



Application Note for the Ericsson MD-110 Serial PIMG Integration

This is an application note for programming the Ericsson MD-110 phone system for a serial MD-110 integration with Cisco Unity Connection using analog PIMG units. For instructions on setting up the PIMG units and creating the integration in Unity Connection, see the [Setting Up a Serial \(SMDI, MCI, or MD-110\) PIMG Integration with Cisco Unity Connection](#) chapter.

- [Application Note for the Ericsson MD-110 Serial PIMG Integration, on page 1](#)

Application Note for the Ericsson MD-110 Serial PIMG Integration

Introduction

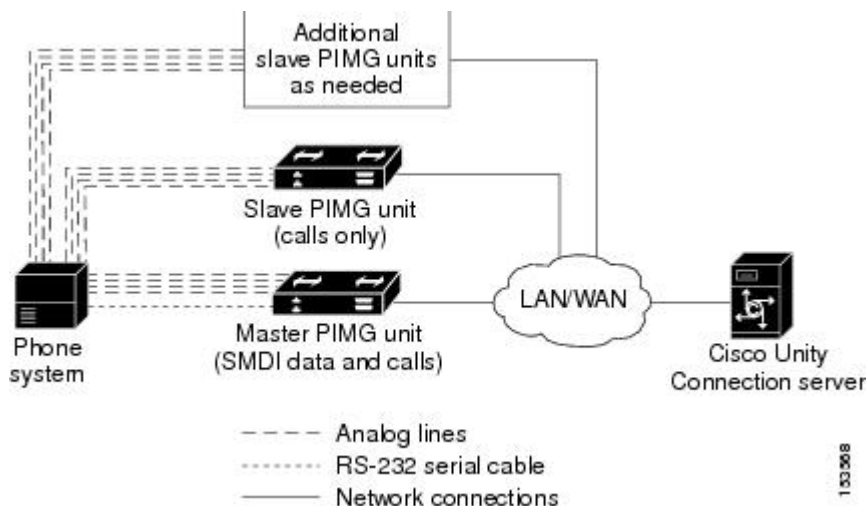
This is an application note for programming the Ericsson MD-110 phone system for a serial MD-110 integration with Cisco Unity Connection using analog PIMG units. For instructions on setting up the PIMG units and creating the integration in Unity Connection, see the [Setting Up a Serial \(SMDI, MCI, or MD-110\) PIMG Integration with Cisco Unity Connection](#) chapter.

Network Topology

Figure B-1 shows the required connections for a serial MD-110 integration using analog PIMG units.

For more information about this integration, see [Chapter 1, “Introduction.”](#)

Figure 1: Figure B-1 Connections for a Serial MD-110 Integration by Using Analog PIMG Units



Requirements

The Ericsson MD-110 phone system met the following requirements:

- The Ericsson MD-110 phone system.
- Software level BC6 or later.

Programming Ericsson MD-110 Phone System for Serial Integration

The following programming instructions are provided as an example of a functioning integration. The specific programming for your phone system may vary depending on its configuration.



Caution

In programming the phone system, do not send calls to voice messaging ports in Unity Connection that cannot answer calls (voice messaging ports that are not set to Answer Calls). For example, if a voice messaging port is set only to Perform Message Notification, do not send calls to it.

1. Check the software version on the phone system and the country variant that is configured. This information may be useful for troubleshooting problems with the integration. For example:

```
<cadap;                               ==> Check the software version and Country variant
CALENDAR DATA
```

```
IDENTITY=ACM1
VERSION=CXP1010101/4/TSWSP02/R3A ==> 01 == Standard Application
```

2. Configure the analog extensions for the voice messaging ports similarly to the following example:

```
<excap:dir=1063&1064;                 ==> print analog extension
EXTENSION CATEGORY FIELDS
```

```
DIR      TRAF      SERV      CDIV      ROC      TRM      ADC      BSEC
```

```

1063      00151515  0201120600  000151000  000001    0          010001701  0
1064      00151515  0201120600  000151000  000001    0          010001701  0

```

3. Configure the hunt group number for the voice messaging ports on the PIMG units similarly to the following example:

```

<vmfup:grp=all;                               ==> print VM HuntGroup number
VOICE MAIL GROUP DATA
GRP      IFCIND
4500     1

```

4. Associate the voice messaging port extensions with the hunt group number similarly to the following example:

```

<vmfup:dir=all;                               ==> print VM port DN associated with the HuntGroup
number
VOICE MAIL PORT DATA
DIR      PORT      IFCIND
1063     1063      1
1064     1064      1

```

5. Configure the voice mail function information similarly to the following:

```

<vmfup:ifcind=1;                             ==> print VM function information
VOICE MAIL FUNCTION DATA
IFCIND   VMF      POFMT
1        EXTN3   4

```

6. Configure the I/O device interface for voice mail similarly to the following:

```

<ioddp;                                       ==> print I/O Device interface
I/O DEVICE DATA
NODE      IODEV/SUBFS      BPOS/EQU      I/O-BUS TYPE/USAGE      STATUS      AUTH
SYSN      V-MAIL          001-0-60-3    -             OUT         IN SERVICE

```

7. Configure the I/O device function for voice mail similarly to the following example:

```

<iofdp;                                       ==> print I/O Device Function
I/O FUNCTIONS DEFINITION
IODEV      TRD          NDC          CALLS WAIT DELAY SUPER
V-MAIL     BOTH          -            2      30      5  YES

```

8. Configure the serial connection parameters for voice mail similarly to the following example:

```

<ioifp;                                       ==> print I/O Device serial interface parameters VM
I/O INTERFACE CHARACTERISTICS
IODEV      IFACE      BAUDR      WORDL  PARITY  STPBIT  PROC
SYSTEMINAL V24          ALL        8      NONE   1      ECHO
V-MAIL     V24          9600      8      NONE   1      ECHO

```

9. Configure MWIs to be sent over the serial cable similarly to the following example:

```

<icmwp:sid=1;                                ==> print MWI ext using on serial interface
INFORMATION COMPUTER MESSAGE WAITING DATA
SID  DTXT          KFCN  DIG
1    4500          MWC   4500

```

10. Configure the filler information similarly to the following example:

```

<ICFUP:ifcind=1;                               ==> print the filler information
INFORMATION COMPUTER COMMON FUNCTIONS DATA

MESSAGE WAITING FUNCTIONALITY IS ALL

INFORMATION COMPUTER EQUIPMENT DATA

IFCIND  IODEV          EQU          RATE  DFMT  UPDFCN  PARITY  CCHECK
1       V-MAIL                FILLER=48  ICEXG=NONE  USER=NONE

```

11. Configure the hookflash timer similarly to the following example:

```

<aspap:parnum=253;                             ==> print Hookflash timer
APPLICATION SYSTEM PARAMETERS
PARNUM   PARVAL
   253   110

```

12. Configure the on-hook timer similarly to the following example:

```

<aspap:parnum=252;                             ==> print On-hook timer
APPLICATION SYSTEM PARAMETERS
PARNUM   PARVAL
   252   225

```