



# APPENDIX **A**

## Cable and Power Cord Specifications

Revised Date: March 4, 2011

This appendix provides Cisco MXE 3500 V1 and V2 cabling and port specifications for control devices and power connections and includes the following sections:

- [KVM Cable, page A-1](#)
- [Supported Power Cords and Plugs, page A-2](#)

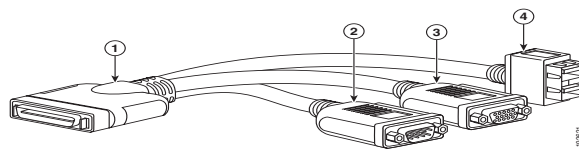
### KVM Cable

The KVM cable provides a connection into the server, providing a DB9 serial connector, a VGA connector for a monitor, and dual USB ports for a keyboard and mouse. With this cable, you can create a direct connection to the operating system and the BIOS running on the server.

This server supports the following Cisco components and part numbers.

Supported Components	Part Number
KVM cable	37-1016-01

**Figure A-1** KVM Cable



<b>1</b>	Connector to server	<b>2</b>	DB9 serial connector
<b>3</b>	VGA connection for a monitor	<b>4</b>	Two-port USB connector for a mouse and keyboard

# Supported Power Cords and Plugs

Each power supply has a separate power cord. Standard power cords or jumper power cords are available for connection to a power distribution unit that has IEC 60320 C19 outlet receptacles. The jumper power cords, for use in racks, are available as an optional alternative to the standard power cords. For more information, contact Cisco technical support.

The standard power cords have an IEC C19 connector on the end that plugs into the Power Distribution Unit (PDU), which is located in the bottom slot at the rear of the chassis. The optional jumper power cords have an IEC C19 connector on the end that plugs into the chassis' PDU and an IEC C20 connector on the end that plugs into an IEC C19 outlet receptacle.


**Note**

Only the approved power cords or jumper power cords provided with the server are supported.

Table A-1 lists the power cords for the power supplies.

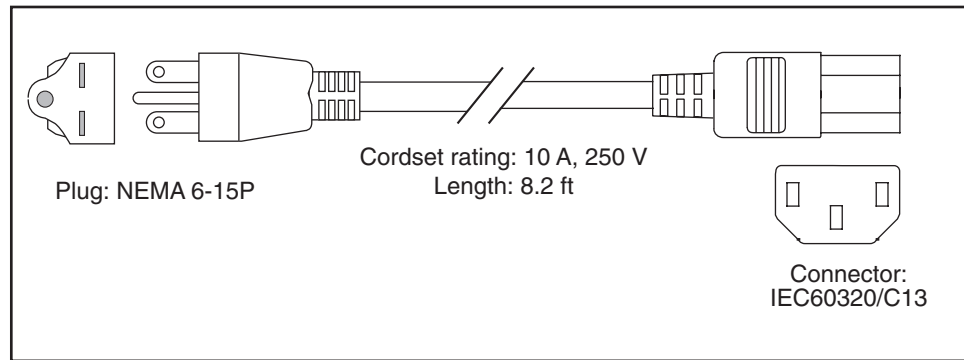
**Table A-1** Power Cords for the Server

Cable Type	Power Cord Reference Illustration	Length	
		Feet	Meters
CAB-N5K6A-NA Power Cord, 250 VAC 13 A NEMA 6-15 Plug, North America	<a href="#">Figure A-2</a>	8.2	2.5
CAB-AC-250V/13A Power Cord, 250 VAC 13 A IEC60320 Plug North America	<a href="#">Figure A-3</a>	6.6	2.0
CAB-9K12A-NA Power Cord, 125VAC 15A NEMA 5-15 Plug, North America  <b>Note</b> Cisco MXE 3500 V2 does not support this cable.	<a href="#">Figure A-4</a>	8.2	2.5
CAB-C13-C14-JMPR Cabinet Jumper Power Cord, 250 VAC 13 A, C13-C14 Connectors	<a href="#">Figure A-5</a>	2.2	0.7
SFS-250V-10A-AR Power Cord, 250 VAC 10 A IRAM 2073 Plug Argentina	<a href="#">Figure A-6</a>	8.2	2.5
CAB-9K10A-AU 250 VAC 10 A 3112 Plug, Australia	<a href="#">Figure A-7</a>	8.2	2.5
SFS-250V-10A-CN Power Cord, 250 VAC 10 A GB 2009 Plug China	<a href="#">Figure A-8</a>	8.2	2.5
CAB-9K10A-EU Power Cord, 250 VAC 10 A M 2511 Plug Europe	<a href="#">Figure A-9</a>	8.2	2.5

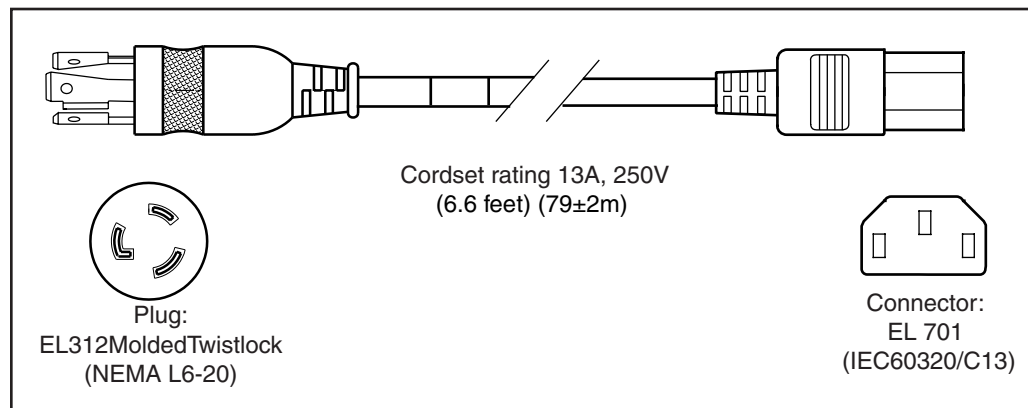
**Table A-1 Power Cords for the Server (continued)**

Cable Type	Power Cord Reference Illustration	Length	
		Feet	Meters
SFS-250V-10A-ID Power Cord, 250 VAC 16A EL-208 Plug South Africa, United Arab Emirates, India	Figure A-10	8.2	2.5
SFS-250V-10A-IS Power Cord, 250 VAC 10 A SI32 Plug Israel	Figure A-11	8.2	2.5
CAB-9K10A-IT Power Cord, 250 VAC 10 A CEI 23-16 Plug Italy	Figure A-12	8.2	2.5
CAB-9K10A-SW Power Cord, 250 VAC 10 A MP232 Plug Switzerland	Figure A-13	8.2	2.5
CAB-9K10A-UK Power Cord, 250 VAC 10 A BS1363 Plug (13 A fuse) United Kingdom	Figure A-14	8.2	2.5

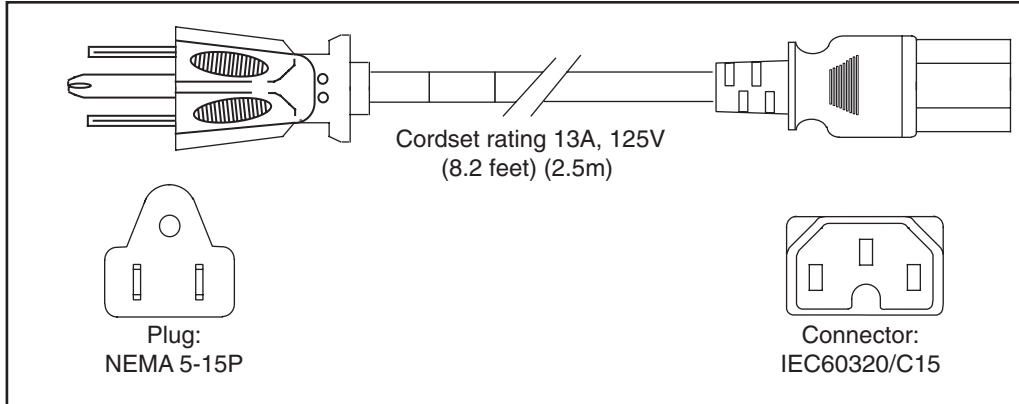
**Figure A-2 CAB-N5K6A-NA Power Cord**



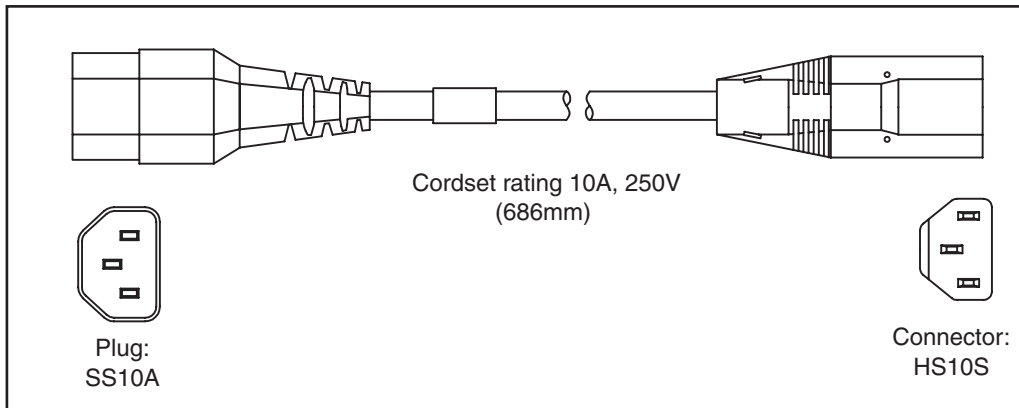
**Figure A-3 CAB-AC-250V/13A Power Cord**



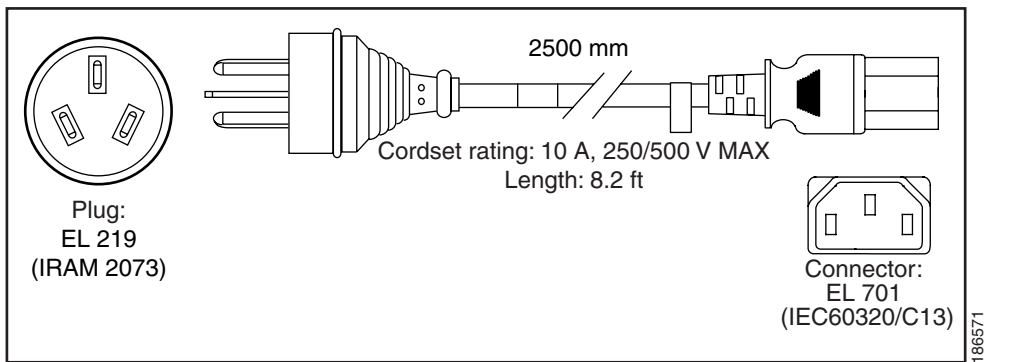
**Figure A-4 CAB-9K12A-NA Power Cord**



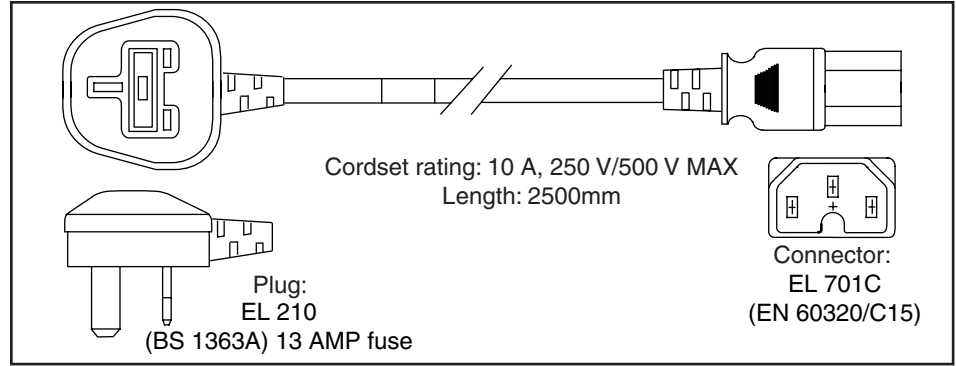
**Figure A-5 CAB-C13-C14-JMPR Power Cord**



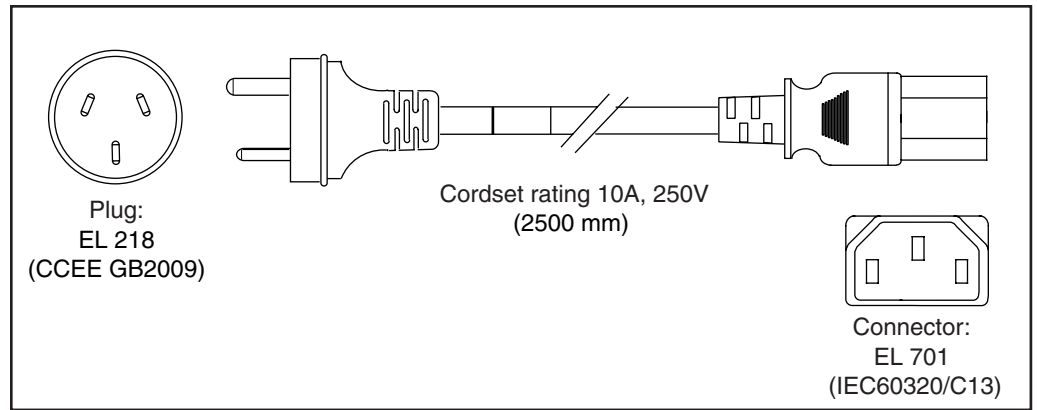
**Figure A-6 SFS-250V-10A-AR Power Cord**



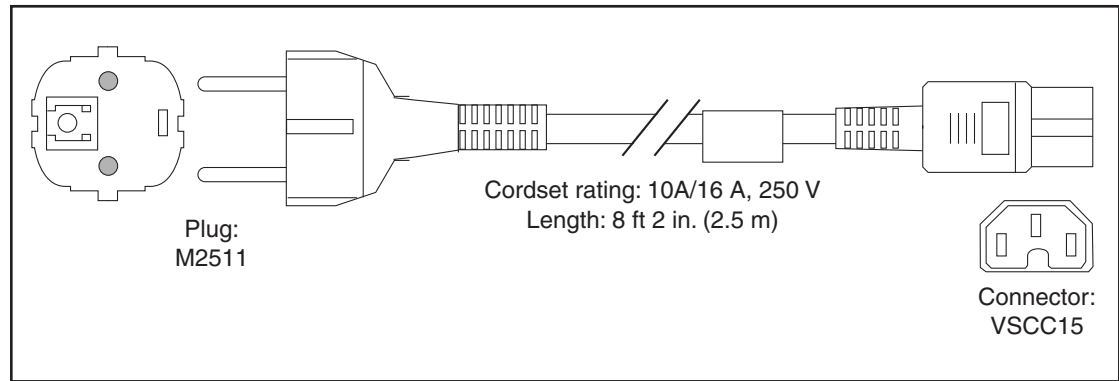
**Figure A-7 CAB-9K10A-AU Power Cord**



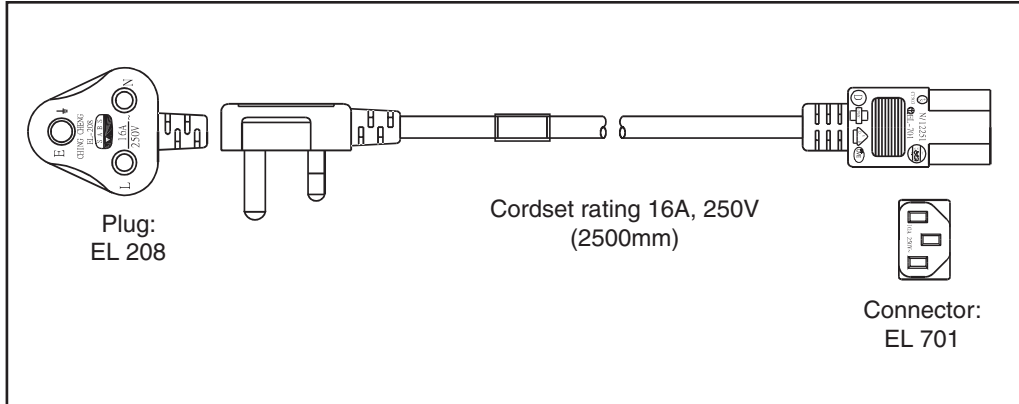
**Figure A-8 SFS-250V-10A-CN Power Cord**



**Figure A-9 CAB-9K10A-EU Power Cord**

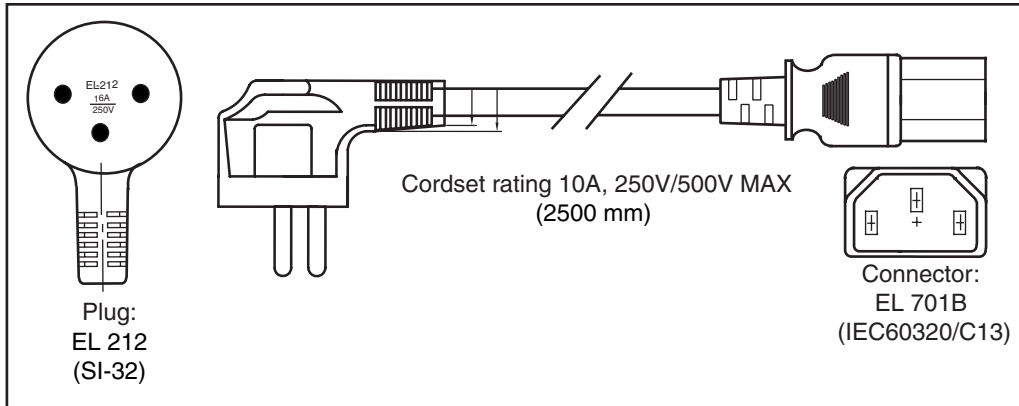


**Figure A-10 SFS-250V-10A-ID Power Cord**



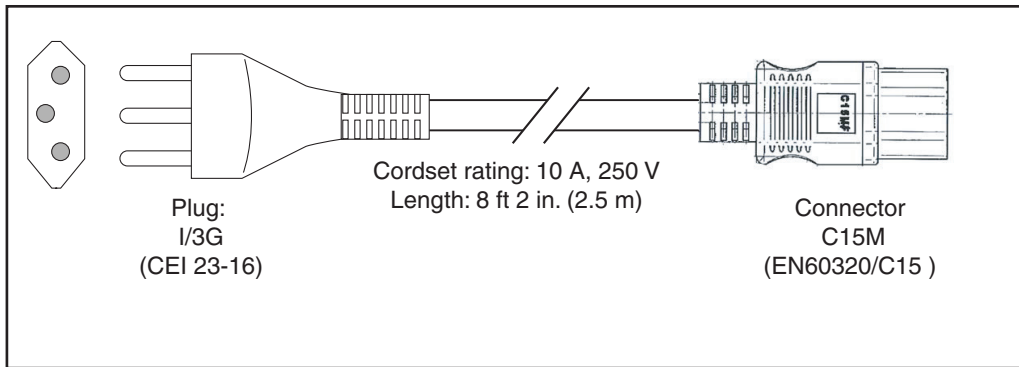
187490

**Figure A-11 SFS-250V-10A-IS Power Cord**



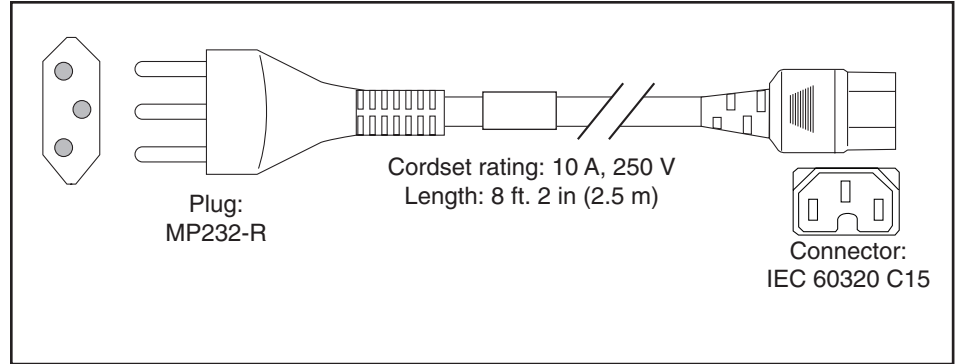
186574

**Figure A-12 CAB-9K10A-IT Power Cord**



186575

**Figure A-13 CAB-9K10A-SW Power Cord**



**Figure A-14 CAB-9K10A-UK Power Cord**

