



Power Cord Specifications

This appendix provides supported power cable specifications.

This appendix contains the following sections:

- [Supported Power Cords and Plugs, page C-1](#)

Supported Power Cords and Plugs

Each power supply has a separate power cord. Standard power cords or jumper power cords are available for connection to the server. The jumper power cords, for use in racks, are available as an optional alternative to the standard power cords.



Note

Only the approved power cords or jumper power cords provided with the server are supported.

[Table C-1](#) lists the power cords for the server power supplies.

Table C-1 Supported Power Cords for the Server

Description	Length		Power Cord Reference Illustration
	Feet	Meters	
SFS-250V-10A-AR Power Cord, 250 VAC 10 A IRAM 2073 Plug Argentina	8.2	2.5	Figure C-1
CAB-9K10A-AU 250 VAC 10 A 3112 Plug, Australia	8.2	2.5	Figure C-2
SFS-250V-10A-CN Power Cord, 250 VAC 10 A GB 2009 Plug China	8.2	2.5	Figure C-3
CAB-9K10A-EU Power Cord, 250 VAC 10 A M 2511 Plug Europe	8.2	2.5	Figure C-4
SFS-250V-10A-ID Power Cord, 250 VAC 16A EL-208 Plug South Africa, United Arab Emirates, India	8.2	2.5	Figure C-5

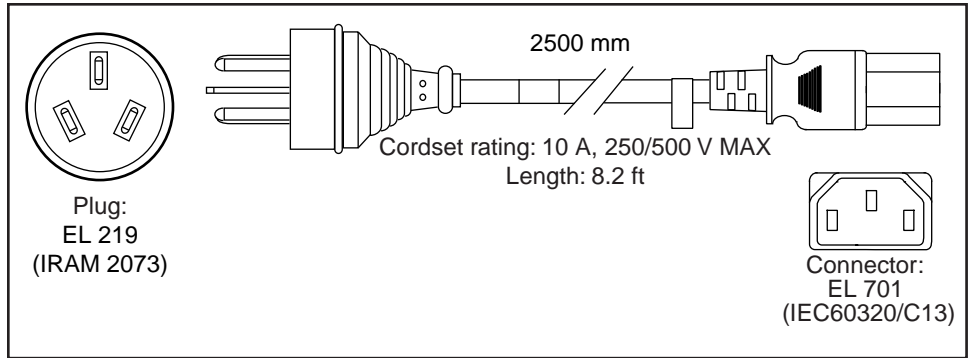
Table C-1 Supported Power Cords for the Server (continued)

Description	Length		Power Cord Reference Illustration
	Feet	Meters	
SFS-250V-10A-IS Power Cord, 250 VAC 10 A SI32 Plug Israel	8.2	2.5	Figure C-6
CAB-9K10A-IT Power Cord, 250 VAC 10 A CEI 23-16 Plug Italy	8.2	2.5	Figure C-7
CAB-9K10A-SW Power Cord, 250 VAC 10 A MP232 Plug Switzerland	8.2	2.5	Figure C-8
CAB-9K10A-UK Power Cord, 250 VAC 10 A BS1363 Plug (13 A fuse) United Kingdom	8.2	2.5	Figure C-9
CAB-AC-250V/13A Power Cord, 250 VAC 13 A IEC60320 Plug North America	6.6	2.0	Figure C-10
CAB-N5K6A-NA Power Cord, 250 VAC 13 A NEMA 6-15 Plug, North America	8.2	2.5	Figure C-11
CAB-9K12A-NA Power cord, 125 VAC, 13 A, NEMA 5-15 Plug North America	8.2	2.5	Figure C-12
CAB-C13-CBN Cabinet Jumper Power Cord, 250 VAC 10 A, C13-C14 Connectors	2.2	0.68	Figure C-13
CAB-C13-C14-2M Cabinet Jumper Power Cord, 250 VAC 10 A, C13-C14 Connectors	6.6	2.0	Figure C-14
CAB-C13-C14-AC Cabinet Jumper Power Cord, 250 VAC 10 A, C13-C14 Connectors	9.8	3.0	Figure C-15
CAB-JPN-3PIN Power Cord 3PIN Japan	7.9	2.4	Figure C-16
CAB-AC-L620-C13 AC Power Cord, NEMA L6-20 - C13	6.5	2.0	Figure C-17
CAB-250V-10A-CN AC Power Cord - 250V, 10A - PRC	8.2	2.5	Figure C-18
CAB-250V-10A-BR Power Cord - 250V, 10A - Brazil	7	2.1	Figure C-19

AC Power Cord Illustrations

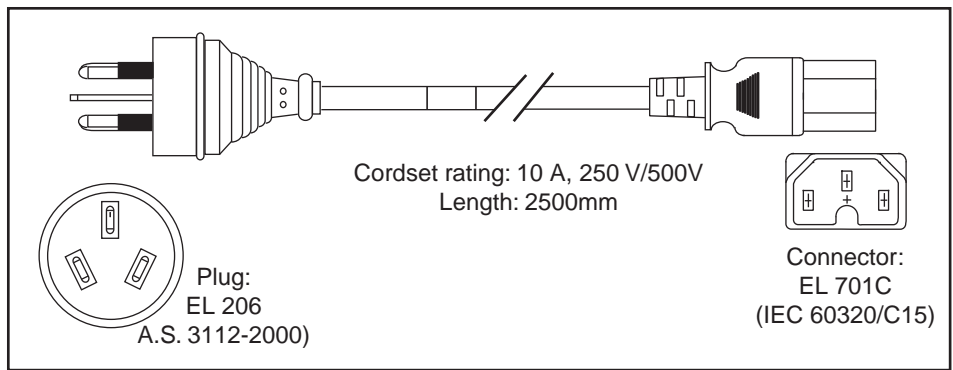
This section includes the AC power cord illustrations. See [Figure C-1](#) through [Figure C-15](#).

Figure C-1 *SFS-250V-10A-AR*



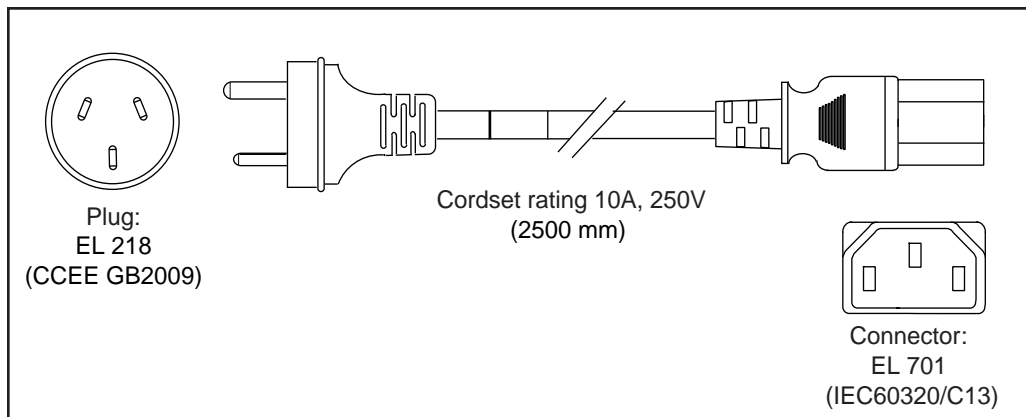
186571

Figure C-2 *CAB-9K10A-AU*



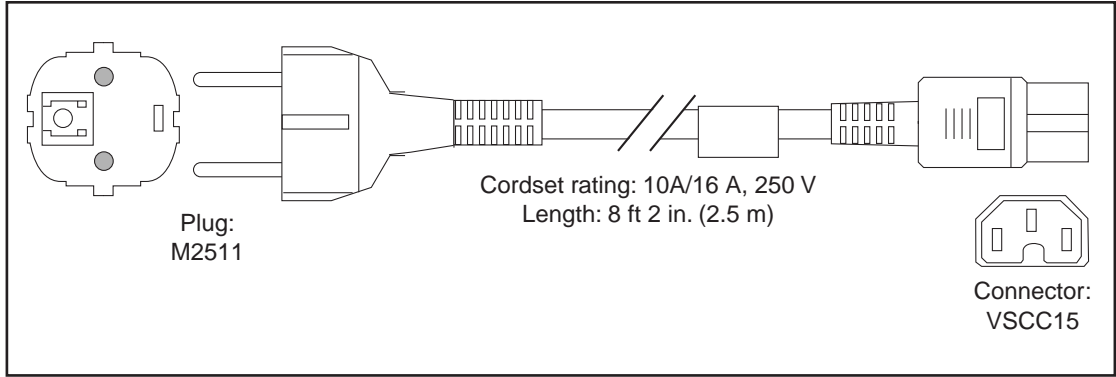
186581

Figure C-3 *SFS-250V-10A-CN*



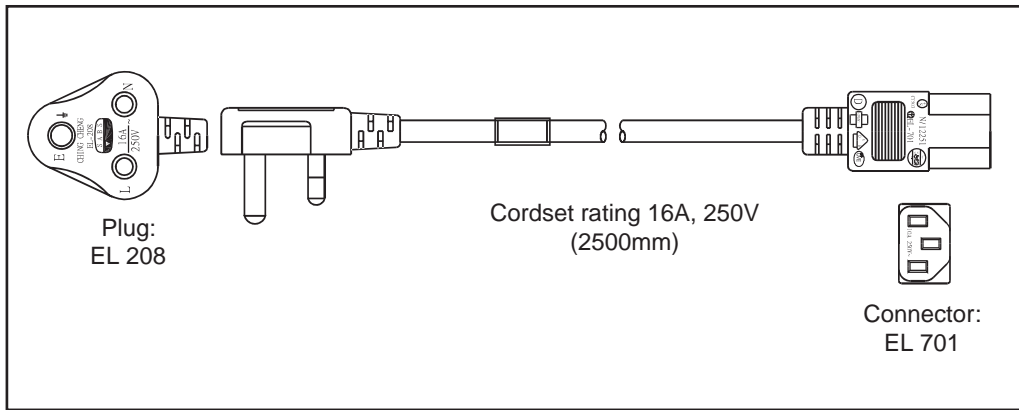
186573

Figure C-4 CAB-9K10A-EU



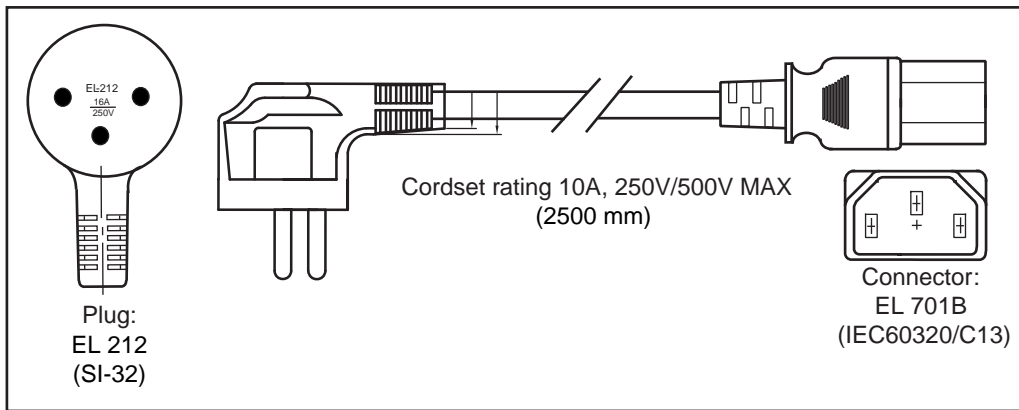
186576

Figure C-5 SFS-250V-10A-ID



187490

Figure C-6 SFS-250V-10A-IS



186574

Figure C-7 CAB-9K10A-IT

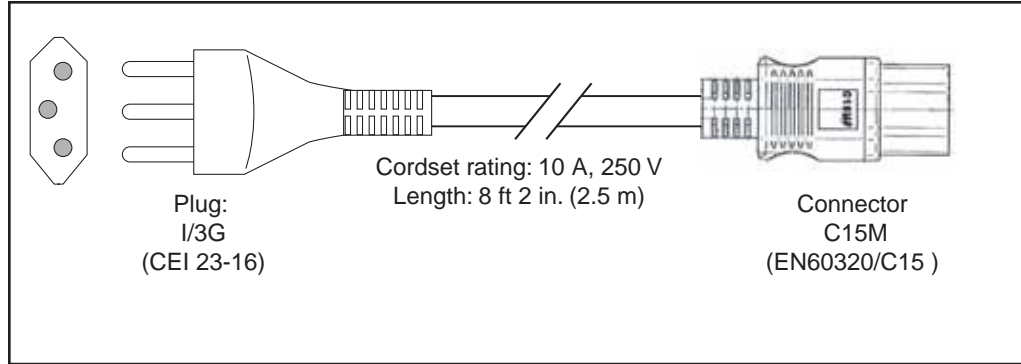


Figure C-8 CAB-9K10A-SW

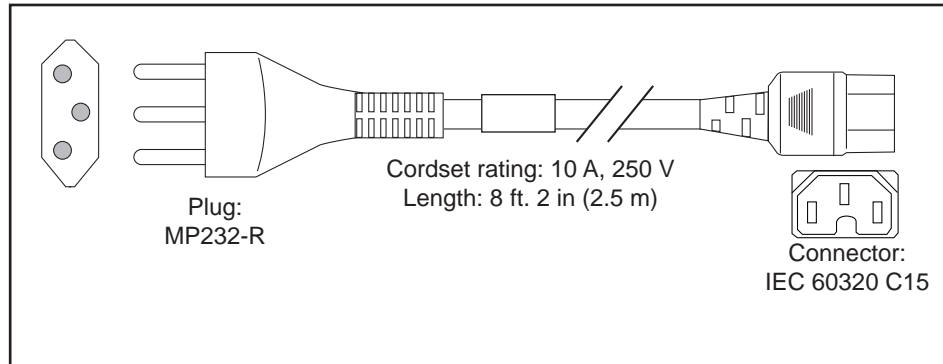


Figure C-9 CAB-9K10A-UK

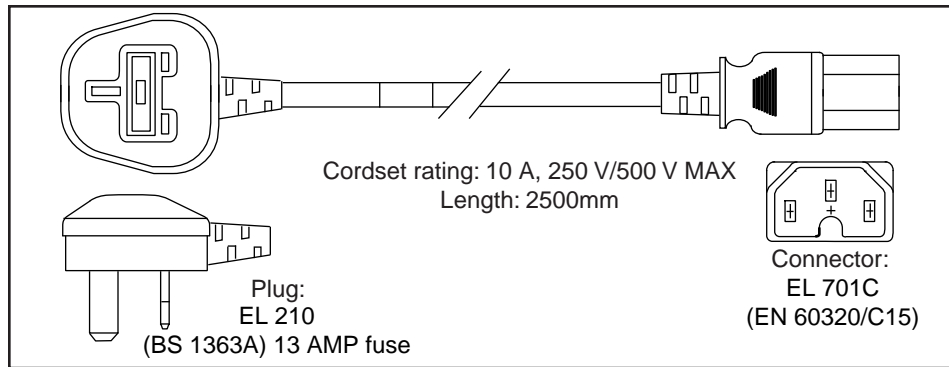


Figure C-10 CAB-AC-250V/13A

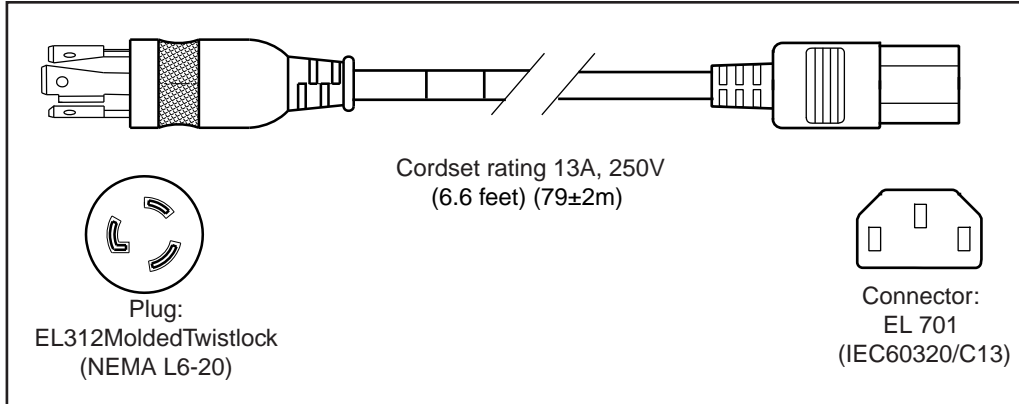


Figure C-11 CAB-N5K6A-NA

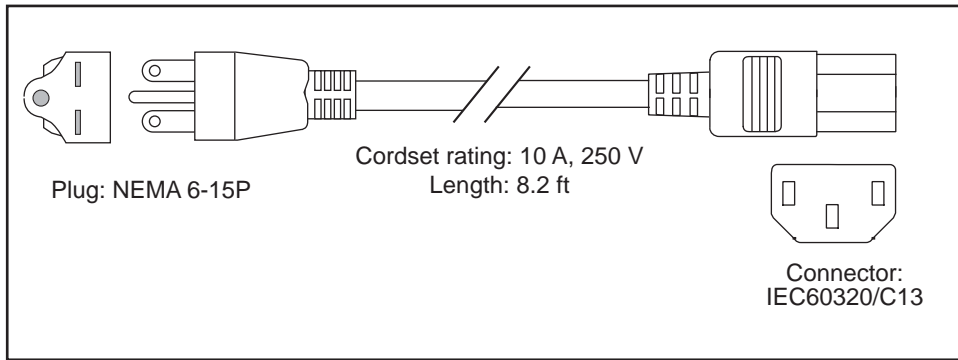


Figure C-12 CAB-9K12A-NA

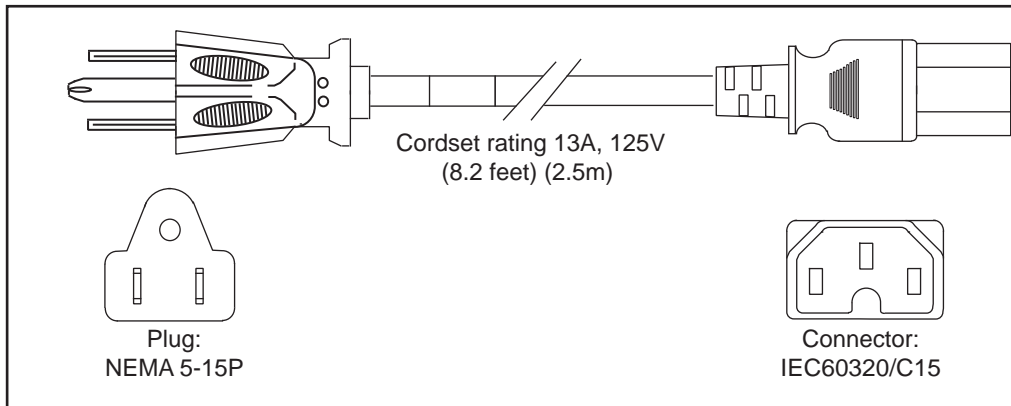


Figure C-13 CAB-C13-CBN, Jumper Power Cord (0.68 m)

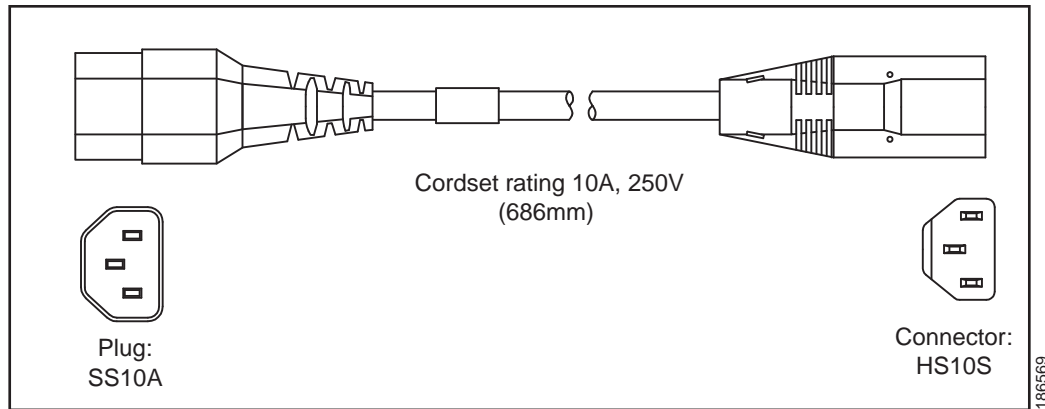


Figure C-14 CAB-C13-C14-2M, Jumper Power Cord (2 m)

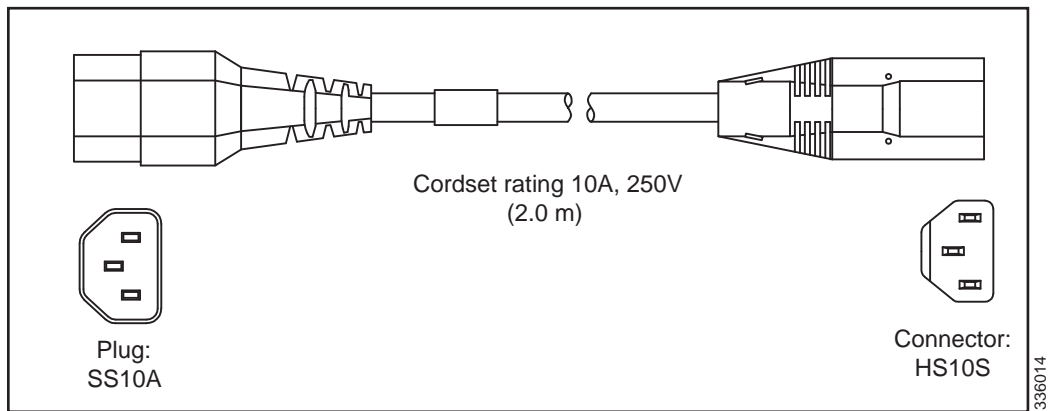


Figure C-15 CAB-C13-C14-AC, Jumper Power Cord (3 m)

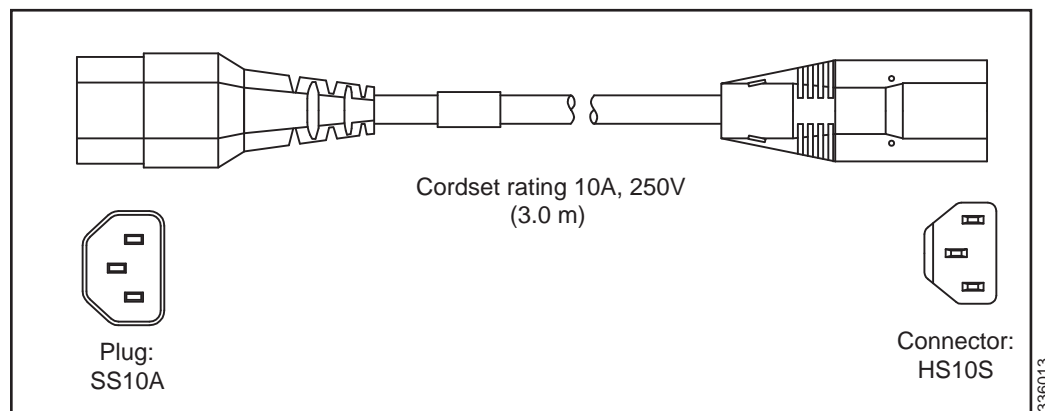


Figure C-16 CAB-JPN-3PIN, Power Cord 3PIN, Japan

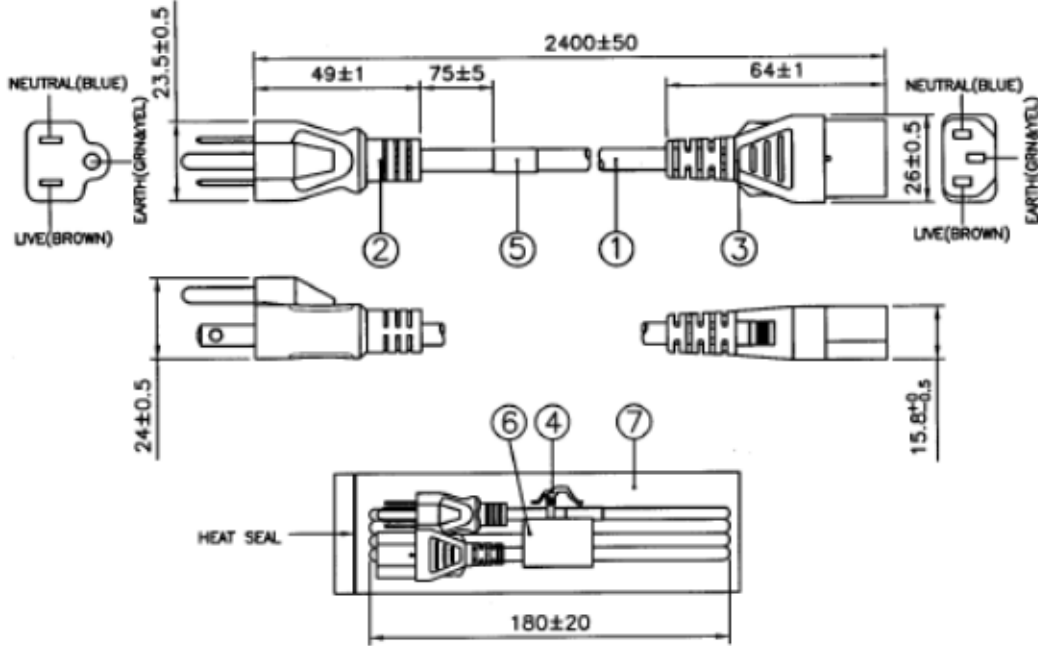


Figure C-17 CAB-AC-L620-C13, AC Power Cord, NEMA L6-20 - C13 (2 m)

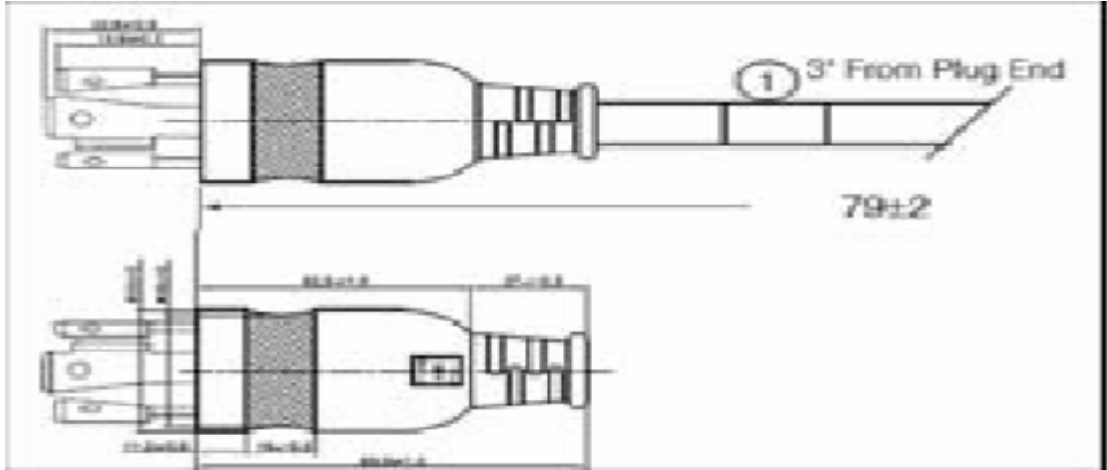


Figure C-18 CAB-250V-10A-CN, AC Power Cord

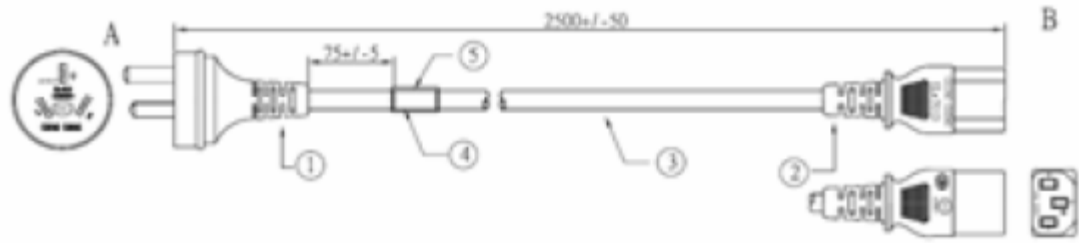


Figure C-19 CAB-250V-10A-BR

