



System Requirements

- [System Requirements Overview, on page 1](#)
- [Hardware Requirements, on page 1](#)
- [Browser Requirements, on page 2](#)
- [Port Requirements, on page 2](#)

System Requirements Overview

The following minimum hardware, browser, and port requirements must be met prior to Cisco UCS Manager initial configuration.

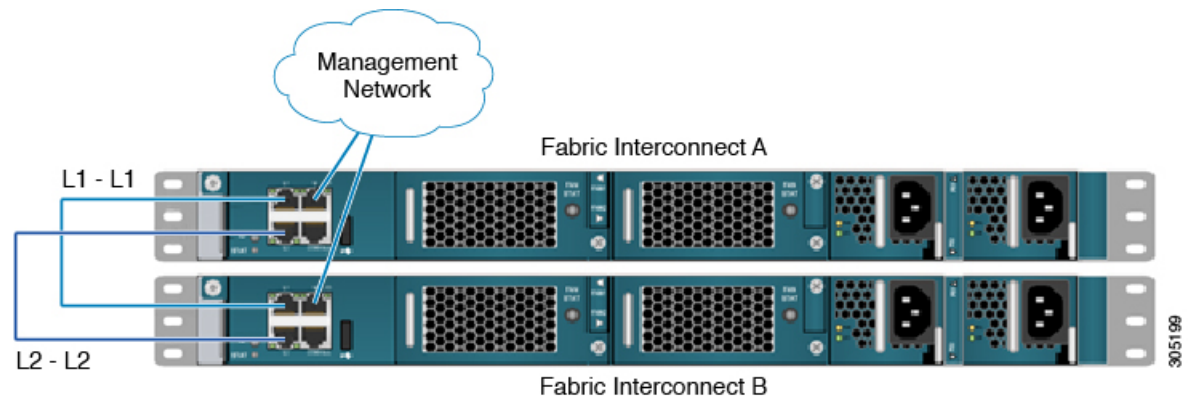
Hardware Requirements

Before you set up Cisco UCS Manager, make sure that the following physical cabling requirements are met:



Note The Cisco UCS Fabric Interconnects act as the concentration point for all cabling to and from the Blade Server Chassis. The following diagram shows the Cisco UCS Fabric Interconnects Cluster Connectivity.

Figure 1: Cisco UCS Fabric Interconnects Physical Cable Connectivity



- Connect the two fabric interconnects using the integrated ports labeled L1 and L2. These ports are used for replication of cluster information between the two fabric interconnects, not for the forwarding of data traffic.
- The management Ethernet ports of each fabric interconnect to the out-of-band Ethernet management network or Ethernet segment where they can be accessed for overall administration of the system.
- Populate each blade chassis with two fabric extenders (I/O modules) to provide connectivity back to the fabric interconnects.
- From the Blade Server Chassis, connect one I/O module to the first fabric interconnect. Connect the second I/O module to the second fabric interconnect. After you have configured the fabric interconnects, they will be designated as "A" and "B" fabric interconnects.



Note You can connect the I/O modules to the fabric interconnects by using one, two, four, or eight cables per module. For system resiliency and throughput, it is recommended that you use a minimum of two connections per I/O module

Browser Requirements

To use Cisco UCS Manager your computer must meet or exceed the following minimum browser requirements:

- Cisco UCS Manager uses web start and supports the following web browsers:
 - Microsoft Internet Explorer 11 or higher
 - Mozilla Firefox 45 or higher
 - Google Chrome 57 or higher
 - Apple Safari version 9 or higher
 - Opera version 35 or higher



Important HTML-5 UI supports one user session per browser.

Port Requirements

Hardware and Software Requirements

Cisco UCS 6300 Series Fabric Interconnects support port configuration with Cisco UCS Manager 3.1 and later releases.

Port Channel Requirements

The ports with the same speed can be configured in a port channel. A port channel cannot have both breakout and regular ports due to the difference in the speed.

