



Ports

This appendix contains the following sections:

- [Cisco UCS Director TCP and UDP Port Usage, on page 1](#)
- [Port List, on page 3](#)
- [Multi-Node Port Requirements, on page 4](#)

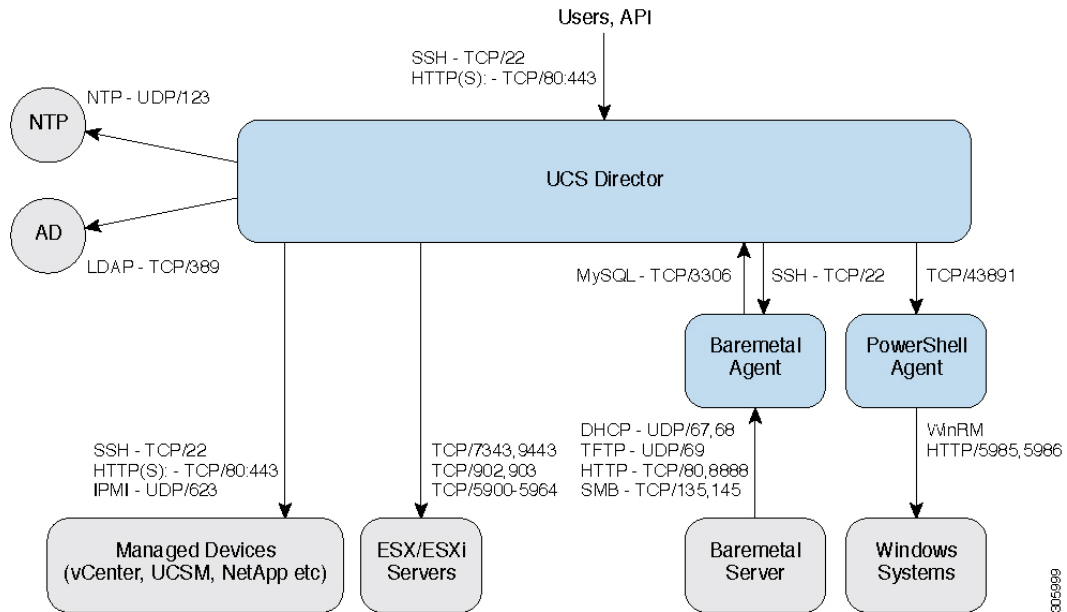
Cisco UCS Director TCP and UDP Port Usage

This section provides a list of the TCP and UDP ports that Cisco UCS Director uses for connections and communications with external applications or devices. The port usage depends upon whether you have deployed Cisco UCS Director on VMware vSphere or Microsoft Hyper-V.

Cisco UCS Director TCP and UDP Port Usage on VMware vSphere

The following figure shows the network ports used for communication between the Cisco UCS Director appliance and managed devices, ESX servers, Bare Metal Agent, PowerShell Agent, NTP, and Active Directory for an installation on VMware vSphere.

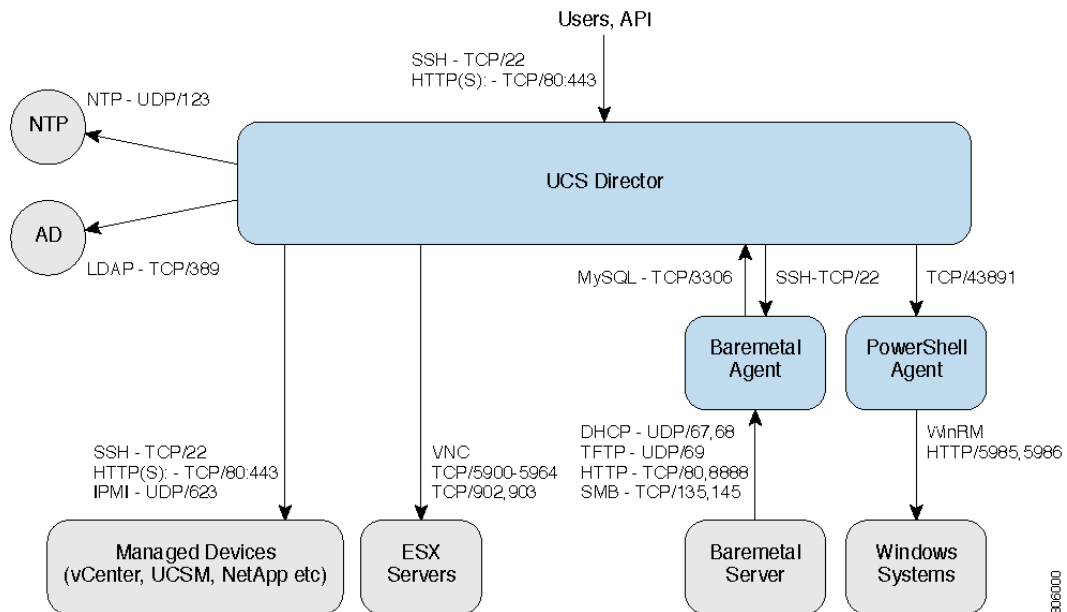
Figure 1: Cisco UCS Director TCP and UDP Port Usage



Cisco UCS Director TCP and UDP Port Usage on Microsoft Hyper-V

The following figure shows the network ports used for communication between the Cisco UCS Director appliance and managed devices, ESX servers, Bare Metal Agent, PowerShell Agent, NTP, and Active Directory for an installation on Microsoft Hyper-V.

Figure 2: Cisco UCS Director TCP and UDP Port Usage



Port List

Default Port	Protocol	Description
22	TCP	SSH
80	TCP/UDP	HTTP
69	TFTP	TFTP for Cisco UCS Director Bare Metal Agent
443	UDP	HTTPS
27000/7279/8082 (Mgmt)	TCP	Citrix licensing
2598/1494/2112/2513	TCP	Virtual Desktop Agent for Desktops
67/68	UDP	DHCP
389/636 3268/3269	TCP/UDP TCP	Active Directory
53	TCP/UDP	DNS
123	TCP/UDP	NTP
3306	TCP/UDP	MySQL
8787/5900-5964	TCP	Cisco UCS Director + VNC Connectivity
3389	TCP/UDP	Cisco UCS Director + RDP Connectivity
80/443/8080	TCP/UDP	Cisco UCS Director + NetApp Connectivity
80/443	UDP	Cisco UCS Director + Cisco UCS Manager Connectivity
80/443	UDP	Cisco UCS Director + vCenter Connectivity
3389	TCP/UDP	RDP
135/445	TCP	SMB/RPC
88	TCP/UDP	Kerberos
137	TCP/UDP	NetBIOS Name (nbname)
138	TCP/UDP	NetBIOS datagram (nbdatagram)
139	TCP	NetBIOS session (nbssession)
80/443	UDP	Desktop Delivery Controller <--> vCenter
8080 through ICA	TCP	Desktop Delivery Controller <--> Virtual Desktops
1494/2598/2512/2513	TCP	Users (Citrix Recvr) <--> Virtual Desktops

Default Port	Protocol	Description
389/636 (LDAP Ports)	TCP/UDP	Desktop Delivery Controller <--> Active Directory
389/636, 3268/3269, 53	TCP/UDP	Virtual Desktops <--> Active Directory + DNS
5985/5986	TCP	PowerShell Agent <--> Xendesktop through WinRM
43891	TCP/UDP	Cisco UCS Director <--> PowerShell Agent
80/8081	TCP	XenApp
902	TCP	VMwareESXi host management and VM customization and to execute VIX tasks
903	TCP	VMwareESXi host management and VM customization and to execute VIX tasks (for VMware vCenter releases prior to 5.0)
9443	TCP	VMware vSphere Web Client HTTPS (to access HTML5 based VM console in vCenter 6.0 and above)
7343	TCP	VMware vSphere Web Client - HTML5 Remote Console, HTTPS (vCenter 5.5 Update 2 and later)

Multi-Node Port Requirements

The ports listed in [Cisco UCS Director TCP and UDP Port Usage, on page 1](#) are applicable for both single and multi-node setups.

For a multi-node setup, the following port must be opened between the nodes:

- From the primary nodes to database nodes: port 3306