



Overview

This chapter contains the following sections:

- [Cisco R-Series Racks, on page 1](#)
- [Cisco RP-Series Power Distribution Units, on page 3](#)

Cisco R-Series Racks

The Cisco R42612 R-Series rack is a 19-inch, 42U, industry standard EIA-310-D rack that is optimized for the integrated Cisco Unified Computing System (UCS). It supports all Cisco UCS blade, rack, and storage servers. Three versions of the rack are available for single-rack or multiple-rack UCS deployments:

- RACK2-UCS is the expansion rack that has no side panels
- RACK2-UCS2 is the standard rack that has side panels
- RACK2-UCS2-INT is the dynamic rack that has side panels

The design of the rack delivers power, cooling, and cable management features along with the strength and stability required in today's rack enclosures. In addition, the Cisco R42612 rack provides the highest level of reliability, structural integrity, and security for mission-critical environments.

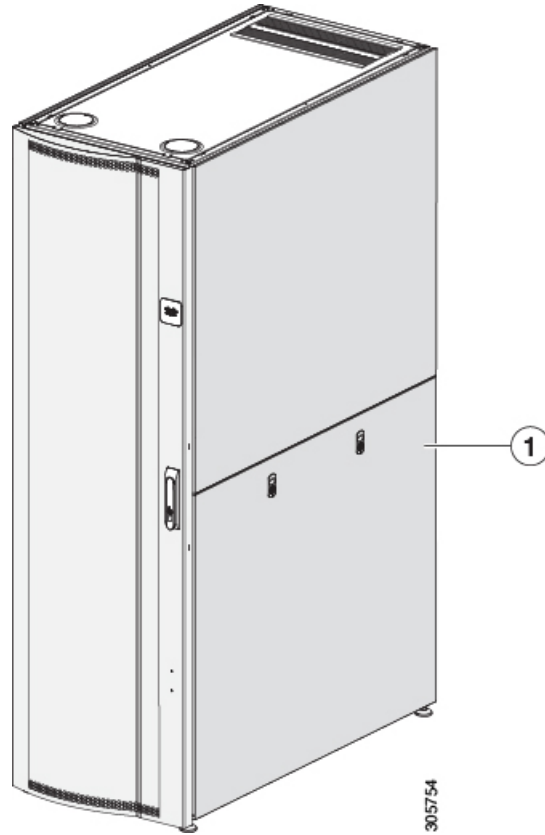
Features of the Cisco R42612 rack include the following:

- Front and rear doors are perforated to maximize air flow. Locks are included for added security. The doors also feature tool-less removal for convenient servicing. Split rear doors minimize the clearance required at the rear of the rack, and the adjustable front door can swing from right to left or from left to right.
- Lightweight, two-piece side panels are easy to install and remove, and locks provide extra security.
- The ventilated top canopy has cable access cutouts and a large cable access opening with a brush insert that ensures proper airflow.
- Integrated PDU trays enable tool-less mounting for the zero-RU Cisco RP-Series PDUs.
- Front and back stabilizer brackets are included with the racks.
- A joining kit is available to connect adjacent expansion racks within a row.
- Casters permit mobility if needed.

- RU markings on all rack rails simplify equipment installation.

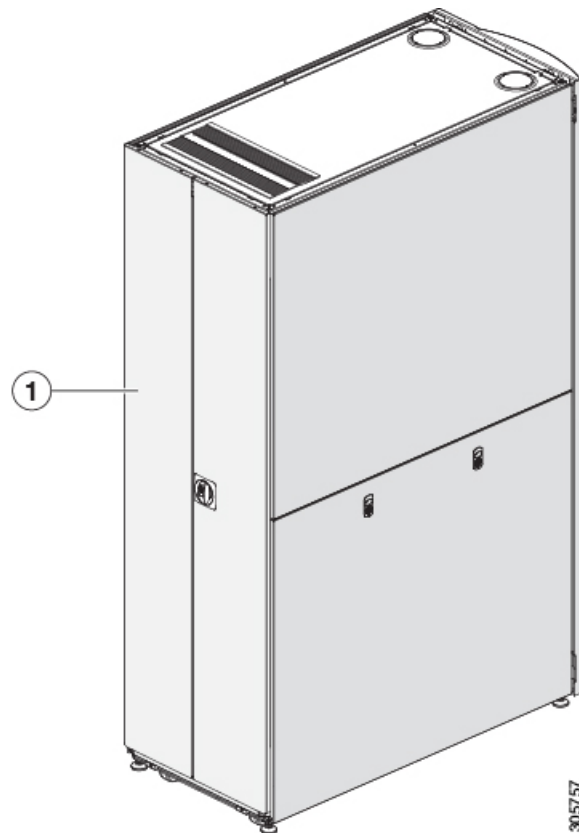
The following figures show the front and back of the standard Cisco R42612 R-Series rack.

Figure 1: Front of the Cisco R42612 Rack



1	Front view of the standard Cisco R42612 R-Series Rack
----------	---

Figure 2: Back of the Cisco R42612 Rack



1	Rear view of the standard Cisco R42612 R-Series Rack
---	--

Cisco RP-Series Power Distribution Units

Cisco RP-Series Power Distribution Units (PDUs) offer flexible, reliable, easy-to-deploy power distribution with branch circuit protection. The PDUs come in various form factors, both 1RU and 0RU, and include metered and monitored models, and single-phase and three-phase models.

Cisco RP-Series 0RU PDU models are simple to install using pre-installed tool-less mounting screws that fit into key holes in the PDU trays. The flush profile of the 0RU PDUs also improves serviceability of the equipment installed in the rack.

The 0RU PDUs have color-coded outlet sections that match a corresponding circuit breaker, making it easy to identify which circuit breaker feeds which outlet. The branch circuit color coding also simplifies load balancing.

Outlet grip retention ensures that plugs stay securely in place and prevents disconnection due to bumps or vibrations.

For detailed information about all supported Cisco RP-Series PDUs, see [PDU Specifications](#).

