



Product Overview

This chapter contains the following sections:

- [Cisco Embedded Service 9300 Series Switches Overview, on page 1](#)
- [Audience, on page 2](#)
- [General Description, on page 2](#)
- [Board Layout and Dimensions, on page 3](#)

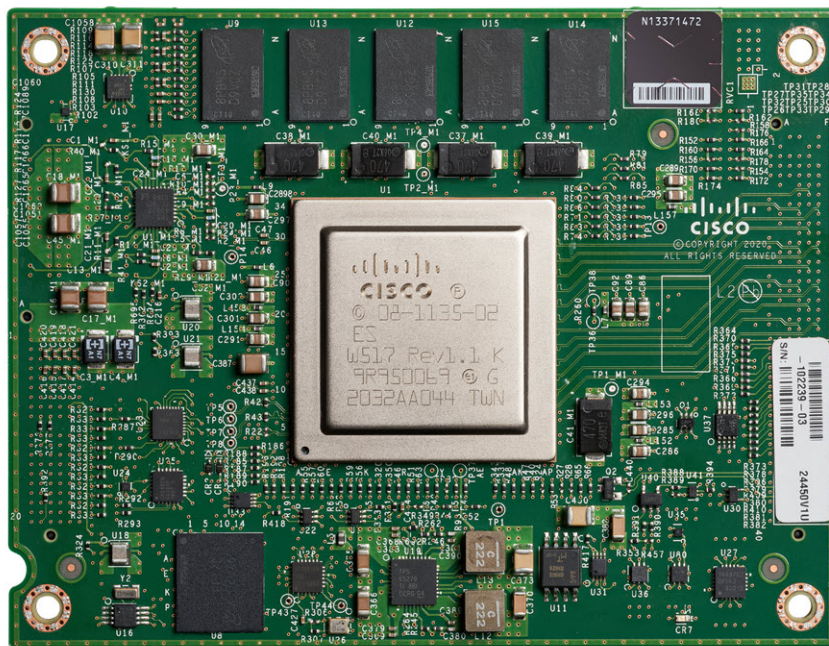
Cisco Embedded Service 9300 Series Switches Overview

This hardware technical guide provides a product description, specifications, and compliance information for the Cisco Embedded Service 9300 Series Switches.



Note The documentation set for this product strives to use bias-free language. For purposes of this documentation set, bias-free is defined as language that does not imply discrimination based on age, disability, gender, racial identity, ethnic identity, sexual orientation, socioeconomic status, and intersectionality. Exceptions may be present in the documentation due to language that is hardcoded in the user interfaces of the product software, language used based on RFP documentation, or language that is used by a referenced third-party product.

The Cisco ESS 9300 is a Small Form Factor (SFF) embedded Ethernet switch card. The compact design simplifies integration and offers the system integrator the ability to use the Cisco ESS 9300 in a wide variety of applications. The Cisco ESS 9300 consists of one switch card. There are no cooling plates sold with it. It is up to the system integrator to design a thermal solution. The ESS-9300-10X-E board supports up to 10 ports of 10 GE fiber. Thermal power is 35 Watts.



Note Refer to the [Cisco ESS 9300 data sheet](#) for a complete list of available product IDs.

Audience

This guide is for the system integrator who is integrating the Cisco ESS 9300 into a custom end product.

General Description

The ESS-9300 is a ruggedized 10GigE Embedded platform for tactical, outdoor, and mobile installations. Some of the key hardware features are:

- Small Form Factor
- 10 Optical 10G
- Software: IOS-XE, Network Essentials and Network Advantage
- Industrial temperature: -40°C to +85°C
- ARM Quad-Core A53
- 4GB DDR4 DRAM memory capacity with ECC
- 2.5GB User Accessible Flash
- 3.3V and 5V power input
- Anti-counterfeit chip and Secure Boot

- RTC with customer provided power backup
- Push Button that supports the Zeroize feature
- Two alarm inputs and One alarm output
- Two USB 2.0 Host interface for USB Flash Memory Device, one can be converted to SDHC
- One USB 2.0 Console Interface.
- One RS-232 Console Interface.

Board Layout and Dimensions

The following pictures show the Board Layout. The dimensions are 4.331 in X 3.346 in (110mm X 85mm).

Figure 1: Top View

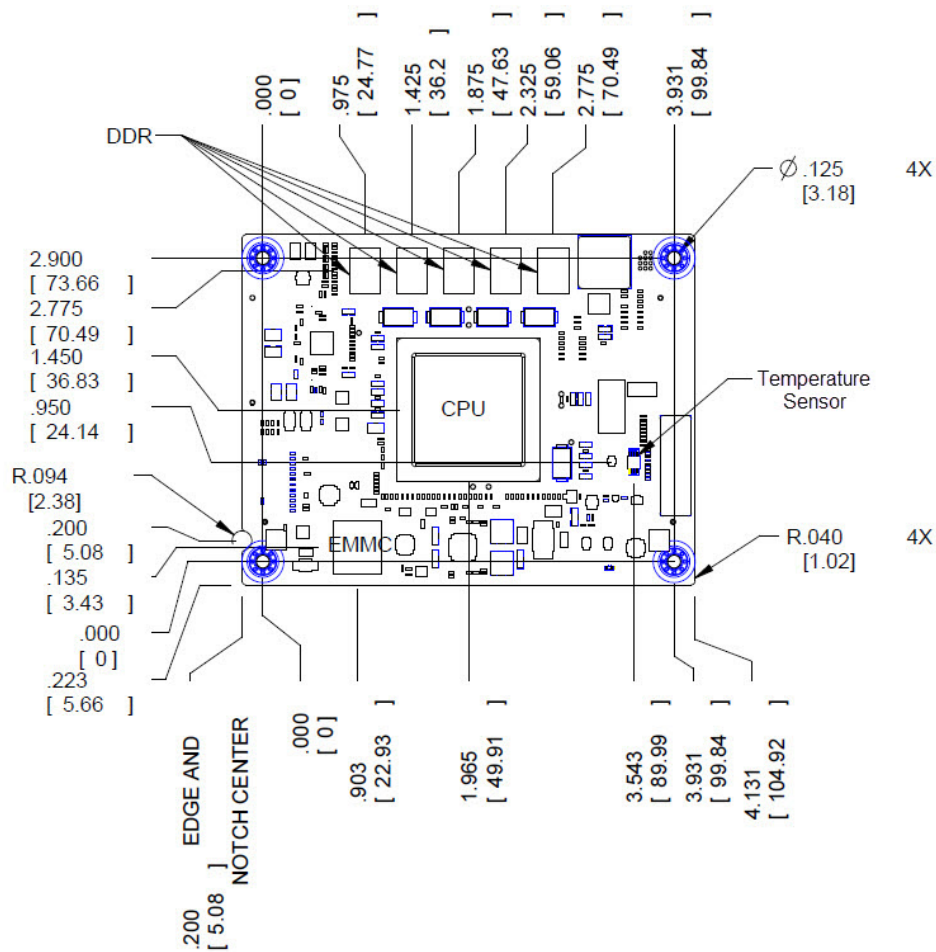


Figure 2: Side View

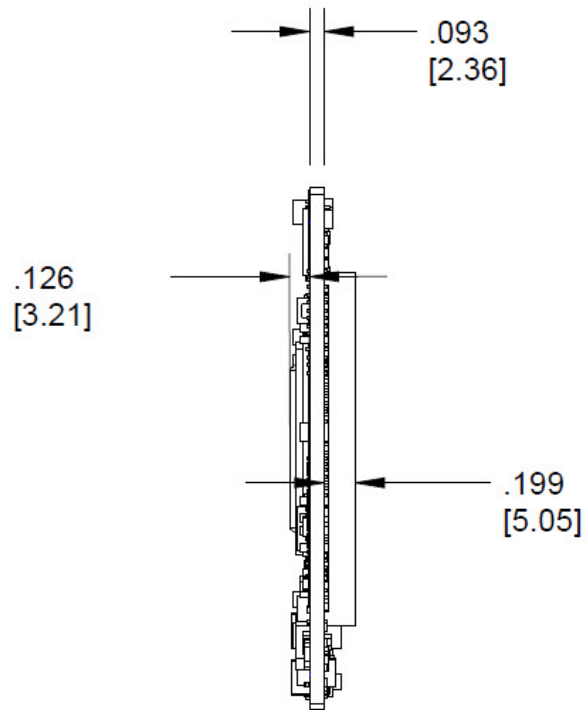


Figure 3: Bottom View

