



Switch Mounting

- [Switch Mounting, on page 1](#)

Switch Mounting

This chapter describes how to mount the switch.

Mounting the Switch



Caution To prevent the switch from overheating, ensure these minimum clearances:– Top and bottom: 2.0 in. (50.8 mm)– Exposed side (not connected to the module): 2.0 in. (50.8 mm) – Front: 2.0 in. (50.8 mm)

Installing the Switch on the Wall

To attach the switch to a wall or a panel, follow these steps.

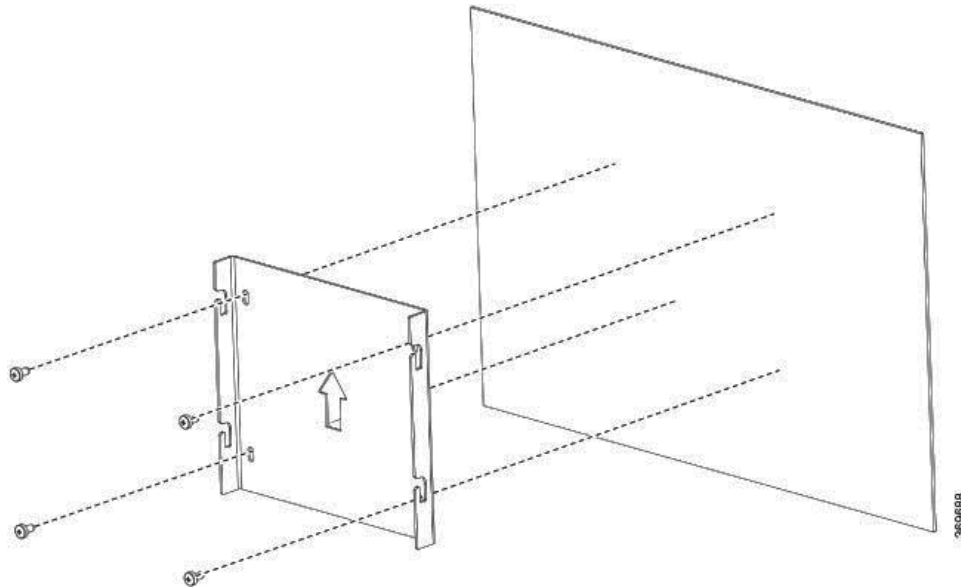


Warning Read the wall-mounting instructions carefully before beginning installation. Failure to use the correct hardware or to follow the correct procedures could result in a hazardous situation to people and damage to the system. Statement 378

Procedure

- Step 1** Position the switch mounting bracket against the wall or a panel in the desired location, with the arrow pointing up. See the following figure. Attach the bracket to the wall with the 4 enclosed Philips screws.

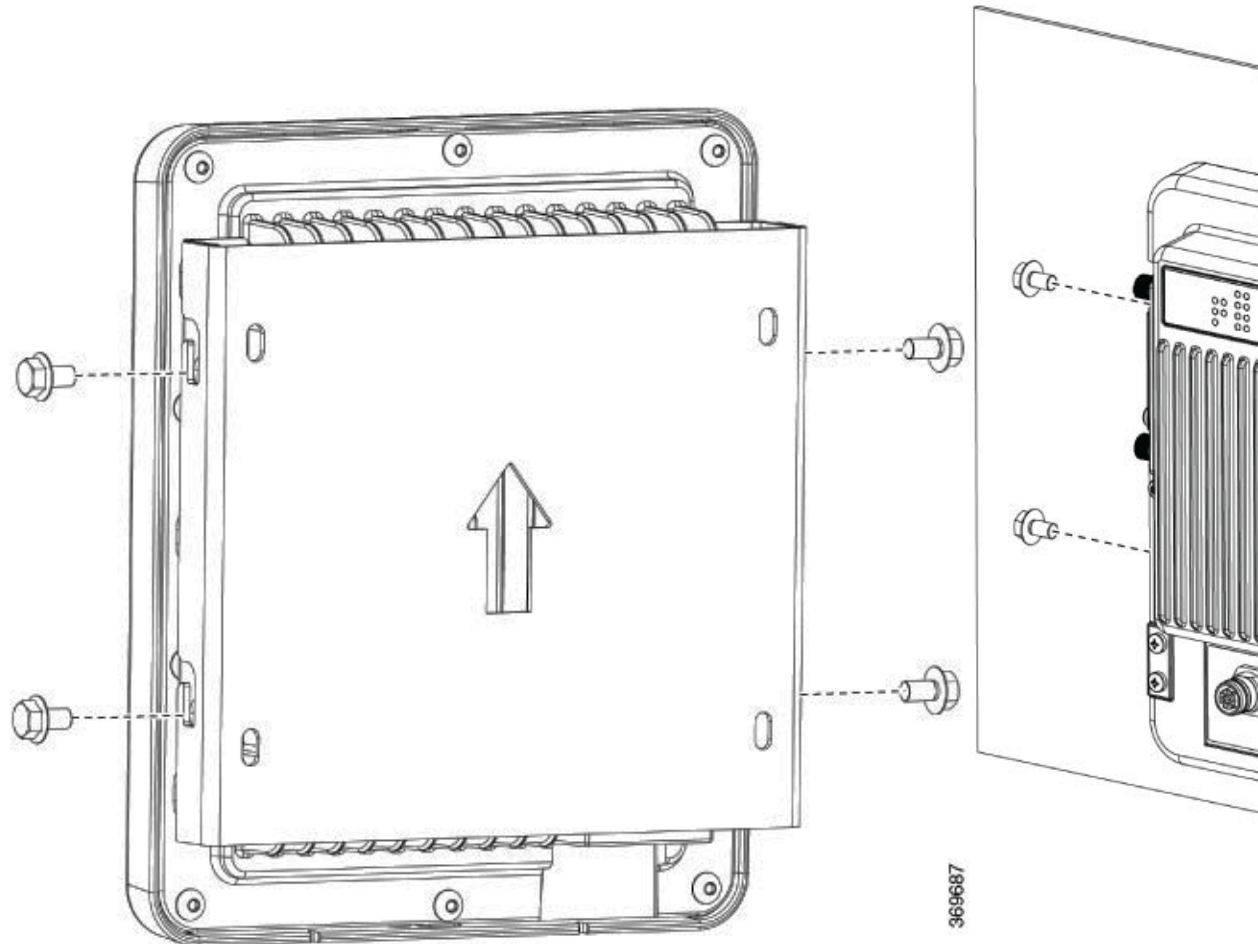
Figure 1: Mounting Wall Bracket to Wall



Note When attaching the bracket to the wall or pannel, ensure that the screws engage a stud or support structure capable of supporting the weight of the bracket and the switch.

Step 2 Loosly attach the 4 mounting screws to the switch and slide it into the bracket and down. See the following figure.

Figure 2: Attaching the Switch to the Mounting Bracket



Step 3 To remove the switch, loosen the 4 mounting screws and slide the switch up and forward, out of the mounting bracket. Then the bracket itself can be unscrewed from the wall, if necessary.

What to do next

After the switch is mounted on the wall or panel, connect the power and alarm wires, as described in the [“Connecting Alarm Circuits”](#) section on page -12 .

