



## **IP Routing Configuration Guide, Cisco IOS XE Cupertino 17.7.x (Catalyst 9500 Switches)**

**First Published:** 2021-12-07

### **Americas Headquarters**

Cisco Systems, Inc.  
170 West Tasman Drive  
San Jose, CA 95134-1706  
USA  
<http://www.cisco.com>  
Tel: 408 526-4000  
800 553-NETS (6387)  
Fax: 408 527-0883

THE SPECIFICATIONS AND INFORMATION REGARDING THE PRODUCTS IN THIS MANUAL ARE SUBJECT TO CHANGE WITHOUT NOTICE. ALL STATEMENTS, INFORMATION, AND RECOMMENDATIONS IN THIS MANUAL ARE BELIEVED TO BE ACCURATE BUT ARE PRESENTED WITHOUT WARRANTY OF ANY KIND, EXPRESS OR IMPLIED. USERS MUST TAKE FULL RESPONSIBILITY FOR THEIR APPLICATION OF ANY PRODUCTS.

THE SOFTWARE LICENSE AND LIMITED WARRANTY FOR THE ACCOMPANYING PRODUCT ARE SET FORTH IN THE INFORMATION PACKET THAT SHIPPED WITH THE PRODUCT AND ARE INCORPORATED HEREIN BY THIS REFERENCE. IF YOU ARE UNABLE TO LOCATE THE SOFTWARE LICENSE OR LIMITED WARRANTY, CONTACT YOUR CISCO REPRESENTATIVE FOR A COPY.

The Cisco implementation of TCP header compression is an adaptation of a program developed by the University of California, Berkeley (UCB) as part of UCB's public domain version of the UNIX operating system. All rights reserved. Copyright © 1981, Regents of the University of California.

NOTWITHSTANDING ANY OTHER WARRANTY HEREIN, ALL DOCUMENT FILES AND SOFTWARE OF THESE SUPPLIERS ARE PROVIDED "AS IS" WITH ALL FAULTS. CISCO AND THE ABOVE-NAMED SUPPLIERS DISCLAIM ALL WARRANTIES, EXPRESSED OR IMPLIED, INCLUDING, WITHOUT LIMITATION, THOSE OF MERCHANTABILITY, FITNESS FOR A PARTICULAR PURPOSE AND NON-INFRINGEMENT OR ARISING FROM A COURSE OF DEALING, USAGE, OR TRADE PRACTICE.

IN NO EVENT SHALL CISCO OR ITS SUPPLIERS BE LIABLE FOR ANY INDIRECT, SPECIAL, CONSEQUENTIAL, OR INCIDENTAL DAMAGES, INCLUDING, WITHOUT LIMITATION, LOST PROFITS OR LOSS OR DAMAGE TO DATA ARISING OUT OF THE USE OR INABILITY TO USE THIS MANUAL, EVEN IF CISCO OR ITS SUPPLIERS HAVE BEEN ADVISED OF THE POSSIBILITY OF SUCH DAMAGES.

Any Internet Protocol (IP) addresses and phone numbers used in this document are not intended to be actual addresses and phone numbers. Any examples, command display output, network topology diagrams, and other figures included in the document are shown for illustrative purposes only. Any use of actual IP addresses or phone numbers in illustrative content is unintentional and coincidental.

All printed copies and duplicate soft copies of this document are considered uncontrolled. See the current online version for the latest version.

Cisco has more than 200 offices worldwide. Addresses and phone numbers are listed on the Cisco website at [www.cisco.com/go/offices](http://www.cisco.com/go/offices).

The documentation set for this product strives to use bias-free language. For purposes of this documentation set, bias-free is defined as language that does not imply discrimination based on age, disability, gender, racial identity, ethnic identity, sexual orientation, socioeconomic status, and intersectionality. Exceptions may be present in the documentation due to language that is hardcoded in the user interfaces of the product software, language used based on standards documentation, or language that is used by a referenced third-party product.

Cisco and the Cisco logo are trademarks or registered trademarks of Cisco and/or its affiliates in the U.S. and other countries. To view a list of Cisco trademarks, go to this URL: <https://www.cisco.com/c/en/us/about/legal/trademarks.html>. Third-party trademarks mentioned are the property of their respective owners. The use of the word partner does not imply a partnership relationship between Cisco and any other company. (1721R)

© 2021 Cisco Systems, Inc. All rights reserved.



## CONTENTS

---

### CHAPTER 1

#### **Configuring Bidirectional Forwarding Detection 1**

Prerequisites for Bidirectional Forwarding Detection	1
Restrictions for Bidirectional Forwarding Detection	1
Information About Bidirectional Forwarding Detection	2
BFD Operation	2
Neighbor Relationships	2
BFD Detection of Failures	3
BFD Version Interoperability	3
BFD Session Limits	3
BFD Support for BGP IPv6 Neighbors	4
BFD Support for GRE IP Tunnel	4
BFD Support for Nonbroadcast Media Interfaces	4
BFD Support for Nonstop Forwarding with Stateful Switchover	4
BFD Support for Stateful Switchover	5
BFD Support for Static Routing	5
Benefits of Using BFD for Failure Detection	6
How to Configure Bidirectional Forwarding Detection	7
Configuring BFD Session Parameters on the Interface	7
Configuring BFD Support for Dynamic Routing Protocols	8
Configuring BFD Support for eBGP	8
Configuring BFD Support for EIGRP	9
Configuring BFD Support for IS-IS	11
Configuring BFD Support for OSPF	14
Configuring BFD Support for HSRP	17
Configuring BFD for BGP IPv6 Neighbors	18
Configuring BFD Support for Static Routing	20

Configuring BFD Echo Mode	22
Prerequisites	23
Restrictions	23
Disabling BFD Echo Mode Without Asymmetry	23
Creating and Configuring BFD Templates	24
Configuring a Single-Hop Template	24
Monitoring and Troubleshooting BFD	24
Monitoring and Troubleshooting BFD	25
Configuration Example: Configuring BFD for a BGP IPv6 Neighbor	25
Feature History for Configuring Bidirectional Forwarding Detection	26

**CHAPTER 2****Configuring BFD Support for EIGRP IPv6 29**

Prerequisites for BFD Support for EIGRP IPv6	29
Restrictions for BFD Support for EIGRP IPv6	29
Information About BFD Support for EIGRP IPv6	29
How to Configure BFD Support for EIGRP IPv6	30
Configuring BFD Support on All Interfaces	30
Configuring BFD Support on an Interface	31
Configuration Examples for BFD Support for EIGRP IPv6	33
Example: Configuring BFD Support on All Interfaces	33
Example: Configuring BFD Support on an Interface	34
Additional References	34
Feature History for Configuring BFD Support for EIGRP IPv6	35

**CHAPTER 3****Configuring BFD Multihop Support for IPv4 Static Routes 37**

Prerequisites for BFD Multihop Support for IPv4 Static Routes	37
Information About BFD Multihop Support for IPv4 Static Routes	37
BFDv4 Associated Mode	37
BFDv4 Unassociated Mode	38
Configuring BFD Multihop IPv4 Static Routes	38
Verifying BFD Multihop Support for IPv4 Static Routes	39
Configuration Examples for BFD Multihop Support for IPv4 Static Routes	39
Example: Configuring BFD Multihop for IPv4 Static Routes in Associated Mode	39
Example: Configuring IPv4 Static Multihop for BFD in Unassociated Mode	40

Additional References for BFD Multihop Support for IPv4 Static Routes	40
Feature History for BFD Multihop Support for IPv4 Static Routes	40

**CHAPTER 4****Configuring MSDP 43**

Information About Configuring MSDP	43
MSDP Overview	43
MSDP Operation	44
MSDP Benefits	45
How to Configure MSDP	46
Default MSDP Configuration	46
Configuring a Default MSDP Peer	46
Caching Source-Active State	48
Requesting Source Information from an MSDP Peer	50
Controlling Source Information that Your Switch Originates	51
Redistributing Sources	51
Filtering Source-Active Request Messages	53
Controlling Source Information that Your Switch Forwards	55
Using a Filter	55
Using TTL to Limit the Multicast Data Sent in SA Messages	57
Controlling Source Information that Your Switch Receives	58
Configuring an MSDP Mesh Group	61
Shutting Down an MSDP Peer	62
Including a Bordering PIM Dense-Mode Region in MSDP	63
Configuring an Originating Address other than the RP Address	64
Monitoring and Maintaining MSDP	66
Configuration Examples for Configuring MSDP	66
Configuring a Default MSDP Peer: Example	67
Caching Source-Active State: Example	67
Requesting Source Information from an MSDP Peer: Example	67
Controlling Source Information that Your Switch Originates: Example	67
Controlling Source Information that Your Switch Forwards: Example	67
Controlling Source Information that Your Switch Receives: Example	68
Feature History for Multicast Source Discovery Protocol	68

**CHAPTER 5**

<b>Configuring IP Unicast Routing</b>	<b>69</b>
Restrictions for IP Unicast Routing	69
Information About Configuring IP Unicast Routing	69
Information About IP Routing	70
Types of Routing	70
Classless Routing	71
Address Resolution	73
Proxy ARP	74
ICMP Router Discovery Protocol	74
UDP Broadcast Packets and Protocols	74
Broadcast Packet Handling	74
IP Broadcast Flooding	75
Configuration Guidelines for IP Routing	76
How to Configure IP Addressing	76
Default IP Addressing Configuration	77
Assigning IP Addresses to Network Interfaces	78
Using Subnet Zero	79
Disabling Classless Routing	80
Configuring Address Resolution Methods	81
Defining a Static ARP Cache	81
Setting ARP Encapsulation	83
Enabling Proxy ARP	84
Routing Assistance When IP Routing is Disabled	85
Proxy ARP	85
Default Gateway	86
ICMP Router Discovery Protocol (IRDP)	87
Configuring Broadcast Packet Handling	89
Enabling Directed Broadcast-to-Physical Broadcast Translation	89
Forwarding UDP Broadcast Packets and Protocols	91
Establishing an IP Broadcast Address	92
Flooding IP Broadcasts	93
How to Configure IP Unicast Routing	94
Enabling IP Unicast Routing	95

What to Do Next	96
Configuration Example: Enabling IP Routing	96
Monitoring and Maintaining IP Addressing	96
Monitoring and Maintaining the IP Network	97
Feature History for IP Unicast Routing	97

---

**CHAPTER 6**
**Configuring IPv6 Unicast Routing 99**

Information About Configuring IPv6 Unicast Routing	99
Understanding IPv6	99
Static Routes for IPv6	100
Path MTU Discovery for IPv6 Unicast	100
ICMPv6	100
Neighbor Discovery	100
IPv6 Router Advertisement Options for DNS Configuration	100
Default Router Preference	101
Policy-Based Routing for IPv6	101
Unsupported IPv6 Unicast Routing Features	102
IPv6 Feature Limitations	102
IPv6 and Switch Stacks	102
Default IPv6 Configuration	103
How to Configure IPv6 Unicast Routing	103
Configuring IPv6 Addressing and Enabling IPv6 Routing	103
Configuring IPv4 and IPv6 Protocol Stacks	107
Configuring Recursive DNS Server (RDNSS)	108
Configuring Default Router Preference	109
Configuring IPv6 ICMP Rate Limiting	110
Configuring Cisco Express Forwarding and distributed Cisco Express Forwarding for IPv6	111
Configuring Static Routing for IPv6	112
Enabling IPv6 PBR on an Interface	114
Enabling Local PBR for IPv6	115
Displaying IPv6	116
Configuration Examples for IPv6 Unicast Routing	117
Example: Configuring IPv4 and IPv6 Protocol Stacks	117
Example: Configuring RDNSS	117

Example: Configuring DNSSSL	117
Example: Configuring Default Router Preference	118
Example: Configuring IPv6 ICMP Rate Limiting	118
Example: Configuring Static Routing for IPv6	118
Example: Enabling PBR on an Interface	118
Example: Enabling Local PBR for IPv6	119
Example: Displaying IPv6	119
Additional References	119
Feature History for IPv6 Unicast Routing	120

**CHAPTER 7****Configuring RIP 121**

Information About RIP	121
RIP for IPv6	121
Summary Addresses and Split Horizon	122
How to Configure Routing Information Protocol	122
Default RIP Configuration	122
Configuring Basic RIP Parameters	123
Configuring RIP Authentication	125
Configuring RIP for IPv6	126
Configuring Summary Addresses and Split Horizon	128
Configuring Split Horizon	130
Configuration Examples for Routing Information Protocol	131
Configuration Example for Summary Addresses and Split Horizon	131
Example: Configuring RIP for IPv6	132
Feature History for Routing Information Protocol	132

**CHAPTER 8****Configuring OSPF 133**

Information About OSPF	133
OSPF for IPv6	134
OSPF Nonstop Forwarding	134
OSPF NSF Awareness	134
OSPF NSF Capability	134
OSPF Area Parameters	134
Other OSPF Parameters	135



LSA Group Pacing	136
Loopback Interfaces	136
How to Configure OSPF	136
Default OSPF Configuration	136
Configuring Basic OSPF Parameters	137
Configuring OSPF for IPv6	139
Configuring OSPF Interfaces	141
Configuring OSPF Area Parameters	144
Configuring Other OSPF Parameters	146
Changing LSA Group Pacing	148
Configuring a Loopback Interface	149
Monitoring OSPF	150
Configuration Examples for OSPF	151
Configuration Examples for OSPF	151
Example: Configuring Basic OSPF Parameters	151
Feature History for Open Shortest Path First	151

**CHAPTER 9****Configuring OSPF NSR 153**

Restrictions for OSPF Nonstop Routing	153
Information About OSPF Nonstop Routing	153
How to Configure OSPF Nonstop Routing	154
Configuring OSPF Nonstop Routing	154
Configuration Examples for OSPF Nonstop Routing	155
Example: Configuring OSPF Nonstop Routing	155
Feature History for OSPF Nonstop Routing	155

**CHAPTER 10****Configuring OSPFv3 NSR 157**

Information About OSPFv3 Nonstop Routing	157
How to Configure OSPFv3 Nonstop Routing	158
Configuring OSPFv3 Nonstop Routing	158
Enabling OSPFv3 Nonstop Routing for an Address Family	158
Disabling OSPFv3 Nonstop Routing for an Address Family	159
Configuration Examples for OSPFv3 Nonstop Routing	160
Example: Configuring OSPFv3 Nonstop Routing	160

Example: Verifying OSPFv3 Nonstop Routing Status	162
Troubleshooting Tips	162
Additional References	163
Feature History for OSPFv3 Nonstop Routing	164
<hr/>	
<b>CHAPTER 11</b>	<b>Configuring OSPFv2 Loop-Free Alternate IP Fast Reroute 165</b>
Prerequisites for OSPFv2 Loop-Free Alternate IP Fast Reroute	165
Restrictions for OSPFv2 Loop-Free Alternate IP Fast Reroute	165
Information About OSPFv2 Loop-Free Alternate IP Fast Reroute	166
LFA Repair Paths	166
LFA Repair Path Attributes	166
Shared Risk Link Groups	167
Interface Protection	167
Broadcast Interface Protection	167
Node Protection	167
Downstream Path	167
Line-Card Disjoint Interfaces	167
Metric	168
Equal-Cost Multipath Primary Paths	168
Candidate Repair-Path Lists	168
How to Configure OSPFv2 Loop-Free Alternate IP Fast Reroute	168
Enabling Per-Prefix OSPFv2 Loop-Free Alternate IP Fast Reroute	168
Specifying Prefixes to Be Protected by LFA IP FRR	169
Configuring a Repair Path Selection Policy	170
Creating a List of Repair Paths Considered	171
Prohibiting an Interface from Being Used as the Next Hop	171
Configuration Examples for OSPFv2 Loop-Free Alternate IP Fast Reroute	172
Example: Enabling Per-Prefix LFA IP FRR	172
Example: Specifying Prefix-Protection Priority	172
Example: Configuring Repair-Path Selection Policy	172
Example: Auditing Repair-Path Selection	173
Example: Prohibiting an Interface from Being a Protecting Interface	173
Feature History for OSPFv2 Loop-Free Alternate IP Fast	173

---

<b>CHAPTER 12</b>	<b>Configuring OSPFv3 Fast Convergence - LSA and SPF Throttling</b>	<b>175</b>
	Information About OSPFv3 Fast Convergence: LSA and SPF Throttling	175
	How to Configure OSPFv3 Fast Convergence: LSA and SPF Throttling	175
	Tuning LSA and SPF Timers for OSPFv3 Fast Convergence	175
	Configuring LSA and SPF Throttling for OSPFv3 Fast Convergence	176
	Example: Configuring LSA and SPF Throttling for OSPFv3 Fast Convergence	177
	Additional References	178
	Feature History for OSPFv3 Fast Convergence: LSA and SPF Throttling	178

---

<b>CHAPTER 13</b>	<b>Configuring OSPFv3 Authentication Support with IPsec</b>	<b>179</b>
	Information About OSPFv3 Authentication Support with IPsec	179
	Overview of OSPFv3 Authentication Support with IPsec	179
	OSPFv3 Virtual Links	180
	How to Configure OSPFv3 Authentication Support with IPsec	181
	Defining Authentication on an Interface	181
	Defining Authentication in an OSPFv3 Area	182
	How to Configure OSPFv3 IPsec ESP Encryption and Authentication	182
	Defining Encryption on an Interface	182
	Defining Encryption in an OSPFv3 Area	183
	Defining Authentication and Encryption for a Virtual Link in an OSPFv3 Area	184
	Configuration Examples for OSPFv3 Authentication Support with IPsec	185
	Example: Defining Authentication on an Interface	185
	Example: Defining Authentication in an OSPFv3 Area	185
	Configuration Example for OSPFv3 IPsec ESP Encryption and Authentication	186
	Example: Verifying Encryption in an OSPFv3 Area	186
	Feature History for OSPFv3 Authentication Support with IPsec	186

---

<b>CHAPTER 14</b>	<b>Configuring OSPFv3 Authentication Trailer</b>	<b>187</b>
	Information About the OSPFv3 Authentication Trailer	187
	How to Configure the OSPFv3 Authentication Trailer	188
	Configuration Examples for the OSPFv3 Authentication Trailer	190
	Example: Configuring the OSPFv3 Authentication Trailer	190
	Example: Verifying OSPFv3 Authentication Trailer	190

Additional References for OSPFv3 Authentication Trailer 191  
 Feature History for OSPFv3 Authentication Trailer 192

---

**CHAPTER 15**

**Configuring OSPFv3 BFD 193**  
 Information About OSPFv3 for BFD 193  
 How to Configure OSPFv3 for BFD 193  
     Configuring BFD Support for OSPFv3 193  
         Configuring Baseline BFD Session Parameters on the Interface 194  
         Configuring BFD Support for OSPFv3 for All Interfaces 194  
         Configuring OSPF Support for BFD over IPv4 for One or More Interfaces 195  
     Retrieving BFDv6 Information for Monitoring and Troubleshooting 197  
 Example: Displaying OSPF Interface Information about BFD 197  
 Additional References 198  
 Feature History for OSPFv3 for BFD 198

---

**CHAPTER 16**

**Configuring OSPFv3 External Path Preference Option 199**  
 Information About OSPFv3 External Path Preference Option 199  
     OSPFv3 External Path Preference Option 199  
 Calculating OSPFv3 External Path Preferences per RFC 5340 200  
 Example: Calculating OSPFv3 External Path Preferences per RFC 5340 200  
 Additional References 201  
 Feature History for OSPFv3 External Path Preference Option 201

---

**CHAPTER 17**

**Configuring OSPF Retransmissions Limit 203**  
 Restrictions For OSPF Retransmissions Limit 203  
 Overview About OSPF Retransmissions Limit 203  
     Benefits 203  
 Setting OSPF Retransmission Limits 204  
 Example: Configuring OSPF Retransmissions Limit 204  
 Additional References for OSPF Retransmissions Limit 204  
 Feature History for OSPF Retransmissions Limit 205

---

**CHAPTER 18**

**Configuring OSPFv3 Max-Metric Router LSA 207**  
 Information About OSPFv3 Max-Metric Router LSA 207

Configuring the OSPFv3 Max-Metric Router LSA	207
Example: Verifying the OSPFv3 Max-Metric Router LSA	208
Additional References	209
Feature History for OSPFv3 Max-Metric Router LSA	209

**CHAPTER 19****Configuring OSPFv3 Demand Circuit Ignore 211**

Information About Demand Circuit Ignore Support	211
Configuring Demand Circuit Ignore Support for OSPFv3	211
Example: Demand Circuit Ignore Support for OSPFv3	212
Additional References for OSPFv3 Demand Circuit Ignore	212
Feature History for OSPFv3 Demand Circuit Ignore	213

**CHAPTER 20****Configuring OSPFv3 Limit on Number of Redistributed Routes 215**

Restrictions for OSPFv3 Limit on Number of Redistributed Routes	215
Prerequisites for OSPFv3 Limit on Number of Redistributed Routes	215
Information About OSPFv3 Limit on Number of Redistributed Routes	215
How to Configure an OSPFv3 Limit on the Number of Redistributed Routes	216
Limiting the Number of OSPFv3 Redistributed Routes	216
Requesting a Warning Message About the Number of Routes Redistributed into OSPFv3	217
Configuration Examples for OSPFv3 Limit on Number of Redistributed Routes	218
Example: OSPFv3 Limit on Number of Redistributed Routes	218
Example: Requesting a Warning Message About the Number of Redistributed Routes	219
Monitoring OSPFv3 Limit on Number of Redistributed Routes	219
Additional References	219
Feature History for OSPFv3 Limit on Number of Redistributed Routes	220

**CHAPTER 21****Configuring Prefix Suppression Support for OSPFv3 221**

Prefix Suppression Support for OSPFv3	221
Prerequisites for Prefix Suppression Support for OSPFv3	221
Information About Prefix Suppression Support for OSPFv3	221
OSPFv3 Prefix Suppression Support	221
Globally Suppress IPv4 and IPv6 Prefix Advertisements by Configuring the OSPFv3 Process	222
Suppress IPv4 and IPv6 Prefix Advertisements on a Per-Interface Basis	222
How to Configure Prefix Suppression Support for OSPFv3	222

Configuring Prefix Suppression Support of the OSPFv3 Process	223
Configuring Prefix Suppression Support of the OSPFv3 Process in Address-Family Configuration Mode	223
Configuring Prefix Suppression Support on a Per-Interface Basis	224
Troubleshooting IPv4 and IPv6 Prefix Suppression	225
Configuration Example: Configuring Prefix Suppression Support for OSPFv3	226
Feature History for Prefix Suppression Support for OSPFv3	227

**CHAPTER 22**

<b>Configuring Graceful Shutdown Support for OSPFv3</b>	<b>229</b>
Information About Graceful Shutdown for OSPFv3	229
How to Configure Graceful Shutdown Support for OSPFv3	229
Configuring Graceful Shutdown of the OSPFv3 Process	229
Configuring Graceful Shutdown of the OSPFv3 Process in Address-Family Configuration Mode	230
Configuration Examples for Graceful Shutdown Support for OSPFv3	231
Example: Configuring Graceful Shutdown of the OSPFv3 Process	231
Example: Configuring Graceful Shutdown of the OSPFv3 Interface	232
Additional References for Graceful Shutdown Support for OSPFv3	232
Feature History for Graceful Shutdown Support for OSPFv3	233

**CHAPTER 23**

<b>Configuring NSSA for OSPFv2</b>	<b>235</b>
Information About Configuring NSSA for OSPF	235
Characteristics of RFC 3101	235
RFC 1587 Compliance	235
ABR as NSSA Link State Advertisement Translator	236
How to Configure NSSA for OSPF	238
Configuring an OSPFv2 NSSA Area and Its Parameters	238
Configuring an NSSA ABR as a Forced NSSA LSA Translator	239
Disabling RFC 3101 Compatibility and Enabling RFC 1587 Compatibility	240
Configuration Examples for OSPF NSSA	241
Example: Configuring OSPF NSSA	241
Example: OSPF NSSA Area with RFC 3101 Disabled and RFC 1587 Active	243
Example: Verifying OSPF NSSA	245
Additional References for OSPF Not-So-Stubby Areas (NSSA)	250
Feature History for NSSA for OSPFv2	250

---

<b>CHAPTER 24</b>	<b>Configuring NSSA for OSPFv3</b>	<b>253</b>
	Information About Configuring NSSA for OSPFv3	253
	RFC 1587 Compliance	253
	ABR as OSPFv3 NSSA LSA Translator	253
	How to Configure NSSA for OSPFv3	255
	Configuring an OSPFv3 NSSA Area and Its Parameters	255
	Configuring an NSSA ABR as a Forced NSSA LSA Translator for OSPFv3	257
	Disabling RFC 3101 Compatibility and Enabling RFC 1587 Compatibility	258
	Example: NSSA for OSPFv3	259
	Additional References for Configuring NSSA for OSPFv3	260
	Feature History for NSSA for OSPFv3	260

---

<b>CHAPTER 25</b>	<b>Configuring EIGRP MIB</b>	<b>263</b>
	Prerequisites for EIGRP MIB	263
	Restrictions for EIGRP MIB	263
	Information About EIGRP MIB	263
	EIGRP MIB Overview	263
	EIGRP Interface Table	264
	EIGRP Neighbor Table	265
	EIGRP Topology Table	266
	EIGRP Traffic Statistics Table	267
	EIGRP VPN Table	269
	EIGRP Notifications	269
	Enabling EIGRP MIB Notifications	270
	Example: Enabling EIGRP MIB Notifications	271
	Additional References for EIGRP MIB	271
	Feature History for EIGRP MIB	272

---

<b>CHAPTER 26</b>	<b>Configuring EIGRP Wide Metrics</b>	<b>273</b>
	Information About EIGRP Wide Metrics	273
	EIGRP Composite Cost Metrics	273
	EIGRP Wide Metrics	274
	EIGRP Metric Weights	275

Mismatched K Values	276
Additional References for EIGRP MIB	277
Feature History for EIGRP Wide Metrics	277

**CHAPTER 27****Configuring EIGRP 279**

Information About EIGRP	279
EIGRP IPv6	279
EIGRP Features	280
EIGRP Components	280
EIGRP Nonstop Forwarding	281
EIGRP NSF Awareness	281
EIGRP NSF Capability	281
EIGRP Stub Routing	282
EIGRPv6 Stub Routing	283
How to Configure EIGRP	284
Default EIGRP Configuration	284
Configuring Basic EIGRP Parameters	286
Configuring EIGRP Interfaces	288
Configuring EIGRP for IPv6	289
Configuring EIGRP Route Authentication	290
Monitoring and Maintaining EIGRP	292
Feature History for EIGRP	292

**CHAPTER 28****Configuring EIGRP Loop-Free Alternate IP Fast Reroute 295**

Restrictions for EIGRP Loop-Free Alternate IP Fast Reroute	295
Information About EIGRP Loop-Free Alternate IP Fast Reroute	296
Repair Paths Overview	296
LFA Computation	296
LFA Tie-Breaking Rules	297
How to Configure EIGRP Loop-Free Alternate IP Fast Reroute	297
Configuring LFA IP FRRs Per Prefix	297
Disabling Load Sharing Among Prefixes	298
Enabling Tie-Breaking Rules for EIGRP LFAs	299
Configuration Examples for EIGRP Loop-Free Alternate IP Fast Reroute	300



Example: Configuring LFA IP FRRs Per Prefix	300
Example: Disabling Load Sharing Among Prefixes	301
Example: Enabling Tie-Breaking Rules	301
Feature History for EIGRP Loop-Free Alternate IP Fast Reroute	302

---

**CHAPTER 29**
**Configuring BGP 303**

Restrictions for BGP	303
Information About BGP	303
BGP Network Topology	304
Nonstop Forwarding Awareness	305
Information About BGP Routing	305
Routing Policy Changes	305
BGP Decision Attributes	306
Route Maps	307
BGP Filtering	307
Prefix List for BGP Filtering	308
BGP Community Filtering	308
BGP Neighbors and Peer Groups	309
Aggregate Routes	309
Routing Domain Confederations	309
BGP Route Reflectors	309
Route Dampening	310
Conditional BGP Route Injection	310
BGP Peer Templates	311
Inheritance in Peer Templates	311
Peer Session Templates	312
Peer Policy Templates	313
BGP Route Map Next Hop Self	315
How to Configure BGP	315
Default BGP Configuration	315
Enabling BGP Routing	318
Managing Routing Policy Changes	320
Configuring BGP Decision Attributes	321
Configuring BGP Filtering with Route Maps	323

Configuring BGP Filtering by Neighbor	324
Configuring BGP Filtering by Access Lists and Neighbors	325
Configuring Prefix Lists for BGP Filtering	327
Configuring BGP Community Filtering	328
Configuring BGP Neighbors and Peer Groups	330
Configuring Aggregate Addresses in a Routing Table	332
Configuring Routing Domain Confederations	334
Configuring BGP Route Reflectors	335
Configuring Route Dampening	336
Conditionally Injecting BGP Routes	338
Configuring Peer Session Templates	341
Configuring a Basic Peer Session Template	341
Configuring Peer Session Template Inheritance with the inherit peer-session Command	342
Configuring Peer Session Template Inheritance with the neighbor inherit peer-session Command	344
Configuring Peer Policy Templates	345
Configuring Basic Peer Policy Templates	345
Configuring Peer Policy Template Inheritance with the inherit peer-policy Command	347
Configuring Peer Policy Template Inheritance with the neighbor inherit peer-policy Command	349
Configuring BGP Route Map Next-hop Self	351
Configuration Examples for BGP	355
Example: Configuring Conditional BGP Route Injection	355
Example: Configuring Peer Session Templates	355
Examples: Configuring Peer Policy Templates	356
Example: Configuring BGP Route Map next-hop self	356
Monitoring and Maintaining BGP	357
Feature History for Border Gateway Protocol	358

---

**CHAPTER 30**
**Configuring BGP Graceful Shutdown 361**

Information About BGP Graceful Shutdown	361
Purpose and Benefits of BGP Graceful Shutdown	361
GSHUT Community	361
BGP GSHUT Enhancement	362
How to Configure BGP Graceful Shutdown	362

Shutting Down a BGP Link Gracefully	362
Filtering BGP Routes Based on the GSHUT Community	364
Configuring BGP GSHUT Enhancement	365
Configuration Examples for BGP Graceful Shutdown	367
Example: Shutting Down a BGP Link Gracefully	367
Example: Filtering BGP Routes Based on the GSHUT Community	367
Example: BGP GSHUT Enhancement	368
Additional References	369
Feature History for BGP Graceful Shutdown	369

**CHAPTER 31****Configuring BGP Large Community 371**

Restrictions for the BGP Large Community	371
Information About the BGP Large Community Feature	371
Large Community Lists	371
BGP Large Community Attribute	372
How to Configure the BGP Large Community	372
Enabling BGP Large Community	372
Configuring Route-map with Large Community Lists and Matching a Large Community	374
Defining BGP Large Community List	375
Configuring the Route-map to Set BGP Large Communities	376
Deleting Large Communities	377
Verifying the Configuration of the BGP Large Community	378
Troubleshooting Large Communities	379
Configuration Example: BGP Large Community	379
Feature History for BGP Large Community	380

**CHAPTER 32****Configuring BGP Monitoring Protocol 383**

Prerequisites for BGP Monitoring Protocol	383
Information About BGP Monitoring Protocol	383
Information About BGP Monitoring Protocol	383
How to Configure BGP Monitoring Protocol	384
Configuring a BGP Monitoring Protocol Session	384
Configuring BGP Monitoring Protocol on BGP Neighbors	385
Configuring BGP Monitoring Protocol Servers	386

Configuring BGP Monitoring Protocol on VRF Neighbors	388
Verifying BGP Monitoring Protocol	389
Monitoring BGP Monitoring Protocol	390
Configuration Examples for BGP Monitoring Protocol	391
Examples for Configuring, Verifying, and Monitoring BGP Monitoring Protocol	391
Additional References for BGP Monitoring Protocol	395
Feature History for BGP Monitoring Protocol	396

**CHAPTER 33****Configuring BGP Next Hop Unchanged 397**

Restrictions for BGP Next Hop Unchanged	397
BGP Next Hop Unchanged	397
How to Configure BGP Next Hop Unchanged	398
Configuring the BGP Next Hop Unchanged for an eBGP Peer	398
Configuring BGP Next Hop Unchanged using Route-Maps	399
Example: BGP Next Hop Unchanged for an eBGP Peer	400
Feature History for BGP Next Hop Unchanged	401

**CHAPTER 34****Configuring BGP Support for 4-byte ASN 403**

Information About BGP Support for 4-byte ASN	403
BGP Autonomous System Number Formats	405
Cisco Implementation of 4-Byte Autonomous System Numbers	407
How to Configure BGP Support for 4-byte ASN	408
Configuring a BGP Routing Process and Peers Using 4-Byte Autonomous System Numbers	408
Modifying the Default Output and Regular Expression Match Format for 4-Byte Autonomous System Numbers	411
Configuration Examples for BGP Support for 4-byte ASN	414
Examples: Configuring a BGP Routing Process and Peers Using 4-Byte Autonomous System Numbers	414
Examples: Configuring a VRF and Setting an Extended Community Using a BGP 4-Byte Autonomous System Number	417
Additional References for BGP Support for 4-byte ASN	419
Feature History for BGP Support for 4-byte ASN	419

**CHAPTER 35****Configuring IS-IS Routing 421**

Information About IS-IS Routing	421
IS-IS for IPv6	422
IS-IS Authentication	422
Clear Text Authentication	422
HMAC-MD5 Authentication	422
HMAC-SHA Authentication	423
Hitless Upgrade	423
Nonstop Forwarding Awareness	423
IS-IS Global Parameters	423
IS-IS Interface Parameters	424
How to Configure IS-IS	425
Default IS-IS Configuration	425
Enabling IS-IS Routing	426
Configuring IS-IS Global Parameters	428
Configuring IS-IS Interface Parameters	431
How to Configure IS-IS Authentication	433
Configuring Authentication Keys	434
Configuring HMAC-MD5 or Clear Text Authentication for an IS-IS Instance	435
Configuring HMAC-MD5 or Clear Text Authentication for an IS-IS Interface	436
Monitoring and Maintaining IS-IS	437
Feature History for IS-IS	438

---

**CHAPTER 36**

<b>Configuring Multi-VRF CE</b>	<b>441</b>
Information About Multi-VRF CE	441
Understanding Multi-VRF CE	441
Network Topology	442
Packet-Forwarding Process	443
Network Components	443
VRF-Aware Services	443
Multi-VRF CE Configuration Guidelines	444
How to Configure Multi-VRF CE	444
Default Multi-VRF CE Configuration	445
Configuring VRFs	445
Configuring Multicast VRFs	447

Configuring a VPN Routing Session	449
Configuring BGP PE to CE Routing Sessions	450
Configuring VRF-Aware Services	451
Configuring VRF-Aware Services for SNMP	452
Configuring VRF-Aware Services for NTP	453
Configuring VRF-Aware Services for uRPF	456
Configuring VRF-Aware RADIUS	457
Configuring VRF-Aware Services for Syslog	457
Configuring VRF-Aware Services for Traceroute	458
Configuring VRF-Aware Services for FTP and TFTP	458
Monitoring VRF-Aware Services for ARP	460
Monitoring VRF-Aware Services for Ping	460
Monitoring Multi-VRF CE	460
Configuration Example: Multi-VRF CE	460
Feature History for Multi-VRF CE	464
<hr/>	
<b>CHAPTER 37</b>	<b>Protocol-Independent Features 467</b>
Distributed Cisco Express Forwarding and Load-Balancing Scheme for CEF Traffic	467
Restrictions for Configuring a Load-Balancing Scheme for CEF Traffic	467
Information About Cisco Express Forwarding	467
CEF Load-Balancing Overview	468
Per-Destination Load Balancing for CEF Traffic	468
Load-Balancing Algorithms for CEF Traffic	468
How to Configure Cisco Express Forwarding	469
How to Configure a Load-Balancing for CEF Traffic	470
Enabling or Disabling CEF Per-Destination Load Balancing	470
Selecting a Tunnel Load-Balancing Algorithm for CEF Traffic	471
Example: Enabling or Disabling CEF Per-Destination Load Balancing	472
Number of Equal-Cost Routing Paths	472
Information About Equal-Cost Routing Paths	472
How to Configure Equal-Cost Routing Paths	473
Static Unicast Routes	473
Information About Static Unicast Routes	474
Configuring Static Unicast Routes	474

Default Routes and Networks	475
Information About Default Routes and Networks	476
How to Configure Default Routes and Networks	476
Route Maps to Redistribute Routing Information	477
Information About Route Maps	477
How to Configure a Route Map	477
How to Control Route Distribution	481
Policy-Based Routing	483
Restrictions for Configuring Policy-based Routing	483
Information About Policy-Based Routing	483
How to Configure PBR	484
Filtering Routing Information	487
Setting Passive Interfaces	488
Controlling Advertising and Processing in Routing Updates	489
Filtering Sources of Routing Information	490
Managing Authentication Keys	491
Prerequisites	492
How to Configure Authentication Keys	492
Feature History for Protocol-Independent Features	493

---

**CHAPTER 38**

<b>Configuring VRF-lite</b>	<b>497</b>
Information About VRF-lite	497
Guidelines for Configuring VRF-lite	498
How to Configure VRF-lite	500
Configuring VRF-lite for IPv4	500
Configuring VRF-Aware Services	500
Configuring Per-VRF for TACACS+ Servers	500
Configuring Multicast VRFs	502
Configuring a VPN Routing Session	504
Configuring BGP PE to CE Routing Sessions	506
Configuring IPv4 VRFs	507
Configuring VRF-lite for IPv6	508
Configuring VRF-Aware Services	508
Configuring IPv6 VRFs	511

Associating Interfaces to the Defined VRFs	512
Populate VRF with Routes via Routing Protocols	513
Additional Information for VRF-lite	519
VPN Co-existence Between IPv4 and IPv6	519
Verifying VRF-lite Configuration	519
Displaying IPv4 VRF-lite Status	519
Configuration Examples for VRF-lite	520
Configuration Example for IPv6 VRF-lite	520
Additional References for VRF-Lite	524
Feature History for Multicast VRF-lite	524

**CHAPTER 39**

<b>Configuring Unicast Reverse Path Forwarding</b>	<b>527</b>
Prerequisites for Unicast Reverse Path Forwarding	527
Restrictions for Unicast Reverse Path Forwarding	527
Information About Unicast Reverse Path Forwarding	528
Unicast RPF Operation	528
Per-Interface Statistics	529
Implementation of Unicast Reverse Path Forwarding Notification	531
Security Policy and Unicast RPF	531
Ingress and Egress Filtering Policy for Unicast RPF	532
Where to Use Unicast Reverse Path Forwarding	532
Routing Table Requirements	532
Where Not to Use Unicast Reverse Path Forwarding	533
Unicast Reverse Path Forwarding with BOOTP and DHCP	533
How to Configure Unicast Reverse Path Forwarding	533
Configuring Unicast Reverse Path Forwarding	534
Troubleshooting Tips	535
HSRP Failure	535
Monitoring and Maintaining Unicast Reverse Path Forwarding	535
Example: Configuring Unicast RPF	536
Feature History for Unicast Reverse Path Forwarding	537

**CHAPTER 40**

<b>Configuring Generic Routing Encapsulation(GRE) Tunnel IP Source and Destination VRF Membership</b>	<b>539</b>
---	------------



Restrictions for GRE Tunnel IP Source and Destination VRF Membership	539
Information About GRE Tunnel IP Source and Destination VRF Membership	540
How to Configure GRE Tunnel IP Source and Destination VRF Membership	540
Configuration Example for GRE Tunnel IP Source and Destination VRF Membership	541
Additional References	542
Feature History for Generic Routing Encapsulation Tunnel IP Source and Destination VRF Membership	542

---

**CHAPTER 41**

<b>Configuring Unicast and Multicast over Point-to-Multipoint GRE</b>	<b>545</b>
Prerequisites for Unicast and Multicast over Point-to-Multipoint GRE	545
Restrictions for Unicast and Multicast over Point-to-Multipoint GRE	545
Information About Unicast and Multicast over Point-to-Multipoint GRE	546
Information About NHRP	546
Information About mGRE	546
How to Configure Unicast and Multicast over Point-to-Multipoint GRE	548
Configuring Unicast mGRE for Hub	548
Configuring Unicast mGRE at a Spoke	549
Configuring Unicast mGRE at the Hub	550
Configuring Multicast mGRE	551
Verifying the mGRE Configuration	552
Configuration Examples for Unicast and Multicast over Point-to-Multipoint GRE	555
Example: Configuring Unicast mGRE for Hub	555
Example: Configuring Unicast mGRE at Spoke	555
Example: Configuring Unicast mGRE at Hub	556
Example: Configuring Multicast mGRE	556
Sample mGRE Configuration at Hub and Spokes	556
Feature History for Unicast and Multicast over Point-to-Multipoint GRE	557





## CHAPTER 1

# Configuring Bidirectional Forwarding Detection

This document describes how to enable the Bidirectional Forwarding Detection (BFD) protocol. BFD is a detection protocol that is designed to provide fast forwarding path failure detection times for all media types, encapsulations, topologies, and routing protocols.

BFD provides a consistent failure detection method for network administrators, in addition to fast forwarding path failure detection. Because the network administrator can use BFD to detect forwarding path failures at a uniform rate, rather than the variable rates for different routing protocol hello mechanisms, network profiling and planning will be easier, and reconvergence time will be consistent and predictable.

- [Prerequisites for Bidirectional Forwarding Detection, on page 1](#)
- [Restrictions for Bidirectional Forwarding Detection, on page 1](#)
- [Information About Bidirectional Forwarding Detection, on page 2](#)
- [How to Configure Bidirectional Forwarding Detection, on page 7](#)
- [Configuration Example: Configuring BFD for a BGP IPv6 Neighbor, on page 25](#)
- [Feature History for Configuring Bidirectional Forwarding Detection , on page 26](#)

## Prerequisites for Bidirectional Forwarding Detection

- All participating switches must enable Cisco Express Forwarding and IP routing.
- Before BFD is deployed on a switch, it is necessary to configure one of the IP routing protocols that are supported by BFD. You should implement fast convergence for the routing protocol that you are using. See IP routing documentation for your version of Cisco IOS software for information on configuring fast convergence. See the "Restrictions for Bidirectional Forwarding Detection" section for more information on BFD routing protocol support in Cisco IOS software.

## Restrictions for Bidirectional Forwarding Detection

- BFD support is not available for all platforms and interfaces. To confirm if a specific platform or interface has BFD support and to obtain the most accurate platform and hardware restrictions, see the Cisco IOS software release notes for your software version.
- The QoS policy for self-generated packets does not match BFD packets.
- The **class class-default** command matches BFD packets. So, you must make sure of the availability of appropriate bandwidth to prevent dropping of BFD packets due to oversubscription.

- BFD HA is not supported.
- When you use YANG operational models to delete individual BFD interval values, the whole BFD interval configuration gets deleted.

## Information About Bidirectional Forwarding Detection

The following sections provide information about bidirectional forwarding detection.

### BFD Operation

BFD provides a low-overhead, short-duration method of detecting failures in the forwarding path between two adjacent devices. These devices include the interfaces, data links, and forwarding planes.

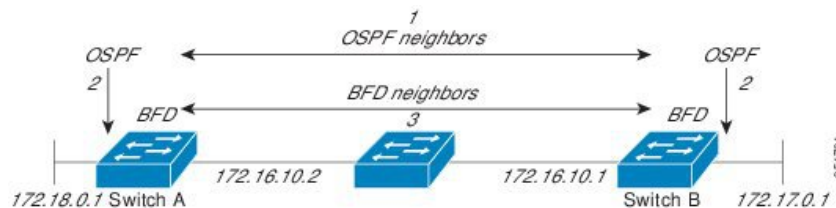
BFD is a detection protocol that you enable at the interface and routing protocol levels. Cisco supports BFD asynchronous mode. BFD asynchronous mode depends on the sending of BFD control packets between two systems to activate and maintain BFD neighbor sessions between devices. Therefore, in order to create a BFD session, you must configure BFD on both systems (or BFD peers). A BFD session is created once BFD is enabled on the interfaces and at the device level for the appropriate routing protocols. BFD timers are negotiated, and the BFD peers begin to send BFD control packets to each other at the negotiated interval.

Starting with Cisco IOS XE Gibraltar 16.11.1 release, the BFD protocol can be configured between PE-CE (Provider Edge-Customer Edge) and PE-P (Provider Edge- Provider) in an MPLS network. This enhancement is not supported on the C9500-12Q, C9500-16X, C9500-24Q, C9500-40X models of the Cisco Catalyst 9500 Series Switches.

### Neighbor Relationships

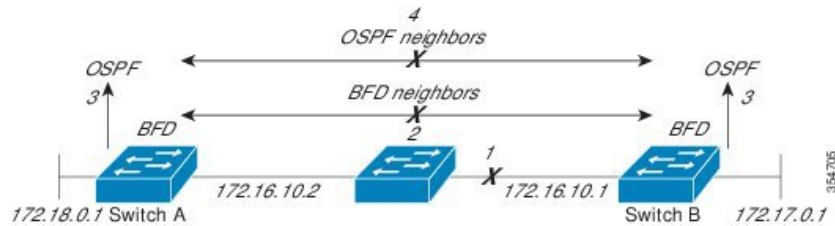
BFD provides fast BFD peer failure detection times independently. This is independent of all media types, encapsulations, topologies, and routing protocols such as BGP, EIGRP, IS-IS, and OSPF. BFD sends rapid failure detection notices to the routing protocols in the local device to initiate the routing table recalculation process. In this way, BFD contributes to greatly reduced overall network convergence time. The figure below shows a simple network with two devices running OSPF and BFD. When OSPF discovers a neighbor (1), it sends a request to the local BFD process. It initiates a BFD neighbor session with the OSPF neighbor device (2). The BFD neighbor session with the OSPF neighbor device is established (3).

**Figure 1: BFD Process on a Network Configured with OSPF**



The figure below shows what happens when a failure occurs in the network (1). The BFD neighbor session with the OSPF neighbor device is torn down (2). BFD notifies the local OSPF process that the BFD neighbor is no longer reachable (3). The local OSPF process tears down the OSPF neighbor relationship (4). If an alternative path is available, the devices immediately start converging on it.

Figure 2: BFD Process During a Network Failure



A routing protocol must register with BFD for every neighbor it acquires. Once a neighbor is registered, BFD initiates a session with the neighbor if a session does not already exist.

OSPF registers with BFD when:

- A neighbor finite state machine (FSM) transitions to full state.
- Both OSPF BFD and BFD are enabled.

On broadcast interfaces, OSPF establishes a BFD session only with the designated router (DR) and backup designated router (BDR). The session is not established between any two devices in a DROTHER state.

## BFD Detection of Failures

Once a BFD session is established and timer negotiations are complete, BFD peers send BFD control packets. The packets act in the same manner as an IGP hello protocol to detect liveness, except at a more accelerated rate. The following information should be noted:

- BFD is a forwarding path failure detection protocol. BFD detects a failure, but the routing protocol must act to bypass a failed peer.
- Starting with Cisco IOS XE Denali 16.3.1, Cisco devices support BFD version 0. Devices use one BFD session for multiple client protocols in the implementation. For example, if a network is running OSPF and EIGRP across the same link to the same peer, only one BFD session is established. BFD shares session information with both routing protocols.

## BFD Version Interoperability

All BFD sessions come up as Version 1 by default and are interoperable with Version 0. The system automatically performs BFD version detection, and BFD sessions between neighbors run in the highest common BFD version between neighbors. For example, if one BFD neighbor is running BFD Version 0 and the other BFD neighbor is running Version 1, the session runs BFD Version 0. The output from the **show bfd neighbors [details]** command verifies which BFD version a BFD neighbor is running.

See the "Example Configuring BFD in an EIGRP Network with Echo Mode Enabled by Default" for an example of BFD version detection.

## BFD Session Limits

Starting with Cisco IOS XE Denali 16.3.1, the number of BFD sessions that can be created has been increased to 100.

## BFD Support for BGP IPv6 Neighbors

Starting with the Cisco IOS XE Gibraltar 16.11.1 release, BFD can be used for BGP neighbors that have an IPv6 address on Cisco Catalyst 9500 Series Switches - High Performance.

BFD also detects fast forwarding path failure of BGP neighbors that have an IPv6 address. BFD is a detection protocol that is designed to provide fast forwarding path failure detection times. BFD works for all media types such as encapsulations, topologies, and different routing protocols. BFD provides faster convergence time for BGP after a forwarding path failure.

## BFD Support for GRE IP Tunnel

Starting with the Cisco IOS XE Gibraltar 16.11.1 release, BFD forwarding on point-to-point IPv4, IPv6, and generic routing encapsulation (GRE) tunnels is supported on Cisco Catalyst 9500 Series Switches - High Performance.

Only numbered interfaces are allowed. When the tunnel type changes from a supported tunnel to an unsupported one, BFD sessions are brought down for that tunnel and the BFD configuration is removed from the interface.

BFD detection time depends on the topology and infrastructure. For a single-hop IP tunnel that deploys across physically adjacent devices, the 150 ms (that is, a hello interval of 50 ms with up to three retries) detection rate applies. However, when the source and destination endpoints of the tunnel are not connected back-to-back, the 150-ms detection rate is not guaranteed.

BFD uses the IP address that is configured on the tunnel interface. It does not use the tunnel source and destination addresses.

## BFD Support for Nonbroadcast Media Interfaces

Starting from Cisco IOS XE Denali 16.3.1, the BFD feature is supported on routed, SVI, and L3 port channels. The **bfd interval** command must be configured on the interface to initiate BFD monitoring.

## BFD Support for Nonstop Forwarding with Stateful Switchover

Typically, when a networking device restarts, all routing peers of that device detect that the device went down and then came back up. This transition results in a routing flap, which could spread across multiple routing domains. Routing flaps that are caused by routing restarts create routing instabilities, which are detrimental to the overall network performance. Nonstop forwarding (NSF) helps to suppress routing flaps in devices enabled with stateful switchover (SSO), thus reducing network instability.

NSF allows for the forwarding of data packets to continue along known routes while the routing protocol information is restored after a switchover. With NSF, peer networking devices do not experience routing flaps. Data traffic is forwarded through intelligent line cards or dual forwarding processors while the standby RP assumes control from the failed active RP during a switchover. One key to NSF operation is the ability of line cards and forwarding processors to remain up through a switchover. They remain current with the Forwarding Information Base (FIB) on the active RP.

In devices that support dual RPs, SSO establishes one of the RPs as the active processor; the other RP is designated as the standby processor. SSO synchronizes information between the active and standby processor. A switchover from the active to the standby processor occurs when the active RP fails, it is removed from the networking device, or it is manually taken down for maintenance.

## BFD Intervals Based on Interface

The following table displays the relationship between interfaces, BFD intervals and the Timeout values that must be configured on the interfaces:



**Note** The BFD intervals that are listed below are applicable only for the Cisco Catalyst 9500 High Performance Series Switches.

Types of Interface	Minimum Supported Values for BFD Timer	
	Standalone	Redundant Systems
Physical Interface	50ms * 3	250ms * 3
L3 Subinterface	50ms * 3	750ms * 3
Switch Virtual Interface (SVI)	100ms * 3	750ms * 3
Layer 3 Portchannel	250ms * 3	750ms * 3
Layer 3 Portchannel Subinterface	250ms * 3	750ms * 3



**Note** On physical interfaces of the Cisco Catalyst 9500X Series Switches, BFD timer for redundant systems is 750ms \* 3.

## BFD Support for Stateful Switchover

The BFD protocol provides short-duration detection of failures in the path between adjacent forwarding engines. In network deployments that use dual RP routers or switches (to provide redundancy), the routers have a graceful restart mechanism. This mechanism protects the forwarding state during a switchover between the active RP and the standby RP.

The dual RPs have variable switchover times that depend on the ability of the hardware to detect a communication failure. When BFD is running on the RP, some platforms are not able to detect a switchover before the BFD protocol times out. These platforms are referred to as slow switchover platforms.

## BFD Support for Static Routing

Unlike dynamic routing protocols, such as OSPF and BGP, static routing has no method of peer discovery. Therefore, when BFD is configured, the reachability of the gateway depends on the state of the BFD session to the specified neighbor. Unless the BFD session is up, the gateway for the static route is unreachable, and the affected routes are not installed in the appropriate Routing Information Base (RIB).

To successfully establish a BFD session, BFD must be configured on the interface on the peer. There must be a BFD client that is registered on the peer for the address of the BFD neighbor. When an interface is used by dynamic routing protocols, the latter requirement is met by configuring the routing protocol instances on each neighbor for BFD. When an interface is used exclusively for static routing, this requirement must be met by configuring static routes on the peers.

If a BFD configuration is removed from the remote peer while the BFD session is in the up state, the updated state of the BFD session is not signaled to IPv4 static. This causes the static route to remain in the RIB. The only workaround is to remove the IPv4 static BFD neighbor configuration so that the static route no longer tracks BFD session state. Also, if you change the encapsulation type on a serial interface to one that is unsupported by BFD, BFD will be in a down state on that interface. The workaround is to shut down the interface, change to a supported encapsulation type, and then reconfigure BFD.

A single BFD session can be used by an IPv4 static client to track the reachability of next hops through a specific interface. You can assign a BFD group for a set of BFD-tracked static routes. Each group must have one active static BFD configuration, one or more passive BFD configurations, and the corresponding BFD tracked static routes. Nongroup entries are BFD-tracked static routes for which a BFD group is not assigned. A BFD group must accommodate static BFD configurations that can be part of different VRFs. Effectively, the passive static BFD configurations need not be in the same VRF as that of the active configuration.

For each BFD group, there can be only one active static BFD session. You can configure the active BFD session by adding a static BFD configuration and a corresponding static route that uses the BFD configuration. The BFD session in a group is created only when there is an active static BFD configuration and the static route that uses the static BFD configuration. When the active static BFD configuration or the active static route is removed from a BFD group, all the passive static routes are withdrawn from the RIB. Effectively, all the passive static routes are inactive until an active static BFD configuration and a static route to be tracked by the active BFD session are configured in the group.

Similarly, for each BFD group, there can be one or more passive static BFD configurations and their corresponding static routes to be BFD-tracked. Passive static session routes take effect only when the active BFD session state is reachable. Though the active BFD session state of the group is reachable, the passive static route is added to the RIB only if the corresponding interface state is up. When a passive BFD session is removed from a group, it will not affect the active BFD session if one existed, or the BFD group reachability status.

## Benefits of Using BFD for Failure Detection

When you deploy any feature, it is important to consider all the alternatives and be aware of any trade-offs.

The closest alternative to BFD, in conventional deployments, is the use of modified failure detection mechanisms for EIGRP, IS-IS, and OSPF routing protocols.

If you set EIGRP hello and hold timers to their absolute minimums, the failure detection rate for EIGRP falls to within a one- to two-second range. If you use fast hellos for Interior Gateway Protocol (IGP) protocols such as IS-IS or OSPF, they reduce their failure detection mechanisms to a minimum of one second.

There are several advantages to implementing BFD over reduced timer mechanisms for routing protocols:

- Although reducing the EIGRP, IS-IS, and OSPF timers can result in minimum detection timer of one to two seconds, BFD can provide failure detection in less than one second.
- Because BFD is not tied to any particular routing protocol, it can be used as a generic and consistent failure detection mechanism for EIGRP, IS-IS, and OSPF.
- Because some parts of BFD can be distributed to the data plane, it can be less CPU-intensive than the reduced EIGRP, IS-IS, and OSPF timers, which exist wholly at the control plane.



# How to Configure Bidirectional Forwarding Detection

The following sections provide configurational information about bidirectional forwarding detection.

## Configuring BFD Session Parameters on the Interface

To configure BFD on an interface, you must set the baseline BFD session parameters. Repeat the steps in this procedure for each interface over which you want to run BFD sessions to BFD neighbors.

The following procedure shows BFD configuration steps for a physical interface. Please use the corresponding BFD timer values for SVIs and ether-channels respectively.

### Procedure

	Command or Action	Purpose
<b>Step 1</b>	<b>enable</b> <b>Example:</b> Device> <b>enable</b>	Enables privileged EXEC mode. Enter your password if prompted.
<b>Step 2</b>	<b>configure terminal</b> <b>Example:</b> Device# <b>configure terminal</b>	Enters global configuration mode.
<b>Step 3</b>	Perform one of the following steps: <ul style="list-style-type: none"> <li>• <b>ip address</b> <i>ipv4-address mask</i></li> <li>• <b>ipv6 address</b> <i>ipv6-address/mask</i></li> </ul> <b>Example:</b> Configuring an IPv4 address for the interface: Device(config-if)# <b>ip address</b> 10.201.201.1 255.255.255.0 Configuring an IPv6 address for the interface: Device(config-if)# <b>ipv6 address</b> 2001:db8:1:1::1/32	Configures an IP address for the interface.
<b>Step 4</b>	<b>bfd interval</b> <i>milliseconds min_rx</i> <i>milliseconds multiplier interval-multiplier</i> <b>Example:</b> Device(config-if)# <b>bfd interval</b> 100 <b>min_rx</b> 100 <b>multiplier</b> 3	Enables BFD on the interface. The BFD interval configuration is removed when the subinterface on which it is configured is removed. The BFD interval configuration is not removed when: <ul style="list-style-type: none"> <li>• An interface removes an IPv4 address.</li> </ul>

	Command or Action	Purpose
		<ul style="list-style-type: none"> <li>• An interface removes an IPv6 address is removed from an interface.</li> <li>• An interface disables IPv6.</li> <li>• An interface is shutdown</li> <li>• An interface globally or locally disables IPv4 CEF.</li> <li>• An interface globally or locally disables IPv6 CEF.</li> </ul>
<b>Step 5</b>	<b>end</b> <b>Example:</b> Device(config-if)# <b>end</b>	Exits interface configuration mode and returns to privileged EXEC mode.

## Configuring BFD Support for Dynamic Routing Protocols

The following sections provide configurational information about BFD support for dynamic routing protocols.

### Configuring BFD Support for eBGP

This section describes the procedure for configuring BFD support for BGP. This ensures that BGP is a registered protocol with BFD and receives forwarding path detection failure messages from BFD.

#### Before you begin

eBGP must be running on all participating routers.

Configure the baseline parameters for BFD sessions on the interfaces over which you want to run BFD sessions to BFD neighbors. See the Configuring BFD Session Parameters on the Interface section for more information.



**Note** Output from the **show bfd neighbors details** command shows the configured intervals.

#### Procedure

	Command or Action	Purpose
<b>Step 1</b>	<b>enable</b> <b>Example:</b> Device> <b>enable</b>	Enables privileged EXEC mode. Enter your password if prompted.
<b>Step 2</b>	<b>configure terminal</b> <b>Example:</b>	Enters global configuration mode.

	Command or Action	Purpose
	Device# <code>configure terminal</code>	
<b>Step 3</b>	<b>router bgp</b> <i>as-tag</i> <b>Example:</b> Device(config)# <code>router bgp tag1</code>	Specifies a BGP process and enters router configuration mode.
<b>Step 4</b>	<b>neighbor</b> <i>ip-address</i> <b>fall-over bfd</b> <b>Example:</b> Device(config-router)# <code>neighbor 172.16.10.2 fall-over bfd</code>	Enables BFD support for fallover.
<b>Step 5</b>	<b>end</b> <b>Example:</b> Device(config-router)# <code>end</code>	Exits router configuration mode and returns the router to privileged EXEC mode.
<b>Step 6</b>	<b>show bfd neighbors [details]</b> <b>Example:</b> Device# <code>show bfd neighbors detail</code>	(Optional) Verifies that the BFD neighbor is active and displays the routing protocols that BFD has registered.
<b>Step 7</b>	<b>show ip bgp neighbor</b> <b>Example:</b> Device# <code>show ip bgp neighbor</code>	(Optional) Displays information about BGP and TCP connections to neighbors.

## Configuring BFD Support for EIGRP

This section describes the procedure for configuring BFD support for EIGRP. This ensures EIGRP is a registered protocol with BFD and receives forwarding path detection failure messages from BFD. There are two methods for enabling BFD support for EIGRP:

- You can enable BFD for all interfaces for which EIGRP is routing by using the **bfd all-interfaces** command in router configuration mode.
- You can enable BFD for a subset of the interfaces for which EIGRP is routing by using the **bfd interface type number** command in router configuration mode.

### Before you begin

- EIGRP must be running on all participating routers.
- Configure the baseline parameters for BFD sessions on the interfaces over which you want to run BFD sessions to BFD neighbors. See the "Configuring BFD Session Parameters on the Interface" section for more information.



**Note** Output from the **show bfd neighbors details** command shows the configured intervals.

### Procedure

	Command or Action	Purpose
<b>Step 1</b>	<b>enable</b> <b>Example:</b> Device> <b>enable</b>	Enables privileged EXEC mode. Enter your password if prompted.
<b>Step 2</b>	<b>configure terminal</b> <b>Example:</b> Device# <b>configure terminal</b>	Enters global configuration mode.
<b>Step 3</b>	<b>router eigrp as-number</b> <b>Example:</b> Device(config)# <b>router eigrp 123</b>	Configures the EIGRP routing process and enters router configuration mode.
<b>Step 4</b>	Do one of the following: <ul style="list-style-type: none"> <li>• <b>bfd all-interfaces</b></li> <li>• <b>bfd interface type number</b></li> </ul> <b>Example:</b> Device(config-router)# <b>bfd all-interfaces</b> <b>Example:</b> Device(config-router)# <b>bfd interface GigabitFastEthernet 1/0/1</b>	Enables BFD globally on all interfaces that are associated with the EIGRP routing process. Or Enables BFD on a per-interface basis for one or more interfaces that are associated with the EIGRP routing process.
<b>Step 5</b>	<b>end</b> <b>Example:</b> Device(config-router)# <b>end</b>	Exits router configuration mode and returns the router to privileged EXEC mode.
<b>Step 6</b>	<b>show bfd neighbors [details]</b> <b>Example:</b> Device# <b>show bfd neighbors details</b>	(Optional) Verifies that the BFD neighbor is active and displays the routing protocols that BFD has registered.
<b>Step 7</b>	<b>show ip eigrp interfaces [type number] [as-number] [detail]</b> <b>Example:</b>	(Optional) Displays the interfaces for which BFD support for EIGRP is enabled.

	Command or Action	Purpose
	Device# <code>show ip eigrp interfaces detail</code>	

## Configuring BFD Support for IS-IS

This section describes the procedures for configuring BFD support for IS-IS so that IS-IS is a registered protocol with BFD and will receive forwarding path detection failure messages from BFD. There are two methods for enabling BFD support for IS-IS:

- You can enable BFD for all of the interfaces on which IS-IS is supporting IPv4 routing by using the **bfd all-interfaces** command in router configuration mode. You can then disable BFD for one or more of those interfaces using the **isis bfd disable** command in interface configuration mode.
- You can enable BFD for a subset of the interfaces for which IS-IS is routing by using the **isis bfd** command in interface configuration mode.

To configure BFD support for IS-IS, perform the steps in one of the following sections:

### Prerequisites

- IS-IS must be running on all participating devices.
- The baseline parameters for BFD sessions on the interfaces that you want to run BFD sessions to BFD neighbors over must be configured. See the "Configuring BFD Session Parameters on the Interface" section for more information.

### Configuring BFD Support for IS-IS for All Interfaces

To configure BFD on all IS-IS interfaces that support IPv4 routing, perform the steps in this section.

#### Procedure

	Command or Action	Purpose
<b>Step 1</b>	<b>enable</b> <b>Example:</b> Device> <code>enable</code>	Enables privileged EXEC mode. Enter your password if prompted.
<b>Step 2</b>	<b>configure terminal</b> <b>Example:</b> Device# <code>configure terminal</code>	Enters global configuration mode.
<b>Step 3</b>	<b>router isis area-tag</b> <b>Example:</b> Device(config)# <code>router isis tag1</code>	Specifies an IS-IS process and enters router configuration mode.
<b>Step 4</b>	<b>bfd all-interfaces</b> <b>Example:</b>	Enables BFD globally on all interfaces that are associated with the IS-IS routing process.

	Command or Action	Purpose
	<code>Device (config-router) #bfd all-interfaces</code>	
<b>Step 5</b>	<b>exit</b> <b>Example:</b> <code>Device (config-router) #exit</code>	(Optional) Returns the device to global configuration mode.
<b>Step 6</b>	<b>interface</b> <i>type number</i> <b>Example:</b> <code>Device (config) #interface fastethernet 6/0</code>	(Optional) Enters interface configuration mode.
<b>Step 7</b>	<b>ip router isis</b> [ <i>tag</i> ] <b>Example:</b> <code>Device (config-if) #ip router isis tag1</code>	(Optional) Enables support for IPv4 routing on the interface.
<b>Step 8</b>	<b>isis bfd</b> [disable] <b>Example:</b> <code>Device (config-if) #isis bfd</code>	(Optional) Enables or disables BFD on a per-interface basis for one or more interfaces that are associated with the IS-IS routing process.  <b>Note</b> You should use the <b>disable</b> keyword only if you had earlier enabled BFD on all the interfaces that IS-IS is associated with, using the <b>bfd all-interfaces</b> command in configuration mode.
<b>Step 9</b>	<b>end</b> <b>Example:</b> <code>Device (config-if) #end</code>	Exits interface configuration mode and returns the device to privileged EXEC mode.
<b>Step 10</b>	<b>show bfd neighbors</b> [details] <b>Example:</b> <code>Device#show bfd neighbors details</code>	(Optional) Displays information that can be used to verify if the BFD neighbor is active and displays the routing protocols that BFD has registered.
<b>Step 11</b>	<b>show clns interface</b> <b>Example:</b> <code>Device#show clns interface</code>	(Optional) Displays information that can be used to verify if BFD for IS-IS has been enabled for a specific IS-IS interface that is associated.

### Configuring BFD Support for IS-IS for One or More Interfaces

To configure BFD for only one or more IS-IS interfaces, perform the steps in this section.

## Procedure

	Command or Action	Purpose
<b>Step 1</b>	<b>enable</b> <b>Example:</b>  Device> <b>enable</b>	Enables privileged EXEC mode. Enter your password if prompted.
<b>Step 2</b>	<b>configure terminal</b> <b>Example:</b>  Device# <b>configure terminal</b>	Enters global configuration mode.
<b>Step 3</b>	<b>interface</b> <i>type number</i> <b>Example:</b>  Device(config)# <b>interface fastethernet 6/0</b>	Enters interface configuration mode.
<b>Step 4</b>	<b>ip router isis</b> [ <i>tag</i> ] <b>Example:</b>  Device(config-if)# <b>ip router isis tag1</b>	Enables support for IPv4 routing on the interface.
<b>Step 5</b>	<b>isis bfd</b> [ <b>disable</b> ] <b>Example:</b>  Device(config-if)# <b>isis bfd</b>	Enables or disables BFD on a per-interface basis for one or more interfaces that are associated with the IS-IS routing process.  <b>Note</b> You should use the <b>disable</b> keyword only if you enabled BFD on all the interfaces that IS-IS is associated with using the <b>bfd all-interfaces</b> command in router configuration mode.
<b>Step 6</b>	<b>end</b> <b>Example:</b>  Device(config-if)# <b>end</b>	Exits interface configuration mode and returns the device to privileged EXEC mode.
<b>Step 7</b>	<b>show bfd neighbors</b> [ <b>details</b> ] <b>Example:</b>  Device# <b>show bfd neighbors details</b>	(Optional) Displays information that can help verify if the BFD neighbor is active and displays the routing protocols that BFD has registered.
<b>Step 8</b>	<b>show clns interface</b> <b>Example:</b>  Device# <b>show clns interface</b>	(Optional) Displays information that can help verify if BFD for IS-IS has been enabled for a specific IS-IS interface that is associated.

## Configuring BFD Support for OSPF

This section describes the procedures for configuring BFD support for OSPF so that OSPF is a registered protocol with BFD and will receive forwarding path detection failure messages from BFD. You can either configure BFD support for OSPF globally on all interfaces or configure it selectively on one or more interfaces.

There are two methods for enabling BFD support for OSPF:

- You can enable BFD for all the interfaces for which OSPF is routing by using the **bfd all-interfaces** command in router configuration mode. You can disable BFD support on individual interfaces using the **ip ospf bfd [disable]** command in interface configuration mode.
- You can enable BFD for a subset of the interfaces for which OSPF is routing by using the **ip ospf bfd** command in interface configuration mode.

See the following sections for tasks for configuring BFD support for OSPF:

### Configuring BFD Support for OSPF for All Interfaces

To configure BFD for all OSPF interfaces, perform the steps in this section.

If you do not want to configure BFD on all OSPF interfaces and would rather configure BFD support specifically for one or more interfaces, see the "Configuring BFD Support for OSPF for One or More Interfaces" section.

#### Before you begin

- OSPF must be running on all participating devices.
- The baseline parameters for BFD sessions on the interfaces over which you want to run BFD sessions to BFD neighbors must be configured. See the "Configuring BFD Session Parameters on the Interface" section for more information.

#### Procedure

	Command or Action	Purpose
<b>Step 1</b>	<b>enable</b>  <b>Example:</b>  Device> <b>enable</b>	Enables privileged EXEC mode.  Enter your password if prompted.
<b>Step 2</b>	<b>configure terminal</b>  <b>Example:</b>  Device# <b>configure terminal</b>	Enters global configuration mode.
<b>Step 3</b>	<b>router ospf</b> <i>process-id</i>  <b>Example:</b>  Device (config) # <b>router ospf 4</b>	Specifies an OSPF process and enters router configuration mode.
<b>Step 4</b>	<b>bfd all-interfaces</b>  <b>Example:</b>	Enables BFD globally on all interfaces that are associated with the OSPF routing process.



	Command or Action	Purpose
	Device(config-router)# <b>bfd all-interfaces</b>	
<b>Step 5</b>	<b>exit</b> <b>Example:</b> Device(config-router)# <b>exit</b>	(Optional) Returns the device to global configuration mode. Enter this command only if you want to perform Step 7 to disable BFD for one or more interfaces.
<b>Step 6</b>	<b>interface type number</b> <b>Example:</b> Device(config)# <b>interface fastethernet 6/0</b>	(Optional) Enters interface configuration mode. Enter this command only if you want to perform Step 7 to disable BFD for one or more interfaces.
<b>Step 7</b>	<b>ip ospf bfd [disable]</b> <b>Example:</b> Device(config-if)# <b>ip ospf bfd disable</b>	(Optional) Disables BFD on a per-interface basis for one or more interfaces that are associated with the OSPF routing process. <b>Note</b> You should use the <b>disable</b> keyword only if you enabled BFD on all the interfaces that OSPF is associated with using the <b>bfd all-interfaces</b> command in router configuration mode.
<b>Step 8</b>	<b>end</b> <b>Example:</b> Device(config-if)# <b>end</b>	Exits interface configuration mode and returns the router to privileged EXEC mode.
<b>Step 9</b>	<b>show bfd neighbors [details]</b> <b>Example:</b> Device# <b>show bfd neighbors detail</b>	(Optional) Displays information that can help verify if the BFD neighbor is active and displays the routing protocols that BFD has registered.
<b>Step 10</b>	<b>show ip ospf</b> <b>Example:</b> Device# <b>show ip ospf</b>	(Optional) Displays information that can help verify if BFD for OSPF has been enabled.

### Configuring OSPF Support for BFD over IPv4 for One or More Interfaces

To configure BFD on one or more OSPF interfaces, perform the steps in this section.

#### Procedure

	Command or Action	Purpose
<b>Step 1</b>	<b>enable</b>	Enables privileged EXEC mode.

	Command or Action	Purpose
	<b>Example:</b> Device> <b>enable</b>	Enter your password if prompted.
<b>Step 2</b>	<b>configure terminal</b> <b>Example:</b> Device# <b>configure terminal</b>	Enters global configuration mode.
<b>Step 3</b>	<b>interface</b> <i>type number</i> <b>Example:</b> Device (config) # <b>interface fastethernet 6/0</b>	Enters interface configuration mode.
<b>Step 4</b>	<b>ip ospf bfd [disable]</b> <b>Example:</b> Device (config-if) # <b>ip ospf bfd</b>	Enables or disables BFD on a per-interface basis for one or more interfaces that are associated with the OSPF routing process.  <b>Note</b> Use the <b>disable</b> keyword only if you enable BFD on all the interfaces that OSPF is associated with using the <b>bfd all-interfaces</b> command in router configuration mode.
<b>Step 5</b>	<b>end</b> <b>Example:</b> Device (config-if) # <b>end</b>	Exits interface configuration mode and returns the device to privileged EXEC mode.
<b>Step 6</b>	<b>show bfd neighbors [details]</b> <b>Example:</b> Device# <b>show bfd neighbors details</b>	(Optional) Displays information that can help verify if the BFD neighbor is active and displays the routing protocols that BFD has registered.  <b>Note</b> If hardware-offloaded BFD sessions are configured with Tx and Rx intervals that are not multiples of 50 ms, the hardware intervals are changed. However, output from the <b>show bfd neighbors details</b> command displays only the configured intervals, not the interval values that change.

	Command or Action	Purpose
<b>Step 7</b>	<b>show ip ospf</b> <b>Example:</b> Device# <b>show ip ospf</b>	(Optional) Displays information that can help verify if BFD support for OSPF has been enabled.

## Configuring BFD Support for HSRP

Perform this task to enable BFD support for Hot Standby Router Protocol (HSRP.) Repeat the steps in this procedure for each interface over which you want to run BFD sessions to HSRP peers.

HSRP supports BFD by default. If HSRP support for BFD has been manually disabled, you can reenable it at the device level to enable BFD support globally for all interfaces or on a per-interface basis at the interface level.

### Before you begin

- HSRP must be running on all participating devices.
- Cisco Express Forwarding must be enabled.

### Procedure

	Command or Action	Purpose
<b>Step 1</b>	<b>enable</b> <b>Example:</b> Device> <b>enable</b>	Enables privileged EXEC mode. Enter your password if prompted.
<b>Step 2</b>	<b>configure terminal</b> <b>Example:</b> Device# <b>configure terminal</b>	Enters global configuration mode.
<b>Step 3</b>	<b>ip cef [distributed]</b> <b>Example:</b> Device (config)# <b>ip cef</b>	Enables Cisco Express Forwarding or distributed Cisco Express Forwarding.
<b>Step 4</b>	<b>interface type number</b> <b>Example:</b> Device (config)# <b>interface FastEthernet 6/0</b>	Enters interface configuration mode.
<b>Step 5</b>	<b>ip address ip-address mask</b> <b>Example:</b>	Configures an IP address for the interface.

	Command or Action	Purpose
	Device (config-if) # <b>ip address 10.1.0.22 255.255.0.0</b>	
<b>Step 6</b>	<b>standby [group-number] ip [ip-address [secondary]]</b>  <b>Example:</b>  Device (config-if) # <b>standby 1 ip 10.0.0.11</b>	Activates HSRP.
<b>Step 7</b>	<b>standby bfd</b>  <b>Example:</b>  Device (config-if) # <b>standby bfd</b>	(Optional) Enables HSRP support for BFD on the interface.
<b>Step 8</b>	<b>exit</b>  <b>Example:</b>  Device (config-if) # <b>exit</b>	Exits interface configuration mode.
<b>Step 9</b>	<b>standby bfd all-interfaces</b>  <b>Example:</b>  Device (config) # <b>standby bfd all-interfaces</b>	(Optional) Enables HSRP support for BFD on all interfaces.
<b>Step 10</b>	<b>exit</b>  <b>Example:</b>  Device (config) # <b>exit</b>	Exits global configuration mode.
<b>Step 11</b>	<b>show standby neighbors</b>  <b>Example:</b>  Device# <b>show standby neighbors</b>	(Optional) Displays information about HSRP support for BFD.

## Configuring BFD for BGP IPv6 Neighbors

When it has been verified that BFD neighbors are up, the **show bgp ipv6 unicast neighbors** command indicates that BFD is being used to detect fast fallover on the specified neighbor. The following steps show how to configure BFD for BGP IPv6 neighbors:

### Procedure

	Command or Action	Purpose
<b>Step 1</b>	<b>enable</b>  <b>Example:</b>	Enables privileged EXEC mode.  Enter your password if prompted.

	Command or Action	Purpose
	Device> <b>enable</b>	
<b>Step 2</b>	<b>configure terminal</b> <b>Example:</b> Device# <b>configure terminal</b>	Enters global configuration mode.
<b>Step 3</b>	<b>ipv6 unicast-routing</b> <b>Example:</b> Device (config)# <b>ipv6 unicast-routing</b>	Enables the forwarding of IPv6 unicast datagrams.
<b>Step 4</b>	<b>ipv6 cef</b> <b>Example:</b> Device (config)# <b>ipv6 cef</b>	Enables Cisco Express Forwarding for IPv6.
<b>Step 5</b>	<b>interface type-number</b> <b>Example:</b> Device (config)# <b>interface fastethernet 0/1</b>	Configures an interface type and number.
<b>Step 6</b>	<b>ipv6 address ipv6-address / prefix-length</b> <b>Example:</b> Device (config-if)# <b>ipv6 address 2001:DB8:1:1::1/64</b>	Configures an IPv6 address and enables IPv6 processing on an interface.
<b>Step 7</b>	<b>bfd interval milliseconds min_rx milliseconds multiplier multiplier-value</b> <b>Example:</b> Device (config-if)# <b>bfd interval 500 min_rx 500 multiplier 3</b>	Sets the baseline BFD session parameters on an interface.
<b>Step 8</b>	<b>no shutdown</b> <b>Example:</b> Device (config-if)# <b>no shutdown</b>	Restarts an interface.
<b>Step 9</b>	<b>exit</b> <b>Example:</b> Device (config-if)# <b>exit</b>	Exits interface configuration mode and enters global configuration mode.
<b>Step 10</b>	<b>router bgp autonomous-system-number</b> <b>Example:</b> Device (config)# <b>router bgp 40000</b>	Enters router configuration mode for the specified routing process.
<b>Step 11</b>	<b>no bgp default ipv4-unicast</b> <b>Example:</b> Device (config-router)# <b>no bgp default ipv4-unicast</b>	Disables the default IPv4 unicast address family for establishing peering sessions.  We recommend configuring this command in the global scope.

	Command or Action	Purpose
<b>Step 12</b>	<b>address-family ipv6</b> [ <i>vrf vrf-name</i> ] [ <i>unicast   multicast   vpv6</i> ]  <b>Example:</b> Device (config-router) # <b>address-family ipv6</b>	Enters address family configuration mode and enables IPv6 addressing.
<b>Step 13</b>	<b>neighbor ipv6-address remote-as</b> <i>autonomous-system-number</i>  <b>Example:</b> Device (config-router-af) # <b>neighbor 2001:DB8:2:1::4 remote-as 45000</b>	Adds the IP address of the neighbor in the specified autonomous system to the IPv6 BGP neighbor table of the local device.
<b>Step 14</b>	<b>neighbor ipv6-address fall-over bfd</b>  <b>Example:</b> Device (config-router-af) # <b>neighbor 2001:DB8:2:1::4 fall-over bfd</b>	Enables BGP to monitor the peering session of an IPv6 neighbor using BFD.
<b>Step 15</b>	<b>end</b>  <b>Example:</b> Device (config-router-af) # <b>end</b>	Exits address family configuration mode and enters privileged EXEC mode.

## Configuring BFD Support for Static Routing

Perform this task to configure BFD support for static routing. Repeat the steps in this procedure on each BFD neighbor. For more information, see the "Example: Configuring BFD Support for Static Routing" section.

### Procedure

	Command or Action	Purpose
<b>Step 1</b>	<b>enable</b>  <b>Example:</b> Device> <b>enable</b>	Enables privileged EXEC mode.  Enter your password if prompted.
<b>Step 2</b>	<b>configure terminal</b>  <b>Example:</b> Device# <b>configure terminal</b>	Enters global configuration mode.
<b>Step 3</b>	<b>interface type number</b>  <b>Example:</b> Device (config) # <b>interface serial 2/0</b>	Configures an interface and enters interface configuration mode.

	Command or Action	Purpose
<b>Step 4</b>	<p>Perform one of the following steps:</p> <ul style="list-style-type: none"> <li>• <b>ip address</b> <i>ipv4-address mask</i></li> <li>• <b>ipv6 address</b> <i>ipv6-address/mask</i></li> </ul> <p><b>Example:</b></p> <p>Configuring an IPv4 address for the interface:</p> <pre>Device(config-if)#ip address 10.201.201.1 255.255.255.0</pre> <p>Configuring an IPv6 address for the interface:</p> <pre>Device(config-if)#ipv6 address 2001:db8:1:1::1/32</pre>	Configures an IP address for the interface.
<b>Step 5</b>	<p><b>bfd interval</b> <i>milliseconds min_rx milliseconds multiplier interval-multiplier</i></p> <p><b>Example:</b></p> <pre>Device(config-if)#bfd interval 500 min_rx 500 multiplier 5</pre>	<p>Enables BFD on the interface.</p> <p>The bfd interval configuration is removed when the subinterface on which it is configured is removed.</p> <p>The bfd interval configuration is not removed when:</p> <ul style="list-style-type: none"> <li>• an IPv4 address is removed from an interface</li> <li>• an IPv6 address is removed from an interface</li> <li>• IPv6 is disabled from an interface.</li> <li>• an interface is shutdown</li> <li>• IPv4 CEF is disabled globally or locally on an interface.</li> <li>• IPv6 CEF is disabled globally or locally on an interface.</li> </ul>
<b>Step 6</b>	<p><b>exit</b></p> <p><b>Example:</b></p> <pre>Device(config-if)#exit</pre>	Exits interface configuration mode and returns to global configuration mode.
<b>Step 7</b>	<p><b>ip route static bfd</b> <i>interface-type interface-number ip-address [group group-name [passive]]</i></p> <p><b>Example:</b></p> <pre>Device(config)#ip route static bfd</pre>	<p>Specifies a static route BFD neighbor.</p> <ul style="list-style-type: none"> <li>• The <i>interface-type</i>, <i>interface-number</i>, and <i>ip-address</i> arguments are required because BFD support exists only for directly connected neighbors.</li> </ul>

	Command or Action	Purpose
	<code>TenGigabitEthernet1/0/1 10.10.10.2 group group1 passive</code>	
<b>Step 8</b>	<p><b>ip route</b> [vrf vrf-name] prefix mask {ip-address   interface-type interface-number [ip-address]} [dhcp] [distance] [name next-hop-name] [permanent   track number] [tag tag]</p> <p><b>Example:</b></p> <pre>Device(config)#ip route 10.0.0.0 255.0.0.0</pre>	Specifies a static route BFD neighbor.
<b>Step 9</b>	<p><b>exit</b></p> <p><b>Example:</b></p> <pre>Device(config)#exit</pre>	Exits global configuration mode and returns to privileged EXEC mode.
<b>Step 10</b>	<p><b>show ip static route</b></p> <p><b>Example:</b></p> <pre>Device#show ip static route</pre>	(Optional) Displays static route database information.
<b>Step 11</b>	<p><b>show ip static route bfd</b></p> <p><b>Example:</b></p> <pre>Device#show ip static route bfd</pre>	(Optional) Displays information about the static BFD configuration from the configured BFD groups and nongroup entries.
<b>Step 12</b>	<p><b>exit</b></p> <p><b>Example:</b></p> <pre>Device#exit</pre>	Exits privileged EXEC mode and returns to user EXEC mode.

## Configuring BFD Echo Mode

BFD echo mode is enabled by default, but you can disable it such that it can run independently in each direction.

BFD echo mode works with asynchronous BFD. Echo packets are sent by the forwarding engine and forwarded back along the same path in order to perform detection--the BFD session at the other end does not participate in the actual forwarding of the echo packets. The echo function and the forwarding engine are responsible for the detection process; therefore, the number of BFD control packets that are sent out between two BFD neighbors is reduced. In addition, because the forwarding engine is testing the forwarding path on the remote (neighbor) system without involving the remote system, there is an opportunity to improve the interpacket delay variance, thereby achieving quicker failure detection times than when using BFD Version 0 with BFD control packets for the BFD session.

Echo mode is described as without asymmetry when it is running on both sides (both BFD neighbors are running echo mode).



## Prerequisites

- BFD must be running on all participating devices.
- Before using BFD echo mode, you must disable the sending of Internet Control Message Protocol (ICMP) redirect messages by entering the **no ip redirects** command, in order to avoid high CPU utilization.
- The baseline parameters for BFD sessions on the interfaces over which you want to run BFD sessions to BFD neighbors must be configured. See the Configuring BFD Session Parameters on the Interface section for more information.

## Restrictions

BFD echo mode does not work with Unicast Reverse Path Forwarding (uRPF) configuration. If BFD echo mode and uRPF configurations are enabled, then the sessions will flap.

## Disabling BFD Echo Mode Without Asymmetry

The steps in this procedure show how to disable BFD echo mode without asymmetry—no echo packets will be sent by the device, and the device will not forward BFD echo packets that are received from any neighbor devices.

Repeat the steps in this procedure for each BFD Device.

### Procedure

	Command or Action	Purpose
<b>Step 1</b>	<b>enable</b> <b>Example:</b>  Device> <b>enable</b>	Enables privileged EXEC mode. Enter your password if prompted.
<b>Step 2</b>	<b>configure terminal</b> <b>Example:</b>  Device# <b>configure terminal</b>	Enters global configuration mode.
<b>Step 3</b>	<b>no bfd echo</b> <b>Example:</b>  Device(config)# <b>no bfd echo</b>	Disables BFD echo mode. Use the <b>no</b> form to disable BFD echo mode.
<b>Step 4</b>	<b>end</b> <b>Example:</b>  Device(config)# <b>end</b>	Exits global configuration mode and returns to privileged EXEC mode.

## Creating and Configuring BFD Templates

You can configure a single-hop template to specify a set of BFD interval values. BFD interval values specified as part of the BFD template are not specific to a single interface.



**Note** Configuring BFD-template will disable echo mode.

### Configuring a Single-Hop Template

Perform this task to create a BFD single-hop template and configure BFD interval timers.

#### Procedure

	Command or Action	Purpose
<b>Step 1</b>	<b>enable</b> <b>Example:</b>  Device> <b>enable</b>	Enables privileged EXEC mode.  Enter your password if prompted.
<b>Step 2</b>	<b>configure terminal</b> <b>Example:</b>  Device# <b>configure terminal</b>	Enters global configuration mode.
<b>Step 3</b>	<b>bfd-template single-hop <i>template-name</i></b> <b>Example:</b>  Device (config) # <b>bfd-template single-hop</b> <b>bfdtemplate1</b>	Creates a single-hop BFD template and enters BFD configuration mode.
<b>Step 4</b>	<b>interval min-tx <i>milliseconds</i> min-rx <i>milliseconds</i> multiplier <i>multiplier-value</i></b> <b>Example:</b>  Device (bfd-config) # <b>interval min-tx 120</b> <b>min-rx 100 multiplier 3</b>	Configures the transmit and receive intervals between BFD packets, and specifies the number of consecutive BFD control packets that must be missed before BFD declares that a peer is unavailable.
<b>Step 5</b>	<b>end</b> <b>Example:</b>  Device (bfd-config) # <b>end</b>	Exits BFD configuration mode and returns the device to privileged EXEC mode.

## Monitoring and Troubleshooting BFD

This section describes how to retrieve BFD information for maintenance and troubleshooting. The commands in these tasks can be entered in any order as needed.

This section contains information for monitoring and troubleshooting BFD for the following Cisco platforms:

## Monitoring and Troubleshooting BFD

To monitor or troubleshoot BFD, perform one or more of the steps in this section.

### Procedure

	Command or Action	Purpose
<b>Step 1</b>	<b>enable</b> <b>Example:</b>  Device>enable	Enables privileged EXEC mode.  Enter your password if prompted.
<b>Step 2</b>	<b>show bfd neighbors [details]</b> <b>Example:</b>  Device#show bfd neighbors details	(Optional) Displays the BFD adjacency database.  The <b>details</b> keyword shows all BFD protocol parameters and timers per neighbor.
<b>Step 3</b>	<b>debug bfd [packet   event]</b> <b>Example:</b>  Device#debug bfd packet	(Optional) Displays debugging information about BFD packets.

## Configuration Example: Configuring BFD for a BGP IPv6 Neighbor

The following example configures FastEthernet interface 0/1 with the IPv6 address 2001:DB8:4:1::1. Bidirectional Forwarding Detection (BFD) is configured for the BGP neighbor at 2001:DB8:5:1::2. BFD will track forwarding path failure of the BGP neighbor and provide faster reconvergence time for BGP after a forwarding path failure.

```
Device(config)#ipv6 unicast-routing
Device(config)#ipv6 cef
Device(config)#interface fastethernet 0/1
Device(config-if)#ipv6 address 2001:DB8:4:1::1/64
Device(config-if)#bfd interval 500 min_rx 500 multiplier 3
Device(config-if)#no shutdown
Device(config-if)#exit
Device(config)#router bgp 65000
Device(config-router)#no bgp default ipv4-unicast
Device(config-router)#address-family ipv6 unicast
Device(config-router-af)#neighbor 2001:DB8:5:1::2 remote-as 65001
Device(config-router-af)#neighbor 2001:DB8:5:1::2 fall-over bfd
Device(config-router-af)#end
```

# Feature History for Configuring Bidirectional Forwarding Detection

This table provides release and related information for the features explained in this module.

These features are available in all the releases subsequent to the one they were introduced in, unless noted otherwise.

Release	Feature	Feature Information
Cisco IOS XE Everest 16.5.1a	Bidirectional Forwarding Detection	BFD is a detection protocol that is designed to provide fast forwarding path failure detection times for all media types, encapsulations, topologies, and routing protocols.  Support for this feature was introduced only on the C9500-12Q, C9500-16X, C9500-24Q, C9500-40X models of the Cisco Catalyst 9500 Series Switches.
Cisco IOS XE Fuji 16.8.1a	Bidirectional Forwarding Detection	Support for this feature was introduced only on the C9500-32C, C9500-32QC, C9500-48Y4C, and C9500-24Y4C models of the Cisco Catalyst 9500 Series Switches.
Cisco IOS XE Gibraltar 16.11.1	BFD forwarding on point-to-point IPv4, IPv6, and GRE tunnels	Support for BFD forwarding on point-to-point IPv4, IPv6, and generic routing encapsulation (GRE) tunnels  Support for this feature was introduced only on the C9500-32C, C9500-32QC, C9500-48Y4C, and C9500-24Y4C models of the Cisco Catalyst 9500 Series Switches.
Cisco IOS XE Gibraltar 16.11.1	BFD configuration for IPv6 BGP neighbors	Support for BFD configuration for BGP neighbors that have an IPv6 address was introduced.  Support for this feature was introduced only on the C9500-32C, C9500-32QC, C9500-48Y4C, and C9500-24Y4C models of the Cisco Catalyst 9500 Series Switches.

Release	Feature	Feature Information
Cisco IOS XE Gibraltar 16.11.1	BFD protocol between PE-CE and PE-P	Support for configuration of BFD protocol between PE-CE and PE-P was introduced.  Support for this feature was introduced only on the C9500-32C, C9500-32QC, C9500-48Y4C, and C9500-24Y4C models of the Cisco Catalyst 9500 Series Switches.
Cisco IOS XE Cupertino 17.7.1	Bidirectional Forwarding Detection	Support for this feature was introduced on the C9500X-28C8D model of the Cisco Catalyst 9500 Series Switches.

Use the Cisco Feature Navigator to find information about platform and software image support. To access Cisco Feature Navigator, go to <http://www.cisco.com/go/cfn>.





## CHAPTER 2

# Configuring BFD Support for EIGRP IPv6

- [Prerequisites for BFD Support for EIGRP IPv6, on page 29](#)
- [Restrictions for BFD Support for EIGRP IPv6, on page 29](#)
- [Information About BFD Support for EIGRP IPv6, on page 29](#)
- [How to Configure BFD Support for EIGRP IPv6, on page 30](#)
- [Configuration Examples for BFD Support for EIGRP IPv6, on page 33](#)
- [Additional References, on page 34](#)
- [Feature History for Configuring BFD Support for EIGRP IPv6, on page 35](#)

## Prerequisites for BFD Support for EIGRP IPv6

EIGRP IPv6 sessions have a shutdown option in router, address family, and address-family interface configuration modes. To enable BFD support on EIGRP IPv6 sessions, the routing process should be in no shut mode in the abovementioned modes.

## Restrictions for BFD Support for EIGRP IPv6

- The BFD Support for EIGRP IPv6 feature is supported only in EIGRP named mode.
- EIGRP supports only single-hop Bidirectional Forwarding Detection (BFD).
- The BFD Support for EIGRP IPv6 feature is not supported on passive interfaces.

## Information About BFD Support for EIGRP IPv6

The BFD Support for EIGRP IPv6 feature provides Bidirectional Forwarding Detection (BFD) support for Enhanced Interior Gateway Routing Protocol (EIGRP) IPv6 sessions. It facilitates rapid fault detection and alternate-path selection in EIGRP IPv6 topologies. BFD is a detection protocol that provides a consistent failure-detection method for network administrators. Network administrators use BFD to detect forwarding path failures at a uniform rate and not at variable rates for 'Hello' mechanisms of different routing protocols. This failure-detection methodology ensures easy network profiling and planning and consistent and predictable reconvergence time. This document provides information about BFD support for EIGRP IPv6 networks and explains how to configure BFD support in EIGRP IPv6 networks.

# How to Configure BFD Support for EIGRP IPv6

The following sections provide information on configuring BFD support for EIGRP IPv6 for an interface and all interfaces.

## Configuring BFD Support on All Interfaces

The following steps show how to configure BFD support on all interfaces:

### Procedure

	Command or Action	Purpose
<b>Step 1</b>	<b>enable</b> <b>Example:</b> Device> <b>enable</b>	Enables privileged EXEC mode. Enter your password if prompted.
<b>Step 2</b>	<b>configure terminal</b> <b>Example:</b> Device# <b>configure terminal</b>	Enters global configuration mode.
<b>Step 3</b>	<b>ipv6 unicast-routing</b> <b>Example:</b> Device (config)# <b>ipv6 unicast-routing</b>	Enables the forwarding of IPv6 unicast datagrams.
<b>Step 4</b>	<b>interface</b> <i>type number</i> <b>Example:</b> Device (config)# <b>interface ethernet0/0</b>	Specifies the interface type and number, and enters the interface configuration mode.
<b>Step 5</b>	<b>ipv6 address</b> <i>ipv6-address/prefix-length</i> <b>Example:</b> Device (config-if)# <b>ipv6 address 2001:DB8:A:B::1/64</b>	Configures an IPv6 address.
<b>Step 6</b>	<b>bfd interval</b> <i>milliseconds min_rx milliseconds multiplier interval-multiplier</i> <b>Example:</b> Device (config-if)# <b>bfd interval 50 min_rx 50 multiplier 3</b>	Sets the baseline BFD session parameters on an interface.
<b>Step 7</b>	<b>exit</b> <b>Example:</b> Device (config-if)# <b>exit</b>	Exits interface configuration mode and returns to global configuration mode.
<b>Step 8</b>	<b>router eigrp</b> <i>virtual-name</i> <b>Example:</b>	Specifies an EIGRP routing process and enters router configuration mode.



	Command or Action	Purpose
	Device(config)# <b>router eigrp name</b>	
<b>Step 9</b>	<b>address-family ipv6 autonomous-system as-number</b>  <b>Example:</b> Device(config-router)# <b>address-family ipv6 autonomous-system 3</b>	Enters address family configuration mode for IPv6 and configures an EIGRP routing instance.
<b>Step 10</b>	<b>eigrp router-id ip-address</b>  <b>Example:</b> Device(config-router-af)# <b>eigrp router-id 172.16.1.3</b>	Sets the device ID used by EIGRP for this address family when EIGRP peers communicate with their neighbors.
<b>Step 11</b>	<b>af-interface default</b>  <b>Example:</b> Device(config-router-af)# <b>af-interface default</b>	Configures interface-specific commands on all interfaces that belong to an address family in EIGRP named mode configurations. Enters address-family interface configuration mode.
<b>Step 12</b>	<b>bfd</b>  <b>Example:</b> Device(config-router-af-interface)# <b>bfd</b>	Enables BFD on all interfaces.
<b>Step 13</b>	<b>End</b>  <b>Example:</b> Device(config-router-af-interface)# <b>end</b>	Exits address-family interface configuration mode and returns to privileged EXEC mode.
<b>Step 14</b>	<b>show eigrp address-family ipv6 neighbors detail</b>  <b>Example:</b> Device# <b>show eigrp address-family ipv6 neighbors detail</b>	(Optional) Displays detailed information about the neighbors that are discovered by EIGRP with BFD enabled on an interface.
<b>Step 15</b>	<b>show bfd neighbors</b>  <b>Example:</b> Device# <b>show bfd neighbors</b>	(Optional) Displays BFD information to neighbors.

## Configuring BFD Support on an Interface

The following steps show how to configure BFD support on an interface:

### Procedure

	Command or Action	Purpose
<b>Step 1</b>	<b>enable</b>  <b>Example:</b>	Enables privileged EXEC mode.  Enter your password if prompted.

	Command or Action	Purpose
	Device> <b>enable</b>	
<b>Step 2</b>	<b>configure terminal</b> <b>Example:</b> Device# <b>configure terminal</b>	Enters global configuration mode.
<b>Step 3</b>	<b>ipv6 unicast-routing</b> <b>Example:</b> Device(config)# <b>ipv6 unicast-routing</b>	Enables the forwarding of IPv6 unicast datagrams.
<b>Step 4</b>	<b>interface</b> <i>type number</i> <b>Example:</b> Device(config)# <b>interface ethernet0/0</b>	Specifies the interface type and number, and enters the interface configuration mode.
<b>Step 5</b>	<b>ipv6 address</b> <i>ipv6-address /prefix-length</i> <b>Example:</b> Device(config-if)# <b>ipv6 address 2001:DB8:A:B::1/64</b>	Configures an IPv6 address.
<b>Step 6</b>	<b>bfd interval</b> <i>milliseconds min_rx milliseconds multiplier interval-multiplier</i> <b>Example:</b> Device(config-if)# <b>bfd interval 50 min_rx 50 multiplier 3</b>	Sets the baseline BFD session parameters on an interface.
<b>Step 7</b>	<b>exit</b> <b>Example:</b> Device(config-if)# <b>exit</b>	Exits interface configuration mode and returns to global configuration mode.
<b>Step 8</b>	<b>router eigrp</b> <i>virtual-name</i> <b>Example:</b> Device(config)# <b>router eigrp name</b>	Specifies an EIGRP routing process and enters router configuration mode.
<b>Step 9</b>	<b>address-family ipv6 autonomous-system</b> <i>as-number</i> <b>Example:</b> Device(config-router)# <b>address-family ipv6 autonomous-system 3</b>	Enters address family configuration mode for IPv6 and configures an EIGRP routing instance.
<b>Step 10</b>	<b>eigrp router-id</b> <i>ip-address</i> <b>Example:</b> Device(config-router-af)# <b>eigrp router-id 172.16.1.3</b>	Sets the device ID used by EIGRP for this address family when EIGRP peers communicate with their neighbors.
<b>Step 11</b>	<b>af-interface</b> <i>interface-type interface-number</i> <b>Example:</b>	Configures interface-specific commands on an interface that belongs to an address family in

	Command or Action	Purpose
	Device(config-router-af)# <b>af-interface ethernet0/0</b>	an EIGRP named mode configuration. Enters address-family interface configuration mode.
<b>Step 12</b>	<b>bfd</b> <b>Example:</b> Device(config-router-af-interface)# <b>bfd</b>	Enables BFD on the specified interface.
<b>Step 13</b>	<b>end</b> <b>Example:</b> Device(config-router-af-interface)# <b>end</b>	Exits address-family interface configuration mode and returns to privileged EXEC mode.
<b>Step 14</b>	<b>show eigrp address-family ipv6 neighbors</b> <b>Example:</b> Device# <b>show eigrp address-family ipv6 neighbors</b>	(Optional) Displays neighbors for which have BFD enabled.
<b>Step 15</b>	<b>show bfd neighbors</b> <b>Example:</b> Device# <b>show bfd neighbors</b>	(Optional) Displays BFD information to neighbors.

## Configuration Examples for BFD Support for EIGRP IPv6

The following sections provide configuration examples for BFD support for EIGRP:

### Example: Configuring BFD Support on All Interfaces

```
Device> enable
Device# configure terminal
Device(config)# ipv6 unicast-routing
Device(config)# interface Ethernet0/0
Device(config-if)# ipv6 address 2001:0DB8:1::12/64
Device(config-if)# bfd interval 50 min_rx 50 multiplier 3
Device(config-if)# exit
Device(config)# router eigrp name
Device(config-router)# address-family ipv6 unicast autonomous-system 1
Device(config-router-af)# eigrp router-id 172.16.0.1
Device(config-router-af)# af-interface default
Device(config-router-af-interface)# bfd
Device(config-router-af-interface)# end
```

The following example displays the output for the **show eigrp address-family ipv6 neighbors detail** command.

```
Device# show eigrp address-family ipv6 neighbors detail
EIGRP-IPv6 VR(test) Address-Family Neighbors for AS(5)
H   Address                               Interface                               Hold Uptime   SRTT   RTO   Q   Seq
                               (sec)                (ms)                Cnt Num
0   Link-local address:                   Et0/0                               14 00:02:04   1   4500  0   4
    FE80::10:2
Version 23.0/2.0, Retrans: 2, Retries: 0, Prefixes: 1
Topology-ids from peer - 0
```

### Example: Configuring BFD Support on an Interface

```

    Topologies advertised to peer:   base

Max Nbrs: 0, Current Nbrs: 0

BFD sessions
NeighAddr      Interface
FE80::10:2     Ethernet0/0

```

The following example displays the output for the **show bfd neighbor** command.

```

Device# show bfd neighbors

IPv6 Sessions
NeighAddr      LD/RD      RH/RS      State      Int
FE80::10:2     2/0        Down       Down       Et0/0

```

## Example: Configuring BFD Support on an Interface

The following example shows how to configure BFD Support on an interface:

```

Device> enable
Device# configure terminal
Device(config)# ipv6 unicast-routing
Device(config)# Ethernet0/0
Device(config-if)# ipv6 address 2001:DB8:A:B::1/64
Device(config-if)# bfd interval 50 min_rx 50 multiplier 3
Device(config-if)# exit
Device(config)# router eigrp name
Device(config-router)# address-family ipv6 autonomous-system 3
Device(config-router-af)# af-interface Ethernet0/0
Device(config-router-af-interface)# bfd
Device(config-router-af-interface)# end

```

## Additional References

### Related Documents

Related Topic	Document Title
BFD commands: complete command syntax, command mode, command history, defaults, usage guidelines, and examples.	See the <i>IP Routing</i> section of the <i>Command Reference (Catalyst 9500 Series Switches)</i>
EIGRP commands: complete command syntax, command mode, command history, defaults, usage guidelines, and examples.	See the <i>IP Routing</i> section of the <i>Command Reference (Catalyst 9500 Series Switches)</i>
Configuring EIGRP	See the <i>Routing</i> section of the <i>Software Configuration Guide (Catalyst 9500 Switches)</i>

## Feature History for Configuring BFD Support for EIGRP IPv6

This table provides release and related information for the features explained in this module.

These features are available in all the releases subsequent to the one they were introduced in, unless noted otherwise.

Release	Feature	Feature Information
Cisco IOS XE Gibraltar 16.11.1	BFD Support for EIGRP IPv6	The BFD Support for EIGRP IPv6 feature provides BFD support for EIGRP IPv6 sessions.
Cisco IOS XE Cupertino 17.7.1	BFD Support for EIGRP IPv6	Support for this feature was introduced on the C9500X-28C8D model of the Cisco Catalyst 9500 Series Switches.

Use the Cisco Feature Navigator to find information about platform and software image support. To access Cisco Feature Navigator, go to <http://www.cisco.com/go/cfn>.





## CHAPTER 3

# Configuring BFD Multihop Support for IPv4 Static Routes

---

- [Prerequisites for BFD Multihop Support for IPv4 Static Routes, on page 37](#)
- [Information About BFD Multihop Support for IPv4 Static Routes, on page 37](#)
- [Configuring BFD Multihop IPv4 Static Routes, on page 38](#)
- [Verifying BFD Multihop Support for IPv4 Static Routes, on page 39](#)
- [Configuration Examples for BFD Multihop Support for IPv4 Static Routes, on page 39](#)
- [Additional References for BFD Multihop Support for IPv4 Static Routes, on page 40](#)
- [Feature History for BFD Multihop Support for IPv4 Static Routes, on page 40](#)

## Prerequisites for BFD Multihop Support for IPv4 Static Routes

- The BFD destination, for which an IPv4 static route is to be configured, must be reachable by all devices.
- The configured device must have at least one static route, with the next-hop destination as a BFD destination, for an associated session. If not, the BFD session will not be created on the device.

## Information About BFD Multihop Support for IPv4 Static Routes

The BFD Multihop Support for IPv4 Static Routes feature enables detection of a IPv4 network failure between paths that are not directly connected. IPv4 static routes that are associated with a IPv4 static BFD configuration are added to a routing table when a BFD session is up. If the BFD session is down, the routing table removes all associated static routes from the routing table.

This feature is applicable on different kinds of interfaces such as physical, subinterface, and virtual tunnels and across intra-area and interarea topologies.

## BFDv4 Associated Mode

In Bidirectional Forwarding Detection for IPv4 (BFDv4) associated mode, an IPv4 static route is automatically associated with an IPv4 static BFDv4 multihop destination address if the static route next hop exactly matches the static BFDv4 multihop destination address.

The state of the BFDv4 session determines whether the IPv4 routing information base (RIB) adds the associated IPv4 static routes. For example, IPv4 RIB adds the static routes only if the BFDv4 multihop destination is reachable. The IPv4 RIB removes the static routes if the BFDv4 multihop destination subsequently becomes unreachable.

## BFDv4 Unassociated Mode

In Bidirectional Forwarding Detection for IPv4 (BFDv4), an IPv4 static BFD multihop destination can be configured in unassociated mode. In unassociated mode, a BFD neighbor is not associated with a static route. And the BFD sessions are requested if the IPv4 static BFD is configured.

Unassociated mode is useful in the following scenario:

- Absence of an IPv4 static route—This scenario occurs when a static route is on device A, and device B is the next hop. In associated mode, you must create both a static BFD multihop destination address and a static route on both devices to bring up the BFDv4 session from device B to device A. Specifying the static BFD multihop destination in unassociated mode on device B avoids the need to configure an unwanted static route.

## Configuring BFD Multihop IPv4 Static Routes

### Before you begin

- Specify a BFD destination address which is the same as the IPv4 static route next hop or gateway address.
- Configure a BFD map and a BFD multihop template for an interface on the device. The destination address and the source address that is configured for a BFD map must match the BFD static multihop configuration. The source address must be a valid IP address that is configured for an interface in the routing table.

### Procedure

	Command or Action	Purpose
<b>Step 1</b>	<b>enable</b> <b>Example:</b> Device> enable	Enables privileged EXEC mode. <ul style="list-style-type: none"><li>• Enter your password if prompted.</li></ul>
<b>Step 2</b>	<b>configure terminal</b> <b>Example:</b> Device# configure terminal	Enters global configuration mode.
<b>Step 3</b>	<b>ip route</b> <i>prefix mask ip-address</i> <b>Example:</b> Device(config)# ip route 192.0.2.0 255.255.255.0 10.1.1.2	Configures an IPv4 static route that BFD multihop uses to monitor static routes.



	Command or Action	Purpose
<b>Step 4</b>	<b>ip route static bfd</b> <i>multihop-destination-address</i> <i>multihop-source-address</i>  <b>Example:</b> <pre>Device(config)# ip route static bfd 192.0.2.1 10.1.1.1</pre>	Configures the static IPv4 BFD multihop to be associated with a static IPv4 route.
<b>Step 5</b>	<b>ip route static bfd</b> <i>multihop-destination-address</i> <i>multihop-source-address</i> <b>unassociate</b>  <b>Example:</b> <pre>Device(config)# ip route static bfd 192.0.2.1 10.1.1.1 unassociate</pre>	(Optional) Configures the static IPv4 BFD multihop to be associated with a static IPv4 route in unassociated mode.
<b>Step 6</b>	<b>end</b>  <b>Example:</b> <pre>Device(config)# end</pre>	Exits global configuration mode and returns to privileged EXEC mode.

## Verifying BFD Multihop Support for IPv4 Static Routes

The following show commands are used to verify IPv4 static routes for BFD multihop:

### Procedure

- 
- Step 1**    **show bfd neighbor**  
Displays a line-by-line listing of existing BFD adjacencies.
- Step 2**    **show ip static route bfd**  
Displays information about the IPv4 static BFD configured parameters.
- 

## Configuration Examples for BFD Multihop Support for IPv4 Static Routes

### Example: Configuring BFD Multihop for IPv4 Static Routes in Associated Mode

The following example shows how to configure BFD Multihop for IPv4 Static Routes in Associated Mode:

```

Device> enable
Device# configure terminal
Device(config)# bfd map ipv4 192.0.2.1/32 10.1.1.1/32 test
Device(config)# bfd-template multi-hop test
Device(config-bfd)# interval min-tx 51 min-rx 51 multiplier 3
Device(config-bfd)# exit
Device(config)# ip route 192.0.2.0 255.255.255.0 10.1.1.2
Device(config)# interface GigabitEthernet 1/1
Device(config-if)# ip address 10.1.1.1 255.255.0.0
Device(config-if)# exit
Device(config)# ip route static bfd 192.0.2.1 10.1.1.1
Device(config)# end

```

## Example: Configuring IPv4 Static Multihop for BFD in Unassociated Mode

The following example shows how to configure IPv4 Static Multihop for BFD in Unassociate Mode:

```

Device> enable
Device# configure terminal
Device(config)# bfd map ipv4 192.0.2.1/32 10.1.1.1/32 test
Device(config)# bfd-template multi-hop test
Device(config-bfd)# interval min-tx 51 min-rx 51 multiplier 3
Device(config-bfd)# exit
Device(config)# ip route 192.0.2.0 255.255.255.0 10.1.1.2
Device(config)# interface GigabitEthernet 1/1
Device(config-if)# ip address 10.1.1.1 255.255.0.0
Device(config-if)# exit
Device(config)# ip route static bfd 192.0.2.1 10.1.1.1 unassociate
Device(config)# end

```

## Additional References for BFD Multihop Support for IPv4 Static Routes

### Related Documents

Related Topic	Document Title
IP Routing: Protocol Independent commands	<a href="#">IP Routing Protocol-Independent Command Reference</a>

### Standards and RFCs

Standard/RFC	Title
RFC 5883	<i>BFD for Multihop Paths</i>

## Feature History for BFD Multihop Support for IPv4 Static Routes

This table provides release and related information for the features explained in this module.

These features are available in all the releases subsequent to the one they were introduced in, unless noted otherwise.

Release	Feature	Feature Information
Cisco IOS XE Gibraltar 16.11.1	BFD Multihop Support for IPv4 Static Routes	<p>The BFD Multihop Support for IPv4 Static Routes feature enables detection of a IPv4 network failure between paths that are not directly connected.</p> <p>Support for this feature was introduced only on the C9500-32C, C9500-32QC, C9500-48Y4C, and C9500-24Y4C models of the Cisco Catalyst 9500 Series Switches.</p>

Use the Cisco Feature Navigator to find information about platform and software image support. To access Cisco Feature Navigator, go to <http://www.cisco.com/go/cfn>.





## CHAPTER 4

# Configuring MSDP

---

- [Information About Configuring MSDP](#), on page 43
- [How to Configure MSDP](#), on page 46
- [Monitoring and Maintaining MSDP](#), on page 66
- [Configuration Examples for Configuring MSDP](#), on page 66
- [Feature History for Multicast Source Discovery Protocol](#), on page 68

## Information About Configuring MSDP

This section describes how to configure the Multicast Source Discovery Protocol (MSDP) on the switch. The MSDP connects multiple Protocol-Independent Multicast sparse-mode (PIM-SM) domains.

MSDP is not fully supported in this software release because of a lack of support for Multicast Border Gateway Protocol (MBGP), which works closely with MSDP. However, it is possible to create default peers that MSDP can operate with if MBGP is not running.



---

**Note** To use this feature, the active switch must be running the Network Advantage feature set.

---

## MSDP Overview

MSDP allows multicast sources for a group to be known to all rendezvous points (RPs) in different domains. Each PIM-SM domain uses its own RPs and does not depend on RPs in other domains. An RP runs MSDP over the Transmission Control Protocol (TCP) to discover multicast sources in other domains.

An RP in a PIM-SM domain has an MSDP peering relationship with MSDP-enabled devices in another domain. The peering relationship occurs over a TCP connection, primarily exchanging a list of sources sending to multicast groups. The TCP connections between RPs are achieved by the underlying routing system. The receiving RP uses the source lists to establish a source path.

The purpose of this topology is to have domains discover multicast sources in other domains. If the multicast sources are of interest to a domain that has receivers, multicast data is delivered over the normal, source-tree building mechanism in PIM-SM. MSDP is also used to announce sources sending to a group. These announcements must originate at the domain's RP.

MSDP depends heavily on the Border Gateway Protocol (BGP) or MBGP for interdomain operation. We recommend that you run MSDP in RPs in your domain that are RPs for sources sending to global groups to be announced to the Internet.

## MSDP Operation

When a source sends its first multicast packet, the first-hop router (*designated router* or RP) directly connected to the source sends a PIM register message to the RP. The RP uses the register message to register the active source and to forward the multicast packet down the shared tree in the local domain. With MSDP configured, the RP also forwards a source-active (SA) message to all MSDP peers. The SA message identifies the source, the group the source is sending to, and the address of the RP or the originator ID (the IP address of the interface used as the RP address), if configured.

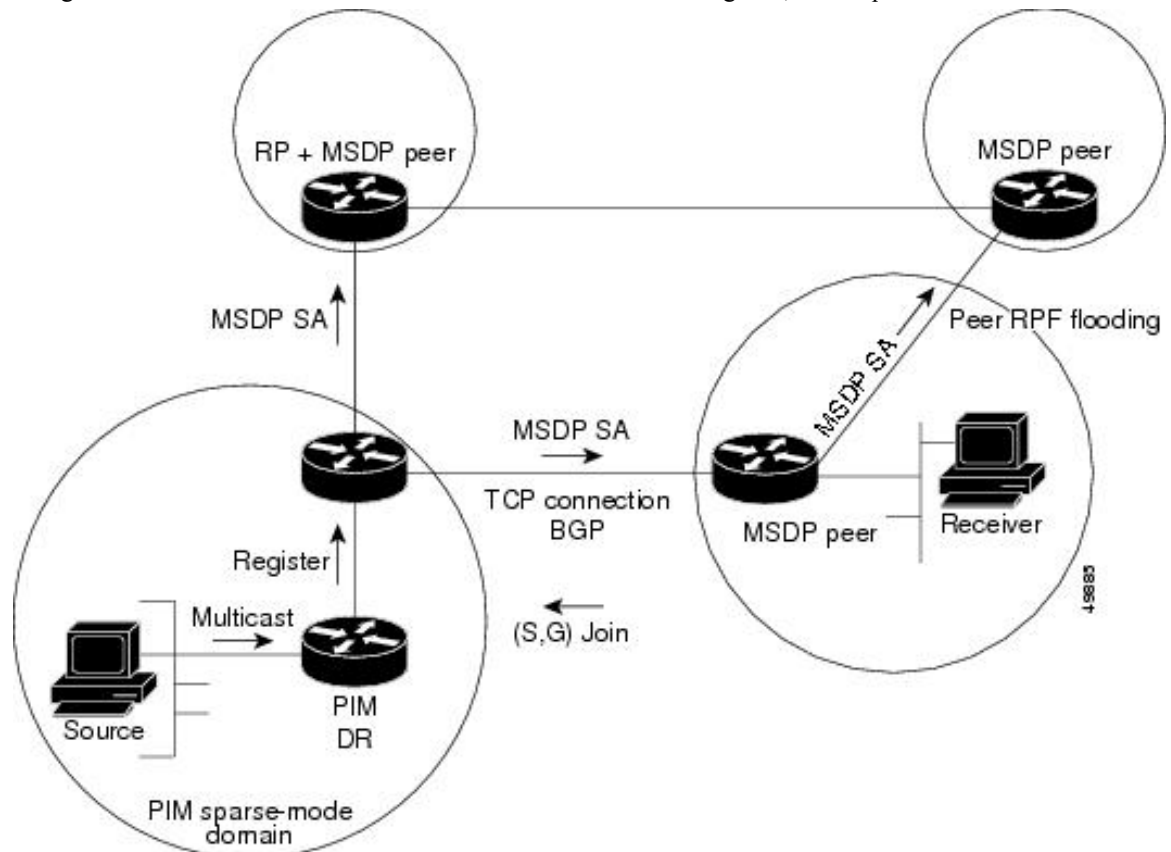
Each MSDP peer receives and forwards the SA message away from the originating RP to achieve peer reverse-path flooding (RPF). The MSDP device examines the BGP or MBGP routing table to discover which peer is the next hop toward the originating RP of the SA message. Such a peer is called an *RPF peer* (reverse-path forwarding peer). The MSDP device forwards the message to all MSDP peers other than the RPF peer. For information on how to configure an MSDP peer when BGP and MBGP are not supported, see the [Configuring a Default MSDP Peer, on page 46](#).

If the MSDP peer receives the same SA message from a non-RPF peer toward the originating RP, it drops the message. Otherwise, it forwards the message to all its MSDP peers.

The RP for a domain receives the SA message from an MSDP peer. If the RP has any join requests for the group the SA message describes and if the (\*,G) entry exists with a nonempty outgoing interface list, the domain is interested in the group, and the RP triggers an (S,G) join toward the source. After the (S,G) join reaches the source's DR, a branch of the source tree has been built from the source to the RP in the remote domain. Multicast traffic can now flow from the source across the source tree to the RP and then down the shared tree in the remote domain to the receiver.

**Figure 3: MSDP Running Between RP Peers**

This figure shows MSDP operating between two MSDP peers. PIM uses MSDP as the standard mechanism to register a source with the RP of a domain. When MSDP is configured, this sequence occurs.



By default, the switch does not cache source or group pairs from received SA messages. When the switch forwards the MSDP SA information, it does not store it in memory. Therefore, if a member joins a group soon after an SA message is received by the local RP, that member needs to wait until the next SA message to hear about the source. This delay is known as join latency.

Local RPs can send SA requests and get immediate responses for all active sources for a given group. By default, the switch does not send any SA request messages to its MSDP peers when a new member joins a group and wants to receive multicast traffic. The new member waits to receive the next periodic SA message.

If you want a new member of a group to learn the active multicast sources in a connected PIM sparse-mode domain that are sending to a group, configure the switch to send SA request messages to the specified MSDP peer when a new member joins a group.

## MSDP Benefits

MSDP has these benefits:

- It breaks up the shared multicast distribution tree. You can make the shared tree local to your domain. Your local members join the local tree, and join messages for the shared tree never need to leave your domain.

- PIM sparse-mode domains can rely only on their own RPs, decreasing reliance on RPs in another domain. This increases security because you can prevent your sources from being known outside your domain.
- Domains with only receivers can receive data without globally advertising group membership.
- Global source multicast routing table state is not required, saving memory.

## How to Configure MSDP

### Default MSDP Configuration

MSDP is not enabled, and no default MSDP peer exists.

### Configuring a Default MSDP Peer

#### Before you begin

Configure an MSDP peer.

#### Procedure

	Command or Action	Purpose
<b>Step 1</b>	<b>enable</b> <b>Example:</b> Device> <b>enable</b>	Enables privileged EXEC mode. <ul style="list-style-type: none"> <li>• Enter your password if prompted.</li> </ul>
<b>Step 2</b>	<b>configure terminal</b> <b>Example:</b> Device# <b>configure terminal</b>	Enters global configuration mode.
<b>Step 3</b>	<b>ip msdp default-peer</b> <i>ip-address</i>   <i>name</i> [ <b>prefix-list</b> <i>list</i> ] <b>Example:</b> Device(config)# <b>ip msdp default-peer</b> 10.1.1.1 <b>prefix-list site-a</b>	Defines a default peer from which to accept all MSDP SA messages. <ul style="list-style-type: none"> <li>• For <i>ip-address</i> / <i>name</i>, enter the IP address or Domain Name System (DNS) server name of the MSDP default peer.</li> <li>• (Optional) For <b>prefix-list</b> <i>list</i>, enter the list name that specifies the peer to be the default peer only for the listed prefixes. You can have multiple active default peers when you have a prefix list associated with each.</li> </ul>



	Command or Action	Purpose
		<p>When you enter multiple <b>ip msdp default-peer</b> commands with the <b>prefix-list</b> keyword, you use all the default peers at the same time for different RP prefixes. This syntax is typically used in a service provider cloud that connects stub site clouds.</p> <p>When you enter multiple <b>ip msdp default-peer</b> commands without the <b>prefix-list</b> keyword, a single active peer accepts all SA messages. If that peer fails, the next configured default peer accepts all SA messages. This syntax is typically used at a stub site.</p>
<b>Step 4</b>	<p><b>ip prefix-list</b> <i>name</i> [<i>description string</i>]   <b>seq number</b> {<b>permit</b>   <b>deny</b>} <i>network length</i></p> <p><b>Example:</b></p> <pre>Device(config)#ip prefix-list site-a seq 3 permit 12 network length 128</pre>	<p>(Optional) Creates a prefix list using the name specified in Step 2.</p> <ul style="list-style-type: none"> <li>• (Optional) For <b>description string</b>, enter a description of up to 80 characters to describe this prefix list.</li> <li>• For <b>seq number</b>, enter the sequence number of the entry. The range is 1 to 4294967294.</li> <li>• The <b>deny</b> keyword denies access to matching conditions.</li> <li>• The <b>permit</b> keyword permits access to matching conditions.</li> <li>• For <b>network length</b>, specify the network number and length (in bits) of the network mask that is permitted or denied.</li> </ul>
<b>Step 5</b>	<p><b>ip msdp description</b> {<i>peer-name</i>   <i>peer-address</i>} <i>text</i></p> <p><b>Example:</b></p> <pre>Device(config)#ip msdp description peer-name site-b</pre>	<p>(Optional) Configures a description for the specified peer to make it easier to identify in a configuration or in <b>show</b> command output.</p> <p>By default, no description is associated with an MSDP peer.</p>
<b>Step 6</b>	<p><b>end</b></p> <p><b>Example:</b></p> <pre>Device(config)#end</pre>	<p>Returns to privileged EXEC mode.</p>

	Command or Action	Purpose
<b>Step 7</b>	<b>show running-config</b> <b>Example:</b> Device# <code>show running-config</code>	Verifies your entries.
<b>Step 8</b>	<b>copy running-config startup-config</b> <b>Example:</b> Device# <code>copy running-config startup-config</code>	(Optional) Saves your entries in the configuration file.

## Caching Source-Active State

If you want to sacrifice some memory in exchange for reducing the latency of the source information, you can configure the device to cache SA messages. Perform the following steps to enable the caching of source/group pairs:

Follow these steps to enable the caching of source/group pairs:

### Procedure

	Command or Action	Purpose
<b>Step 1</b>	<b>enable</b> <b>Example:</b> Device> <code>enable</code>	Enables privileged EXEC mode. <ul style="list-style-type: none"> <li>• Enter your password if prompted.</li> </ul>
<b>Step 2</b>	<b>configure terminal</b> <b>Example:</b> Device# <code>configure terminal</code>	Enters global configuration mode.
<b>Step 3</b>	<b>ip msdp cache-sa-state [list access-list-number]</b> <b>Example:</b> Device (config)# <code>ip msdp cache-sa-state 100</code>	Enables the caching of source/group pairs (create an SA state). Those pairs that pass the access list are cached.  For <b>list access-list-number</b> , the range is 100 to 199.

	Command or Action	Purpose
		<p><b>Note</b> An alternative to this command is the <b>ip msdp sa-reques</b> global configuration command, which causes the device to send an SA request message to the MSDP peer when a new member for a group becomes active.</p>
<b>Step 4</b>	<p><b>access-list</b> <i>access-list-number</i> {<b>deny</b>   <b>permit</b>} <i>protocol source source-wildcard destination destination-wildcard</i></p> <p><b>Example:</b></p> <pre>Device(config)#<b>access-list</b> 100 <b>permit</b> ip 171.69.0.0 0.0.255.255 224.2.0.0 0.0.255.255</pre>	<p>Creates an IP extended access list, repeating the command as many times as necessary.</p> <ul style="list-style-type: none"> <li>For <i>access-list-number</i>, the range is 100 to 199. Enter the same number created in Step 2.</li> <li>The <b>deny</b> keyword denies access if the conditions are matched. The <b>permit</b> keyword permits access if the conditions are matched.</li> <li>For <i>protocol</i>, enter <b>ip</b> as the protocol name.</li> <li>For <i>source</i>, enter the number of the network or host from which the packet is being sent.</li> <li>For <i>source-wildcard</i>, enter the wildcard bits in dotted decimal notation to be applied to the source. Place ones in the bit positions that you want to ignore.</li> <li>For <i>destination</i>, enter the number of the network or host to which the packet is being sent.</li> <li>For <i>destination-wildcard</i>, enter the wildcard bits in dotted decimal notation to be applied to the destination. Place ones in the bit positions that you want to ignore.</li> </ul> <p>Recall that the access list is always terminated by an implicit deny statement for everything.</p>
<b>Step 5</b>	<p><b>end</b></p> <p><b>Example:</b></p> <pre>Device(config)#<b>end</b></pre>	Returns to privileged EXEC mode.
<b>Step 6</b>	<p><b>show running-config</b></p> <p><b>Example:</b></p>	Verifies your entries.

	Command or Action	Purpose
	Device# <code>show running-config</code>	
<b>Step 7</b>	<b>copy running-config startup-config</b> <b>Example:</b> Device# <code>copy running-config startup-config</code>	(Optional) Saves your entries in the configuration file.

## Requesting Source Information from an MSDP Peer

If you want a new member of a group to learn the active multicast sources in a connected PIM sparse-mode domain that are sending to a group, perform this task for the device to send SA request messages to the specified MSDP peer when a new member joins a group. The peer replies with the information in its SA cache. If the peer does not have a cache configured, this command has no result. Configuring this feature reduces join latency but sacrifices memory.

Follow these steps to configure the device to send SA request messages to the MSDP peer when a new member joins a group and wants to receive multicast traffic:

### Procedure

	Command or Action	Purpose
<b>Step 1</b>	<b>enable</b> <b>Example:</b> Device> <code>enable</code>	Enables privileged EXEC mode. <ul style="list-style-type: none"> <li>• Enter your password if prompted.</li> </ul>
<b>Step 2</b>	<b>configure terminal</b> <b>Example:</b> Device# <code>configure terminal</code>	Enters global configuration mode.
<b>Step 3</b>	<b>ip msdp sa-request</b> <i>{ip-address   name}</i> <b>Example:</b> Device (config)# <code>ip msdp sa-request 171.69.1.1</code>	Configure the device to send SA request messages to the specified MSDP peer.  For <i>ip-address   name</i> , enter the IP address or name of the MSDP peer from which the local device requests SA messages when a new member for a group becomes active.  Repeat the command for each MSDP peer that you want to supply with SA messages.
<b>Step 4</b>	<b>end</b> <b>Example:</b>	Returns to privileged EXEC mode.

	Command or Action	Purpose
	Device(config)# <b>end</b>	
<b>Step 5</b>	<b>show running-config</b> <b>Example:</b> Device# <b>show running-config</b>	Verifies your entries.
<b>Step 6</b>	<b>copy running-config startup-config</b> <b>Example:</b> Device# <b>copy running-config startup-config</b>	(Optional) Saves your entries in the configuration file.

## Controlling Source Information that Your Switch Originates

You can control the multicast source information that originates with your device:

- Sources you advertise (based on your sources)
- Receivers of source information (based on knowing the requestor)

For more information, see the [Redistributing Sources, on page 51](#) and the [Filtering Source-Active Request Messages, on page 53](#).

### Redistributing Sources

SA messages originate on RPs to which sources have registered. By default, any source that registers with an RP is advertised. The *A flag* is set in the RP when a source is registered, which means the source is advertised in an SA unless it is filtered.

Follow these steps to further restrict which registered sources are advertised:

#### Procedure

	Command or Action	Purpose
<b>Step 1</b>	<b>enable</b> <b>Example:</b> Device> <b>enable</b>	Enables privileged EXEC mode. <ul style="list-style-type: none"> <li>• Enter your password if prompted.</li> </ul>
<b>Step 2</b>	<b>configure terminal</b> <b>Example:</b> Device# <b>configure terminal</b>	Enters global configuration mode.

	Command or Action	Purpose
Step 3	<p><b>ip msdp redistribute</b> [<i>list access-list-name</i>] [<i>asn aspath-access-list-number</i>] [<i>route-map map</i>]</p> <p><b>Example:</b></p> <pre>Device(config)#ip msdp redistribute list 21</pre>	<p>Configures which (S,G) entries from the multicast routing table are advertised in SA messages.</p> <p>By default, only sources within the local domain are advertised.</p> <ul style="list-style-type: none"> <li>• (Optional) <b>list</b> <i>access-list-name</i>— Enters the name or number of an IP standard or extended access list. The range is 1 to 99 for standard access lists and 100 to 199 for extended lists. The access list controls which local sources are advertised and to which groups they send.</li> <li>• (Optional) <b>asn</b> <i>aspath-access-list-number</i>—Enters the IP standard or extended access list number in the range 1 to 199. This access list number must also be configured in the <b>ip as-path access-list</b> command.</li> <li>• (Optional) <b>route-map</b> <i>map</i>—Enters the IP standard or extended access list number in the range 1 to 199. This access list number must also be configured in the <b>ip as-path access-list</b> command.</li> </ul> <p>The device advertises (S,G) pairs according to the access list or autonomous system path access list.</p>
Step 4	<p>Use one of the following:</p> <ul style="list-style-type: none"> <li>• <b>access-list</b> <i>access-list-number</i> {deny   permit } <i>source</i> [<i>source-wildcard</i> ]</li> <li>• <b>access-list</b> <i>access-list-number</i> {deny   permit } <i>protocol source source-wildcard destination destination-wildcard</i></li> </ul> <p><b>Example:</b></p> <pre>Device(config)#access list 21 permit 194.1.22.0</pre> <p>or</p> <pre>Device(config)#access list 21 permit ip 194.1.22.0 1.1.1.1 194.3.44.0 1.1.1.1</pre>	<p>Creates an IP standard access list, repeating the command as many times as necessary.</p> <p>or</p> <p>Creates an IP extended access list, repeating the command as many times as necessary.</p> <ul style="list-style-type: none"> <li>• <i>access-list-number</i>—Enters the same number created in Step 2. The range is 1 to 99 for standard access lists and 100 to 199 for extended lists.</li> <li>• <b>deny</b>—Denies access if the conditions are matched. The <b>permit</b> keyword permits access if the conditions are matched.</li> <li>• <i>protocol</i>—Enters <b>ip</b> as the protocol name.</li> <li>• <i>source</i>—Enters the number of the network or host from which the packet is being sent.</li> </ul>

	Command or Action	Purpose
		<ul style="list-style-type: none"> <li>• <i>source-wildcard</i>—Enters the wildcard bits in dotted decimal notation to be applied to the source. Place ones in the bit positions that you want to ignore.</li> <li>• <i>destination</i>—Enters the number of the network or host to which the packet is being sent.</li> <li>• <i>destination-wildcard</i>—Enters the wildcard bits in dotted decimal notation to be applied to the destination. Place ones in the bit positions that you want to ignore.</li> </ul> <p>Recall that the access list is always terminated by an implicit deny statement for everything.</p>
<b>Step 5</b>	<b>end</b> <b>Example:</b> Device(config)# <b>end</b>	Returns to privileged EXEC mode.
<b>Step 6</b>	<b>show running-config</b> <b>Example:</b> Device# <b>show running-config</b>	Verifies your entries.
<b>Step 7</b>	<b>copy running-config startup-config</b> <b>Example:</b> Device# <b>copy running-config startup-config</b>	(Optional) Saves your entries in the configuration file.

## Filtering Source-Active Request Messages

By default, only device that are caching SA information can respond to SA requests. By default, such a device honors all SA request messages from its MSDP peers and supplies the IP addresses of the active sources.

However, you can configure the device to ignore all SA requests from an MSDP peer. You can also honor only those SA request messages from a peer for groups described by a standard access list. If the groups in the access list pass, SA request messages are accepted. All other such messages from the peer for other groups are ignored.

To return to the default setting, use the **no ip msdp filter-sa-request** *{ip-address|name}* global configuration command.

Follow these steps to configure one of these options:

**Procedure**

	<b>Command or Action</b>	<b>Purpose</b>
<b>Step 1</b>	<p><b>enable</b></p> <p><b>Example:</b></p> <pre>Device&gt;enable</pre>	<p>Enables privileged EXEC mode.</p> <ul style="list-style-type: none"> <li>• Enter your password if prompted.</li> </ul>
<b>Step 2</b>	<p><b>configure terminal</b></p> <p><b>Example:</b></p> <pre>Device#configure terminal</pre>	<p>Enters global configuration mode.</p>
<b>Step 3</b>	<p>Use one of the following:</p> <ul style="list-style-type: none"> <li>• ip msdp filter-sa-request { ip-address name }</li> <li>• ip msdp filter-sa-request { ip-address name } list access-list-number</li> </ul> <p><b>Example:</b></p> <pre>Device(config)#ip msdp filter sa-request 171.69.2.2</pre>	<p>Filters all SA request messages from the specified MSDP peer.</p> <p>or</p> <p>Filters SA request messages from the specified MSDP peer for groups that pass the standard access list. The access list describes a multicast group address. The range for the access-list-number is 1 to 99.</p>
<b>Step 4</b>	<p><b>access-list access-list-number {deny   permit} source [source-wildcard]</b></p> <p><b>Example:</b></p> <pre>Device(config)#access-list 1 permit 192.4.22.0 0.0.0.255</pre>	<p>Creates an IP standard access list, repeating the command as many times as necessary.</p> <ul style="list-style-type: none"> <li>• For <i>access-list-number</i>, the range is 1 to 99.</li> <li>• The <b>deny</b> keyword denies access if the conditions are matched. The <b>permit</b> keyword permits access if the conditions are matched.</li> <li>• For <i>source</i>, enter the number of the network or host from which the packet is being sent.</li> <li>• (Optional) For <i>source-wildcard</i>, enter the wildcard bits in dotted decimal notation to be applied to the source. Place ones in the bit positions that you want to ignore.</li> </ul> <p>Recall that the access list is always terminated by an implicit deny statement for everything.</p>
<b>Step 5</b>	<p><b>end</b></p> <p><b>Example:</b></p>	<p>Returns to privileged EXEC mode.</p>



	Command or Action	Purpose
	Device (config) # <b>end</b>	
<b>Step 6</b>	<b>show running-config</b> <b>Example:</b> Device# <b>show running-config</b>	Verifies your entries.
<b>Step 7</b>	<b>copy running-config startup-config</b> <b>Example:</b> Device# <b>copy running-config startup-config</b>	(Optional) Saves your entries in the configuration file.

## Controlling Source Information that Your Switch Forwards

By default, the device forwards all SA messages it receives to all its MSDP peers. However, you can prevent outgoing messages from being forwarded to a peer by using a filter or by setting a time-to-live (TTL) value.

### Using a Filter

By creating a filter, you can perform one of these actions:

- Filter all source/group pairs
- Specify an IP extended access list to pass only certain source/group pairs
- Filter based on match criteria in a route map

Follow these steps to apply a filter:

#### Procedure

	Command or Action	Purpose
<b>Step 1</b>	<b>enable</b> <b>Example:</b> Device> <b>enable</b>	Enables privileged EXEC mode. <ul style="list-style-type: none"> <li>• Enter your password if prompted.</li> </ul>
<b>Step 2</b>	<b>configure terminal</b> <b>Example:</b> Device# <b>configure terminal</b>	Enters global configuration mode.

	Command or Action	Purpose
<p><b>Step 3</b></p>	<p>Use one of the following:</p> <ul style="list-style-type: none"> <li>• <b>ip msdp sa-filter out</b></li> </ul> <p style="padding-left: 20px;">{ ip-address name }</p> <ul style="list-style-type: none"> <li>• <b>ip msdp sa-filter out</b></li> </ul> <p style="padding-left: 20px;">{ ip-address name }</p> <p style="padding-left: 20px;">list access-list-number</p> <ul style="list-style-type: none"> <li>• <b>ip msdp sa-filter out</b></li> </ul> <p style="padding-left: 20px;">{ ip-address name }</p> <p style="padding-left: 20px;">route-map map-tag</p> <p><b>Example:</b></p> <pre>Device(config)#ip msdp sa-filter out switch.cisco.com</pre> <p>or</p> <pre>Device(config)#ip msdp sa-filter out list 100</pre> <p>or</p> <pre>Device(config)#ip msdp sa-filter out switch.cisco.com route-map 22</pre>	<ul style="list-style-type: none"> <li>• Filters all SA messages to the specified MSDP peer.</li> <li>• Passes only those SA messages that pass the IP extended access list to the specified peer. The range for the extended <i>access-list-number</i> is 100 to 199.</li> </ul> <p>If both the <b>list</b> and the <b>route-map</b> keywords are used, all conditions must be true to pass any (S,G) pair in outgoing SA messages.</p> <ul style="list-style-type: none"> <li>• Passes only those SA messages that meet the match criteria in the route map <i>map-tag</i> to the specified MSDP peer.</li> </ul> <p>If all match criteria are true, a <b>permit</b> from the route map passes routes through the filter. A <b>deny</b> filters routes.</p>
<p><b>Step 4</b></p>	<p><b>access-list access-list-number {deny   permit}</b>  <i>protocol source source-wildcard destination destination-wildcard</i></p> <p><b>Example:</b></p> <pre>Device(config)#access list 100 permit ip 194.1.22.0 1.1.1.1 194.3.44.0 1.1.1.1</pre>	<p>(Optional) Creates an IP extended access list, repeating the command as many times as necessary.</p> <ul style="list-style-type: none"> <li>• For <i>access-list-number</i>, enter the number specified in Step 2.</li> <li>• The <b>deny</b> keyword denies access if the conditions are matched. The <b>permit</b> keyword permits access if the conditions are matched.</li> <li>• For <i>protocol</i>, enter <b>ip</b> as the protocol name.</li> <li>• For <i>source</i>, enter the number of the network or host from which the packet is being sent.</li> <li>• For <i>source-wildcard</i>, enter the wildcard bits in dotted decimal notation to be applied to the source. Place ones in the bit positions that you want to ignore.</li> </ul>

	Command or Action	Purpose
		<ul style="list-style-type: none"> <li>For <i>destination</i>, enter the number of the network or host to which the packet is being sent.</li> <li>For <i>destination-wildcard</i>, enter the wildcard bits in dotted decimal notation to be applied to the destination. Place ones in the bit positions that you want to ignore.</li> </ul> <p>Recall that the access list is always terminated by an implicit deny statement for everything.</p>
<b>Step 5</b>	<b>end</b> <b>Example:</b> Device(config)# <b>end</b>	Returns to privileged EXEC mode.
<b>Step 6</b>	<b>show running-config</b> <b>Example:</b> Device# <b>show running-config</b>	Verifies your entries.
<b>Step 7</b>	<b>copy running-config startup-config</b> <b>Example:</b> Device# <b>copy running-config startup-config</b>	(Optional) Saves your entries in the configuration file.

## Using TTL to Limit the Multicast Data Sent in SA Messages

You can use a TTL value to control what data is encapsulated in the first SA message for every source. Only multicast packets with an IP-header TTL greater than or equal to the *tll* argument are sent to the specified MSDP peer. For example, you can limit internal traffic to a TTL of 8. If you want other groups to go to external locations, you must send those packets with a TTL greater than 8.

Follow these steps to establish a TTL threshold:

### Procedure

	Command or Action	Purpose
<b>Step 1</b>	<b>enable</b> <b>Example:</b> Device> <b>enable</b>	Enables privileged EXEC mode. <ul style="list-style-type: none"> <li>Enter your password if prompted.</li> </ul>

	Command or Action	Purpose
<b>Step 2</b>	<b>configure terminal</b> <b>Example:</b> <pre>Device#configure terminal</pre>	Enters global configuration mode.
<b>Step 3</b>	<b>ip msdp ttl-threshold {ip-address   name} ttl</b> <b>Example:</b> <pre>Device(config)#ip msdp ttl-threshold switch.cisco.com 0</pre>	Limits which multicast data is encapsulated in the first SA message to the specified MSDP peer. <ul style="list-style-type: none"> <li>• For <i>ip-address   name</i>, enter the IP address or name of the MSDP peer to which the TTL limitation applies.</li> <li>• For <i>ttl</i>, enter the TTL value. The default is 0, which means all multicast data packets are forwarded to the peer until the TTL is exhausted. The range is 0 to 255.</li> </ul>
<b>Step 4</b>	<b>end</b> <b>Example:</b> <pre>Device(config)#end</pre>	Returns to privileged EXEC mode.
<b>Step 5</b>	<b>show running-config</b> <b>Example:</b> <pre>Device#show running-config</pre>	Verifies your entries.
<b>Step 6</b>	<b>copy running-config startup-config</b> <b>Example:</b> <pre>Device#copy running-config startup-config</pre>	(Optional) Saves your entries in the configuration file.

## Controlling Source Information that Your Switch Receives

By default, the device receives all SA messages that its MSDP RPF peers send to it. However, you can control the source information that you receive from MSDP peers by filtering incoming SA messages. In other words, you can configure the device to not accept them.

You can perform one of these actions:

- Filter all incoming SA messages from an MSDP peer
- Specify an IP extended access list to pass certain source/group pairs

- Filter based on match criteria in a route map

Follow these steps to apply a filter:

**Procedure**

	Command or Action	Purpose
<b>Step 1</b>	<p><b>enable</b></p> <p><b>Example:</b></p> <pre>Device&gt;enable</pre>	<p>Enables privileged EXEC mode.</p> <ul style="list-style-type: none"> <li>• Enter your password if prompted.</li> </ul>
<b>Step 2</b>	<p><b>configure terminal</b></p> <p><b>Example:</b></p> <pre>Device#configure terminal</pre>	<p>Enters global configuration mode.</p>
<b>Step 3</b>	<p>Use one of the following:</p> <ul style="list-style-type: none"> <li>• <b>ip msdp sa-filter in</b></li> </ul> <pre>{ ip-address name }</pre> <ul style="list-style-type: none"> <li>• <b>ip msdp sa-filter in</b></li> </ul> <pre>{ ip-address name } list access-list-number</pre> <ul style="list-style-type: none"> <li>• <b>ip msdp sa-filter in</b></li> </ul> <pre>{ ip-address name } route-map map-tag</pre> <p><b>Example:</b></p> <pre>Device(config)#ip msdp sa-filter in switch.cisco.com</pre> <p>OR</p> <pre>Device(config)#ip msdp sa-filter in list 100</pre> <p>OR</p> <pre>Device(config)#ip msdp sa-filter in switch.cisco.com route-map 22</pre>	<ul style="list-style-type: none"> <li>• Filters all SA messages to the specified MSDP peer.</li> <li>• Passes only those SA messages from the specified peer that pass the IP extended access list. The range for the extended <i>access-list-number</i> is 100 to 199.</li> </ul> <p>If both the <b>list</b> and the <b>route-map</b> keywords are used, all conditions must be true to pass any (S,G) pair in outgoing SA messages.</p> <ul style="list-style-type: none"> <li>• Passes only those SA messages from the specified MSDP peer that meet the match criteria in the route map <i>map-tag</i>.</li> </ul> <p>If all match criteria are true, a <b>permit</b> from the route map passes routes through the filter. A <b>deny</b> filters routes.</p>
<b>Step 4</b>	<p><b>access-list</b> <i>access-list-number</i> {deny   permit} <i>protocol source source-wildcard destination destination-wildcard</i></p> <p><b>Example:</b></p>	<p>(Optional) Creates an IP extended access list, repeating the command as many times as necessary.</p>

	Command or Action	Purpose
	<pre>Device(config)#access list 100 permit ip 194.1.22.0 1.1.1.1 194.3.44.0 1.1.1.1</pre>	<ul style="list-style-type: none"> <li>• <i>access-list-number</i>, enter the number specified in Step 2.</li> <li>• The <b>deny</b> keyword denies access if the conditions are matched. The <b>permit</b> keyword permits access if the conditions are matched.</li> <li>• For <i>protocol</i>, enter <b>ip</b> as the protocol name.</li> <li>• For <i>source</i>, enter the number of the network or host from which the packet is being sent.</li> <li>• For <i>source-wildcard</i>, enter the wildcard bits in dotted decimal notation to be applied to the source. Place ones in the bit positions that you want to ignore.</li> <li>• For <i>destination</i>, enter the number of the network or host to which the packet is being sent.</li> <li>• For <i>destination-wildcard</i>, enter the wildcard bits in dotted decimal notation to be applied to the destination. Place ones in the bit positions that you want to ignore.</li> </ul> <p>Recall that the access list is always terminated by an implicit deny statement for everything.</p>
<b>Step 5</b>	<p><b>end</b></p> <p><b>Example:</b></p> <pre>Device(config)#end</pre>	Returns to privileged EXEC mode.
<b>Step 6</b>	<p><b>show running-config</b></p> <p><b>Example:</b></p> <pre>Device#show running-config</pre>	Verifies your entries.
<b>Step 7</b>	<p><b>copy running-config startup-config</b></p> <p><b>Example:</b></p> <pre>Device#copy running-config startup-config</pre>	(Optional) Saves your entries in the configuration file.

## Configuring an MSDP Mesh Group

An MSDP mesh group is a group of MSDP speakers that have fully meshed MSDP connectivity among one another. Any SA messages received from a peer in a mesh group are not forwarded to other peers in the same mesh group. Thus, you reduce SA message flooding and simplify peer-RPF flooding. Use the **ip msdp mesh-group** global configuration command when there are multiple RPs within a domain. It is especially used to send SA messages across a domain. You can configure multiple mesh groups (with different names) in a single device.

Follow these steps to create a mesh group:

### Procedure

	Command or Action	Purpose
<b>Step 1</b>	<b>enable</b> <b>Example:</b> Device> <b>enable</b>	Enables privileged EXEC mode. <ul style="list-style-type: none"> <li>• Enter your password if prompted.</li> </ul>
<b>Step 2</b>	<b>configure terminal</b> <b>Example:</b> Device# <b>configure terminal</b>	Enters global configuration mode.
<b>Step 3</b>	<b>ip msdp mesh-group</b> <i>name</i> { <i>ip-address</i>   <i>name</i> } <b>Example:</b> Devic (config) # <b>ip msdp mesh-group 2 switch.cisco.com</b>	Configures an MSDP mesh group, and specifies the MSDP peer belonging to that mesh group. <p>By default, the MSDP peers do not belong to a mesh group.</p> <ul style="list-style-type: none"> <li>• For <i>name</i>, enter the name of the mesh group.</li> <li>• For <i>ip-address</i>   <i>name</i>, enter the IP address or name of the MSDP peer to be a member of the mesh group.</li> </ul> <p>Repeat this procedure on each MSDP peer in the group.</p>
<b>Step 4</b>	<b>end</b> <b>Example:</b> Device (config) # <b>end</b>	Returns to privileged EXEC mode.
<b>Step 5</b>	<b>show running-config</b> <b>Example:</b>	Verifies your entries.

	Command or Action	Purpose
	Device# <code>show running-config</code>	
<b>Step 6</b>	<b>copy running-config startup-config</b> <b>Example:</b> Device# <code>copy running-config startup-config</code>	(Optional) Saves your entries in the configuration file.

## Shutting Down an MSDP Peer

If you want to configure many MSDP commands for the same peer and you do not want the peer to become active, you can shut down the peer, configure it, and later bring it up. When a peer is shut down, the TCP connection is terminated and is not restarted. You can also shut down an MSDP session without losing configuration information for the peer.

Follow these steps to shut down a peer:

### Procedure

	Command or Action	Purpose
<b>Step 1</b>	<b>enable</b> <b>Example:</b> Device> <code>enable</code>	Enables privileged EXEC mode. <ul style="list-style-type: none"> <li>• Enter your password if prompted.</li> </ul>
<b>Step 2</b>	<b>configure terminal</b> <b>Example:</b> Device# <code>configure terminal</code>	Enters global configuration mode.
<b>Step 3</b>	<b>ip msdp shutdown {peer-name   peer address}</b> <b>Example:</b> Device (config)# <code>ip msdp shutdown switch.cisco.com</code>	Shuts down the specified MSDP peer without losing configuration information.  For <i>peer-name   peer address</i> , enter the IP address or name of the MSDP peer to shut down.
<b>Step 4</b>	<b>end</b> <b>Example:</b> Device (config)# <code>end</code>	Returns to privileged EXEC mode.



	Command or Action	Purpose
<b>Step 5</b>	<b>show running-config</b> <b>Example:</b> Device# <code>show running-config</code>	Verifies your entries.
<b>Step 6</b>	<b>copy running-config startup-config</b> <b>Example:</b> Device# <code>copy running-config startup-config</code>	(Optional) Saves your entries in the configuration file.

## Including a Bordering PIM Dense-Mode Region in MSDP

You can configure MSDP on a device that borders a PIM sparse-mode region with a dense-mode region. By default, active sources in the dense-mode region do not participate in MSDP.



**Note** We do not recommend using the `ip msdp border sa-address` global configuration command. It is better to configure the border router in the sparse-mode domain to proxy-register sources in the dense-mode domain to the RP of the sparse-mode domain and have the sparse-mode domain use standard MSDP procedures to advertise these sources.

The `ip msdp originator-id` global configuration command also identifies an interface to be used as the RP address. If both the `ip msdp border sa-address` and the `ip msdp originator-id` global configuration commands are configured, the address derived from the `ip msdp originator-id` command specifies the RP address.

Follow these steps to configure the border router to send SA messages for sources active in the dense-mode region to the MSDP peers:

### Procedure

	Command or Action	Purpose
<b>Step 1</b>	<b>enable</b> <b>Example:</b> Device> <code>enable</code>	Enables privileged EXEC mode. <ul style="list-style-type: none"> <li>• Enter your password if prompted.</li> </ul>
<b>Step 2</b>	<b>configure terminal</b> <b>Example:</b> Device# <code>configure terminal</code>	Enters global configuration mode.

	Command or Action	Purpose
<b>Step 3</b>	<b>ip msdp border sa-address</b> <i>interface-id</i> <b>Example:</b> <pre>Device(config)#ip msdp border sa-address 0/1</pre>	<p>Configures the switch on the border between a dense-mode and sparse-mode region to send SA messages about active sources in the dense-mode region.</p> <p>For <i>interface-id</i>, specifies the interface from which the IP address is derived and used as the RP address in SA messages.</p> <p>The IP address of the interface is used as the Originator-ID, which is the RP field in the SA message.</p>
<b>Step 4</b>	<b>ip msdp redistribute</b> [ <b>list</b> <i>access-list-name</i> ] [ <b>asn</b> <i>aspath-access-list-number</i> ] [ <b>route-map</b> <i>map</i> ] <b>Example:</b> <pre>Device(config)#ip msdp redistribute list 100</pre>	<p>Configures which (S,G) entries from the multicast routing table are advertised in SA messages. For more information, see the <a href="#">#unique_91</a>.</p>
<b>Step 5</b>	<b>end</b> <b>Example:</b> <pre>Device(config)#end</pre>	<p>Returns to privileged EXEC mode.</p>
<b>Step 6</b>	<b>show running-config</b> <b>Example:</b> <pre>Device#show running-config</pre>	<p>Verifies your entries.</p>
<b>Step 7</b>	<b>copy running-config startup-config</b> <b>Example:</b> <pre>Device#copy running-config startup-config</pre>	<p>(Optional) Saves your entries in the configuration file.</p>

## Configuring an Originating Address other than the RP Address

You can allow an MSDP speaker that originates a SA message to use the IP address of the interface as the RP address in the SA message by changing the Originator ID. You might change the Originator ID in one of these cases:

- If you configure a logical RP on multiple device in an MSDP mesh group.

- If you have a device that borders a PIM sparse-mode domain and a dense-mode domain. If a device borders a dense-mode domain for a site, and sparse-mode is being used externally, you might want dense-mode sources to be known to the outside world. Because this device is not an RP, it would not have an RP address to use in an SA message. Therefore, this command provides the RP address by specifying the address of the interface.

If both the **ip msdp border sa-address** and the **ip msdp originator-id** global configuration commands are configured, the address derived from the **ip msdp originator-id** command specifies the address of the RP.

Follow these steps to allow an MSDP speaker that originates an SA message to use the IP address on the interface as the RP address in the SA message:

### Procedure

	Command or Action	Purpose
<b>Step 1</b>	<b>enable</b> <b>Example:</b>  Device> <b>enable</b>	Enables privileged EXEC mode.  • Enter your password if prompted.
<b>Step 2</b>	<b>configure terminal</b> <b>Example:</b>  Device# <b>configure terminal</b>	Enters global configuration mode.
<b>Step 3</b>	<b>ip msdp originator-id interface-id</b> <b>Example:</b>  Device(config)# <b>ip msdp originator-id 0/1</b>	Configures the RP address in SA messages to be the address of the originating device interface.  For <i>interface-id</i> , specify the interface on the local device.
<b>Step 4</b>	<b>end</b> <b>Example:</b>  Device(config)# <b>end</b>	Returns to privileged EXEC mode.
<b>Step 5</b>	<b>show running-config</b> <b>Example:</b>  Device# <b>show running-config</b>	Verifies your entries.
<b>Step 6</b>	<b>copy running-config startup-config</b> <b>Example:</b>  Device# <b>copy running-config startup-config</b>	(Optional) Saves your entries in the configuration file.

	Command or Action	Purpose

## Monitoring and Maintaining MSDP

Commands that monitor MSDP SA messages, peers, state, and peer status:

**Table 1: Commands for Monitoring and Maintaining MSDP**

Command	Purpose
<b>debug ip msdp</b> [ <i>peer-address</i>   <i>name</i> ] [ <b>detail</b> ] [ <b>routes</b> ]	Debugs an MSDP activity.
<b>debug ip msdp resets</b>	Debugs MSDP peer reset reasons.
<b>show ip msdp count</b> [ <i>autonomous-system-number</i> ]	Displays the number of sources and groups originated in SA messages from each autonomous system. The <b>ip msdp cache-sa-state</b> command must be configured for this command to produce any output.
<b>show ip msdp peer</b> [ <i>peer-address</i>   <i>name</i> ]	Displays detailed information about an MSDP peer.
<b>show ip msdp sa-cache</b> [ <i>group-address</i>   <i>source-address</i>   <i>group-name</i>   <i>source-name</i> ] [ <i>autonomous-system-number</i> ]	Displays (S,G) state learned from MSDP peers.
<b>show ip msdp summary</b>	Displays MSDP peer status and SA message counts.

Commands that clear MSDP connections, statistics, and SA cache entries:

**Table 2: Commands for Clearing MSDP Connections, Statistics, or SA Cache Entries**

Command	Purpose
<b>clear ip msdp peer</b> <i>peer-address</i>   <i>name</i>	Clears the TCP connection to the specified MSDP peer, resetting all MSDP message counters.
<b>clear ip msdp statistics</b> [ <i>peer-address</i>   <i>name</i> ]	Clears statistics counters for one or all the MSDP peers without resetting the sessions.
<b>clear ip msdp sa-cache</b> [ <i>group-address</i>   <i>name</i> ]	Clears the SA cache entries for all entries, all sources for a specific group, or all entries for a specific source/group pair.

## Configuration Examples for Configuring MSDP

This section provides examples for configuring MSP:

## Configuring a Default MSDP Peer: Example

This example shows a partial configuration of Router A and Router C in . Each of these ISPs have more than one customer (like the customer in ) who use default peering (no BGP or MBGP). In that case, they might have similar configurations. That is, they accept SAs only from a default peer if the SA is permitted by the corresponding prefix list.

Router A

```
Device(config)#ip msdp default-peer 10.1.1.1
Device(config)#ip msdp default-peer 10.1.1.1 prefix-list site-a
Device(config)#ip prefix-list site-b permit 10.0.0.0/1
```

Router C

```
Device(config)#ip msdp default-peer 10.1.1.1 prefix-list site-a
Device(config)#ip prefix-list site-b permit 10.0.0.0/1
```

## Caching Source-Active State: Example

This example shows how to enable the cache state for all sources in 171.69.0.0/16 sending to groups 224.2.0.0/16:

```
Device(config)#ip msdp cache-sa-state 100
Device(config)#access-list 100 permit ip 171.69.0.0 0.0.255.255 224.2.0.0 0.0.255.255
```

## Requesting Source Information from an MSDP Peer: Example

This example shows how to configure the switch to send SA request messages to the MSDP peer at 171.69.1.1:

```
Device(config)#ip msdp sa-request 171.69.1.1
```

## Controlling Source Information that Your Switch Originates: Example

This example shows how to configure the switch to filter SA request messages from the MSDP peer at 171.69.2.2. SA request messages from sources on network 192.4.22.0 pass access list 1 and are accepted; all others are ignored.

```
Device(config)#ip msdp filter sa-request 171.69.2.2 list 1
Device(config)#access-list 1 permit 192.4.22.0 0.0.0.255
```

## Controlling Source Information that Your Switch Forwards: Example

This example shows how to allow only (S,G) pairs that pass access list 100 to be forwarded in an SA message to the peer named *switch.cisco.com*:

```
Device(config)#ip msdp peer switch.cisco.com connect-source gigabitethernet1/0/1
Device(config)# ip msdp sa-filter out switch.cisco.com list 100
Device(config)#access-list 100 permit ip 171.69.0.0 0.0.255.255 224.20 0 0.0.255.255
```

## Controlling Source Information that Your Switch Receives: Example

This example shows how to filter all SA messages from the peer named *switch.cisco.com*:

```
Device(config)#ip msdp peer switch.cisco.com connect-source gigabitethernet1/0/1
Device(config)#ip msdp sa-filter in switch.cisco.com
```

## Feature History for Multicast Source Discovery Protocol

This table provides release and related information for the features explained in this module.

These features are available in all the releases subsequent to the one they were introduced in, unless noted otherwise.

Release	Feature	Feature Information
Cisco IOS XE Everest 16.5.1a	MSDP	MSDP allows multicast sources for a group to be known to all rendezvous points (RPs) in different domains.  Support for this feature was introduced only on the C9500-12Q, C9500-16X, C9500-24Q, C9500-40X models of the Cisco Catalyst 9500 Series Switches.
Cisco IOS XE Fuji 16.8.1a	MSDP	Support for this feature was introduced only on the C9500-32C, C9500-32QC, C9500-48Y4C, and C9500-24Y4C models of the Cisco Catalyst 9500 Series Switches.
Cisco IOS XE Cupertino 17.7.1	MSDP	Support for this feature was introduced on the C9500X-28C8D model of the Cisco Catalyst 9500 Series Switches.

Use the Cisco Feature Navigator to find information about platform and software image support. To access Cisco Feature Navigator, go to [Cisco Feature Navigator](#).



## CHAPTER 5

# Configuring IP Unicast Routing

---

- [Restrictions for IP Unicast Routing, on page 69](#)
- [Information About Configuring IP Unicast Routing, on page 69](#)
- [Information About IP Routing, on page 70](#)
- [Configuration Guidelines for IP Routing, on page 76](#)
- [How to Configure IP Addressing, on page 76](#)
- [How to Configure IP Unicast Routing, on page 94](#)
- [Configuration Example: Enabling IP Routing, on page 96](#)
- [Monitoring and Maintaining IP Addressing, on page 96](#)
- [Monitoring and Maintaining the IP Network, on page 97](#)
- [Feature History for IP Unicast Routing, on page 97](#)

## Restrictions for IP Unicast Routing

- On enabling IP routing, the VLAN configured as SVI will also learn broadcast ARP requests which are not self destined.
- The number of routed ports and SVIs that you can configure is 4000. Exceeding the recommended number and volume of features being implemented might impact CPU utilization because of hardware limitations.
- Subnetwork Access Protocol (SNAP) address resolution is not supported on this device.

## Information About Configuring IP Unicast Routing

This module describes how to configure IP Version 4 (IPv4) unicast routing on the switch.



---

**Note** In addition to IPv4 traffic, you can also enable IP Version 6 (IPv6) unicast routing and configure interfaces to forward IPv6 traffic if the switch or switch stack is running the Network Essentials or Network Advantage license.

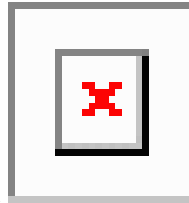
---

## Information About IP Routing

In some network environments, VLANs are associated with individual networks or subnetworks. In an IP network, each subnetwork is mapped to an individual VLAN. Configuring VLANs helps control the size of the broadcast domain and keeps local traffic local. However, network devices in different VLANs cannot communicate with one another without a Layer 3 device (router) to route traffic between the VLAN, referred to as inter-VLAN routing. You configure one or more routers to route traffic to the appropriate destination VLAN.

**Figure 4: Routing Topology Example**

This figure shows a basic routing topology. Switch A is in VLAN 10, and Switch B is in VLAN 20. The router



has an interface in each VLAN.

When Host A in VLAN 10 needs to communicate with Host B in VLAN 10, it sends a packet addressed to that host. Switch A forwards the packet directly to Host B, without sending it to the router.

When Host A sends a packet to Host C in VLAN 20, Switch A forwards the packet to the router, which receives the traffic on the VLAN 10 interface. The router checks the routing table, finds the correct outgoing interface, and forwards the packet on the VLAN 20 interface to Switch B. Switch B receives the packet and forwards it to Host C.

## Types of Routing

Routers and Layer 3 switches can route packets in these ways:

- By using default routing
- By using preprogrammed static routes for the traffic

Default routing refers to sending traffic with a destination unknown to the router to a default outlet or destination.

Static unicast routing forwards packets from predetermined ports through a single path into and out of a network. Static routing is secure and uses little bandwidth, but does not automatically respond to changes in the network, such as link failures, and therefore, might result in unreachable destinations. As networks grow, static routing becomes a labor-intensive liability.

Dynamic routing protocols are used by routers to dynamically calculate the best route for forwarding traffic. There are two types of dynamic routing protocols:

- Routers using distance-vector protocols maintain routing tables with distance values of networked resources, and periodically pass these tables to their neighbors. Distance-vector protocols use one or a series of metrics for calculating the best routes. These protocols are easy to configure and use.
- Routers using link-state protocols maintain a complex database of network topology, based on the exchange of link-state advertisements (LSAs) between routers. LSAs are triggered by an event in the network, which speeds up the convergence time or time required to respond to these changes. Link-state



protocols respond quickly to topology changes, but require greater bandwidth and more resources than distance-vector protocols.

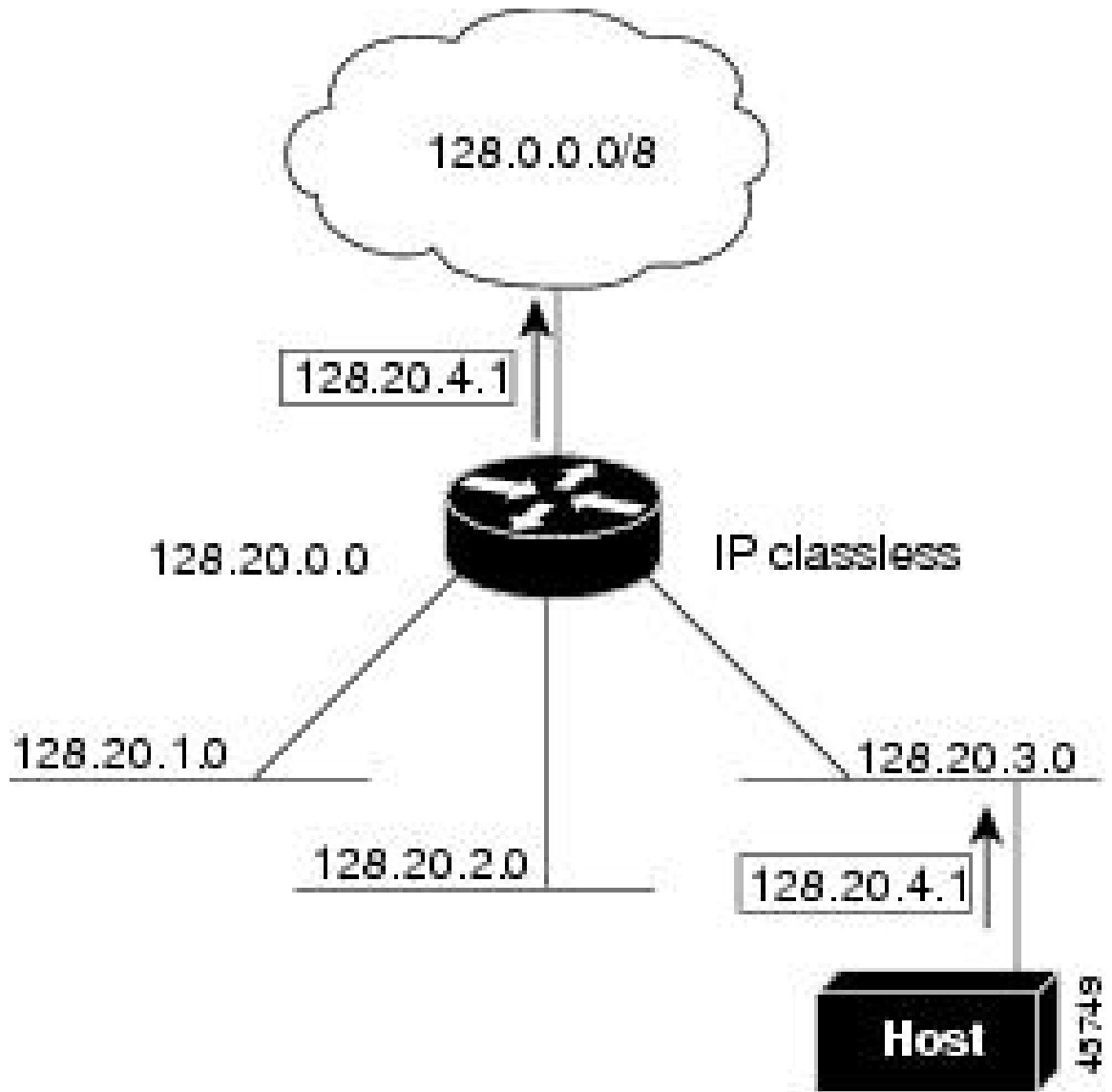
Distance-vector protocols supported by the switch are Routing Information Protocol (RIP), which uses a single distance metric (cost) to determine the best path and Border Gateway Protocol (BGP), which adds a path vector mechanism. The switch also supports the Open Shortest Path First (OSPF) link-state protocol and Enhanced IGRP (EIGRP), which adds some link-state routing features to traditional Interior Gateway Routing Protocol (IGRP) to improve efficiency.

## Classless Routing

By default, classless routing behavior is enabled on the device when it is configured to route. With classless routing, if a router receives packets for a subnet of a network with no default route, the router forwards the packet to the best supernet route. A supernet consists of contiguous blocks of Class C address spaces used to simulate a single, larger address space and is designed to relieve the pressure on the rapidly depleting Class B address space.

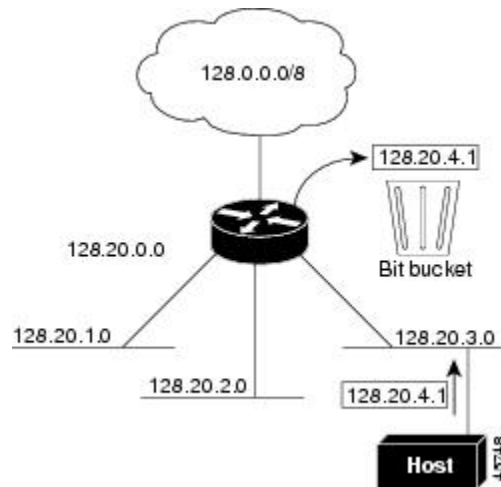
In the figure, classless routing is enabled. When the host sends a packet to 120.20.4.1, instead of discarding the packet, the router forwards it to the best supernet route. If you disable classless routing and a router receives packets destined for a subnet of a network with no network default route, the router discards the packet.

Figure 5: IP Classless Routing



In the figure, the router in network 128.20.0.0 is connected to subnets 128.20.1.0, 128.20.2.0, and 128.20.3.0. If the host sends a packet to 120.20.4.1, because there is no network default route, the router discards the packet.

Figure 6: No IP Classless Routing



To prevent the device from forwarding packets destined for unrecognized subnets to the best supernet route possible, you can disable classless routing behavior.

## Address Resolution

You can control interface-specific handling of IP by using address resolution. A device using IP can have both a local address or MAC address, which uniquely defines the device on its local segment or LAN, and a network address, which identifies the network to which the device belongs.

The local address or MAC address is known as a data link address because it is contained in the data link layer (Layer 2) section of the packet header and is read by data link (Layer 2) devices. To communicate with a device on Ethernet, the software must learn the MAC address of the device. The process of learning the MAC address from an IP address is called *address resolution*. The process of learning the IP address from the MAC address is called *reverse address resolution*.

The device can use these forms of address resolution:

- Address Resolution Protocol (ARP) is used to associate IP address with MAC addresses. Taking an IP address as input, ARP learns the associated MAC address and then stores the IP address/MAC address association in an ARP cache for rapid retrieval. Then the IP datagram is encapsulated in a link-layer frame and sent over the network.
- Proxy ARP helps hosts with no routing tables learn the MAC addresses of hosts on other networks or subnets. If the device (router) receives an ARP request for a host that is not on the same interface as the ARP request sender, and if the router has all of its routes to the host through other interfaces, it generates a proxy ARP packet giving its own local data link address. The host that sent the ARP request then sends its packets to the router, which forwards them to the intended host.

The device also uses the Reverse Address Resolution Protocol (RARP), which functions the same as ARP does, except that the RARP packets request an IP address instead of a local MAC address. Using RARP requires a RARP server on the same network segment as the router interface. Use the `ip rarp-server address` interface configuration command to identify the server.

## Proxy ARP

Proxy ARP, the most common method for learning about other routes, enables an Ethernet host with no routing information to communicate with hosts on other networks or subnets. The host assumes that all hosts are on the same local Ethernet and that they can use ARP to learn their MAC addresses. If a device receives an ARP request for a host that is not on the same network as the sender, the device evaluates whether it has the best route to that host. If it does, it sends an ARP reply packet with its own Ethernet MAC address, and the host that sent the request sends the packet to the device, which forwards it to the intended host. Proxy ARP treats all networks as if they are local, and performs ARP requests for every IP address.

## ICMP Router Discovery Protocol

Router discovery allows the device to dynamically learn about routes to other networks using ICMP router discovery protocol (IRDP). IRDP allows hosts to locate routers. When operating as a client, the device generates router discovery packets. When operating as a host, the device receives router discovery packets. The device can also listen to Routing Information Protocol (RIP) routing updates and use this information to infer locations of routers. The device does not actually store the routing tables sent by routing devices; it merely keeps track of which systems are sending the data. The advantage of using IRDP is that it allows each router to specify both a priority and the time after which a device is assumed to be down if no further packets are received.

Each device discovered becomes a candidate for the default router, and a new highest-priority router is selected when a higher priority router is discovered, when the current default router is declared down, or when a TCP connection is about to time out because of excessive retransmissions.

IRDP packets are not sent while enabling or disabling IP routing. When interface is shutting down, the last IRDP message do not have a lifetime; it is 0 for all routers.

## UDP Broadcast Packets and Protocols

User Datagram Protocol (UDP) is an IP host-to-host layer protocol, as is TCP. UDP provides a low-overhead, connectionless session between two end systems and does not provide for acknowledgment of received datagrams. Network hosts occasionally use UDP broadcasts to find address, configuration, and name information. If such a host is on a network segment that does not include a server, UDP broadcasts are normally not forwarded. You can remedy this situation by configuring an interface on a router to forward certain classes of broadcasts to a helper address. You can use more than one helper address per interface.

You can specify a UDP destination port to control which UDP services are forwarded. You can specify multiple UDP protocols. You can also specify the Network Disk (ND) protocol, which is used by older diskless Sun workstations and the network security protocol SDNS.

By default, both UDP and ND forwarding are enabled if a helper address has been defined for an interface.

## Broadcast Packet Handling

After configuring an IP interface address, you can enable routing and configure one or more routing protocols, or you can configure the way the device responds to network broadcasts. A broadcast is a data packet destined for all hosts on a physical network. The device supports two kinds of broadcasting:

- A directed broadcast packet is sent to a specific network or series of networks. A directed broadcast address includes the network or subnet fields.
- A flooded broadcast packet is sent to every network.



---

**Note** You can also limit broadcast, unicast, and multicast traffic on Layer 2 interfaces by using the **storm-control** interface configuration command to set traffic suppression levels.

---

Routers provide some protection from broadcast storms by limiting their extent to the local cable. Bridges (including intelligent bridges), because they are Layer 2 devices, forward broadcasts to all network segments, thus propagating broadcast storms. The best solution to the broadcast storm problem is to use a single broadcast address scheme on a network. In most modern IP implementations, you can set the address to be used as the broadcast address. Many implementations, including the one in the device, support several addressing schemes for forwarding broadcast messages.

## IP Broadcast Flooding

You can allow IP broadcasts to be flooded throughout your internetwork in a controlled fashion by using the database created by the bridging STP. Using this feature also prevents loops. To support this capability, bridging must be configured on each interface that is to participate in the flooding. If bridging is not configured on an interface, it still can receive broadcasts. However, the interface never forwards broadcasts it receives, and the router never uses that interface to send broadcasts received on a different interface.

Packets that are forwarded to a single network address using the IP helper-address mechanism can be flooded. Only one copy of the packet is sent on each network segment.

To be considered for flooding, packets must meet these criteria. (Note that these are the same conditions used to consider packet forwarding using IP helper addresses.)

- The packet must be a MAC-level broadcast.
- The packet must be an IP-level broadcast.
- The packet must be a TFTP, DNS, Time, NetBIOS, ND, or BOOTP packet, or a UDP specified by the **ip forward-protocol udp** global configuration command.
- The time-to-live (TTL) value of the packet must be at least two.

A flooded UDP datagram is given the destination address specified with the **ip broadcast-address** interface configuration command on the output interface. The destination address can be set to any address. Thus, the destination address might change as the datagram propagates through the network. The source address is never changed. The TTL value is decremented.

When a flooded UDP datagram is sent out an interface (and the destination address possibly changed), the datagram is handed to the normal IP output routines and is, therefore, subject to access lists, if they are present on the output interface.

In the switch, the majority of packets are forwarded in hardware; most packets do not go through the switch CPU. For those packets that do go to the CPU, you can speed up spanning tree-based UDP flooding by a factor of about four to five times by using turbo-flooding. This feature is supported over Ethernet interfaces configured for ARP encapsulation.

# Configuration Guidelines for IP Routing

On the C9500-12Q, C9500-16X, C9500-24Q, C9500-40X models of the Cisco Catalyst 9500 Series Switches, IP routing is disabled on the device by default and you must enable it before routing can take place.

On the C9500-32C, C9500-32QC, C9500-48Y4C, and C9500-24Y4C models of the Cisco Catalyst 9500 Series Switches, IP routing is enabled on the device by default.

In the following procedures, the specified interface must be one of these Layer 3 interfaces:

- A routed port: a physical port configured as a Layer 3 port by using the **no switchport** interface configuration command.
- A switch virtual interface (SVI): a VLAN interface created by using the **interface vlan** *vlan\_id* global configuration command and by default a Layer 3 interface.
- An EtherChannel port channel in Layer 3 mode: a port-channel logical interface created by using the **interface port-channel** *port-channel-number* global configuration command and binding the Ethernet interface into the channel group.

All Layer 3 interfaces on which routing will occur must have IP addresses assigned to them.



---

**Note** A Layer 3 switch can have an IP address assigned to each routed port and SVI.

---

Configuring routing consists of several main procedures:

- To support VLAN interfaces, create and configure VLANs on the switch or switch stack, and assign VLAN membership to Layer 2 interfaces. For more information, see the "Configuring VLANs" chapter.
- Configure Layer 3 interfaces.
- Enable IP routing on the switch.



---

**Note** On the C9500-32C, C9500-32QC, C9500-48Y4C, and C9500-24Y4C models of the Cisco Catalyst 9500 Series Switches, IP routing is enabled on the device by default.

---

- Assign IP addresses to the Layer 3 interfaces.
- Enable selected routing protocols on the switch.
- Configure routing protocol parameters (optional).

## How to Configure IP Addressing

A required task for configuring IP routing is to assign IP addresses to Layer 3 network interfaces to enable the interfaces and allow communication with the hosts on those interfaces that use IP. The following sections

describe how to configure various IP addressing features. Assigning IP addresses to the interface is required; the other procedures are optional.

## Default IP Addressing Configuration

*Table 3: Default Addressing Configuration*

Feature	Default Setting
IP address	None defined.
ARP	No permanent entries in the Address Resolution Protocol (ARP) cache. Encapsulation: Standard Ethernet-style ARP. Timeout: 14400 seconds (4 hours).
IP broadcast address	255.255.255.255 (all ones).
IP classless routing	Enabled.
IP default gateway	Disabled.
IP directed broadcast	Disabled (all IP directed broadcasts are dropped).
IP domain	Domain list: No domain names defined. Domain lookup: Enabled. Domain name: Enabled.
IP forward-protocol	If a helper address is defined or User Datagram Protocol (UDP) flooding is configured, UDP is enabled on default ports. Any-local-broadcast: Disabled. Spanning Tree Protocol (STP): Disabled. Turbo-flood: Disabled.
IP helper address	Disabled.
IP host	Disabled.
IRDP	Disabled. Defaults when enabled: <ul style="list-style-type: none"> <li>• Broadcast IRDP advertisements.</li> <li>• Maximum interval between advertisements: 600 seconds.</li> <li>• Minimum interval between advertisements: 0.75 times max interval</li> <li>• Preference: 0.</li> </ul>
IP proxy ARP	Enabled.

Feature	Default Setting
IP routing	Disabled on the C9500-12Q, C9500-16X, C9500-24Q, C9500-40X models of the Cisco Catalyst 9500 Series Switches.  Enabled on the C9500-32C, C9500-32QC, C9500-48Y4C, and C9500-24Y4C models of the Catalyst 9500 Series Switches.
IP subnet-zero	Disabled.

## Assigning IP Addresses to Network Interfaces

An IP address identifies a location to which IP packets can be sent. Some IP addresses are reserved for special uses and cannot be used for host, subnet, or network addresses. RFC 1166, “Internet Numbers,” contains the official description of IP addresses.

An interface can have one primary IP address. A mask identifies the bits that denote the network number in an IP address. When you use the mask to subnet a network, the mask is referred to as a subnet mask. To receive an assigned network number, contact your Internet service provider.

### Procedure

	Command or Action	Purpose
<b>Step 1</b>	<b>enable</b>  <b>Example:</b>  Device> <b>enable</b>	Enables privileged EXEC mode.  • Enter your password if prompted.
<b>Step 2</b>	<b>configure terminal</b>  <b>Example:</b>  Device# <b>configure terminal</b>	Enters global configuration mode.
<b>Step 3</b>	<b>interface <i>interface-id</i></b>  <b>Example:</b>  Device (config) # <b>interface gigabitethernet 1/0/1</b>	Enters interface configuration mode, and specifies the Layer 3 interface to configure.
<b>Step 4</b>	<b>no switchport</b>  <b>Example:</b>  Device (config-if) # <b>no switchport</b>	Removes the interface from Layer 2 configuration mode (if it is a physical interface).
<b>Step 5</b>	<b>ip address <i>ip-address subnet-mask</i></b>  <b>Example:</b>	Configures the IP address and IP subnet mask.



	Command or Action	Purpose
	Device (config-if) # <b>ip address 10.1.5.1 255.255.255.0</b>	
<b>Step 6</b>	<b>no shutdown</b> <b>Example:</b> Device (config-if) # <b>no shutdown</b>	Enables the physical interface.
<b>Step 7</b>	<b>end</b> <b>Example:</b> Device (config) # <b>end</b>	Returns to privileged EXEC mode.
<b>Step 8</b>	<b>show ip route</b> <b>Example:</b> Device# <b>show ip route</b>	Verifies your entries.
<b>Step 9</b>	<b>show ip interface [interface-id]</b> <b>Example:</b> Device# <b>show ip interface gigabitethernet 1/0/1</b>	Verifies your entries.
<b>Step 10</b>	<b>show running-config</b> <b>Example:</b> Device# <b>show running-config</b>	Verifies your entries.
<b>Step 11</b>	<b>copy running-config startup-config</b> <b>Example:</b> Device# <b>copy running-config startup-config</b>	(Optional) Saves your entries in the configuration file.

## Using Subnet Zero

Subnetting with a subnet address of zero is strongly discouraged because of the problems that can arise if a network and a subnet have the same addresses. For example, if network 131.108.0.0 is subnetted as 255.255.255.0, subnet zero would be written as 131.108.0.0, which is the same as the network address.

You can use the all ones subnet (131.108.255.0) and even though it is discouraged, you can enable the use of subnet zero if you need the entire subnet space for your IP address.

Use the **no ip subnet-zero** global configuration command to restore the default and disable the use of subnet zero.

**Procedure**

	<b>Command or Action</b>	<b>Purpose</b>
<b>Step 1</b>	<b>enable</b> <b>Example:</b>  Device>enable	Enables privileged EXEC mode. Enter your password if prompted.
<b>Step 2</b>	<b>configure terminal</b> <b>Example:</b>  Device#configure terminal	Enters global configuration mode.
<b>Step 3</b>	<b>ip subnet-zero</b> <b>Example:</b>  Device (config)#ip subnet-zero	Enables the use of subnet zero for interface addresses and routing updates.
<b>Step 4</b>	<b>end</b> <b>Example:</b>  Device (config)#end	Returns to privileged EXEC mode.
<b>Step 5</b>	<b>show running-config</b> <b>Example:</b>  Device#show running-config	Verifies your entries.
<b>Step 6</b>	<b>copy running-config startup-config</b> <b>Example:</b>  Device#copy running-config startup-config	(Optional) Saves your entries in the configuration file.

**Disabling Classless Routing**

To prevent the device from forwarding packets destined for unrecognized subnets to the best supernet route possible, you can disable classless routing behavior.

**Procedure**

	<b>Command or Action</b>	<b>Purpose</b>
<b>Step 1</b>	<b>enable</b> <b>Example:</b>	Enables privileged EXEC mode. Enter your password if prompted.

	Command or Action	Purpose
	Device> <b>enable</b>	
<b>Step 2</b>	<b>configure terminal</b> <b>Example:</b> Device# <b>configure terminal</b>	Enters global configuration mode.
<b>Step 3</b>	<b>no ip classless</b> <b>Example:</b> Device(config)# <b>no ip classless</b>	Disables classless routing behavior.
<b>Step 4</b>	<b>end</b> <b>Example:</b> Device(config)# <b>end</b>	Returns to privileged EXEC mode.
<b>Step 5</b>	<b>show running-config</b> <b>Example:</b> Device# <b>show running-config</b>	Verifies your entries.
<b>Step 6</b>	<b>copy running-config startup-config</b> <b>Example:</b> Device# <b>copy running-config startup-config</b>	(Optional) Saves your entries in the configuration file.

## Configuring Address Resolution Methods

You can perform the following tasks to configure address resolution.

### Defining a Static ARP Cache

ARP and other address resolution protocols provide dynamic mapping between IP addresses and MAC addresses. Because most hosts support dynamic address resolution, you usually do not need to specify static ARP cache entries. If you must define a static ARP cache entry, you can do so globally, which installs a permanent entry in the ARP cache that the device uses to translate IP addresses into MAC addresses. Optionally, you can also specify that the device responds to ARP requests as if it were the owner of the specified IP address. If you do not want the ARP entry to be permanent, you can specify a timeout period for the ARP entry.

To define a static arp cache, perform this procedure:

## Procedure

	Command or Action	Purpose
<b>Step 1</b>	<b>enable</b> <b>Example:</b>  Device> <b>enable</b>	Enables privileged EXEC mode. Enter your password if prompted.
<b>Step 2</b>	<b>configure terminal</b> <b>Example:</b>  Device# <b>configure terminal</b>	Enters global configuration mode.
<b>Step 3</b>	<b>arp ip-address hardware-address type</b> <b>Example:</b>  Device (config) # <b>ip 10.1.5.1</b> <b>c2f3.220a.12f4 arpa</b>	Associates an IP address with a MAC (hardware) address in the ARP cache, and specifies encapsulation type as one of these: <ul style="list-style-type: none"> <li>• <b>arpa</b>—ARP encapsulation for Ethernet interfaces</li> <li>• <b>sap</b>—HP's ARP type</li> </ul>
<b>Step 4</b>	<b>arp ip-address hardware-address type [alias]</b> <b>Example:</b>  Device (config) # <b>ip 10.1.5.3</b> <b>d7f3.220d.12f5 arpa alias</b>	(Optional) Specifies that the switch responds to ARP requests as if it were the owner of the specified IP address.
<b>Step 5</b>	<b>interface interface-id</b> <b>Example:</b>  Device (config) # <b>interface gigabitethernet</b> <b>1/0/1</b>	Enters interface configuration mode, and specifies the interface to configure.
<b>Step 6</b>	<b>arp timeout seconds</b> <b>Example:</b>  Device (config-if) # <b>arp timeout 20000</b>	(Optional) Sets the length of time an ARP cache entry stays in the cache. The recommended value of ARP timeout is 4 hours which is also the default setting. However, if your network experiences regular updates to ARP cache entries, consider changing the timeout. Note that decreasing the ARP timeout can result in increased network traffic. It is not recommended to set the ARP timeout to 60 seconds or less.
<b>Step 7</b>	<b>end</b> <b>Example:</b>	Returns to privileged EXEC mode.

	Command or Action	Purpose
	Device (config) # <b>end</b>	
<b>Step 8</b>	<b>show interfaces</b> [ <i>interface-id</i> ] <b>Example:</b> Device# <b>show interfaces gigabitethernet 1/0/1</b>	Verifies the type of ARP and the timeout value that is used on all interfaces or a specific interface.
<b>Step 9</b>	<b>show arp</b> <b>Example:</b> Device# <b>show arp</b>	Views the contents of the ARP cache.
<b>Step 10</b>	<b>show ip arp</b> <b>Example:</b> Device# <b>show ip arp</b>	Views the contents of the ARP cache.
<b>Step 11</b>	<b>copy running-config startup-config</b> <b>Example:</b> Device# <b>copy running-config startup-config</b>	(Optional) Saves your entries in the configuration file.

## Setting ARP Encapsulation

By default, Ethernet ARP encapsulation (represented by the **arpa** keyword) is enabled on an IP interface.

### Procedure

	Command or Action	Purpose
<b>Step 1</b>	<b>enable</b> <b>Example:</b> Device> <b>enable</b>	Enables privileged EXEC mode. Enter your password if prompted.
<b>Step 2</b>	<b>configure terminal</b> <b>Example:</b> Device# <b>configure terminal</b>	Enters global configuration mode.
<b>Step 3</b>	<b>interface</b> <i>interface-id</i> <b>Example:</b>	Enters interface configuration mode, and specifies the Layer 3 interface to configure.

	Command or Action	Purpose
	Device (config)# <b>interface</b> gigabitethernet 1/0/2	
<b>Step 4</b>	<b>arp arpa</b> <b>Example:</b> Device (config-if)# <b>arp arpa</b>	Specifies the ARP encapsulation method. Use the <b>no arp arpa</b> command to disable ARP encapsulation method.
<b>Step 5</b>	<b>end</b> <b>Example:</b> Device (config)# <b>end</b>	Returns to privileged EXEC mode.
<b>Step 6</b>	<b>show interfaces</b> [ <i>interface-id</i> ] <b>Example:</b> Device# <b>show interfaces</b>	Verifies ARP encapsulation configuration on all interfaces or the specified interface.
<b>Step 7</b>	<b>copy running-config startup-config</b> <b>Example:</b> Device# <b>copy running-config startup-config</b>	(Optional) Saves your entries in the configuration file.

## Enabling Proxy ARP

By default, the device uses proxy ARP to help hosts learn MAC addresses of hosts on other networks or subnets.

### Procedure

	Command or Action	Purpose
<b>Step 1</b>	<b>enable</b> <b>Example:</b> Device> <b>enable</b>	Enables privileged EXEC mode. Enter your password if prompted.
<b>Step 2</b>	<b>configure terminal</b> <b>Example:</b> Device# <b>configure terminal</b>	Enters global configuration mode.

	Command or Action	Purpose
<b>Step 3</b>	<b>interface</b> <i>interface-id</i> <b>Example:</b>  Device(config)# <b>interface</b> gigabitethernet 1/0/2	Enters interface configuration mode, and specifies the Layer 3 interface to configure.
<b>Step 4</b>	<b>ip proxy-arp</b> <b>Example:</b>  Device(config-if)# <b>ip proxy-arp</b>	Enables proxy ARP on the interface.
<b>Step 5</b>	<b>end</b> <b>Example:</b>  Device(config)# <b>end</b>	Returns to privileged EXEC mode.
<b>Step 6</b>	<b>show ip interface</b> [ <i>interface-id</i> ] <b>Example:</b>  Device# <b>show ip interface</b> gigabitethernet 1/0/2	Verifies the configuration on the interface or all interfaces.
<b>Step 7</b>	<b>copy running-config startup-config</b> <b>Example:</b>  Device# <b>copy running-config startup-config</b>	(Optional) Saves your entries in the configuration file.

## Routing Assistance When IP Routing is Disabled

These mechanisms allow the device to learn about routes to other networks when it does not have IP routing enabled:

- Proxy ARP
- Default Gateway
- ICMP Router Discovery Protocol (IRDP)

### Proxy ARP

Proxy ARP is enabled by default. To enable it after it has been disabled, see the “Enabling Proxy ARP” section. Proxy ARP works as long as other routers support it.

## Default Gateway

Another method for locating routes is to define a default router or default gateway. All non-local packets are sent to this router, which either routes them appropriately or sends an IP Control Message Protocol (ICMP) redirect message back, defining which local router the host should use. The device caches the redirect messages and forwards each packet as efficiently as possible. A limitation of this method is that there is no means of detecting when the default router has gone down or is unavailable.

### Procedure

	Command or Action	Purpose
<b>Step 1</b>	<b>enable</b> <b>Example:</b> Device> <b>enable</b>	Enables privileged EXEC mode. Enter your password if prompted.
<b>Step 2</b>	<b>configure terminal</b> <b>Example:</b> Device# <b>configure terminal</b>	Enters global configuration mode.
<b>Step 3</b>	<b>ip default-gateway ip-address</b> <b>Example:</b> Device (config) # <b>ip default gateway</b> <b>10.1.5.1</b>	Sets up a default gateway (router).
<b>Step 4</b>	<b>end</b> <b>Example:</b> Device (config) # <b>end</b>	Returns to privileged EXEC mode.
<b>Step 5</b>	<b>show ip redirects</b> <b>Example:</b> Device# <b>show ip redirects</b>	Displays the address of the default gateway router to verify the setting.
<b>Step 6</b>	<b>copy running-config startup-config</b> <b>Example:</b> Device# <b>copy running-config startup-config</b>	(Optional) Saves your entries in the configuration file.



## ICMP Router Discovery Protocol (IRDP)

The only required task for IRDP routing on an interface is to enable IRDP processing on that interface. When enabled, the default parameters apply.

You can optionally change any of these parameters. If you change the **maxadvertinterval** value, the **holdtime** and **minadvertinterval** values also change, so it is important to first change the **maxadvertinterval** value, before manually changing either the **holdtime** or **minadvertinterval** values.

### Procedure

	Command or Action	Purpose
<b>Step 1</b>	<b>enable</b> <b>Example:</b> Device> <b>enable</b>	Enables privileged EXEC mode. <ul style="list-style-type: none"> <li>• Enter your password if prompted.</li> </ul>
<b>Step 2</b>	<b>configure terminal</b> <b>Example:</b> Device# <b>configure terminal</b>	Enters global configuration mode.
<b>Step 3</b>	<b>interface interface-id</b> <b>Example:</b> Device (config) # <b>interface gigabitethernet 1/0/1</b>	Enters interface configuration mode, and specifies the Layer 3 interface to configure.
<b>Step 4</b>	<b>ip irdp</b> <b>Example:</b> Device (config-if) # <b>ip irdp</b>	Enables IRDP processing on the interface.
<b>Step 5</b>	<b>ip irdp multicast</b> <b>Example:</b> Device (config-if) # <b>ip irdp multicast</b>	(Optional) Sends IRDP advertisements to the multicast address (224.0.0.1) instead of IP broadcasts.  <b>Note</b> This command allows for compatibility with Sun Microsystems Solaris, which requires IRDP packets to be sent out as multicasts. Many implementations cannot receive these multicasts; ensure end-host ability before using this command.
<b>Step 6</b>	<b>ip irdp holdtime seconds</b> <b>Example:</b>	(Optional) Sets the IRDP period for which advertisements are valid. The default is three

	Command or Action	Purpose
	Device (config-if) # <b>ip irdp holdtime 1000</b>	times the <b>maxadvertinterval</b> value. It must be greater than <b>maxadvertinterval</b> and cannot be greater than 9000 seconds. If you change the <b>maxadvertinterval</b> value, this value also changes.
<b>Step 7</b>	<b>ip irdp maxadvertinterval seconds</b> <b>Example:</b>  Device (config-if) # <b>ip irdp maxadvertinterval 650</b>	(Optional) Sets the IRDP maximum interval between advertisements. The default is 600 seconds.
<b>Step 8</b>	<b>ip irdp minadvertinterval seconds</b> <b>Example:</b>  Device (config-if) # <b>ip irdp minadvertinterval 500</b>	(Optional) Sets the IRDP minimum interval between advertisements. The default is 0.75 times the <b>maxadvertinterval</b> . If you change the <b>maxadvertinterval</b> , this value changes to the new default (0.75 of <b>maxadvertinterval</b> ).
<b>Step 9</b>	<b>ip irdp preference number</b> <b>Example:</b>  Device (config-if) # <b>ip irdp preference 2</b>	(Optional) Sets a device IRDP preference level. The allowed range is -231 to 231. The default is 0. A higher value increases the router preference level.
<b>Step 10</b>	<b>ip irdp address address [number]</b> <b>Example:</b>  Device (config-if) # <b>ip irdp address 10.1.10.10</b>	(Optional) Specifies an IRDP address and preference to proxy-advertise.
<b>Step 11</b>	<b>end</b> <b>Example:</b>  Device (config) # <b>end</b>	Returns to privileged EXEC mode.
<b>Step 12</b>	<b>show ip irdp</b> <b>Example:</b>  Device# <b>show ip irdp</b>	Verifies settings by displaying IRDP values.
<b>Step 13</b>	<b>copy running-config startup-config</b> <b>Example:</b>  Device# <b>copy running-config startup-config</b>	(Optional) Saves your entries in the configuration file.

## Configuring Broadcast Packet Handling

Perform the tasks in these sections to enable these schemes:

- Enabling Directed Broadcast-to-Physical Broadcast Translation
- Forwarding UDP Broadcast Packets and Protocols
- Establishing an IP Broadcast Address
- Flooding IP Broadcasts

### Enabling Directed Broadcast-to-Physical Broadcast Translation

By default, IP directed broadcasts are dropped; they are not forwarded. Dropping IP-directed broadcasts makes routers less susceptible to denial-of-service attacks.

You can enable forwarding of IP-directed broadcasts on an interface where the broadcast becomes a physical (MAC-layer) broadcast. Only those protocols configured by using the **ip forward-protocol** global configuration command are forwarded.

You can specify an access list to control which broadcasts are forwarded. When an access list is specified, only those IP packets permitted by the access list are eligible to be translated from directed broadcasts to physical broadcasts. For more information on access lists, see the “Configuring ACLs” chapter in the *Security Configuration Guide*.



**Note** The **ip network-broadcast** command must be configured at the ingress interface before configuring the **ip directed-broadcast** command at the egress interface. This ensures that the IP-directed broadcasts work correctly and prevents an outage from occurring after an upgrade.

#### Procedure

	Command or Action	Purpose
<b>Step 1</b>	<b>enable</b> <b>Example:</b> Device> <b>enable</b>	Enables privileged EXEC mode. Enter your password if prompted.
<b>Step 2</b>	<b>configure terminal</b> <b>Example:</b> Device# <b>configure terminal</b>	Enters global configuration mode.
<b>Step 3</b>	<b>interface interface-id</b> <b>Example:</b>	Enters interface configuration mode, and specifies the interface to configure.

	Command or Action	Purpose
	Device (config) # <b>interface gigabitethernet 1/0/2</b>	
<b>Step 4</b>	<b>ip network-broadcast</b> <b>Example:</b> Device (config-if) # <b>ip network-broadcast</b>	Enables the ingress interface to receive and accept the network-prefix-directed broadcast packets.
<b>Step 5</b>	<b>exit</b> <b>Example:</b> Device (config-if) # <b>exit</b>	Returns to global configuration mode.
<b>Step 6</b>	<b>interface interface-id</b> <b>Example:</b> Device (config) # <b>interface gigabitethernet 1/0/3</b>	Enters interface configuration mode, and specifies the interface to configure.
<b>Step 7</b>	<b>ip directed-broadcast [access-list-number]</b> <b>Example:</b> Device (config-if) # <b>ip directed-broadcast 103</b>	Enables directed broadcast-to-physical broadcast translation on the interface. You can include an access list to control which broadcasts are forwarded. When an access list, only IP packets permitted by the access list can be translated.
<b>Step 8</b>	<b>exit</b> <b>Example:</b> Device (config-if) # <b>exit</b>	Returns to global configuration mode.
<b>Step 9</b>	<b>ip forward-protocol {udp [port]   nd   sdns}</b> <b>Example:</b> Device (config) # <b>ip forward-protocol nd</b>	Specifies which protocols and ports the router forwards when forwarding broadcast packets. <ul style="list-style-type: none"> <li>• <b>udp</b>—Forward UDP datagrams. port: (Optional) Destination port that controls which UDP services are forwarded.</li> <li>• <b>nd</b>—Forward ND datagrams.</li> <li>• <b>sdns</b>—Forward SDNS datagrams</li> </ul>
<b>Step 10</b>	<b>end</b> <b>Example:</b> Device (config) # <b>end</b>	Returns to privileged EXEC mode.

	Command or Action	Purpose
<b>Step 11</b>	<b>show ip interface</b> [ <i>interface-id</i> ] <b>Example:</b>  Device# <b>show ip interface</b>	Verifies the configuration on the interface or all interfaces
<b>Step 12</b>	<b>show running-config</b> <b>Example:</b>  Device# <b>show running-config</b>	Verifies your entries.
<b>Step 13</b>	<b>copy running-config startup-config</b> <b>Example:</b>  Device# <b>copy running-config startup-config</b>	(Optional) Saves your entries in the configuration file.

## Forwarding UDP Broadcast Packets and Protocols

If you do not specify any UDP ports when you configure the forwarding of UDP broadcasts, you are configuring the router to act as a BOOTP forwarding agent. BOOTP packets carry DHCP information.

### Procedure

	Command or Action	Purpose
<b>Step 1</b>	<b>enable</b> <b>Example:</b>  Device> <b>enable</b>	Enables privileged EXEC mode.  Enter your password if prompted.
<b>Step 2</b>	<b>configure terminal</b> <b>Example:</b>  Device# <b>configure terminal</b>	Enters global configuration mode.
<b>Step 3</b>	<b>interface</b> <i>interface-id</i> <b>Example:</b>  Device (config)# <b>interface gigabitethernet 1/0/1</b>	Enters interface configuration mode, and specifies the Layer 3 interface to configure.

	Command or Action	Purpose
<b>Step 4</b>	<b>ip helper-address</b> <i>address</i> <b>Example:</b>  Device (config-if) # <b>ip helper address</b> <b>10.1.10.1</b>	Enables forwarding and specifies the destination address for forwarding UDP broadcast packets, including BOOTP.
<b>Step 5</b>	<b>exit</b> <b>Example:</b>  Device (config-if) # <b>exit</b>	Returns to global configuration mode.
<b>Step 6</b>	<b>ip forward-protocol</b> { <b>udp</b> [ <i>port</i> ]   <b>nd</b>   <b>sdns</b> } <b>Example:</b>  Device (config) # <b>ip forward-protocol sdns</b>	Specifies which protocols the router forwards when forwarding broadcast packets.
<b>Step 7</b>	<b>end</b> <b>Example:</b>  Device (config) # <b>end</b>	Returns to privileged EXEC mode.
<b>Step 8</b>	<b>show ip interface</b> [ <i>interface-id</i> ] <b>Example:</b>  Device# <b>show ip interface gigabitethernet</b> <b>1/0/1</b>	Verifies the configuration on the interface or all interfaces.
<b>Step 9</b>	<b>show running-config</b> <b>Example:</b>  Device# <b>show running-config</b>	Verifies your entries.
<b>Step 10</b>	<b>copy running-config startup-config</b> <b>Example:</b>  Device# <b>copy running-config</b> <b>startup-config</b>	(Optional) Saves your entries in the configuration file.

## Establishing an IP Broadcast Address

The most popular IP broadcast address (and the default) is an address consisting of all ones (255.255.255.255). However, the switch can be configured to generate any form of IP broadcast address.

## Procedure

	Command or Action	Purpose
<b>Step 1</b>	<b>enable</b> <b>Example:</b>  Device> <b>enable</b>	Enables privileged EXEC mode. Enter your password if prompted.
<b>Step 2</b>	<b>configure terminal</b> <b>Example:</b>  Device# <b>configure terminal</b>	Enters global configuration mode.
<b>Step 3</b>	<b>interface <i>interface-id</i></b> <b>Example:</b>  Device (config) # <b>interface gigabitethernet 1/0/1</b>	Enters interface configuration mode, and specifies the interface to configure.
<b>Step 4</b>	<b>ip broadcast-address <i>ip-address</i></b> <b>Example:</b>  Device (config-if) # <b>ip broadcast-address 128.1.255.255</b>	Enters a broadcast address different from the default, for example 128.1.255.255.
<b>Step 5</b>	<b>end</b> <b>Example:</b>  Device (config) # <b>end</b>	Returns to privileged EXEC mode.
<b>Step 6</b>	<b>show ip interface [<i>interface-id</i>]</b> <b>Example:</b>  Device# <b>show ip interface</b>	Verifies the broadcast address on the interface or all interfaces.
<b>Step 7</b>	<b>copy running-config startup-config</b> <b>Example:</b>  Device# <b>copy running-config startup-config</b>	(Optional) Saves your entries in the configuration file.

## Flooding IP Broadcasts

To configure IP broadcasts flooding, perform this procedure.

**Procedure**

	<b>Command or Action</b>	<b>Purpose</b>
<b>Step 1</b>	<b>enable</b> <b>Example:</b> Device> <b>enable</b>	Enables privileged EXEC mode. Enter your password if prompted.
<b>Step 2</b>	<b>configure terminal</b> <b>Example:</b> Device# <b>configure terminal</b>	Enters global configuration mode.
<b>Step 3</b>	<b>ip forward-protocol spanning-tree</b> <b>Example:</b> Device (config)# <b>ip forward-protocol spanning-tree</b>	Uses the bridging spanning-tree database to flood UDP datagrams.
<b>Step 4</b>	<b>ip forward-protocol turbo-flood</b> <b>Example:</b> Device (config)# <b>ip forward-protocol turbo-flood</b>	Uses the spanning-tree database to speed up flooding of UDP datagrams.
<b>Step 5</b>	<b>end</b> <b>Example:</b> Device (config)# <b>end</b>	Returns to privileged EXEC mode.
<b>Step 6</b>	<b>show running-config</b> <b>Example:</b> Device# <b>show running-config</b>	Verifies your entries.
<b>Step 7</b>	<b>copy running-config startup-config</b> <b>Example:</b> Device# <b>copy running-config startup-config</b>	(Optional) Saves your entries in the configuration file.

## How to Configure IP Unicast Routing

The following sections provide configuration information about IP unicast routing.



## Enabling IP Unicast Routing

On the C9500-12Q, C9500-16X, C9500-24Q, C9500-40X models of the Cisco Catalyst 9500 Series Switches, the device is in Layer 2 switching mode and IP routing is disabled by default and you must enable it to use the Layer 3 capabilities of the device.

On the C9500-32C, C9500-32QC, C9500-48Y4C, and C9500-24Y4C models of the Cisco Catalyst 9500 Series Switches, IP routing is enabled on the device by default.

### Procedure

	Command or Action	Purpose
<b>Step 1</b>	<b>enable</b> <b>Example:</b> Device> <b>enable</b>	Enables privileged EXEC mode. Enter your password if prompted.
<b>Step 2</b>	<b>configure terminal</b> <b>Example:</b> Device# <b>configure terminal</b>	Enters global configuration mode.
<b>Step 3</b>	<b>ip routing</b> <b>Example:</b> Device(config)# <b>ip routing</b>	Enables IP routing.
<b>Step 4</b>	<b>end</b> <b>Example:</b> Device(config)# <b>end</b>	Returns to privileged EXEC mode.
<b>Step 5</b>	<b>show running-config</b> <b>Example:</b> Device# <b>show running-config</b>	Verifies your entries.
<b>Step 6</b>	<b>copy running-config startup-config</b> <b>Example:</b> Device# <b>copy running-config startup-config</b>	(Optional) Saves your entries in the configuration file.

## What to Do Next

You can now set up parameters for the selected routing protocols as described in these sections:

- RIP
- OSPF,
- EIGRP
- BGP
- Unicast Reverse Path Forwarding
- Protocol-Independent Features (optional)

## Configuration Example: Enabling IP Routing

This example shows how to enable IP routing using RIP as the routing protocol:

```
Device#configure terminal
Enter configuration commands, one per line. End with CNTL/Z.
Device(config)#ip routing
Device(config-router)#end
```

## Monitoring and Maintaining IP Addressing

When the contents of a particular cache, table, or database have become or are suspected to be invalid, you can remove all its contents by using the **clear** privileged EXEC commands. The Table lists the commands for clearing contents.

**Table 4: Commands to Clear Caches, Tables, and Databases**

Command	Purpose
<b>clear arp-cache</b>	Clears the IP ARP cache and the fast-switching cache.
<b>clear host</b> { <i>name</i>   *}	Removes one or all entries from the hostname and the address cache.
<b>clear ip route</b> { <i>network</i> [ <i>mask</i> ]   *}	Removes one or more routes from the IP routing table.

You can display specific statistics, such as the contents of IP routing tables, caches, and databases; the reachability of nodes; and the routing path that packets are taking through the network. The Table lists the privileged EXEC commands for displaying IP statistics.

**Table 5: Commands to Display Caches, Tables, and Databases**

Command	Purpose
<b>show arp</b>	Displays the entries in the ARP table.

Command	Purpose
<b>show hosts</b>	Displays the default domain name, style of lookup service, name server, and the cached list of hostnames and addresses.
<b>show ip aliases</b>	Displays IP addresses mapped to TCP ports (aliases).
<b>show ip arp</b>	Displays the IP ARP cache.
<b>show ip interface</b> [ <i>interface-id</i> ]	Displays the IP status of interfaces.
<b>show ip irdp</b>	Displays IRDP values.
<b>show ip masks</b> <i>address</i>	Displays the masks used for network addresses and the number of each mask.
<b>show ip redirects</b>	Displays the address of a default gateway.
<b>show ip route</b> [ <i>address</i> [ <i>mask</i> ]]   [ <i>protocol</i> ]	Displays the current state of the routing table.
<b>show ip route summary</b>	Displays the current state of the routing table in summary form.

## Monitoring and Maintaining the IP Network

You can remove all contents of a particular cache, table, or database. You can also display specific statistics.

**Table 6: Command to Clear IP Routes or Display Route Status**

Command	Purpose
<b>show ip route summary</b>	Displays the current state of the routing table in summary form.

## Feature History for IP Unicast Routing

This table provides release and related information for the features explained in this module.

These features are available in all the releases subsequent to the one they were introduced in, unless noted otherwise.

Release	Feature	Feature Information
Cisco IOS XE Everest 16.5.1a	IP Unicast Routing	IP Unicast Routing is a routing process that forwards traffic to an unicast address. Layer 3 switches route packets either through preprogrammed static routes or through default routes.

Release	Feature	Feature Information
Cisco IOS XE Fuji 16.8.1a	IP Unicast Routing	Support for this feature was introduced only on the C9500-32C, C9500-32QC, C9500-48Y4C, and C9500-24Y4C models of the Cisco Catalyst 9500 Series Switches.
Cisco IOS XE Amsterdam 17.3.1	New command <b>ip network-broadcast</b>	<b>ip network-broadcast</b> command was introduced to receive and accept network-prefix-directed broadcast packets.
Cisco IOS XE Cupertino 17.7.1	IP Unicast Routing	Support for this feature was introduced on the C9500X-28C8D model of the Cisco Catalyst 9500 Series Switches.



## CHAPTER 6

# Configuring IPv6 Unicast Routing

- [Information About Configuring IPv6 Unicast Routing, on page 99](#)
- [How to Configure IPv6 Unicast Routing, on page 103](#)
- [Configuration Examples for IPv6 Unicast Routing, on page 117](#)
- [Additional References, on page 119](#)
- [Feature History for IPv6 Unicast Routing, on page 120](#)

## Information About Configuring IPv6 Unicast Routing

This chapter describes how to configure IPv6 unicast routing on the switch.



**Note** To use all IPv6 features in this chapter, the switch or active switch must be running the Network Advantage license. Switches running the Network Essentials license support IPv6 static routing and RIP for IPv6. Switches running the Network Advantage license support OSPF, EIGRP and BGP for IPv6.

## Understanding IPv6

IPv4 users can move to IPv6 and receive services such as end-to-end security, quality of service (QoS), and globally unique addresses. The IPv6 address space reduces the need for private addresses and Network Address Translation (NAT) processing by border routers at network edges.

For information about how Cisco Systems implements IPv6, go to:

[http://www.cisco.com/en/US/products/ps6553/products\\_ios\\_technology\\_home.html](http://www.cisco.com/en/US/products/ps6553/products_ios_technology_home.html)

For information about IPv6 and other features in this chapter

- See the *Cisco IOS IPv6 Configuration Library*.
- Use the Search field on Cisco.com to locate the Cisco IOS software documentation. For example, if you want information about static routes, you can enter *Implementing Static Routes for IPv6* in the search field to learn about static routes.

## Static Routes for IPv6

Static routes are manually configured and define an explicit route between two networking devices. Static routes are useful for smaller networks with only one path to an outside network or to provide security for certain types of traffic in a larger network.

Configuring Static Routing for IPv6 (CLI)

For configuring static routes for IPv6, see the *Configuring Static Routing for IPv6* section.

For more information about static routes, see the “Implementing Static Routes for IPv6” chapter in the *Cisco IOS IPv6 Configuration Library* on Cisco.com.

## Path MTU Discovery for IPv6 Unicast

The switch supports advertising the system maximum transmission unit (MTU) to IPv6 nodes and path MTU discovery. Path MTU discovery allows a host to dynamically discover and adjust to differences in the MTU size of every link along a given data path. In IPv6, if a link along the path is not large enough to accommodate the packet size, the source of the packet handles the fragmentation.

## ICMPv6

The Internet Control Message Protocol (ICMP) in IPv6 generates error messages, such as ICMP destination unreachable messages, to report errors during processing and other diagnostic functions. In IPv6, ICMP packets are also used in the neighbor discovery protocol and path MTU discovery.

## Neighbor Discovery

The switch supports NDP for IPv6, a protocol running on top of ICMPv6, and static neighbor entries for IPv6 stations that do not support NDP. The IPv6 neighbor discovery process uses ICMP messages and solicited-node multicast addresses to determine the link-layer address of a neighbor on the same network (local link), to verify the reachability of the neighbor, and to keep track of neighboring routers.

The switch supports ICMPv6 redirect for routes with mask lengths less than 64 bits. ICMP redirect is not supported for host routes or for summarized routes with mask lengths greater than 64 bits.

Neighbor discovery throttling ensures that the switch CPU is not unnecessarily burdened while it is in the process of obtaining the next hop forwarding information to route an IPv6 packet. The switch drops any additional IPv6 packets whose next hop is the same neighbor that the switch is actively trying to resolve. This drop avoids further load on the CPU.

## IPv6 Router Advertisement Options for DNS Configuration

Most of the internet services are identified by a Domain Name Server (DNS) name. IPv6 Router Advertisement (RA) provides the following two options to allow IPv6 hosts to perform automatic DNS configuration:

- Recursive DNS Server (RDNSS)
- DNS Search List (DNSSL)

RDNSS contains the address of recursive DNS servers that help in DNS name resolution in IPv6 hosts. DNS Search List is a list of DNS suffix domain names used by IPv6 hosts when they perform DNS query searches.

For more information on RA options for DNS configuration, refer IETF RFC 6106.

For configuring DNSSL, see the *Configuring DNS Search List Using IPv6 Router Advertisement Options* section of the *IP Addressing Services Configuration Guide*.

## Default Router Preference

The switch supports IPv6 default router preference (DRP), an extension in router advertisement messages. DRP improves the ability of a host to select an appropriate router, especially when the host is multihomed and the routers are on different links. The switch does not support the Route Information Option in RFC 4191.

An IPv6 host maintains a default router list from which it selects a router for traffic to offlink destinations. The selected router for a destination is then cached in the destination cache. NDP for IPv6 specifies that routers that are reachable or probably reachable are preferred over routers whose reachability is unknown or suspect. For reachable or probably reachable routers, NDP can either select the same router every time or cycle through the router list. By using DRP, you can configure an IPv6 host to prefer one router over another, provided both are reachable or probably reachable.

For configuring DRP for IPv6, see the *Configuring Default Router Preference* section.

For more information about DRP for IPv6, see the *Cisco IOS IPv6 Configuration Library* on Cisco.com.

## Policy-Based Routing for IPv6

Policy-based routing (PBR) gives you a flexible means of routing packets by allowing you to configure a defined policy for traffic flows, which lessens reliance on routes derived from routing protocols. Therefore, PBR gives you more control over routing by extending and complementing the existing mechanisms provided by routing protocols. PBR allows you to set the IPv6 precedence. For a simple policy, you can use any one of these tasks; for a complex policy, you can use all of them. It also allows you to specify a path for certain traffic, such as priority traffic over a high-cost link.

PBR for IPv6 may be applied to both forwarded and originated IPv6 packets. For forwarded packets, PBR for IPv6 will be implemented as an IPv6 input interface feature, supported in the following forwarding paths:

- Process
- Cisco Express Forwarding (formerly known as CEF)
- Distributed Cisco Express Forwarding

Policies can be based on the IPv6 address, port numbers, protocols, or packet size.

PBR allows you to perform the following tasks:

- Classify traffic based on extended access list criteria. Access lists, then, establish the match criteria.
- Set IPv6 precedence bits, giving the network the ability to enable differentiated classes of service.
- Route packets to specific traffic-engineered paths; you might need to route them to allow a specific quality of service (QoS) through the network.

PBR allows you to classify and mark packets at the edge of the network. PBR marks a packet by setting precedence value. The precedence value can be used directly by devices in the network core to apply the appropriate QoS to a packet, which keeps packet classification at your network edge.

For enabling PBR for IPv6, see the *Enabling Local PBR for IPv6* section.

For enabling IPv6 PBR for an interface, see the *Enabling IPv6 PBR on an Interface* section.

## Unsupported IPv6 Unicast Routing Features

The switch does not support these IPv6 features:

- VPN is supported on the Cisco Catalyst 9500 Series Switches - High Performance Series Switches.
- IPv6 packets destined to site-local addresses
- Tunneling protocols, such as IPv4-to-IPv6 or IPv6-to-IPv4
- The switch as a tunnel endpoint supporting IPv4-to-IPv6 or IPv6-to-IPv4 tunneling protocols
- IPv6 Web Cache Communication Protocol (WCCP)

## IPv6 Feature Limitations

Because IPv6 is implemented in switch hardware, some limitations occur due to the IPv6 compressed addresses in the hardware memory. This hardware limitation results in some loss of functionality and limits some features. For example, the switch cannot apply QoS classification on source-routed IPv6 packets in hardware.

## IPv6 and Switch Stacks

The switch supports IPv6 forwarding across the stack and IPv6 host functionality on the active switch. The active switch runs the IPv6 unicast routing protocols and computes the routing tables. They receive the tables and create hardware IPv6 routes for forwarding. The active switch also runs all IPv6 applications.

If a new switch becomes the active switch, it recomputes the IPv6 routing tables and distributes them to the member switches. While the new active switch is being elected and is resetting, the switch stack does not forward IPv6 packets. The stack MAC address changes, which also changes the IPv6 address. When you specify the stack IPv6 address with an extended unique identifier (EUI) by using the **ipv6 address ipv6-prefix/prefix length eui-64** interface configuration command, the address is based on the interface MAC address. See the *Configuring IPv6 Addressing and Enabling IPv6 Routing* section.

If you configure the persistent MAC address feature on the stack and the active switch changes, the stack MAC address does not change for approximately 4 minutes.

These are the functions of IPv6 active switch and members:

- Active switch:
  - runs IPv6 routing protocols
  - generates routing tables
  - distributes routing tables to member switches that use distributed Cisco Express Forwarding for IPv6
  - runs IPv6 host functionality and IPv6 applications
- Member switch:
  - receives Cisco Express Forwarding for IPv6 routing tables from the active switch
  - programs the routes into hardware





**Note** IPv6 packets are routed in hardware across the stack if the packet does not have exceptions (IPv6 Options) and the switches in the stack have not run out of hardware resources.

- flushes the Cisco Express Forwarding for IPv6 tables on active switch re-election

## Default IPv6 Configuration

*Table 7: Default IPv6 Configuration*

Feature	Default Setting
SDM template	Default is core template
IPv6 routing	Disabled globally and on all interfaces
Cisco Express Forwarding for IPv6 or distributed Cisco Express Forwarding for IPv6	Disabled (IPv4 Cisco Express Forwarding and distributed Cisco Express Forwarding are enabled by default)  <b>Note</b> When IPv6 routing is enabled, Cisco Express Forwarding for IPv6 and distributed Cisco Express Forwarding for IPv6 are automatically enabled.
IPv6 addresses	None configured

## How to Configure IPv6 Unicast Routing

The following sections shows the various configuration options available for IPv6 Unicast Routing

### Configuring IPv6 Addressing and Enabling IPv6 Routing

This section describes how to assign IPv6 addresses to individual Layer 3 interfaces and to globally forward IPv6 traffic on the switch.



**Note** IPv6 routing is not enabled by default and needs to be enabled using the **ipv6 unicast-routing** command.

Before configuring IPv6 on the switch, consider these guidelines:

- Not all features discussed in this chapter are supported by the switch. See the [Unsupported IPv6 Unicast Routing Features](#).
- In the **ipv6 address** interface configuration command, you must enter the *ipv6-address* and *ipv6-prefix* variables with the address specified in hexadecimal using 16-bit values between colons. The *prefix-length*

variable (preceded by a slash [/]) is a decimal value that shows how many of the high-order contiguous bits of the address comprise the prefix (the network portion of the address).

To forward IPv6 traffic on an interface, you must configure a global IPv6 address on that interface. Configuring an IPv6 address on an interface automatically configures a link-local address and activates IPv6 for the interface. The configured interface automatically joins these required multicast groups for that link:

- solicited-node multicast group FF02:0:0:0:1:ff00::/104 for each unicast address assigned to the interface (this address is used in the neighbor discovery process.)
- all-nodes link-local multicast group FF02::1
- all-routers link-local multicast group FF02::2

To remove an IPv6 address from an interface, use the **no ipv6 address** *ipv6-prefix/prefix length eui-64* or **no ipv6 address** *ipv6-address link-local* interface configuration command. To remove all manually configured IPv6 addresses from an interface, use the **no ipv6 address** interface configuration command without arguments. To disable IPv6 processing on an interface that has not been explicitly configured with an IPv6 address, use the **no ipv6 enable** interface configuration command. To globally disable IPv6 routing, use the **no ipv6 unicast-routing** global configuration command.

For more information about configuring IPv6 routing, see the “Implementing Addressing and Basic Connectivity for IPv6” chapter in the *Cisco IOS IPv6 Configuration Library* on Cisco.com.

To assign an IPv6 address to a Layer 3 interface and enable IPv6 routing, perform this procedure:

### Procedure

	Command or Action	Purpose
<b>Step 1</b>	<b>enable</b> <b>Example:</b> Device> <b>enable</b>	Enables privileged EXEC mode. Enter your password if prompted.
<b>Step 2</b>	<b>configure terminal</b> <b>Example:</b> Device# <b>configure terminal</b>	Enters global configuration mode.
<b>Step 3</b>	<b>sdm prefer {core   distribution   nat   sda}</b> <b>Example:</b> Device(config)# <b>sdm prefer core</b>	Selects an SDM template: <ul style="list-style-type: none"> <li>• <b>core</b>—Sets the switch to the default template.</li> <li>• <b>distribution</b>—Sets the distribution template</li> <li>• <b>nat</b>—Maximizes the NAT configuration on the switch.</li> <li>• <b>sda</b>—Sets the sda template</li> </ul>

	Command or Action	Purpose
<b>Step 4</b>	<b>end</b> <b>Example:</b> Device (config) # <b>end</b>	Returns to privileged EXEC mode.
<b>Step 5</b>	<b>reload</b> <b>Example:</b> Device# <b>reload</b>	Reloads the operating system.
<b>Step 6</b>	<b>configure terminal</b> <b>Example:</b> Device# <b>configure terminal</b>	Enters global configuration mode after the switch reloads.
<b>Step 7</b>	<b>interface interface-id</b> <b>Example:</b> Device (config) # <b>interface</b> <b>gigabitethernet 1/0/1</b>	Enters interface configuration mode, and specifies the Layer 3 interface to configure. The interface can be a physical interface, a switch virtual interface (SVI), or a Layer 3 EtherChannel.
<b>Step 8</b>	<b>no switchport</b> <b>Example:</b> Device (config-if) # <b>no switchport</b>	Removes the interface from Layer 2 configuration mode (if it is a physical interface).
<b>Step 9</b>	Use one of the following: <ul style="list-style-type: none"> <li>• <b>ipv6 address ipv6-prefix/prefix length eui-64</b></li> <li>• <b>ipv6 address ipv6-address/prefix length</b></li> <li>• <b>ipv6 address ipv6-address link-local</b></li> <li>• <b>ipv6 enable</b></li> <li>• <b>ipv6 address WORD</b></li> <li>• <b>ipv6 address autoconfig</b></li> <li>• <b>ipv6 address dhcp</b></li> </ul> <b>Example:</b> Device (config-if) # <b>ipv6 address</b> <b>2001:0DB8:c18:1::/64 eui 64</b>  Device (config-if) # <b>ipv6 address</b> <b>2001:0DB8:c18:1::/64</b>	<ul style="list-style-type: none"> <li>• Specifies a global IPv6 address with an extended unique identifier (EUI) in the low-order 64 bits of the IPv6 address. Specify only the network prefix; the last 64 bits are automatically computed from the switch MAC address. This enables IPv6 processing on the interface.</li> <li>• Manually configures an IPv6 address on the interface.</li> <li>• Specifies a link-local address on the interface to be used instead of the link-local address that is automatically configured when IPv6 is enabled on the interface. This command enables IPv6 processing on the interface.</li> </ul>

	Command or Action	Purpose
	<pre>Device(config-if)# ipv6 address 2001:0DB8:c18:1:: link-local  Device(config-if)# ipv6 enable</pre>	<ul style="list-style-type: none"> <li>Automatically configures an IPv6 link-local address on the interface, and enables the interface for IPv6 processing. The link-local address can only be used to communicate with nodes on the same link.</li> </ul>
<b>Step 10</b>	<pre>exit</pre> <p><b>Example:</b></p> <pre>Device(config-if)# exit</pre>	Returns to global configuration mode.
<b>Step 11</b>	<pre>ip routing</pre> <p><b>Example:</b></p> <pre>Device(config)# ip routing</pre>	<p>Enables IP routing on the switch.</p> <p><b>Note</b> On the C9500-32C, C9500-32QC, C9500-48Y4C, and C9500-24Y4C models of the Cisco Catalyst 9500 Series Switches, IP routing is enabled on the device by default.</p>
<b>Step 12</b>	<pre>ipv6 unicast-routing</pre> <p><b>Example:</b></p> <pre>Device(config)# ipv6 unicast-routing</pre>	Enables forwarding of IPv6 unicast data packets.
<b>Step 13</b>	<pre>end</pre> <p><b>Example:</b></p> <pre>Device(config)# end</pre>	Returns to privileged EXEC mode.
<b>Step 14</b>	<pre>show ipv6 interface interface-id</pre> <p><b>Example:</b></p> <pre>Device# show ipv6 interface gigabitethernet 1/0/1</pre>	Verifies your entries.
<b>Step 15</b>	<pre>copy running-config startup-config</pre> <p><b>Example:</b></p> <pre>Device# copy running-config startup-config</pre>	(Optional) Saves your entries in the configuration file.

## Configuring IPv4 and IPv6 Protocol Stacks

Beginning in privileged EXEC mode, follow these steps to configure a Layer 3 interface to support both IPv4 and IPv6 and to enable IPv6 routing.



**Note** To disable IPv6 processing on an interface that has not been configured with an IPv6 address, use the **no ipv6 enable** command in interface configuration mode.

### Procedure

	Command or Action	Purpose
<b>Step 1</b>	<b>enable</b> <b>Example:</b> Device> <b>enable</b>	Enables privileged EXEC mode. Enter your password if prompted.
<b>Step 2</b>	<b>configure terminal</b> <b>Example:</b> Device# <b>configure terminal</b>	Enters global configuration mode.
<b>Step 3</b>	<b>ip routing</b> <b>Example:</b> Device(config)# <b>ip routing</b>	Enables routing on the switch. <b>Note</b> On the C9500-32C, C9500-32QC, C9500-48Y4C, and C9500-24Y4C models of the Cisco Catalyst 9500 Series Switches, IP routing is enabled on the device by default.
<b>Step 4</b>	<b>ipv6 unicast-routing</b> <b>Example:</b> Device(config)# <b>ipv6 unicast-routing</b>	Enables forwarding of IPv6 data packets on the switch.
<b>Step 5</b>	<b>interface interface-id</b> <b>Example:</b> Device(config)# <b>interface gigabitethernet 1/0/1</b>	Enters interface configuration mode, and specifies the Layer 3 interface to configure.
<b>Step 6</b>	<b>no switchport</b> <b>Example:</b> Device(config-if)# <b>no switchport</b>	Removes the interface from Layer 2 configuration mode (if it is a physical interface).
<b>Step 7</b>	<b>ip address ip-address mask [secondary]</b> <b>Example:</b> Device(config-if)# <b>ip address 10.1.2.3 255.255.255</b>	Specifies a primary or secondary IPv4 address for the interface.

	Command or Action	Purpose
<b>Step 8</b>	Use one of the following: <ul style="list-style-type: none"> <li>• <b>ipv6 address</b> <i>ipv6-prefix/prefix length eui-64</i></li> <li>• <b>ipv6 address</b> <i>ipv6-address/prefix length</i></li> <li>• <b>ipv6 address</b> <i>ipv6-address link-local</i></li> <li>• <b>ipv6 enable</b></li> <li>• <b>ipv6 address</b> <i>WORD</i></li> <li>• <b>ipv6 address</b> <i>autoconfig</i></li> <li>• <b>ipv6 address</b> <i>dhcp</i></li> </ul>	<ul style="list-style-type: none"> <li>• Specifies a global IPv6 address. Specify only the network prefix; the last 64 bits are automatically computed from the switch MAC address.</li> <li>• Specifies a link-local address on the interface to be used instead of the automatically configured link-local address when IPv6 is enabled on the interface.</li> <li>• Automatically configures an IPv6 link-local address on the interface, and enables the interface for IPv6 processing. The link-local address can only be used to communicate with nodes on the same link.</li> </ul> <p><b>Note</b> To remove all manually configured IPv6 addresses from an interface, use the <b>no ipv6 address</b> interface configuration command without arguments.</p>
<b>Step 9</b>	<b>end</b> <b>Example:</b> Device (config) # <b>end</b>	Returns to privileged EXEC mode.
<b>Step 10</b>	Use one of the following: <ul style="list-style-type: none"> <li>• <b>show interface</b> <i>interface-id</i></li> <li>• <b>show ip interface</b> <i>interface-id</i></li> <li>• <b>show ipv6 interface</b> <i>interface-id</i></li> </ul>	Verifies your entries.
<b>Step 11</b>	<b>copy running-config startup-config</b> <b>Example:</b> Device# <b>copy running-config startup-config</b>	(Optional) Saves your entries in the configuration file.

## Configuring Recursive DNS Server (RDNSS)

You can configure up to eight DNS servers to advertise with Router Advertisement. You can also remove one or more DNS servers from the advertising list by using the **no** form of the command.

### Before you begin

Ensure that you are in the correct VDC (or use the **switchto vdc** command).

**Procedure**

	<b>Command or Action</b>	<b>Purpose</b>
<b>Step 1</b>	<b>enable</b> <b>Example:</b> Device> <b>enable</b>	Enables privileged EXEC mode. Enter the password if prompted.
<b>Step 2</b>	<b>configure terminal</b> <b>Example:</b> Device# <b>configure terminal</b>	Enters global configuration mode.
<b>Step 3</b>	<b>interface ethernet <i>number</i></b> <b>Example:</b> Device(config)# <b>interface ethernet 3/3</b>	Enters interface configuration mode.
<b>Step 4</b>	<b>ipv6 nd ra dns server <i>ipv6-addr</i> [<i>rdnss-life</i>   <i>infinite</i>] <b>sequence <i>sequence-num</i></b></b> <b>Example:</b> Device(config-if)# <b>ipv6 nd ra dns server 1::1 1000 sequence 0</b>	Configures the recursive DNS server. You can specify the life time and the sequence of the server.
<b>Step 5</b>	<b>show ipv6 nd ra dns server [interface <i>interface</i>]</b> <b>Example:</b> Device(config-if)# <b>show ipv6 nd ra dns server</b>	(Optional) Displays the configured RDNSS list.
<b>Step 6</b>	<b>ipv6 nd ra dns server suppress</b> <b>Example:</b> Device(config-if)# <b>ipv6 nd ra dns server suppress</b>	(Optional) Disables the configured server list.

## Configuring Default Router Preference

Router advertisement messages are sent with the default router preference (DRP) configured by the **ipv6 nd router-preference** interface configuration command. If no DRP is configured, RAs are sent with a medium preference.

A DRP is useful when two routers on a link might provide equivalent, but not equal-cost routing, and policy might dictate that hosts should prefer one of the routers.

For more information about configuring DRP for IPv6, see the “Implementing IPv6 Addresses and Basic Connectivity” chapter in the *Cisco IOS IPv6 Configuration Library* on Cisco.com.

Beginning in privileged EXEC mode, follow these steps to configure a DRP for a router on an interface.

**Procedure**

	<b>Command or Action</b>	<b>Purpose</b>
<b>Step 1</b>	<b>enable</b> <b>Example:</b> Device> <b>enable</b>	Enables privileged EXEC mode. Enter your password if prompted.
<b>Step 2</b>	<b>configure terminal</b> <b>Example:</b> Device# <b>configure terminal</b>	Enters global configuration mode.
<b>Step 3</b>	<b>interface <i>interface-id</i></b> <b>Example:</b> Device (config)# <b>interface gigabitethernet 1/0/1</b>	Enters interface configuration mode and identifies the Layer 3 interface on which you want to specify the DRP.
<b>Step 4</b>	<b>ipv6 nd router-preference {high   medium   low}</b> <b>Example:</b> Device (config-if)# <b>ipv6 nd router-preference medium</b>	Specifies a DRP for the router on the switch interface.
<b>Step 5</b>	<b>end</b> <b>Example:</b> Device (config)# <b>end</b>	Returns to privileged EXEC mode.
<b>Step 6</b>	<b>show ipv6 interface</b> <b>Example:</b> Device# <b>show ipv6 interface</b>	Verifies the configuration.
<b>Step 7</b>	<b>copy running-config startup-config</b> <b>Example:</b> Device# <b>copy running-config startup-config</b>	(Optional) Saves your entries in the configuration file.

## Configuring IPv6 ICMP Rate Limiting

ICMP rate limiting is enabled by default with a default interval between error messages of 100 milliseconds and a bucket size (maximum number of tokens to be stored in a bucket) of 10.

To change the ICMP rate-limiting parameters, perform this procedure:

**Procedure**

	<b>Command or Action</b>	<b>Purpose</b>
<b>Step 1</b>	<b>enable</b>	Enables privileged EXEC mode.



	Command or Action	Purpose
	<b>Example:</b> Device> <b>enable</b>	Enter your password if prompted.
<b>Step 2</b>	<b>configure terminal</b> <b>Example:</b> Device# <b>configure terminal</b>	Enters global configuration mode.
<b>Step 3</b>	<b>ipv6 icmp error-interval interval [bucket-size]</b> <b>Example:</b> Device(config)# <b>ipv6 icmp error-interval 50 20</b>	Configures the interval and bucket size for IPv6 ICMP error messages: <ul style="list-style-type: none"> <li>• <i>interval</i>—The interval (in milliseconds) between tokens being added to the bucket. The range is from 0 to 2147483647 milliseconds.</li> <li>• <i>bucket-size</i>—(Optional) The maximum number of tokens stored in the bucket. The range is from 1 to 200.</li> </ul>
<b>Step 4</b>	<b>end</b> <b>Example:</b> Device(config)# <b>end</b>	Returns to privileged EXEC mode.
<b>Step 5</b>	<b>show ipv6 interface [interface-id]</b> <b>Example:</b> Device# <b>show ipv6 interface gigabitethernet0/1</b>	Verifies your entries.
<b>Step 6</b>	<b>copy running-config startup-config</b> <b>Example:</b> Device# <b>copy running-config startup-config</b>	(Optional) Saves your entries in the configuration file.

## Configuring Cisco Express Forwarding and distributed Cisco Express Forwarding for IPv6

Cisco Express Forwarding is a Layer 3 IP switching technology to improve network performance. Cisco Express Forwarding implements an advanced IP look-up and forwarding algorithm to deliver maximum Layer 3 switching performance. It is less CPU-intensive than fast-switching route-caching, allowing more CPU processing power to be dedicated to packet forwarding. IPv4 Cisco Express Forwarding and distributed Cisco Express Forwarding are enabled by default. IPv6 Cisco Express Forwarding and distributed Cisco Express Forwarding are disabled by default, but automatically enabled when you configure IPv6 routing.

IPv6 Cisco Express Forwarding and distributed Cisco Express Forwarding are automatically disabled when IPv6 routing is unconfigured. IPv6 Cisco Express Forwarding and distributed Cisco Express Forwarding cannot be disabled through configuration. You can verify the IPv6 state by entering the **show ipv6 cef** command in privileged EXEC mode.

To route IPv6 unicast packets, you must first globally configure forwarding of IPv6 unicast packets by using the **ipv6 unicast-routing** global configuration command, and you must configure an IPv6 address and IPv6 processing on an interface by using the **ipv6 address** command in interface configuration mode.

For more information about configuring Cisco Express Forwarding and distributed Cisco Express Forwarding, see *Cisco IOS IPv6 Configuration Library* on Cisco.com.

## Configuring Static Routing for IPv6

For more information about configuring static IPv6 routing, see the “Implementing Static Routes for IPv6” chapter in the *Cisco IOS IPv6 Configuration Library* on Cisco.com.

To configure static IPv6 routing, perform this procedure:

### Before you begin

You must enable routing by using the **ip routing** global configuration command, enable the forwarding of IPv6 packets by using the **ipv6 unicast-routing** command in global configuration mode, and enable IPv6 on at least one Layer 3 interface by configuring an IPv6 address on the interface.

### Procedure

	Command or Action	Purpose
<b>Step 1</b>	<b>enable</b> <b>Example:</b> Device> <b>enable</b>	Enables privileged EXEC mode. Enter your password if prompted.
<b>Step 2</b>	<b>configure terminal</b> <b>Example:</b> Device# <b>configure terminal</b>	Enters global configuration mode.
<b>Step 3</b>	<b>ipv6 route</b> <i>ipv6-prefix/prefix length</i> <i>{ipv6-address   interface-id [ipv6-address]}</i> <i>[administrative distance]</i> <b>Example:</b> Device(config)# <b>ipv6 route</b> 2001:0DB8::/32 gigabitethernet2/0/1 130	Configures a static IPv6 route. <ul style="list-style-type: none"> <li>• <i>ipv6-prefix</i>—The IPv6 network that is the destination of the static route. It can also be a hostname when static host routes are configured.</li> <li>• <i>/prefix length</i>—The length of the IPv6 prefix. A decimal value that shows how many of the high-order contiguous bits of the address comprise the prefix (the network portion of the address). A slash mark must precede the decimal value.</li> <li>• <i>ipv6-address</i>—The IPv6 address of the next hop that can be used to reach the specified network. The IPv6 address of the next hop need not be directly connected; recursion is done to find the IPv6 address of the directly connected next hop. The address must be in the form documented</li> </ul>

	Command or Action	Purpose
		<p>in RFC 2373, specified in hexadecimal using 16-bit values between colons.</p> <ul style="list-style-type: none"> <li>• <i>interface-id</i>—Specifies direct static routes from point-to-point and broadcast interfaces. With point-to-point interfaces, there is no need to specify the IPv6 address of the next hop. With broadcast interfaces, you should always specify the IPv6 address of the next hop, or ensure that the specified prefix is assigned to the link, specifying a link-local address as the next hop. You can optionally specify the IPv6 address of the next hop to which packets are sent.</li> </ul> <p><b>Note</b> You must specify an <i>interface-id</i> when using a link-local address as the next hop (the link-local next hop must also be an adjacent router).</p> <ul style="list-style-type: none"> <li>• <i>administrative distance</i>—(Optional) An administrative distance. The range is 1 to 254; the default value is 1, which gives static routes precedence over any other type of route except connected routes. To configure a floating static route, use an administrative distance greater than that of the dynamic routing protocol.</li> </ul>
<b>Step 4</b>	<p><b>end</b></p> <p><b>Example:</b></p> <pre>Device(config)# end</pre>	Returns to privileged EXEC mode.
<b>Step 5</b>	<p>Use one of the following:</p> <ul style="list-style-type: none"> <li>• <b>show ipv6 static</b> [ <i>ipv6-address</i>   <i>ipv6-prefix/prefix length</i> ] [<b>interface</b> <i>interface-id</i>] [<b>detail</b>][<b>recursive</b>] [<b>detail</b>]</li> <li>• <b>show ipv6 route static</b> [<i>updated</i>]</li> </ul> <p><b>Example:</b></p> <pre>Device# show ipv6 static 2001:0DB8::/32 interface gigabitethernet2/0/1</pre> <p>or</p> <pre>Device# show ipv6 route static</pre>	<p>Verifies your entries by displaying the contents of the IPv6 routing table.</p> <ul style="list-style-type: none"> <li>• <b>interface</b> <i>interface-id</i>—(Optional) Displays only those static routes with the specified interface as an egress interface.</li> <li>• <b>recursive</b>—(Optional) Displays only recursive static routes. The <b>recursive</b> keyword is mutually exclusive with the <b>interface</b> keyword, but it can be used with or without the IPv6 prefix included in the command syntax.</li> <li>• <b>detail</b>—(Optional) Displays this additional information:</li> </ul>

	Command or Action	Purpose
		<ul style="list-style-type: none"> <li>• For valid recursive routes, the output path set, and maximum resolution depth.</li> <li>• For invalid routes, the reason why the route is not valid.</li> </ul>
<b>Step 6</b>	<b>copy running-config startup-config</b>  <b>Example:</b> Device# <b>copy running-config startup-config</b>	(Optional) Saves your entries in the configuration file.

## Enabling IPv6 PBR on an Interface

To enable PBR for IPv6, you must create a route map that specifies the packet match criteria and desired policy-route action. Then you associate the route map on the required interface. All packets arriving on the specified interface that match the match clauses will be subject to PBR.

In PBR, the **set vrf** command decouples the virtual routing and forwarding (VRF) instance and interface association and allows the selection of a VRF based on access control list (ACL)-based classification using existing PBR or route-map configurations. It provides a single router with multiple routing tables and the ability to select routes based on ACL classification. The router classifies packets based on ACL, selects a routing table, looks up the destination address, and then routes the packet.

To enable PBR for IPv6, perform this procedure:

### Procedure

	Command or Action	Purpose
<b>Step 1</b>	<b>enable</b>  <b>Example:</b> Device> <b>enable</b>	Enables privileged EXEC mode. Enter your password if prompted.
<b>Step 2</b>	<b>configure terminal</b>  <b>Example:</b> Device# <b>configure terminal</b>	Enters global configuration mode.
<b>Step 3</b>	<b>route-map map-tag [permit   deny]</b> <b>[sequence-number]</b>  <b>Example:</b> Device(config)# <b>route-map rip-to-ospf permit</b>	Defines the conditions for redistributing routes from one routing protocol into another, or enables policy routing, and enters route-map configuration mode.
<b>Step 4</b>	Do one of the following: <ul style="list-style-type: none"> <li>• <b>match length</b> <i>minimum-length</i> <i>maximum-length</i></li> </ul>	Specifies the match criteria. <ul style="list-style-type: none"> <li>• You can specify any or all of the following:</li> </ul>

	Command or Action	Purpose
	<ul style="list-style-type: none"> <li>• <b>match ipv6 address</b> {<i>prefix-list prefix-list-name</i>   <i>access-list-name</i>}</li> </ul> <p><b>Example:</b></p> <pre>Device(config-route-map) # match length 3 200</pre> <p><b>Example:</b></p> <pre>Device(config-route-map) # match ipv6 address marketing</pre>	<ul style="list-style-type: none"> <li>• Matches the Level 3 length of the packet.</li> <li>• Matches a specified IPv6 access list.</li> <li>• If you do not specify a <b>match</b> command, the route map applies to all packets.</li> </ul>
<b>Step 5</b>	<p>Do one of the following:</p> <ul style="list-style-type: none"> <li>• <b>set ipv6 next-hop</b> <i>global-ipv6-address</i> [<i>global-ipv6-address...</i>]</li> <li>• <b>set ipv6 default next-hop</b> <i>global-ipv6-address</i> [<i>global-ipv6-address...</i>]</li> </ul> <p><b>Example:</b></p> <pre>Device(config-route-map) # set ipv6 next-hop 2001:DB8:2003:1::95</pre> <p><b>Example:</b></p> <pre>Device(config-route-map) # set ipv6 default next-hop 2001:DB8:2003:1::95</pre>	<p>Specifies the action or actions to take on the packets that match the criteria.</p> <ul style="list-style-type: none"> <li>• You can specify any or all of the following: <ul style="list-style-type: none"> <li>• Sets next hop to which to route the packet (the next hop must be adjacent).</li> <li>• Sets next hop to which to route the packet, if there is no explicit route for this destination.</li> </ul> </li> </ul>
<b>Step 6</b>	<p><b>exit</b></p> <p><b>Example:</b></p> <pre>Device(config-route-map) # exit</pre>	<p>Exits route-map configuration mode and returns to global configuration mode.</p>
<b>Step 7</b>	<p><b>interface</b> <i>type number</i></p> <p><b>Example:</b></p> <pre>Device(config) # interface FastEthernet 1/0</pre>	<p>Specifies an interface type and number, and places the router in interface configuration mode.</p>
<b>Step 8</b>	<p><b>ipv6 policy route-map</b> <i>route-map-name</i></p> <p><b>Example:</b></p> <pre>Device(config-if) # ipv6 policy-route-map interactive</pre>	<p>Identifies a route map to use for IPv6 PBR on an interface.</p>
<b>Step 9</b>	<p><b>end</b></p> <p><b>Example:</b></p> <pre>Device(config-if) # end</pre>	<p>Exits interface configuration mode and returns to privileged EXEC mode.</p>

## Enabling Local PBR for IPv6

Packets that are generated by the device are not normally policy routed. Perform this task to enable local IPv6 policy-based routing (PBR) for such packets, indicating which route map the device should use.

To enable Local PBR for IPv6, perform this procedure:

### Procedure

	Command or Action	Purpose
<b>Step 1</b>	<b>enable</b> <b>Example:</b> Device> <b>enable</b>	Enables privileged EXEC mode. Enter your password if prompted.
<b>Step 2</b>	<b>configure terminal</b> <b>Example:</b> Device# <b>configure terminal</b>	Enters global configuration mode.
<b>Step 3</b>	<b>ipv6 local policy route-map</b> <i>route-map-name</i> <b>Example:</b> Device(config)# <b>ipv6 local policy route-map pbr-src-90</b>	Configures IPv6 PBR for packets generated by the device.
<b>Step 4</b>	<b>end</b> <b>Example:</b> Device(config)# <b>end</b>	Returns to privileged EXEC mode.

## Displaying IPv6

For complete syntax and usage information on these commands, see the Cisco IOS command reference publications.

**Table 8: Command for Monitoring IPv6**

Command	Purpose
<b>show ipv6 access-list</b>	Displays a summary of access lists.
<b>show ipv6 cef</b>	Displays Cisco Express Forwarding for IPv6.
<b>show ipv6 interface</b> <i>interface-id</i>	Displays IPv6 interface status and configuration.
<b>show ipv6 mtu</b>	Displays IPv6 MTU per destination cache.
<b>show ipv6 neighbors</b>	Displays IPv6 neighbor cache entries.
<b>show ipv6 prefix-list</b>	Displays a list of IPv6 prefix lists.
<b>show ipv6 protocols</b>	Displays a list of IPv6 routing protocols on the switch.
<b>show ipv6 rip</b>	Displays IPv6 RIP routing protocol status.
<b>show ipv6 route</b>	Displays IPv6 route table entries.
<b>show ipv6 static</b>	Displays IPv6 static routes.

Command	Purpose
<code>show ipv6 traffic</code>	Displays IPv6 traffic statistics.

## Configuration Examples for IPv6 Unicast Routing

The following sections shows the various configuration examples available for IPv6 Unicast Routing

### Example: Configuring IPv4 and IPv6 Protocol Stacks

This example shows how to enable IPv4 and IPv6 routing on an interface.

```
Device> enable
Device# configure terminal
Device(config)# ip routing
Device(config)# ipv6 unicast-routing
Device(config)# interface fastethernet1/0/11
Device(config-if)# no switchport
Device(config-if)# ip address 192.168.99.1 255.255.255.0
Device(config-if)# ipv6 address 2001:0DB8:c18:1::/64 eui 64
Device(config-if)# end
```

### Example: Configuring RDNSS

The following example shows how to configure Recursive DNS Server list on Ethernet 3/3 and verify the same.

```
Device> enable
Device# configure terminal
Device(config)# interface ethernet 3/3
Device(config-if)# ipv6 nd ra dns server 1::1 1000 sequence 0
Device(config-if)# ipv6 nd ra dns server 2::1 infinite sequence 1
Device(config-if)# exit

Device(config)# show ipv6 nd ra dns server

Recursive DNS Server List on: mgmt0
Suppress DNS Server List: No
Recursive DNS Server List on: Ethernet3/3
  Suppress DNS Server List: No
  DNS Server 1: 1::1 Lifetime:1000 seconds Sequence:0
  DNS Server 2: 2::1 Infinite Sequence:1
```

### Example: Configuring DNSSL

The following example shows how to configure DNS Search list on Ethernet 3/3 and verify the same.

```
Device> enable
Device# configure terminal
Device(config)# interface ethernet 3/3
Device(config-if)# ipv6 nd ra dns search-list cisco.com 100 sequence 1
Device(config-if)# ipv6 nd ra dns search-list ind.cisco.com 100 sequence 2
Device(config-if)# exit
```

**Example: Configuring Default Router Preference**

```
Device(config)# show ipv6 nd ra dns search-list

DNS Search List on: mgmt0
Suppress DNS Search List: No
DNS Search List on: Ethernet3/3
Suppress DNS Search List: No
DNS Server 1:cisco.com 100 Sequence:1
DNS Server 2:ind.cisco.com 100 Sequence:2
```

## Example: Configuring Default Router Preference

This example shows how to configure a DRP of *high* for the router on an interface.

```
Device> enable
Device# configure terminal
Device(config)# interface gigabitEthernet1/0/1
Device(config-if)# ipv6 nd router-preference high
Device(config-if)# end
```

## Example: Configuring IPv6 ICMP Rate Limiting

This example shows how to configure an IPv6 ICMP error message interval of 50 milliseconds and a bucket size of 20 tokens.

```
Device> enable
Device# configure terminal
Device(config)# ipv6 icmp error-interval 50 20
```

## Example: Configuring Static Routing for IPv6

This example shows how to configure a floating static route to an interface with an administrative distance of 130:

```
Device> enable
Device# configure terminal
Device(config)# ipv6 route 2001:0DB8::/32 gigabitEthernet 0/1 130
```

## Example: Enabling PBR on an Interface

In the following example, a route map named `pbr-dest-1` is created and configured, specifying packet match criteria and desired policy-route action. PBR is then enabled on GigabitEthernet interface 0/0/1.

```
Device> enable
Device# configure terminal
Device(config)# ipv6 access-list match-dest-1
Device(config)# permit ipv6 any 2001:DB8:2001:1760::/32
Device(config)# route-map pbr-dest-1 permit 10
Device(config)# match ipv6 address match-dest-1
Device(config)# set interface GigabitEthernet 0/0/0
Device(config)# interface GigabitEthernet0/0/1
Device(config-if)# ipv6 policy-route-map interactive
```



## Example: Enabling Local PBR for IPv6

In the following example, packets with a destination IPv6 address that match the IPv6 address range allowed by access list pbr-src-90 are sent to the device at IPv6 address 2001:DB8:2003:1::95:

```
Device> enable
Device# configure terminal
Device(config)# ipv6 access-list src-90
Device(config)# permit ipv6 host 2001:DB8:2003::90 2001:DB8:2001:1000::/64
Device(config)# route-map pbr-src-90 permit 10
Device(config)# match ipv6 address src-90
Device(config)# set ipv6 next-hop 2001:DB8:2003:1::95
Device(config)# ipv6 local policy route-map pbr-src-90
```

## Example: Displaying IPv6

This is an example of the output from the **show ipv6 interface** command:

```
Device> enable
Device# show ipv6 interface
Vlan1 is up, line protocol is up
  IPv6 is enabled, link-local address is FE80::20B:46FF:FE2F:D940
  Global unicast address(es):
    3FFE:C000:0:1:20B:46FF:FE2F:D940, subnet is 3FFE:C000:0:1::/64 [EUI]
  Joined group address(es):
    FF02::1
    FF02::2
    FF02::1:FF2F:D940
  MTU is 1500 bytes
  ICMP error messages limited to one every 100 milliseconds
  ICMP redirects are enabled
  ND DAD is enabled, number of DAD attempts: 1
  ND reachable time is 30000 milliseconds
  ND advertised reachable time is 0 milliseconds
  ND advertised retransmit interval is 0 milliseconds
  ND router advertisements are sent every 200 seconds
  ND router advertisements live for 1800 seconds
<output truncated>
```

## Additional References

### Standards and RFCs

Standard/RFC	Title
<a href="#">RFC 5453</a>	<i>Reserved IPv6 Interface Identifiers</i>
<a href="#">RFC 4292</a>	<i>IP Forwarding Table</i>
<a href="#">RFC 4293</a>	<i>Management Information Base for the Internet Protocol (IP)</i>

## Feature History for IPv6 Unicast Routing

This table provides release and related information for the features explained in this module.

These features are available in all the releases subsequent to the one they were introduced in, unless noted otherwise.

Release	Feature	Feature Information
Cisco IOS XE Everest 16.5.1a	IPv6 Unicast Routing	IPv4 users can move to IPv6 and receive services such as end-to-end security, quality of service (QoS), and globally unique addresses.
Cisco IOS XE Fuji 16.8.1a	IPv6 Unicast Routing	Support for this feature was introduced only on the C9500-32C, C9500-32QC, C9500-48Y4C, and C9500-24Y4C models of the Cisco Catalyst 9500 Series Switches.
Cisco IOS XE Gibraltar 16.11.1	RFC 5453	Support for RFC 5453 was introduced.
	RFC 4292	Support for RFC 4292 was introduced.
	RFC 4293	Support for RFC 4293 was introduced.
	IPv6 Router Advertisement Options for DNS Configuration	IPv6 Router Advertisement provides options to allow IPv6 hosts to perform automatic DNS configuration.
Cisco IOS XE Cupertino 17.7.1	IPv6 Unicast Routing	Support for this feature was introduced on the C9500X-28C8D model of the Cisco Catalyst 9500 Series Switches.

Use the Cisco Feature Navigator to find information about platform and software image support. To access Cisco Feature Navigator, go to <http://www.cisco.com/go/cfn>.



## CHAPTER 7

# Configuring RIP

- [Information About RIP, on page 121](#)
- [How to Configure Routing Information Protocol, on page 122](#)
- [Configuration Examples for Routing Information Protocol, on page 131](#)
- [Feature History for Routing Information Protocol, on page 132](#)

## Information About RIP

The Routing Information Protocol (RIP) is an interior gateway protocol (IGP) created for use in small, homogeneous networks. It is a distance-vector routing protocol that uses broadcast User Datagram Protocol (UDP) data packets to exchange routing information. The protocol is documented in RFC 1058. You can find detailed information about RIP in *IP Routing Fundamentals*, published by Cisco Press.



---

**Note** RIP is supported in the Network Essentials feature set.

---

Using RIP, the switch sends routing information updates (advertisements) every 30 seconds. If a router does not receive an update from another router for 180 seconds or more, it marks the routes served by that router as unusable. If there is still no update after 240 seconds, the router removes all routing table entries for the non-updating router.

RIP uses hop counts to rate the value of different routes. The hop count is the number of routers that can be traversed in a route. A directly connected network has a hop count of zero; a network with a hop count of 16 is unreachable. This small range (0 to 15) makes RIP unsuitable for large networks.

If the router has a default network path, RIP advertises a route that links the router to the pseudonetwork 0.0.0.0. The 0.0.0.0 network does not exist; it is treated by RIP as a network to implement the default routing feature. The switch advertises the default network if a default was learned by RIP or if the router has a gateway of last resort and RIP is configured with a default metric. RIP sends updates to the interfaces in specified networks. If an interface's network is not specified, it is not advertised in any RIP update.

## RIP for IPv6

Routing Information Protocol (RIP) for IPv6 is a distance-vector protocol that uses hop count as a routing metric. It includes support for IPv6 addresses and prefixes and the all-RIP-routers multicast group address FF02::9 as the destination address for RIP update messages.

For configuring RIP for IPv6, see the *Configuring RIP for IPv6* section.

For more information about RIP for IPv6, see the “Implementing RIP for IPv6” chapter in the *Cisco IOS IPv6 Configuration Library* on Cisco.com.

## Summary Addresses and Split Horizon

Routers connected to broadcast-type IP networks and using distance-vector routing protocols normally use the split-horizon mechanism to reduce the possibility of routing loops. Split horizon blocks information about routes from being advertised by a router on any interface from which that information originated. This feature usually optimizes communication among multiple routers, especially when links are broken.

## How to Configure Routing Information Protocol

The following sections provide configurational information about RIP.

### Default RIP Configuration

*Table 9: Default RIP Configuration*

Feature	Default Setting
Auto summary	Enabled.
Default-information originate	Disabled.
Default metric	Built-in; automatic metric translations.
IP RIP authentication key-chain	No authentication. Authentication mode: clear text.
IP RIP triggered	Disabled
IP split horizon	Varies with media.
Neighbor	None defined.
Network	None specified.
Offset list	Disabled.
Output delay	0 milliseconds.
Timers basic	<ul style="list-style-type: none"> <li>• Update: 30 seconds.</li> <li>• Invalid: 180 seconds.</li> <li>• Hold-down: 180 seconds.</li> <li>• Flush: 240 seconds.</li> </ul>

Feature	Default Setting
Validate-update-source	Enabled.
Version	Receives RIP Version 1 and 2 packets; sends Version 1 packets.

## Configuring Basic RIP Parameters

To configure RIP, you enable RIP routing for a network and optionally configure other parameters. On the switch, RIP configuration commands are ignored until you configure the network number.

### Procedure

	Command or Action	Purpose
<b>Step 1</b>	<b>enable</b> <b>Example:</b> Device> <b>enable</b>	Enables privileged EXEC mode. <ul style="list-style-type: none"><li>• Enter your password, if prompted.</li></ul>
<b>Step 2</b>	<b>configure terminal</b> <b>Example:</b> Device# <b>configure terminal</b>	Enters global configuration mode.
<b>Step 3</b>	<b>ip routing</b> <b>Example:</b> Device(config)# <b>ip routing</b>	Enables IP routing. (Required only if IP routing is disabled.)
<b>Step 4</b>	<b>router rip</b> <b>Example:</b> Device(config)# <b>router rip</b>	Enables a RIP routing process, and enter router configuration mode.
<b>Step 5</b>	<b>network <i>network number</i></b> <b>Example:</b> Device(config-router)# <b>network 12.0.0.0</b>	Associates a network with a RIP routing process. You can specify multiple <b>network</b> commands. RIP routing updates are sent and received through interfaces only on these networks.  <b>Note</b> You must configure a network number for the RIP commands to take effect.
<b>Step 6</b>	<b>neighbor <i>ip-address</i></b> <b>Example:</b>	(Optional) Defines a neighboring router with which to exchange routing information. This step allows routing updates from RIP

	Command or Action	Purpose
	Device (config-router) # <b>neighbor 10.2.5.1</b>	(normally a broadcast protocol) to reach nonbroadcast networks.
<b>Step 7</b>	<b>offset-list</b> [ <i>access-list number</i>   <i>name</i> ] { <b>in</b>   <b>out</b> } <i>offset</i> [ <i>type number</i> ] <b>Example:</b> Device (config-router) # <b>offset-list 103 in 10</b>	(Optional) Applies an offset list to routing metrics to increase incoming and outgoing metrics to routes learned through RIP. You can limit the offset list with an access list or an interface.
<b>Step 8</b>	<b>timers basic</b> <i>update invalid holddown flush</i> <b>Example:</b> Device (config-router) # <b>timers basic 45 360 400 300</b>	(Optional) Adjusts routing protocol timers. Valid ranges for all timers are 0 to 4294967295 seconds. <ul style="list-style-type: none"> <li>• <i>update</i>—The time between sending routing updates. The default is 30 seconds.</li> <li>• <i>invalid</i>—The timer after which a route is declared invalid. The default is 180 seconds.</li> <li>• <i>holddown</i>—The time before a route is removed from the routing table. The default is 180 seconds.</li> <li>• <i>flush</i>—The amount of time for which routing updates are postponed. The default is 240 seconds.</li> </ul>
<b>Step 9</b>	<b>version</b> { <b>1</b>   <b>2</b> } <b>Example:</b> Device (config-router) # <b>version 2</b>	(Optional) Configures the switch to receive and send only RIP Version 1 or RIP Version 2 packets. By default, the switch receives Version 1 and 2 but sends only Version 1. You can also use the interface commands <b>ip rip {send   receive} version 1   2   1 2</b> to control what versions are used for sending and receiving on interfaces.
<b>Step 10</b>	<b>no auto summary</b> <b>Example:</b> Device (config-router) # <b>no auto summary</b>	(Optional) Disables automatic summarization. By default, the switch summarizes subprefixes when crossing classful network boundaries. Disable summarization (RIP Version 2 only) to advertise subnet and host routing information to classful network boundaries.
<b>Step 11</b>	<b>output-delay</b> <i>delay</i> <b>Example:</b> Device (config-router) # <b>output-delay 8</b>	(Optional) Adds interpacket delay for RIP updates sent. By default, packets in a multiple-packet RIP update have no delay added between packets. If you are sending packets to a lower-speed device, you can add

	Command or Action	Purpose
		an interpacket delay in the range of 8 to 50 milliseconds.
<b>Step 12</b>	<b>end</b> <b>Example:</b> Device(config-router)# <b>end</b>	Returns to privileged EXEC mode.
<b>Step 13</b>	<b>show ip protocols</b> <b>Example:</b> Device# <b>show ip protocols</b>	Verifies your entries.
<b>Step 14</b>	<b>copy running-config startup-config</b> <b>Example:</b> Device# <b>copy running-config startup-config</b>	(Optional) Saves your entries in the configuration file.

## Configuring RIP Authentication

RIP Version 1 does not support authentication. If you are sending and receiving RIP Version 2 packets, you can enable RIP authentication on an interface. The key chain specifies the set of keys that can be used on the interface. If a key chain is not configured, no authentication is performed, not even the default.

The switch supports two modes of authentication on interfaces for which RIP authentication is enabled: plain text and MD5. The default is plain text.

### Procedure

	Command or Action	Purpose
<b>Step 1</b>	<b>enable</b> <b>Example:</b> Device> <b>enable</b>	Enables privileged EXEC mode. <ul style="list-style-type: none"> <li>• Enter your password if prompted.</li> </ul>
<b>Step 2</b>	<b>configure terminal</b> <b>Example:</b> Device# <b>configure terminal</b>	Enters global configuration mode.
<b>Step 3</b>	<b>interface interface-id</b> <b>Example:</b>	Enters interface configuration mode, and specifies the interface to configure.

	Command or Action	Purpose
	Device(config)# <b>interface</b> gigabitethernet 1/0/1	
<b>Step 4</b>	<b>ip rip authentication key-chain</b> <i>name-of-chain</i> <b>Example:</b> Device(config-if)# <b>ip rip authentication</b> <b>key-chain trees</b>	Enables RIP authentication.
<b>Step 5</b>	<b>ip rip authentication mode</b> {text   md5} <b>Example:</b> Device(config-if)# <b>ip rip authentication</b> <b>mode md5</b>	Configures the interface to use plain text authentication (the default) or MD5 digest authentication.
<b>Step 6</b>	<b>end</b> <b>Example:</b> Device(config)# <b>end</b>	Returns to privileged EXEC mode.
<b>Step 7</b>	<b>show running-config</b> <b>Example:</b> Device# <b>show running-config</b>	Verifies your entries.
<b>Step 8</b>	<b>copy running-config startup-config</b> <b>Example:</b> Device# <b>copy running-config</b> <b>startup-config</b>	(Optional) Saves your entries in the configuration file.

## Configuring RIP for IPv6

For more information about configuring RIP routing for IPv6, see the “Implementing RIP for IPv6” chapter in the *Cisco IOS IPv6 Configuration Library* on Cisco.com,

To configure RIP routing for IPv6, perform this procedure:

### Before you begin

Before configuring the switch to run IPv6 RIP, you must enable routing by using the **ip routing** command in global configuration mode, enable the forwarding of IPv6 packets by using the **ipv6 unicast-routing** command in global configuration mode, and enable IPv6 on any Layer 3 interfaces on which IPv6 RIP is to be enabled.



## Procedure

	Command or Action	Purpose
<b>Step 1</b>	<b>enable</b> <b>Example:</b> Device> <b>enable</b>	Enables privileged EXEC mode. Enter your password if prompted.
<b>Step 2</b>	<b>configure terminal</b> <b>Example:</b> Device# <b>configure terminal</b>	Enters global configuration mode.
<b>Step 3</b>	<b>ipv6 router rip name</b> <b>Example:</b> Device(config)# <b>ipv6 router rip cisco</b>	Configures an IPv6 RIP routing process, and enters router configuration mode for the process.
<b>Step 4</b>	<b>maximum-paths number-paths</b> <b>Example:</b> Device(config-router)# <b>maximum-paths 6</b>	(Optional) Define the maximum number of equal-cost routes that IPv6 RIP can support. The range is from 1 to 32, and the default is 16 routes.
<b>Step 5</b>	<b>exit</b> <b>Example:</b> Device(config-router)# <b>exit</b>	Returns to global configuration mode.
<b>Step 6</b>	<b>interface interface-id</b> <b>Example:</b> Device(config)# <b>interface gigabitethernet 1/0/1</b>	Enters interface configuration mode, and specifies the Layer 3 interface to configure.
<b>Step 7</b>	<b>ipv6 rip name enable</b> <b>Example:</b> Device(config-if)# <b>ipv6 rip cisco enable</b>	Enables the specified IPv6 RIP routing process on the interface.
<b>Step 8</b>	<b>ipv6 rip name default-information {only   originate}</b> <b>Example:</b> Device(config-if)# <b>ipv6 rip cisco default-information only</b>	(Optional) Originates the IPv6 default route (::/0) into the RIP routing process updates sent from the specified interface.  <b>Note</b> To avoid routing loops after the IPv6 default route (::/0) is originated from any interface, the routing process ignores all default routes received on any interface.  • <b>only</b> —Select to originate the default route, but suppress all other routes in the updates sent on this interface.

	Command or Action	Purpose
		<ul style="list-style-type: none"> <li>• <b>originate</b>—Select to originate the default route in addition to all other routes in the updates sent on this interface.</li> </ul>
<b>Step 9</b>	<b>end</b> <b>Example:</b> Device (config) # <b>end</b>	Returns to privileged EXEC mode.
<b>Step 10</b>	Use one of the following: <ul style="list-style-type: none"> <li>• <b>show ipv6 rip</b> [<i>name</i>] [ <b>interface interface-id</b>] [ <b>database</b> ] [ <b>next-hops</b> ]</li> <li>• <b>show ipv6 rip</b></li> </ul> <b>Example:</b> Device# <b>show ipv6 rip cisco interface gigabitethernet 2/0/1</b> or Device# <b>show ipv6 rip</b>	<ul style="list-style-type: none"> <li>• Displays information about current IPv6 RIP processes.</li> <li>• Displays the current contents of the IPv6 routing table.</li> </ul>
<b>Step 11</b>	<b>copy running-config startup-config</b> <b>Example:</b> Device# <b>copy running-config startup-config</b>	(Optional) Saves your entries in the configuration file.

## Configuring Summary Addresses and Split Horizon



**Note** In general, disabling split horizon is not recommended unless you are certain that your application requires it to properly advertise routes.

If you want to configure an interface running RIP to advertise a summarized local IP address pool on a network access server for dial-up clients, use the **ip summary-address rip** interface configuration command.



**Note** If split horizon is enabled, neither autosummary nor interface IP summary addresses are advertised.

### Procedure

	Command or Action	Purpose
<b>Step 1</b>	<b>enable</b> <b>Example:</b>	Enables privileged EXEC mode. <ul style="list-style-type: none"> <li>• Enter your password if prompted.</li> </ul>

	Command or Action	Purpose
	Device> <b>enable</b>	
<b>Step 2</b>	<b>configure terminal</b> <b>Example:</b> Device# <b>configure terminal</b>	Enters global configuration mode.
<b>Step 3</b>	<b>interface <i>interface-id</i></b> <b>Example:</b> Device(config)# <b>interface gigabitethernet 1/0/1</b>	Enters interface configuration mode, and specifies the Layer 3 interface to configure.
<b>Step 4</b>	<b>ip address <i>ip-address subnet-mask</i></b> <b>Example:</b> Device(config-if)# <b>ip address 10.1.1.10 255.255.255.0</b>	Configures the IP address and IP subnet.
<b>Step 5</b>	<b>ip summary-address rip ip address <i>ip-network mask</i></b> <b>Example:</b> Device(config-if)# <b>ip summary-address rip ip address 10.1.1.30 255.255.255.0</b>	Configures the IP address to be summarized and the IP network mask.
<b>Step 6</b>	<b>no ip split horizon</b> <b>Example:</b> Device(config-if)# <b>no ip split horizon</b>	Disables split horizon on the interface.
<b>Step 7</b>	<b>end</b> <b>Example:</b> Device(config)# <b>end</b>	Returns to privileged EXEC mode.
<b>Step 8</b>	<b>show ip interface <i>interface-id</i></b> <b>Example:</b> Device# <b>show ip interface gigabitethernet 1/0/1</b>	Verifies your entries.
<b>Step 9</b>	<b>copy running-config startup-config</b> <b>Example:</b>	(Optional) Saves your entries in the configuration file.

	Command or Action	Purpose
	Device# <code>copy running-config startup-config</code>	

## Configuring Split Horizon

Routers connected to broadcast-type IP networks and using distance-vector routing protocols normally use the split-horizon mechanism to reduce the possibility of routing loops. Split horizon blocks information about routes from being advertised by a router on any interface from which that information originated. This feature can optimize communication among multiple routers, especially when links are broken.



**Note** In general, we do not recommend disabling split horizon unless you are certain that your application requires it to properly advertise routes.

### Procedure

	Command or Action	Purpose
<b>Step 1</b>	<b>enable</b> <b>Example:</b> Device> <code>enable</code>	Enables privileged EXEC mode. Enter your password if prompted.
<b>Step 2</b>	<b>configure terminal</b> <b>Example:</b> Device# <code>configure terminal</code>	Enters global configuration mode.
<b>Step 3</b>	<b>interface <i>interface-id</i></b> <b>Example:</b> Device(config)# <code>interface gigabitethernet 1/0/1</code>	Enters interface configuration mode, and specifies the interface to configure.
<b>Step 4</b>	<b>ip address <i>ip-address subnet-mask</i></b> <b>Example:</b> Device(config-if)# <code>ip address 10.1.1.10 255.255.255.0</code>	Configures the IP address and IP subnet.
<b>Step 5</b>	<b>no ip split-horizon</b> <b>Example:</b>	Disables split horizon on the interface.

	Command or Action	Purpose
	<code>Device(config-if)# no ip split-horizon</code>	
<b>Step 6</b>	<b>end</b> <b>Example:</b> <code>Device(config)# end</code>	Returns to privileged EXEC mode.
<b>Step 7</b>	<b>show ip interface <i>interface-id</i></b> <b>Example:</b> <code>Device# show ip interface gigabitethernet 1/0/1</code>	Verifies your entries.
<b>Step 8</b>	<b>copy running-config startup-config</b> <b>Example:</b> <code>Device# copy running-config startup-config</code>	(Optional) Saves your entries in the configuration file.

## Configuration Examples for Routing Information Protocol

The following sections provide configuration examples for RIP.

### Configuration Example for Summary Addresses and Split Horizon

In this example, the major net is 10.0.0.0. The summary address 10.2.0.0 overrides the autosummary address of 10.0.0.0 so that 10.2.0.0 is advertised out interface Gigabit Ethernet port 2, and 10.0.0.0 is not advertised. In the example, if the interface is still in Layer 2 mode (the default), you must enter a **no switchport** interface configuration command before entering the **ip address** interface configuration command.



**Note** If split horizon is enabled, neither autosummary nor interface summary addresses (those configured with the **ip summary-address rip** router configuration command) are advertised.

```
Device(config)# router rip
Device(config-router)# interface gigabitethernet1/0/2
Device(config-if)# ip address 10.1.5.1 255.255.255.0
Device(config-if)# ip summary-address rip 10.2.0.0 255.255.0.0
Device(config-if)# no ip split-horizon
Device(config-if)# exit
Device(config)# router rip
Device(config-router)# network 10.0.0.0
Device(config-router)# neighbor 2.2.2.2 peer-group mygroup
Device(config-router)# end
```

## Example: Configuring RIP for IPv6

This example shows how to enable the RIP routing process *cisco* with a maximum of eight equal-cost routes and to enable it on an interface:

```
Device> enable
Device# configure terminal
Device(config)# ipv6 router rip cisco
Device(config-router)# maximum-paths 8
Device(config)# exit
Device(config)# interface gigabitethernet2/0/11
Device(config-if)# ipv6 rip cisco enable
```

## Feature History for Routing Information Protocol

This table provides release and related information for the features explained in this module.

These features are available in all the releases subsequent to the one they were introduced in, unless noted otherwise.

Release	Feature	Feature Information
Cisco IOS XE Everest 16.5.1a	Routing Information Protocol	The Routing Information Protocol is an interior gateway protocol (IGP) created for use in small and homogeneous networks.  Support for this feature was introduced only on the C9500-12Q, C9500-16X, C9500-24Q, C9500-40X models of the Cisco Catalyst 9500 Series Switches.
Cisco IOS XE Fuji 16.8.1a	Routing Information Protocol	Support for this feature was introduced only on the C9500-32C, C9500-32QC, C9500-48Y4C, and C9500-24Y4C models of the Cisco Catalyst 9500 Series Switches.
Cisco IOS XE Cupertino 17.7.1	Routing Information Protocol	Support for this feature was introduced on the C9500X-28C8D model of the Cisco Catalyst 9500 Series Switches.

Use the Cisco Feature Navigator to find information about platform and software image support. To access Cisco Feature Navigator, go to <http://www.cisco.com/go/cfn>.



## CHAPTER 8

# Configuring OSPF

- [Information About OSPF, on page 133](#)
- [How to Configure OSPF, on page 136](#)
- [Monitoring OSPF, on page 150](#)
- [Configuration Examples for OSPF, on page 151](#)
- [Configuration Examples for OSPF, on page 151](#)
- [Example: Configuring Basic OSPF Parameters, on page 151](#)
- [Feature History for Open Shortest Path First, on page 151](#)

## Information About OSPF

OSPF is an Interior Gateway Protocol (IGP) designed expressly for IP networks, supporting IP subnetting and tagging of externally derived routing information. OSPF also allows packet authentication and uses IP multicast when sending and receiving packets. The Cisco implementation supports RFC 1253, OSPF management information base (MIB).

The Cisco implementation conforms to the OSPF Version 2 specifications with these key features:

- Definition of stub areas is supported.
- Routes learned through any IP routing protocol can be redistributed into another IP routing protocol. At the intradomain level, this means that OSPF can import routes learned through EIGRP and RIP. OSPF routes can also be exported into RIP.
- Plain text and MD5 authentication among neighboring routers within an area is supported.
- Configurable routing interface parameters include interface output cost, retransmission interval, interface transmit delay, router priority, router dead and hello intervals, and authentication key.
- Virtual links are supported.
- Not-so-stubby-areas (NSSAs) per RFC 1587 are supported.

OSPF typically requires coordination among many internal routers, area border routers (ABRs) connected to multiple areas, and autonomous system boundary routers (ASBRs). The minimum configuration would use all default parameter values, no authentication, and interfaces assigned to areas. If you customize your environment, you must ensure coordinated configuration of all routers.

## OSPF for IPv6

The switch supports Open Shortest Path First (OSPF) for IPv6, a link-state protocol for IP.

For configuring OSPF for IPv6, see the *Configuring OSPF for IPv6* section.

For more information, see *Cisco IOS IPv6 Configuration Library* on Cisco.com.

## OSPF Nonstop Forwarding

The switch or switch stack supports two levels of nonstop forwarding (NSF):

- [OSPF NSF Awareness, on page 134](#)
- [OSPF NSF Capability, on page 134](#)

### OSPF NSF Awareness

The Network Advantage license supports OSPF NSF Awareness for IPv4. When the neighboring router is NSF-capable, the Layer 3 device continues to forward packets from the neighboring router during the interval between the primary Route Processor (RP) in a router crashing and the backup RP taking over, or while the primary RP is manually reloaded for a non-disruptive software upgrade.

This feature cannot be disabled.

### OSPF NSF Capability

The Network Advantage license supports the OSPFv2 NSF IETF format in addition to the OSPFv2 NSF Cisco format that is supported in earlier releases. For information about this feature, see : *NSF—OSPF (RFC 3623 OSPF Graceful Restart)*.

The Network Advantage license also supports OSPF NSF-capable routing for IPv4 for better convergence and lower traffic loss following a stack's active switch change.



---

**Note** OSPF NSF requires that all neighbor networking devices be NSF-aware. If an NSF-capable router discovers non-NSF aware neighbors on a network segment, it disables NSF capabilities for that segment. Other network segments where all devices are NSF-aware or NSF-capable continue to provide NSF capabilities.

---

Use the **nsf** OSPF routing configuration command to enable OSPF NSF routing. Use the **show ip ospf** privileged EXEC command to verify that it is enabled.

## OSPF Area Parameters

You can optionally configure several OSPF area parameters. These parameters include authentication for password-based protection against unauthorized access to an area, stub areas, and not-so-stubby-areas (NSSAs). Stub areas are areas into which information on external routes is not sent. Instead, the area border router (ABR) generates a default external route into the stub area for destinations outside the autonomous system (AS). An NSSA does not flood all LSAs from the core into the area, but can import AS external routes within the area by redistribution.



Route summarization is the consolidation of advertised addresses into a single summary route to be advertised by other areas. If network numbers are contiguous, you can use the **area range** router configuration command to configure the ABR to advertise a summary route that covers all networks in the range.

## Other OSPF Parameters

You can optionally configure other OSPF parameters in router configuration mode.

- **Route summarization:** When redistributing routes from other protocols. Each route is advertised individually in an external LSA. To help decrease the size of the OSPF link state database, you can use the **summary-address** router configuration command to advertise a single router for all the redistributed routes included in a specified network address and mask.
- **Virtual links:** In OSPF, all areas must be connected to a backbone area. You can establish a virtual link in case of a backbone-continuity break by configuring two Area Border Routers as endpoints of a virtual link. Configuration information includes the identity of the other virtual endpoint (the other ABR) and the nonbackbone link that the two routers have in common (the transit area). Virtual links cannot be configured through a stub area.
- **Default route:** When you specifically configure redistribution of routes into an OSPF routing domain, the route automatically becomes an autonomous system boundary router (ASBR). You can force the ASBR to generate a default route into the OSPF routing domain.
- **Domain Name Server (DNS) names for use in all OSPF `show` privileged EXEC command displays** makes it easier to identify a router than displaying it by router ID or neighbor ID.
- **Default Metrics:** OSPF calculates the OSPF metric for an interface according to the bandwidth of the interface. The metric is calculated as  $ref\text{-}bw$  divided by bandwidth, where *ref* is 10 by default, and bandwidth (*bw*) is specified by the **bandwidth** interface configuration command. For multiple links with high bandwidth, you can specify a larger number to differentiate the cost on those links.
- **Administrative distance** is a rating of the trustworthiness of a routing information source, an integer between 0 and 255, with a higher value meaning a lower trust rating. An administrative distance of 255 means the routing information source cannot be trusted at all and should be ignored. OSPF uses three different administrative distances: routes within an area (interarea), routes to another area (interarea), and routes from another routing domain learned through redistribution (external). You can change any of the distance values.
- **Passive interfaces:** Because interfaces between two devices on an Ethernet represent only one network segment, to prevent OSPF from sending hello packets for the sending interface, you must configure the sending device to be a passive interface. Both devices can identify each other through the hello packet for the receiving interface.
- **Route calculation timers:** You can configure the delay time between when OSPF receives a topology change and when it starts the shortest path first (SPF) calculation and the hold time between two SPF calculations.
- **Log neighbor changes:** You can configure the router to send a syslog message when an OSPF neighbor state changes, providing a high-level view of changes in the router.

## LSA Group Pacing

The OSPF LSA group pacing feature allows the router to group OSPF LSAs and pace the refreshing, check-summing, and aging functions for more efficient router use. This feature is enabled by default with a 4-minute default pacing interval, and you will not usually need to modify this parameter. The optimum group pacing interval is inversely proportional to the number of LSAs the router is refreshing, check-summing, and aging. For example, if you have approximately 10,000 LSAs in the database, decreasing the pacing interval would benefit you. If you have a very small database (40 to 100 LSAs), increasing the pacing interval to 10 to 20 minutes might benefit you slightly.

## Loopback Interfaces

OSPF uses the highest IP address configured on the interfaces as its router ID. If this interface is down or removed, the OSPF process must recalculate a new router ID and resend all its routing information out its interfaces. If a loopback interface is configured with an IP address, OSPF uses this IP address as its router ID, even if other interfaces have higher IP addresses. Because loopback interfaces never fail, this provides greater stability. OSPF automatically prefers a loopback interface over other interfaces, and it chooses the highest IP address among all loopback interfaces.

## How to Configure OSPF

### Default OSPF Configuration

*Table 10: Default OSPF Configuration*

Feature	Default Setting
Interface parameters	Cost: Retransmit interval: 5 seconds. Transmit delay: 1 second. Priority: 1. Hello interval: 10 seconds. Dead interval: 4 times the hello interval. No authentication. No password specified. MD5 authentication disabled.
Area	Authentication type: 0 (no authentication). Default cost: 1. Range: Disabled. Stub: No stub area defined. NSSA: No NSSA area defined.

Feature	Default Setting
Auto cost	100 Mb/s.
Default-information originate	Disabled. When enabled, the default metric setting is 10, and the external route is Type 2.
Default metric	Built-in, automatic metric translation, as appropriate for each routing protocol.
Distance OSPF	dist1 (all routes within an area): 110. dist2 (all routes from one area to another): 110. dist3 (routes from other routing domains): 110.
OSPF database filter	Disabled. All outgoing link-state advertisements (LSAs) are flooded to the neighbor.
IP OSPF name lookup	Disabled.
Log adjacency changes	Enabled.
Neighbor	None specified.
Neighbor database filter	Disabled. All outgoing LSAs are flooded to the neighbor.
Network area	Disabled.
Nonstop Forwarding (NSF) awareness	Enabled. Allows Layer 3 switches to continue forwarding packets from a neighbor NSF-capable router during hardware or software changes.
Router ID	No OSPF routing process defined.
Summary address	Disabled.
Timers LSA group pacing	240 seconds.
Timers shortest path first (spf)	spf delay: 50 milliseconds; spf-holdtime: 200 milliseconds.
Virtual link	No area ID or router ID defined. Hello interval: 10 seconds. Retransmit interval: 5 seconds. Transmit delay: 1 second. Dead interval: 40 seconds. Authentication key: no key predefined. Message-digest key (MD5): no key predefined.

## Configuring Basic OSPF Parameters

To enable OSPF, create an OSPF routing process, specify the range of IP addresses to associate with the routing process, and assign area IDs to be associated with that range. For switches running the Network Essentials image, you can configure either the Cisco OSPFv2 NSF format or the IETF OSPFv2 NSF format.

## Procedure

	Command or Action	Purpose
<b>Step 1</b>	<b>enable</b> <b>Example:</b> Device>enable	Enables privileged EXEC mode. <ul style="list-style-type: none"> <li>• Enter your password if prompted.</li> </ul>
<b>Step 2</b>	<b>configure terminal</b> <b>Example:</b> Device#configure terminal	Enters global configuration mode.
<b>Step 3</b>	<b>router ospf process-id</b> <b>Example:</b> Device (config)#router ospf 15	Enables OSPF routing, and enter router configuration mode. The process ID is an internally used identification parameter that is locally assigned and can be any positive integer. Each OSPF routing process has a unique value. <p><b>Note</b> OSPF for Routed Access supports only one OSPFv2 and one OSPFv3 instance with a maximum number of 1000 dynamically learned routes.</p>
<b>Step 4</b>	<b>nsf cisco [enforce global]</b> <b>Example:</b> Device (config-router)#nsf cisco enforce global	(Optional) Enables Cisco NSF operations for OSPF. The <b>enforce global</b> keyword cancels NSF restart when non-NSF-aware neighboring networking devices are detected. <p><b>Note</b> Enter the command in Step 3 or Step 4, and go to Step 5.</p>
<b>Step 5</b>	<b>nsf ietf [restart-interval seconds]</b> <b>Example:</b> Device (config-router)#nsf ietf restart-interval 60	(Optional) Enables IETF NSF operations for OSPF. The <b>restart-interval</b> keyword specifies the length of the graceful restart interval, in seconds. The range is from 1 to 1800. The default is 120. <p><b>Note</b> Enter the command in Step 3 or Step 4, and go to Step 5.</p>
<b>Step 6</b>	<b>network address wildcard-mask area area-id</b> <b>Example:</b> Device (config-router)#network 10.1.1.1 255.240.0.0 area 20	Define an interface on which OSPF runs and the area ID for that interface. You can use the wildcard-mask to use a single command to define one or more multiple interfaces to be associated with a specific OSPF area. The area ID can be a decimal value or an IP address.

	Command or Action	Purpose
<b>Step 7</b>	<b>end</b> <b>Example:</b>  Device(config-router) # <b>end</b>	Returns to privileged EXEC mode.
<b>Step 8</b>	<b>show ip protocols</b> <b>Example:</b>  Device# <b>show ip protocols</b>	Verifies your entries.
<b>Step 9</b>	<b>copy running-config startup-config</b> <b>Example:</b>  Device# <b>copy running-config startup-config</b>	(Optional) Saves your entries in the configuration file.

## Configuring OSPF for IPv6

For more information about configuring OSPF routing for IPv6, see the “Implementing OSPF for IPv6” chapter in the *Cisco IOS IPv6 Configuration Library* on Cisco.com.

To configure OSPF routing for IPv6, perform this procedure:

### Before you begin

You can customize OSPF for IPv6 for your network. However, the defaults for OSPF in IPv6 are set to meet the requirements of most customers and features.

Follow these guidelines:

- Be careful when changing the defaults for IPv6 commands. Changing the defaults might adversely affect OSPF for the IPv6 network.
- Before you enable IPv6 OSPF on an interface, you must enable routing by using the **ip routing** command in global configuration mode, enable the forwarding of IPv6 packets by using the **ipv6 unicast-routing** command in global configuration mode, and enable IPv6 on Layer 3 interfaces on which you are enabling IPv6 OSPF.

### Procedure

	Command or Action	Purpose
<b>Step 1</b>	<b>enable</b> <b>Example:</b>  Device> <b>enable</b>	Enables privileged EXEC mode.  Enter your password if prompted.

	Command or Action	Purpose
Step 2	<b>configure terminal</b> <b>Example:</b> Device# <b>configure terminal</b>	Enters global configuration mode.
Step 3	<b>ipv6 router ospf process-id</b> <b>Example:</b> Device(config)# <b>ipv6 router ospf 21</b>	Enables OSPF router configuration mode for the process. The process ID is the number assigned administratively when enabling the OSPF for IPv6 routing process. It is locally assigned and can be a positive integer from 1 to 65535.
Step 4	<b>area area-id range {ipv6-prefix/prefix length} [advertise   not-advertise] [cost cost]</b> <b>Example:</b> Device(config)# <b>area .3 range 2001:0DB8::/32 not-advertise</b>	(Optional) Consolidates and summarizes routes at an area boundary. <ul style="list-style-type: none"> <li>• <b>area-id</b>—Identifier of the area about which routes are to be summarized. It can be specified as either a decimal value or as an IPv6 prefix.</li> <li>• <b>ipv6-prefix/prefix length</b>—The destination IPv6 network and a decimal value that shows how many of the high-order contiguous bits of the address comprise the prefix (the network portion of the address). A slash mark (/) must precede the decimal value.</li> <li>• <b>advertise</b>—(Optional) Sets the address range status to advertise and generate a Type 3 summary link-state advertisement (LSA).</li> <li>• <b>not-advertise</b>—(Optional) Sets the address range status to DoNotAdvertise. The Type 3 summary LSA is suppressed, and component networks remain hidden from other networks.</li> <li>• <b>cost cost</b>—(Optional) Sets the metric or cost for this summary route, which is used during OSPF SPF calculation to determine the shortest paths to the destination. The value can be 0 to 16777215.</li> </ul>
Step 5	<b>maximum paths number-paths</b> <b>Example:</b> Device(config)# <b>maximum paths 16</b>	(Optional) Defines the maximum number of equal-cost routes to the same destination that IPv6 OSPF should enter in the routing table. The range is from 1 to 32, and the default is 16 paths.

	Command or Action	Purpose
<b>Step 6</b>	<b>exit</b> <b>Example:</b> Device(config-if)# <b>exit</b>	Returns to global configuration mode.
<b>Step 7</b>	<b>interface interface-id</b> <b>Example:</b> Device(config)# <b>interface</b> <b>gigabitethernet 1/0/1</b>	Enters interface configuration mode, and specifies the Layer 3 interface to configure.
<b>Step 8</b>	<b>ipv6 ospf process-id area area-id [instance instance-id]</b> <b>Example:</b> Device(config-if)# <b>ipv6 ospf 21 area .3</b>	Enables OSPF for IPv6 on the interface.  • <b>instance instance-id</b> —(Optional) Instance identifier.
<b>Step 9</b>	<b>end</b> <b>Example:</b> Device(config-if)# <b>end</b>	Returns to privileged EXEC mode.
<b>Step 10</b>	Use one of the following:  • <b>show ipv6 ospf [ process-id ] [ area-id ] interface [ interface-id ]</b> • <b>show ipv6 ospf [ process-id ] [ area-id ]</b>  <b>Example:</b> Device# <b>show ipv6 ospf 21 interface</b> <b>gigabitethernet2/0/1</b>  OR Device# <b>show ipv6 ospf 21</b>	• Displays information about OSPF interfaces.  • Displays general information about OSPF routing processes.
<b>Step 11</b>	<b>copy running-config startup-config</b> <b>Example:</b> Device# <b>copy running-config</b> <b>startup-config</b>	(Optional) Saves your entries in the configuration file.

## Configuring OSPF Interfaces

You can use the **ip ospf** interface configuration commands to modify interface-specific OSPF parameters. You are not required to modify any of these parameters, but some interface parameters (hello interval, dead interval, and authentication key) must be consistent across all routers in an attached network. If you modify these parameters, be sure all routers in the network have compatible values.



**Note** The `ip ospf` interface configuration commands are all optional.

### Procedure

	Command or Action	Purpose
<b>Step 1</b>	<b>enable</b> <b>Example:</b> Device> enable	Enables privileged EXEC mode. <ul style="list-style-type: none"> <li>• Enter your password if prompted.</li> </ul>
<b>Step 2</b>	<b>configure terminal</b> <b>Example:</b> Device#configure terminal	Enters global configuration mode.
<b>Step 3</b>	<b>interface interface-id</b> <b>Example:</b> Device(config)#interface gigabitethernet 1/0/1	Enters interface configuration mode, and specifies the Layer 3 interface to configure.
<b>Step 4</b>	<b>ip ospf cost cost</b> <b>Example:</b> Device(config-if)#ip ospf cost 8	(Optional) Explicitly specifies the cost of sending a packet on the interface.
<b>Step 5</b>	<b>ip ospf retransmit-interval seconds</b> <b>Example:</b> Device(config-if)#ip ospf transmit-interval 10	(Optional) Specifies the number of seconds between link state advertisement transmissions. The range is 1 to 65535 seconds. The default is 5 seconds.
<b>Step 6</b>	<b>ip ospf transmit-delay seconds</b> <b>Example:</b> Device(config-if)#ip ospf transmit-delay 2	(Optional) Sets the estimated number of seconds to wait before sending a link state update packet. The range is 1 to 65535 seconds. The default is 1 second.
<b>Step 7</b>	<b>ip ospf priority number</b> <b>Example:</b> Device(config-if)#ip ospf priority 5	(Optional) Sets priority to help find the OSPF designated router for a network. The range is from 0 to 255. The default is 1.
<b>Step 8</b>	<b>ip ospf hello-interval seconds</b> <b>Example:</b>	(Optional) Sets the number of seconds between hello packets sent on an OSPF interface. The value must be the same for all nodes on a



	Command or Action	Purpose
	Device(config-if)#ip ospf hello-interval 12	network. The range is 1 to 65535 seconds. The default is 10 seconds.
<b>Step 9</b>	<b>ip ospf dead-interval</b> seconds <b>Example:</b> Device(config-if)#ip ospf dead-interval 8	(Optional) Sets the number of seconds after the last device hello packet was seen before its neighbors declare the OSPF router to be down. The value must be the same for all nodes on a network. The range is 1 to 65535 seconds. The default is 4 times the hello interval.
<b>Step 10</b>	<b>ip ospf authentication-key</b> key <b>Example:</b> Device(config-if)#ip ospf authentication-key password	(Optional) Assign a password to be used by neighboring OSPF routers. The password can be any string of keyboard-entered characters up to 8 bytes in length. All neighboring routers on the same network must have the same password to exchange OSPF information.
<b>Step 11</b>	<b>ip ospf message digest-key</b> keyid <b>md5</b> key <b>Example:</b> Device(config-if)#ip ospf message digest-key 16 md5 yourlpass	(Optional) Enables MDS authentication. <ul style="list-style-type: none"> <li>• <i>keyid</i>—An identifier from 1 to 255.</li> <li>• <i>key</i>—An alphanumeric password of up to 16 bytes.</li> </ul>
<b>Step 12</b>	<b>ip ospf database-filter all out</b> <b>Example:</b> Device(config-if)#ip ospf database-filter all out	(Optional) Block flooding of OSPF LSA packets to the interface. By default, OSPF floods new LSAs over all interfaces in the same area, except the interface on which the LSA arrives.
<b>Step 13</b>	<b>end</b> <b>Example:</b> Device(config)# <b>end</b>	Returns to privileged EXEC mode.
<b>Step 14</b>	<b>show ip ospf interface</b> [ <i>interface-name</i> ] <b>Example:</b> Device#show ip ospf interface	Displays OSPF-related interface information.
<b>Step 15</b>	<b>show ip ospf neighbor detail</b> <b>Example:</b> Device#show ip ospf neighbor detail	Displays NSF awareness status of neighbor switch. The output matches one of these examples: <ul style="list-style-type: none"> <li>• <i>Options is 0x52</i> <i>LLS Options is 0x1 (LR)</i></li> </ul> When both of these lines appear, the neighbor switch is NSF aware.

	Command or Action	Purpose
		<ul style="list-style-type: none"> <li>• <i>Options is 0x42</i>—This means the neighbor switch is not NSF aware.</li> </ul>
<b>Step 16</b>	<b>copy running-config startup-config</b> <b>Example:</b> <pre>Device#copy running-config startup-config</pre>	(Optional) Saves your entries in the configuration file.

## Configuring OSPF Area Parameters

### Before you begin



**Note** The OSPF **area** router configuration commands are all optional.

### Procedure

	Command or Action	Purpose
<b>Step 1</b>	<b>enable</b> <b>Example:</b> <pre>Device&gt;enable</pre>	Enables privileged EXEC mode. <ul style="list-style-type: none"> <li>• Enter your password if prompted.</li> </ul>
<b>Step 2</b>	<b>configure terminal</b> <b>Example:</b> <pre>Device#configure terminal</pre>	Enters global configuration mode.
<b>Step 3</b>	<b>router ospf process-id</b> <b>Example:</b> <pre>Device(config)#router ospf 109</pre>	Enables OSPF routing, and enter router configuration mode.
<b>Step 4</b>	<b>area area-id authentication</b> <b>Example:</b> <pre>Device(config-router)#area 1 authentication</pre>	(Optional) Allow password-based protection against unauthorized access to the identified area. The identifier can be either a decimal value or an IP address.
<b>Step 5</b>	<b>area area-id authentication message-digest</b> <b>Example:</b>	(Optional) Enables MD5 authentication on the area.

	Command or Action	Purpose
	Device(config-router)#area 1 authentication message-digest	
<b>Step 6</b>	<b>area <i>area-id</i> stub [no-summary]</b> <b>Example:</b>  Device(config-router)#area 1 stub	(Optional) Define an area as a stub area. The <b>no-summary</b> keyword prevents an ABR from sending summary link advertisements into the stub area.
<b>Step 7</b>	<b>area <i>area-id</i> nssa [no-redistribution] [default-information-originate] [no-summary]</b> <b>Example:</b>  Device(config-router)#area 1 nssa default-information-originate	(Optional) Defines an area as a not-so-stubby-area. Every router within the same area must agree that the area is NSSA. Select one of these keywords: <ul style="list-style-type: none"> <li>• <b>no-redistribution</b>—Select when the router is an NSSA ABR and you want the <b>redistribute</b> command to import routes into normal areas, but not into the NSSA.</li> <li>• <b>default-information-originate</b>—Select on an ABR to allow importing type 7 LSAs into the NSSA.</li> <li>• <b>no-redistribution</b>—Select to not send summary LSAs into the NSSA.</li> </ul>
<b>Step 8</b>	<b>area <i>area-id</i> range <i>address mask</i></b> <b>Example:</b>  Device(config-router)#area 1 range 255.240.0.0	(Optional) Specifies an address range for which a single route is advertised. Use this command only with area border routers.
<b>Step 9</b>	<b>end</b> <b>Example:</b>  Device(config)# <b>end</b>	Returns to privileged EXEC mode.
<b>Step 10</b>	<b>show ip ospf [<i>process-id</i>]</b> <b>Example:</b>  Device#show ip ospf	Displays information about the OSPF routing process in general or for a specific process ID to verify configuration.
<b>Step 11</b>	<b>show ip ospf [<i>process-id</i> [<i>area-id</i>]] database</b> <b>Example:</b>  Device#show ip ospf database	Displays lists of information related to the OSPF database for a specific router.
<b>Step 12</b>	<b>copy running-config startup-config</b> <b>Example:</b>	(Optional) Saves your entries in the configuration file.

	Command or Action	Purpose
	Device#copy running-config startup-config	

## Configuring Other OSPF Parameters

### Procedure

	Command or Action	Purpose
<b>Step 1</b>	<b>enable</b> <b>Example:</b> Device>enable	Enables privileged EXEC mode. <ul style="list-style-type: none"> <li>• Enter your password if prompted.</li> </ul>
<b>Step 2</b>	<b>configure terminal</b> <b>Example:</b> Device#configure terminal	Enters global configuration mode.
<b>Step 3</b>	<b>router ospf process-id</b> <b>Example:</b> Device (config)#router ospf 10	Enables OSPF routing, and enter router configuration mode.
<b>Step 4</b>	<b>summary-address address mask</b> <b>Example:</b> Device (config)#summary-address 10.1.1.1 255.255.255.0	(Optional) Specifies an address and IP subnet mask for redistributed routes so that only one summary route is advertised.
<b>Step 5</b>	<b>area area-id virtual-link router-id [hello-interval seconds] [retransmit-interval seconds] [trans] [[authentication-key key]   message-digest-key keyid md5 key]]</b> <b>Example:</b> Device (config)#area 2 virtual-link 192.168.255.1 hello-interval 5	(Optional) Establishes a virtual link and set its parameters.
<b>Step 6</b>	<b>default-information originate [always] [metric metric-value] [metric-type type-value] [route-map map-name]</b> <b>Example:</b> Device (config)#default-information originate metric 100 metric-type 1	(Optional) Forces the ASBR to generate a default route into the OSPF routing domain. Parameters are all optional.

	Command or Action	Purpose
<b>Step 7</b>	<b>ip ospf name-lookup</b> <b>Example:</b> Device(config)#ip ospf name-lookup	(Optional) Configures DNS name lookup. The default is disabled.
<b>Step 8</b>	<b>ip auto-cost reference-bandwidth ref-bw</b> <b>Example:</b> Device(config)#ip auto-cost reference-bandwidth 5	(Optional) Specifies an address range for which a single route will be advertised. Use this command only with area border routers.
<b>Step 9</b>	<b>distance ospf</b> {[inter-area <i>dist1</i> ] [inter-area <i>dist2</i> ] [external <i>dist3</i> ]} <b>Example:</b> Device(config)#distance ospf inter-area 150	(Optional) Changes the OSPF distance values. The default distance for each type of route is 110. The range is 1 to 255.
<b>Step 10</b>	<b>passive-interface type number</b> <b>Example:</b> Device(config)#passive-interface gigabitethernet 1/0/6	(Optional) Suppresses the sending of hello packets through the specified interface.
<b>Step 11</b>	<b>timers throttle spf spf-delay spf-holdtime spf-wait</b> <b>Example:</b> Device(config)#timers throttle spf 200 100 100	(Optional) Configures route calculation timers. <ul style="list-style-type: none"> <li>• <i>spf-delay</i>—Delay between receiving a change to SPF calculation. The range is from 1 to 600000 milliseconds.</li> <li>• <i>spf-holdtime</i>—Delay between first and second SPF calculation. The range is from 1 to 600000 in milliseconds.</li> <li>• <i>spf-wait</i>—Maximum wait time in milliseconds for SPF calculations. The range is from 1 to 600000 in milliseconds.</li> </ul>
<b>Step 12</b>	<b>ospf log-adj-changes</b> <b>Example:</b> Device(config)#ospf log-adj-changes	(Optional) Sends syslog message when a neighbor state changes.
<b>Step 13</b>	<b>end</b> <b>Example:</b> Device(config)#end	Returns to privileged EXEC mode.

	Command or Action	Purpose
<b>Step 14</b>	<b>show ip ospf [process-id [area-id]] database</b> <b>Example:</b>  Device#show ip ospf database	Displays lists of information related to the OSPF database for a specific router.
<b>Step 15</b>	<b>copy running-config startup-config</b> <b>Example:</b>  Device#copy running-config startup-config	(Optional) Saves your entries in the configuration file.

## Changing LSA Group Pacing

### Procedure

	Command or Action	Purpose
<b>Step 1</b>	<b>enable</b> <b>Example:</b>  Device>enable	Enables privileged EXEC mode. <ul style="list-style-type: none"> <li>• Enter your password if prompted.</li> </ul>
<b>Step 2</b>	<b>configure terminal</b> <b>Example:</b>  Device#configure terminal	Enters global configuration mode.
<b>Step 3</b>	<b>router ospf process-id</b> <b>Example:</b>  Device(config)#router ospf 25	Enables OSPF routing, and enter router configuration mode.
<b>Step 4</b>	<b>timers lsa-group-pacing seconds</b> <b>Example:</b>  Device(config-router)#timers lsa-group-pacing 15	Changes the group pacing of LSAs.
<b>Step 5</b>	<b>end</b> <b>Example:</b>  Device(config)#end	Returns to privileged EXEC mode.

	Command or Action	Purpose
<b>Step 6</b>	<b>show running-config</b> <b>Example:</b>  Device# <code>show running-config</code>	Verifies your entries.
<b>Step 7</b>	<b>copy running-config startup-config</b> <b>Example:</b>  Device# <code>copy running-config startup-config</code>	(Optional) Saves your entries in the configuration file.

## Configuring a Loopback Interface

### Procedure

	Command or Action	Purpose
<b>Step 1</b>	<b>enable</b> <b>Example:</b>  Device> <code>enable</code>	Enables privileged EXEC mode. <ul style="list-style-type: none"> <li>• Enter your password if prompted.</li> </ul>
<b>Step 2</b>	<b>configure terminal</b> <b>Example:</b>  Device# <code>configure terminal</code>	Enters global configuration mode.
<b>Step 3</b>	<b>interface loopback 0</b> <b>Example:</b>  Device(config)# <code>interface loopback 0</code>	Creates a loopback interface, and enter interface configuration mode.
<b>Step 4</b>	<b>ip address address mask</b> <b>Example:</b>  Device(config-if)# <code>ip address 10.1.1.5 255.255.240.0</code>	Assign an IP address to this interface.
<b>Step 5</b>	<b>end</b> <b>Example:</b>  Device(config)# <code>end</code>	Returns to privileged EXEC mode.

	Command or Action	Purpose
<b>Step 6</b>	<b>show ip interface</b> <b>Example:</b> Device#show ip interface	Verifies your entries.
<b>Step 7</b>	<b>copy running-config startup-config</b> <b>Example:</b> Device#copy running-config startup-config	(Optional) Saves your entries in the configuration file.

## Monitoring OSPF

You can display specific statistics such as the contents of IP routing tables, caches, and databases.

*Table 11: Show IP OSPF Statistics Commands*

Command	Purpose
<b>show ip ospf</b> [ <i>process-id</i> ]	Displays general information about OSPF processes.
<b>show ip ospf</b> [ <i>process-id</i> ] <b>database</b> [ <b>router</b> ] [ <i>link-state-id</i> ] <b>show ip ospf</b> [ <i>process-id</i> ] <b>database</b> [ <b>router</b> ] [ <b>self-originate</b> ] <b>show ip ospf</b> [ <i>process-id</i> ] <b>database</b> [ <b>router</b> ] [ <b>adv-router</b> ] [ <i>ip-address</i> ] <b>show ip ospf</b> [ <i>process-id</i> ] <b>database</b> [ <b>network</b> ] [ <i>link-state-id</i> ] <b>show ip ospf</b> [ <i>process-id</i> ] <b>database</b> [ <b>summary</b> ] [ <i>link-state-id</i> ] <b>show ip ospf</b> [ <i>process-id</i> ] <b>database</b> [ <b>asbr-summary</b> ] [ <i>link-state-id</i> ] <b>show ip ospf</b> [ <i>process-id</i> ] <b>database</b> [ <b>external</b> ] [ <i>link-state-id</i> ] <b>show ip ospf</b> [ <i>process-id area-id</i> ] <b>database</b> [ <b>database-summary</b> ]	Displays lists of information about OSPF databases.
<b>show ip ospf border-routes</b>	Displays the internal OSPF routing table entries.
<b>show ip ospf interface</b> [ <i>interface-name</i> ]	Displays OSPF-related information for the interface.
<b>show ip ospf neighbor</b> [ <i>interface-name</i> ] [ <i>neighbor-id</i> ] <b>detail</b>	Displays OSPF interface neighbor information.
<b>show ip ospf virtual-links</b>	Displays OSPF-related information for virtual links.



# Configuration Examples for OSPF

## Configuration Examples for OSPF

### Example: Configuring Basic OSPF Parameters

This example shows how to configure an OSPF routing process and assign it a process number of 109:

```
Device(config)#router ospf 109
Device(config-router)#network 131.108.0.0 255.255.255.0 area 24
```

### Feature History for Open Shortest Path First

This table provides release and related information for the features explained in this module.

These features are available in all the releases subsequent to the one they were introduced in, unless noted otherwise.

Release	Feature	Feature Information
Cisco IOS XE Everest 16.5.1a	Open Shortest Path First	OSPF is an Interior Gateway Protocol (IGP) designed expressly for IP networks, supporting IP subnetting and tagging of externally derived routing information.  Support for this feature was introduced only on the C9500-12Q, C9500-16X, C9500-24Q, C9500-40X models of the Cisco Catalyst 9500 Series Switches.
Cisco IOS XE Fuji 16.8.1a	Open Shortest Path First	Support for this feature was introduced only on the C9500-32C, C9500-32QC, C9500-48Y4C, and C9500-24Y4C models of the Cisco Catalyst 9500 Series Switches.
Cisco IOS XE Cupertino 17.7.1	Open Shortest Path First	Support for this feature was introduced on the C9500X-28C8D model of the Cisco Catalyst 9500 Series Switches.

Use the Cisco Feature Navigator to find information about platform and software image support. To access Cisco Feature Navigator, go to <http://www.cisco.com/go/cfn>.





## CHAPTER 9

# Configuring OSPF NSR

- [Restrictions for OSPF Nonstop Routing, on page 153](#)
- [Information About OSPF Nonstop Routing, on page 153](#)
- [How to Configure OSPF Nonstop Routing, on page 154](#)
- [Configuration Examples for OSPF Nonstop Routing, on page 155](#)
- [Feature History for OSPF Nonstop Routing, on page 155](#)

## Restrictions for OSPF Nonstop Routing

- OSPF nonstop routing can significantly increase the memory used by OSPF during certain phases of its operation. CPU usage also can be increased. You should be aware of router memory capacity and estimate the likely memory requirements of OSPF nonstop Routing.

For more information, see *Configuring OSPF Nonstop Routing*. For devices where memory and CPU are constrained, you might want to consider using OSPF Nonstop Forwarding (NSF) instead. For more information, see *OSPF RFC 3623 Graceful Restart Helper Mode*.

- A changeover from the active to the standby Route Processor (RP) can take several seconds, depending on the hardware platform, and during this time OSPF is unable to send Hello packets. As a result, configurations that use small OSPF dead intervals might not be able to maintain adjacencies across a changeover.

## Information About OSPF Nonstop Routing

The OSPF Nonstop Routing feature allows a device with redundant Route Processors (RPs) to maintain its Open Shortest Path First (OSPF) state and adjacencies across planned and unplanned RP changeovers. The OSPF state is maintained by checkpointing the state information from OSPF on the active RP to the standby RP. After a changeover to the standby RP, OSPF uses the checkpointed information to continue operations without interruption.

Although OSPF Nonstop Routing serves a similar function to OSPF Nonstop Forwarding (NSF), it works differently. With NSF, OSPF on the newly active standby RP initially has no state information. OSPF uses extensions to the OSPF protocol to recover its state from neighboring OSPF devices. For the recovery to work, the neighbors must support the NSF protocol extensions and be willing to act as “helpers” to the device that is restarting. The neighbors must also continue forwarding data traffic to the device that is restarting while protocol state recovery takes place.

With nonstop routing, by contrast, the device that performs the changeover preserves its state internally, and in most cases the neighbors are unaware of the changeover. Because assistance is not needed from neighboring devices, nonstop routing can be used in situations where NSF cannot be used; for example, in networks where not all neighbors implement the NSF protocol extensions, or where network topology changes during the recovery making NSF unreliable, use nonstop routing instead of NSF.

## How to Configure OSPF Nonstop Routing

The following sections provide information on configuring OSPF nonstop routing.

### Configuring OSPF Nonstop Routing

To configure OSPF nonstop routing, perform this procedure.



**Note** Devices that do not support nonstop routing will not accept the **nsr** (OSPFv3) command.

#### Procedure

	Command or Action	Purpose
<b>Step 1</b>	<b>enable</b> <b>Example:</b> Device> <b>enable</b>	Enables privileged EXEC mode. Enter your password if prompted.
<b>Step 2</b>	<b>configure terminal</b> <b>Example:</b> Device# <b>configure terminal</b>	Enters global configuration mode.
<b>Step 3</b>	<b>router ospf</b> <i>process-id</i> <b>Example:</b> Device(config)# <b>router ospf 109</b>	Configures an OSPF routing process and enters router configuration mode.
<b>Step 4</b>	<b>nsr</b> <b>Example:</b> Device(config-router)# <b>nsr</b>	Configures nonstop routing.
<b>Step 5</b>	<b>end</b> <b>Example:</b> Device(config-router)# <b>end</b>	Exits router configuration mode and returns to privileged EXEC mode.
<b>Step 6</b>	<b>show ip ospf</b> [ <i>process-id</i> ] <b>nsr</b> [ <b>objects</b>   <b>statistics</b> ] <b>Example:</b> Device# <b>show ip ospf 109 nsr</b>	Displays OSPF nonstop routing status information.

# Configuration Examples for OSPF Nonstop Routing

## Example: Configuring OSPF Nonstop Routing

The following is an example output that shows how to configure OSPF NSR:

```
Device> enable
Device# configure terminal
Device(config)# router ospf 1
Device(config-router)# nsr
Device(config-router)# end
Device# show ip ospf 1 nsr
Standby RP
  Operating in duplex mode
  Redundancy state: STANDBY HOT
  Peer redundancy state: ACTIVE
  ISSU negotiation complete
  ISSU versions compatible
Routing Process "ospf 1" with ID 10.1.1.100
NSR configured
Checkpoint message sequence number: 3290
Standby synchronization state: synchronized
Bulk sync operations: 1
Last sync start time: 15:22:48.971 UTC Fri Jan 14 2011
Last sync finish time: 15:22:48.971 UTC Fri Jan 14 2011
Last sync lost time: -
Last sync reset time: -
LSA Count: 2, Checksum Sum 0x00008AB4
```

The output shows that OSPF nonstop routing is configured and that OSPF on the standby RP is fully synchronized and ready to continue operation should the active RP fail or if a manual changeover is performed.

## Feature History for OSPF Nonstop Routing

This table provides release and related information for the features explained in this module.

These features are available in all the releases subsequent to the one they were introduced in, unless noted otherwise.

Release	Feature	Feature Information
Cisco IOS XE Amsterdam 17.3.1	OSPF Nonstop Routing	<p>The OSPF Nonstop Routing feature allows a device with redundant Route Processors to maintain its OSPF state and adjacencies across planned and unplanned RP changeovers.</p> <p>Support for this feature was introduced only on the C9500-32C, C9500-32QC, C9500-48Y4C, and C9500-24Y4C models of the Cisco Catalyst 9500 Series Switches.</p>

Release	Feature	Feature Information
Cisco IOS XE Cupertino 17.7.1	OSPF Nonstop Routing	Support for this feature was introduced on the C9500X-28C8D model of the Cisco Catalyst 9500 Series Switches.

Use the Cisco Feature Navigator to find information about platform and software image support. To access Cisco Feature Navigator, go to <http://www.cisco.com/go/cfn>.



## CHAPTER 10

# Configuring OSPFv3 NSR

---

- [Information About OSPFv3 Nonstop Routing, on page 157](#)
- [How to Configure OSPFv3 Nonstop Routing, on page 158](#)
- [Configuration Examples for OSPFv3 Nonstop Routing, on page 160](#)
- [Troubleshooting Tips, on page 162](#)
- [Additional References, on page 163](#)
- [Feature History for OSPFv3 Nonstop Routing, on page 164](#)

## Information About OSPFv3 Nonstop Routing

OSPFv3 Nonstop Routing feature allows a device with redundant Route Processors (RPs) to maintain its Open Shortest Path First (OSPF) state and adjacencies across planned and unplanned RP switchovers. This feature works by checkpointing the OSPFv3 information from the active RP to the standby RP. When a changeover occurs and the standby RP becomes the new active RP, this checkpointed information is used to continue operation without interruption.

Although OSPFv3 Nonstop Routing serves a similar function to the OSPFv3 graceful restart feature, it works differently. With graceful restart, OSPFv3 on the newly active standby RP initially has no state information, so it uses extensions to the OSPFv3 protocol to recover its state from neighboring OSPFv3 devices. For this to work, the neighbors must support the graceful restart protocol extensions and be able to act as helpers to the restarting device. They must also continue forwarding data traffic to the restarting device while this recovery is taking place.

With nonstop routing, by contrast, the device performing the changeover preserves its state internally, and in most cases the neighbors are unaware that changeover has happened. Because no assistance is needed from neighboring devices, nonstop routing can be used in situations where graceful restart cannot; for example, graceful restart is unreliable in networks where not all the neighbors implement the graceful restart protocol extensions or where the network topology changes during recovery.



---

**Note** When nonstop routing is enabled, the responsiveness and scalability of OSPF is degraded. The performance degradation happens because OSPF uses CPU and memory to checkpoint data to the standby RP.

---

# How to Configure OSPFv3 Nonstop Routing

The following sections provide information on how to configure OSPFv3 and how to enable and disable OSPFv3 Nonstop Routing for an address family.

## Configuring OSPFv3 Nonstop Routing



**Note** Devices that do not support nonstop routing will not accept the **nsr** (OSPFv3) command.

### Procedure

	Command or Action	Purpose
<b>Step 1</b>	<b>enable</b> <b>Example:</b> Device> <b>enable</b>	Enables privileged EXEC mode. Enter your password if prompted.
<b>Step 2</b>	<b>configure terminal</b> <b>Example:</b> Device# <b>configure terminal</b>	Enters global configuration mode.
<b>Step 3</b>	<b>router ospfv3 <i>process-id</i></b> <b>Example:</b> Device(config)# <b>router ospfv3 109</b>	Enters router configuration mode and configures an OSPFv3 routing process.
<b>Step 4</b>	<b>nsr</b> <b>Example:</b> Device(config-router)# <b>nsr</b>	Configures nonstop routing.
<b>Step 5</b>	<b>end</b> <b>Example:</b> Device(config-router)# <b>end</b>	Exits router configuration mode and returns to privileged EXEC mode.
<b>Step 6</b>	<b>show ospfv3 [<i>process-id</i>] [<i>address-family</i>] nsr</b> <b>Example:</b> Device# <b>show ospfv3 109 nsr</b>	Displays OSPFv3 nonstop routing status information.

## Enabling OSPFv3 Nonstop Routing for an Address Family

To enable OSPFv3 nonstop routing for an address family, perform this procedure.





**Note** Devices that do not support nonstop routing will not accept the **nsr** (OSPFv3) command.

### Procedure

	Command or Action	Purpose
<b>Step 1</b>	<b>enable</b> <b>Example:</b> Device> <b>enable</b>	Enables privileged EXEC mode. Enter your password if prompted.
<b>Step 2</b>	<b>configure terminal</b> <b>Example:</b> Device# <b>configure terminal</b>	Enters global configuration mode.
<b>Step 3</b>	<b>router ospfv3</b> <i>process-id</i> <b>Example:</b> Device(config)# <b>router ospfv3 109</b>	Enters router configuration mode and configures an OSPFv3 routing process.
<b>Step 4</b>	<b>address-family</b> { <b>ipv4</b>   <b>ipv6</b> } <b>unicast</b> [ <b>vrf</b> <i>vrf-name</i> ] <b>Example:</b> Device(config-router)# <b>address-family ipv4 unicast</b>	Enters IPv4 or IPv6 address family configuration mode for OSPFv3 router configuration mode.
<b>Step 5</b>	<b>nsr</b> <b>Example:</b> Device(config-router-af)# <b>nsr</b>	Enables nonstop routing for the address family that is configured.
<b>Step 6</b>	<b>end</b> <b>Example:</b> Device(config-router)# <b>end</b>	Exits router configuration mode and returns to privileged EXEC mode.

## Disabling OSPFv3 Nonstop Routing for an Address Family

To disable OSPFv3 nonstop routing for an address family, perform this procedure.

### Procedure

	Command or Action	Purpose
<b>Step 1</b>	<b>enable</b> <b>Example:</b> Device> <b>enable</b>	Enables privileged EXEC mode. Enter your password if prompted.

	Command or Action	Purpose
<b>Step 2</b>	<b>configure terminal</b> <b>Example:</b> Device# <b>configure terminal</b>	Enters global configuration mode.
<b>Step 3</b>	<b>router ospfv3 process-id</b> <b>Example:</b> Device(config)# <b>router ospfv3 109</b>	Enters router configuration mode and configures an OSPFv3 routing process.
<b>Step 4</b>	<b>address-family {ipv4   ipv6} unicast [vrf vrf-name]</b> <b>Example:</b> Device(config-router)# <b>address-family ipv6 unicast</b>	Enters IPv4 or IPv6 address family configuration mode for OSPFv3 router configuration mode.
<b>Step 5</b>	<b>nsr [disable]</b> <b>Example:</b> Device(config-router-af)# <b>nsr disable</b>	Disables nonstop routing for the address family that is configured.
<b>Step 6</b>	<b>end</b> <b>Example:</b> Device(config-router)# <b>end</b>	Exits router configuration mode and returns to privileged EXEC mode.

## Configuration Examples for OSPFv3 Nonstop Routing

### Example: Configuring OSPFv3 Nonstop Routing

The following example shows how to configure OSPFv3 nonstop routing and to verify that it is enabled:

```

Device(config)# router ospfv3 1
Device(config-router)# nsr
Device(config-router)# end
Device# show ospfv3 1
  OSPFv3 1 address-family ipv4
    Router ID 10.0.0.1
    Supports NSSA (compatible with RFC 3101)
    Event-log enabled, Maximum number of events: 1000, Mode: cyclic
    It is an area border and autonomous system boundary router
    Redistributing External Routes from,
    Router is not originating router-LSAs with maximum metric
    Initial SPF schedule delay 5000 msec
    Minimum hold time between two consecutive SPFs 10000 msec
    Maximum wait time between two consecutive SPFs 10000 msec
    Minimum LSA interval 5 secs
    Minimum LSA arrival 1000 msec
    LSA group pacing timer 240 secs
    Interface flood pacing timer 33 msec
    Retransmission pacing timer 66 msec
    Retransmission limit dc 24 non-dc 24

```

```

Number of external LSA 0. Checksum Sum 0x000000
Number of areas in this router is 3. 2 normal 0 stub 1 nssa
Non-Stop Routing enabled
Graceful restart helper support enabled
Reference bandwidth unit is 100 mbps
RFC1583 compatibility enabled
  Area BACKBONE(0) (Inactive)
    Number of interfaces in this area is 1
    SPF algorithm executed 3 times
    Number of LSA 6. Checksum Sum 0x03C938
    Number of DCbitless LSA 0
    Number of indication LSA 0
    Number of DoNotAge LSA 0
    Flood list length 0
  Area 1
    Number of interfaces in this area is 3
    SPF algorithm executed 3 times
    Number of LSA 6. Checksum Sum 0x024041
    Number of DCbitless LSA 0
    Number of indication LSA 0
    Number of DoNotAge LSA 0
    Flood list length 0
  Area 3
    Number of interfaces in this area is 1
    It is a NSSA area
    Perform type-7/type-5 LSA translation
    SPF algorithm executed 4 times
    Number of LSA 5. Checksum Sum 0x024910
    Number of DCbitless LSA 0
    Number of indication LSA 0
    Number of DoNotAge LSA 0
    Flood list length 0

OSPFv3 1 address-family ipv6
Router ID 10.0.0.1
Supports NSSA (compatible with RFC 3101)
Event-log enabled, Maximum number of events: 1000, Mode: cyclic
It is an area border and autonomous system boundary router
Redistributing External Routes from,
  ospf 2
Router is not originating router-LSAs with maximum metric
Initial SPF schedule delay 5000 msec
Minimum hold time between two consecutive SPFs 10000 msec
Maximum wait time between two consecutive SPFs 10000 msec
Minimum LSA interval 5 secs
Minimum LSA arrival 1000 msec
LSA group pacing timer 240 secs
Interface flood pacing timer 33 msec
Retransmission pacing timer 66 msec
Retransmission limit dc 24 non-dc 24
Number of external LSA 0. Checksum Sum 0x000000
Number of areas in this router is 3. 2 normal 0 stub 1 nssa
Non-Stop Routing enabled
Graceful restart helper support enabled
Reference bandwidth unit is 100 mbps
RFC1583 compatibility enabled
  Area BACKBONE(0) (Inactive)
    Number of interfaces in this area is 2
    SPF algorithm executed 2 times
    Number of LSA 6. Checksum Sum 0x02BAB7
    Number of DCbitless LSA 0
    Number of indication LSA 0
    Number of DoNotAge LSA 0
    Flood list length 0

```

```

Area 1
  Number of interfaces in this area is 4
  SPF algorithm executed 2 times
  Number of LSA 7. Checksum Sum 0x04FF3A
  Number of DCbitless LSA 0
  Number of indication LSA 0
  Number of DoNotAge LSA 0
  Flood list length 0
Area 3
  Number of interfaces in this area is 1
  It is a NSSA area
  Perform type-7/type-5 LSA translation
  SPF algorithm executed 3 times
  Number of LSA 5. Checksum Sum 0x011014
  Number of DCbitless LSA 0
  Number of indication LSA 0
  Number of DoNotAge LSA 0
  Flood list length 0

```

## Example: Verifying OSPFv3 Nonstop Routing Status

The following example shows how to verify OSPFv3 nonstop routing status:

```

Device# show ospfv3 1 nsr
Active RP
Operating in duplex mode
Redundancy state: ACTIVE
Peer redundancy state: STANDBY HOT
Checkpoint peer ready
Checkpoint messages enabled
ISSU negotiation complete
ISSU versions compatible

      OSPFv3 1 address-family ipv4 (router-id 10.0.0.1)
NSR configured
Checkpoint message sequence number: 29
Standby synchronization state: synchronized
Bulk sync operations: 1
Next sync check time: 12:00:14.956 PDT Wed Jun 6 2012
LSA Count: 17, Checksum Sum 0x00085289

      OSPFv3 1 address-family ipv6 (router-id 10.0.0.1)
NSR configured
Checkpoint message sequence number: 32
Standby synchronization state: synchronized
Bulk sync operations: 1
Next sync check time: 12:00:48.537 PDT Wed Jun 6 2012
LSA Count: 18, Checksum Sum 0x0008CA05

```

The output shows that OSPFv3 nonstop routing is configured and that OSPFv3 on the standby RP is fully synchronized and ready to continue operation if the active RP fails or if a manual changeover is performed.

## Troubleshooting Tips

OSPFv3 nonstop routing can increase the amount of memory used by the OSPFv3 device process. To determine how much memory OSPFv3 is currently using without NSR, you can use the **show processes** and **show processes memory** commands:

```
Device# show processes
| include OSPFv3
276 Mwe 133BE14          1900      1792      1060 8904/12000  0 OSPFv3-1 Router
296 Mwe 133A824          10         971       10 8640/12000  0 OSPFv3-1 Hello
```

Process 276 is the OSPFv3 device process that is to be checked. The **show processes memory** command is used to display its current memory use:

```
Device# show processes memory 276
Process ID: 276
Process Name: OSPFv3-1 Router
Total Memory Held: 4454800 bytes
```

In this case OSPFv3 is using 4,454,800 bytes or approximately 4.5 megabytes (MB). OSPFv3 nonstop routing could double this for brief periods, so you should make sure the device has at least 5 MB of free memory before enabling OSPFv3 nonstop routing.

## Additional References

### Standards

Standards	Title
No new or modified standards are supported by this feature, and support for existing standards has not been modified by this feature.	—

### MIBs

MIBs	MIBs Link
No new or modified MIBs are supported by this feature, and support for existing MIBs has not been modified by this feature.	To locate and download MIBs for selected platforms, Cisco software releases, and feature sets, use Cisco MIB Locator found at the following URL:  <a href="http://www.cisco.com/go/mibs">http://www.cisco.com/go/mibs</a>

### RFCs

RFCs	Title
RFC 5187.	<i>OSPFv3 Graceful Restart</i>

**Technical Assistance**

Description	Link
The Cisco Support and Documentation website provides online resources to download documentation, software, and tools. Use these resources to install and configure the software and to troubleshoot and resolve technical issues with Cisco products and technologies. Access to most tools on the Cisco Support and Documentation website requires a Cisco.com user ID and password.	<a href="http://www.cisco.com/cisco/web/support/index.html">http://www.cisco.com/cisco/web/support/index.html</a>

## Feature History for OSPFv3 Nonstop Routing

This table provides release and related information for the features explained in this module.

These features are available in all the releases subsequent to the one they were introduced in, unless noted otherwise.

Release	Feature	Feature Information
Cisco IOS XE Amsterdam 17.3.1	OSPFv3 Nonstop Routing	<p>OSPFv3 Nonstop Routing feature allows a device with redundant Route Processors to maintain its OSPF state and adjacencies across planned and unplanned RP switchovers.</p> <p>Support for this feature was introduced only on the C9500-32C, C9500-32QC, C9500-48Y4C, and C9500-24Y4C models of the Cisco Catalyst 9500 Series Switches.</p>

Use the Cisco Feature Navigator to find information about platform and software image support. To access Cisco Feature Navigator, go to <http://www.cisco.com/go/cfn>.



## CHAPTER 11

# Configuring OSPFv2 Loop-Free Alternate IP Fast Reroute

---

The OSPFv2 Loop-Free Alternate IP Fast Reroute feature uses a precomputed alternate next hop to reduce failure reaction time when the primary next hop fails. It lets you configure a per-prefix Loop-Free Alternate (LFA) path that redirects traffic to a next hop other than the primary neighbor. The forwarding decision is made and service is restored without other routers' knowledge of the failure.

- [Prerequisites for OSPFv2 Loop-Free Alternate IP Fast Reroute, on page 165](#)
- [Restrictions for OSPFv2 Loop-Free Alternate IP Fast Reroute, on page 165](#)
- [Information About OSPFv2 Loop-Free Alternate IP Fast Reroute, on page 166](#)
- [How to Configure OSPFv2 Loop-Free Alternate IP Fast Reroute, on page 168](#)
- [Configuration Examples for OSPFv2 Loop-Free Alternate IP Fast Reroute, on page 172](#)
- [Feature History for OSPFv2 Loop-Free Alternate IP Fast, on page 173](#)

## Prerequisites for OSPFv2 Loop-Free Alternate IP Fast Reroute

Open Shortest Path First (OSPF) supports IP Fast Reroute (FRR) only on platforms that support this feature in the forwarding plane. See the Cisco Feature Navigator at <http://www.cisco.com/go/cfn> for information on platform support. An account on Cisco.com is not required.

## Restrictions for OSPFv2 Loop-Free Alternate IP Fast Reroute

- IPv6 LFA IP FRR is not supported.
- LFA IP FRR is not supported with primary path or backup path as Multiprotocol Label Switching (MPLS).
- LFA IP FRR is not supported with primary path or backup path as Equal-Cost Multipath (ECMP).
- LFA IP FRR is not supported for OSPFv2 VRF-Lite.
- LFA IP FRR is only available at the network-advantage license level.
- Generic Routing Encapsulation (GRE) tunnel as primary path is not supported.
- The convergence time may be higher in cases of high CPU utilization.

- The convergence time is dependent on the primary link status detection, and so, if the physical link goes down in cases of logical interfaces such as Switched Virtual interface (SVI) and port channels, the convergence time is expected to be higher.

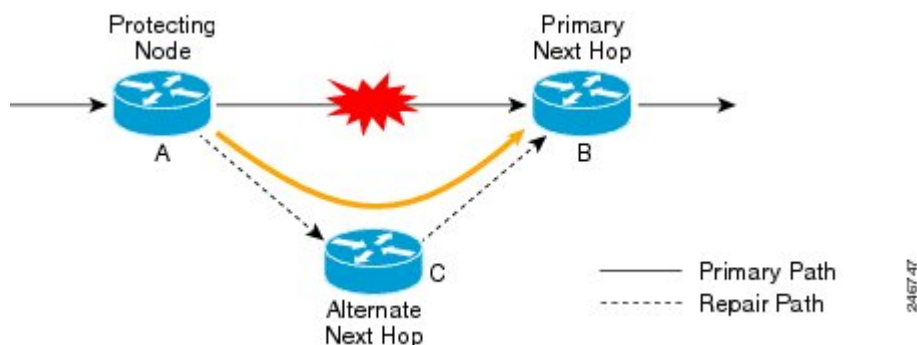
## Information About OSPFv2 Loop-Free Alternate IP Fast Reroute

The following sections provide detailed information about OSPFv2 Loop-Free Alternate IP Fast Reroute.

### LFA Repair Paths

The following figure shows how the OSPFv2 Loop-Free Alternate IP Fast Reroute feature reroutes traffic if a link fails. A protecting router precomputes per-prefix repair paths and installs them in the global routing information base (RIB). When the protected primary path fails, the protecting router diverts live traffic from the primary path to the stored repair path without other routers having to recompute the network topology or even be aware that the network topology has changed.

**Figure 7: LFA Repair Paths**



### LFA Repair Path Attributes

When a primary path fails, many paths are possible repair candidates. The Loop-Free Alternate IP Fast Reroute feature's default selection policy prioritizes attributes in the following order:

1. srlg
2. primary-path
3. interface-disjoint
4. lowest-metric
5. linecard-disjoint
6. node-protecting
7. broadcast-interface-disjoint

If the evaluation does not select any candidate, the repair path is selected by implicit load balancing. This means that repair path selection varies depending on prefix.



Use the **show ip ospf fast-reroute** command to display the current configuration.

Use the **fast-reroute tie-break** command to configure one or more of the repair-path attributes described in the following sections:

## Shared Risk Link Groups

A shared risk link group (SRLG) is a group of next-hop interfaces comprising repair and protected primary paths that have a high likelihood of failing simultaneously. The OSPFv2 Loop-Free Alternate IP Fast Reroute feature supports only the SRLGs that are locally configured on the computing router. VLANs on a single physical interface are an example of an SRLG. If the physical interface fails, all the VLAN interfaces will fail at the same time. The default repair-path attributes might result in the primary path on one VLAN being protected by a repair path over another VLAN. You can configure the `srlg` attribute to specify that LFA repair paths do not share the same SRLG ID as the primary path. Use the **srlg** command to assign an interface to an SRLG.

## Interface Protection

Point-to-point interfaces have no alternate next hop for rerouting if the primary gateway fails. You can set the `interface-disjoint` attribute to prevent the selection of such repair paths, thus protecting the interface.

## Broadcast Interface Protection

LFA repair paths protect links when a repair path and a protected primary path use different next-hop interfaces. However, on broadcast interfaces, if the LFA repair path is computed through the same interface as the primary path, but their next-hop gateways are different, the node is protected, but the link might not be. You can set the `broadcast-interface-disjoint` attribute to specify that the repair path never crosses the broadcast network the primary path points to; that is, the repair path cannot use the interface and the broadcast network connected to it.

See [Broadcast and Non-Broadcast Multi-Access \(NBMA\) Links](#) in RFC 5286, *Basic Specification for IP Fast Reroute: Loop-Free Alternates* for information on network topologies that require this tiebreaker.

## Node Protection

The default repair-path attributes might not protect the router that is the next hop in a primary path. You can configure the `node-protecting` attribute to specify that the repair path will bypass the primary-path gateway router.

## Downstream Path

In the case of a high-level network failure or multiple simultaneous network failures, traffic sent over an alternate path might loop until OSPF recomputes the primary paths. You can configure the `downstream` attribute to specify that the metric of any repair path to the protected destination must be lower than that of the protecting node to the destination. This might result in lost traffic, but it prevents looping.

## Line-Card Disjoint Interfaces

Line-card interfaces are similar to SRLGs because all the interfaces on the same line card will fail at the same time if there is a problem with the line card, for example, line card online insertion and removal (OIR). You can configure the `linecard-disjoint` attribute to specify that LFA repair paths use interfaces that are different from those on the primary-path line card.

## Metric

An LFA repair path need not be the most efficient of candidates. A high-cost repair path might be considered more attractive if it provides protection against higher-level network failures. You can configure the metric attribute to specify a repair-path policy that has the lowest metric.

## Equal-Cost Multipath Primary Paths

Equal-cost multipath paths (ECMPs) found during the primary shortest path first (SPF) repair, might not be desirable in network designs where traffic is known to exceed the capacity of a single link. You can configure the primary-path attribute to specify an LFA repair path from the ECMP set, or the secondary-path attribute to specify an LFA repair path that is not from the ECMP set.

## Candidate Repair-Path Lists

When OSPF computes a repair path, it keeps only the best candidate path in the local RIB in order to conserve memory. Use the **fast-reroute keep-all-paths** command to create a list of all the candidate repair paths that were considered. This information can be useful for troubleshooting, but because it can greatly increase memory consumption, it should be reserved for testing and debugging.

# How to Configure OSPFv2 Loop-Free Alternate IP Fast Reroute

The following sections provide information about the various tasks that comprise the configuration of OSPFv2 Loop-Free Alternate IP Fast Reroute.

## Enabling Per-Prefix OSPFv2 Loop-Free Alternate IP Fast Reroute

Perform this task to enable per-prefix OSPFv2 Loop-Free Alternate IP Fast Reroute and select the prefix priority in an OSPF area.

### Procedure

	Command or Action	Purpose
<b>Step 1</b>	<b>enable</b>  <b>Example:</b> Device> <b>enable</b>	Enables privileged EXEC mode. Enter your password, if prompted.
<b>Step 2</b>	<b>configure terminal</b>  <b>Example:</b> Device# <b>configure terminal</b>	Enters global configuration mode.
<b>Step 3</b>	<b>router ospf</b> <i>process-id</i>  <b>Example:</b> Device(config)# <b>router ospf 10</b>	Enables OSPF routing and enters router configuration mode.
<b>Step 4</b>	<b>fast-reroute per-prefix enable prefix-priority</b> <i>priority-level</i>	Enables repair-path computation and selects the priority level for repair paths.

	Command or Action	Purpose
	<b>Example:</b> Device (config-router)# <b>fast-reroute per-prefix enable prefix-priority low</b>	Low priority specifies that all the prefixes have the same eligibility for protection. High priority specifies that only high-priority prefixes are protected.
<b>Step 5</b>	<b>exit</b> <b>Example:</b> Device (config-router)# <b>exit</b>	Exits router configuration mode and returns to global configuration mode.

## Specifying Prefixes to Be Protected by LFA IP FRR

Perform this task to specify which prefixes will be protected by LFA IP FRR. Only prefixes specified in the route map will be protected.



**Note** Only three match keywords are recognized in the route map: **match tag**, **match route-type**, and **match ip address prefix-list**.

### Procedure

	Command or Action	Purpose
<b>Step 1</b>	<b>enable</b> <b>Example:</b> Device> <b>enable</b>	Enables privileged EXEC mode. <ul style="list-style-type: none"> <li>• Enter your password if prompted.</li> </ul>
<b>Step 2</b>	<b>configure terminal</b> <b>Example:</b> Device# <b>configure terminal</b>	Enters global configuration mode.
<b>Step 3</b>	<b>route-map map-tag [permit   deny]</b> <b>[sequence-number]</b> <b>Example:</b> Device(config)# <b>route-map OSPF-PREFIX-PRIORITY</b>	Enters route-map configuration mode and specifies the map name.
<b>Step 4</b>	<b>match tag tag-name</b> <b>Example:</b> Device(config-route-map)# <b>match tag 886</b>	Specifies the prefixes to be matched. <ul style="list-style-type: none"> <li>• Only prefixes that match the tag will be protected.</li> </ul>
<b>Step 5</b>	<b>exit</b> <b>Example:</b> Device(config-route-map)# <b>exit</b>	Exits route-map configuration mode and returns to global configuration mode.

	Command or Action	Purpose
<b>Step 6</b>	<b>router ospf</b> <i>process-id</i> <b>Example:</b> Device(config)# <b>router ospf 10</b>	Enables OSPF routing and enters router configuration mode.
<b>Step 7</b>	<b>prefix-priority</b> <i>priority-level</i> <b>route-map</b> <i>map-tag</i> <b>Example:</b> Device(config-router)# <b>prefix-priority high route-map OSPF-PREFIX-PRIORITY</b>	Sets the priority level for repair paths and specifies the route map that defines the prefixes.
<b>Step 8</b>	<b>exit</b> <b>Example:</b> Device(config-router)# <b>exit</b>	Exits router configuration mode and returns to global configuration mode.

## Configuring a Repair Path Selection Policy

Perform this task to configure a repair path selection policy, specifying a tiebreaking condition. See the [LFA Repair Path Attributes](#) for information on tiebreaking attributes.

### Procedure

	Command or Action	Purpose
<b>Step 1</b>	<b>enable</b> <b>Example:</b> Device> <b>enable</b>	Enables privileged EXEC mode. Enter your password if prompted.
<b>Step 2</b>	<b>configure terminal</b> <b>Example:</b> Device# <b>configure terminal</b>	Enters global configuration mode.
<b>Step 3</b>	<b>router ospf</b> <i>process-id</i> <b>Example:</b> Device(config)# <b>router ospf 10</b>	Enables OSPF routing and enters router configuration mode.
<b>Step 4</b>	<b>fast-reroute per-prefix tie-break</b> <i>attribute [required] index index-level</i> <b>Example:</b> Device(config-router)# <b>fast-reroute per-prefix tie-break srlg required index 10</b>	Configures a repair path selection policy by specifying a tie-breaking condition and setting its priority level.
<b>Step 5</b>	<b>exit</b> <b>Example:</b> Device(config-router)# <b>exit</b>	Exits router configuration mode and returns to global configuration mode.

## Creating a List of Repair Paths Considered

Perform this task to create a list of paths considered for LFA IP FRR.

### Procedure

	Command or Action	Purpose
<b>Step 1</b>	<b>enable</b> <b>Example:</b> Device> <b>enable</b>	Enables privileged EXEC mode. Enter your password if prompted.
<b>Step 2</b>	<b>configure terminal</b> <b>Example:</b> Device# <b>configure terminal</b>	Enters global configuration mode.
<b>Step 3</b>	<b>router ospf process-id</b> <b>Example:</b> Device(config)# <b>router ospf 10</b>	Enables OSPF routing and enters router configuration mode.
<b>Step 4</b>	<b>fast-reroute keep-all-paths</b> <b>Example:</b> Device(config-router)# <b>fast-reroute keep-all-paths</b>	Specifies creating a list of repair paths considered for LFA IP FRR.
<b>Step 5</b>	<b>exit</b> <b>Example:</b> Device(config-router)# <b>exit</b>	Exits router configuration mode and returns to global configuration mode.

## Prohibiting an Interface from Being Used as the Next Hop

Perform this task to prohibit an interface from being used as the next hop in a repair path.

### Procedure

	Command or Action	Purpose
<b>Step 1</b>	<b>enable</b> <b>Example:</b> Device> <b>enable</b>	Enables privileged EXEC mode. Enter your password if prompted.
<b>Step 2</b>	<b>configure terminal</b> <b>Example:</b> Device# <b>configure terminal</b>	Enters global configuration mode.
<b>Step 3</b>	<b>interface type number</b> <b>Example:</b>	Enters interface configuration mode for the interface specified.

	Command or Action	Purpose
	Device(config)# <b>interface Ethernet 1/0</b>	
<b>Step 4</b>	<b>ip ospf fast-reroute per-prefix candidate disable</b>  <b>Example:</b> Device(config-if)# <b>ip ospf fast-reroute per-prefix candidate disable</b>	Prohibits the interface from being used as the next hop in a repair path.
<b>Step 5</b>	<b>exit</b>  <b>Example:</b> Device(config-if)# <b>exit</b>	Exits interface configuration mode and returns to global configuration mode.

## Configuration Examples for OSPFv2 Loop-Free Alternate IP Fast Reroute

The following sections provide examples of OSPFv2 Loop-Free Alternate IP Fast Reroute configuration.

### Example: Enabling Per-Prefix LFA IP FRR

The following example shows how to enable per-prefix OSPFv2 LFA IP FRR and select the prefix priority in an OSPF area:

```
Device> enable
Device# configure terminal
Device(config)# router ospf 10
Device(config-router)# fast-reroute per-prefix enable prefix-priority low
Device(config-router)# end
```

### Example: Specifying Prefix-Protection Priority

The following example shows how to specify which prefixes will be protected by LFA FRR:

```
Device> enable
Device# configure terminal
Device(config)# router ospf 10
Device(config-router)# prefix-priority high route-map OSPF-PREFIX-PRIORITY
Device(config-router)# fast-reroute per-prefix enable prefix-priority high
Device(config-router)# network 192.0.2.1 255.255.255.0 area 0
Device(config-router)# route-map OSPF-PREFIX-PRIORITY permit 10
Device(config-router)# match tag 866
Device(config-router)# end
```

### Example: Configuring Repair-Path Selection Policy

The following example shows how to configure a repair-path selection policy that sets SRLG, line card failure, and downstream as tiebreaking attributes, and sets their priority indexes:

```
Device> enable
Device# configure terminal
Device(config)# router ospf 10
Device(config-router)# fast-reroute per-prefix enable prefix-priority low
Device(config-router)# fast-reroute per-prefix tie-break srlg required index 10
Device(config-router)# fast-reroute per-prefix tie-break linecard-disjoint index 15
Device(config-router)# fast-reroute per-prefix tie-break downstream index 20
Device(config-router)# network 192.0.2.1 255.255.255.0 area 0
Device(config-router)# end
```

## Example: Auditing Repair-Path Selection

The following example shows how to keep a record of repair-path selection:

```
Device> enable
Device# configure terminal
Device(config)# router ospf 10
Device(config-router)# fast-reroute per-prefix enable prefix-priority low
Device(config-router)# fast-reroute keep-all-paths
Device(config-router)# network 192.0.2.1 255.255.255.0 area 0
Device(config-router)# end
```

## Example: Prohibiting an Interface from Being a Protecting Interface

The following example shows how to prohibit an interface from being a protecting interface:

```
Device> enable
Device# configure terminal
Device(config)# interface Ethernet 0/0
Device(config-if)# ip address 192.0.2.1 255.255.255.0
Device(config-if)# ip ospf fast-reroute per-prefix candidate disable
Device(config-if)# end
```

## Feature History for OSPFv2 Loop-Free Alternate IP Fast

This table provides release and related information for the features explained in this module.

These features are available in all the releases subsequent to the one they were introduced in, unless noted otherwise.

Release	Feature	Feature Information
Cisco IOS XE Amsterdam 17.3.1	OSPFv2 Loop-Free Alternate IP Fast Reroute	<p>The OSPFv2 Loop-Free Alternate IP Fast Reroute feature uses a precomputed alternate next hop to reduce failure reaction time when the primary next hop fails.</p> <p>Support for this feature was introduced only on the C9500-32C, C9500-32QC, C9500-48Y4C, and C9500-24Y4C models of the Cisco Catalyst 9500 Series Switches.</p>

Use the Cisco Feature Navigator to find information about platform and software image support. To access Cisco Feature Navigator, go to <http://www.cisco.com/go/cfn>.





## CHAPTER 12

# Configuring OSPFv3 Fast Convergence - LSA and SPF Throttling

---

- [Information About OSPFv3 Fast Convergence: LSA and SPF Throttling](#), on page 175
- [How to Configure OSPFv3 Fast Convergence: LSA and SPF Throttling](#), on page 175
- [Example: Configuring LSA and SPF Throttling for OSPFv3 Fast Convergence](#), on page 177
- [Additional References](#), on page 178
- [Feature History for OSPFv3 Fast Convergence: LSA and SPF Throttling](#), on page 178

## Information About OSPFv3 Fast Convergence: LSA and SPF Throttling

The Open Shortest Path First version 3 (OSPFv3) link-state advertisement (LSAs) and shortest-path first (SPF) throttling feature provides a dynamic mechanism to slow down link-state advertisement updates in OSPFv3 during times of network instability. It also allows faster OSPFv3 convergence by providing LSA rate limiting in milliseconds.

OSPFv3 can use static timers for rate-limiting SPF calculation and LSA generation. Although these timers are configurable, the values used are specified in seconds, which poses a limitation on OSPFv3 convergence. LSA and SPF throttling achieves subsecond convergence by providing a more sophisticated SPF and LSA rate-limiting mechanism that is able to react quickly to changes and also provide stability and protection during prolonged periods of instability.

## How to Configure OSPFv3 Fast Convergence: LSA and SPF Throttling

The following sections provide configuration information about OSPFv3 Fast Convergence: LSA and SPF throttling.

### Tuning LSA and SPF Timers for OSPFv3 Fast Convergence

To tune LSA and SPF timers for OSPFv3 fast convergence, perform this procedure:

**Procedure**

	<b>Command or Action</b>	<b>Purpose</b>
<b>Step 1</b>	<b>enable</b> <b>Example:</b> Device> <b>enable</b>	Enables privileged EXEC mode. Enter your password if prompted.
<b>Step 2</b>	<b>configure terminal</b> <b>Example:</b> Device# <b>configure terminal</b>	Enters global configuration mode.
<b>Step 3</b>	<b>router ospfv3</b> [ <i>process-id</i> ] <b>Example:</b> Device(config)# <b>router ospfv3 1</b>	Enables OSPFv3 router configuration mode for the IPv4 or IPv6 address family.
<b>Step 4</b>	<b>timers lsa arrival</b> <i>milliseconds</i> <b>Example:</b> Device(config-rtr)# <b>timers lsa arrival 300</b>	Sets the minimum interval at which the software accepts the same LSA from OSPFv3 neighbors.
<b>Step 5</b>	<b>timers pacing flood</b> <i>milliseconds</i> <b>Example:</b> Device(config-rtr)# <b>timers pacing flood 30</b>	Configures LSA flood packet pacing.
<b>Step 6</b>	<b>timers pacing lsa-group</b> <i>seconds</i> <b>Example:</b> Device(config-router)# <b>timers pacing lsa-group 300</b>	Changes the interval at which OSPFv3 LSAs are collected into a group and refreshed, checksummed, or aged.
<b>Step 7</b>	<b>timers pacing retransmission</b> <i>milliseconds</i> <b>Example:</b> Device(config-router)# <b>timers pacing retransmission 100</b>	Configures LSA retransmission packet pacing in IPv4 OSPFv3.

## Configuring LSA and SPF Throttling for OSPFv3 Fast Convergence

To configure LSA and SPF throttling for OSPFv3 fast convergence, perform this procedure:

**Procedure**

	<b>Command or Action</b>	<b>Purpose</b>
<b>Step 1</b>	<b>enable</b> <b>Example:</b> Device> <b>enable</b>	Enables privileged EXEC mode. <ul style="list-style-type: none"> <li>• Enter your password if prompted.</li> </ul>

	Command or Action	Purpose
<b>Step 2</b>	<b>configure terminal</b> <b>Example:</b> Device# <b>configure terminal</b>	Enters global configuration mode.
<b>Step 3</b>	<b>ipv6 router ospf <i>process-id</i></b> <b>Example:</b> Device(config)# <b>ipv6 router ospf 1</b>	Enables OSPFv3 router configuration mode.
<b>Step 4</b>	<b>timers throttle spf <i>spf-start spf-hold spf-max-wait</i></b> <b>Example:</b> Device(config-rtr)# <b>timers throttle spf 200 200 200</b>	Turns on SPF throttling.
<b>Step 5</b>	<b>timers throttle lsa <i>start-interval hold-interval max-interval</i></b> <b>Example:</b> Device(config-rtr)# <b>timers throttle lsa 300 300 300</b>	Sets rate-limiting values for OSPFv3 LSA generation.
<b>Step 6</b>	<b>timers lsa arrival <i>milliseconds</i></b> <b>Example:</b> Device(config-rtr)# <b>timers lsa arrival 300</b>	Sets the minimum interval at which the software accepts the same LSA from OSPFv3 neighbors.
<b>Step 7</b>	<b>timers pacing flood <i>milliseconds</i></b> <b>Example:</b> Device(config-rtr)# <b>timers pacing flood 30</b>	Configures LSA flood packet pacing.

## Example: Configuring LSA and SPF Throttling for OSPFv3 Fast Convergence

The following example show how to display the configuration values for SPF and LSA throttling timers:

```
Device# show ipv6 ospf

Routing Process "ospfv3 1" with ID 10.9.4.1
Event-log enabled, Maximum number of events: 1000, Mode: cyclic
  It is an autonomous system boundary router
  Redistributing External Routes from,
    ospf 2
  Initial SPF schedule delay 5000 msecs
  Minimum hold time between two consecutive SPFs 10000 msecs
  Maximum wait time between two consecutive SPFs 10000 msecs
```

```
Minimum LSA interval 5 secs
Minimum LSA arrival 1000 msec
```

## Additional References

### Related Documents

Related Topic	Document Title
IPv6 addressing and connectivity	<i>IPv6 Configuration Guide</i>
OSPFv3 Fast Convergence: LSA and SPF Throttling	<i>OSPF Shortest Path First Throttling module</i>

### Standards and RFCs

Standard/RFC	Title
RFCs for IPv6	IPv6 RFCs

## Feature History for OSPFv3 Fast Convergence: LSA and SPF Throttling

This table provides release and related information for the features explained in this module.

These features are available in all the releases subsequent to the one they were introduced in, unless noted otherwise.

Release	Feature	Feature Information
Cisco IOS XE Fuji 16.8.1a	OSPFv3 Fast Convergence - LSA and SPF Throttling	The Open Shortest Path First version 3 (OSPFv3) LSAs and SPF throttling feature provides a dynamic mechanism to slow down link-state advertisement updates in OSPFv3 during times of network instability

Use the Cisco Feature Navigator to find information about platform and software image support. To access Cisco Feature Navigator, go to <http://www.cisco.com/go/cfn>.



## CHAPTER 13

# Configuring OSPFv3 Authentication Support with IPsec

- [Information About OSPFv3 Authentication Support with IPsec](#), on page 179
- [How to Configure OSPFv3 Authentication Support with IPsec](#), on page 181
- [How to Configure OSPFv3 IPsec ESP Encryption and Authentication](#), on page 182
- [Configuration Examples for OSPFv3 Authentication Support with IPsec](#), on page 185
- [Configuration Example for OSPFv3 IPsec ESP Encryption and Authentication](#), on page 186
- [Feature History for OSPFv3 Authentication Support with IPsec](#), on page 186

## Information About OSPFv3 Authentication Support with IPsec

The following sections provide information about OSPFv3 authentication support with IPsec and OSPFv3 virtual links.

### Overview of OSPFv3 Authentication Support with IPsec

In order to ensure that OSPFv3 packets are not altered and resent to the device, causing the device to behave in a way not desired by its system administrators, OSPFv3 packets must be authenticated. OSPFv3 uses the IPsec secure socket to add authentication to OSPFv3 packets.

OSPFv3 requires the use of IPsec to enable authentication. Crypto images are required to use authentication because only crypto images include the IPsec needed for use with OSPFv3.

In OSPFv3, authentication fields have been removed from OSPFv3 packet headers. When OSPFv3 runs on IPv6, OSPFv3 requires the IPv6 authentication header or IPv6 Encapsulating Security Payload (ESP) header to ensure integrity, authentication, and confidentiality of routing exchanges. IPv6 authentication header and ESP extension headers can be used to provide authentication and confidentiality to OSPFv3.

To use the IPsec authentication header, you must enable the **ipv6 ospf authentication** command. To use the IPsec ESP header, you must enable the **ipv6 ospf encryption** command. The ESP header can be applied alone or along with the authentication header, and when ESP is used, both encryption and authentication are provided. Security services can be provided between a pair of communicating hosts, between a pair of communicating security gateways, or between a security gateway and a host.

To configure IPsec, you should configure a security policy, which is a combination of the security policy index (SPI) and the key (the key is used to create and validate the hash value). IPsec for OSPFv3 can be configured on an interface or on an OSPFv3 area. For higher security, you should configure a different policy

on each interface that is configured with IPsec. If you configure IPsec for an OSPFv3 area, the policy is applied to all the interfaces in that area, except for the interfaces that have IPsec configured directly. After IPsec is configured for OSPFv3, IPsec is invisible to you.

The IPsecure socket is used by applications to secure traffic by allowing the application to open, listen, and close secure sockets. The binding between the application and the secure socket layer also allows the secure socket layer to inform the application of changes to the socket, such as connection open and close events. The IPsecure socket is able to identify the socket, that is, it can identify the local and remote addresses, masks, ports, and protocol that carry the traffic requiring security.

Each interface has a secure socket state, which can be one of the following:

- **NULL:** Do not create a secure socket for the interface if authentication is configured for the area.
- **DOWN:** IPsec has been configured for the interface (or the area that contains the interface), but OSPFv3 has either not requested IPsec to create a secure socket for this interface, or there is an error condition.




---

**Note** OSPFv3 does not send or accept packets while in the DOWN state.

---

- **GOING UP:** OSPFv3 has requested a secure socket from IPsec and is waiting for a CRYPTO\_SS\_SOCKET\_UP message from IPsec.
- **UP:** OSPFv3 has received a CRYPTO\_SS\_SOCKET\_UP message from IPsec.
- **CLOSING:** The secure socket for the interface has been closed. A new socket can be opened for the interface, in which case, the current secure socket makes the transition to the DOWN state. Otherwise, the interface becomes UNCONFIGURED.
- **UNCONFIGURED:** Authentication is not configured on the interface.

## OSPFv3 Virtual Links

For each virtual link, a primary security information data block is created. Because a secure socket must be opened on each interface, there will be a corresponding security information datablock for each interface in the transit area. The secure socket state is kept in the interface's security information datablock. The **state** field in the primary security information datablock shows the status of all the secure sockets opened for the corresponding virtual link. If all the secure sockets are UP, the security state for the virtual link is set to UP.

Packets sent on a virtual link with IPsec must use predetermined source and destination addresses. The first local area address found in the device's intra-area-prefix Link-State Advertisement (LSA) for the area is used as the source address. This source address is saved in the area's data structure and used when secure sockets are opened and packets sent over the corresponding virtual link. The virtual link does not transition to the point-to-point state until a source address is selected. Also, when the source or destination address changes, the previous secure sockets must be closed and new secure sockets opened.




---

**Note** Virtual links are not supported for the IPv4 address family.

---

# How to Configure OSPFv3 Authentication Support with IPsec

The following sections provide information on how to define authentication on an interface, and how to define authentication in an OSPFv3 area.

## Defining Authentication on an Interface

To define authentication on an interface, perform this procedure:

### Before you begin

Before you configure IPsec on an interface, you must configure OSPFv3 on that interface.

### Procedure

	Command or Action	Purpose
<b>Step 1</b>	<b>enable</b> <b>Example:</b> Device> <b>enable</b>	Enables privileged EXEC mode. Enter your password, if prompted.
<b>Step 2</b>	<b>configure terminal</b> <b>Example:</b> Device# <b>configure terminal</b>	Enters global configuration mode.
<b>Step 3</b>	<b>interface</b> <i>type number</i> <b>Example:</b> Device(config)# <b>interface ethernet 1/0/1</b>	Configures an interface.
<b>Step 4</b>	Choose one of the following: <ul style="list-style-type: none"> <li>• <b>ospfv3 authentication</b> {{<b>ipsec spi spi</b> {<b>md5</b>   <b>sha1</b>}}   { <i>key-encryption-type</i> <i>key</i> }   <b>null</b>}</li> <li>• <b>ipv6 ospf authentication</b> {<b>null</b>   <b>ipsec spi spi authentication-algorithm</b> [<i>key-encryption-type</i>] [<i>key</i>]}</li> </ul> <b>Example:</b> Device(config-if)# <b>ospfv3 authentication md5 0 27576134094768132473302031209727</b> OR Device(config-if)# <b>ipv6 ospf authentication ipsec spi 500 md5 1234567890abcdef1234567890abcdef</b>	Specifies the authentication type for an interface.

## Defining Authentication in an OSPFv3 Area

To define authentication in an OSPFv3 area, perform this procedure:

### Procedure

	Command or Action	Purpose
<b>Step 1</b>	<b>enable</b> <b>Example:</b> Device> <b>enable</b>	Enables privileged EXEC mode. Enter your password, if prompted.
<b>Step 2</b>	<b>configure terminal</b> <b>Example:</b> Device# <b>configure terminal</b>	Enters global configuration mode.
<b>Step 3</b>	<b>ipv6 router ospf <i>process-id</i></b> <b>Example:</b> Device(config)# <b>ipv6 router ospf 1</b>	Enables OSPFv3 router configuration mode.
<b>Step 4</b>	<b>area <i>area-id</i> authentication ipsec spi <i>spi</i> authentication-algorithm [<i>key-encryption-type</i>] <i>key</i></b> <b>Example:</b> Device(config-router)# <b>area 1 authentication ipsec spi 678 md5 1234567890ABCDEF1234567890ABCDEF</b>	Enables authentication in an OSPFv3 area.

## How to Configure OSPFv3 IPsec ESP Encryption and Authentication

The following sections provide information on how to define encryption on an interface, how to define encryption in an OSPFv3 area, and how to defining authentication and encryption for a virtual link in an OSPFv3 area:

### Defining Encryption on an Interface

To define encryption on an interface, perform this procedure.

#### Before you begin

Before you configure IPsec on an interface, you must configure OSPFv3 on that interface.



## Procedure

	Command or Action	Purpose
<b>Step 1</b>	<b>enable</b> <b>Example:</b> Device> <b>enable</b>	Enables privileged EXEC mode. Enter your password, if prompted.
<b>Step 2</b>	<b>configure terminal</b> <b>Example:</b> Device# <b>configure terminal</b>	Enters global configuration mode.
<b>Step 3</b>	<b>interface</b> <i>type number</i> <b>Example:</b> Device(config)# <b>interface ethernet 1/0/1</b>	Configures an interface.
<b>Step 4</b>	Choose one of the following:  <ul style="list-style-type: none"> <li>• <b>ospfv3 authentication</b> {<i>ipsec spi spi esp encryption-algorithm key-encryption-type key authentication-algorithm key-encryption-type key</i>   <b>null</b>}</li> <li>• <b>ipv6 ospf authentication</b> {<i>ipsec spi spi esp {encryption-algorithm [key-encryption-type] key</i>   <b>null</b>} <i>authentication-algorithm [key-encryption-type] key</i>   <b>null</b>}</li> </ul> <b>Example:</b> Device(config-if)# <b>ospfv3 encryption ipsec spi 1001 esp null md5 0 27576134094768132473302031209727</b>  OR Device(config-if)# <b>ipv6 ospf encryption ipsec spi 1001 esp null sha1 123456789A123456789B123456789C123456789D</b>	Specifies the encryption type for the interface.

## Defining Encryption in an OSPFv3 Area

To define encryption in an OSPFv3 area, perform this procedure.

## Procedure

	Command or Action	Purpose
<b>Step 1</b>	<b>enable</b> <b>Example:</b> Device> <b>enable</b>	Enables privileged EXEC mode. Enter your password, if prompted.

	Command or Action	Purpose
<b>Step 2</b>	<b>configure terminal</b>  <b>Example:</b> Device# <code>configure terminal</code>	Enters global configuration mode.
<b>Step 3</b>	<b>ipv6 router ospf <i>process-id</i></b>  <b>Example:</b> Device(config)# <code>ipv6 router ospf 1</code>	Enables OSPFv3 router configuration mode.
<b>Step 4</b>	<b>area <i>area-id</i> encryption ipsec spi <i>spi</i> esp {<i>encryption-algorithm</i> [<i>key-encryption-type</i>] key   null} authentication-algorithm [<i>key-encryption-type</i>] key</b>  <b>Example:</b> Device(config-router)# <code>area 1 encryption ipsec spi 500 esp null md5 1aaa2bbb3ccc4ddd5eee6fff7aaa8bbb</code>	Enables encryption in an OSPFv3 area.

## Defining Authentication and Encryption for a Virtual Link in an OSPFv3 Area

To define authentication and encryption for a virtual link in an OSPFv3 area, perform this procedure:

### Procedure

	Command or Action	Purpose
<b>Step 1</b>	<b>enable</b>  <b>Example:</b> Device> <code>enable</code>	Enables privileged EXEC mode.  Enter your password, if prompted.
<b>Step 2</b>	<b>configure terminal</b>  <b>Example:</b> Device# <code>configure terminal</code>	Enters global configuration mode.
<b>Step 3</b>	<b>ipv6 router ospf <i>process-id</i></b>  <b>Example:</b> Device(config)# <code>ipv6 router ospf 1</code>	Enables OSPFv3 router configuration mode.
<b>Step 4</b>	<b>area <i>area-id</i> virtual-link <i>router-id</i> authentication ipsec spi <i>spi</i> authentication-algorithm [<i>key-encryption-type</i>] key</b>  <b>Example:</b> Device(config-router)# <code>area 1 virtual-link 10.0.0.1 authentication ipsec spi 940 md5 1234567890ABCDEF1234567890ABCDEF</code>	Enables authentication for virtual links in an OSPFv3 area.

	Command or Action	Purpose
<b>Step 5</b>	<pre>area area-id virtual-link router-id authentication ipsec spi spi esp {encryption-algorithm [key-encryption-type] key   null} authentication-algorithm [key-encryption-type] key</pre> <p><b>Example:</b></p> <pre>Device(config-router)# area 1 virtual-link 10.1.0.1 hello-interval 2 dead-interval 10 encryption ipsec spi 3944 esp null sha1 123456789A123456789B123456789C123456789D</pre>	Enables encryption for virtual links in the OSPFv3 area.

## Configuration Examples for OSPFv3 Authentication Support with IPsec

The following sections provide various configuration examples for OSPFv3 authentication support with IPsec.

### Example: Defining Authentication on an Interface

The following example shows how to define authentication on Ethernet interface 1/0/1:

```
Device> enable
Device# configure terminal
Device(config)# interface Ethernet1/0/1
Device(config-if)# ipv6 enable
Device(config-if)# ipv6 ospf 1 area 0
Device(config-if)# ipv6 ospf authentication ipsec spi 500 md5 1234567890ABCDEF1234567890ABCDEF
Device(config-if)# exit
Device(config)# interface Ethernet1/0/1
Device(config-if)# ipv6 enable
Device(config-if)# ipv6 ospf authentication null
Device(config-if)# ipv6 ospf 1 area 0
```

### Example: Defining Authentication in an OSPFv3 Area

The following example shows how to define authentication on OSPFv3 area 0:

```
Device> enable
Device# configure terminal
Device(config)# ipv6 router ospf 1
Device(config-router)# router-id 10.11.11.1
Device(config-router)# area 0 authentication ipsec spi 1000 md5
1234567890ABCDEF1234567890ABCDEF
```

# Configuration Example for OSPFv3 IPsec ESP Encryption and Authentication

The following section provides an example to verify OSPFv3 IPsec ESP encryption and authentication.

## Example: Verifying Encryption in an OSPFv3 Area

The following is a sample output of the `show ipv6 ospf interface` command:

```
Device> enable
Device# show ipv6 ospf interface

Ethernet1/0/1 is up, line protocol is up
  Link Local Address 2001:0DB1:A8BB:CCFF:FE00:6E00, Interface ID 2
  Area 0, Process ID 1, Instance ID 0, Router ID 10.10.10.1
  Network Type BROADCAST, Cost:10
  MD5 Authentication (Area) SPI 1000, secure socket state UP (errors:0)
  Transmit Delay is 1 sec, State BDR, Priority 1
  Designated Router (ID) 10.11.11.1, local address 2001:0DB1:A8BB:CCFF:FE00:6F00
  Backup Designated router (ID) 10.10.10.1, local address
FE80::A8BB:CCFF:FE00:6E00
  Timer intervals configured, Hello 10, Dead 40, Wait 40, Retransmit 5
    Hello due in 00:00:03
  Index 1/1/1, flood queue length 0
  Next 0x0(0)/0x0(0)/0x0(0)
  Last flood scan length is 1, maximum is 1
  Last flood scan time is 0 msec, maximum is 0 msec
  Neighbor Count is 1, Adjacent neighbor count is 1
    Adjacent with neighbor 10.11.11.1 (Designated Router)
  Suppress hello for 0 neighbor(s)
```

## Feature History for OSPFv3 Authentication Support with IPsec

This table provides release and related information for the features explained in this module.

These features are available in all the releases subsequent to the one they were introduced in, unless noted otherwise.

Release	Feature	Feature Information
Cisco IOS XE Fuji 16.8.1a	OSPFv3 Authentication Support with IPsec	OSPFv3 uses the IPsec secure socket to add authentication to OSPFv3 packets.

Use the Cisco Feature Navigator to find information about platform and software image support. To access Cisco Feature Navigator, go to [Cisco Feature Navigator](#).



## CHAPTER 14

# Configuring OSPFv3 Authentication Trailer

- [Information About the OSPFv3 Authentication Trailer, on page 187](#)
- [How to Configure the OSPFv3 Authentication Trailer, on page 188](#)
- [Configuration Examples for the OSPFv3 Authentication Trailer, on page 190](#)
- [Additional References for OSPFv3 Authentication Trailer, on page 191](#)
- [Feature History for OSPFv3 Authentication Trailer, on page 192](#)

## Information About the OSPFv3 Authentication Trailer

The OSPFv3 authentication trailer feature (as defined in RFC 7166) provides an alternative mechanism to authenticate Open Shortest Path First version 3 (OSPFv3) protocol packets. Prior to the OSPFv3 authentication trailer, OSPFv3 IPsec (as defined in RFC 4552) was the only mechanism for authenticating protocol packets. The OSPFv3 authentication trailer feature also provides packet replay protection through sequence number and do not have platform dependencies.

To perform non-IPsec cryptographic authentication, devices attach a special data block, that is, authentication trailer, to the end of the OSPFv3 packet. The length of the authentication trailer is not included in the length of the OSPFv3 packet but is included in the IPv6 payload length. The Link-Local Signaling (LLS) block is established by the L-bit setting in the **OSPFv3 Options** field in OSPFv3 hello packets and database description packets. If present, the LLS data block is included in the cryptographic authentication computation along with the OSPFv3 packet.

A new authentication trailer bit is introduced into the **OSPFv3 Options** field. OSPFv3 devices must set the authentication trailer bit in OSPFv3 hello packets and database description packets to indicate that all the packets on this link include an authentication trailer. For OSPFv3 hello packets and database description packets, the authentication trailer bit indicates that the authentication trailer is present. For other OSPFv3 packet types, the OSPFv3 authentication trailer bit setting from the OSPFv3 hello and database description setting is preserved in the OSPFv3 neighbor data structure. OSPFv3 packet types that do not include the **OSPFv3 Options** field uses the setting from the neighbor data structure to determine whether the authentication trailer is expected. The authentication trailer bit must be set in all OSPFv3 hello packets and database description packets that contain an authentication trailer.

To configure the authentication trailer, OSPFv3 utilizes the existing Cisco IOS **key chain** command. For outgoing OSPFv3 packets, the following rules are used to select the key from the key chain:

- Select the key that is the last to expire.
- If two keys have the same stop time, select the one with the highest key ID.

The security association ID maps to the authentication algorithm and the secret key that is used to generate and verify the message digest. If the authentication is configured, but the last valid key is expired, the packets are sent using the key. A syslog message is also generated. If no valid key is available, the packet is sent without the authentication trailer. When packets are received, the key ID is used to look up the data for that key. If the key ID is not found in the key chain, or if the security association is not valid, the packet is dropped. Otherwise, the packet is verified using the algorithm and the key that is configured for the key ID. Key chains support rollover using key lifetimes. A new key can be added to a key chain with the send start time set in the future. This setting allows the new key to be configured on all the devices before the keys are actually used.

The hello packets have higher priority than other OSPFv3 packets, and therefore, can get reordered on the outgoing interface. This reordering can create problems with sequence number verification on neighboring devices. To prevent sequence mismatch, OSPFv3 verifies the sequence number separately for each packet type. See RFC 7166 for more details on the authentication procedure.

During the initial rollover of the authentication trailer feature on the network, adjacency can be maintained between the devices that are configured with authentication routes and devices that are yet to be configured by using the deployment mode. When the deployment mode is configured using the **authentication mode deployment** command, the packets are processed differently. For the outgoing packets, OSPF checksum is calculated even if authentication trailer is configured. For incoming packets, the packets without authentication trailer or the wrong authentication hash are dropped. In the deployment mode, the **show ospfv3 neighbor detail** command shows the last packet authentication status. This information can be used to verify if the authentication trailer feature is working before the mode is set to normal with the **authentication mode normal** command.

## How to Configure the OSPFv3 Authentication Trailer

To configure OSPFv3 authentication trailer, perform this procedure:

### Before you begin

An authentication key is required for configuring OSPFv3 authentication trailer. For more information on configuring an authentication key, see *How to Configure Authentication Keys in Protocol-Independent Features*.

### Procedure

	Command or Action	Purpose
<b>Step 1</b>	<b>enable</b> <b>Example:</b> Device> <b>enable</b>	Enables privileged EXEC mode. Enter your password, if prompted.
<b>Step 2</b>	<b>configure terminal</b> <b>Example:</b> Device# <b>configure terminal</b>	Enters global configuration mode.
<b>Step 3</b>	<b>interface</b> <i>type number</i> <b>Example:</b>	Specifies the interface type and number.

	Command or Action	Purpose
	Device(config)# <b>interface</b> GigabitEthernet 2/0/1	
<b>Step 4</b>	<b>ospfv3</b> [ <i>pid</i> ] [ <b>ipv4</b>   <b>ipv6</b> ] <b>authentication</b> { <b>key-chain</b> <i>chain-name</i>   <b>null</b> }  <b>Example:</b> Device(config-if)# <b>ospfv3 1 ipv6</b> <b>authentication key-chain ospf-1</b>	Specifies the authentication type for an OSPFv3 instance.
<b>Step 5</b>	<b>router ospfv3</b> [ <i>process-id</i> ]  <b>Example:</b> Device(config-if)# <b>router ospfv3 1</b>	Enters OSPFv3 router configuration mode.
<b>Step 6</b>	<b>address-family ipv6 unicast</b>  <b>Example:</b> Device(config-router)# <b>address-family</b> <b>ipv6 unicast</b>	Configures the IPv6 address family in the OSPFv3 process and enters IPv6 address family configuration mode.
<b>Step 7</b>	<b>area</b> <i>area-id</i> <b>authentication</b> { <b>key-chain</b> <i>chain-name</i>   <b>null</b> }  <b>Example:</b> Device(config-router-af)# <b>area 1</b> <b>authentication key-chain ospf-chain-1</b>	Configures the authentication trailer on all interfaces in the OSPFv3 area.
<b>Step 8</b>	<b>area</b> <i>area-id</i> <b>virtual-link</b> <i>router-id</i> <b>authentication key-chain</b> <i>chain-name</i>  <b>Example:</b> Device(config-router-af)# <b>area 1</b> <b>virtual-link 1.1.1.1 authentication</b> <b>key-chain ospf-chain-1</b>	Configures the authentication for virtual links.
<b>Step 9</b>	<b>area</b> <i>area-id</i> <b>sham-link</b> <i>source-address</i> <i>destination-address</i> <b>authentication key-chain</b> <i>chain-name</i>  <b>Example:</b> Device(config-router-af)# <b>area 1</b> <b>sham-link 1.1.1.1 1.1.1.0 authentication</b> <b>key-chain ospf-chain-1</b>	Configures the authentication for sham-links.
<b>Step 10</b>	<b>authentication mode</b> { <b>deployment</b>   <b>normal</b> }  <b>Example:</b> Device(config-router-af)# <b>authentication</b> <b>mode deployment</b>	(Optional) Specifies the type of authentication used for the OSPFv3 instance.  The <b>deployment</b> keyword provides adjacency between configured and the unconfigured authentication devices.
<b>Step 11</b>	<b>end</b>  <b>Example:</b> Device(config-router-af)# <b>end</b>	Exits IPv6 address family configuration mode and returns to privileged EXEC mode.

	Command or Action	Purpose
<b>Step 12</b>	<b>show ospfv3 interface</b> <b>Example:</b> Device# <b>show ospfv3</b>	(Optional) Displays OSPFv3-related interface information.
<b>Step 13</b>	<b>show ospfv3 neighbor [detail]</b> <b>Example:</b> Device# <b>show ospfv3 neighbor detail</b>	(Optional) Displays OSPFv3 neighbor information on a per-interface basis.
<b>Step 14</b>	<b>debug ospfv3</b> <b>Example:</b> Device# <b>debug ospfv3</b>	(Optional) Displays debugging information for OSPFv3.

## Configuration Examples for the OSPFv3 Authentication Trailer

The following sections provide examples on how to configure the OSPFv3 authentication trailer and how to verify the OSPFv3 authentication trailer configuration.

### Example: Configuring the OSPFv3 Authentication Trailer

The following example shows how to define authentication trailer on GigabitEthernet interface 1/0/1:

```
Device> enable
Device# configure terminal
Device(config)# interface GigabitEthernet 1/0/1
Device(config-if)# ospfv3 1 ipv6 authentication key-chain ospf-1
Device(config-if)# router ospfv3 1
Device(config-router)# address-family ipv6 unicast
Device(config-router-af)# area 1 authentication key-chain ospf-1
Device(config-router-af)# area 1 virtual-link 1.1.1.1 authentication key-chain ospf-1
Device(config-router-af)# area 1 sham-link 1.1.1.1 authentication key-chain ospf-1
Device(config-router-af)# authentication mode deployment
Device(config-router-af)# end
Device(config)# key chain ospf-1
Device(config-keychain)# key 1
Device(config-keychain-key)# key-string ospf
Device(config-keychain-key)# cryptographic-algorithm hmac-sha-256
!
```

### Example: Verifying OSPFv3 Authentication Trailer

The following example shows the output of the **show ospfv3** command.

```
Device# show ospfv3
  OSPFv3 1 address-family ipv6
  Router ID 1.1.1.1
  ...
```



```

RFC1583 compatibility enabled
Authentication configured with deployment key lifetime
Active Key-chains:
  Key chain ospf-1: Send key 1, Algorithm HMAC-SHA-256, Number of interfaces 1
    Area BACKBONE(0)

```

The following example shows the output of the **show ospfv3 neighbor detail** command.

```

Device# show ospfv3 neighbor detail
OSPFv3 1 address-family ipv6 (router-id 2.2.2.2)
Neighbor 1.1.1.1
  In the area 0 via interface GigabitEthernet0/0
  Neighbor: interface-id 2, link-local address FE80::A8BB:CCFF:FE01:2D00
  Neighbor priority is 1, State is FULL, 6 state changes
  DR is 2.2.2.2 BDR is 1.1.1.1
  Options is 0x000413 in Hello (V6-Bit, E-Bit, R-Bit, AT-Bit)
  Options is 0x000413 in DBD (V6-Bit, E-Bit, R-Bit, AT-Bit)
  Dead timer due in 00:00:33
  Neighbor is up for 00:05:07
  Last packet authentication succeed
  Index 1/1/1, retransmission queue length 0, number of retransmission 0
  First 0x0(0)/0x0(0)/0x0(0) Next 0x0(0)/0x0(0)/0x0(0)
  Last retransmission scan length is 0, maximum is 0
  Last retransmission scan time is 0 msec, maximum is 0 msec

```

The following example shows the output of the **show ospfv3 interface** command.

```

Device# show ospfv3 interface
GigabitEthernet1/0/1 is up, line protocol is up
  Cryptographic authentication enabled
  Sending SA: Key 25, Algorithm HMAC-SHA-256 - key chain ospf-1
  Last retransmission scan time is 0 msec, maximum is 0 msec

```

## Additional References for OSPFv3 Authentication Trailer

### Related Documents

Related Topic	Document Title
Configuring OSPF features	<i>IP Routing: OSPF Configuration Guide</i>

### Standards and RFCs

Standard/RFC	Document Title
<a href="#">RFC 7166</a>	RFC for Supporting Authentication Trailer for OSPFv3
<a href="#">RFC 6506</a>	RFC for Supporting Authentication Trailer for OSPFv3
<a href="#">RFC 4552</a>	RFC for Authentication/Confidentiality for OSPFv3

## Feature History for OSPFv3 Authentication Trailer

This table provides release and related information for the features explained in this module.

These features are available in all the releases subsequent to the one they were introduced in, unless noted otherwise.

Release	Feature	Feature Information
Cisco IOS XE Fuji 16.8.1a	OSPFv3 Authentication Trailer	OSPFv3 Authentication Trailer feature provides a mechanism to authenticate OSPFv3 protocol packets as an alternative to existing OSPFv3 IPsec authentication.
Cisco IOS XE Cupertino 17.7.1	OSPFv3 Authentication Trailer	Support for this feature was introduced on the C9500X-28C8D model of the Cisco Catalyst 9500 Series Switches.

Use the Cisco Feature Navigator to find information about platform and software image support. To access Cisco Feature Navigator, go to <http://www.cisco.com/go/cfn>.



## CHAPTER 15

# Configuring OSPFv3 BFD

- [Information About OSPFv3 for BFD, on page 193](#)
- [How to Configure OSPFv3 for BFD, on page 193](#)
- [Example: Displaying OSPF Interface Information about BFD, on page 197](#)
- [Additional References, on page 198](#)
- [Feature History for OSPFv3 for BFD, on page 198](#)

## Information About OSPFv3 for BFD

The Bidirectional Forwarding Detection (BFD) protocol supports Open Shortest Path First version 3 (OSPFv3).

## How to Configure OSPFv3 for BFD

### Configuring BFD Support for OSPFv3

This section describes the procedures for configuring BFD support for OSPFv3, so that OSPFv3 is a registered protocol with BFD and will receive forwarding path detection failure messages from BFD. You can either configure BFD support for OSPFv3 globally on all interfaces or configure it selectively on one or more interfaces.

There are two methods for enabling BFD support for OSPFv3:

- You can enable BFD for all of the interfaces for which OSPFv3 is routing by using the **bfd all-interfaces** command in router configuration mode. You can disable BFD support on individual interfaces using the **ipv6 ospf bfd disable** command in interface configuration mode.
- You can enable BFD for a subset of the interfaces for which OSPFv3 is routing by using the **ipv6 ospf bfd** command in interface configuration mode.



---

**Note** OSPF will only initiate BFD sessions for OSPF neighbors that are in the FULL state.

---

## Configuring Baseline BFD Session Parameters on the Interface

Repeat this task for each interface over which you want to run BFD sessions to BFD neighbors.

### Procedure

	Command or Action	Purpose
<b>Step 1</b>	<b>enable</b> <b>Example:</b> Device> <b>enable</b>	Enables privileged EXEC mode. Enter your password if prompted.
<b>Step 2</b>	<b>configure terminal</b> <b>Example:</b> Device# <b>configure terminal</b>	Enters global configuration mode.
<b>Step 3</b>	<b>interface</b> <i>type number</i> <b>Example:</b> Device (config)# <b>interface</b> GigabitEthernet 0/0/0	Specifies an interface type and number, and places the device in interface configuration mode.
<b>Step 4</b>	<b>bfd interval</b> <i>milliseconds min_rx            milliseconds multiplier interval-multiplier</i> <b>Example:</b> Device (config-if)# <b>bfd interval</b> 50 <b>min_rx</b> 50 <b>multiplier</b> 5	Enables BFD on the interface.

## Configuring BFD Support for OSPFv3 for All Interfaces

### Before you begin

OSPFv3 must be running on all participating devices. The baseline parameters for BFD sessions on the interfaces over which you want to run BFD sessions to BFD neighbors must be configured.

### Procedure

	Command or Action	Purpose
<b>Step 1</b>	<b>enable</b> <b>Example:</b> Device> <b>enable</b>	Enables privileged EXEC mode. Enter your password if prompted.
<b>Step 2</b>	<b>configure terminal</b> <b>Example:</b>	Enters global configuration mode.

	Command or Action	Purpose
	Device# <code>configure terminal</code>	
<b>Step 3</b>	<b>ipv6 router ospf</b> <i>process-id</i> [ <b>vrf</b> <i>vpn-name</i> ] <b>Example:</b> Device(config)# <code>ipv6 router ospf 2</code>	Configures an OSPFv3 routing process.
<b>Step 4</b>	<b>bfd all-interfaces</b> <b>Example:</b> Device(config-router)# <code>bfd all-interfaces</code>	Enables BFD for all interfaces participating in the routing process.
<b>Step 5</b>	<b>exit</b> <b>Example:</b> Device(config-router)# <code>exit</code>	Enter this command twice to go to privileged EXEC mode.
<b>Step 6</b>	<b>show bfd neighbors</b> [ <b>vrf</b> <i>vrf-name</i> ] [ <b>client</b> { <b>bgp</b>   <b>eigrp</b>   <b>isis</b>   <b>ospf</b>   <b>rsvp</b>   <b>te-frr</b> }] [ <i>ip-address</i>   <b>ipv6</b> <i>ipv6-address</i> ] [ <b>details</b> ] <b>Example:</b> Device# <code>show bfd neighbors detail</code>	(Optional) Displays a line-by-line listing of existing BFD adjacencies.
<b>Step 7</b>	<b>show ipv6 ospf</b> [ <i>process-id</i> ] [ <i>area-id</i> ] [ <b>rate-limit</b> ] <b>Example:</b> Device# <code>show ipv6 ospf</code>	(Optional) Displays general information about OSPFv3 routing processes.

## Configuring OSPF Support for BFD over IPv4 for One or More Interfaces

To configure BFD on one or more OSPF interfaces, perform the steps in this section.

### Procedure

	Command or Action	Purpose
<b>Step 1</b>	<b>enable</b> <b>Example:</b> Device> <code>enable</code>	Enables privileged EXEC mode. Enter your password if prompted.
<b>Step 2</b>	<b>configure terminal</b> <b>Example:</b> Device# <code>configure terminal</code>	Enters global configuration mode.

	Command or Action	Purpose
<b>Step 3</b>	<b>interface</b> <i>type number</i> <b>Example:</b> Device (config) # <b>interface fastethernet 6/0</b>	Enters interface configuration mode.
<b>Step 4</b>	<b>ip ospf bfd [disable]</b> <b>Example:</b> Device (config-if) # <b>ip ospf bfd</b>	Enables or disables BFD on a per-interface basis for one or more interfaces that are associated with the OSPF routing process.  <b>Note</b> Use the <b>disable</b> keyword only if you enable BFD on all the interfaces that OSPF is associated with using the <b>bfd all-interfaces</b> command in router configuration mode.
<b>Step 5</b>	<b>end</b> <b>Example:</b> Device (config-if) # <b>end</b>	Exits interface configuration mode and returns the device to privileged EXEC mode.
<b>Step 6</b>	<b>show bfd neighbors [details]</b> <b>Example:</b> Device# <b>show bfd neighbors details</b>	(Optional) Displays information that can help verify if the BFD neighbor is active and displays the routing protocols that BFD has registered.  <b>Note</b> If hardware-offloaded BFD sessions are configured with Tx and Rx intervals that are not multiples of 50 ms, the hardware intervals are changed. However, output from the <b>show bfd neighbors details</b> command displays only the configured intervals, not the interval values that change.
<b>Step 7</b>	<b>show ip ospf</b> <b>Example:</b> Device# <b>show ip ospf</b>	(Optional) Displays information that can help verify if BFD support for OSPF has been enabled.

## Retrieving BFDv6 Information for Monitoring and Troubleshooting

### Procedure

	Command or Action	Purpose
<b>Step 1</b>	<b>enable</b> <b>Example:</b> Device> <b>enable</b>	Enables privileged EXEC mode. Enter your password if prompted.
<b>Step 2</b>	<b>monitor event ipv6 static [enable   disable]</b> <b>Example:</b> Device# <b>monitor event ipv6 static enable</b>	Enables the use of event trace to monitor the operation of the IPv6 static and IPv6 static BFDv6 neighbors.
<b>Step 3</b>	<b>show ipv6 static [ipv6-address   ipv6-prefix/prefix-length] [interface type number   recursive] [vrf vrf-name] [bfd] [detail]</b> <b>Example:</b> Device# <b>show ipv6 static vrf vrf1 detail</b>	Displays the BFDv6 status for a static route associated with a static BFDv6 neighbor.
<b>Step 4</b>	<b>show ipv6 static [ipv6-address   ipv6-prefix/prefix-length] [interface type number   recursive] [vrf vrf-name] [bfd] [detail]</b> <b>Example:</b> Device# <b>show ipv6 static vrf vrf1 bfd</b>	Displays static BFDv6 neighbors and associated static routes.
<b>Step 5</b>	<b>debug ipv6 static</b> <b>Example:</b> Device# <b>debug ipv6 static</b>	Enables BFDv6 debugging.

## Example: Displaying OSPF Interface Information about BFD

The following display shows that the OSPF interface is enabled for BFD:

```
Device# show ipv6 ospf interface

Serial10/0 is up, line protocol is up
  Link Local Address FE80::A8BB:CCFF:FE00:6500, Interface ID 42
  Area 1, Process ID 1, Instance ID 0, Router ID 10.0.0.1
  Network Type POINT_TO_POINT, Cost: 64
  Transmit Delay is 1 sec, State POINT_TO_POINT, BFD enabled
  Timer intervals configured, Hello 10, Dead 40, Wait 40, Retransmit 5
  Hello due in 00:00:07
```

```

Index 1/1/1, flood queue length 0
Next 0x0(0)/0x0(0)/0x0(0)
Last flood scan length is 1, maximum is 1
Last flood scan time is 0 msec, maximum is 0 msec
Neighbor Count is 1, Adjacent neighbor count is 1
  Adjacent with neighbor 10.1.0.1
Suppress hello for 0 neighbor(s)

```

## Additional References

### Related Documents

Related Topic	Document Title
OSPFv3 for BFD	<i>Bidirectional Forwarding Detection</i> module

### Standards and RFCs

Standard/RFC	Title
RFCs for IPv6	IPv6 RFCs

## Feature History for OSPFv3 for BFD

This table provides release and related information for the features explained in this module.

These features are available in all the releases subsequent to the one they were introduced in, unless noted otherwise.

Release	Feature	Feature Information
Cisco IOS XE Fuji 16.8.1a	OSPFv3 BFD	The Bidirectional Forwarding Detection (BFD) protocol supports Open Shortest Path First version 3 (OSPFv3).
Cisco IOS XE Cupertino 17.7.1	OSPFv3 BFD	Support for this feature was introduced on the C9500X-28C8D model of the Cisco Catalyst 9500 Series Switches.





## CHAPTER 16

# Configuring OSPFv3 External Path Preference Option

---

- [Information About OSPFv3 External Path Preference Option](#), on page 199
- [Calculating OSPFv3 External Path Preferences per RFC 5340](#), on page 200
- [Example: Calculating OSPFv3 External Path Preferences per RFC 5340](#), on page 200
- [Additional References](#), on page 201
- [Feature History for OSPFv3 External Path Preference Option](#), on page 201

## Information About OSPFv3 External Path Preference Option

The Open Shortest Path First version 3 (OSPFv3) external path preference option feature provides a way to calculate external path preferences per RFC 5340.

### OSPFv3 External Path Preference Option

Per RFC 5340, the following rules indicate which paths are preferred when multiple intra-AS paths are available to ASBRs or forwarding addresses:

- Intra-area paths using nonbackbone areas are always the most preferred.
- The other paths, intraarea backbone paths and interarea paths, are of equal preference.

These rules apply when the same ASBR is reachable through multiple areas, or when trying to decide which of several AS-external-LSAs should be preferred. In the former case the paths all terminate at the same ASBR, and in the latter the paths terminate at separate ASBRs or forwarding addresses. In either case, each path is represented by a separate routing table entry. This feature applies only when RFC 1583 compatibility is set to disabled using the **no compatibility rfc1583** command (RFC 5340 provides an update to RFC 1583).



---

**Caution** To minimize the chance of routing loops, set identical RFC compatibility for all OSPF routers in an OSPF routing domain.

---

## Calculating OSPFv3 External Path Preferences per RFC 5340

### Procedure

	Command or Action	Purpose
<b>Step 1</b>	<b>enable</b> <b>Example:</b> Device> enable	Enables privileged EXEC mode. <ul style="list-style-type: none"> <li>• Enter your password if prompted.</li> </ul>
<b>Step 2</b>	<b>configure terminal</b> <b>Example:</b> Device# configure terminal	Enters global configuration mode.
<b>Step 3</b>	<b>router ospfv3 [process-id]</b> <b>Example:</b> Device(config)# router ospfv3 1	Enables OSPFv3 router configuration mode for the IPv4 or IPv6 address family.
<b>Step 4</b>	<b>no compatible rfc1583</b> <b>Example:</b> Device(config-router)# no compatible rfc1583	Changes the method used to calculate external path preferences per RFC 5340.

## Example: Calculating OSPFv3 External Path Preferences per RFC 5340

```
show ospfv3
```

```
Routing Process "ospfv3 1" with ID 10.1.1.1
  SPF schedule delay 5 secs, Hold time between two SPFs 10 secs
  Minimum LSA interval 5 secs. Minimum LSA arrival 1 secs
  LSA group pacing timer 240 secs
  Interface flood pacing timer 33 msec
  Retransmission pacing timer 66 msec
  Number of external LSA 0. Checksum Sum 0x000000
  Number of areas in this router is 1. 1 normal 0 stub 0 nssa
  Reference bandwidth unit is 100 mbps
RFC 1583 compatibility disabled
  Area BACKBONE(0) (Inactive)
    Number of interfaces in this area is 1
    SPF algorithm executed 1 times
    Number of LSA 1. Checksum Sum 0x00D03D
    Number of DCbitless LSA 0
    Number of indication LSA 0
```

```
Number of DoNotAge LSA 0
Flood list length 0
```

## Additional References

### Related Documents

Related Topic	Document Title
IPv6 addressing and connectivity	<i>IPv6 Configuration Guide</i>
OSPFv3 External Path Preference Option	<i>Configuring OSPF</i> module

### Standards and RFCs

Standard/RFC	Title
RFCs for IPv6	IPv6 RFCs

## Feature History for OSPFv3 External Path Preference Option

This table provides release and related information for the features explained in this module.

These features are available in all the releases subsequent to the one they were introduced in, unless noted otherwise.

Release	Feature	Feature Information
Cisco IOS XE Fuji 16.8.1a	OSPFv3 External Path Preference Option	The Open Shortest Path First version 3 (OSPFv3) external path preference option feature provides a way to calculate external path preferences per RFC 5340.
Cisco IOS XE Cupertino 17.7.1	OSPFv3 External Path Preference Option	Support for this feature was introduced on the C9500X-28C8D model of the Cisco Catalyst 9500 Series Switches.





## CHAPTER 17

# Configuring OSPF Retransmissions Limit

---

- [Restrictions For OSPF Retransmissions Limit, on page 203](#)
- [Overview About OSPF Retransmissions Limit, on page 203](#)
- [Setting OSPF Retransmission Limits, on page 204](#)
- [Example: Configuring OSPF Retransmissions Limit, on page 204](#)
- [Additional References for OSPF Retransmissions Limit, on page 204](#)
- [Feature History for OSPF Retransmissions Limit, on page 205](#)

## Restrictions For OSPF Retransmissions Limit

The limit to the number of retransmissions does not apply for update packets on nonbroadcast multiaccess (NBMA) point-to-multipoint direct circuits. In this situation, the dead timer is used to end communication with non-responding neighbors and thus stop the retransmissions.

## Overview About OSPF Retransmissions Limit

There is a limit to the number of retransmissions of database exchange and update packets for both demand and non-demand circuits. The retransmission of these packets stops once this retry limit is reached, thus preventing unnecessary use of the link in continual retransmission of the packets if, for some reason, a neighbor is not responding during adjacency forming.

The limit for both demand circuit and non-demand circuit retransmissions is 24.

The limit-retransmissions command allows you to either remove (disable) the limit or change the maximum number of retransmissions to be a number from 1 to 255.

## Benefits

The limit-retransmissions command provides for backward compatibility for previous or other releases of Cisco IOS or other routers that do not have this feature.

## Setting OSPF Retransmission Limits

### Procedure

	Command or Action	Purpose
<b>Step 1</b>	<b>enable</b> <b>Example:</b> Device>enable	Enables privileged EXEC mode. <ul style="list-style-type: none"><li>• Enter your password if prompted.</li></ul>
<b>Step 2</b>	<b>configure terminal</b> <b>Example:</b> Device#configure terminal	Enters global configuration mode.
<b>Step 3</b>	<b>router ospf process-ID</b> <b>Example:</b> Device(config)#router ospf 18	Configures OSPF routing process and enters OSPF router configuration mode.
<b>Step 4</b>	<b>limit retransmissions</b> {[dc {max-number   disable}] [non-dc {max-number   disable}]} <b>Example:</b> Device(config-router)#limit retransmissions dc 5	Sets the limit in the number of retransmissions of database exchange and update packets for both demand and non-demand circuits.
<b>Step 5</b>	<b>end</b> <b>Example:</b> Device(config-router)#end	Exits address router configuration mode and returns to privileged EXEC mode.

## Example: Configuring OSPF Retransmissions Limit

The following is an example of configuring OSPF retransmissions limit.

```
router ospf 18
limit retransmissions dc 5
```

## Additional References for OSPF Retransmissions Limit

### Related Documents

Related Topic	Document Title
Configuring OSPF	<i>IP Routing: OSPF Configuration Guide</i>

Related Topic	Document Title
OSPF Commands	<i>IP Routing: OSPF Command Reference</i>

## Feature History for OSPF Retransmissions Limit

This table provides release and related information for the features explained in this module.

These features are available in all the releases subsequent to the one they were introduced in, unless noted otherwise.

Release	Feature	Feature Information
Cisco IOS XE Fuji 16.8.1a	OSPF Retransmissions Limit	The OSPF Retransmissions Limit feature adds a limit to the number of retransmissions of database exchange and update packets for both demand and non-demand circuits.
Cisco IOS XE Cupertino 17.7.1	OSPF Retransmissions Limit	Support for this feature was introduced on the C9500X-28C8D model of the Cisco Catalyst 9500 Series Switches.

Use the Cisco Feature Navigator to find information about platform and software image support. To access Cisco Feature Navigator, go to <http://www.cisco.com/go/cfn>.







# CHAPTER 18

## Configuring OSPFv3 Max-Metric Router LSA

- [Information About OSPFv3 Max-Metric Router LSA, on page 207](#)
- [Configuring the OSPFv3 Max-Metric Router LSA, on page 207](#)
- [Example: Verifying the OSPFv3 Max-Metric Router LSA, on page 208](#)
- [Additional References, on page 209](#)
- [Feature History for OSPFv3 Max-Metric Router LSA, on page 209](#)

### Information About OSPFv3 Max-Metric Router LSA

The Open Shortest Path First version 3 (OSPFv3) max-metric router link-state advertisement (LSA) feature enables OSPFv3 to advertise its locally generated router LSAs with a maximum metric. The feature allows OSPFv3 processes to converge but not attract transit traffic through the device if there are better alternate paths.

The max-metric LSA control places the OSPFv3 router into the stub router role using its LSA advertisement. A stub router only forwards packets destined to go to its directly connected links. In OSPFv3 networks, a device could become a stub router by advertising large metrics for its connected links, so that the cost of a path through this device becomes larger than that of an alternative path. OSPFv3 stub router advertisement allows a device to advertise the infinity metric (0xFFFF) for its connected links in router LSAs and advertise the normal interface cost if the link is a stub network.

### Configuring the OSPFv3 Max-Metric Router LSA

#### Procedure

	Command or Action	Purpose
<b>Step 1</b>	<b>enable</b> <b>Example:</b>  Device> enable	Enables privileged EXEC mode. <ul style="list-style-type: none"><li>• Enter your password if prompted.</li></ul>
<b>Step 2</b>	<b>configure terminal</b> <b>Example:</b>	Enters global configuration mode.

	Command or Action	Purpose
	Device# configure terminal	
<b>Step 3</b>	<b>router ospfv3</b> <i>process-id</i>  <b>Example:</b>  Device(config)# router ospfv3 1	Enables OSPFv3 router configuration mode.
<b>Step 4</b>	<b>address-family ipv6 unicast</b>  <b>Example:</b>  Device(config)# address-family ipv6 unicast	Configures an instance of the OSPFv3 process in the IPv6 address family.
<b>Step 5</b>	<b>max-metric router-lsa</b> [ <b>external-lsa</b> [ <i>max-metric-value</i> ]] [ <b>include-stub</b> ] [ <b>inter-area-lsas</b> [ <i>max-metric-value</i> ]] [ <b>on-startup</b> { <i>seconds</i>   <b>wait-for-bgp</b> }] [ <b>prefix-lsa</b> ] [ <b>stub-prefix-lsa</b> [ <i>max-metric-value</i> ]] [ <b>summary-lsa</b> [ <i>max-metric-value</i> ]]  <b>Example:</b>  Device(config-router-af)# max-metric router-lsa on-startup wait-for-bgp	Configures a device that is running the OSPFv3 protocol to advertise a maximum metric so that other devices do not prefer the device as an intermediate hop in their SPF calculations.
<b>Step 6</b>	<b>end</b>  <b>Example:</b>  Device(config-router-af)# end	Exits address family configuration mode and returns to privileged EXEC mode.
<b>Step 7</b>	<b>show ospfv3</b> [ <i>process-id</i> ] <b>max-metric</b>  <b>Example:</b>  Device# show ospfv3 1 max-metric	Displays OSPFv3 maximum metric origination information.

## Example: Verifying the OSPFv3 Max-Metric Router LSA

```
Device#show ipv6 ospf max-metric

OSPFv3 Router with ID (192.1.1.1) (Process ID 1)

Start time: 00:00:05.886, Time elapsed: 3d02h
Originating router-LSAs with maximum metric
Condition: always, State: active
```

## Additional References

### Related Documents

Related Topic	Document Title
IPv6 addressing and connectivity	<i>IPv6 Configuration Guide</i>
OSPFv3 Max-Metric Router LSA	“ <i>OSPF Link-State Advertisement Throttling</i> ” module

### Standards and RFCs

Standard/RFC	Title
RFCs for IPv6	IPv6 RFCs

## Feature History for OSPFv3 Max-Metric Router LSA

This table provides release and related information for the features explained in this module.

These features are available in all the releases subsequent to the one they were introduced in, unless noted otherwise.

Release	Feature	Feature Information
Cisco IOS XE Fuji 16.8.1a	OSPFv3 Max-Metric Router LSA	The Open Shortest Path First version 3 (OSPFv3) max-metric router link-state advertisement (LSA) feature enables OSPFv3 to advertise its locally generated router LSAs with a maximum metric.
Cisco IOS XE Cupertino 17.7.1	OSPFv3 Max-Metric Router LSA	Support for this feature was introduced on the C9500X-28C8D model of the Cisco Catalyst 9500 Series Switches.

Use the Cisco Feature Navigator to find information about platform and software image support. To access Cisco Feature Navigator, go to <http://www.cisco.com/go/cfn>.





# CHAPTER 19

## Configuring OSPFv3 Demand Circuit Ignore

- [Information About Demand Circuit Ignore Support, on page 211](#)
- [Configuring Demand Circuit Ignore Support for OSPFv3, on page 211](#)
- [Example: Demand Circuit Ignore Support for OSPFv3, on page 212](#)
- [Additional References for OSPFv3 Demand Circuit Ignore, on page 212](#)
- [Feature History for OSPFv3 Demand Circuit Ignore, on page 213](#)

### Information About Demand Circuit Ignore Support

Demand Circuit Ignore Support enables you to prevent an interface from accepting demand-circuit requests from other devices by specifying the ignore keyword in the **ipv6 ospf demand-circuit** command. Demand circuit ignore instructs the router not to accept Demand Circuit (DC) negotiation and is a useful configuration option on the point-to-multipoint interface of the Hub router.

### Configuring Demand Circuit Ignore Support for OSPFv3

#### Procedure

	Command or Action	Purpose
<b>Step 1</b>	<b>enable</b> <b>Example:</b>  Device> enable	Enables privileged EXEC mode. <ul style="list-style-type: none"><li>• Enter your password if prompted.</li></ul>
<b>Step 2</b>	<b>configure terminal</b> <b>Example:</b>  Device# configure terminal	Enters global configuration mode.
<b>Step 3</b>	<b>interface</b> <i>type number</i> <b>Example:</b>	Configures an interface type and number and enters interface configuration mode.

	Command or Action	Purpose
	Device(config)# interface GigabitEthernet 0/1/0	
<b>Step 4</b>	Enter one of the following commands: <ul style="list-style-type: none"> <li>• <b>ipv6 ospf demand-circuit ignore</b></li> <li>• <b>ospfv3 demand-circuit ignore</b></li> </ul> <b>Example:</b>  Device(config-if)# ipv6 ospf demand-circuit ignore  <b>Example:</b>  Device(config-if)# ospfv3 demand-circuit ignore	Prevents an interface from accepting demand-circuit requests from other devices.
<b>Step 5</b>	<b>end</b>  <b>Example:</b>  Device(config-if)# end	Returns to privileged EXEC mode.
<b>Step 6</b>	<b>show ospfv3 process-id [area-id] [address-family] [vrf {vrf-name  * }]</b> <b>interface [type number] [brief]</b>  <b>Example:</b>  Device# show ospfv3 interface GigabitEthernet 0/1/0	(Optional) Displays OSPFv3-related interface information.

## Example: Demand Circuit Ignore Support for OSPFv3

The following example shows how to configure demand circuit ignore support for OSPFv3:

```
Device#interface Serial0/0
ip address 6.1.1.1 255.255.255.0
ipv6 enable
ospfv3 network point-to-multipoint
ospfv3 demand-circuit ignore
ospfv3 1 ipv6 area 0
```

## Additional References for OSPFv3 Demand Circuit Ignore

The following sections provide references related to the OSPFv3 Demand Circuit Ignore feature.

**Related Documents**

Related Topic	Document Title
OSPF configuration tasks	“Configuring OSPF”
OSPF commands	<i>Cisco IOS IP Routing: OSPF Command Reference</i>

**Technical Assistance**

Description	Link
The Cisco Support and Documentation website provides online resources to download documentation, software, and tools. Use these resources to install and configure the software and to troubleshoot and resolve technical issues with Cisco products and technologies. Access to most tools on the Cisco Support and Documentation website requires a Cisco.com user ID and password.	<a href="http://www.cisco.com/cisco/web/support/index.html">http://www.cisco.com/cisco/web/support/index.html</a>

## Feature History for OSPFv3 Demand Circuit Ignore

This table provides release and related information for the features explained in this module.

These features are available in all the releases subsequent to the one they were introduced in, unless noted otherwise.

Release	Feature	Feature Information
Cisco IOS XE Fuji 16.8.1a	OSPFv3 Demand Circuit Ignore	Demand Circuit Ignore Support enables you to prevent an interface from accepting demand-circuit requests from other devices by specifying the <b>ignore</b> keyword in the <b>ipv6 ospf demand-circuit</b> command.
Cisco IOS XE Cupertino 17.7.1	OSPFv3 Demand Circuit Ignore	Support for this feature was introduced on the C9500X-28C8D model of the Cisco Catalyst 9500 Series Switches.







## CHAPTER 20

# Configuring OSPFv3 Limit on Number of Redistributed Routes

---

- [Restrictions for OSPFv3 Limit on Number of Redistributed Routes, on page 215](#)
- [Prerequisites for OSPFv3 Limit on Number of Redistributed Routes, on page 215](#)
- [Information About OSPFv3 Limit on Number of Redistributed Routes, on page 215](#)
- [How to Configure an OSPFv3 Limit on the Number of Redistributed Routes, on page 216](#)
- [Configuration Examples for OSPFv3 Limit on Number of Redistributed Routes, on page 218](#)
- [Monitoring OSPFv3 Limit on Number of Redistributed Routes, on page 219](#)
- [Additional References , on page 219](#)
- [Feature History for OSPFv3 Limit on Number of Redistributed Routes, on page 220](#)

## Restrictions for OSPFv3 Limit on Number of Redistributed Routes

This feature is supported only for the IPv6 address family.

## Prerequisites for OSPFv3 Limit on Number of Redistributed Routes

You must have Open Shortest Path First version 3 (OSPFv3) configured in your network either along with another protocol, or another OSPFv3 process for redistribution.

## Information About OSPFv3 Limit on Number of Redistributed Routes

OSPFv3 supports a user-defined maximum number of prefixes (routes) that can be redistributed into OSPFv3 from other protocols or other OSPFv3 processes. Such a limit helps prevent the device from being flooded by too many redistributed routes

For example, if a large number of IP routes are sent into OSPFv3 for a network that allows redistribution of Border Gateway Protocol (BGP) into OSPFv3, the network can get severely flooded. Limiting the number of redistributed routes prevents this potential problem.

## How to Configure an OSPFv3 Limit on the Number of Redistributed Routes

The following sections provide information on configuring an OSPFv3 limit on the number of redistributed routes.



**Note** The following procedures are mutually exclusive, that is, you can either limit the number of redistributed routes, or request a warning about the number of routes redistributed into OSPFv3.

### Limiting the Number of OSPFv3 Redistributed Routes

This task describes how to limit the number of OSPFv3 redistributed routes. If the number of redistributed routes reaches the maximum value configured, no more routes are redistributed.

#### Procedure

	Command or Action	Purpose
<b>Step 1</b>	<b>enable</b> <b>Example:</b> Device> <b>enable</b>	Enables privileged EXEC mode. Enter your password, if prompted.
<b>Step 2</b>	<b>configure terminal</b> <b>Example:</b> Device# <b>configure terminal</b>	Enters global configuration mode.
<b>Step 3</b>	<b>router ospfv3 <i>process-id</i></b> <b>Example:</b> Device(config)# <b>router ospfv3 1</b>	Configures an OSPFv3 routing process.
<b>Step 4</b>	<b>address-family ipv6 [unicast]</b> <b>Example:</b> Device(config-router)# <b>address-family ipv6 unicast</b>	Enters IPv6 address family configuration mode.
<b>Step 5</b>	<b>redistribute <i>protocol</i> [<i>process-id</i>] [<i>as-number</i>] [include-connected {<b>level-1</b>   <b>level-1-2</b>   <b>level-2</b>}] [<b>metric</b> <i>metric-value</i>] [<b>metric-type</b> <i>type-value</i>] [<b>nssa-only</b>] [<b>tag</b> <i>tag-value</i>] [<b>route-map</b> <i>map-tag</i>]</b>	Redistributes routes from one routing domain into another routing domain.

	Command or Action	Purpose
	<b>Example:</b> Device(config-router-af) # <b>redistribute eigrp 10</b>	
<b>Step 6</b>	<b>redistribute maximum-prefix</b> <i>maximum</i> [ <i>threshold</i> ] <b>Example:</b> Device(config-router-af) # <b>redistribute maximum-prefix 100 80</b>	Sets a maximum number of IPv6 prefixes that are allowed to be redistributed into OSPFv3. <ul style="list-style-type: none"> <li>• There is no default value for the <i>maximum</i> argument.</li> <li>• The <i>threshold</i> value defaults to 75 percent.</li> </ul> <p><b>Note</b> If the <b>warning-only</b> keyword is configured in this command, no limit is enforced; a warning message is logged.</p>
<b>Step 7</b>	<b>exit-address-family</b> <b>Example:</b> Device(config-router-af) # <b>exit-address-family</b>	Exits IPv6 address family configuration mode.
<b>Step 8</b>	<b>end</b> <b>Example:</b> Device(config-router) # <b>end</b>	Exits router configuration mode.

## Requesting a Warning Message About the Number of Routes Redistributed into OSPFv3

To request a warning message when the number of routes redistributed into OSPFv3 exceeds the configuration limit, perform this procedure:

### Procedure

	Command or Action	Purpose
<b>Step 1</b>	<b>enable</b> <b>Example:</b> Device> <b>enable</b>	Enables privileged EXEC mode. Enter your password, if prompted.
<b>Step 2</b>	<b>configure terminal</b> <b>Example:</b> Device# <b>configure terminal</b>	Enters global configuration mode.
<b>Step 3</b>	<b>router ospfv3</b> <i>process-id</i> <b>Example:</b> Device(config) # <b>router ospfv3 1</b>	Configures an OSPFv3 routing process.

	Command or Action	Purpose
Step 4	<b>address-family ipv6 [unicast]</b> <b>Example:</b> Device(config-router)# <b>address-family</b> <b>ipv6 unicast</b>	Enters IPv6 address family configuration mode.
Step 5	<b>redistribute protocol [process-id] [as-number]</b> <b>[include-connected {level-1   level-1-2  </b> <b>level-2} [metric metric-value] [metric-type</b> <b>type-value] [nssa-only] [tag tag-value]</b> <b>[route-map map-tag]</b> <b>Example:</b> Device(config-router-af)# <b>redistribute</b> <b>eigrp 10</b>	Redistributes routes from one routing domain into another routing domain.
Step 6	<b>redistribute maximum-prefix maximum</b> <b>[threshold] [warning-only]</b> <b>Example:</b> Device(config-router-af)# <b>redistribute</b> <b>maximum-prefix 100 80 warning-only</b>	Causes a warning message to be logged when the maximum number of IP prefixes have been redistributed to OSPFv3. <ul style="list-style-type: none"> <li>• Because the <b>warning-only</b> keyword is included, no limit is imposed on the number of redistributed prefixes into OSPFv3.</li> <li>• There is no default value for the <i>maximum</i> argument.</li> <li>• The <i>threshold</i> value defaults to 75 percent.</li> <li>• This example causes two warnings: one at 80 percent of 1000 (800 routes redistributed) and another at 1000 routes redistributed</li> </ul>
Step 7	<b>end</b> <b>Example:</b> Device(config-router)# <b>end</b>	Exits router configuration mode.

## Configuration Examples for OSPFv3 Limit on Number of Redistributed Routes

The following sections provide configuration examples for OSPFv3 limit on number of redistributed routes.

### Example: OSPFv3 Limit on Number of Redistributed Routes

This example shows how to set a maximum of 1200 prefixes that can be redistributed into the OSPFv3 process 1. Prior to reaching the limit, when the number of prefixes that are redistributed reaches 80 percent of 1200

(960 prefixes), a warning message is logged. Another warning message is logged when the limit is reached and no more routes are redistributed.

```
Device> enable
Device# configure terminal
Device(config)# router ospfv3 1
Device(config-router)# address-family ipv6
Device(config-router-af)# redistribute static subnets
Device(config-router-af)# redistribute maximum-prefix 1200 80
```

## Example: Requesting a Warning Message About the Number of Redistributed Routes

This example shows how to enable two warning messages to be logged, the first if the number of prefixes that are redistributed reaches 85 percent of 600 (510 prefixes), and the second if the number of redistributed routes reaches 600. However, the number of redistributed routes is not limited.

```
Device> enable
Device# configure terminal
Device(config)# router ospfv3 11
Device(config-router)# address-family ipv6
Device(config-router-af)# redistribute eigrp 10 subnets
Device(config-router-af)# redistribute maximum-prefix 600 85 warning-only
```

## Monitoring OSPFv3 Limit on Number of Redistributed Routes

Use the privileged EXEC commands in the following table to monitor the limit on the number of redistributed routes.

**Table 12: Commands to Monitor the OSPFv3 Limit on Number of Redistributed Routes**

Command	Purpose
<pre>show ipv6 ospf [process-id] or show ospfv3 ipv6 [process-id]</pre>	Displays general information about the OSPFv3 routing processes. The output includes the maximum limit of redistributed prefixes and the threshold for warning messages.

## Additional References

### Related Documents

Related Topic	Document Title
For complete syntax and usage information for the commands used in this chapter.	See the <i>Routing</i> section of the <i>Command Reference (Catalyst 9500 Series Switches)</i>

## Feature History for OSPFv3 Limit on Number of Redistributed Routes

This table provides release and related information for the features explained in this module.

These features are available in all the releases subsequent to the one they were introduced in, unless noted otherwise.

Release	Feature	Feature Information
Cisco IOS XE Gibraltar 16.11.1	OSPFv3 Limit on Number of Redistributed Routes	OSPFv3 supports a user-defined maximum number of prefixes (routes) that can be redistributed into OSPFv3 from other protocols or other OSPFv3 processes.
Cisco IOS XE Cupertino 17.7.1	OSPFv3 Limit on Number of Redistributed Routes	Support for this feature was introduced on the C9500X-28C8D model of the Cisco Catalyst 9500 Series Switches.

Use the Cisco Feature Navigator to find information about platform and software image support. To access Cisco Feature Navigator, go to <http://www.cisco.com/go/cfn>.



## CHAPTER 21

# Configuring Prefix Suppression Support for OSPFv3

---

- [Prefix Suppression Support for OSPFv3, on page 221](#)
- [Prerequisites for Prefix Suppression Support for OSPFv3, on page 221](#)
- [Information About Prefix Suppression Support for OSPFv3, on page 221](#)
- [How to Configure Prefix Suppression Support for OSPFv3, on page 222](#)
- [Configuration Example: Configuring Prefix Suppression Support for OSPFv3, on page 226](#)
- [Feature History for Prefix Suppression Support for OSPFv3, on page 227](#)

## Prefix Suppression Support for OSPFv3

This feature enables Open Shortest Path First version 3 (OSPFv3) to hide the IPv4 and IPv6 prefixes of connected networks from link-state advertisements (LSAs). When OSPFv3 is deployed in large networks, limiting the number of IPv4 and IPv6 prefixes that are carried in the OSPFv3 LSAs can speed up OSPFv3 convergence.

This feature can also be utilized to enhance the security of an OSPFv3 network by allowing the network administrator to prevent IP routing toward internal nodes.

## Prerequisites for Prefix Suppression Support for OSPFv3

Before you can use the mechanism to exclude IPv4 and IPv6 prefixes from LSAs, the OSPFv3 routing protocol must be configured.

## Information About Prefix Suppression Support for OSPFv3

The following sections provide information about prefix suppression support for OSPFv3

### OSPFv3 Prefix Suppression Support

The OSPFv3 Prefix Suppression Support feature allows you to hide IPv4 and IPv6 prefixes that are configured on interfaces running OSPFv3.

In OSPFv3, addressing semantics have been removed from the OSPF protocol packets and the main LSA types, leaving a network-protocol-independent core. This means that Router-LSAs and network-LSAs no longer contain network addresses, but simply express topology information. The process of hiding prefixes is simpler in OSPFv3 and suppressed prefixes are simply removed from the intra-area-prefix-LSA. Prefixes are also propagated in OSPFv3 via link LSAs.

The OSPFv3 Prefix Suppression feature provides a number of benefits. The exclusion of certain prefixes from advertisements means that there is more memory available for LSA storage, bandwidth and buffers for LSA flooding, and CPU cycles for origination and flooding of LSAs and for SPF computation. Prefixes are also filtered from link LSAs. A device only filters locally configured prefixes, not prefixes learnt via link LSAs. In addition, security has been improved by reducing the possibility of remote attack with the hiding of transit-only networks.

## Globally Suppress IPv4 and IPv6 Prefix Advertisements by Configuring the OSPFv3 Process

You can reduce OSPFv3 convergence time by configuring the OSPFv3 process on a device to prevent the advertisement of all IPv4 and IPv6 prefixes by using the **prefix-suppression** command in router configuration mode or address-family configuration mode.



---

**Note** Prefixes that are associated with loopbacks, secondary IP addresses, and passive interfaces are not suppressed by the **router mode** or the **address-family** configuration commands because typical network designs require prefixes to remain reachable.

---

## Suppress IPv4 and IPv6 Prefix Advertisements on a Per-Interface Basis

You can explicitly configure an OSPFv3 interface not to advertise its IP network to its neighbors by using the **ipv6 ospf prefix-suppression** command or the **ospfv3 prefix-suppression** command in interface configuration mode.



---

**Note** If you have globally suppressed IPv4 and IPv6 prefixes from connected IP networks by configuring the **prefix-suppression** router configuration command, the interface configuration command takes precedence over the router configuration command.

---

## How to Configure Prefix Suppression Support for OSPFv3

The following sections provide configuration examples for prefix suppression support for OSPFv3.



## Configuring Prefix Suppression Support of the OSPFv3 Process

### Procedure

	Command or Action	Purpose
<b>Step 1</b>	<b>enable</b> <b>Example:</b>  Device> enable	Enables privileged EXEC mode.  • Enter your password if prompted.
<b>Step 2</b>	<b>configure terminal</b> <b>Example:</b>  Device# configure terminal	Enters global configuration mode.
<b>Step 3</b>	<b>router ospfv3 <i>process-id</i> [<i>vrf vpn-name</i>]</b> <b>Example:</b>  Device(config)# router ospfv3 23	Configures an OSPFv3 routing process and enters router configuration mode.
<b>Step 4</b>	<b>prefix-suppression</b> <b>Example:</b>  Device(config-router)# prefix-suppression	Prevents OSPFv3 from advertising all IPv4 and IPv6 prefixes, except prefixes that are associated with loopbacks, secondary IP addresses, and passive interfaces.
<b>Step 5</b>	<b>end</b> <b>Example:</b>  Device(config-router)# end	Returns to privileged EXEC mode.
<b>Step 6</b>	<b>show ospfv3</b> <b>Example:</b>  Device# show ospfv3	Displays general information about OSPFv3 routing processes.  <b>Note</b> Use this command to verify that IPv4 and IPv6 prefix suppression has been enabled.

## Configuring Prefix Suppression Support of the OSPFv3 Process in Address-Family Configuration Mode

### Procedure

	Command or Action	Purpose
<b>Step 1</b>	<b>enable</b> <b>Example:</b>	Enables privileged EXEC mode.  • Enter your password if prompted.

	Command or Action	Purpose
	Device> enable	
<b>Step 2</b>	<b>configure terminal</b> <b>Example:</b> Device# configure terminal	Enters global configuration mode.
<b>Step 3</b>	<b>router ospfv3 process-id [vrf vpn-name]</b> <b>Example:</b> Device(config)# router ospfv3 23	Configures an OSPFv3 routing process and enters router configuration mode.
<b>Step 4</b>	<b>address-family ipv6 unicast</b> <b>Example:</b> Device(config-router)# address-family ipv6 unicast	Enters IPv6 address family configuration mode for OSPFv3.
<b>Step 5</b>	<b>prefix-suppression</b> <b>Example:</b> Device(config-router-af)# prefix-suppression	Prevents OSPFv3 from advertising all IPv4 and IPv6 prefixes, except prefixes that are associated with loopbacks, secondary IP addresses, and passive interfaces.
<b>Step 6</b>	<b>end</b> <b>Example:</b> Device(config-router-af)# end	Returns to privileged EXEC mode.
<b>Step 7</b>	<b>show ospfv3</b> <b>Example:</b> Device# show ospfv3	Displays general information about OSPFv3 routing processes.  <b>Note</b> Use this command to verify that IPv4 and IPv6 prefix suppression has been enabled.

## Configuring Prefix Suppression Support on a Per-Interface Basis

### Procedure

	Command or Action	Purpose
<b>Step 1</b>	<b>enable</b> <b>Example:</b> Device> enable	Enables privileged EXEC mode.  • Enter your password if prompted.

	Command or Action	Purpose
<b>Step 2</b>	<b>configure terminal</b> <b>Example:</b>  Device# configure terminal	Enters global configuration mode.
<b>Step 3</b>	<b>interface type number</b> <b>Example:</b>  Device(config)# interface serial 0/0	Configures an interface type and enters interface configuration mode.
<b>Step 4</b>	Do one of the following: <ul style="list-style-type: none"> <li>• <b>ipv6 ospf prefix-suppression [disable]</b></li> <li>• <b>ospfv3 prefix-suppression disable</b></li> </ul> <b>Example:</b> Device(config-if)# ipv6 ospf prefix-suppression <b>Example:</b> Device(config-if)# ospfv3 1 prefix-suppression disable	Prevents OSPFv3 from advertising IPv4 and IPv6 prefixes that belong to a specific interface, except those that are associated with secondary IP addresses.  <ul style="list-style-type: none"> <li>• When you enter the <b>ipv6 ospf prefix-suppression</b> command or the <b>ospfv3 prefix-suppression</b> command in interface configuration mode, it takes precedence over the <b>prefix-suppression</b> command that is entered in router configuration mode.</li> </ul>
<b>Step 5</b>	<b>end</b> <b>Example:</b>  Device(config-if)# end	Returns to privileged EXEC mode.
<b>Step 6</b>	<b>show ospfv3 interface</b> <b>Example:</b>  Device# show ospfv3 interface	Displays OSPFv3-related interface information.  <b>Note</b> Use this command to verify that IPv4 and IPv6 prefix suppression has been enabled for a specific interface.

## Troubleshooting IPv4 and IPv6 Prefix Suppression

### Procedure

	Command or Action	Purpose
<b>Step 1</b>	<b>enable</b> <b>Example:</b>  Device> enable	Enables privileged EXEC mode.  <ul style="list-style-type: none"> <li>• Enter your password if prompted.</li> </ul>

	Command or Action	Purpose
<b>Step 2</b>	<b>debug ospfv3 lsa-generation</b> <b>Example:</b> Device# debug ospfv3 lsa-generation	Displays information about each OSPFv3 LSA that is generated.
<b>Step 3</b>	<b>debug condition interface</b> <i>interface-type</i> <i>interface-number</i> [ <b>dlci</b> <i>dlci</i> ] [ <b>vc</b> { <i>vci</i>   <i>vpi</i>   <i>vci</i> }] <b>Example:</b> Device# debug condition interface serial 0/0	Limits output for some <b>debug</b> commands on the basis of the interface or virtual circuit.
<b>Step 4</b>	<b>show debugging</b> <b>Example:</b> Device# show debugging	Displays information about the types of debugging that are enabled for your device.
<b>Step 5</b>	<b>show logging</b> [ <b>slot</b> <i>slot-number</i>   <b>summary</b> ] <b>Example:</b> Device# show logging	Displays the state of syslog and the contents of the standard system logging buffer.

## Configuration Example: Configuring Prefix Suppression Support for OSPFv3

```
router ospfv3 1
 prefix-suppression
 !
 address-family ipv6 unicast
  router-id 0.0.0.6
 exit-address-family
```

The following example shows how to configure prefix suppression support for OSPFv3 in address-family configuration mode:

```
router ospfv3 1
 !
 address-family ipv6 unicast
  router-id 10.0.0.6
  prefix-suppression
 exit-address-family
```

The following example shows how to configure prefix suppression support for OSPFv3 in interface configuration mode:

```
interface Ethernet0/0
 ip address 10.0.0.1 255.255.255.0
 ipv6 address 2001:201::201/64
```

```
ipv6 enable
ospfv3 prefix-suppression
ospfv3 1 ipv4 area 0
ospfv3 1 ipv6 area 0
end
```

## Feature History for Prefix Suppression Support for OSPFv3

This table provides release and related information for the features explained in this module.

These features are available in all the releases subsequent to the one they were introduced in, unless noted otherwise.

Release	Feature	Feature Information
Cisco IOS XE Fuji 16.8.1a	Prefix Suppression Support for OSPFv3	Prefix Suppression Support for OSPFv3 feature enables Open Shortest Path First version 3 (OSPFv3) to hide the IPv4 and IPv6 prefixes of connected networks from link-state advertisements (LSAs).
Cisco IOS XE Cupertino 17.7.1	Prefix Suppression Support for OSPFv3	Support for this feature was introduced on the C9500X-28C8D model of the Cisco Catalyst 9500 Series Switches.

Use the Cisco Feature Navigator to find information about platform and software image support. To access Cisco Feature Navigator, go to <http://www.cisco.com/go/cfn>.





## CHAPTER 22

# Configuring Graceful Shutdown Support for OSPFv3

- [Information About Graceful Shutdown for OSPFv3, on page 229](#)
- [How to Configure Graceful Shutdown Support for OSPFv3, on page 229](#)
- [Configuration Examples for Graceful Shutdown Support for OSPFv3, on page 231](#)
- [Additional References for Graceful Shutdown Support for OSPFv3, on page 232](#)
- [Feature History for Graceful Shutdown Support for OSPFv3, on page 233](#)

## Information About Graceful Shutdown for OSPFv3

The Graceful Shutdown for OSPFv3 feature provides the ability to temporarily shut down the OSPFv3 protocol in the least disruptive manner and to notify its neighbors that it is going away. All traffic that has another path through the network will be directed to that alternate path. A graceful shutdown of the OSPFv3 protocol can be initiated using the **shutdown** command in router configuration mode or in address family configuration mode.

This feature also provides the ability to shut down OSPFv3 on a specific interface. In this case, OSPFv3 will not advertise the interface or form adjacencies over it; however, all of the OSPFv3 interface configuration will be retained. To initiate a graceful shutdown of an interface, use the **ipv6 ospf shutdown** or the **ospfv3 shutdown** command in interface configuration mode.

## How to Configure Graceful Shutdown Support for OSPFv3

### Configuring Graceful Shutdown of the OSPFv3 Process

#### Procedure

	Command or Action	Purpose
Step 1	<b>enable</b>  <b>Example:</b> Device> <b>enable</b>	Enables privileged EXEC mode.  Enter your password if prompted.

	Command or Action	Purpose
<b>Step 2</b>	<b>configure terminal</b> <b>Example:</b> Device# <b>configure terminal</b>	Enters global configuration mode.
<b>Step 3</b>	Do one of the following: <ul style="list-style-type: none"> <li>• <b>ipv6 router ospf process-id</b></li> <li>• <b>router ospfv3 process-id</b></li> </ul> <b>Example:</b> Device (config)# <b>ipv6 router ospf 1</b> <b>Example:</b> Device (config)# <b>router ospfv3 101</b>	Enables OSPFv3 routing and enters router configuration mode.
<b>Step 4</b>	<b>shutdown</b> <b>Example:</b> Device (config-router)# <b>shutdown</b>	Shuts down the selected interface.
<b>Step 5</b>	<b>end</b> <b>Example:</b> Device (config-router)# <b>end</b>	Returns to privileged EXEC mode.
<b>Step 6</b>	Do one of the following: <ul style="list-style-type: none"> <li>• <b>show ipv6 ospf [process-id]</b></li> <li>• <b>show ospfv3 [process-id]</b></li> </ul> <b>Example:</b> Device# <b>show ipv6 ospf</b> <b>Example:</b> Device# <b>show ospfv3</b>	(Optional) Displays general information about OSPFv3 routing processes.

## Configuring Graceful Shutdown of the OSPFv3 Process in Address-Family Configuration Mode

### Procedure

	Command or Action	Purpose
<b>Step 1</b>	<b>enable</b> <b>Example:</b> Device> <b>enable</b>	Enables privileged EXEC mode. Enter your password if prompted.



	Command or Action	Purpose
<b>Step 2</b>	<b>configure terminal</b> <b>Example:</b>  Device# <b>configure terminal</b>	Enters global configuration mode.
<b>Step 3</b>	<b>router ospfv3</b> [ <i>process-id</i> ] <b>Example:</b>  Device(config)# <b>router ospfv3 1</b>	Enables router configuration mode for the IPv6 address family.
<b>Step 4</b>	<b>address-family ipv6 unicast</b> [ <i>vrf vrf-name</i> ] <b>Example:</b>  Device(config-router)# <b>address-family ipv6</b>	Enters IPv6 address family configuration mode for OSPFv3.
<b>Step 5</b>	<b>shutdown</b> <b>Example:</b>  Device(config-router-af)# <b>shutdown</b>	Shuts down the selected interface.
<b>Step 6</b>	<b>end</b> <b>Example:</b>  Device(config-router-af)# <b>end</b>	Returns to privileged EXEC mode.
<b>Step 7</b>	<b>show ospfv3</b> [ <i>process-id</i> ] <b>Example:</b>  Device# <b>show ospfv3</b>	(Optional) Displays general information about OSPFv3 routing processes.

## Configuration Examples for Graceful Shutdown Support for OSPFv3

The following sections provide the various configuration examples for graceful shutdown support for OSPFv3.

### Example: Configuring Graceful Shutdown of the OSPFv3 Process

The following example shows how to configure graceful shutdown of the OSPFv3 process in IPv6 router OSPF configuration mode configuration mode:

```
ipv6 router ospf 6
 router-id 10.10.10.10
 shutdown
```

The following example shows how to configure graceful shutdown of the OSPFv3 process in router OSPFv3 configuration mode:

```

!
router ospfv3 1
 shutdown
!
address-family ipv6 unicast
 exit-address-family

```

The following example shows how to configure graceful shutdown of the OSPFv3 process in address-family configuration mode:

```

!
router ospfv3 1
!
address-family ipv6 unicast
 shutdown
 exit-address-family

```

## Example: Configuring Graceful Shutdown of the OSPFv3 Interface

The following example shows how to configure graceful shutdown of the OSPFv3 interface using the **ipv6 ospf shutdown** command:

```

!
interface Serial2/1
 no ip address
 ipv6 enable
 ipv6 ospf 6 area 0
 ipv6 ospf shutdown
 serial restart-delay 0
 end

```

The following example shows how to configure graceful shutdown of the OSPFv3 interface using the **ospfv3 shutdown** command:

```

!
interface Serial2/0
 ip address 10.10.10.10 255.255.255.0
 ip ospf 1 area 0
 ipv6 enable
 ospfv3 shutdown
 ospfv3 1 ipv6 area 0
 serial restart-delay 0
 end

```

## Additional References for Graceful Shutdown Support for OSPFv3

### Related Documents

Related Topic	Document Title
Configuring OSPF	“Configuring OSPF”
OSPF commands	<i>Cisco IOS IP Routing: OSPF Command Reference</i>

## Feature History for Graceful Shutdown Support for OSPFv3

This table provides release and related information for the features explained in this module.

These features are available in all the releases subsequent to the one they were introduced in, unless noted otherwise.

Release	Feature	Feature Information
Cisco IOS XE Fuji 16.8.1a	Graceful Shutdown Support for OSPFv3	Graceful Shutdown Support for OSPFv3 feature provides the ability to temporarily shut down an Open Shortest Path First version 3 (OSPFv3) process or interface in the least disruptive manner, and to notify its neighbors that it is going away
Cisco IOS XE Cupertino 17.7.1	Graceful Shutdown Support for OSPFv3	Support for this feature was introduced on the C9500X-28C8D model of the Cisco Catalyst 9500 Series Switches.

Use the Cisco Feature Navigator to find information about platform and software image support. To access Cisco Feature Navigator, go to <http://www.cisco.com/go/cfn>.





## CHAPTER 23

# Configuring NSSA for OSPFv2

- [Information About Configuring NSSA for OSPF](#), on page 235
- [How to Configure NSSA for OSPF](#), on page 238
- [Configuration Examples for OSPF NSSA](#), on page 241
- [Additional References for OSPF Not-So-Stubby Areas \(NSSA\)](#), on page 250
- [Feature History for NSSA for OSPFv2](#), on page 250

## Information About Configuring NSSA for OSPF

### Characteristics of RFC 3101

RFC 3101 describes the following features:

- Provides an option of importing OSPF summary routes into a Not-So-Stubby Area (NSSA) as Type-3 summary-Link State Advertisement (LSA).
- Refines the setting of the forwarding address in Type-7 LSAs.
- Revises the Type-7 external route calculation.
- Strengthens the process of translating Type-7 LSAs into Type-5 LSAs.
- Modifies the process of flushing translated Type-7 LSAs.
- Defines the P-bit (propagate bit) default as clear.

### RFC 1587 Compliance

RFC 3101 compliance is automatically enabled on the devices. Use the **compatible rfc1587** command in router configuration mode to revert to route selection that is based on RFC 1587. When you configure the device to be compatible with RFC 1587, the device performs the following actions:

- Reverts the route selection process to RFC 1587.
- Configures Autonomous System Border Router (ASBR) to configure the P (propagate bit) and zero-forwarding address.
- Disables always translating Area Border Router (ABR).

## ABR as NSSA Link State Advertisement Translator

Use the Not-So-Stubby Area (NSSA) for Open Shortest Path First version 2 (OSPFv2) feature to simplify administration in a network that connects a central site that uses OSPF to a remote site that is using a different routing protocol.

When the NSSA feature was not implemented, the connection between the border device at the corporate site and the remote device was not established as an OSPF stub area due to following reasons:

- Routes for the remote site were not redistributed into the stub area.
- Two routing protocols had to be maintained.

A protocol such as Routing Information Protocol (RIP) is run to handle the redistribution.

By implementing NSSA, you can extend OSPF to include the remote connection by defining the area between the border device at the corporate site and the remote device as an NSSA.

As with OSPF stub areas, NSSA areas cannot be injected with distributed routes via Type 5 Link State Advertisement (LSA). Route redistribution into an NSSA area is possible only with Type 7 LSA. An NSSA Autonomous System Border Router (ASBR) generates the Type 7 LSA, and an NSSA Area Border Router (ABR) translates the Type 7 LSA into a Type 5 LSA. These LSAs can be flooded throughout the OSPF routing domain. Route summarization and filtering are supported during the translation.

Route summarization is the consolidation of advertised addresses. This feature enables an ABR to advertise a single summary route to other areas. If the network numbers in an area are assigned in a way such that they are contiguous, you can configure the ABR to advertise a summary route that covers all the individual networks within the area that fall into the specified range.

When routes from other protocols are redistributed to OSPF area, each route is advertised individually in an external LSA. However, you can configure the Cisco IOS software to advertise a single route with a specified network address and mask for all the redistributed routes that are covered by a specified network address and mask. Thus, the size of the OSPF link-state database decreases.

RFC 3101 allows you to configure an NSSA ABR device as a forced NSSA LSA translator.



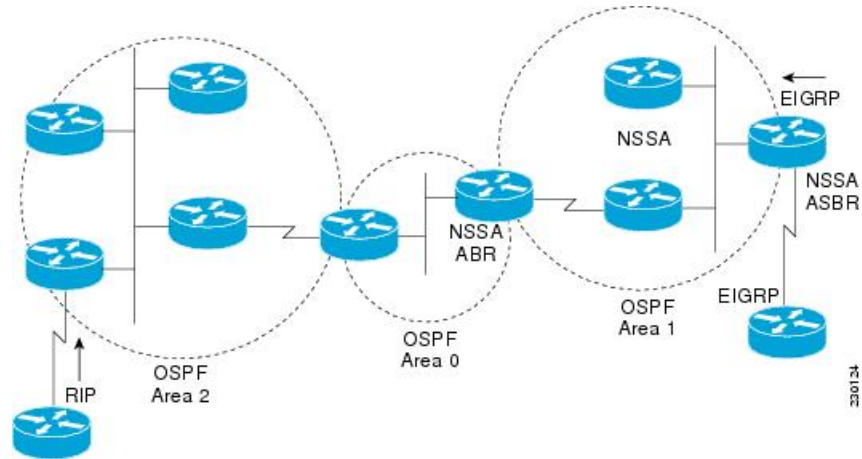
---

**Note** Even a forced translator might not translate all LSAs; translation depends on the content of each LSA.

---

The figure below shows a network diagram in which OSPF Area 1 is defined as the stub area. The Enhanced Interior Gateway Routing Protocol (EIGRP) routes are not propagated into the OSPF domain because routing redistribution is not allowed in the stub area. However, once OSPF Area 1 is defined as an NSSA, an NSSA ASBR can include the EIGRP routes to the OSPF NSSA by generating Type 7 LSAs.

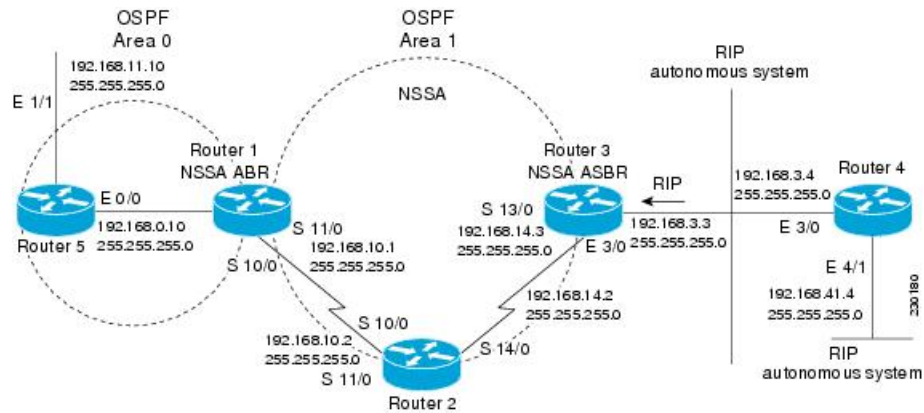
Figure 8: OSPF NSSA



The redistributed routes from the RIP device are not allowed into OSPF Area 1 because NSSA is an extension to the stub area. The stub area characteristics still exist, including the exclusion of Type 5 LSAs.

The figure below shows the OSPF stub network with NSSA Area 1. The redistributed routes that Device 4 is propagating from the two RIP networks is translated into Type 7 LSAs by NSSA ASBR Device 3. Device 2, which is configured to be the NSSA ABR, translates the Type 7 LSAs back to Type 5 so that they can be flooded through the rest of the OSPF stub network within OSPF Area 0.

Figure 9: OSPF NSSA Network with NSSA ABR and ASBR Devices



# How to Configure NSSA for OSPF

## Configuring an OSPFv2 NSSA Area and Its Parameters

### Procedure

	Command or Action	Purpose
<b>Step 1</b>	<b>enable</b> <b>Example:</b> Device>enable	Enables privileged EXEC mode. <ul style="list-style-type: none"> <li>• Enter your password if prompted.</li> </ul>
<b>Step 2</b>	<b>configure terminal</b> <b>Example:</b> Device#configure terminal	Enters global configuration mode.
<b>Step 3</b>	<b>router ospf process-id</b> <b>Example:</b> Device(config)#router ospf 10	Enables OSPF routing and enters router configuration mode. <ul style="list-style-type: none"> <li>• The <i>process-id</i> argument identifies the OSPF process. The range is from 1 to 65535.</li> </ul>
<b>Step 4</b>	<b>redistribute protocol [process-id] {level-1   level-1-2   level-2}</b> <b>[autonomous-system-number] [metric {metric-value   transparent}] [metric-type type-value] [match {internal   external 1   external 2}] [tag tag-value] [route-map map-tag] [subnets] [nssa-only]</b> <b>Example:</b> Device(config-router)#redistribute rip subnets	Redistributes routes from one routing domain to another routing domain. <ul style="list-style-type: none"> <li>• In the example, Routing Information Protocol (RIP) subnets are redistributed into the OSPF domain.</li> </ul>
<b>Step 5</b>	<b>network ip-address wildcard-mask area area-id</b> <b>Example:</b> Device(config-router)#network 192.168.129.11 0.0.0.255 area 1	Defines the interfaces on which OSPF runs and the area ID for those interfaces.
<b>Step 6</b>	<b>area area-id nssa [no-redistribution] [default-information-originate [metric] [metric-type]] [no-summary] [nssa-only]</b> <b>Example:</b>	Configures a Not-So-Stubby Area (NSSA) area.



	Command or Action	Purpose
	<code>Device(config-router)#area 1 nssa</code>	
<b>Step 7</b>	<b>summary-address</b> <i>prefix mask</i> [ <b>not-advertise</b> ] [ <b>tag tag</b> ] [ <b>nssa-only</b> ] <b>Example:</b> <code>Device(config-router)#summary-address            10.1.0.0 255.255.0.0 not-advertise</code>	Controls the route summarization and filtering during the translation and limits the summary to NSSA areas.
<b>Step 8</b>	<b>end</b> <b>Example:</b> <code>Device(config-router)#end</code>	Exits router configuration mode and returns to privileged EXEC mode.

## Configuring an NSSA ABR as a Forced NSSA LSA Translator

### Procedure

	Command or Action	Purpose
<b>Step 1</b>	<b>enable</b> <b>Example:</b> <code>Device&gt;enable</code>	Enables privileged EXEC mode. <ul style="list-style-type: none"> <li>• Enter your password if prompted.</li> </ul>
<b>Step 2</b>	<b>configure terminal</b> <b>Example:</b> <code>Device#configure terminal</code>	Enters global configuration mode.
<b>Step 3</b>	<b>router ospf</b> <i>process-id</i> <b>Example:</b> <code>Device(config)#router ospf 1</code>	Enables OSPF routing and enters router configuration mode. <ul style="list-style-type: none"> <li>• The <i>process-id</i> argument identifies the OSPF process. The range is from 1 to 65535.</li> </ul>
<b>Step 4</b>	<b>area</b> <i>area-id</i> <b>nssa translate type7 always</b> <b>Example:</b> <code>Device(config-router)#area 10 nssa            translate type7 always</code>	Configures a Not-So-Stubby Area Area Border Router (NSSA ABR) device as a forced NSSA Link State Advertisement (LSA) translator.

	Command or Action	Purpose
		<p><b>Note</b> You can use the <b>always</b> keyword in the <b>area nssa translate</b> command to configure an NSSA ABR device as a forced NSSA LSA translator. This command can be used if RFC 3101 is disabled and RFC 1587 is used.</p>
<b>Step 5</b>	<p><b>area <i>area-id</i> nssa translate type7 suppress-fa</b></p> <p><b>Example:</b></p> <pre>Device(config-router)#area 10 nssa translate type7 suppress-fa</pre>	Allows ABR to suppress the forwarding address in translated Type-5 LSA.
<b>Step 6</b>	<p><b>end</b></p> <p><b>Example:</b></p> <pre>Device(config-router)#end</pre>	Exits router configuration mode and returns to privileged EXEC mode.

## Disabling RFC 3101 Compatibility and Enabling RFC 1587 Compatibility

### Procedure

	Command or Action	Purpose
<b>Step 1</b>	<p><b>enable</b></p> <p><b>Example:</b></p> <pre>Device&gt;enable</pre>	<p>Enables privileged EXEC mode.</p> <ul style="list-style-type: none"> <li>• Enter your password if prompted.</li> </ul>
<b>Step 2</b>	<p><b>configure terminal</b></p> <p><b>Example:</b></p> <pre>Device#configure terminal</pre>	Enters global configuration mode.
<b>Step 3</b>	<p><b>router ospf <i>process-id</i></b></p> <p><b>Example:</b></p> <pre>Device(config)#router ospf 1</pre>	<p>Enables OSPF routing and enters router configuration mode.</p> <ul style="list-style-type: none"> <li>• The <i>process-id</i> argument identifies the OSPF process.</li> <li>• Use <b>router ospf <i>process-id</i></b> command to enable OSPFv2 routing.</li> </ul>

	Command or Action	Purpose
<b>Step 4</b>	<b>compatible rfc1587</b> <b>Example:</b> Device(config-router)#compatible rfc1587	Enables the device to be RFC 1587 compliant.
<b>Step 5</b>	<b>end</b> <b>Example:</b> Device(config-router)#end	Exits router configuration mode and returns to privileged EXEC mode.

## Configuration Examples for OSPF NSSA

### Example: Configuring OSPF NSSA

In the following example, an Open Shortest Path First (OSPF) stub network is configured to include OSPF Area 0 and OSPF Area 1, using five devices. Device 3 is configured as the NSSA Autonomous System Border Router (ASBR). Device 2 configured to be the NSSA Area Border Router (ABR). OSPF Area 1 is defined as a Not-So-Stubby Area (NSSA).

#### Device 1

```
Device#hostname Device1
!
interface Loopback1
 ip address 10.1.0.1 255.255.255.255
!
interface Ethernet0/0
 ip address 192.168.0.1 255.255.255.0
 ip ospf 1 area 0
 no cdp enable
!
interface Serial10/0
 description Device2 interface s11/0
 ip address 192.168.10.1 255.255.255.0
 ip ospf 1 area 1
 serial restart-delay 0
 no cdp enable
!
router ospf 1
 area 1 nssa
!
end
```

#### Device 2

```
Device#hostname Device2
!
!
interface Loopback1
 ip address 10.1.0.2 255.255.255.255
!
interface Serial10/0
```

```

description Device1 interface s11/0
no ip address
shutdown
serial restart-delay 0
no cdp enable
!
interface Serial11/0
description Device1 interface s10/0
ip address 192.168.10.2 255.255.255.0
ip ospf 1 area 1
serial restart-delay 0
no cdp enable
!
interface Serial14/0
description Device3 interface s13/0
ip address 192.168.14.2 255.255.255.0
ip ospf 1 area 1
serial restart-delay 0
no cdp enable
!
router ospf 1
area 1 nssa
!
end

```

### Device 3

```

Device#hostname Device3
!
interface Loopback1
ip address 10.1.0.3 255.255.255.255
!
interface Ethernet3/0
ip address 192.168.3.3 255.255.255.0
no cdp enable
!
interface Serial13/0
description Device2 interface s14/0
ip address 192.168.14.3 255.255.255.0
ip ospf 1 area 1
serial restart-delay 0
no cdp enable
!
router ospf 1
log-adjacency-changes
area 1 nssa
redistribute rip subnets
!
router rip
version 2
redistribute ospf 1 metric 15
network 192.168.3.0
end

```

### Device 4

```

Device#hostname Device4
!
interface Loopback1
ip address 10.1.0.4 255.255.255.255
!
interface Ethernet3/0
ip address 192.168.3.4 255.255.255.0

```

```

no cdp enable
!
interface Ethernet4/1
 ip address 192.168.41.4 255.255.255.0
!
router rip
 version 2
 network 192.168.3.0
 network 192.168.41.0
!
end

```

### Device 5

```

Device#hostname Device5
!
interface Loopback1
 ip address 10.1.0.5 255.255.255.255
!
interface Ethernet0/0
 ip address 192.168.0.10 255.255.255.0
 ip ospf 1 area 0
 no cdp enable
!
interface Ethernet1/1
 ip address 192.168.11.10 255.255.255.0
 ip ospf 1 area 0
!
router ospf 1
!
end

```

## Example: OSPF NSSA Area with RFC 3101 Disabled and RFC 1587 Active

In the following example, the output for the **show ip ospf** and **show ip ospf database nssa** commands shows an Open Shortest Path First Not-So-Stubby Area (OSPF NSSA) area where RFC 3101 is disabled, RFC 1587 is active, and an NSSA Area Border Router (ABR) device is configured as a forced NSSA LSA translator. If RFC 3101 is disabled, the forced NSSA LSA translator remains inactive.

```

Device#show ip ospf

Routing Process "ospf 1" with ID 10.0.2.1
Start time: 00:00:25.512, Time elapsed: 00:01:02.200
Supports only single TOS(TOS0) routes
Supports opaque LSA
Supports Link-local Signaling (LLS)
Supports area transit capability
Supports NSSA (compatible with RFC 1587)
Event-log enabled, Maximum number of events: 1000, Mode: cyclic
Router is not originating router-LSAs with maximum metric
Initial SPF schedule delay 5000 msec
Minimum hold time between two consecutive SPF's 10000 msec
Maximum wait time between two consecutive SPF's 10000 msec
Incremental-SPF disabled
Minimum LSA interval 5 secs
Minimum LSA arrival 1000 msec
LSA group pacing timer 240 secs
Interface flood pacing timer 33 msec
Retransmission pacing timer 66 msec
Number of external LSA 0. Checksum Sum 0x000000
Number of opaque AS LSA 0. Checksum Sum 0x000000

```

## Example: OSPF NSSA Area with RFC 3101 Disabled and RFC 1587 Active

```

Number of DCbitless external and opaque AS LSA 0
Number of DoNotAge external and opaque AS LSA 0
Number of areas in this router is 1. 0 normal 0 stub 1 nssa
Number of areas transit capable is 0
External flood list length 0
IETF NSF helper support enabled
Cisco NSF helper support enabled
Reference bandwidth unit is 100 mbps
Area 1
Number of interfaces in this area is 1
It is a NSSA area
Configured to translate Type-7 LSAs, inactive (RFC3101 support
disabled)
Area has no authentication
SPF algorithm last executed 00:00:07.160 ago
SPF algorithm executed 3 times
Area ranges are
Number of LSA 3. Checksum Sum 0x0245F0
Number of opaque link LSA 0. Checksum Sum 0x000000
Number of DCbitless LSA 0
Number of indication LSA 0
Number of DoNotAge LSA 0
Flood list length 0

```

The table below describes the **show ip ospf** display fields and their descriptions.

**Table 13: show ip ospf Field Descriptions**

Field	Description
Supports NSSA (compatible with RFC 1587)	Specifies that RFC 1587 is active or that the OSPF NSSA area is RFC 1587 compatible.
Configured to translate Type-7 LSAs, inactive (RFC3101 support disabled)	Specifies that OSPF NSSA area has an ABR device configured to act as a forced translator of Type 7 LSAs. However, it is inactive because RFC 3101 is disabled

```
Device2# show ip ospf database nssa
```

```

Router Link States (Area 1)
LS age: 28
Options: (No TOS-capability, DC)
LS Type: Router Links
Link State ID: 10.0.2.1
Advertising Router: 10.0.2.1
LS Seq Number: 80000004
Checksum: 0x5CA2
Length: 36
Area Border Router
AS Boundary Router
Unconditional NSSA translator
Number of Links: 1
Link connected to: a Stub Network
(Link ID) Network/subnet number: 192.0.2.5
(Link Data) Network Mask: 255.255.255.0
Number of MTID metrics: 0
TOS 0 Metrics: 10

```

The table below describes the **show ip ospf database nssa** display fields and their descriptions.

Table 14: show ip ospf database nssa Field Descriptions

Field	Description
Unconditional NSSA translator	Specifies that NSSA ASBR device is a forced NSSA LSA translator

## Example: Verifying OSPF NSSA

The following is sample output from the **show ip ospf** command. The output displays that OSPF Area 1 is an NSSA area.

```
Device2#show ip ospf

Routing Process "ospf 1" with ID 10.1.0.2
Start time: 00:00:01.392, Time elapsed: 12:03:09.480
Supports only single TOS(TOS0) routes
Supports opaque LSA
Supports Link-local Signaling (LLS)
Supports area transit capability
Router is not originating router-LSAs with maximum metric
Initial SPF schedule delay 5000 msec
Minimum hold time between two consecutive SPF's 10000 msec
Maximum wait time between two consecutive SPF's 10000 msec
Incremental-SPF disabled
Minimum LSA interval 5 secs
Minimum LSA arrival 1000 msec
LSA group pacing timer 240 secs
Interface flood pacing timer 33 msec
Retransmission pacing timer 66 msec
Number of external LSA 0. Checksum Sum 0x000000
Number of opaque AS LSA 0. Checksum Sum 0x000000
Number of DCbitless external and opaque AS LSA 0
Number of DoNotAge external and opaque AS LSA 0
Number of areas in this router is 1. 0 normal 0 stub 1 nssa
Number of areas transit capable is 0
External flood list length 0
  Area 1
    Number of interfaces in this area is 2
  ! It is a NSSA area
    Area has no authentication
    SPF algorithm last executed 11:37:58.836 ago
    SPF algorithm executed 3 times
    Area ranges are
    Number of LSA 7. Checksum Sum 0x045598
    Number of opaque link LSA 0. Checksum Sum 0x000000
    Number of DCbitless LSA 0
    Number of indication LSA 0
    Number of DoNotAge LSA 0
    Flood list length 0
```

```
Device2#show ip ospf data

          OSPF Router with ID (10.1.0.2) (Process ID 1)
Router Link States (Area 1)
Link ID          ADV Router      Age           Seq#           Checksum Link count
10.1.0.1         10.1.0.1        1990          0x80000016    0x00CBCB 2
10.1.0.2         10.1.0.2        1753          0x80000016    0x009371 4
10.1.0.3         10.1.0.3        1903          0x80000016    0x004149 2
```

```

Summary Net Link States (Area 1)
Link ID          ADV Router      Age           Seq#           Checksum
192.168.0.0     10.1.0.1       1990         0x80000017   0x00A605
192.168.11.0    10.1.0.1       1990         0x80000015   0x009503

Type-7 AS External Link States (Area 1)
Link ID          ADV Router      Age           Seq#           Checksum Tag
192.168.3.0     10.1.0.3       1903         0x80000015   0x00484F 0
192.168.41.0    10.1.0.3       1903         0x80000015   0x00A4CC 0

```

The following is sample output from the **show ip ospf database data** command. The output displays additional information about redistribution between Type 5 and Type 7 LSAs for routes that are injected into the NSSA area and then flooded through the OSPF network.

```

Device2#show ip ospf database data

                OSPF Router with ID (10.1.0.2) (Process ID 1)
Area 1 database summary
  LSA Type      Count  Delete  Maxage
  Router        3      0       0
  Network       0      0       0
  Summary Net   2      0       0
  Summary ASBR  0      0       0
  Type-7 Ext    2      0       0

Prefixes redistributed in Type-7  0
  Opaque Link  0      0       0
  Opaque Area  0      0       0
  Subtotal     7      0       0

Process 1 database summary
  LSA Type      Count  Delete  Maxage
  Router        3      0       0
  Network       0      0       0
  Summary Net   2      0       0
  Summary ASBR  0      0       0
  Type-7 Ext    2      0       0
  Opaque Link   0      0       0
  Opaque Area   0      0       0
  Type-5 Ext    0      0       0

Prefixes redistributed in Type-5  0
  Opaque AS     0      0       0
  Total         7      0       0

```

The following is sample output from the **show ip ospf database nssa** command. The output displays detailed information for Type 7 to Type 5 translations:

```

Device2#show ip ospf database nssa

                OSPF Router with ID (10.1.0.2) (Process ID 1)
Type-7 AS External Link States (Area 1)
Routing Bit Set on this LSA
LS age: 1903
Options: (No TOS-capability, Type 7/5 translation, DC)
LS Type: AS External Link
Link State ID: 192.168.3.0 (External Network Number )
Advertising Router: 10.1.0.3
LS Seq Number: 80000015
Checksum: 0x484F
Length: 36
Network Mask: /24

```



```

Metric Type: 2 (Larger than any link state path)
TOS: 0
Metric: 20
Forward Address: 192.168.14.3
External Route Tag: 0
Routing Bit Set on this LSA
LS age: 1903
! Options: (No TOS-capability, Type 7/5 translation, DC)
LS Type: AS External Link
Link State ID: 192.168.41.0 (External Network Number )
Advertising Router: 10.1.0.3
LS Seq Number: 80000015
Checksum: 0xA4CC
Length: 36
Network Mask: /24
Metric Type: 2 (Larger than any link state path)
TOS: 0
Metric: 20
Forward Address: 192.168.14.3
External Route Tag: 0

```

The following sample output from the **show ip ospf** command displays that the device is acting as an ASBR and OSPF Area 1 is configured as an NSSA area:

```

Device3#show ip ospf

Routing Process "ospf 1" with ID 10.1.0.3
Start time: 00:00:01.392, Time elapsed: 12:02:34.572
Supports only single TOS(TOS0) routes
Supports opaque LSA
Supports Link-local Signaling (LLS)
Supports area transit capability
!It is an autonomous system boundary router
Redistributing External Routes from,
    rip, includes subnets in redistribution
Router is not originating router-LSAs with maximum metric
Initial SPF schedule delay 5000 msec
Minimum hold time between two consecutive SPF's 10000 msec
Maximum wait time between two consecutive SPF's 10000 msec
Incremental-SPF disabled
Minimum LSA interval 5 secs
Minimum LSA arrival 1000 msec
LSA group pacing timer 240 secs
Interface flood pacing timer 33 msec
Retransmission pacing timer 66 msec
Number of external LSA 0. Checksum Sum 0x000000
Number of opaque AS LSA 0. Checksum Sum 0x000000
Number of DCbitless external and opaque AS LSA 0
Number of DoNotAge external and opaque AS LSA 0
Number of areas in this router is 1. 0 normal 0 stub 1 nssa
Number of areas transit capable is 0
External flood list length 0
    Area 1
    Number of interfaces in this area is 1
! It is a NSSA area
    Area has no authentication
    SPF algorithm last executed 11:38:13.368 ago
    SPF algorithm executed 3 times
    Area ranges are
    Number of LSA 7. Checksum Sum 0x050CF7
    Number of opaque link LSA 0. Checksum Sum 0x000000
    Number of DCbitless LSA 0
    Number of indication LSA 0

```

```

Number of DoNotAge LSA 0
Flood list length 0

```

The table below describes the significant fields shown in the **show ip ospf** command output.

**Table 15: show ip ospf Field Descriptions**

Field	Description
Routing process "ospf 1" with ID 10.1.0.3	Process ID and OSPF router ID.
Supports ...	Number of types of service supported (Type 0 only).
Summary Link update interval	Specifies summary update interval in hours:minutes:seconds, and time until next update.
External Link update interval	Specifies external update interval in hours:minutes:seconds, and time until next update.
Redistributing External Routes from	Lists of redistributed routes, by protocol.
SPF calculations	Lists start, hold, and maximum wait interval values in milliseconds.
Number of areas	Number of areas in router, area addresses, and so on.
SPF algorithm last executed	Shows the last time an SPF calculation was performed in response to topology change event records.
Link State Update Interval	Specifies router and network link-state update interval in hours:minutes:seconds, and time until next update.
Link State Age Interval	Specifies max-aged update deletion interval, and time until next database cleanup, in hours:minutes:seconds.

### Example: OSPF NSSA Area with RFC 3101 Disabled and RFC 1587 Active

In the following example, the output for the **show ip ospf** and **show ip ospf database nssa** commands shows an Open Shortest Path First Not-So-Stubby Area (OSPF NSSA) area where RFC 3101 is disabled, RFC 1587 is active, and an NSSA Area Border Router (ABR) device is configured as a forced NSSA LSA translator. If RFC 3101 is disabled, the forced NSSA LSA translator remains inactive.

```
Device#show ip ospf
```

```

Routing Process "ospf 1" with ID 10.0.2.1
Start time: 00:00:25.512, Time elapsed: 00:01:02.200
Supports only single TOS(TOS0) routes
Supports opaque LSA
Supports Link-local Signaling (LLS)
Supports area transit capability
Supports NSSA (compatible with RFC 1587)
Event-log enabled, Maximum number of events: 1000, Mode: cyclic
Router is not originating router-LSAs with maximum metric
Initial SPF schedule delay 5000 msec
Minimum hold time between two consecutive SPF's 10000 msec
Maximum wait time between two consecutive SPF's 10000 msec
Incremental-SPF disabled

```

```

Minimum LSA interval 5 secs
Minimum LSA arrival 1000 msecs
LSA group pacing timer 240 secs
Interface flood pacing timer 33 msecs
Retransmission pacing timer 66 msecs
Number of external LSA 0. Checksum Sum 0x000000
Number of opaque AS LSA 0. Checksum Sum 0x000000
Number of DCbitless external and opaque AS LSA 0
Number of DoNotAge external and opaque AS LSA 0
Number of areas in this router is 1. 0 normal 0 stub 1 nssa
Number of areas transit capable is 0
External flood list length 0
IETF NSF helper support enabled
Cisco NSF helper support enabled
Reference bandwidth unit is 100 mbps
Area 1
Number of interfaces in this area is 1
It is a NSSA area
Configured to translate Type-7 LSAs, inactive (RFC3101 support
disabled)
Area has no authentication
SPF algorithm last executed 00:00:07.160 ago
SPF algorithm executed 3 times
Area ranges are
Number of LSA 3. Checksum Sum 0x0245F0
Number of opaque link LSA 0. Checksum Sum 0x000000
Number of DCbitless LSA 0
Number of indication LSA 0
Number of DoNotAge LSA 0
Flood list length 0
    
```

The table below describes the significant fields shown in the **show ip ospf** command output.

**Table 16: show ip ospf Field Descriptions**

Field	Description
Supports NSSA (compatible with RFC 1587)	Specifies that RFC 1587 is active or that the OSPF NSSA area is RFC 1587 compatible.
Configured to translate Type-7 LSAs, inactive (RFC3101 support disabled)	Specifies that OSPF NSSA area has an ABR device configured to act as a forced translator of Type 7 LSAs. However, it is inactive because RFC 3101 is disabled

Device2#**show ip ospf database nssa**

```

Router Link States (Area 1)
LS age: 28
Options: (No TOS-capability, DC)
LS Type: Router Links
Link State ID: 10.0.2.1
Advertising Router: 10.0.2.1
LS Seq Number: 80000004
Checksum: 0x5CA2
Length: 36
Area Border Router
AS Boundary Router
Unconditional NSSA translator
Number of Links: 1
Link connected to: a Stub Network
(Link ID) Network/subnet number: 192.0.2.5
    
```

```
(Link Data) Network Mask: 255.255.255.0
Number of MTID metrics: 0
TOS 0 Metrics: 10
```

The table below describes the significant fields shown in the **show ip ospf database nssa** command output.

**Table 17: show ip ospf database nssa Field Description**

Field	Description
Unconditional NSSA translator	Specifies that NSSA ASBR device is a forced NSSA LSA translator

## Additional References for OSPF Not-So-Stubby Areas (NSSA)

### Related Documents

Related Topic	Document Title
OSPF commands	<i>Cisco IOS IP Routing: OSPF Command Reference</i>
Protocol-independent features that work with OSPF	“Configuring IP Routing Protocol-Independent Features” module in <i>IP Routing: Protocol-Independent Configuration Guide</i>

### RFCs

RFC	Title
RFC 1587	<i>The OSPF NSSA Option</i> , March 1994
RFC 3101	<i>The OSPF NSSA Option</i> January 2003

## Feature History for NSSA for OSPFv2

This table provides release and related information for the features explained in this module.

These features are available in all the releases subsequent to the one they were introduced in, unless noted otherwise.

Release	Feature	Feature Information
Cisco IOS XE Fuji 16.8.1a	NSSA for OSPFv2	OSPFv2 allows you to configure a Not-So-Stubby Area (NSSA).
Cisco IOS XE Cupertino 17.7.1	NSSA for OSPFv2	Support for this feature was introduced on the C9500X-28C8D model of the Cisco Catalyst 9500 Series Switches.

Use the Cisco Feature Navigator to find information about platform and software image support. To access Cisco Feature Navigator, go to <http://www.cisco.com/go/cfn>.





## CHAPTER 24

# Configuring NSSA for OSPFv3

- [Information About Configuring NSSA for OSPFv3, on page 253](#)
- [How to Configure NSSA for OSPFv3, on page 255](#)
- [Example: NSSA for OSPFv3, on page 259](#)
- [Additional References for Configuring NSSA for OSPFv3, on page 260](#)
- [Feature History for NSSA for OSPFv3, on page 260](#)

## Information About Configuring NSSA for OSPFv3

Cisco Open Short Shortest Path First version 3 (OSPFv3) allows you to configure a Not-So-Stubby Area (NSSA). An NSSA is similar to a stub area, except that an NSSA allows you to import autonomous system (AS) external routes within an NSSA using redistribution. This feature adds support for the OSPFv3 NSSA specification described by RFC 3101. RFC 3101 replaced and is backward compatible with RFC 1587.

### RFC 1587 Compliance

RFC 3101 compliance is automatically enabled on the devices. Use the **compatible rfc1587** command in router configuration mode to revert to route selection that is based on RFC 1587. When you configure the device to be compatible with RFC 1587, the device performs the following actions:

- Reverts the route selection process to RFC 1587.
- Configures Autonomous System Border Router (ASBR) to configure the P (propagate bit) and zero-forwarding address.
- Disables always translating Area Border Router (ABR).

### ABR as OSPFv3 NSSA LSA Translator

Use the Not-So-Stubby Area (NSSA) for Open Shortest Path First version 3 (OSPFv3) feature to simplify administration in a network that connects a central site that uses OSPFv3 to a remote site that uses a different routing protocol.

When the NSSA feature is not implemented, the connection between the border device at the corporate site and the remote device is not established as an OSPFv3 stub area due to following reasons:

- Routes for the remote site are not redistributed into the stub area.

- Two routing protocols must be maintained.

A protocol such as Routing Information Protocol (RIP) for IPv6 is run to handle the redistribution. By implementing NSSA, you can extend OSPFv3 to include the remote connection by defining the area between the border device at the corporate site and the remote device as an NSSA.

As with OSPFv3 stub areas, NSSA areas cannot be injected with distributed routes via a Type 5 Link State Advertisement (LSA). Route redistribution into an NSSA area is possible only with a Type 7 LSA. An NSSA Autonomous System Border Router (ASBR) generates the Type 7 LSA, and an NSSA Area Border Router (ABR) translates the Type 7 LSA into a Type 5 LSA. These LSAs can be flooded throughout the OSPFv3 routing domain. Route summarization and filtering are supported during the translation.

Route summarization is the consolidation of advertised addresses. This feature enables an ABR to advertise a single summary route to other areas. If the network numbers in an area are assigned in a way such that they are contiguous, you can configure the ABR to advertise a summary route that covers all the individual networks within the area that fall into the specified range.

When routes from other protocols are redistributed into an OSPFv3 area, each route is advertised individually in an external LSA. However, you can configure the Cisco IOS software to advertise a single route with a specified network address and mask for all the redistributed routes that are covered by a specified network address and mask. Thus, the size of the OSPFv3 link-state database decreases.

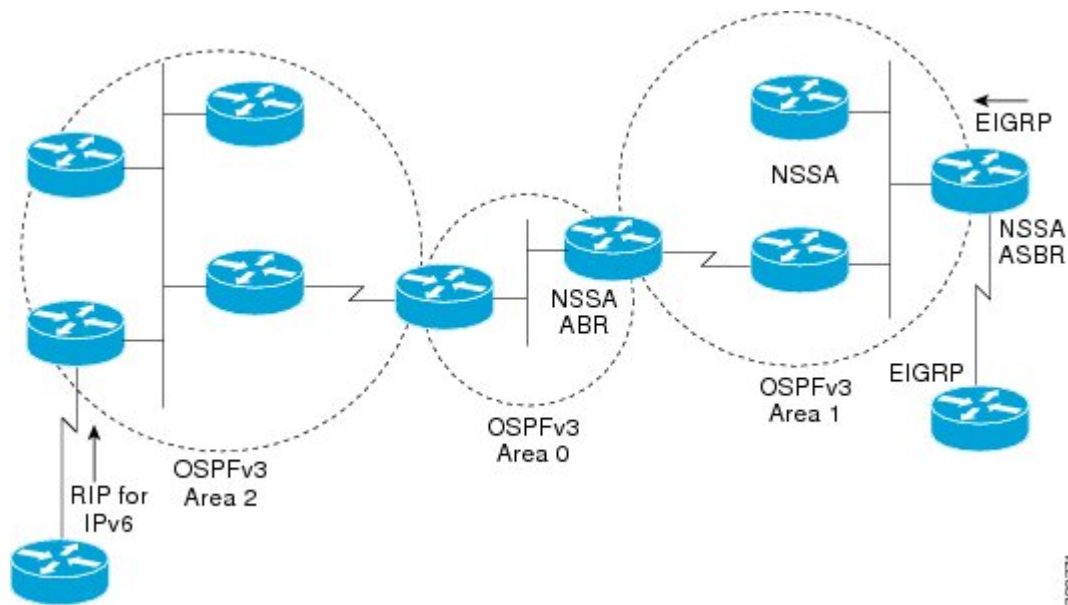
RFC 3101 allows you to configure an NSSA ABR device as a forced NSSA LSA translator.



**Note** Even a forced translator might not translate all LSAs; translation depends on the content of each LSA.

The figure below shows a network diagram in which OSPFv3 Area 1 is defined as the stub area. The Enhanced Interior Gateway Routing Protocol (EIGRP) routes are not propagated into the OSPFv3 domain because routing redistribution is not allowed in the stub area. However, once OSPFv3 Area 1 is defined as an NSSA, an NSSA ASBR can include the EIGRP routes to the OSPFv3 NSSA by generating Type 7 LSAs.

**Figure 10: OSPFv3 NSSA**



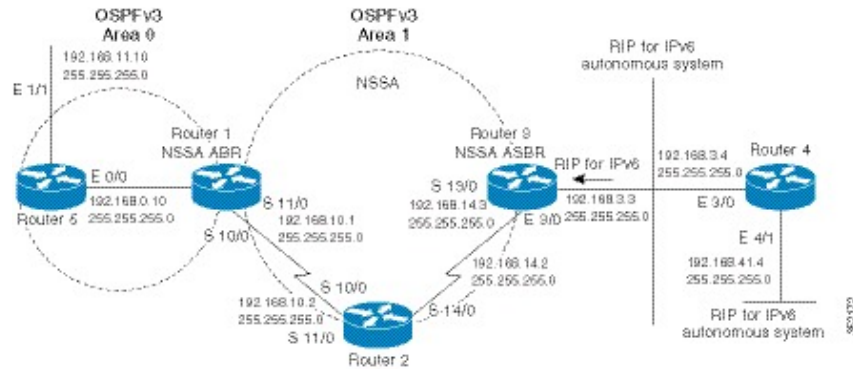
390371



The redistributed routes from the RIP device are not allowed into OSPFv3 Area 1 because NSSA is an extension to the stub area. The stub area characteristics still exist, including the exclusion of Type 5 LSAs.

The figure below shows the OSPFv3 stub network with NSSA Area 1. The redistributed routes that Device 4 is propagating from the two RIP networks are translated into Type 7 LSAs by NSSA ASBR Device 3. Device 2, which is configured to be the NSSA ABR, translates the Type 7 LSAs back to Type 5 so that they can be flooded through the rest of the OSPFv3 stub network within OSPFv3 Area 0.

Figure 11: OSPFv3 NSSA Network with NSSA ABR and ASBR Devices



# How to Configure NSSA for OSPFv3

## Configuring an OSPFv3 NSSA Area and Its Parameters

### Procedure

	Command or Action	Purpose
Step 1	<b>enable</b> <b>Example:</b> Device> enable	Enables privileged EXEC mode. <ul style="list-style-type: none"> <li>• Enter your password if prompted.</li> </ul>
Step 2	<b>configure terminal</b> <b>Example:</b> Device#configure terminal	Enters global configuration mode.
Step 3	<b>router ospfv3 process-id</b> <b>Example:</b> Device(config)#router ospfv3 10	Enables OSPFv3 routing and enters router configuration mode. <ul style="list-style-type: none"> <li>• The <i>process-id</i> argument identifies the OSPFv3 process. The range is from 1 to 65535.</li> </ul>
Step 4	<b>area area-id nssa</b> <b>default-information-originate nssa-only</b>	Configures an NSSA area and sets the default advertisement to this NSSA area.

	Command or Action	Purpose
	<p><b>Example:</b></p> <pre>Device(config-router)#area 1 nssa default-information-originate nssa-only</pre>	<ul style="list-style-type: none"> <li>In the example, area 1 is configured as an NSSA area.</li> <li>The <b>nssa-only</b> keyword instructs the device to instigate Type-7 LSA with cleared P-bit, thereby, preventing LSA translation to Type 5 on NSSA ABR device.</li> </ul>
<b>Step 5</b>	<p><b>address-family {ipv4   ipv6} [unicast]</b></p> <p><b>Example:</b></p> <pre>Device(config-router)#address-family ipv4 unicast</pre> <p>OR</p> <pre>Device(config-router)#address-family ipv6 unicast</pre>	<p>Enables address family configuration mode for Open Shortest Path First version 3 (OSPFv3).</p> <ul style="list-style-type: none"> <li>The <b>address-family ipv4 unicast</b> command configures an IPv4 address family.</li> <li>The <b>address-family ipv6 unicast</b> command configures an IPv6 address family.</li> </ul>
<b>Step 6</b>	<p>Enter either of the following commands:</p> <ul style="list-style-type: none"> <li>(For IPv4) <b>summary-prefix {ip-prefix   ip-address-mask} [not-advertise   [tag tag-value] [nssa-only]]</b></li> <li>(For IPv6) <b>summary-prefix ipv6-prefix [not-advertise   [tag tag-value] [nssa-only]]</b></li> </ul> <p><b>Example:</b></p> <p>(For IPv4)</p> <pre>Device(config-router-af)#summary-prefix 10.1.0.0/16 nssa-only</pre> <p>(For IPv6)</p> <pre>Device(config-router-af)#summary-prefix 2001:DB8::/32 nssa-only</pre>	<ul style="list-style-type: none"> <li>(For IPv4 address family only) Defines an IPv4 summary prefix and address mask in Open Shortest Path First version 3 (OSPFv3) and summarizes all routes redistributed from other routing protocols.</li> <li>(For IPv6 address family only) Defines an IPv6 summary prefix in Open Shortest Path First version 3 (OSPFv3) and summarizes all routes redistributed from other routing protocols.</li> <li>The <b>nssa-only</b> keyword instructs the device to instigate Type-7 LSA with cleared P-bit, thereby, preventing LSA translation to Type 5 on NSSA ABR router.</li> </ul>
<b>Step 7</b>	<p><b>exit</b></p> <p><b>Example:</b></p> <pre>Device(config-router-af)#exit</pre>	<p>Exits address-family router configuration mode and returns to the router configuration mode.</p>
<b>Step 8</b>	<p><b>redistribute protocol [process-id] {level-1   level-1-2   level-2}</b>  <b>[autonomous-system-number] [metric {metric-value   transparent}] [metric-type type-value] [match {internal   external 1   external 2}] [tag tag-value] [route-map map-tag] [nssa-only]</b></p>	<p>Redistributes routes from one routing domain into another routing domain.</p> <ul style="list-style-type: none"> <li>In the example, Routing Information Protocol (RIP) subnets are redistributed into the OSPFv3 domain.</li> </ul>

	Command or Action	Purpose
	<b>Example:</b> <pre>Device(config-router)#redistribute rip nssa-only</pre>	
<b>Step 9</b>	<b>end</b> <b>Example:</b> <pre>Device(config-router)#end</pre>	Exits router configuration mode and returns to privileged EXEC mode.

## Configuring an NSSA ABR as a Forced NSSA LSA Translator for OSPFv3

### Procedure

	Command or Action	Purpose
<b>Step 1</b>	<b>enable</b> <b>Example:</b> <pre>Device&gt;enable</pre>	Enables privileged EXEC mode. <ul style="list-style-type: none"> <li>• Enter your password if prompted.</li> </ul>
<b>Step 2</b>	<b>configure terminal</b> <b>Example:</b> <pre>Device#configure terminal</pre>	Enters global configuration mode.
<b>Step 3</b>	<b>router ospfv3 <i>process-id</i></b> <b>Example:</b> <pre>Device(config)#router ospfv3 1</pre>	Enables OSPFv3 routing and enters router configuration mode. <ul style="list-style-type: none"> <li>• The <i>process-id</i> argument identifies the OSPFv3 process. The range is from 1 to 65535.</li> </ul>
<b>Step 4</b>	<b>area <i>area-id</i> nssa translate type7 always</b> <b>Example:</b> <pre>Device(config-router)#area 10 nssa translate type7 always</pre>	Configures a Not-So-Stubby Area Area Border Router (NSSA ABR) device as a forced NSSA Link State Advertisement (LSA) translator. <p><b>Note</b> You can use the <b>always</b> keyword to configure an NSSA ABR device as a forced NSSA LSA translator. This command can be used if RFC 3101 is disabled and RFC 1587 is used.</p>
<b>Step 5</b>	<b>area <i>area-id</i> nssa translate type7 suppress-fa</b> <b>Example:</b>	Allows the ABR to suppress the forwarding address in translated Type 5 LSA.

	Command or Action	Purpose
	<pre>Device(config-router)#area 10 nssa translate type7 suppress-fa  OR  Device (config-router)#address-family [ipv4 ipv6] unicast Device (config-router-af)#area 10 nssa translate type7 suppress-fa Device (config-router-af)#exit</pre>	<p><b>Note</b> You can configure this command in both router configuration mode and address-family configuration mode.</p>
<b>Step 6</b>	<p><b>end</b></p> <p><b>Example:</b></p> <pre>Device(config-router)#end</pre>	Exits router configuration mode and returns to privileged EXEC mode.

## Disabling RFC 3101 Compatibility and Enabling RFC 1587 Compatibility

### Procedure

	Command or Action	Purpose
<b>Step 1</b>	<p><b>enable</b></p> <p><b>Example:</b></p> <pre>Device&gt;enable</pre>	<p>Enables privileged EXEC mode.</p> <ul style="list-style-type: none"> <li>• Enter your password if prompted.</li> </ul>
<b>Step 2</b>	<p><b>configure terminal</b></p> <p><b>Example:</b></p> <pre>Device#configure terminal</pre>	Enters global configuration mode.
<b>Step 3</b>	<p><b>router ospfv3 <i>process-id</i></b></p> <p><b>Example:</b></p> <pre>Device(config)#router ospfv3 1</pre>	<p>Enables OSPFv3 routing and enters router configuration mode.</p> <ul style="list-style-type: none"> <li>• The <i>process-id</i> argument identifies the OSPFv3 process.</li> </ul>
<b>Step 4</b>	<p><b>compatible rfc1587</b></p> <p><b>Example:</b></p> <pre>Device(config-router)#compatible rfc1587</pre>	Changes the method used to perform route selection to RFC 1587 compatibility and disables RFC 3101.
<b>Step 5</b>	<p><b>end</b></p> <p><b>Example:</b></p> <pre>Device(config-router)#end</pre>	Exits router configuration mode and returns to privileged EXEC mode.

## Example: NSSA for OSPFv3

Use the **show ospfv3** command to confirm that the device is acting as an Autonomous System Border Router (ASBR) and that the Open Shortest Path First version 3 (OSPFv3) Area 1 has been configured as a Not-So-Stubby Area (NSSA) area.

```
Device#show ospfv3
```

```
OSPFv3 1 address-family ipv4
Router ID 3.3.3.3
Supports NSSA (compatible with RFC 1587)
It is an autonomous system boundary router
Redistributing External Routes from,
    static
Router is not originating router-LSAs with maximum metric
Initial SPF schedule delay 5000 msec
Minimum hold time between two consecutive SPFs 10000 msec
Maximum wait time between two consecutive SPFs 10000 msec
Minimum LSA interval 5 secs
Minimum LSA arrival 1000 msec
LSA group pacing timer 240 secs
Interface flood pacing timer 33 msec
Retransmission pacing timer 66 msec
Number of external LSA 0. Checksum Sum 0x000000
Number of areas in this router is 1. 0 normal 0 stub 1 nssa
Graceful restart helper support enabled
Reference bandwidth unit is 100 mbps
RFC1583 compatibility enabled
  Area 1
    Number of interfaces in this area is 1
    It is a NSSA area
    Configured to translate Type-7 LSAs, inactive (RFC3101 support disabled)
    Perform type-7/type-5 LSA translation, suppress forwarding address
    Area has no authentication
    SPF algorithm last executed 00:00:07.160 ago
    SPF algorithm executed 3 times
    Area ranges are
    Number of LSA 3. Checksum Sum 0x0245F0
    Number of opaque link LSA 0. Checksum Sum 0x000000
    Number of DCbitless LSA 0
    Number of indication LSA 0
    Number of DoNotAge LSA 0
    Flood list length 0
```

The table below describes the significant **show ip ospf** display fields and their descriptions.

**Table 18: show ospfv3 Field Descriptions**

Field	Description
Supports NSSA (compatible with RFC 1587)	Specifies that RFC 1587 is active or that the OSPFv3 NSSA area is RFC 1587 compatible.
Configured to translate Type-7 LSAs, inactive (RFC3101 support disabled)	Specifies that the OSPFv3 NSSA area has an ABR device configured to act as a forced translator of Type 7 LSAs. However, it is inactive because RFC 3101 is disabled.

The output of the router LSA in LSDB shows Nt-Bit if it is set in the header of LSA.

```
Router Link States (Area 1)

LS age: 94
Options: (N-Bit, R-bit, DC-Bit, AF-Bit, Nt-Bit)
LS Type: Router Links
Link State ID: 0
Advertising Router: 2.2.2.2
LS Seq Number: 80000002
Checksum: 0x8AD5
Length: 56
Area Border Router
AS Boundary Router
Unconditional NSSA translator
Number of Links: 2
```

The “Unconditional NSSA translator” line indicates that the status of the NSSA ASBR router is as a forced NSSA LSA translator.

## Additional References for Configuring NSSA for OSPFv3

### Related Documents

Related Topic	Document Title
OSPF commands	<i>Cisco IOS IP Routing: OSPF Command Reference</i>
OSPFv3 in IPv6 routing	“IPv6 Routing: OSPFv3” module

### RFCs

RFC	Title
RFC 1587	<a href="#">The OSPF NSSA Option</a>
RFC 3101	<a href="#">The OSPF NSSA Option</a>

## Feature History for NSSA for OSPFv3

This table provides release and related information for the features explained in this module.

These features are available in all the releases subsequent to the one they were introduced in, unless noted otherwise.

Release	Feature	Feature Information
Cisco IOS XE Fuji 16.8.1a	NSSA for OSPFv3	OSPFv3 allows you to configure a Not-So-Stubby Area (NSSA).

Release	Feature	Feature Information
Cisco IOS XE Cupertino 17.7.1	NSSA for OSPFv3	Support for this feature was introduced on the C9500X-28C8D model of the Cisco Catalyst 9500 Series Switches.

Use the Cisco Feature Navigator to find information about platform and software image support. To access Cisco Feature Navigator, go to <http://www.cisco.com/go/cfn>.







## CHAPTER 25

# Configuring EIGRP MIB

- [Prerequisites for EIGRP MIB, on page 263](#)
- [Restrictions for EIGRP MIB, on page 263](#)
- [Information About EIGRP MIB, on page 263](#)
- [Enabling EIGRP MIB Notifications, on page 270](#)
- [Example: Enabling EIGRP MIB Notifications, on page 271](#)
- [Additional References for EIGRP MIB, on page 271](#)
- [Feature History for EIGRP MIB, on page 272](#)

## Prerequisites for EIGRP MIB

- An Enhanced Interior Gateway Routing Protocol (EIGRP) routing process must be enabled and a Simple Network Management Protocol (SNMP) community string must be configured on at least one device for EIGRP MIB table objects to be visible via SNMP.
- Support for EIGRP notifications (traps) is not activated until a trap destination is configured.

## Restrictions for EIGRP MIB

EIGRP MIB support was not implemented for the EIGRP Prefix Limit Support feature.

## Information About EIGRP MIB

The EIGRP MIB feature provides complete Enhanced Interior Gateway Routing Protocol (EIGRP) support for GET requests and limited notification (also known as trap) support for neighbor authentication failure, neighbor down, and stuck-in-active (SIA) events. This MIB is accessed through remote Simple Network Management Protocol (SNMP) software clients. The EIGRP IPv6 MIB feature enables IPv6 support for the EIGRP MIB.

## EIGRP MIB Overview

The EIGRP MIB feature provides MIB support in Cisco software for Enhanced Interior Gateway Routing Protocol (EIGRP) routing processes that run over IPv4 and IPv6. The EIGRP MIB is accessed through remote

Simple Network Management Protocol (SNMP) software clients. MIB table objects are accessed as read-only through GETBULK, GETINFO, GETMANY, GETONE, and GETNEXT requests. Counters for MIB table objects are cleared when the EIGRP routing process is reset or when the routing table is refreshed when you enter the **clear ip route** or **clear ip eigrp** command. Managed objects for all EIGRP routing processes are implemented as five table objects—EIGRP Interface, EIGRP Neighbor, EIGRP Topology, EIGRP Traffic Statistics, and EIGRP VPN—on a per-autonomous-system or per-VPN basis.

## EIGRP Interface Table

The EIGRP Interface table contains information and statistics for all interfaces on which the Enhanced Interior Gateway Routing Protocol (EIGRP) has been configured. The objects in this table are populated on a per-interface basis. The table below describes EIGRP Interface table objects and the values populated for each object.

**Table 19: EIGRP Interface Table Object Descriptions**

EIGRP Interface Table Object	Description
cEigrpAcksSuppressed	Total number of individual acknowledgment packets that have been suppressed and combined in an already enqueued outbound reliable packet on an interface.
cEigrpAuthKeyChain	The name of the authentication key chain that is configured on the interface. The key chain is a reference to the set of secret keys that need to be accessed to determine the key string that needs to be used.
cEigrpAuthMode	The authentication mode that is configured for traffic that uses the interface. A value of 0 is displayed when no authentication is enabled. A value of 1 is displayed when message digest algorithm 5 (MD5) authentication is enabled.
cEigrpCRpkts	Total number conditional receive (CR) packets sent from the interface.
cEigrpHelloInterval	The configured time interval (in seconds) between hello packet transmissions on the interface.
cEigrpPacingReliable	The configured time interval (in milliseconds) between EIGRP packet transmissions on the interface when the reliable transport is used.
cEigrpPacingUnreliable	The configured time interval (in milliseconds) between EIGRP packet transmissions on the interface when the unreliable transport is used.
cEigrpPeerCount	Total number of neighbor adjacencies formed through the interface.
cEigrpPendingRoutes	Total number of routing updates that are queued for transmission on the interface.
cEigrpMcastExcept	Total number of EIGRP multicast exception transmissions that have occurred on the interface.
cEigrpMeanSrtt	The computed smooth round-trip time (SRTT) for packets that were transmitted to and received from all neighbors on the interface.
cEigrpMFlowTimer	The configured multicast flow control timer value (in milliseconds) for the interface.

EIGRP Interface Table Object	Description
cEigrpOOSrcvd	Total number of out-of-sequence packets received on the interface.
cEigrpRetranSent	Total number of packet retransmissions sent from the interface.
cEigrpRMcasts	Total number of reliable (acknowledgment required) multicast packets that were transmitted on the interface.
cEigrpRUcasts	Total number of reliable (acknowledgment required) unicast packets that were transmitted on the interface.
cEigrpUMcasts	Total number of unreliable (no acknowledgment required) multicast packets that were transmitted on the interface.
cEigrpUUcasts	Total number of unreliable (no acknowledgment required) unicast packets that were transmitted on the interface.
cEigrpXmitNextSerial	The serial number of the next packet that is queued for transmission on the interface.
cEigrpXmitReliableQ	Total number of packets waiting in the reliable transport transmission queue (acknowledgment required).
cEigrpXmitUnreliableQ	Total number of packets waiting in the unreliable transport transmission queue (no acknowledgment required).

## EIGRP Neighbor Table

The EIGRP Neighbor table contains information about Enhanced Interior Gateway Routing Protocol (EIGRP) neighbors with which adjacencies have been established. EIGRP uses a “Hello” protocol to form neighbor relationships with directly connected EIGRP neighbors. The objects in this table are populated on a per-neighbor basis. The table below describes EIGRP Neighbor table objects and the values populated for each object.

*Table 20: EIGRP Neighbor Table Object Descriptions*

EIGRP Neighbor Table Object	Description
cEigrpHoldTime	The hold timer value for an adjacency with a neighbor. If this timer expires, the neighbor is declared down and removed from the neighbor table.
cEigrpLastSeq	The number of the last sequence of a packet transmitted to a neighbor. This table object value increases as the sequence number increases.
cEigrpPeerAddr	The source IP address of a neighbor that was used to establish an EIGRP adjacency with the local device. The source IP address can be an IPv4 or IPv6 address.
cEigrpPeerAddrType	The protocol type of the remote source IP address that was used by a neighbor to establish an EIGRP adjacency with the local device. The protocol type can be IPv4 or IPv6.
cEigrpPeerIfIndex	The index of the local interface through which a neighbor can be reached.

EIGRP Neighbor Table Object	Description
cEigrpPeerInterface	The name of the local interface through which a neighbor can be reached.
cEigrpPktsEnqueued	Total number of EIGRP packets (all types) currently queued for transmission to a neighbor.
cEigrpRetrans	Cumulative number of packets retransmitted to a neighbor while the neighbor is in an up state.
cEigrpRetries	Total number of times an unacknowledged packet is sent to a neighbor.
cEigrpRto	The computed retransmission timeout (RTO) for a neighbor. The value for this table object is computed as an aggregate average of the time required for packet delivery.
cEigrpSrtt	The computed smooth round-trip time (SRTT) for packets that are transmitted to and received from a neighbor.
cEigrpUpTime	The period for which the EIGRP adjacency to a neighbor has been in an up state. The time period is displayed in hours:minutes:seconds.
cEigrpVersion	EIGRP version information reported by a remote neighbor.

## EIGRP Topology Table

The EIGRP Topology table contains information about Enhanced Interior Gateway Routing Protocol (EIGRP) routes that are received in updates and routes that are locally originated. EIGRP sends routing updates to and receives routing updates from adjacent routers with which adjacencies have been formed. The objects in this table are populated on a per-topology table entry (route) basis. The table below describes EIGRP Topology table objects and the values populated for each object.

**Table 21: EIGRP Topology Table Object Descriptions**

EIGRP Topology Table Object	Description
cEigrpActive	Status of routes in the topology table. The value for this table object is displayed on a per-route basis. A value of 1 is displayed when a route is in active state. A value of 2 is displayed when a route is in passive state (normal).
cEigrpDestSuccessors	Total number of successors (a successor is a route that is the next hop to a destination network) for a topology table entry. The topology table will contain a successor for each path to a given destination. This table object value increases each time a successor is added.
cEigrpDistance	The computed distance to the destination network entry from the local router.
cEigrpFdistance	The feasible (best) distance to a destination network. This value is used to calculate a feasible successor for a topology table entry.
cEigrpNextHopAddress	The next-hop IP address for a route in a topology table entry. The next hop can be an IPv4 or IPv6 address.

<b>EIGRP Topology Table Object</b>	<b>Description</b>
cEigrpNextHopAddressType	The protocol type of the next-hop IP address for a route in a topology table entry. The protocol type can be IPv4 or IPv6.
cEigrpNextHopInterface	The interface through which the next-hop IP address is reached to forward traffic to the destination.
cEigrpReportDistance	The computed distance to the destination network in the topology entry as reported by the originator of the route.
cEigrpRouteOriginAddr	The IP address of the router that originated the route in the topology table entry. This table is populated only if the topology table entry was not locally originated. The route origin address can be an IPv4 or IPv6 address.
cEigrpRouteOriginType	The protocol type of the IP address defined as the origin of the topology route entry. The protocol type can be IPv4 or IPv6.
cEigrpStuckInActive	Stuck-in-active (SIA) status of a route. The value for this table object is displayed on a per-route basis. A value of 1 is displayed when a route is in SIA state (that is, no reply has been received for queries about alternate paths). SIA queries are transmitted when a route is placed in this state.

## EIGRP Traffic Statistics Table

The EIGRP Traffic Statistics table contains counters and statistics for specific types of Enhanced Interior Gateway Routing Protocol (EIGRP) packets that are sent and the related, collective information that is generated. Objects in this table are populated on a per-autonomous-system basis. Objects in this table are populated for adjacencies formed on interfaces that have IP addresses configured under EIGRP network statements. The table below describes EIGRP Traffic Statistics table objects and the values populated for each object.

**Table 22: EIGRP Traffic Statistics Table Object Descriptions**

<b>EIGRP Traffic Statistics Table Object</b>	<b>Description</b>
cEigrpAcksRcvd	Total number of acknowledgment packets that are received in response to the transmitted update packets. This table object value increases as packets are received.
cEigrpAcksSent	Total number of acknowledgment packets that are transmitted in response to received update packets. This table object value increases as packets are transmitted.
cEigrpAsRouterId	The configured or automatically selected router ID in IP address format. This table object is updated if the router ID is manually reconfigured or if the IP address that was automatically selected is removed.
cEigrpAsRouterIdType	The type of IP address that is used as the router ID. The value for this table object is an IPv4 address.

<b>EIGRP Traffic Statistics Table Object</b>	<b>Description</b>
cEigrpInputQDrops	Total number of packets that are dropped from the input queue because the input queue was full. This table object value increases each time a packet is dropped.
cEigrpInputQHighMark	The highest number of packets that have been in the input queue. This table object value increases only when the previous highest number is exceeded.
cEigrpHeadSerial	Internal sequencing number (serial) that is applied to EIGRP topology table routes. Routes are sequenced starting with 1. A value of 0 is displayed when there are no routes in the topology table. The “Head” serial number is applied to the first route in the sequence.
cEigrpHellosRcvd	Total number of received hello packets. This table object value increases as packets are received.
cEigrpHellosSent	Total number of hello packets transmitted. This table object value increases as packets are transmitted.
cEigrpNbrCount	Total number of live neighbors. This table object value increases or decreases as peering sessions are established or expired.
cEigrpNextSerial	Serial number that is applied to the next route in the sequence.
cEigrpQueriesSent	Total number of alternate route query packets that are transmitted. This table object value increases as packets are transmitted.
cEigrpQueriesRcvd	Total number of alternate route query packets that are received. This table object value increases as packets are received.
cEigrpRepliesSent	Total number of reply packets that are transmitted in response to the received query packets. This table object value increases as packets are transmitted.
cEigrpRepliesRcvd	Total number of reply packets that are received in response to transmitted query packets. This table object value increases as packets are received.
cEigrpSiaQueriesSent	Total number of query packets that are sent in response to a destination that is in a stuck-in-active (SIA) state for a down peer. This table object value increases each time an SIA query packet is sent.
cEigrpSiaQueriesRcvd	Total number of SIA query packets that are received from neighbors searching for an alternate path to a destination. This table object value increases each time an SIA query packet is received.
cEigrpTopoRoutes	Total number of EIGRP-derived routes in the topology table. This table object value increases if a route is added.
cEigrpUpdatesRcvd	Total number of routing update packets that are received. This table object value increases as packets are received.
cEigrpUpdatesSent	Total number of routing update packets that are transmitted. This table object value increases as packets are transmitted.

EIGRP Traffic Statistics Table Object	Description
cEigrpXmitDummies	Total number of temporary entries in the topology table. Dummies are internal entries and not transmitted in routing updates.
cEigrpXmitPendReplies	Total number of replies expected in response to locally transmitted query packets. This table object contains a value of 0 until a route is placed in an active state.

## EIGRP VPN Table

The EIGRP VPN table contains information about VPNs that are configured to run an Enhanced Interior Gateway Routing Protocol (EIGRP) process. Devices index VPN routes by using the VPN name and the EIGRP autonomous system number. The table below describes the EIGRP VPN table object and the value populated for that object.

**Table 23: EIGRP VPN Table Object Description**

EIGRP VPN Table Object	Description
cEigrpVpnName	The VPN routing and forwarding (VRF) name. Only VRFs that are configured to run an EIGRP routing process are populated.

## EIGRP Notifications

The EIGRP MIB provides limited notification (trap) support for neighbor authentication failure, neighbor down, and stuck-in-active (SIA) events. Use the **snmp-server enable traps eigrp** command to enable Enhanced Interior Gateway Routing Protocol (EIGRP) notifications or traps on a Cisco device. To activate support for trap events, you must configure a trap destination by using the **snmp-server host** command and define a community string by using the **snmp-server community** command. EIGRP notifications are described in the table below.

**Table 24: EIGRP Notifications**

EIGRP Notifications	Description
cEigrpAuthFailureEvent	When EIGRP message digest algorithm 5 (MD5) authentication is enabled on any interface and neighbor adjacencies are formed, a notification is sent if any adjacency goes down because of an authentication failure. This notification will be sent once per down event. This notification includes the source IP address of the neighbor from which the authentication failure occurred.
cEigrpNbrDownEvent	This notification is sent when a neighbor goes down for any reason, such as hold time expiry, neighbor shutdown, interface shutdown, SIA events, or authentication failure. If a neighbor is down because of an authentication failure, both cEigrpAuthFailureEvent and cEigrpNbrDownEvent notifications are sent.

EIGRP Notifications	Description
cEigrpRouteStuckInActive	During the query phase for a new route to a destination network, the route is placed in active state (during which an alternate path is actively sought) and a query packet is broadcast to the network. If no replies are received for the query, SIA query packets are broadcast. If no replies are received for the SIA queries, the neighbor adjacency is dropped, the route is declared to be in an SIA state, and this notification is sent.

## Enabling EIGRP MIB Notifications

Perform this task to specify a Simple Network Management Protocol (SNMP) server host, configure an SNMP community access string, and enable Enhanced Interior Gateway Routing Protocol (EIGRP) MIB notifications.

### Procedure

	Command or Action	Purpose
<b>Step 1</b>	<b>enable</b> <b>Example:</b> Device>enable	Enables privileged EXEC mode. <ul style="list-style-type: none"> <li>• Enter your password if prompted.</li> </ul>
<b>Step 2</b>	<b>configure terminal</b> <b>Example:</b> Device#configure terminal	Enters global configuration mode.
<b>Step 3</b>	<b>snmp-server host</b> <i>{hostname   ip-address}</i> <b>[traps   informs   version {1   2c   3 [auth   noauth   priv]}] community-string [udp-port port] [notification-type]</b> <b>Example:</b> Device(config)#snmp-server host 10.0.0.1 traps version 2c NETMANAGER	Specifies the destination server host or destination address for SNMP notifications.
<b>Step 4</b>	<b>snmp-server community</b> <i>string</i> <b>Example:</b> Device(config)#snmp-server community EIGRP1NET1A	Configures a community access string to permit SNMP access to the local router by the remote SNMP software client.  <b>Note</b> Cisco software supports both IPv4 and IPv6.
<b>Step 5</b>	<b>snmp-server enable traps</b> <i>[notification-type]</i> <b>Example:</b> Device(config)#snmp-server enable traps eigrp	Enables SNMP support for EIGRP notifications. <ul style="list-style-type: none"> <li>• Notifications can be configured for only neighbor authentication failure, neighbor down, and stuck-in-active (SIA) events.</li> </ul>



	Command or Action	Purpose
<b>Step 6</b>	<b>end</b> <b>Example:</b> Device(config)#end	Exits global configuration mode and returns to privileged EXEC mode.
<b>Step 7</b>	<b>show running-config</b> <b>Example:</b> Device#show running-config   include snmp	Displays contents of the current running configuration file. <ul style="list-style-type: none"> <li>• Use the output modifier “[ ]” to display and verify the SNMP configuration.</li> </ul>

## Example: Enabling EIGRP MIB Notifications

The following example shows how to specify a Simple Network Management Protocol (SNMP) server host, configure an SNMP community string, and enable support for Enhanced Interior Gateway Routing Protocol (EIGRP) notifications:

```
Device(config)#snmp-server host 10.0.0.2 traps version 2c NETMANAGER eigrp
Device(config)#snmp-server community EIGRP1NET1A
Device(config)#snmp-server enable traps eigrp
```

The following sample output from the **show running-config** command displays the EIGRP MIB configuration:

```
Device#show running-config | include snmp

snmp-server community EIGRP1NET1A
snmp-server enable traps eigrp
snmp-server host 10.0.0.2 version 2c NETMANAGER eigrp
```

## Additional References for EIGRP MIB

### Related Documents

Related Topic	Document Title
EIGRP commands	<i>EIGRP Command Reference</i>
Basic EIGRP configuration tasks	“Configuring EIGRP” module in the <i>EIGRP Configuration Guide</i>
SNMP commands	<i>SNMP Support Command Reference</i>
SNMP configuration tasks	“Configuring SNMP Support” module in the <i>SNMP Configuration Guide</i>

**Standards and RFCs**

Standard/RFC	Title
RFC 1213	<i>Management Information Base for Network Management of TCP/IP-based Internet: MIB-II</i>

## Feature History for EIGRP MIB

This table provides release and related information for the features explained in this module.

These features are available in all the releases subsequent to the one they were introduced in, unless noted otherwise.

Release	Feature	Feature Information
Cisco IOS XE Fuji 16.8.1a	EIGRP MIB	The EIGRP MIB feature provides complete Enhanced Interior Gateway Routing Protocol (EIGRP) support for GET requests and limited notification (also known as trap) support for neighbor authentication failure, neighbor down, and stuck-in-active (SIA) events.  Support for this feature was introduced only on the C9500-32C, C9500-32QC, C9500-48Y4C, and C9500-24Y4C models of the Cisco Catalyst 9500 Series Switches.
Cisco IOS XE Cupertino 17.7.1	EIGRP MIB	Support for this feature was introduced on the C9500X-28C8D model of the Cisco Catalyst 9500 Series Switches.

Use the Cisco Feature Navigator to find information about platform and software image support. To access Cisco Feature Navigator, go to <https://cfng.cisco.com/>



# CHAPTER 26

## Configuring EIGRP Wide Metrics

- [Information About EIGRP Wide Metrics, on page 273](#)
- [Additional References for EIGRP MIB, on page 277](#)
- [Feature History for EIGRP Wide Metrics, on page 277](#)

### Information About EIGRP Wide Metrics

The EIGRP Wide Metrics feature supports 64-bit metric calculations and Routing Information Base (RIB) scaling in Enhanced Interior Gateway Routing Protocol (EIGRP) topologies. The 64-bit calculations work only in EIGRP named mode configurations. EIGRP classic mode configurations use 32-bit calculations. This module provides an overview of the EIGRP Wide Metrics feature.

### EIGRP Composite Cost Metrics

The Enhanced Interior Gateway Routing Protocol (EIGRP) uses bandwidth, delay, reliability, load, and K values (various constants that can be configured by a user to produce varying routing behaviors) to calculate the composite cost metric for local Routing Information Base (RIB) installation and route selections. The EIGRP composite cost metric is calculated using the following formula:

$$\text{EIGRP composite cost metric} = 256 * ((K1 * \text{Scaled Bw}) + (K2 * \text{Scaled Bw}) / (256 - \text{Load}) + (K3 * \text{Scaled Delay}) * (K5 / (\text{Reliability} + K4)))$$

EIGRP uses one or more vector metrics to calculate the composite cost metric. The table below lists EIGRP vector metrics and their descriptions.

**Table 25: EIGRP Vector Metrics**

Vector Metric	Description
bandwidth	The minimum bandwidth (Bw) of the route, in kilobits per second. It can be 0 or any positive integer. The bandwidth for the formula is scaled and inverted by using the following formula: $\text{Scaled Bw} = (10^7 / \text{minimum bandwidth (Bw) in kilobits per second})$
delay	Route delay, in tens of microseconds. $\text{Scaled Delay} = (\text{Delay} / 10)$

Vector Metric	Description
load	The effective load of the route, expressed as a number from 0 to 255 (255 is 100 percent loading).
mtu	The minimum maximum transmission unit (MTU) size of the route, in bytes. It can be 0 or any positive integer.
reliability	The likelihood of successful packet transmission, expressed as a number between 0 and 255, where 255 means 100 percent reliability and 0 means no reliability.

EIGRP monitors metric weights, by using K values, on an interface to allow the tuning of EIGRP metric calculations and to indicate the type of service (ToS). K values are integers from 0 to 128; these integers, in conjunction with variables like bandwidth and delay, are used to calculate the overall EIGRP composite cost metric. The table below lists the K values and their defaults.

**Table 26: EIGRP K-Value Defaults**

Setting	Default Value
K1	1
K2	0
K3	1
K4	0
K5	0

Although you can configure K values to produce varying routing behaviors, most configurations use only the delay and bandwidth metrics by default, with bandwidth taking precedence, to produce a single 32-bit metric. Use of the default constants effectively reduces the above-mentioned composite cost metric formula to the following default formula:  $256 * (\text{Scaled Bw} + \text{Scaled Delay})$ .

For example, let us consider a link whose bandwidth to a particular destination is 128 kb/s and the delay is 84,000 microseconds. By using the default formula, you can simplify the EIGRP composite cost metric calculation to  $256 * (\text{Scaled Bw} + \text{Scaled Delay})$ , thus resulting in the following value:

$$\text{Metric} = 256 * (10^7 / 128 + 84000 / 10) = 256 * 86525 = 22150400$$

## EIGRP Wide Metrics

The Enhanced Interior Gateway Routing Protocol (EIGRP) composite cost metric (calculated using the bandwidth, delay, reliability, load, and K values) is not scaled correctly for high-bandwidth interfaces or Ethernet channels, resulting in incorrect or inconsistent routing behavior. The lowest delay that can be configured for an interface is 10 microseconds. As a result, high-speed interfaces, such as 10 Gigabit Ethernet (GE) interfaces, or high-speed interfaces channeled together (GE ether channel) will appear to EIGRP as a single GE interface. This may cause undesirable equal-cost load balancing. To resolve this issue, the EIGRP Wide Metrics feature supports 64-bit metric calculations and Routing Information Base (RIB) scaling that provide the ability to support interfaces (either directly or via channeling techniques like port channels or ether channels) up to approximately 4.2 terabits.



**Note** The 64-bit metric calculations work only in EIGRP named mode configurations. EIGRP classic mode uses 32-bit metric calculations.

To accommodate interfaces with bandwidths above 1 gigabit and up to 4.2 terabits and to allow EIGRP to perform path selections, the EIGRP composite cost metric formula is modified. The paths are selected based on the computed time. The time that information takes to travel through links is measured in picoseconds. The interfaces can be directly capable of these high speeds, or the interfaces can be bundles of links with an aggregate bandwidth greater than 1 gigabit.

$$\text{Metric} = [(K1 * \text{Minimum Throughput} + \{K2 * \text{Minimum Throughput} / 256 - \text{Load}\} + (K3 * \text{Total Latency}) + (K6 * \text{Extended Attributes})] * [K5 / (K4 + \text{Reliability})]$$

Default K values are as follows:

- K1 = K3 = 1
- K2 = K4 = K5 = 0
- K6 = 0

The EIGRP Wide Metrics feature also introduces K6 as an additional K value for future use.

By default, the path selection scheme used by EIGRP is a combination of throughput (rate of data transfer) and latency (time taken for data transfer), and the formula for calculating the composite cost metric is as follows:

$$\text{Composite Cost Metric} = (K1 * \text{Minimum Throughput}) + (K3 * \text{Total Latency})$$

Minimum Throughput =  $(10^7 * 65536) / \text{Bw}$ , where 65536 is the wide-scale constant.

Total Latency for bandwidths below 1 gigabit =  $(\text{Delay} * 65536) / 10$ , where 65536 is the wide-scale constant.

Total Latency for bandwidths above 1 gigabit =  $(10^7 * 65536 / 10) / \text{Bw}$ , 65536 is the wide-scale constant.

With the calculation of larger bandwidths, EIGRP can no longer fit the computed metric into a 4-byte unsigned long value that is needed by the Cisco RIB. To set the RIB scaling factor for EIGRP, use the **metric rib-scale** command. When you configure the **metric rib-scale** command, all EIGRP routes in the RIB are cleared and replaced with the new metric values.

## EIGRP Metric Weights

You can use the **metric weights** command to adjust the default behavior of Enhanced Interior Gateway Routing Protocol (EIGRP) routing and metric computations. EIGRP metric defaults (K values) have been carefully selected to provide optimal performance in most networks.



**Note** Adjusting EIGRP metric weights can dramatically affect network performance. Because of the complexity of this task, we recommend that you do not change the default K values without guidance from an experienced network designer.

By default, the EIGRP composite cost metric is a 32-bit quantity that is the sum of segment delays and the lowest segment bandwidth (scaled and inverted) for a given route. The formula used to scale and invert the bandwidth value is  $10^7 / \text{minimum bandwidth in kilobits per second}$ . However, with the EIGRP Wide Metrics

feature, the EIGRP composite cost metric is scaled to include 64-bit metric calculations for EIGRP named mode configurations.

For a network of homogeneous media, this metric reduces to a hop count. For a network of mixed media (FDDI, Gigabit Ethernet (GE), and serial lines running from 9600 bits per second to T1 rates), the route with the lowest metric reflects the most desirable path to a destination.

## Mismatched K Values

EIGRP K values are the metrics that EIGRP uses to calculate routes. Mismatched K values can prevent neighbor relationships from being established and can negatively impact network convergence. The example given below explains this behavior between two EIGRP peers (Device-A and Device-B).

The following configuration is applied to Device-A. The K values are changed using the **metric weights** command. A value of 2 is entered for the *k1* argument to adjust the bandwidth calculation. A value of 1 is entered for the *k3* argument to adjust the delay calculation.

```
Device(config)#hostname Device-A
Device-A(config)#interface serial 0
Device-A(config-if)#ip address 10.1.1.1 255.255.255.0
Device-A(config-if)#exit
Device-A(config)#router eigrp name1
Device-A(config-router)#address-family ipv4 autonomous-system 4533
Device-A(config-router-af)#network 10.1.1.0 0.0.0.255
Device-A(config-router-af)#metric weights 0 2 0 1 0 0 1
```

The following configuration is applied to Device-B, and the default K values are used. The default K values are 1, 0, 1, 0, 0, and 0.

```
Device(config)#hostname Device-B
Device-B(config)#interface serial 0
Device-B(config-if)#ip address 10.1.1.2 255.255.255.0
Device-B(config-if)#exit
Device-B(config)#router eigrp name1
Device-B(config-router)#address-family ipv4 autonomous-system 4533
Device-B(config-router-af)#network 10.1.1.0 0.0.0.255
Device-B(config-router-af)#metric weights 0 1 0 1 0 0 0
```

The bandwidth calculation is set to 2 on Device-A and set to 1 (by default) on Device-B. This configuration prevents these peers from forming a neighbor relationship.

The following error message is displayed on the console of Device-B because the K values are mismatched:

```
*Apr 26 13:48:41.811: %DUAL-5-NBRCHANGE: IP-EIGRP(0) 1: Neighbor 10.1.1.1 (Ethernet0/0) is
down: K-value mismatch
```

The following are two scenarios where the above error message can be displayed:

- Two devices are connected on the same link and configured to establish a neighbor relationship. However, each device is configured with different K values.
- One of two peers has transmitted a “peer-termination” message (a message that is broadcast when an EIGRP routing process is shut down), and the receiving device does not support this message. The receiving device will interpret this message as a K-value mismatch.

## Additional References for EIGRP MIB

### Related Documents

Related Topic	Document Title
EIGRP commands	<i>EIGRP Command Reference</i>
Basic EIGRP configuration tasks	“Configuring EIGRP” module in the <i>EIGRP Configuration Guide</i>
SNMP commands	<i>SNMP Support Command Reference</i>
SNMP configuration tasks	“Configuring SNMP Support” module in the <i>SNMP Configuration Guide</i>

### Standards and RFCs

Standard/RFC	Title
RFC 1213	<i>Management Information Base for Network Management of TCP/IP-based Internet: MIB-II</i>

## Feature History for EIGRP Wide Metrics

This table provides release and related information for the features explained in this module.

These features are available in all the releases subsequent to the one they were introduced in, unless noted otherwise.

Release	Feature	Feature Information
Cisco IOS XE Fuji 16.8.1a	EIGRP Wide Metrics	The EIGRP Wide Metrics feature supports 64-bit metric calculations and Routing Information Base (RIB) scaling in Enhanced Interior Gateway Routing Protocol (EIGRP) topologies.  Support for this feature was introduced only on the C9500-32C, C9500-32QC, C9500-48Y4C, and C9500-24Y4C models of the Cisco Catalyst 9500 Series Switches.
Cisco IOS XE Cupertino 17.7.1	EIGRP Wide Metrics	Support for this feature was introduced on the C9500X-28C8D model of the Cisco Catalyst 9500 Series Switches.

Use the Cisco Feature Navigator to find information about platform and software image support. To access Cisco Feature Navigator, go to <https://cfmg.cisco.com/>





## CHAPTER 27

# Configuring EIGRP

- [Information About EIGRP, on page 279](#)
- [How to Configure EIGRP, on page 284](#)
- [Monitoring and Maintaining EIGRP, on page 292](#)
- [Feature History for EIGRP, on page 292](#)

## Information About EIGRP

Enhanced IGRP (EIGRP) is a Cisco proprietary enhanced version of the IGRP. EIGRP uses the same distance vector algorithm and distance information as IGRP; however, the convergence properties and the operating efficiency of EIGRP are significantly improved.

The convergence technology employs an algorithm referred to as the Diffusing Update Algorithm (DUAL), which guarantees loop-free operation at every instant throughout a route computation and allows all devices involved in a topology change to synchronize at the same time. Routers that are not affected by topology changes are not involved in recomputations.

IP EIGRP provides increased network width. With RIP, the largest possible width of your network is 15 hops. Because the EIGRP metric is large enough to support thousands of hops, the only barrier to expanding the network is the transport-layer hop counter. EIGRP increments the transport control field only when an IP packet has traversed 15 routers and the next hop to the destination was learned through EIGRP. When a RIP route is used as the next hop to the destination, the transport control field is incremented as usual.

## EIGRP IPv6

Switches support the Enhanced Interior Gateway Routing Protocol (EIGRP) for IPv6. It is configured on the interfaces on which it runs and does not require a global IPv6 address. Switches running Network Essentials only support EIGRPv6 stub routing.

Before running, an instance of EIGRP IPv6 requires an implicit or explicit router ID. An implicit router ID is derived from a local IPv6 address, so any IPv6 node always has an available router ID. However, EIGRP IPv6 might be running in a network with only IPv6 nodes and therefore might not have an available IPv6 router ID.

For configuring EIGRP for IPv6, see the *Configuring EIGRP for IPv6* section.

For more information about EIGRP for IPv6, see the *Cisco IOS IPv6 Configuration Library* on Cisco.com.

## EIGRP Features

EIGRP offers these features:

- Fast convergence.
- Incremental updates when the state of a destination changes, instead of sending the entire contents of the routing table, minimizing the bandwidth required for EIGRP packets.
- Less CPU usage because full update packets need not be processed each time they are received.
- Protocol-independent neighbor discovery mechanism to learn about neighboring routers.
- Variable-length subnet masks (VLSMs).
- Arbitrary route summarization.
- EIGRP scales to large networks.

## EIGRP Components

EIGRP has these four basic components:

- Neighbor discovery and recovery is the process that routers use to dynamically learn of other routers on their directly attached networks. Routers must also discover when their neighbors become unreachable or inoperative. Neighbor discovery and recovery is achieved with low overhead by periodically sending small hello packets. As long as hello packets are received, the Cisco IOS software can learn that a neighbor is alive and functioning. When this status is determined, the neighboring routers can exchange routing information.
- The reliable transport protocol is responsible for guaranteed, ordered delivery of EIGRP packets to all neighbors. It supports intermixed transmission of multicast and unicast packets. Some EIGRP packets must be sent reliably, and others need not be. For efficiency, reliability is provided only when necessary. For example, on a multiaccess network that has multicast capabilities (such as Ethernet), it is not necessary to send hellos reliably to all neighbors individually. Therefore, EIGRP sends a single multicast hello with an indication in the packet informing the receivers that the packet need not be acknowledged. Other types of packets (such as updates) require acknowledgment, which is shown in the packet. The reliable transport has a provision to send multicast packets quickly when there are unacknowledged packets pending. Doing so helps ensure that convergence time remains low in the presence of varying speed links.
- The DUAL finite state machine embodies the decision process for all route computations. It tracks all routes advertised by all neighbors. DUAL uses the distance information (known as a metric) to select efficient, loop-free paths. DUAL selects routes to be inserted into a routing table based on feasible successors. A successor is a neighboring router used for packet forwarding that has a least-cost path to a destination that is guaranteed not to be part of a routing loop. When there are no feasible successors, but there are neighbors advertising the destination, a recomputation must occur. This is the process whereby a new successor is determined. The amount of time it takes to recompute the route affects the convergence time. Recomputation is processor-intensive; it is advantageous to avoid recomputation if it is not necessary. When a topology change occurs, DUAL tests for feasible successors. If there are feasible successors, it uses any it finds to avoid unnecessary recomputation.
- The protocol-dependent modules are responsible for network layer protocol-specific tasks. An example is the IP EIGRP module, which is responsible for sending and receiving EIGRP packets that are

encapsulated in IP. It is also responsible for parsing EIGRP packets and informing DUAL of the new information received. EIGRP asks DUAL to make routing decisions, but the results are stored in the IP routing table. EIGRP is also responsible for redistributing routes learned by other IP routing protocols.



---

**Note** To enable EIGRP, the standalone switch or active switch must be running the Network Advantage license.

---

## EIGRP Nonstop Forwarding

The device supports two levels of EIGRP nonstop forwarding:

- EIGRP NSF Awareness
- EIGRP NSF Capability

### EIGRP NSF Awareness

The Network Advantage license supports EIGRP NSF Awareness for IPv4. When the neighboring router is NSF-capable, the Layer 3 device continues to forward packets from the neighboring router during the interval between the primary Route Processor (RP) in a router failing and the backup RP taking over, or while the primary RP is manually reloaded for a nondisruptive software upgrade. This feature cannot be disabled.

### EIGRP NSF Capability

The Network Advantage license supports EIGRP Cisco NSF routing to speed up convergence and to eliminate traffic loss after an active switch change.

The Network Advantage license also supports EIGRP NSF-capable routing for IPv4 for better convergence and lower traffic loss following an active switch change. When an EIGRP NSF-capable active switch restarts or a new active switch starts up and NSF restarts, the device has no neighbors, and the topology table is empty. The device must bring up the interfaces, reacquire neighbors, and rebuild the topology and routing tables without interrupting the traffic directed toward the device stack. EIGRP peer routers maintain the routes learned from the new active switch and continue forwarding traffic through the NSF restart process.

To prevent an adjacency reset by the neighbors, the new active switch uses a new Restart (RS) bit in the EIGRP packet header to show the restart. When the neighbor receives this, it synchronizes the stack in its peer list and maintains the adjacency with the stack. The neighbor then sends its topology table to the active switch with the RS bit set to show that it is NSF-aware and is aiding the new active switch.

If at least one of the stack peer neighbors is NSF-aware, the active switch receives updates and rebuilds its database. Each NSF-aware neighbor sends an end of table (EOT) marker in the last update packet to mark the end of the table content. The active switch recognizes the convergence when it receives the EOT marker, and it then begins sending updates. When the active switch has received all EOT markers from its neighbors or when the NSF converge timer expires, EIGRP notifies the routing information database (RIB) of convergence and floods its topology table to all NSF-aware peers.

## EIGRP Stub Routing

The EIGRP stub routing feature improves network stability, reduces resource utilization, and simplifies the stub device configuration.

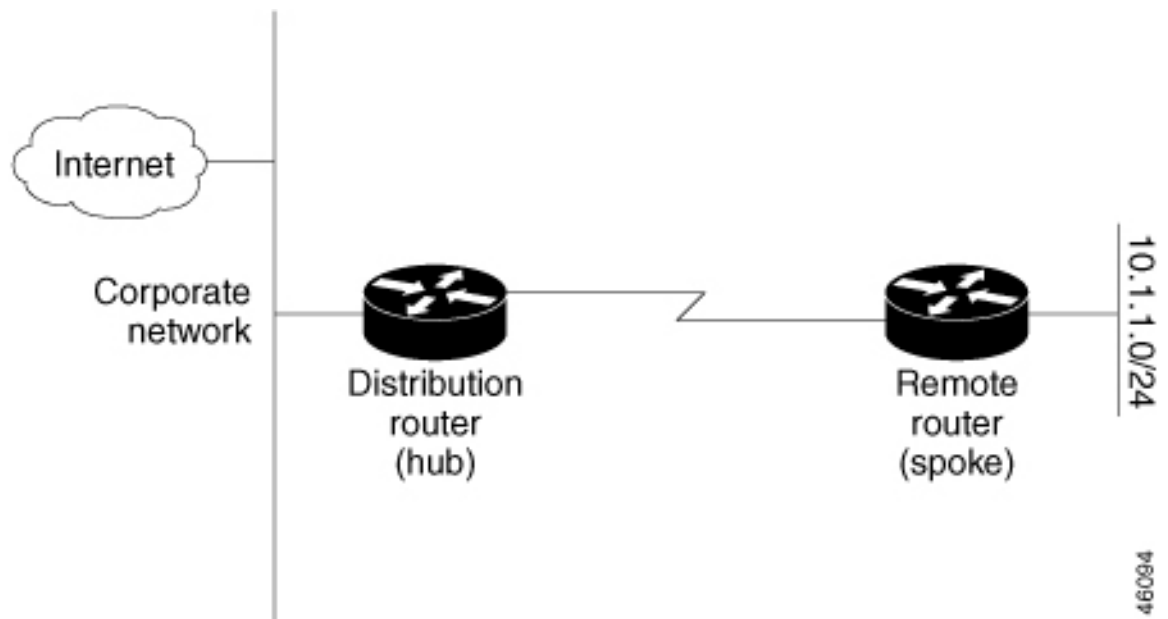
Stub routing is commonly used in hub-and-spoke network topologies. In a hub-and-spoke network, one or more end (stub) networks are connected to a remote device (the spoke) that is connected to one or more distribution devices (the hub). The remote device is adjacent to one or more distribution devices. The only route for IP traffic to reach the remote device is through a distribution device. This type of configuration is commonly used in WAN topologies, where the distribution device is directly connected to a WAN. The distribution device can be connected to many remote devices, which is often the case. In a hub-and-spoke topology, the remote device must forward all nonlocal traffic to a distribution device, so it becomes unnecessary for the remote device to have a complete routing table. Generally, the distribution device need not send anything more than a default route to the remote device.

When using the EIGRP stub routing feature, you need to configure the distribution and remote devices to use EIGRP and configure only the remote device as a stub. Only specified routes are propagated from the remote (stub) device. The stub device responds to all queries for summaries, connected routes, redistributed static routes, external routes, and internal routes with the message “inaccessible.” A device that is configured as a stub will send a special peer information packet to all neighboring devices to report its status as a stub device.

Any neighbor that receives a packet informing it of the stub status will not query the stub device for any routes, and a device that has a stub peer will not query that peer. The stub device will depend on the distribution device to send proper updates to all peers.

The figure below shows a simple hub-and-spoke network.

**Figure 12: Simple Hub-and-Spoke Network**



The stub routing feature by itself does not prevent routes from being advertised to the remote device. In the above example, the remote device can access the corporate network and the Internet only through the distribution device. Having a complete route table on the remote device would serve no functional purpose because the path to the corporate network and the Internet would always be through the distribution device. The large route table would only reduce the amount of memory required by the remote device. Bandwidth and memory

can be conserved by summarizing and filtering routes in the distribution device. The remote device need not receive routes that have been learned from other networks because the remote device must send all nonlocal traffic, regardless of the destination, to the distribution device. If a true stub network is desired, the distribution device should be configured to send only a default route to the remote device. The EIGRP stub routing feature does not automatically enable summarization on distribution devices. In most cases, the network administrator will need to configure summarization on distribution devices.



---

**Note** When configuring the distribution device to send only a default route to the remote device, you must use the **ip classless** command on the remote device. By default, the **ip classless** command is enabled in all Cisco images that support the EIGRP stub routing feature.

---

Without the EIGRP stub routing feature, even after routes that are sent from the distribution device to the remote device have been filtered or summarized, a problem might occur. If a route is lost somewhere in the corporate network, EIGRP could send a query to the distribution device, which in turn would send a query to the remote device, even if routes are being summarized. If there is a communication problem (over the WAN link) between the distribution device and the remote device, an EIGRP stuck in active (SIA) condition could occur and cause instability elsewhere in the network. The EIGRP stub routing feature allows a network administrator to prevent queries from being sent to the remote device.

## EIGRPv6 Stub Routing

The EIGRPv6 stub routing feature, reduces resource utilization by moving routed traffic closer to the end user.

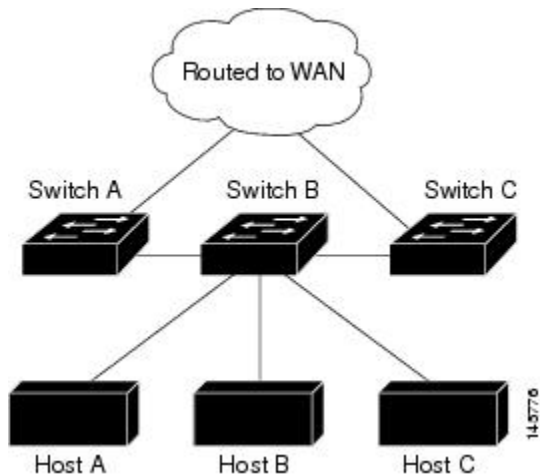
In a network using EIGRPv6 stub routing, the only allowable route for IPv6 traffic to the user is through a switch that is configured with EIGRPv6 stub routing. The switch sends the routed traffic to interfaces that are configured as user interfaces or are connected to other devices.

When using EIGRPv6 stub routing, you need to configure the distribution and remote routers to use EIGRPv6 and to configure only the switch as a stub. Only specified routes are propagated from the switch. The switch responds to all queries for summaries, connected routes, and routing updates.

Any neighbor that receives a packet informing it of the stub status does not query the stub router for any routes, and a router that has a stub peer does not query that peer. The stub router depends on the distribution router to send the proper updates to all peers.

In the figure given below, switch B is configured as an EIGRPv6 stub router. Switches A and C are connected to the rest of the WAN. Switch B advertises connected, static, redistribution, and summary routes to switch A and C. Switch B does not advertise any routes learned from switch A (and the reverse).

Figure 13: EIGRP Stub Router Configuration



For more information about EIGRPv6 stub routing, see “Implementing EIGRP for IPv6” section of the *Cisco IOS IP Configuration Guide, Volume 2 of 3: Routing Protocols, Release 12.4*.

## How to Configure EIGRP

To create an EIGRP routing process, you must enable EIGRP and associate networks. EIGRP sends updates to the interfaces in the specified networks. If you do not specify an interface network, it is not advertised in any EIGRP update.



**Note** If you have routers on your network that are configured for IGRP, and you want to change to EIGRP, you must designate transition routers that have both IGRP and EIGRP configured. In these cases, perform Steps 1 through 3 in the next section and also see the “Configuring Split Horizon” section. You must use the same AS number for routes to be automatically redistributed.

## Default EIGRP Configuration

Table 27: Default EIGRP Configuration

Feature	Default Setting
Auto summary	Disabled.
Default-information	Exterior routes are accepted and default information is passed between processes when doing redistribution.

Feature	Default Setting
Default metric	Only connected routes and interface static routes can be redistributed with a default metric. The metric includes: <ul style="list-style-type: none"> <li>• Bandwidth: 0 or greater kb/s.</li> <li>• Delay (tens of microseconds): 0 or any positive number that is less than 39.1 nanoseconds.</li> <li>• Reliability: any number between 0 and 255 (255 means 100 percent reliability).</li> <li>• Loading: effective bandwidth as a number between 0 and 255 (255 means 100 percent loading).</li> <li>• MTU: maximum transmission unit size of the route in bytes. 0 or any positive integer.</li> </ul>
Distance	Internal distance: 90. External distance: 170.
EIGRP log-neighbor changes	Disabled. No adjacency changes logged.
IP authentication key-chain	No authentication provided.
IP authentication mode	No authentication provided.
IP bandwidth-percent	50 percent.
IP hello interval	For low-speed nonbroadcast multiaccess (NBMA) networks: 60 seconds. For all other networks: 5 seconds.
IP hold-time	For low-speed NBMA networks: 180 seconds; all other networks: 15 seconds.
IP split-horizon	Enabled.
IP summary address	No summary aggregate addresses are predefined.
Metric weights	tos: 0; k1 and k3: 1; k2, k4, and k5: 0
Network	None specified.
Nonstop Forwarding (NSF) Awareness	Enabled for IPv4 on switches running the Network Advantage license. Layer 3 switches to continue forwarding packets from a neighboring router during hardware or software changes.
NSF capability	Disabled. <b>Note</b> The device supports EIGRP NSF-capable routing for IPv4.
Offset-list	Disabled.
Router EIGRP	Disabled.
Set metric	No metric set in the route map.

Feature	Default Setting
Traffic-share	Distributed proportionately to the ratios of the metrics.
Variance	1 (equal-cost load-balancing).

## Configuring Basic EIGRP Parameters

### Procedure

	Command or Action	Purpose
<b>Step 1</b>	<p><b>enable</b></p> <p><b>Example:</b></p> <pre>Device&gt;enable</pre>	<p>Enables privileged EXEC mode.</p> <ul style="list-style-type: none"> <li>• Enter your password if prompted.</li> </ul>
<b>Step 2</b>	<p><b>configure terminal</b></p> <p><b>Example:</b></p> <pre>Device#configure terminal</pre>	<p>Enters global configuration mode.</p>
<b>Step 3</b>	<p><b>router eigrp</b> autonomous-system</p> <p><b>Example:</b></p> <pre>Device (config)#router eigrp 10</pre>	<p>Enables an EIGRP routing process, and enter router configuration mode. The AS number identifies the routes to other EIGRP routers and is used to tag routing information.</p>
<b>Step 4</b>	<p><b>nsf</b></p> <p><b>Example:</b></p> <pre>Device (config-router)#nsf</pre>	<p>(Optional) Enables EIGRP NSF. Enter this command on the active switch and on all of its peers.</p>
<b>Step 5</b>	<p><b>network</b> network-number</p> <p><b>Example:</b></p> <pre>Device (config-router)#network 192.168.0.0</pre>	<p>Associate networks with an EIGRP routing process. EIGRP sends updates to the interfaces in the specified networks.</p>
<b>Step 6</b>	<p><b>eigrp log-neighbor-changes</b></p> <p><b>Example:</b></p> <pre>Device (config-router)#eigrp log-neighbor-changes</pre>	<p>(Optional) Enables logging of EIGRP neighbor changes to monitor routing system stability.</p>
<b>Step 7</b>	<p><b>metric weights</b> <i>tos k1 k2 k3 k4 k5</i></p> <p><b>Example:</b></p>	<p>(Optional) Adjust the EIGRP metric. Although the defaults have been carefully set to provide excellent operation in most networks, you can adjust them.</p>



	Command or Action	Purpose
	Device (config-router) # <b>metric weights 0 2 0 2 0 0</b>	<b>Caution</b> Setting metrics is complex and is not recommended without guidance from an experienced network designer.
<b>Step 8</b>	<b>offset-list</b> [ <i>access-list number   name</i> ] { <b>in   out</b> } <i>offset [type number]</i> <b>Example:</b> Device (config-router) # <b>offset-list 21 out 10</b>	(Optional) Applies an offset list to routing metrics to increase incoming and outgoing metrics to routes learned through EIGRP. You can limit the offset list with an access list or an interface.
<b>Step 9</b>	<b>auto-summary</b> <b>Example:</b> Device (config-router) # <b>auto-summary</b>	(Optional) Enables automatic summarization of subnet routes into network-level routes.
<b>Step 10</b>	<b>interface</b> <i>interface-id</i> <b>Example:</b> Device (config-router) # <b>interface gigabitethernet 1/0/1</b>	Enters interface configuration mode, and specifies the Layer 3 interface to configure.
<b>Step 11</b>	<b>ip summary-address eigrp</b> <i>autonomous-system-number address mask</i> <b>Example:</b> Device (config-if) # <b>ip summary-address eigrp 1 192.168.0.0 255.255.0.0</b>	(Optional) Configures a summary aggregate.
<b>Step 12</b>	<b>end</b> <b>Example:</b> Device (config-if) # <b>end</b>	Returns to privileged EXEC mode.
<b>Step 13</b>	<b>show ip protocols</b> <b>Example:</b> Device# <b>show ip protocols</b>	Verifies your entries. For NSF awareness, the output shows: *** IP Routing is NSF aware *** EIGRP NSF enabled
<b>Step 14</b>	<b>copy running-config startup-config</b> <b>Example:</b> Device# <b>copy running-config startup-config</b>	(Optional) Saves your entries in the configuration file.

## Configuring EIGRP Interfaces

Other optional EIGRP parameters can be configured on an interface basis.

### Procedure

	Command or Action	Purpose
<b>Step 1</b>	<b>enable</b> <b>Example:</b> Device>enable	Enables privileged EXEC mode. <ul style="list-style-type: none"> <li>• Enter your password if prompted.</li> </ul>
<b>Step 2</b>	<b>configure terminal</b> <b>Example:</b> Device#configure terminal	Enters global configuration mode.
<b>Step 3</b>	<b>interface <i>interface-id</i></b> <b>Example:</b> Device (config)#interface gigabitethernet 1/0/1	Enters interface configuration mode, and specifies the Layer 3 interface to configure.
<b>Step 4</b>	<b>ip bandwidth-percent eigrp <i>percent</i></b> <b>Example:</b> Device (config-if)#ip bandwidth-percent eigrp 60	(Optional) Configures the percentage of bandwidth that can be used by EIGRP on an interface. The default is 50 percent.
<b>Step 5</b>	<b>ip summary-address eigrp <i>autonomous-system-number address mask</i></b> <b>Example:</b> Device (config-if)#ip summary-address eigrp 109 192.161.0.0 255.255.0.0	(Optional) Configures a summary aggregate address for a specified interface (not usually necessary if auto-summary is enabled).
<b>Step 6</b>	<b>ip hello-interval eigrp <i>autonomous-system-number seconds</i></b> <b>Example:</b> Device (config-if)#ip hello-interval eigrp 109 10	(Optional) Change the hello time interval for an EIGRP routing process. The range is 1 to 65535 seconds. The default is 60 seconds for low-speed NBMA networks and 5 seconds for all other networks.
<b>Step 7</b>	<b>ip hold-time eigrp <i>autonomous-system-number seconds</i></b> <b>Example:</b> Device (config-if)#ip hold-time eigrp 109 40	(Optional) Change the hold time interval for an EIGRP routing process. The range is 1 to 65535 seconds. The default is 180 seconds for low-speed NBMA networks and 15 seconds for all other networks.

	Command or Action	Purpose
		<b>Caution</b> Do not adjust the hold time without consulting Cisco technical support.
<b>Step 8</b>	<b>no ip split-horizon eigrp</b> <i>autonomous-system-number</i>  <b>Example:</b>  Device(config-if)#no ip split-horizon eigrp 109	(Optional) Disables split horizon to allow route information to be advertised by a router out any interface from which that information originated.
<b>Step 9</b>	<b>end</b>  <b>Example:</b>  Device(config)#end	Returns to privileged EXEC mode.
<b>Step 10</b>	<b>show ip eigrp interface</b>  <b>Example:</b>  Device#show ip eigrp interface	Displays which interfaces EIGRP is active on and information about EIGRP relating to those interfaces.
<b>Step 11</b>	<b>copy running-config startup-config</b>  <b>Example:</b>  Device#copy running-config startup-config	(Optional) Saves your entries in the configuration file.

## Configuring EIGRP for IPv6

Before configuring the switch to run IPv6 EIGRP, enable routing by entering the **ip routing global configuration** command, enable the forwarding of IPv6 packets by entering the **ipv6 unicast-routing global configuration** command, and enable IPv6 on any Layer 3 interfaces on which you want to enable IPv6 EIGRP.

To set an explicit router ID, use the **show ipv6 eigrp** command to see the configured router IDs, and then use the **router-id** command.

As with EIGRP IPv4, you can use EIGRPv6 to specify your EIGRP IPv6 interfaces and to select a subset of those as passive interfaces. Use the **passive-interface** command to make an interface passive, and then use the **no passive-interface** command on selected interfaces to make them active. EIGRP IPv6 does not need to be configured on a passive interface.

For more configuration procedures, see the “Implementing EIGRP for IPv6” chapter in the *Cisco IOS IPv6 Configuration Library* on Cisco.com.

## Configuring EIGRP Route Authentication

EIGRP route authentication provides MD5 authentication of routing updates from the EIGRP routing protocol to prevent the introduction of unauthorized or false routing messages from unapproved sources.

### Procedure

	Command or Action	Purpose
<b>Step 1</b>	<b>enable</b> <b>Example:</b> Device>enable	Enables privileged EXEC mode. <ul style="list-style-type: none"> <li>• Enter your password if prompted.</li> </ul>
<b>Step 2</b>	<b>configure terminal</b> <b>Example:</b> Device#configure terminal	Enters global configuration mode.
<b>Step 3</b>	<b>interface interface-id</b> <b>Example:</b> Device(config)#interface gigabitethernet 1/0/1	Enters interface configuration mode, and specifies the Layer 3 interface to configure.
<b>Step 4</b>	<b>ip authentication mode eigrp            autonomous-system md5</b> <b>Example:</b> Device(config-if)#ip authentication mode eigrp 104 md5	Enables MD5 authentication in IP EIGRP packets.
<b>Step 5</b>	<b>ip authentication key-chain eigrp            autonomous-system key-chain</b> <b>Example:</b> Device(config-if)#ip authentication key-chain eigrp 105 chain1	Enables authentication of IP EIGRP packets.
<b>Step 6</b>	<b>exit</b> <b>Example:</b> Device(config-if)#exit	Returns to global configuration mode.
<b>Step 7</b>	<b>key chain name-of-chain</b> <b>Example:</b> Device(config)#key chain chain1	Identify a key chain and enter key-chain configuration mode. Match the name configured in Step 4.

	Command or Action	Purpose
<b>Step 8</b>	<b>key number</b> <b>Example:</b> Device (config-keychain) #key 1	In key-chain configuration mode, identify the key number.
<b>Step 9</b>	<b>key-string text</b> <b>Example:</b> Device (config-keychain-key) #key-string key1	In key-chain key configuration mode, identify the key string.
<b>Step 10</b>	<b>accept-lifetime start-time {infinite   end-time   duration seconds}</b> <b>Example:</b> Device (config-keychain-key) #accept-lifetime 13:30:00 Jan 25 2011 duration 7200	(Optional) Specifies the time period during which the key can be received.  The <i>start-time</i> and <i>end-time</i> syntax can be either <i>hh:mm:ss Month date year</i> or <i>hh:mm:ss date Month year</i> . The default is forever with the default <i>start-time</i> and the earliest acceptable date as January 1, 1993. The default <i>end-time</i> and <b>duration</b> is <b>infinite</b> .
<b>Step 11</b>	<b>send-lifetime start-time {infinite   end-time   duration seconds}</b> <b>Example:</b> Device (config-keychain-key) #send-lifetime 14:00:00 Jan 25 2011 duration 3600	(Optional) Specifies the time period during which the key can be sent.  The <i>start-time</i> and <i>end-time</i> syntax can be either <i>hh:mm:ss Month date year</i> or <i>hh:mm:ss date Month year</i> . The default is forever with the default <i>start-time</i> and the earliest acceptable date as January 1, 1993. The default <i>end-time</i> and <b>duration</b> is <b>infinite</b> .
<b>Step 12</b>	<b>end</b> <b>Example:</b> Device (config) #end	Returns to privileged EXEC mode.
<b>Step 13</b>	<b>show key chain</b> <b>Example:</b> Device#show key chain	Displays authentication key information.
<b>Step 14</b>	<b>copy running-config startup-config</b> <b>Example:</b> Device#copy running-config startup-config	(Optional) Saves your entries in the configuration file.

## Monitoring and Maintaining EIGRP

You can delete neighbors from the neighbor table. You can also display various EIGRP routing statistics. The table given below lists the privileged EXEC commands for deleting neighbors and displaying statistics.

**Table 28: IP EIGRP Clear and Show Commands**

Command	Purpose
<code>clear ip eigrp neighbors</code> [ <i>if-address</i>   <i>interface</i> ]	Deletes neighbors from the neighbor table.
<code>show ip eigrp interface</code> [ <i>interface</i> ] [ <i>as number</i> ]	Displays information about interface.
<code>show ip eigrp neighbors</code> [ <i>type-number</i> ]	Displays EIGRP discovered neighbors.
<code>show ip eigrp topology</code> [ <i>autonomous-system-number</i> ]   [[ <i>ip-address</i> ] <i>mask</i> ]	Displays the EIGRP topology table.
<code>show ip eigrp traffic</code> [ <i>autonomous-system-number</i> ]	Displays the number of packets sent and received by the process.

## Feature History for EIGRP

This table provides release and related information for the features explained in this module.

These features are available in all the releases subsequent to the one they were introduced in, unless noted otherwise.

Release	Feature	Feature Information
Cisco IOS XE Everest 16.5.1a	EIGRP	Enhanced IGRP (EIGRP) is a Cisco proprietary enhanced version of the IGRP. EIGRP uses the same distance vector algorithm and distance information as IGRP; however, the convergence properties and the operating efficiency of EIGRP are significantly improved.  Support for this feature was introduced only on the C9500-12Q, C9500-16X, C9500-24Q, C9500-40X models of the Cisco Catalyst 9500 Series Switches.

Release	Feature	Feature Information
Cisco IOS XE Fuji 16.8.1a	EIGRP	Enhanced IGRP (EIGRP) is a Cisco proprietary enhanced version of the IGRP. EIGRP uses the same distance vector algorithm and distance information as IGRP; however, the convergence properties and the operating efficiency of EIGRP are significantly improved.  Support for this feature was introduced only on the C9500-32C, C9500-32QC, C9500-48Y4C, and C9500-24Y4C models of the Cisco Catalyst 9500 Series Switches.
Cisco IOS XE Cupertino 17.7.1	EIGRP	Support for this feature was introduced on the C9500X-28C8D model of the Cisco Catalyst 9500 Series Switches.

Use the Cisco Feature Navigator to find information about platform and software image support. To access Cisco Feature Navigator, go to <https://cfng.cisco.com/>







## CHAPTER 28

# Configuring EIGRP Loop-Free Alternate IP Fast Reroute

---

The Enhanced Interior Gateway Routing Protocol Loop-Free Alternate IP Fast Reroute feature allows the EIGRP to reduce the routing transition time to less than 50 ms by precomputing repair paths or backup routes and installing these paths or routes in the routing information base (RIB). Fast Reroute (FRR) is the mechanism that enables traffic that traverses a failed link to be rerouted around the failure. In EIGRP networks, precomputed backup routes or repair paths are known as feasible successors or LFAs. This module describes how to configure the EIGRP Loop-Free Alternate Fast Reroute feature and enable load-sharing and tie-breaking configurations for the feasible successors or Loop-Free Alternates (LFAs) that are identified by EIGRP.

- [Restrictions for EIGRP Loop-Free Alternate IP Fast Reroute, on page 295](#)
- [Information About EIGRP Loop-Free Alternate IP Fast Reroute, on page 296](#)
- [How to Configure EIGRP Loop-Free Alternate IP Fast Reroute, on page 297](#)
- [Configuration Examples for EIGRP Loop-Free Alternate IP Fast Reroute, on page 300](#)
- [Feature History for EIGRP Loop-Free Alternate IP Fast Reroute, on page 302](#)

## Restrictions for EIGRP Loop-Free Alternate IP Fast Reroute

- IPv6 Loop-Free Alternate (LFA) IP Fast Reroute (FRR) is not supported.
- LFA IP FRR is not supported with primary path or backup path as Multiprotocol Label Switching (MPLS).
- LFA IP FRR is not supported with primary path or backup path as Equal-Cost Multipath (ECMP).
- LFA IP FRR is only available in network-advantage license level.
- Generic Routing Encapsulation (GRE) tunnel as primary path is not supported.
- The convergence time may be higher in cases of high CPU utilization.
- The convergence time is dependent on the primary link status detection. Therefore, if the physical link goes down, in cases of logical interfaces such as Switched Virtual interface (SVI) and port channels, the convergence time is expected to be higher.

# Information About EIGRP Loop-Free Alternate IP Fast Reroute

The following sections provide detailed information about EIGRP Loop-Free Alternate IP Fast Reroute.

## Repair Paths Overview

When a link or a device fails, distributed routing algorithms compute new routes or repair paths. The time taken for this computation is called routing transition. Until the transition is complete and all the devices are converged on a common view of the network, the connectivity between the source and destination pairs of devices is interrupted. Repair paths forward traffic during a routing transition.

When a link or a device fails, initially, only the neighboring devices are aware of the failure. All the other devices in the network are unaware of the nature and location of this failure until information about this failure is propagated through the routing protocol. The propagation of this information may take several hundred milliseconds. Meanwhile, packets affected by the network failure need to be steered to their destinations. A device adjacent to the failed link employs a set of repair paths for packets that would have used the failed link. These repair paths are used from the time the router detects the failure until the routing transition is complete. By the time the routing transition is complete, all the devices in the network revise their forwarding data, and the failed link is eliminated from the routing computation. Routing protocols precompute repair paths in anticipation of failures so that the repair paths can be activated the moment a failure is detected. In EIGRP networks, precomputed repair paths or backup routes are known as feasible successors or LFAs.

## LFA Computation

An LFA is a precomputed next-hop route that delivers a packet to its destination without looping back. Traffic is redirected to an LFA after a network failure, and the LFA makes the forwarding decision without any knowledge of the failure.

Interior Gateway Protocols (IGPs) compute LFAs in the following ways:

- **Per-link (link-based) computation:** In link-based LFAs, all the prefixes (networks) that are reachable through the primary (protected) link share the same backup information. This means that the whole set of prefixes sharing the primary link also share the repair or the Fast Reroute (FRR) ability. The per-link approach protects only the next-hop address. It need not necessarily protect the destination node. Therefore, the per-link approach is suboptimal and not the best approach for capacity planning because all traffic from the primary link is redirected to the next hop instead of being spread over multiple paths. Redirecting all traffic to the next hop may lead to congestion on the link to the next hop.
- **Per-prefix (prefix-based) computation:** Prefix-based LFAs allow computing backup information per prefix (network) and protect the destination address. The per-prefix approach is preferred over the per-link approach because of its greater applicability and better bandwidth utilization. Per-prefix computations provide better load sharing and better protection coverage than per-link computations because per-prefix computations evaluate all possible LFAs and use tie-breakers to select the best LFA from among the available LFAs.



---

**Note** The repair or backup information computed for a primary path by using prefix-based LFAs may be different from that computed by using link-based LFAs.

---

EIGRP always computes prefix-based LFAs. EIGRP uses the Diffusing Update Algorithm (DUAL) to calculate the successor and feasible successors. EIGRP uses the successor as the primary path and feasible successors as repair paths or LFAs.

## LFA Tie-Breaking Rules

When there are multiple candidate LFAs for a given primary path, EIGRP uses a tie-breaking rule to select one LFA per primary path per prefix. A tie-breaking rule considers LFAs that satisfy certain conditions or have certain attributes. EIGRP uses the following four attributes to implement tie-breaking rules:

- **Interface-disjoint:** Eliminates LFAs that share the outgoing interface with the protected path.
- **Linecard-disjoint:** Eliminates LFAs that share the line card with the protected path.
- **Lowest-repair-path-metric:** Eliminates LFAs whose metric to the protected prefix is high. Multiple LFAs with the same lowest path metric may remain in the routing table after this tie-breaker is applied.
- **Shared Risk Link Group-disjoint:** Eliminates LFAs that belong to any of the protected path Shared Risk Link Groups (SRLGs). SRLGs refer to situations where links in a network share a common fiber (or a common physical attribute). If one link fails, other links in the group may also fail. Therefore, links in a group share risks.

# How to Configure EIGRP Loop-Free Alternate IP Fast Reroute

The following sections provide information about the various tasks that comprise the configuration of EIGRP loop-free alternate IP fast reroute.

## Configuring LFA IP FRRs Per Prefix

Perform this task to configure LFA IP FRRs per prefix in an EIGRP network. You can enable LFAs for all the available prefixes in the EIGRP topology, or for prefixes specified by route maps.

### Procedure

	Command or Action	Purpose
<b>Step 1</b>	<b>enable</b> <b>Example:</b> Device> <b>enable</b>	Enables privileged EXEC mode. Enter your password, if prompted.
<b>Step 2</b>	<b>configure terminal</b> <b>Example:</b> Device# <b>configure terminal</b>	Enters global configuration mode.
<b>Step 3</b>	<b>router eigrp</b> <i>virtual-name</i> <b>Example:</b> Device(config)# <b>router eigrp name</b>	Configures an EIGRP routing process and enters router configuration mode.

	Command or Action	Purpose
Step 4	<b>address-family ipv4 autonomous-system</b> <i>autonomous-system-number</i>  <b>Example:</b> Device(config-router)# <b>address-family</b> <b>ipv4 autonomous-system 1</b>	Enters IPv4 VRF address family configuration mode and configures an EIGRP routing instance.
Step 5	<b>topology base</b>  <b>Example:</b> Device(config-router-af)# <b>topology base</b>	Configures a base EIGRP topology and enters router address family topology configuration mode.
Step 6	<b>fast-reroute per-prefix {all   route-map</b> <i>route-map-name</i>  <b>Example:</b> Device(config-router-af-topology)# <b>fast-reroute per-prefix all</b>	Enables IP FRR for all the prefixes in the topology.  Enter the <b>route-map</b> keyword to enable IP FRR on prefixes specified by a route map.
Step 7	<b>end</b>  <b>Example:</b> Device(config-router-af-topology)# <b>end</b>	Exits router address family topology configuration mode and returns to privileged EXEC mode.
Step 8	<b>show ip eigrp topology frr</b>  <b>Example:</b> Device# <b>show ip eigrp topology frr</b>	Displays the list of configured LFAs in the EIGRP topology table.

## Disabling Load Sharing Among Prefixes

When the primary path is an Equal Cost Multipath (ECMP) path with multiple LFAs, prefixes (networks) are distributed equally among the LFAs because the default behavior for ECMP paths is load sharing. However, you can control the selection of LFAs by enabling tie-breaking configurations. Perform this task to disable load sharing among prefixes.

### Procedure

	Command or Action	Purpose
Step 1	<b>enable</b>  <b>Example:</b> Device> <b>enable</b>	Enables privileged EXEC mode.  Enter your password, if prompted.
Step 2	<b>configure terminal</b>  <b>Example:</b> Device# <b>configure terminal</b>	Enters global configuration mode.
Step 3	<b>router eigrp</b> <i>virtual-name</i>  <b>Example:</b>	Configures an EIGRP routing process and enters router configuration mode.

	Command or Action	Purpose
	Device(config)# <b>router eigrp name</b>	
<b>Step 4</b>	<b>address-family ipv4 autonomous-system</b> <i>autonomous-system-number</i>  <b>Example:</b> Device(config-router)# <b>address-family</b> <b>ipv4 autonomous-system 1</b>	Enters IPv4 VRF address family configuration mode and configures an EIGRP routing instance.
<b>Step 5</b>	<b>topology base</b>  <b>Example:</b> Device(config-router-af)# <b>topology base</b>	Configures a base EIGRP topology and enters router address family topology configuration mode.
<b>Step 6</b>	<b>fast-reroute load-sharing disable</b>  <b>Example:</b> Device(config-router-af-topology)# <b>fast-reroute load-sharing disable</b>	Disables load sharing among prefixes.
<b>Step 7</b>	<b>end</b>  <b>Example:</b> Device(config-router-af-topology)# <b>end</b>	Exits router address family topology configuration mode and returns to privileged EXEC mode.
<b>Step 8</b>	<b>show ip eigrp topology frr</b>  <b>Example:</b> Device# <b>show ip eigrp topology frr</b>	Displays the list of configured feasible successors or LFAs in the EIGRP topology table.

## Enabling Tie-Breaking Rules for EIGRP LFAs

Perform this task to enable tie-breaking rules to select a single LFA when there are multiple LFAs for a given primary path. The EIGRP allows you to use four attributes to configure tie-breaking rules. Each of the following keywords of the **fast-reroute tie-break** command allows you to configure a tie-breaking rule based on a specific attribute—**interface-disjoint**, **linecard-disjoint**, **lowest-backup-path-metric**, and **srlg-disjoint**. You can assign a priority value for each attribute. Tie-breaking rules are applied on the basis of the priority assigned to each attribute. The lower the assigned priority value, the higher the priority of the tie-breaking attribute.

### Procedure

	Command or Action	Purpose
<b>Step 1</b>	<b>enable</b>  <b>Example:</b> Device> <b>enable</b>	Enables privileged EXEC mode.  Enter your password, if prompted.
<b>Step 2</b>	<b>configure terminal</b>  <b>Example:</b> Device# <b>configure terminal</b>	Enters global configuration mode.

	Command or Action	Purpose
<b>Step 3</b>	<b>router eigrp</b> <i>virtual-name</i>  <b>Example:</b> Device(config)# <b>router eigrp name</b>	Configures an EIGRP routing process and enters router configuration mode.
<b>Step 4</b>	<b>address-family ipv4 autonomous-system</b> <i>autonomous-system-number</i>  <b>Example:</b> Device(config-router)# <b>address-family ipv4 autonomous-system 1</b>	Enters IPv4 VRF address family configuration mode and configures an EIGRP routing instance.
<b>Step 5</b>	<b>topology base</b>  <b>Example:</b> Device(config-router-af)# <b>topology base</b>	Configures a base EIGRP topology and enters router address family topology configuration mode.
<b>Step 6</b>	<b>fast-reroute tie-break</b> { <b>interface-disjoint</b>   <b>linecard-disjoint</b>   <b>lowest-backup-path-metric</b>   <b>srlg-disjoint</b> } <i>priority-number</i>  <b>Example:</b> Device(config-router-af-topology)# <b>fast-reroute tie-break lowest-backup-path-metric 2</b>	Enables EIGRP to select an LFA by configuring a tie-breaking attribute and assigning a priority to that attribute.  <b>Note</b> You cannot configure an attribute more than once in an address family.
<b>Step 7</b>	<b>end</b>  <b>Example:</b> Device(config-router-af-topology)# <b>end</b>	Exits router address family topology configuration mode and returns to privileged EXEC mode.
<b>Step 8</b>	<b>show ip eigrp topology frr</b>  <b>Example:</b> Device# <b>show ip eigrp topology frr</b>	Displays the list of configured feasible successors or LFAs in the EIGRP topology table.

## Configuration Examples for EIGRP Loop-Free Alternate IP Fast Reroute

The following sections provide various examples of the EIGRP loop-free alternate IP fast reroute configuration.

### Example: Configuring LFA IP FRRs Per Prefix

The following example shows how to configure EIGRP LFA IP FRRs for prefixes specified by the route map named map1:

```
Device> enable
Device# configure terminal
Device(config)# router eigrp name
Device(config-router)# address-family ipv4 autonomous-system 1
```

```
Device(config-router-af)# topology base
Device(config-router-af-topology)# fast-reroute per-prefix route-map map1
Device(config-router-af-topology)# end
```

## Example: Disabling Load Sharing Among Prefixes

The following example shows how to disable load sharing among prefixes:

```
Device> enable
Device# configure terminal
Device(config)# router eigrp name
Device(config-router)# address-family ipv4 autonomous-system 1
Device(config-router-af)# topology base
Device(config-router-af-topology)# fast-reroute load-sharing disable
Device(config-router-af-topology)# end
```

## Example: Enabling Tie-Breaking Rules

The following examples show how to enable tie-breaking configurations to allow the EIGRP to select an LFA when there are multiple candidate LFAs for a given primary path.

The following example shows how to enable the tie-breaking rule that eliminates LFAs that share the outgoing interface with the primary path:

```
Device> enable
Device# configure terminal
Device(config)# router eigrp name
Device(config-router)# address-family ipv4 autonomous-system 1
Device(config-router-af)# topology base
Device(config-router-af-topology)# fast-reroute tie-break interface-disjoint 2
Device(config-router-af-topology)# end
```

The following example shows how to enable the tie-breaking rule that eliminates LFAs that share the linecard with the primary path:

```
Device> enable
Device# configure terminal
Device(config)# router eigrp name
Device(config-router)# address-family ipv4 autonomous-system 1
Device(config-router-af)# topology base
Device(config-router-af-topology)# fast-reroute tie-break linecard-disjoint 3
Device(config-router-af-topology)# end
```

The following example shows how to enable the tie-breaking rule that selects the LFA with the lowest metric:

```
Device> enable
Device# configure terminal
Device(config)# router eigrp name
Device(config-router)# address-family ipv4 autonomous-system 1
Device(config-router-af)# topology base
Device(config-router-af-topology)# fast-reroute tie-break lowest-backup-path-metric 4
Device(config-router-af-topology)# end
```

The following example shows how to enable the tie-breaking rule that eliminates LFAs that share SRLGs with the primary path:

```

Device> enable
Device# configure terminal
Device(config)# router eigrp name
Device(config-router)# address-family ipv4 autonomous-system 1
Device(config-router-af)# topology base
Device(config-router-af-topology)# fast-reroute tie-break srlg-disjoint 1
Device(config-router-af-topology)# end

```

## Feature History for EIGRP Loop-Free Alternate IP Fast Reroute

This table provides release and related information for the features explained in this module.

These features are available in all the releases subsequent to the one they were introduced in, unless noted otherwise.

Release	Feature	Feature Information
Cisco IOS XE Fuji 16.8.1a	EIGRP Loop-Free Alternate IP Fast Reroute	<p>The EIGRP Loop-Free Alternate IP Fast Reroute feature allows the EIGRP to reduce the routing transition time to less than 50 ms by precomputing repair paths or backup routes and installing these paths or routes in the RIB. In EIGRP networks, the precomputed backup routes are known as feasible successors or LFAs.</p> <p>Support for this feature was introduced only on the C9500-32C, C9500-32QC, C9500-48Y4C, and C9500-24Y4C models of the Cisco Catalyst 9500 Series Switches.</p>

Use the Cisco Feature Navigator to find information about platform and software image support. To access Cisco Feature Navigator, go to <https://cfmng.cisco.com/>





## CHAPTER 29

# Configuring BGP

---

- [Restrictions for BGP, on page 303](#)
- [Information About BGP, on page 303](#)
- [How to Configure BGP, on page 315](#)
- [Configuration Examples for BGP, on page 355](#)
- [Monitoring and Maintaining BGP, on page 357](#)
- [Feature History for Border Gateway Protocol, on page 358](#)

## Restrictions for BGP

- The BGP hold time must always be configured higher than the Graceful Restart hold time on a device, even with Graceful Restart disabled. A peer device with an unsupported hold time can establish a session with a device through an open message, but once Graceful Restart is enabled the session will flap.
- Layer 3 forwarding is delayed until routing tables are populated on a device when you switch on the device or execute the **clear ip bgp** command.



---

**Note** The routing tables require around 80 seconds for population. You can use the **show ip bgp ip-address** command, in privileged EXEC mode, to check whether the routing tables are populated or not.

---

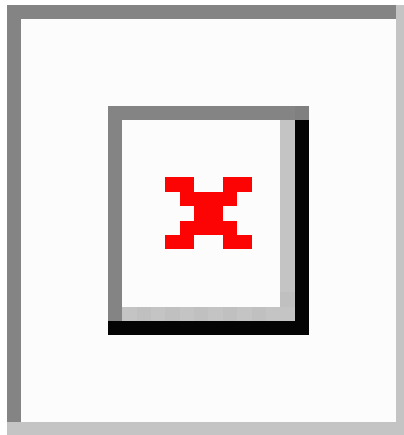
## Information About BGP

The Border Gateway Protocol (BGP) is an exterior gateway protocol used to set up an interdomain routing system that guarantees the loop-free exchange of routing information between autonomous systems. Autonomous systems are made up of routers that operate under the same administration and that run Interior Gateway Protocols (IGPs), such as RIP or OSPF, within their boundaries and that interconnect by using an Exterior Gateway Protocol (EGP). BGP Version 4 is the standard EGP for interdomain routing in the Internet. The protocol is defined in RFCs 1163, 1267, and 1771.

## BGP Network Topology

Routers that belong to the same autonomous system (AS) and that exchange BGP updates run internal BGP (IBGP), and routers that belong to different autonomous systems and that exchange BGP updates run external BGP (EBGP). Most configuration commands are the same for configuring EBGP and IBGP. The difference is that the routing updates are exchanged either between autonomous systems (EBGP) or within an AS (IBGP). The figure given below shows a network that is running both EBGP and IBGP.

**Figure 14: EBGP, IBGP, and Multiple Autonomous Systems**



Before exchanging information with an external AS, BGP ensures that networks within the AS can be reached by defining internal BGP peering among routers within the AS and by redistributing BGP routing information to IGPs that run within the AS, such as IGRP and OSPF.

Routers that run a BGP routing process are often referred to as BGP speakers. BGP uses the Transmission Control Protocol (TCP) as its transport protocol (specifically port 179). Two BGP speakers that have a TCP connection to each other for exchanging routing information are known as peers or neighbors. In the above figure, Routers A and B are BGP peers, as are Routers B and C and Routers C and D. The routing information is a series of AS numbers that describe the full path to the destination network. BGP uses this information to construct a loop-free map of autonomous systems.

The network has these characteristics:

- Routers A and B are running EBGP, and Routers B and C are running IBGP. Note that the EBGP peers are directly connected and that the IBGP peers are not. As long as there is an IGP running that allows the two neighbors to reach one another, IBGP peers do not have to be directly connected.
- All BGP speakers within an AS must establish a peer relationship with each other. That is, the BGP speakers within an AS must be fully meshed logically. BGP4 provides two techniques that reduce the requirement for a logical full mesh: confederations and route reflectors.
- AS 200 is a transit AS for AS 100 and AS 300—that is, AS 200 is used to transfer packets between AS 100 and AS 300.

BGP peers initially exchange their full BGP routing tables and then send only incremental updates. BGP peers also exchange keepalive messages (to ensure that the connection is up) and notification messages (in response to errors or special conditions).

In BGP, each route consists of a network number, a list of autonomous systems that information has passed through (the autonomous system path), and a list of other path attributes. The primary function of a BGP

system is to exchange network reachability information, including information about the list of AS paths, with other BGP systems. This information can be used to determine AS connectivity, to prune routing loops, and to enforce AS-level policy decisions.

A router or device running Cisco IOS does not select or use an IBGP route unless it has a route available to the next-hop router and it has received synchronization from an IGP (unless IGP synchronization is disabled). When multiple routes are available, BGP bases its path selection on attribute values. See the “Configuring BGP Decision Attributes” section for information about BGP attributes.

BGP Version 4 supports classless interdomain routing (CIDR) so you can reduce the size of your routing tables by creating aggregate routes, resulting in supernets. CIDR eliminates the concept of network classes within BGP and supports the advertising of IP prefixes.

## Nonstop Forwarding Awareness

The BGP NSF Awareness feature is supported for IPv4 in the Network Advantage license.. To enable this feature with BGP routing, you need to enable Graceful Restart. When the neighboring router is NSF-capable, and this feature is enabled, the Layer 3 device continues to forward packets from the neighboring router during the interval between the primary Route Processor (RP) in a router failing and the backup RP taking over, or while the primary RP is manually reloaded for a nondisruptive software upgrade.

## Information About BGP Routing

To enable BGP routing, you establish a BGP routing process and define the local network. Because BGP must completely recognize the relationships with its neighbors, you must also specify a BGP neighbor.

BGP supports two kinds of neighbors: internal and external. Internal neighbors are in the same AS; external neighbors are in different autonomous systems. External neighbors are usually adjacent to each other and share a subnet, but internal neighbors can be anywhere in the same AS.

The switch supports the use of private AS numbers, usually assigned by service providers and given to systems whose routes are not advertised to external neighbors. The private AS numbers are from 64512 to 65535. You can configure external neighbors to remove private AS numbers from the AS path by using the **neighbor remove-private-as** router configuration command. Then when an update is passed to an external neighbor, if the AS path includes private AS numbers, these numbers are dropped.

If your AS will be passing traffic through it from another AS to a third AS, it is important to be consistent about the routes it advertises. If BGP advertised a route before all routers in the network had learned about the route through the IGP, the AS might receive traffic that some routers could not yet route. To prevent this from happening, BGP must wait until the IGP has propagated information across the AS so that BGP is synchronized with the IGP. Synchronization is enabled by default. If your AS does not pass traffic from one AS to another AS, or if all routers in your autonomous systems are running BGP, you can disable synchronization, which allows your network to carry fewer routes in the IGP and allows BGP to converge more quickly.

## Routing Policy Changes

Routing policies for a peer include all the configurations that might affect inbound or outbound routing table updates. When you have defined two routers as BGP neighbors, they form a BGP connection and exchange routing information. If you later change a BGP filter, weight, distance, version, or timer, or make a similar configuration change, you must reset the BGP sessions so that the configuration changes take effect.

There are two types of reset, hard reset and soft reset. Cisco IOS Releases 12.1 and later support a soft reset without any prior configuration. To use a soft reset without preconfiguration, both BGP peers must support the soft route refresh capability, which is advertised in the OPEN message sent when the peers establish a TCP session. A soft reset allows the dynamic exchange of route refresh requests and routing information between BGP routers and the subsequent re-advertisement of the respective outbound routing table.

- When soft reset generates inbound updates from a neighbor, it is called dynamic inbound soft reset.
- When soft reset sends a set of updates to a neighbor, it is called outbound soft reset.

A soft inbound reset causes the new inbound policy to take effect. A soft outbound reset causes the new local outbound policy to take effect without resetting the BGP session. As a new set of updates is sent during outbound policy reset, a new inbound policy can also take effect.

The table given below lists the advantages and disadvantages hard reset and soft reset.

**Table 29: Advantages and Disadvantages of Hard and Soft Resets**

Type of Reset	Advantages	Disadvantages
Hard reset	No memory overhead	The prefixes in the BGP, IP, and FIB tables provided by the neighbor are lost. Not recommended.
Outbound soft reset	No configuration, no storing of routing table updates	Does not reset inbound routing table updates
Dynamic inbound soft reset	Does not clear the BGP session and cache Does not require storing of routing table updates and has no memory overhead	Both BGP routers must support the soft route refresh capability (in Cisco IOS Release 12.1 and later)

## BGP Decision Attributes

When a BGP speaker receives updates from multiple autonomous systems that describe different paths to the same destination, it must choose the single best path for reaching that destination. When chosen, the selected path is entered into the BGP routing table and propagated to its neighbors. The decision is based on the value of attributes that the update contains and other BGP-configurable factors.

When a BGP peer learns two EBGP paths for a prefix from a neighboring AS, it chooses the best path and inserts that path in the IP routing table. If BGP multipath support is enabled and the EBGP paths are learned from the same neighboring autonomous systems, instead of a single best path, multiple paths are installed in the IP routing table. Then, during packet switching, per-packet or per-destination load-balancing is performed among the multiple paths. The **maximum-paths** router configuration command controls the number of paths allowed.

These factors summarize the order in which BGP evaluates the attributes for choosing the best path:

1. If the path specifies a next hop that is inaccessible, drop the update. The BGP next-hop attribute, automatically determined by the software, is the IP address of the next hop that is going to be used to reach a destination. For EBGP, this is usually the IP address of the neighbor specified by the **neighbor remote-as router** configuration command. You can disable next-hop processing by using route maps or the **neighbor next-hop-self** router configuration command.

2. Prefer the path with the largest weight (a Cisco proprietary parameter). The weight attribute is local to the router and not propagated in routing updates. By default, the weight attribute is 32768 for paths that the router originates and zero for other paths. Routes with the largest weight are preferred. You can use access lists, route maps, or the **neighbor weight** router configuration command to set weights.
3. Prefer the route with the highest local preference. Local preference is part of the routing update and exchanged among routers in the same AS. The default value of the local preference attribute is 100. You can set local preference by using the **bgp default local-preference** router configuration command or by using a route map.
4. Prefer the route that was originated by BGP running on the local router.
5. Prefer the route with the shortest AS path.
6. Prefer the route with the lowest origin type. An interior route or IGP is lower than a route learned by EGP, and an EGP-learned route is lower than one of unknown origin or learned in another way.
7. Prefer the route with the lowest multi-exit discriminator (MED) metric attribute if the neighboring AS is the same for all routes considered. You can configure the MED by using route maps or by using the **default-metric** router configuration command. When an update is sent to an IBGP peer, the MED is included.
8. Prefer the external (EBGP) path over the internal (IBGP) path.
9. Prefer the route that can be reached through the closest IGP neighbor (the lowest IGP metric). This means that the router will prefer the shortest internal path within the AS to reach the destination (the shortest path to the BGP next-hop).
10. If the following conditions are all true, insert the route for this path into the IP routing table:
  - Both the best route and this route are external.
  - Both the best route and this route are from the same neighboring autonomous system.
  - Maximum-paths is enabled.
11. If multipath is not enabled, prefer the route with the lowest IP address value for the BGP router ID. The router ID is usually the highest IP address on the router or the loopback (virtual) address, but might be implementation-specific.

## Route Maps

Within BGP, route maps can be used to control and to modify routing information and to define the conditions by which routes are redistributed between routing domains. Each route map has a name that identifies the route map (*map tag*) and an optional sequence number.

## BGP Filtering

You can filter BGP advertisements by using AS-path filters, such as the **as-path access-list** global configuration command and the **neighbor filter-list** router configuration command. You can also use access lists with the **neighbor distribute-list** router configuration command. Distribute-list filters are applied to network numbers. See the “Controlling Advertising and Processing in Routing Updates” section for information about the **distribute-list** command.

You can use route maps on a per-neighbor basis to filter updates and to modify various attributes. A route map can be applied to either inbound or outbound updates. Only the routes that pass the route map are sent or accepted in updates. On both inbound and outbound updates, matching is supported based on AS path, community, and network numbers. Autonomous system path matching requires the **match as-path access-list** route-map command, community based matching requires the **match community-list** route-map command, and network-based matching requires the **ip access-list** global configuration command.

## Prefix List for BGP Filtering

You can use prefix lists as an alternative to access lists in many BGP route filtering commands, including the **neighbor distribute-list** router configuration command. The advantages of using prefix lists include performance improvements in loading and lookup of large lists, incremental update support, easier CLI configuration, and greater flexibility.

Filtering by a prefix list involves matching the prefixes of routes with those listed in the prefix list, as when matching access lists. When there is a match, the route is used. Whether a prefix is permitted or denied is based upon these rules:

- An empty prefix list permits all prefixes.
- An implicit deny is assumed if a given prefix does not match any entries in a prefix list.
- When multiple entries of a prefix list match a given prefix, the sequence number of a prefix list entry identifies the entry with the lowest sequence number.

By default, sequence numbers are generated automatically and incremented in units of five. If you disable the automatic generation of sequence numbers, you must specify the sequence number for each entry. You can specify sequence values in any increment. If you specify increments of one, you cannot insert additional entries into the list; if you choose very large increments, you might run out of values.

## BGP Community Filtering

One way that BGP controls the distribution of routing information based on the value of the COMMUNITIES attribute. The attribute is a way to groups destinations into communities and to apply routing decisions based on the communities. This method simplifies configuration of a BGP speaker to control distribution of routing information.

A community is a group of destinations that share some common attribute. Each destination can belong to multiple communities. AS administrators can define to which communities a destination belongs. By default, all destinations belong to the general Internet community. The community is identified by the COMMUNITIES attribute, an optional, transitive, global attribute in the numerical range from 1 to 4294967200. These are some predefined, well-known communities:

- **internet**—Advertise this route to the Internet community. All routers belong to it.
- **no-export**—Do not advertise this route to EBGp peers.
- **no-advertise**—Do not advertise this route to any peer (internal or external).
- **local-as**—Do not advertise this route to peers outside the local autonomous system.

Based on the community, you can control which routing information to accept, prefer, or distribute to other neighbors. A BGP speaker can set, append, or modify the community of a route when learning, advertising,

or redistributing routes. When routes are aggregated, the resulting aggregate has a COMMUNITIES attribute that contains all communities from all the initial routes.

You can use community lists to create groups of communities to use in a match clause of a route map. As with an access list, a series of community lists can be created. Statements are checked until a match is found. As soon as one statement is satisfied, the test is concluded.

## BGP Neighbors and Peer Groups

Often many BGP neighbors are configured with the same update policies (that is, the same outbound route maps, distribute lists, filter lists, update source, and so on). Neighbors with the same update policies can be grouped into peer groups to simplify configuration and to make updating more efficient. When you have configured many peers, we recommend this approach.

To configure a BGP peer group, you create the peer group, assign options to the peer group, and add neighbors as peer group members. You configure the peer group by using the **neighbor** router configuration commands. By default, peer group members inherit all the configuration options of the peer group, including the remote-as (if configured), version, update-source, out-route-map, out-filter-list, out-dist-list, minimum-advertisement-interval, and next-hop-self. All peer group members also inherit changes made to the peer group. Members can also be configured to override the options that do not affect outbound updates.

## Aggregate Routes

Classless interdomain routing (CIDR) enables you to create aggregate routes (or supernets) to minimize the size of routing tables. You can configure aggregate routes in BGP either by redistributing an aggregate route into BGP or by creating an aggregate entry in the BGP routing table. An aggregate address is added to the BGP table when there is at least one more specific entry in the BGP table.

## Routing Domain Confederations

One way to reduce the IBGP mesh is to divide an autonomous system into multiple subautonomous systems and to group them into a single confederation that appears as a single autonomous system. Each autonomous system is fully meshed within itself and has a few connections to other autonomous systems in the same confederation. Even though the peers in different autonomous systems have EBGP sessions, they exchange routing information as if they were IBGP peers. Specifically, the next hop, MED, and local preference information is preserved. You can then use a single IGP for all of the autonomous systems.

## BGP Route Reflectors

BGP requires that all of the IBGP speakers be fully meshed. When a router receives a route from an external neighbor, it must advertise it to all internal neighbors. To prevent a routing information loop, all IBGP speakers must be connected. The internal neighbors do not send routes learned from internal neighbors to other internal neighbors.

With route reflectors, all IBGP speakers need not be fully meshed because another method is used to pass learned routes to neighbors. When you configure an internal BGP peer to be a route reflector, it is responsible for passing IBGP learned routes to a set of IBGP neighbors. The internal peers of the route reflector are divided into two groups: client peers and nonclient peers (all the other routers in the autonomous system). A route reflector reflects routes between these two groups. The route reflector and its client peers form a cluster. The

nonclient peers must be fully meshed with each other, but the client peers need not be fully meshed. The clients in the cluster do not communicate with IBGP speakers outside their cluster.

When the route reflector receives an advertised route, it takes one of these actions, depending on the neighbor:

- A route from an external BGP speaker is advertised to all clients and nonclient peers.
- A route from a nonclient peer is advertised to all clients.
- A route from a client is advertised to all clients and nonclient peers. Hence, the clients need not be fully meshed.

Usually a cluster of clients have a single route reflector, and the cluster is identified by the route reflector router ID. To increase redundancy and to avoid a single point of failure, a cluster might have more than one route reflector. In this case, all route reflectors in the cluster must be configured with the same 4-byte cluster ID so that a route reflector can recognize updates from route reflectors in the same cluster. All the route reflectors serving a cluster should be fully meshed and should have identical sets of client and nonclient peers.

## Route Dampening

Route flap dampening is a BGP feature designed to minimize the propagation of flapping routes across an internetwork. A route is considered to be flapping when it is repeatedly available, then unavailable, then available, then unavailable, and so on. When route dampening is enabled, a numeric penalty value is assigned to a route when it flaps. When a route's accumulated penalties reach a configurable limit, BGP suppresses advertisements of the route, even if the route is running. The reuse limit is a configurable value that is compared with the penalty. If the penalty is less than the reuse limit, a suppressed route that is up is advertised again.

Dampening is not applied to routes that are learned by IBGP. This policy prevents the IBGP peers from having a higher penalty for routes external to the AS.

## Conditional BGP Route Injection

Routes that are advertised through the BGP are commonly aggregated to minimize the number of routes that are used and reduce the size of global routing tables. However, common route aggregation can obscure more specific routing information that is more accurate but not necessary to forward packets to their destinations. Routing accuracy is obscured by common route aggregation because a prefix that represents multiple addresses or hosts over a large topological area cannot be accurately reflected in a single route. Cisco software provides several methods by which you can originate a prefix into BGP. Prior to the BGP conditional route injection feature, the existing methods included redistribution and using the **network** or **aggregate-address** command. However, these methods assume the existence of more specific routing information (matching the route to be originated) in either the routing table or the BGP table.

BGP conditional route injection allows you to originate a prefix into a BGP routing table without the corresponding match. This feature allows more specific routes to be generated based on administrative policy or traffic engineering information in order to provide more specific control over the forwarding of packets to these more specific routes, which are injected into the BGP routing table only if the configured conditions are met. Enabling this feature will allow you to improve the accuracy of common route aggregation by conditionally injecting or replacing less specific prefixes with more specific prefixes. Only prefixes that are equal to or more specific than the original prefix may be injected. BGP conditional route injection is enabled with the **bgp inject-map exist-map** command and uses two route maps (inject map and exist map) to install one (or more) more specific prefixes into a BGP routing table. The exist map specifies the prefixes that the BGP speaker will track. The inject map defines the prefixes that will be created and installed into the local BGP table.





---

**Note** Inject maps and exist maps will only match a single prefix per route map clause. To inject additional prefixes, you must configure additional route map clauses. If multiple prefixes are used, the first prefix matched will be used.

---

## BGP Peer Templates

To address some of the limitations of peer groups such as configuration management, BGP peer templates were introduced to support the BGP update group configuration.

A peer template is a configuration pattern that can be applied to neighbors that share policies. Peer templates are reusable and support inheritance, which allows the network operator to group and apply distinct neighbor configurations for BGP neighbors that share policies. Peer templates also allow the network operator to define very complex configuration patterns through the capability of a peer template to inherit a configuration from another peer template.

There are two types of peer templates:

- Peer session templates are used to group and apply the configuration of general session commands that are common to all address family and NLRI configuration modes.
- Peer policy templates are used to group and apply the configuration of commands that are applied within specific address families and NLRI configuration modes.

Peer templates improve the flexibility and enhance the capability of neighbor configuration. Peer templates also provide an alternative to peer group configuration and overcome some limitations of peer groups. BGP peer devices using peer templates also benefit from automatic update group configuration. With the configuration of the BGP peer templates and the support of the BGP dynamic update peer groups, the network operator no longer needs to configure peer groups in BGP and the network can benefit from improved configuration flexibility and faster convergence.



---

**Note** A BGP neighbor cannot be configured to work with both peer groups and peer templates. A BGP neighbor can be configured to belong only to a peer group or to inherit policies from peer templates.

---

The following restrictions apply to the peer policy templates:

- A peer policy template can directly or indirectly inherit up to eight peer policy templates.
- A BGP neighbor cannot be configured to work with both peer groups and peer templates. A BGP neighbor can be configured to belong only to a peer group or to inherit policies only from peer templates.

## Inheritance in Peer Templates

The inheritance capability is a key component of peer template operation. Inheritance in a peer template is similar to node and tree structures commonly found in general computing, for example, file and directory trees. A peer template can directly or indirectly inherit the configuration from another peer template. The directly inherited peer template represents the tree in the structure. The indirectly inherited peer template represents a node in the tree. Because each node also supports inheritance, branches can be created that apply

the configurations of all indirectly inherited peer templates within a chain back to the directly inherited peer template or the source of the tree.

This structure eliminates the need to repeat configuration statements that are commonly reapplied to groups of neighbors because common configuration statements can be applied once and then indirectly inherited by peer templates that are applied to neighbor groups with common configurations. Configuration statements that are duplicated separately within a node and a tree are filtered out at the source of the tree by the directly inherited template. A directly inherited template will overwrite any indirectly inherited statements that are duplicated in the directly inherited template.

Inheritance expands the scalability and flexibility of neighbor configuration by allowing you to chain together peer templates configurations to create simple configurations that inherit common configuration statements or complex configurations that apply very specific configuration statements along with common inherited configurations. Specific details about configuring inheritance in peer session templates and peer policy templates are provided in the following sections.

When BGP neighbors use inherited peer templates it can be difficult to determine which policies are associated with a specific template. The **detail** keyword of the **show ip bgp template peer-policy** command displays the detailed configuration of local and inherited policies associated with a specific template.

## Peer Session Templates

Peer session templates are used to group and apply the configuration of general session commands to groups of neighbors that share session configuration elements. General session commands that are common for neighbors that are configured in different address families can be configured within the same peer session template. Peer session templates are created and configured in peer session configuration mode. Only general session commands can be configured in a peer session template. The following general session commands are supported by peer session templates:

- **description**
- **disable-connected-check**
- **ebgp-multihop**
- **exit peer-session**
- **inherit peer-session**
- **local-as**
- **password**
- **remote-as**
- **shutdown**
- **timers**
- **translate-update**
- **update-source**
- **version**

General session commands can be configured once in a peer session template and then applied to many neighbors through the direct application of a peer session template or through indirect inheritance from a peer

session template. The configuration of peer session templates simplifies the configuration of general session commands that are commonly applied to all neighbors within an autonomous system.

Peer session templates support direct and indirect inheritance. A peer can be configured with only one peer session template at a time, and that peer session template can contain only one indirectly inherited peer session template.



---

**Note** If you attempt to configure more than one inherit statement with a single peer session template, an error message will be displayed.

---

This behavior allows a BGP neighbor to directly inherit only one session template and indirectly inherit up to seven additional peer session templates. This allows you to apply up to a maximum of eight peer session configurations to a neighbor: the configuration from the directly inherited peer session template and the configurations from up to seven indirectly inherited peer session templates. Inherited peer session configurations are evaluated first and applied starting with the last node in the branch and ending with the directly applied peer session template configuration at the source of the tree. The directly applied peer session template will have priority over inherited peer session template configurations. Any configuration statements that are duplicated in inherited peer session templates will be overwritten by the directly applied peer session template. So, if a general session command is reapplied with a different value, the subsequent value will have priority and overwrite the previous value that was configured in the indirectly inherited template. The following examples illustrate the use of this feature.

In the following example, the general session command **remote-as 1** is applied in the peer session template named SESSION-TEMPLATE-ONE:

```
template peer-session SESSION-TEMPLATE-ONE
  remote-as 1
  exit peer-session
```

Peer session templates support only general session commands. BGP policy configuration commands that are configured only for a specific address family or NLRI configuration mode are configured with peer policy templates.

## Peer Policy Templates

Peer policy templates are used to group and apply the configuration of commands that are applied within specific address families and NLRI configuration mode. Peer policy templates are created and configured in peer policy configuration mode. BGP policy commands that are configured for specific address families are configured in a peer policy template. The following BGP policy commands are supported by peer policy templates:

- **advertisement-interval**
- **allowas-in**
- **as-override**
- **capability**
- **default-originate**
- **distribute-list**

- **dmzlink-bw**
- **exit-peer-policy**
- **filter-list**
- **inherit peer-policy**
- **maximum-prefix**
- **next-hop-self**
- **next-hop-unchanged**
- **prefix-list**
- **remove-private-as**
- **route-map**
- **route-reflector-client**
- **send-community**
- **send-label**
- **soft-reconfiguration**
- **unsuppress-map**
- **weight**

Peer policy templates are used to configure BGP policy commands that are configured for neighbors that belong to specific address families. Like peer session templates, peer policy templates are configured once and then applied to many neighbors through the direct application of a peer policy template or through inheritance from peer policy templates. The configuration of peer policy templates simplifies the configuration of BGP policy commands that are applied to all neighbors within an autonomous system.

Like a peer session template, a peer policy template supports inheritance. However, there are minor differences. A directly applied peer policy template can directly or indirectly inherit configurations from up to seven peer policy templates. So, a total of eight peer policy templates can be applied to a neighbor or neighbor group. Like route maps, inherited peer policy templates are configured with sequence numbers. Also like a route map, an inherited peer policy template is evaluated starting with the **inherit peer-policy** statement with the lowest sequence number and ending with the highest sequence number. However, there is a difference; a peer policy template will not collapse like a route map. Every sequence is evaluated, and if a BGP policy command is reapplied with a different value, it will overwrite any previous value from a lower sequence number.

The directly applied peer policy template and the **inherit peer-policy** statement with the highest sequence number will always have priority and be applied last. Commands that are reapplied in subsequent peer templates will always overwrite the previous values. This behavior is designed to allow you to apply common policy configurations to large neighbor groups and specific policy configurations only to certain neighbors and neighbor groups without duplicating individual policy configuration commands.

Peer policy templates support only policy configuration commands. BGP policy configuration commands that are configured only for specific address families are configured with peer policy templates.

The configuration of peer policy templates simplifies and improves the flexibility of BGP configuration. A specific policy can be configured once and referenced many times. Because a peer policy supports up to eight levels of inheritance, very specific and very complex BGP policies can also be created.

## BGP Route Map Next Hop Self

The BGP Route Map Next Hop Self feature provides a way to override the settings for `bgp next-hop unchanged` and `bgp next-hop unchanged allpath` selectively. These settings are global for an address family. For some routes this may not be appropriate. For example, static routes may need to be redistributed with a next hop of self, but connected routes and routes learned via Interior Border Gateway Protocol (IBGP) or Exterior Border Gateway Protocol (EBGP) may continue to be redistributed with an unchanged next hop.

The BGP route map next hop self functionality modifies the existing route map infrastructure to configure a new `ip next-hop self` setting, which overrides the `bgp next-hop unchanged` and `bgp next-hop unchanged allpaths` settings.

The `ip next-hop self` setting is applicable only to VPNv4 and VPNv6 address families. Routes distributed by protocols other than BGP are not affected.

You configure a new `bgp route-map priority` setting to inform BGP that the route map will take priority over the settings for `bgp next-hop unchanged` and `bgp next-hop unchanged allpath`. The `bgp route-map priority` setting only impacts BGP. The `bgp route-map priority` setting has no impact unless you configure the `bgp next-hop unchanged` or `bgp next-hop unchanged allpaths` settings.

## How to Configure BGP

The following sections provide configurational information about BGP.

### Default BGP Configuration

The table given below shows the basic default BGP configuration.

**Table 30: Default BGP Configuration**

Feature	Default Setting
Aggregate address	Disabled: None defined.
AS path access list	None defined.
Auto summary	Disabled.
Best path	<ul style="list-style-type: none"> <li>The router considers <i>as-path</i> in choosing a route and does not compare s from external BGP peers.</li> <li>Compare router ID: Disabled.</li> </ul>
BGP community list	<ul style="list-style-type: none"> <li>Number: None defined. When you permit a value for the community number defaults to an implicit deny for everything else that has not been permitted.</li> <li>Format: Cisco default format (32-bit number).</li> </ul>
BGP confederation identifier/peers	<ul style="list-style-type: none"> <li>Identifier: None configured.</li> <li>Peers: None identified.</li> </ul>

Feature	Default Setting
BGP Fast external fallover	Enabled.
BGP local preference	100. The range is 0 to 4294967295 with the higher value preferred.
BGP network	None specified; no backdoor route advertised.
BGP route dampening	Disabled by default. When enabled: <ul style="list-style-type: none"> <li>• Half-life is 15 minutes.</li> <li>• Re-use is 750 (10-second increments).</li> <li>• Suppress is 2000 (10-second increments).</li> <li>• Max-suppress-time is 4 times half-life; 60 minutes.</li> </ul>
BGP router ID	The IP address of a loopback interface if one is configured or the highest IP address for a physical interface on the router.
Default information originate (protocol or network redistribution)	Disabled.
Default metric	Built-in, automatic metric translations.
Distance	<ul style="list-style-type: none"> <li>• External route administrative distance: 20 (acceptable values are from 1 to 255)</li> <li>• Internal route administrative distance: 200 (acceptable values are from 1 to 255)</li> <li>• Local route administrative distance: 200 (acceptable values are from 1 to 255)</li> </ul>
Distribute list	<ul style="list-style-type: none"> <li>• In (filter networks received in updates): Disabled.</li> <li>• Out (suppress networks from being advertised in updates): Disabled.</li> </ul>
Internal route redistribution	Disabled.
IP prefix list	None defined.
Multi exit discriminator (MED)	<ul style="list-style-type: none"> <li>• Always compare: Disabled. Does not compare MEDs for paths from neighboring different autonomous systems.</li> <li>• Best path compare: Disabled.</li> <li>• MED missing as worst path: Disabled.</li> <li>• Deterministic MED comparison is disabled.</li> </ul>

Feature	Default Setting
Neighbor	<ul style="list-style-type: none"> <li>• Advertisement interval: 30 seconds for external peers; 5 seconds for internal peers.</li> <li>• Change logging: Enabled.</li> <li>• Conditional advertisement: Disabled.</li> <li>• Default originate: No default route is sent to the neighbor.</li> <li>• Description: None.</li> <li>• Distribute list: None defined.</li> <li>• External BGP multihop: Only directly connected neighbors are allowed.</li> <li>• Filter list: None used.</li> <li>• Maximum number of prefixes received: No limit.</li> <li>• Next hop (router as next hop for BGP neighbor): Disabled.</li> <li>• Password: Disabled.</li> <li>• Peer group: None defined; no members assigned.</li> <li>• Prefix list: None specified.</li> <li>• Remote AS (add entry to neighbor BGP table): No peers defined.</li> <li>• Private AS number removal: Disabled.</li> <li>• Route maps: None applied to a peer.</li> <li>• Send community attributes: None sent to neighbors.</li> <li>• Shutdown or soft reconfiguration: Not enabled.</li> <li>• Timers: keepalive: 60 seconds; holdtime: 180 seconds.</li> <li>• Update source: Best local address.</li> <li>• Version: BGP Version 4.</li> <li>• Weight: Routes learned through BGP peer: 0; routes sourced by the local router: 32768.</li> </ul>
NSF <sup>1</sup> Awareness	Disabled <sup>2</sup> . If enabled, allows Layer 3 switches to continue forwarding packets to neighboring NSF-capable router during hardware or software changes.
Route reflector	None configured.
Synchronization (BGP and IGP)	Disabled.
Table map update	Disabled.
Timers	Keepalive: 60 seconds; holdtime: 180 seconds.

<sup>1</sup> Nonstop Forwarding

<sup>2</sup> NSF Awareness can be enabled for IPv4 on switches with the Network Advantage license by enabling Graceful Restart.

# Enabling BGP Routing

## Before you begin



**Note** To enable BGP, the standalone switch or active switch must be running the Network Advantage license.

## Procedure

	Command or Action	Purpose
<b>Step 1</b>	<b>enable</b> <b>Example:</b> Device> <b>enable</b>	Enables privileged EXEC mode. Enter your password if prompted.
<b>Step 2</b>	<b>configure terminal</b> <b>Example:</b> Device# <b>configure terminal</b>	Enters global configuration mode.
<b>Step 3</b>	<b>ip routing</b> <b>Example:</b> Device (config)# <b>ip routing</b>	Enables IP routing.
<b>Step 4</b>	<b>router bgp <i>autonomous-system</i></b> <b>Example:</b> Device (config)# <b>router bgp 45000</b>	Enables a BGP routing process, assign it an AS number, and enter router configuration mode. The AS number can be from 1 to 65535, with 64512 to 65535 designated as private autonomous numbers.
<b>Step 5</b>	<b>network <i>network-number</i> [<i>mask network-mask</i>] [<i>route-map route-map-name</i>]</b> <b>Example:</b> Device (config-router)# <b>network 10.108.0.0</b>	Configures a network as local to this AS, and enter it in the BGP table.
<b>Step 6</b>	<b>neighbor {<i>ip-address</i>   <i>peer-group-name</i>} <i>remote-as number</i></b> <b>Example:</b> Device (config-router)# <b>neighbor 10.108.1.2 remote-as 65200</b>	Adds an entry to the BGP neighbor table specifying that the neighbor identified by the IP address belongs to the specified AS.  For EBGP, neighbors are usually directly connected, and the IP address is the address of the interface at the other end of the connection.  For IBGP, the IP address can be the address of any of the router interfaces.



	Command or Action	Purpose
Step 7	<b>neighbor</b> {ip-address   peer-group-name} <b>remove-private-as</b> <b>Example:</b> <pre>Device(config-router)# neighbor 172.16.2.33 remove-private-as</pre>	(Optional) Removes private AS numbers from the AS-path in outbound routing updates.
Step 8	<b>synchronization</b> <b>Example:</b> <pre>Device(config-router)# synchronization</pre>	(Optional) Enables synchronization between BGP and an IGP.
Step 9	<b>auto-summary</b> <b>Example:</b> <pre>Device(config-router)# auto-summary</pre>	(Optional) Enables automatic network summarization. When a subnet is redistributed from an IGP into BGP, only the network route is inserted into the BGP table.
Step 10	<b>bgp graceful-restart</b> <b>Example:</b> <pre>Device(config-router)# bgp graceful-start</pre>	(Optional) Enables NSF awareness on switch. By default, NSF awareness is disabled.
Step 11	<b>end</b> <b>Example:</b> <pre>Device(config-router)# end</pre>	Returns to privileged EXEC mode.
Step 12	<b>show ip bgp network network-number</b> <b>Example:</b> <pre>Device# show ip bgp network 10.108.0.0</pre>	Verifies the configuration.
Step 13	<b>show ip bgp neighbor</b> <b>Example:</b> <pre>Device# show ip bgp neighbor</pre>	<p>Verifies that NSF awareness (Graceful Restart) is enabled on the neighbor. If NSF awareness is enabled on the switch and the neighbor, this message appears: <i>Graceful Restart Capability: advertised and received</i></p> <p>If NSF awareness is enabled on the switch, but not on the neighbor, this message appears: <i>Graceful Restart Capability: advertised</i></p>
Step 14	<b>copy running-config startup-config</b> <b>Example:</b> <pre>Device# copy running-config</pre>	(Optional) Saves your entries in the configuration file.

	Command or Action	Purpose
	<code>startup-config</code>	

## Managing Routing Policy Changes

To learn if a BGP peer supports the route refresh capability and to reset the BGP session:

### Procedure

	Command or Action	Purpose
<b>Step 1</b>	<b>show ip bgp neighbors</b> <b>Example:</b> Device# <code>show ip bgp neighbors</code>	Displays whether a neighbor supports the route refresh capability. When supported, this message appears for the router:  <i>Received route refresh capability from peer.</i>
<b>Step 2</b>	<b>clear ip bgp</b> {*   <i>address</i>   <i>peer-group-name</i> } <b>Example:</b> Device# <code>clear ip bgp *</code>	Resets the routing table on the specified connection. <ul style="list-style-type: none"> <li>• Enter an asterisk (*) to specify that all connections be reset.</li> <li>• Enter an IP address to specify the connection to be reset.</li> <li>• Enter a peer group name to reset the peer group.</li> </ul>
<b>Step 3</b>	<b>clear ip bgp</b> {*   <i>address</i>   <i>peer-group-name</i> } <b>soft out</b> <b>Example:</b> Device# <code>clear ip bgp * soft out</code>	(Optional) Performs an outbound soft reset to reset the inbound routing table on the specified connection. Use this command if route refresh is supported. <ul style="list-style-type: none"> <li>• Enter an asterisk (*) to specify that all connections be reset.</li> <li>• Enter an IP address to specify the connection to be reset.</li> <li>• Enter a peer group name to reset the peer group.</li> </ul>
<b>Step 4</b>	<b>show ip bgp</b> <b>Example:</b> Device# <code>show ip bgp</code>	Verifies the reset by checking information about the routing table and about BGP neighbors.
<b>Step 5</b>	<b>show ip bgp neighbors</b> <b>Example:</b>	Verifies the reset by checking information about the routing table and about BGP neighbors.

	Command or Action	Purpose
	Device# <code>show ip bgp neighbors</code>	

## Configuring BGP Decision Attributes

### Procedure

	Command or Action	Purpose
<b>Step 1</b>	<b>enable</b> <b>Example:</b> Device> <code>enable</code>	Enables privileged EXEC mode. <ul style="list-style-type: none"> <li>• Enter your password if prompted.</li> </ul>
<b>Step 2</b>	<b>configure terminal</b> <b>Example:</b> Device# <code>configure terminal</code>	Enters global configuration mode.
<b>Step 3</b>	<b>router bgp <i>autonomous-system</i></b> <b>Example:</b> Device(config)# <code>router bgp 4500</code>	Enables a BGP routing process, assign it an AS number, and enter router configuration mode.
<b>Step 4</b>	<b>bgp best-path as-path ignore</b> <b>Example:</b> Device(config-router)# <code>bgp bestpath as-path ignore</code>	(Optional) Configures the router to ignore AS path length in selecting a route.
<b>Step 5</b>	<b>neighbor {<i>ip-address</i>   <i>peer-group-name</i>} next-hop-self</b> <b>Example:</b> Device(config-router)# <code>neighbor 10.108.1.1 next-hop-self</code>	(Optional) Disables next-hop processing on BGP updates to a neighbor by entering a specific IP address to be used instead of the next-hop address.
<b>Step 6</b>	<b>neighbor {<i>ip-address</i>   <i>peer-group-name</i>} weight <i>weight</i></b> <b>Example:</b> Device(config-router)# <code>neighbor 172.16.12.1 weight 50</code>	(Optional) Assign a weight to a neighbor connection. Acceptable values are from 0 to 65535; the largest weight is the preferred route. Routes learned through another BGP peer have a default weight of 0; routes sourced by the local router have a default weight of 32768.
<b>Step 7</b>	<b>default-metric <i>number</i></b> <b>Example:</b>	(Optional) Sets a MED metric to set preferred paths to external neighbors. All routes without a MED will also be set to this value. The range

	Command or Action	Purpose
	Device (config-router) # <b>default-metric 300</b>	is 1 to 4294967295. The lowest value is the most desirable.
<b>Step 8</b>	<b>bgp bestpath med missing-as-worst</b> <b>Example:</b>  Device (config-router) # <b>bgp bestpath med missing-as-worst</b>	(Optional) Configures the switch to consider a missing MED as having a value of infinity, making the path without a MED value the least desirable path.
<b>Step 9</b>	<b>bgp always-compare med</b> <b>Example:</b>  Device (config-router) # <b>bgp always-compare-med</b>	(Optional) Configures the switch to compare MEDs for paths from neighbors in different autonomous systems. By default, MED comparison is only done among paths in the same AS.
<b>Step 10</b>	<b>bgp bestpath med confed</b> <b>Example:</b>  Device (config-router) # <b>bgp bestpath med confed</b>	(Optional) Configures the switch to consider the MED in choosing a path from among those advertised by different subautonomous systems within a confederation.
<b>Step 11</b>	<b>bgp deterministic med</b> <b>Example:</b>  Device (config-router) # <b>bgp deterministic med</b>	(Optional) Configures the switch to consider the MED variable when choosing among routes advertised by different peers in the same AS.
<b>Step 12</b>	<b>bgp default local-preference value</b> <b>Example:</b>  Device (config-router) # <b>bgp default local-preference 200</b>	(Optional) Change the default local preference value. The range is 0 to 4294967295; the default value is 100. The highest local preference value is preferred.
<b>Step 13</b>	<b>maximum-paths number</b> <b>Example:</b>  Device (config-router) # <b>maximum-paths 8</b>	(Optional) Configures the number of paths to be added to the IP routing table. The default is to only enter the best path in the routing table. The range is from 1 to 16. Having multiple paths allows load-balancing among the paths. (Although the switch software allows a maximum of 32 equal-cost routes, the switch hardware will never use more than 16 paths per route.)
<b>Step 14</b>	<b>end</b> <b>Example:</b>  Device (config) # <b>end</b>	Returns to privileged EXEC mode.

	Command or Action	Purpose
<b>Step 15</b>	<b>show ip bgp</b> <b>Example:</b> Device# <code>show ip bgp</code>	Verifies the reset by checking information about the routing table and about BGP neighbors.
<b>Step 16</b>	<b>show ip bgp neighbors</b> <b>Example:</b> Device# <code>show ip bgp neighbors</code>	Verifies the reset by checking information about the routing table and about BGP neighbors.
<b>Step 17</b>	<b>copy running-config startup-config</b> <b>Example:</b> Device# <code>copy running-config startup-config</code>	(Optional) Saves your entries in the configuration file.

## Configuring BGP Filtering with Route Maps

### Procedure

	Command or Action	Purpose
<b>Step 1</b>	<b>enable</b> <b>Example:</b> Device> <code>enable</code>	Enables privileged EXEC mode. Enter your password if prompted.
<b>Step 2</b>	<b>configure terminal</b> <b>Example:</b> Device# <code>configure terminal</code>	Enters global configuration mode.
<b>Step 3</b>	<b>route-map map-tag [permit   deny]</b> <b>[sequence-number]</b> <b>Example:</b> Device(config)# <code>route-map set-peer-address permit 10</code>	Creates a route map, and enter route-map configuration mode.
<b>Step 4</b>	<b>set ip next-hop ip-address [...ip-address]</b> <b>[peer-address]</b> <b>Example:</b>	(Optional) Sets a route map to disable next-hop processing <ul style="list-style-type: none"> <li>• In an inbound route map, set the next hop of matching routes to be the neighbor</li> </ul>

	Command or Action	Purpose
	Device(config)# <b>set ip next-hop 10.1.1.3</b>	<p>peering address, overriding third-party next hops.</p> <ul style="list-style-type: none"> <li>In an outbound route map of a BGP peer, set the next hop to the peering address of the local router, disabling the next-hop calculation.</li> </ul>
<b>Step 5</b>	<p><b>end</b></p> <p><b>Example:</b></p> <pre>Device(config)# end</pre>	Returns to privileged EXEC mode.
<b>Step 6</b>	<p><b>show route-map [map-name]</b></p> <p><b>Example:</b></p> <pre>Device# show route-map</pre>	Displays all route maps configured or only the one specified to verify configuration.
<b>Step 7</b>	<p><b>copy running-config startup-config</b></p> <p><b>Example:</b></p> <pre>Device# copy running-config startup-config</pre>	(Optional) Saves your entries in the configuration file.

## Configuring BGP Filtering by Neighbor

### Procedure

	Command or Action	Purpose
<b>Step 1</b>	<p><b>enable</b></p> <p><b>Example:</b></p> <pre>Device&gt; enable</pre>	<p>Enables privileged EXEC mode.</p> <p>Enter your password if prompted.</p>
<b>Step 2</b>	<p><b>configure terminal</b></p> <p><b>Example:</b></p> <pre>Device# configure terminal</pre>	Enters global configuration mode.
<b>Step 3</b>	<p><b>router bgp <i>autonomous-system</i></b></p> <p><b>Example:</b></p> <pre>Device(config)# router bgp 109</pre>	Enables a BGP routing process, assign it an AS number, and enter router configuration mode.

	Command or Action	Purpose
<b>Step 4</b>	<b>neighbor</b> { <i>ip-address</i>   <i>peer-group name</i> } <b>distribute-list</b> { <b>access-list-number</b>   <i>name</i> } { <b>in</b>   <b>out</b> } <b>Example:</b> <pre>Device(config-router)# neighbor 172.16.4.1 distribute-list 39 in</pre>	(Optional) Filters BGP routing updates to or from neighbors as specified in an access list. <b>Note</b> You can also use the <b>neighbor prefix-list</b> router configuration command to filter updates, but you cannot use both commands to configure the same BGP peer.
<b>Step 5</b>	<b>neighbor</b> { <i>ip-address</i>   <i>peer-group name</i> } <b>route-map</b> <i>map-tag</i> { <b>in</b>   <b>out</b> } <b>Example:</b> <pre>Device(config-router)# neighbor 172.16.70.24 route-map internal-map in</pre>	(Optional) Applies a route map to filter an incoming or outgoing route.
<b>Step 6</b>	<b>end</b> <b>Example:</b> <pre>Device(config)# end</pre>	Returns to privileged EXEC mode.
<b>Step 7</b>	<b>show ip bgp neighbors</b> <b>Example:</b> <pre>Device# show ip bgp neighbors</pre>	Verifies the configuration.
<b>Step 8</b>	<b>copy running-config startup-config</b> <b>Example:</b> <pre>Device# copy running-config startup-config</pre>	(Optional) Saves your entries in the configuration file.

## Configuring BGP Filtering by Access Lists and Neighbors

Another method of filtering is to specify an access list filter on both incoming and outbound updates, based on the BGP autonomous system paths. Each filter is an access list based on regular expressions. To use this method, define an autonomous system path access list, and apply it to updates to and from particular neighbors.

### Procedure

	Command or Action	Purpose
<b>Step 1</b>	<b>enable</b> <b>Example:</b> <pre>Device&gt; enable</pre>	Enables privileged EXEC mode. Enter your password if prompted.

	Command or Action	Purpose
<b>Step 2</b>	<b>configure terminal</b> <b>Example:</b> Device# <b>configure terminal</b>	Enters global configuration mode.
<b>Step 3</b>	<b>ip as-path access-list</b> <i>access-list-number</i> <b>{permit   deny}</b> <i>as-regular-expressions</i> <b>Example:</b> Device(config)# <b>ip as-path access-list</b> <b>1 deny _65535_</b>	Defines a BGP-related access list.
<b>Step 4</b>	<b>router bgp</b> <i>autonomous-system</i> <b>Example:</b> Device(config)# <b>router bgp 110</b>	Enters BGP router configuration mode.
<b>Step 5</b>	<b>neighbor</b> <i>{ip-address   peer-group name}</i> <b>filter-list</b> <i>{access-list-number   name}</i> <b>{in   out</b> <b>  weight</b> <i>weight</i> <b>Example:</b> Device(config-router)# <b>neighbor</b> <b>172.16.1.1 filter-list 1 out</b>	Establishes a BGP filter based on an access list.
<b>Step 6</b>	<b>end</b> <b>Example:</b> Device(config)# <b>end</b>	Returns to privileged EXEC mode.
<b>Step 7</b>	<b>show ip bgp neighbors</b> [ <b>paths</b> <i>regular-expression</i> ] <b>Example:</b> Device# <b>show ip bgp neighbors</b>	Verifies the configuration.
<b>Step 8</b>	<b>copy running-config startup-config</b> <b>Example:</b> Device# <b>copy running-config</b> <b>startup-config</b>	(Optional) Saves your entries in the configuration file.



## Configuring Prefix Lists for BGP Filtering

You do not need to specify a sequence number when removing a configuration entry. **Show** commands include the sequence numbers in their output.

Before using a prefix list in a command, you must set up the prefix list.

### Procedure

	Command or Action	Purpose
<b>Step 1</b>	<b>enable</b> <b>Example:</b> Device> <b>enable</b>	Enables privileged EXEC mode. Enter your password if prompted.
<b>Step 2</b>	<b>configure terminal</b> <b>Example:</b> Device# <b>configure terminal</b>	Enters global configuration mode.
<b>Step 3</b>	<b>ip prefix-list list-name [seq seq-value] deny   permit network/len [ge ge-value] [le le-value]</b> <b>Example:</b> Device(config)# <b>ip prefix-list BLUE permit 172.16.1.0/24</b>	Creates a prefix list with an optional sequence number to <b>deny</b> or <b>permit</b> access for matching conditions. You must enter at least one <b>permit</b> or <b>deny</b> clause. <ul style="list-style-type: none"> <li>• <i>network/len</i> is the network number and length (in bits) of the network mask.</li> <li>• (Optional) <b>ge</b> and <b>le</b> values specify the range of the prefix length to be matched. The specified <i>ge-value</i> and <i>le-value</i> must satisfy this condition: <math>len &lt; ge\text{-}value &lt; le\text{-}value &lt; 32</math></li> </ul>
<b>Step 4</b>	<b>ip prefix-list list-name seq seq-value deny   permit network/len [ge ge-value] [le le-value]</b> <b>Example:</b> Device(config)# <b>ip prefix-list BLUE seq 10 permit 172.24.1.0/24</b>	(Optional) Adds an entry to a prefix list, and assign a sequence number to the entry.
<b>Step 5</b>	<b>end</b> <b>Example:</b> Device(config)# <b>end</b>	Returns to privileged EXEC mode.

	Command or Action	Purpose
<b>Step 6</b>	<b>show ip prefix list</b> [ <b>detail</b>   <b>summary</b> ] <i>name</i> [ <i>network/len</i> ] [ <b>seq seq-num</b> ] [ <b>longer</b> ] [ <b>first-match</b> ]  <b>Example:</b>  Device# <b>show ip prefix list summary test</b>	Verifies the configuration by displaying information about a prefix list or prefix list entries.
<b>Step 7</b>	<b>copy running-config startup-config</b>  <b>Example:</b>  Device# <b>copy running-config startup-config</b>	(Optional) Saves your entries in the configuration file.

## Configuring BGP Community Filtering

By default, no COMMUNITIES attribute is sent to a neighbor. You can specify that the COMMUNITIES attribute be sent to the neighbor at an IP address by using the **neighbor send-community** router configuration command.

### Procedure

	Command or Action	Purpose
<b>Step 1</b>	<b>enable</b>  <b>Example:</b>  Device> <b>enable</b>	Enables privileged EXEC mode.  Enter your password if prompted.
<b>Step 2</b>	<b>configure terminal</b>  <b>Example:</b>  Device# <b>configure terminal</b>	Enters global configuration mode.
<b>Step 3</b>	<b>ip community-list</b> <i>community-list-number</i> { <b>permit</b>   <b>deny</b> } <i>community-number</i>  <b>Example:</b>  Device (config)# <b>ip community-list 1 permit 50000:10</b>	Creates a community list, and assigns it a number. <ul style="list-style-type: none"> <li>• The <i>community-list-number</i> is an integer from 1 to 99 that identifies one or more permit or deny groups of communities.</li> <li>• The <i>community-number</i> is the number configured by a <b>set community</b> route-map configuration command.</li> </ul>
<b>Step 4</b>	<b>router bgp</b> <i>autonomous-system</i>  <b>Example:</b>	Enters BGP router configuration mode.

	Command or Action	Purpose
	Device (config) # <b>router bgp 108</b>	
<b>Step 5</b>	<b>neighbor {ip-address   peer-group name} send-community</b> <b>Example:</b> Device (config-router) # <b>neighbor 172.16.70.23 send-community</b>	Specifies that the COMMUNITIES attribute be sent to the neighbor at this IP address.
<b>Step 6</b>	<b>set comm-list list-num delete</b> <b>Example:</b> Device (config-router) # <b>set comm-list 500 delete</b>	(Optional) Removes communities from the community attribute of an inbound or outbound update that match a standard or extended community list specified by a route map.
<b>Step 7</b>	<b>exit</b> <b>Example:</b> Device (config-router) # <b>end</b>	Returns to global configuration mode.
<b>Step 8</b>	<b>ip bgp-community new-format</b> <b>Example:</b> Device (config) # <b>ip bgp-community new format</b>	(Optional) Displays and parses BGP communities in the format AA:NN.  A BGP community is displayed in a two-part format 2 bytes long. The Cisco default community format is in the format NNAA. In the most recent RFC for BGP, a community takes the form AA:NN, where the first part is the AS number and the second part is a 2-byte number.
<b>Step 9</b>	<b>end</b> <b>Example:</b> Device (config) # <b>end</b>	Returns to privileged EXEC mode.
<b>Step 10</b>	<b>show ip bgp community</b> <b>Example:</b> Device# <b>show ip bgp community</b>	Verifies the configuration.
<b>Step 11</b>	<b>copy running-config startup-config</b> <b>Example:</b> Device# <b>copy running-config startup-config</b>	(Optional) Saves your entries in the configuration file.

## Configuring BGP Neighbors and Peer Groups

To assign configuration options to an individual neighbor, specify any of these router configuration commands by using the neighbor IP address. To assign the options to a peer group, specify any of the commands by using the peer group name. You can disable a BGP peer or peer group without removing all the configuration information by using the **neighbor shutdown** router configuration command.

### Procedure

	Command or Action	Purpose
<b>Step 1</b>	<b>enable</b> <b>Example:</b>  Device> <b>enable</b>	Enables privileged EXEC mode.  Enter your password if prompted.
<b>Step 2</b>	<b>configure terminal</b> <b>Example:</b>  Device# <b>configure terminal</b>	Enters global configuration mode.
<b>Step 3</b>	<b>router bgp</b> <i>autonomous-system</i>	Enters BGP router configuration mode.
<b>Step 4</b>	<b>neighbor</b> <i>peer-group-name</i> <b>peer-group</b>	Creates a BGP peer group.
<b>Step 5</b>	<b>neighbor</b> <i>ip-address</i> <b>peer-group</b> <i>peer-group-name</i>	Makes a BGP neighbor a member of the peer group.
<b>Step 6</b>	<b>neighbor</b> { <i>ip-address</i>   <i>peer-group-name</i> } <b>remote-as</b> <i>number</i>	Specifies a BGP neighbor. If a peer group is not configured with a <b>remote-as</b> <i>number</i> , use this command to create peer groups containing EBGP neighbors. The range is 1 to 65535.
<b>Step 7</b>	<b>neighbor</b> { <i>ip-address</i>   <i>peer-group-name</i> } <b>description</b> <i>text</i>	(Optional) Associates a description with a neighbor.
<b>Step 8</b>	<b>neighbor</b> { <i>ip-address</i>   <i>peer-group-name</i> } <b>default-originate</b> [ <b>route-map</b> <i>map-name</i> ]	(Optional) Allows a BGP speaker (the local router) to send the default route 0.0.0.0 to a neighbor for use as a default route.
<b>Step 9</b>	<b>neighbor</b> { <i>ip-address</i>   <i>peer-group-name</i> } <b>send-community</b>	(Optional) Specifies that the COMMUNITIES attribute be sent to the neighbor at this IP address.
<b>Step 10</b>	<b>neighbor</b> { <i>ip-address</i>   <i>peer-group-name</i> } <b>update-source</b> <i>interface</i>	(Optional) Allows internal BGP sessions to use any operational interface for TCP connections.
<b>Step 11</b>	<b>neighbor</b> { <i>ip-address</i>   <i>peer-group-name</i> } <b>ebgp-multihop</b>	(Optional) Allows BGP sessions, even when the neighbor is not on a directly connected segment. The multihop session is not

	Command or Action	Purpose
		established if the only route to the multihop peer's address is the default route (0.0.0.0).
<b>Step 12</b>	<b>neighbor</b> { <i>ip-address</i>   <i>peer-group-name</i> } <b>local-as</b> <i>number</i>	(Optional) Specifies an AS number to use as the local AS. The range is 1 to 65535.
<b>Step 13</b>	<b>neighbor</b> { <i>ip-address</i>   <i>peer-group-name</i> } <b>advertisement-interval</b> <i>seconds</i>	(Optional) Sets the minimum interval between sending BGP routing updates.
<b>Step 14</b>	<b>neighbor</b> { <i>ip-address</i>   <i>peer-group-name</i> } <b>maximum-prefix</b> <i>maximum</i> [ <i>threshold</i> ]	(Optional) Controls how many prefixes can be received from a neighbor. The range is 1 to 4294967295. The <i>threshold</i> (optional) is the percentage of maximum at which a warning message is generated. The default is 75 percent.
<b>Step 15</b>	<b>neighbor</b> { <i>ip-address</i>   <i>peer-group-name</i> } <b>next-hop-self</b>	(Optional) Disables next-hop processing on the BGP updates to a neighbor.
<b>Step 16</b>	<b>neighbor</b> { <i>ip-address</i>   <i>peer-group-name</i> } <b>password</b> <i>string</i>	(Optional) Sets MD5 authentication on a TCP connection to a BGP peer. The same password must be configured on both BGP peers, or the connection between them is not made.
<b>Step 17</b>	<b>neighbor</b> { <i>ip-address</i>   <i>peer-group-name</i> } <b>route-map</b> <i>map-name</i> { <b>in</b>   <b>out</b> }	(Optional) Applies a route map to incoming or outgoing routes.
<b>Step 18</b>	<b>neighbor</b> { <i>ip-address</i>   <i>peer-group-name</i> } <b>send-community</b>	(Optional) Specifies that the COMMUNITIES attribute be sent to the neighbor at this IP address.
<b>Step 19</b>	<b>neighbor</b> { <i>ip-address</i>   <i>peer-group-name</i> } <b>timers</b> <i>keepalive holdtime</i>	(Optional) Sets timers for the neighbor or peer group. <ul style="list-style-type: none"> <li>The <i>keepalive</i> interval is the time within which keepalive messages are sent to peers. The range is 1 to 4294967295 seconds; the default is 60.</li> <li>The <i>holdtime</i> is the interval after which a peer is declared inactive after not receiving a keepalive message from it. The range is 1 to 4294967295 seconds; the default is 180.</li> </ul>
<b>Step 20</b>	<b>neighbor</b> { <i>ip-address</i>   <i>peer-group-name</i> } <b>weight</b> <i>weight</i>	(Optional) Specifies a weight for all routes from a neighbor.
<b>Step 21</b>	<b>neighbor</b> { <i>ip-address</i>   <i>peer-group-name</i> } <b>distribute-list</b> { <i>access-list-number</i>   <i>name</i> } { <b>in</b>   <b>out</b> }	(Optional) Filter BGP routing updates to or from neighbors, as specified in an access list.

	Command or Action	Purpose
Step 22	<b>neighbor</b> { <i>ip-address</i>   <i>peer-group-name</i> } <b>filter-list</b> <i>access-list-number</i> { <b>in</b>   <b>out</b>   <b>weight</b> <i>weight</i> }	(Optional) Establish a BGP filter.
Step 23	<b>neighbor</b> { <i>ip-address</i>   <i>peer-group-name</i> } <b>version</b> <i>value</i>	(Optional) Specifies the BGP version to use when communicating with a neighbor.
Step 24	<b>neighbor</b> { <i>ip-address</i>   <i>peer-group-name</i> } <b>soft-reconfiguration inbound</b>	(Optional) Configures the software to start storing received updates.
Step 25	<b>end</b>  <b>Example:</b>  Device (config) # <b>end</b>	Returns to privileged EXEC mode.
Step 26	<b>show ip bgp neighbors</b>	Verifies the configuration.
Step 27	<b>copy running-config startup-config</b>  <b>Example:</b>  Device# <b>copy running-config startup-config</b>	(Optional) Saves your entries in the configuration file.

## Configuring Aggregate Addresses in a Routing Table

### Procedure

	Command or Action	Purpose
Step 1	<b>enable</b>  <b>Example:</b>  Device> <b>enable</b>	Enables privileged EXEC mode.  Enter your password if prompted.
Step 2	<b>configure terminal</b>  <b>Example:</b>  Device# <b>configure terminal</b>	Enters global configuration mode.
Step 3	<b>router bgp</b> <i>autonomous-system</i>  <b>Example:</b>  Device (config) # <b>router bgp 106</b>	Enters BGP router configuration mode.

	Command or Action	Purpose
Step 4	<b>aggregate-address</b> <i>address mask</i> <b>Example:</b> Device (config-router) # <b>aggregate-address</b> 10.0.0.0 255.0.0.0	Creates an aggregate entry in the BGP routing table. The aggregate route is advertised as coming from the AS, and the atomic aggregate attribute is set to indicate that information might be missing.
Step 5	<b>aggregate-address</b> <i>address mask as-set</i> <b>Example:</b> Device (config-router) # <b>aggregate-address</b> 10.0.0.0 255.0.0.0 <b>as-set</b>	(Optional) Generates AS set path information. This command creates an aggregate entry following the same rules as the previous command, but the advertised path will be an AS_SET consisting of all elements contained in all paths. Do not use this keyword when aggregating many paths because this route must be continually withdrawn and updated.
Step 6	<b>aggregate-address</b> <i>address-mask summary-only</i> <b>Example:</b> Device (config-router) # <b>aggregate-address</b> 10.0.0.0 255.0.0.0 <b>summary-only</b>	(Optional) Advertises summary addresses only.
Step 7	<b>aggregate-address</b> <i>address mask suppress-map map-name</i> <b>Example:</b> Device (config-router) # <b>aggregate-address</b> 10.0.0.0 255.0.0.0 <b>suppress-map</b> map1	(Optional) Suppresses selected, more specific routes.
Step 8	<b>aggregate-address</b> <i>address mask advertise-map map-name</i> <b>Example:</b> Device (config-router) # <b>aggregate-address</b> 10.0.0.0 255.0.0.0 <b>advertise-map</b> map2	(Optional) Generates an aggregate based on conditions specified by the route map.
Step 9	<b>aggregate-address</b> <i>address mask attribute-map map-name</i> <b>Example:</b> Device (config-router) # <b>aggregate-address</b> 10.0.0.0 255.0.0.0 <b>attribute-map</b> map3	(Optional) Generates an aggregate with attributes specified in the route map.
Step 10	<b>end</b> <b>Example:</b> Device (config) # <b>end</b>	Returns to privileged EXEC mode.

	Command or Action	Purpose
<b>Step 11</b>	<b>show ip bgp neighbors [advertised-routes]</b> <b>Example:</b> Device# <code>show ip bgp neighbors</code>	Verifies the configuration.
<b>Step 12</b>	<b>copy running-config startup-config</b> <b>Example:</b> Device# <code>copy running-config startup-config</code>	(Optional) Saves your entries in the configuration file.

## Configuring Routing Domain Confederations

You must specify a confederation identifier that acts as the autonomous system number for the group of autonomous systems.

### Procedure

	Command or Action	Purpose
<b>Step 1</b>	<b>enable</b> <b>Example:</b> Device> <code>enable</code>	Enables privileged EXEC mode. Enter your password if prompted.
<b>Step 2</b>	<b>configure terminal</b> <b>Example:</b> Device# <code>configure terminal</code>	Enters global configuration mode.
<b>Step 3</b>	<b>router bgp <i>autonomous-system</i></b> <b>Example:</b> Device(config)# <code>router bgp 100</code>	Enters BGP router configuration mode.
<b>Step 4</b>	<b>bgp confederation identifier <i>autonomous-system</i></b> <b>Example:</b> Device(config)# <code>bgp confederation identifier 50007</code>	Configures a BGP confederation identifier.
<b>Step 5</b>	<b>bgp confederation peers <i>autonomous-system</i> [<i>autonomous-system ...</i>]</b> <b>Example:</b>	Specifies the autonomous systems that belong to the confederation and that will be treated as special EBGp peers.



	Command or Action	Purpose
	Device(config)# <b>bgp confederation peers</b> 51000 51001 51002	
<b>Step 6</b>	<b>end</b> <b>Example:</b>  Device(config)# <b>end</b>	Returns to privileged EXEC mode.
<b>Step 7</b>	<b>show ip bgp neighbor</b> <b>Example:</b>  Device# <b>show ip bgp neighbor</b>	Verifies the configuration.
<b>Step 8</b>	<b>show ip bgp network</b> <b>Example:</b>  Device# <b>show ip bgp network</b>	Verifies the configuration.
<b>Step 9</b>	<b>copy running-config startup-config</b> <b>Example:</b>  Device# <b>copy running-config</b> <b>startup-config</b>	(Optional) Saves your entries in the configuration file.

## Configuring BGP Route Reflectors

### Procedure

	Command or Action	Purpose
<b>Step 1</b>	<b>enable</b> <b>Example:</b>  Device> <b>enable</b>	Enables privileged EXEC mode. Enter your password if prompted.
<b>Step 2</b>	<b>configure terminal</b> <b>Example:</b>  Device# <b>configure terminal</b>	Enters global configuration mode.
<b>Step 3</b>	<b>router bgp</b> <i>autonomous-system</i> <b>Example:</b>  Device(config)# <b>router bgp</b> 101	Enters BGP router configuration mode.

	Command or Action	Purpose
<b>Step 4</b>	<b>neighbor</b> { <i>ip-address</i>   <i>peer-group-name</i> } <b>route-reflector-client</b>  <b>Example:</b>  Device(config-router)# <b>neighbor</b> <b>172.16.70.24 route-reflector-client</b>	Configures the local router as a BGP route reflector and the specified neighbor as a client.
<b>Step 5</b>	<b>bgp cluster-id</b> <i>cluster-id</i>  <b>Example:</b>  Device(config-router)# <b>bgp cluster-id</b> <b>10.0.1.2</b>	(Optional) Configures the cluster ID if the cluster has more than one route reflector.
<b>Step 6</b>	<b>no bgp client-to-client reflection</b>  <b>Example:</b>  Device(config-router)# <b>no bgp</b> <b>client-to-client reflection</b>	(Optional) Disables client-to-client route reflection. By default, the routes from a route reflector client are reflected to other clients. However, if the clients are fully meshed, the route reflector does not need to reflect routes to clients.
<b>Step 7</b>	<b>end</b>  <b>Example:</b>  Device(config)# <b>end</b>	Returns to privileged EXEC mode.
<b>Step 8</b>	<b>show ip bgp</b>  <b>Example:</b>  Device# <b>show ip bgp</b>	Verifies the configuration. Displays the originator ID and the cluster-list attributes.
<b>Step 9</b>	<b>copy running-config startup-config</b>  <b>Example:</b>  Device# <b>copy running-config</b> <b>startup-config</b>	(Optional) Saves your entries in the configuration file.

## Configuring Route Dampening

### Procedure

	Command or Action	Purpose
<b>Step 1</b>	<b>enable</b>  <b>Example:</b>	Enables privileged EXEC mode.  Enter your password if prompted.

	Command or Action	Purpose
	Device> <b>enable</b>	
<b>Step 2</b>	<b>configure terminal</b> <b>Example:</b> Device# <b>configure terminal</b>	Enters global configuration mode.
<b>Step 3</b>	<b>router bgp</b> <i>autonomous-system</i> <b>Example:</b> Device (config)# <b>router bgp 100</b>	Enters BGP router configuration mode.
<b>Step 4</b>	<b>bgp dampening</b> <b>Example:</b> Device (config-router)# <b>bgp dampening</b>	Enables BGP route dampening.
<b>Step 5</b>	<b>bgp dampening</b> <i>half-life reuse suppress max-suppress [route-map map]</i> <b>Example:</b> Device (config-router)# <b>bgp dampening 30 1500 10000 120</b>	(Optional) Changes the default values of route dampening factors.
<b>Step 6</b>	<b>end</b> <b>Example:</b> Device (config)# <b>end</b>	Returns to privileged EXEC mode.
<b>Step 7</b>	<b>show ip bgp flap-statistics</b> [{ <b>regexp</b> <i>regexp</i> }   { <b>filter-list</b> <i>list</i> }   { <i>address mask</i> [ <b>longer-prefix</b> ]}] <b>Example:</b> Device# <b>show ip bgp flap-statistics</b>	(Optional) Monitors the flaps of all paths that are flapping. The statistics are deleted when the route is not suppressed and is stable.
<b>Step 8</b>	<b>show ip bgp dampened-paths</b> <b>Example:</b> Device# <b>show pi bgp dampened-paths</b>	(Optional) Displays the dampened routes, including the time remaining before they are suppressed.
<b>Step 9</b>	<b>clear ip bgp flap-statistics</b> [{ <b>regexp</b> <i>regexp</i> }   { <b>filter-list</b> <i>list</i> }   { <i>address mask</i> [ <b>longer-prefix</b> ]}] <b>Example:</b>	(Optional) Clears BGP flap statistics to make it less likely that a route will be dampened.

	Command or Action	Purpose
	Device# <code>clear ip bgp flap-statistics</code>	
<b>Step 10</b>	<b>clear ip bgp dampening</b> <b>Example:</b> Device# <code>clear ip bgp dampening</code>	(Optional) Clears route dampening information, and unsuppress the suppressed routes.
<b>Step 11</b>	<b>copy running-config startup-config</b> <b>Example:</b> Device# <code>copy running-config startup-config</code>	(Optional) Saves your entries in the configuration file.

## Conditionally Injecting BGP Routes

Use this task to inject more specific prefixes into a BGP routing table over less specific prefixes that were selected through normal route aggregation. These more specific prefixes can be used to provide a finer granularity of traffic engineering or administrative control than is possible with aggregated routes.

### Before you begin

This task assumes that the IGP is already configured for the BGP peers.

### Procedure

	Command or Action	Purpose
<b>Step 1</b>	<b>enable</b> <b>Example:</b> Device> <code>enable</code>	Enables privileged EXEC mode. Enter your password if prompted.
<b>Step 2</b>	<b>configure terminal</b> <b>Example:</b> Device# <code>configure terminal</code>	Enters global configuration mode.
<b>Step 3</b>	<b>router bgp</b> <i>autonomous-system-number</i> <b>Example:</b> Device(config)# <code>router bgp 40000</code>	Enters router configuration mode for the specified routing process.
<b>Step 4</b>	<b>bgp inject-map</b> <i>inject-map-name</i> <b>exist-map</b> <i>exist-map-name</i> [ <b>copy-attributes</b> ] <b>Example:</b>	Specifies the inject map and the exist map for conditional route injection.

	Command or Action	Purpose
	<pre>Device(config-router)# <b>bgp inject-map</b> <b>ORIGINATE exist-map LEARNED_PATH</b></pre>	<ul style="list-style-type: none"> <li>Use the <b>copy-attributes</b> keyword to specify that the injected route inherit the attributes of the aggregate route.</li> </ul>
<b>Step 5</b>	<p><b>exit</b></p> <p><b>Example:</b></p> <pre>Device(config-router)# <b>exit</b></pre>	Exits router configuration mode and enters global configuration mode.
<b>Step 6</b>	<pre><b>route-map map-tag [permit   deny]</b> <b>[sequence-number]</b></pre> <p><b>Example:</b></p> <pre>Device(config)# <b>route-map LEARNED_PATH</b> <b>permit 10</b></pre>	Configures a route map and enters route map configuration mode.
<b>Step 7</b>	<pre><b>match ip address {access-list-number</b> <b>[access-list-number...   access-list-name...]</b> <b>access-list-name [access-list-number...  </b> <b>access-list-name]   prefix-list prefix-list-name</b> <b>[prefix-list-name...]}</b></pre> <p><b>Example:</b></p> <pre>Device(config-route-map)# <b>match ip</b> <b>address prefix-list SOURCE</b></pre>	<p>Specifies the aggregate route to which a more specific route will be injected.</p> <ul style="list-style-type: none"> <li>In this example, the prefix list named SOURCE is used to redistribute the source of the route.</li> </ul>
<b>Step 8</b>	<pre><b>match ip route-source {access-list-number</b> <b>  access-list-name} [access-list-number...]</b> <b>access-list-name...]</b></pre> <p><b>Example:</b></p> <pre>Device(config-route-map)# <b>match ip</b> <b>route-source prefix-list ROUTE_SOURCE</b></pre>	<p>Specifies the match conditions for redistributing the source of the route.</p> <ul style="list-style-type: none"> <li>In this example, the prefix list named ROUTE_SOURCE is used to redistribute the source of the route.</li> </ul> <p><b>Note</b> The route source is the neighbor address that is configured with the <b>neighbor remote-as</b> command. The tracked prefix must come from this neighbor in order for conditional route injection to occur.</p>
<b>Step 9</b>	<p><b>exit</b></p> <p><b>Example:</b></p> <pre>Device(config-route-map)# <b>exit</b></pre>	Exits route map configuration mode and enters global configuration mode.

	Command or Action	Purpose
<b>Step 10</b>	<b>route-map</b> <i>map-tag</i> [ <b>permit</b>   <b>deny</b> ] [ <i>sequence-number</i> ]  <b>Example:</b>  Device(config)# <b>route-map</b> ORIGINATE <b>permit</b> 10	Configures a route map and enters route map configuration mode.
<b>Step 11</b>	<b>set ip address</b> { <i>access-list-number</i> [ <i>access-list-number...</i>   <i>access-list-name...</i> ]   <i>access-list-name</i> [ <i>access-list-number...</i>   <i>access-list-name</i> ]   <b>prefix-list</b> <i>prefix-list-name</i> [ <i>prefix-list-name...</i> ] }  <b>Example:</b>  Device(config-route-map)# <b>set ip address</b> <b>prefix-list</b> ORIGINATED_ROUTES	Specifies the routes to be injected.  In this example, the prefix list named <code>originated_routes</code> is used to redistribute the source of the route.
<b>Step 12</b>	<b>set community</b> { <i>community-number</i> [ <b>additive</b> ] [ <i>well-known-community</i> ]   <b>none</b> }  <b>Example:</b>  Device(config-route-map)# <b>set community</b> 14616:555 <b>additive</b>	Sets the BGP community attribute of the injected route.
<b>Step 13</b>	<b>exit</b>  <b>Example:</b>  Device(config-route-map)# <b>exit</b>	Exits route map configuration mode and enters global configuration mode.
<b>Step 14</b>	<b>ip prefix-list</b> <i>list-name</i> [ <i>seq seq-value</i> ] { <b>deny</b> <i>network/length</i>   <b>permit</b> <i>network/length</i> } [ <b>ge</b> <i>ge-value</i> ] [ <b>le</b> <i>le-value</i> ]  <b>Example:</b>  Device(config)# <b>ip prefix-list</b> SOURCE <b>permit</b> 10.1.1.0/24	Configures a prefix list.  In this example, the prefix list named <code>SOURCE</code> is configured to permit routes from network <code>10.1.1.0/24</code> .
<b>Step 15</b>	Repeat Step 14 for every prefix list to be created.	--
<b>Step 16</b>	<b>exit</b>  <b>Example:</b>  Device(config)# <b>exit</b>	Exits global configuration mode and returns to privileged EXEC mode.
<b>Step 17</b>	<b>show ip bgp injected-paths</b>  <b>Example:</b>  Device# <b>show ip bgp injected-paths</b>	(Optional) Displays information about injected paths.

## Configuring Peer Session Templates

Use the following tasks to create and configure a peer session template:

### Configuring a Basic Peer Session Template

Perform this task to create a basic peer session template with general BGP routing session commands that can be applied to many neighbors using one of the next two tasks.



**Note** The commands in Step 5 and 6 are optional and could be replaced with any supported general session commands.



**Note** The following restrictions apply to the peer session templates:

- A peer session template can directly inherit only one session template, and each inherited session template can also contain one indirectly inherited session template. So, a neighbor or neighbor group can be configured with only one directly applied peer session template and seven additional indirectly inherited peer session templates.
- A BGP neighbor cannot be configured to work with both peer groups and peer templates. A BGP neighbor can be configured to belong only to a peer group or to inherit policies only from peer templates.

#### Procedure

	Command or Action	Purpose
<b>Step 1</b>	<b>enable</b> <b>Example:</b> Device> <b>enable</b>	Enables privileged EXEC mode. Enter your password if prompted.
<b>Step 2</b>	<b>configure terminal</b> <b>Example:</b> Device# <b>configure terminal</b>	Enters global configuration mode.
<b>Step 3</b>	<b>router bgp</b> <i>autonomous-system-number</i> <b>Example:</b> Device(config)# <b>router bgp</b> 101	Enters router configuration mode and creates a BGP routing process.
<b>Step 4</b>	<b>template peer-session</b> <i>session-template-name</i> <b>Example:</b> Device(config-router)# <b>template peer-session INTERNAL-BGP</b>	Enters session-template configuration mode and creates a peer session template.

	Command or Action	Purpose
<b>Step 5</b>	<b>remote-as</b> <i>autonomous-system-number</i> <b>Example:</b> <pre>Device(config-router-stmp)# remote-as 202</pre>	(Optional) Configures peering with a remote neighbor in the specified autonomous system.  <b>Note</b> Any supported general session command can be used here. For a list of the supported commands, see the “Restrictions” section.
<b>Step 6</b>	<b>timers</b> <i>keepalive-interval hold-time</i> <b>Example:</b> <pre>Device(config-router-stmp)# timers 30 300</pre>	(Optional) Configures BGP keepalive and hold timers.  The hold time must be at least twice the keepalive time.  <b>Note</b> Any supported general session command can be used here. For a list of the supported commands, see the “Restrictions” section.
<b>Step 7</b>	<b>end</b> <b>Example:</b> <pre>Device(config-router)# end</pre>	Exits session-template configuration mode and returns to privileged EXEC mode.
<b>Step 8</b>	<b>show ip bgp template peer-session</b> [ <i>session-template-name</i> ] <b>Example:</b> <pre>Device# show ip bgp template peer-session</pre>	Displays locally configured peer session templates.  The output can be filtered to display a single peer policy template with the <i>session-template-name</i> argument. This command also supports all standard output modifiers.

## Configuring Peer Session Template Inheritance with the `inherit peer-session` Command

This task configures peer session template inheritance with the **`inherit peer-session`** command. It creates and configures a peer session template and allows it to inherit a configuration from another peer session template.



**Note** The commands in Steps 5 and 6 are optional and could be replaced with any supported general session commands.

### Procedure

	Command or Action	Purpose
<b>Step 1</b>	<b>enable</b> <b>Example:</b>	Enables privileged EXEC mode.  Enter your password if prompted.



	Command or Action	Purpose
	Device> <code>enable</code>	
<b>Step 2</b>	<b>configure terminal</b> <b>Example:</b> Device# <code>configure terminal</code>	Enters global configuration mode.
<b>Step 3</b>	<b>router bgp</b> <i>autonomous-system-number</i> <b>Example:</b> Device(config)# <code>router bgp 101</code>	Enters router configuration mode and creates a BGP routing process.
<b>Step 4</b>	<b>template peer-session</b> <i>session-template-name</i> <b>Example:</b> Device(config-router)# <code>template peer-session CORE1</code>	Enter session-template configuration mode and creates a peer session template.
<b>Step 5</b>	<b>description</b> <i>text-string</i> <b>Example:</b> Device(config-router-stmp)# <code>description CORE-123</code>	(Optional) Configures a description. The text string can be up to 80 characters. <b>Note</b> Any supported general session command can be used here. For a list of the supported commands, see the “Restrictions” section.
<b>Step 6</b>	<b>update-source</b> <i>interface-type interface-number</i> <b>Example:</b> Device(config-router-stmp)# <code>update-source loopback 1</code>	(Optional) Configures a router to select a specific source or interface to receive routing table updates. The example uses a loopback interface. The advantage to this configuration is that the loopback interface is not as susceptible to the effects of a flapping interface. <b>Note</b> Any supported general session command can be used here. For a list of the supported commands, see the “Restrictions” section.
<b>Step 7</b>	<b>inherit peer-session</b> <i>session-template-name</i> <b>Example:</b> Device(config-router-stmp)# <code>inherit peer-session INTERNAL-BGP</code>	Configures this peer session template to inherit the configuration of another peer session template. The example configures this peer session template to inherit the configuration from INTERNAL-BGP. This template can be applied to a neighbor, and the configuration INTERNAL-BGP will be applied indirectly. No additional peer session templates can be

	Command or Action	Purpose
		directly applied. However, the directly inherited template can contain up to seven indirectly inherited peer session templates.
<b>Step 8</b>	<b>end</b> <b>Example:</b>  Device(config-router)# <b>end</b>	Exits session-template configuration mode and enters privileged EXEC mode.
<b>Step 9</b>	<b>show ip bgp template peer-session</b> [ <i>session-template-name</i> ] <b>Example:</b>  Device# <b>show ip bgp template peer-session</b>	Displays locally configured peer session templates.  The output can be filtered to display a single peer policy template with the optional <i>session-template-name</i> argument. This command also supports all standard output modifiers.

## Configuring Peer Session Template Inheritance with the `neighbor inherit peer-session` Command

This task configures a device to send a peer session template to a neighbor to inherit the configuration from the specified peer session template with the **neighbor inherit peer-session** command. Use the following steps to send a peer session template configuration to a neighbor to inherit.

### Procedure

	Command or Action	Purpose
<b>Step 1</b>	<b>enable</b> <b>Example:</b>  Device> <b>enable</b>	Enables privileged EXEC mode.  Enter your password if prompted.
<b>Step 2</b>	<b>configure terminal</b> <b>Example:</b>  Device# <b>configure terminal</b>	Enters global configuration mode.
<b>Step 3</b>	<b>router bgp</b> <i>autonomous-system-number</i> <b>Example:</b>  Device(config)# <b>router bgp 101</b>	Enters router configuration mode and creates a BGP routing process.
<b>Step 4</b>	<b>neighbor</b> <i>ip-address remote-as autonomous-system-number</i> <b>Example:</b>  Device(config-router)# <b>neighbor 172.16.0.1 remote-as 202</b>	Configures a peering session with the specified neighbor.  The explicit <b>remote-as</b> statement is required for the neighbor inherit statement in Step 5 to work. If a peering is not configured, the

	Command or Action	Purpose
		specified neighbor in Step 5 will not accept the session template.
<b>Step 5</b>	<p><b>neighbor</b> <i>ip-address</i> <b>inherit peer-session</b> <i>session-template-name</i></p> <p><b>Example:</b></p> <pre>Device(config-router)# neighbor 172.16.0.1 inherit peer-session CORE1</pre>	<p>Sends a peer session template to a neighbor so that the neighbor can inherit the configuration.</p> <p>The example configures a device to send the peer session template named CORE1 to the 172.16.0.1 neighbor to inherit. This template can be applied to a neighbor, and if another peer session template is indirectly inherited in CORE1, the indirectly inherited configuration will also be applied. No additional peer session templates can be directly applied. However, the directly inherited template can also inherit up to seven additional indirectly inherited peer session templates.</p>
<b>Step 6</b>	<p><b>end</b></p> <p><b>Example:</b></p> <pre>Device(config-router)# end</pre>	Exits router configuration mode and enters privileged EXEC mode.
<b>Step 7</b>	<p><b>show ip bgp template peer-session</b> [<i>session-template-name</i>]</p> <p><b>Example:</b></p> <pre>Device# show ip bgp template peer-session</pre>	<p>Displays locally configured peer session templates.</p> <p>The output can be filtered to display a single peer policy template with the optional <i>session-template-name</i> argument. This command also supports all standard output modifiers.</p>

## Configuring Peer Policy Templates

Use the following tasks to create and configure a peer policy template:

### Configuring Basic Peer Policy Templates

Perform this task to create a basic peer policy template with BGP policy configuration commands that can be applied to many neighbors using one of the next two tasks.



**Note** The commands in Steps 5 through 7 are optional and could be replaced with any supported BGP policy configuration commands.



**Note** The following restrictions apply to the peer policy templates:

- A peer policy template can directly or indirectly inherit up to eight peer policy templates.
- A BGP neighbor cannot be configured to work with both peer groups and peer templates. A BGP neighbor can be configured to belong only to a peer group or to inherit policies only from peer templates.

### Procedure

	Command or Action	Purpose
<b>Step 1</b>	<b>enable</b> <b>Example:</b> Device> <b>enable</b>	Enables privileged EXEC mode. Enter your password if prompted.
<b>Step 2</b>	<b>configure terminal</b> <b>Example:</b> Device# <b>configure terminal</b>	Enters global configuration mode.
<b>Step 3</b>	<b>router bgp</b> <i>autonomous-system-number</i> <b>Example:</b> Device(config)# <b>router bgp</b> 45000	Enters router configuration mode and creates a BGP routing process.
<b>Step 4</b>	<b>template peer-policy</b> <i>policy-template-name</i> <b>Example:</b> Device(config-router)# <b>template peer-policy GLOBAL</b>	Enters policy-template configuration mode and creates a peer policy template.
<b>Step 5</b>	<b>maximum-prefix</b> <i>prefix-limit [threshold]</i> <b>[restart restart-interval   warning-only]</b> <b>Example:</b> Device(config-router-ptmp)# <b>maximum-prefix 10000</b>	(Optional) Configures the maximum number of prefixes that a neighbor will accept from this peer. <b>Note</b> Any supported BGP policy configuration command can be used here. For a list of the supported commands, see the “Peer Policy Templates” section.
<b>Step 6</b>	<b>weight</b> <i>weight-value</i> <b>Example:</b>	(Optional) Sets the default weight for routes that are sent from this neighbor.

	Command or Action	Purpose
	Device(config-router-ptmp)# <b>weight 300</b>	<b>Note</b> Any supported BGP policy configuration command can be used here. For a list of the supported commands, see the “Peer Policy Templates” section.
<b>Step 7</b>	<b>prefix-list</b> <i>prefix-list-name</i> {in   out} <b>Example:</b> Device(config-router-ptmp)# <b>prefix-list NO-MARKETING in</b>	(Optional) Filters prefixes that are received by the router or sent from the router. The prefix list in the example filters inbound internal addresses. <b>Note</b> Any supported BGP policy configuration command can be used here. For a list of the supported commands, see the “Peer Policy Templates” section.
<b>Step 8</b>	<b>end</b> <b>Example:</b> Device(config-router-ptmp)# <b>end</b>	Exits policy-template configuration mode and returns to privileged EXEC mode.

## Configuring Peer Policy Template Inheritance with the `inherit peer-policy` Command

This task configures peer policy template inheritance using the `inherit peer-policy` command. It creates and configure a peer policy template and allows it to inherit a configuration from another peer policy template.



**Note** The commands in Steps 5 and 6 are optional and could be replaced with any supported BGP policy configuration commands.

### Procedure

	Command or Action	Purpose
<b>Step 1</b>	<b>enable</b> <b>Example:</b> Device> <b>enable</b>	Enables privileged EXEC mode. Enter your password if prompted.
<b>Step 2</b>	<b>configure terminal</b> <b>Example:</b> Device# <b>configure terminal</b>	Enters global configuration mode.

	Command or Action	Purpose
<b>Step 3</b>	<b>router bgp</b> <i>autonomous-system-number</i> <b>Example:</b> Device(config)# <b>router bgp</b> 45000	Enters router configuration mode and creates a BGP routing process.
<b>Step 4</b>	<b>template peer-policy</b> <i>policy-template-name</i> <b>Example:</b> Device(config-router)# <b>template peer-policy</b> NETWORK1	Enter policy-template configuration mode and creates a peer policy template.
<b>Step 5</b>	<b>route-map</b> <i>map-name</i> {in out} <b>Example:</b> Device(config-router-ptmp)# <b>route-map</b> ROUTE in	(Optional) Applies the specified route map to inbound or outbound routes.  <b>Note</b> Any supported BGP policy configuration command can be used here.
<b>Step 6</b>	<b>inherit peer-policy</b> <i>policy-template-name</i> <i>sequence-number</i> <b>Example:</b> Device(config-router-ptmp)# <b>inherit peer-policy</b> GLOBAL 10	Configures the peer policy template to inherit the configuration of another peer policy template. <ul style="list-style-type: none"> <li>• The <i>sequence-number</i> argument sets the order in which the peer policy template is evaluated. Like a route map sequence number, the lowest sequence number is evaluated first.</li> <li>• The example configures this peer policy template to inherit the configuration from GLOBAL. If the template created in these steps is applied to a neighbor, the configuration GLOBAL will also be inherited and applied indirectly. Up to six additional peer policy templates can be indirectly inherited from GLOBAL for a total of eight directly applied and indirectly inherited peer policy templates.</li> <li>• This template in the example will be evaluated first if no other templates are configured with a lower sequence number.</li> </ul>
<b>Step 7</b>	<b>end</b> <b>Example:</b> Device(config-router-ptmp)# <b>end</b>	Exits policy-template configuration mode and returns to privileged EXEC mode.
<b>Step 8</b>	<b>show ip bgp template peer-policy</b> [ <i>policy-template-name</i> ][detail]	Displays locally configured peer policy templates.

	Command or Action	Purpose
	<p><b>Example:</b></p> <pre>Device# show ip bgp template peer-policy NETWORK1 detail</pre>	<ul style="list-style-type: none"> <li>The output can be filtered to display a single peer policy template with the <i>policy-template-name</i> argument. This command also supports all standard output modifiers.</li> <li>Use the <b>detail</b> keyword to display detailed policy information.</li> </ul>

### Examples

The following sample output of the `show ip bgp template peer-policy` command with the **detail** keyword displays details of the policy named NETWORK1. The output in this example shows that the GLOBAL template was inherited. Details of route map and prefix list configurations are also displayed.

```
Device# show ip bgp template peer-policy NETWORK1 detail
Template:NETWORK1, index:2.
Local policies:0x1, Inherited polices:0x80840
This template inherits:
  GLOBAL, index:1, seq_no:10, flags:0x1
Locally configured policies:
  route-map ROUTE in
Inherited policies:
  prefix-list NO-MARKETING in
  weight 300
  maximum-prefix 10000
Template:NETWORK1 <detail>
Locally configured policies:
  route-map ROUTE in
route-map ROUTE, permit, sequence 10
Match clauses:
  ip address prefix-lists: DEFAULT
ip prefix-list DEFAULT: 1 entries
  seq 5 permit 10.1.1.0/24
Set clauses:
  Policy routing matches: 0 packets, 0 bytes
Inherited policies:
  prefix-list NO-MARKETING in
ip prefix-list NO-MARKETING: 1 entries
  seq 5 deny 10.2.2.0/24
```

## Configuring Peer Policy Template Inheritance with the `neighbor inherit peer-policy` Command

This task configures a device to send a peer policy template to a neighbor to inherit using the **neighbor inherit peer-policy** command. Perform the following steps to send a peer policy template configuration to a neighbor to inherit.

When BGP neighbors use multiple levels of peer templates, it can be difficult to determine which policies are applied to the neighbor. The **policy** and **detail** keywords of the `show ip bgp neighbors` command display the inherited policies and policies configured directly on the specified neighbor.

## Procedure

	Command or Action	Purpose
<b>Step 1</b>	<b>enable</b> <b>Example:</b> Device> <b>enable</b>	Enables privileged EXEC mode. Enter your password if prompted.
<b>Step 2</b>	<b>configure terminal</b> <b>Example:</b> Device# <b>configure terminal</b>	Enters global configuration mode.
<b>Step 3</b>	<b>router bgp</b> <i>autonomous-system-number</i> <b>Example:</b> Device(config)# <b>router bgp</b> 45000	Enters router configuration mode and creates a BGP routing process.
<b>Step 4</b>	<b>neighbor</b> <i>ip-address</i> <b>remote-as</b> <i>autonomous-system-number</i> <b>Example:</b> Device(config-router)# <b>neighbor</b> 192.168.1.2 <b>remote-as</b> 40000	Configures a peering session with the specified neighbor. <ul style="list-style-type: none"> <li>The explicit <b>remote-as</b> statement is required for the <b>neighbor inherit</b> statement in Step 6 to work. If a peering is not configured, the specified neighbor in Step 6 will not accept the session template.</li> </ul>
<b>Step 5</b>	<b>address-family</b> <b>ipv4</b> [ <b>multicast</b>   <b>unicast</b>   <b>vrf</b> <i>vrf-name</i> ] <b>Example:</b> Device(config-router)# <b>address-family</b> <b>ipv4 unicast</b>	Enters address family configuration mode to configure a neighbor to accept address family-specific command configurations.
<b>Step 6</b>	<b>neighbor</b> <i>ip-address</i> <b>inherit peer-policy</b> <i>policy-template-name</i> <b>Example:</b> Device(config-router-af)# <b>neighbor</b> 192.168.1.2 <b>inherit peer-policy</b> GLOBAL	Sends a peer policy template to a neighbor so that the neighbor can inherit the configuration. The example configures a router to send the peer policy template named GLOBAL to the 192.168.1.2 neighbor to inherit. This template can be applied to a neighbor, and if another peer policy template is indirectly inherited from GLOBAL, the indirectly inherited configuration will also be applied. Up to seven additional peer policy templates can be indirectly inherited from GLOBAL.
<b>Step 7</b>	<b>end</b> <b>Example:</b>	Exits address family configuration mode and returns to privileged EXEC mode.



	Command or Action	Purpose
	Device(config-router-af) # <b>end</b>	
<b>Step 8</b>	<p><b>show ip bgp neighbors</b> [<i>ip-address</i>][<i>policy</i>][<i>detail</i>]]</p> <p><b>Example:</b></p> <pre>Device# show ip bgp neighbors 192.168.1.2 policy</pre>	<p>Displays locally configured peer policy templates.</p> <ul style="list-style-type: none"> <li>• The output can be filtered to display a single peer policy template with the <i>policy-template-name</i> argument. This command also supports all standard output modifiers.</li> <li>• Use the <b>policy</b> keyword to display the policies applied to this neighbor per address family.</li> <li>• Use the <b>detail</b> keyword to display detailed policy information.</li> </ul>

**Examples**

The following sample output shows the policies applied to the neighbor at 192.168.1.2. The output displays both inherited policies and policies configured on the neighbor device. Inherited policies are policies that the neighbor inherits from a peer-group or a peer-policy template.

```
Device# show ip bgp neighbors 192.168.1.2 policy
Neighbor: 192.168.1.2, Address-Family: IPv4 Unicast
Locally configured policies:
  route-map ROUTE in
Inherited policies:
  prefix-list NO-MARKETING in
  route-map ROUTE in
  weight 300
  maximum-prefix 10000
```

## Configuring BGP Route Map Next-hop Self

Perform this task to modify the existing route map by adding the ip next-hop self setting and overriding the bgp next-hop unchanged and bgp next-hop unchanged allpaths settings.

**Procedure**

	Command or Action	Purpose
<b>Step 1</b>	<p><b>enable</b></p> <p><b>Example:</b></p> <pre>Device&gt; enable</pre>	<p>Enables privileged EXEC mode.</p> <ul style="list-style-type: none"> <li>• Enter your password if prompted.</li> </ul>

	Command or Action	Purpose
<b>Step 2</b>	<b>configure terminal</b> <b>Example:</b>  Device# configure terminal	Enters global configuration mode.
<b>Step 3</b>	<b>route-map map-tag permit sequence-number</b> <b>Example:</b>  Device(config)# route-map static-nexthop-rewrite permit 10	Defines conditions for redistributing routes from one routing protocol to another routing protocol and enters route-map configuration mode.
<b>Step 4</b>	<b>match source-protocol source-protocol</b> <b>Example:</b>  Device(config-route-map)# match source-protocol static	Matches Enhanced Interior Gateway Routing Protocol (EIGRP) external routes based on a source protocol.
<b>Step 5</b>	<b>set ip next-hop self</b> <b>Example:</b>  Device(config-route-map)# set ip next-hop self	Configure local routes (for BGP only) with next hop of self.
<b>Step 6</b>	<b>exit</b> <b>Example:</b>  Device(config-route-map)# exit	Exits route-map configuration mode and enters global configuration mode.
<b>Step 7</b>	<b>route-map map-tag permit sequence-number</b> <b>Example:</b>  Device(config)# route-map static-nexthop-rewrite permit 20	Defines conditions for redistributing routes from one routing protocol to another routing protocol and enters route-map configuration mode.
<b>Step 8</b>	<b>match route-type internal</b> <b>Example:</b>  Device(config-route-map)# match route-type internal	Redistributes routes of the specified type.
<b>Step 9</b>	<b>match route-type external</b> <b>Example:</b>  Device(config-route-map)# match route-type external	Redistributes routes of the specified type.

	Command or Action	Purpose
<b>Step 10</b>	<b>match source-protocol</b> <i>source-protocol</i> <b>Example:</b> <pre>Device(config-route-map)# match source-protocol connected</pre>	Matches Enhanced Interior Gateway Routing Protocol (EIGRP) external routes based on a source protocol.
<b>Step 11</b>	<b>exit</b> <b>Example:</b> <pre>Device(config-route-map)# exit</pre>	Exits route-map configuration mode and enters global configuration mode.
<b>Step 12</b>	<b>router bgp</b> <i>autonomous-system-number</i> <b>Example:</b> <pre>Device(config)# router bgp 45000</pre>	Enters router configuration mode and creates a BGP routing process.
<b>Step 13</b>	<b>neighbor</b> <i>{ip-address   ipv6-address   peer-group-name}</i> <b>remote-as</b> <i>autonomous-system-number</i> <b>Example:</b> <pre>Device(config-router)# neighbor 172.16.232.50 remote-as 65001</pre>	Adds an entry to the BGP or multiprotocol BGP neighbor table.
<b>Step 14</b>	<b>address-family vpnv4</b> <b>Example:</b> <pre>Device(config-router)# address-family vpnv4</pre>	Specifies the VPNv4 address family and enters address family configuration mode.
<b>Step 15</b>	<b>neighbor</b> <i>{ip-address   ipv6-address   peer-group-name}</i> <b>activate</b> <b>Example:</b> <pre>Device(config-router-af)# neighbor 172.16.232.50 activate</pre>	Enables the exchange of information with a Border Gateway Protocol (BGP) neighbor.
<b>Step 16</b>	<b>neighbor</b> <i>{ip-address   ipv6-address   peer-group-name}</i> <b>next-hop unchanged allpaths</b> <b>Example:</b> <pre>Device(config-router-af)# neighbor 172.16.232.50 next-hop unchanged allpaths</pre>	Enables an external EBGP peer that is configured as multihop to propagate the next hop unchanged.
<b>Step 17</b>	<b>neighbor</b> <i>{ip-address   ipv6-address   peer-group-name}</i> <b>route-map</b> <i>map-name</i> <b>out</b>	Applies a route map to an outgoing route.

	Command or Action	Purpose
	<b>Example:</b>  Device(config-router-af)# neighbor 172.16.232.50 route-map static-nexthop-rewrite out	
<b>Step 18</b>	<b>exit</b>  <b>Example:</b>  Device(config-router-af)# exit	Exits address family configuration mode and enters router configuration mode.
<b>Step 19</b>	<b>address-family ipv4 [unicast   multicast  vrf            vrf-name]</b>  <b>Example:</b>  Device(config-router)# address-family ipv4 unicast vrf inside	Specifies the IPv4 address family and enters address family configuration mode.
<b>Step 20</b>	<b>bgp route-map priority</b>  <b>Example:</b>  Device(config-router-af)# bgp route-map priority	Configures the route map priority for the local BGP routing process
<b>Step 21</b>	<b>redistribute protocol</b>  <b>Example:</b>  Device(config-router-af)# redistribute static	Redistributes routes from one routing domain into another routing domain.
<b>Step 22</b>	<b>redistribute protocol</b>  <b>Example:</b>  Device(config-router-af)# redistribute connected	Redistributes routes from one routing domain into another routing domain.
<b>Step 23</b>	<b>exit-address-family</b>  <b>Example:</b>  Device(config-router-af)# exit address-family	Exits address family configuration mode and enters router configuration mode .
<b>Step 24</b>	<b>end</b>  <b>Example:</b>  Device(config-router)# end	Exits router configuration mode and enters privileged EXEC mode.

# Configuration Examples for BGP

The following sections provide configuration examples for BGP.

## Example: Configuring Conditional BGP Route Injection

The following sample output is similar to the output that will be displayed when the **show ip bgp injected-paths** command is entered:

```
Device# show ip bgp injected-paths

BGP table version is 11, local router ID is 10.0.0.1
Status codes:s suppressed, d damped, h history, * valid, > best, i -
internal
Origin codes:i - IGP, e - EGP, ? - incomplete
   Network          Next Hop           Metric LocPrf Weight Path
*> 172.16.0.0       10.0.0.2             0      0   0  ?
*> 172.17.0.0/16   10.0.0.2             0      0   0  ?
```

## Example: Configuring Peer Session Templates

The following example creates a peer session template named INTERNAL-BGP in session-template configuration mode:

```
router bgp 45000
  template peer-session INTERNAL-BGP
  remote-as 50000
  timers 30 300
  exit-peer-session
```

The following example creates a peer session template named CORE1. This example inherits the configuration of the peer session template named INTERNAL-BGP.

```
router bgp 45000
  template peer-session CORE1
  description CORE-123
  update-source loopback 1
  inherit peer-session INTERNAL-BGP
  exit-peer-session
```

The following example configures the 192.168.3.2 neighbor to inherit the CORE1 peer session template. The 192.168.3.2 neighbor will also indirectly inherit the configuration from the peer session template named INTERNAL-BGP. The explicit **remote-as** statement is required for the neighbor inherit statement to work. If a peering is not configured, the specified neighbor will not accept the session template.

```
router bgp 45000
  neighbor 192.168.3.2 remote-as 50000
  neighbor 192.168.3.2 inherit peer-session CORE1
```

## Examples: Configuring Peer Policy Templates

The following example creates a peer policy template named GLOBAL and enters policy-template configuration mode:

```
router bgp 45000
  template peer-policy GLOBAL
  weight 1000
  maximum-prefix 5000
  prefix-list NO_SALES in
  exit-peer-policy
```

The following example creates a peer policy template named PRIMARY-IN and enters policy-template configuration mode:

```
router bgp 45000
  template peer-policy PRIMARY-IN
  prefix-list ALLOW-PRIMARY-A in
  route-map SET-LOCAL in
  weight 2345
  default-originate
  exit-peer-policy
```

The following example creates a peer policy template named CUSTOMER-A. This peer policy template is configured to inherit the configuration from the peer policy templates named PRIMARY-IN and GLOBAL.

```
router bgp 45000
  template peer-policy CUSTOMER-A
  route-map SET-COMMUNITY in
  filter-list 20 in
  inherit peer-policy PRIMARY-IN 20
  inherit peer-policy GLOBAL 10
  exit-peer-policy
```

The following example configures the 192.168.2.2 neighbor in address family mode to inherit the peer policy template named CUSTOMER-A. Assuming this example is a continuation of the example above, because the peer policy template named CUSTOMER-A above inherited the configuration from the templates named PRIMARY-IN and GLOBAL, the 192.168.2.2 neighbor will also indirectly inherit the peer policy templates named PRIMARY-IN and GLOBAL.

```
router bgp 45000
  neighbor 192.168.2.2 remote-as 50000
  address-family ipv4 unicast
  neighbor 192.168.2.2 inherit peer-policy CUSTOMER-A
  end
```

## Example: Configuring BGP Route Map next-hop self

This section contains an example of how to configure BGP Route Map next-hop self.

In this example, a route map is configured that matches the networks where you wish to override settings for `bgp next-hop unchanged` and `bgp next-hop unchanged allpath`. Subsequently, `next-hop self` is configured. After this, the `bgp route map priority` is configured for the specified address family so that the previously specified route map takes priority over the settings for `bgp next-hop unchanged` and `bgp next-hop unchanged allpath`. This configuration results in static routes being redistributed with a next hop of self, but connected routes and routes learned via IBGP or EBGP continue to be redistributed with an unchanged next hop.

```

route-map static-nexthop-rewrite permit 10
  match source-protocol static
  set ip next-hop self
route-map static-nexthop-rewrite permit 20
  match route-type internal
  match route-type external
  match source-protocol connected
!
router bgp 65000
  neighbor 172.16.232.50 remote-as 65001
  address-family vpnv4
    neighbor 172.16.232.50 activate
    neighbor 172.16.232.50 next-hop unchanged allpaths
    neighbor 172.16.232.50 route-map static-nexthop-rewrite out
  exit-address-family
  address-family ipv4 unicast vrf inside
    bgp route-map priority
    redistribute static
    redistribute connected
  exit-address-family
end

```

## Monitoring and Maintaining BGP

You can remove all contents of a particular cache, table, or database. This might be necessary when the contents of the particular structure have become or are suspected to be invalid.

You can display specific statistics, such as the contents of BGP routing tables, caches, and databases. You can use the information to get resource utilization and solve network problems. You can also display information about node reachability and discover the routing path your device's packets are taking through the network.

The table given below lists the privileged EXEC commands for clearing and displaying BGP.

**Table 31: IP BGP Clear and Show Commands**

<b>clear ip bgp</b> <i>address</i>	Resets a particular BGP connection.
<b>clear ip bgp</b> *	Resets all BGP connections.
<b>clear ip bgp peer-group</b> <i>tag</i>	Removes all members of a BGP peer group.
<b>show ip bgp</b> <i>prefix</i>	Displays peer groups and peers not in peer groups to which has been advertised. Also displays prefix attributes such as hop and the local prefix.
<b>show ip bgp cidr-only</b>	Displays all BGP routes that contain subnet and supernetwork masks.
<b>show ip bgp community</b> [ <i>community-number</i> ] [ <b>exact</b> ]	Displays routes that belong to the specified communities.
<b>show ip bgp community-list</b> <i>community-list-number</i> [ <b>exact-match</b> ]	Displays routes that are permitted by the community list.
<b>show ip bgp filter-list</b> <i>access-list-number</i>	Displays routes that are matched by the specified AS path.

<b>show ip bgp inconsistent-as</b>	Displays the routes with inconsistent originating autonomous systems.
<b>show ip bgp regexp</b> <i>regular-expression</i>	Displays the routes that have an AS path that matches the regular expression entered on the command line.
<b>show ip bgp</b>	Displays the contents of the BGP routing table.
<b>show ip bgp neighbors</b> [ <i>address</i> ]	Displays detailed information on the BGP and TCP connections to individual neighbors.
<b>show ip bgp neighbors</b> [ <i>address</i> ] [ <b>advertised-routes</b>   <b>dampened-routes</b>   <b>flap-statistics</b>   <b>paths</b> <i>regular-expression</i>   <b>received-routes</b>   <b>routes</b> ]	Displays routes learned from a particular BGP neighbor.
<b>show ip bgp paths</b>	Displays all BGP paths in the database.
<b>show ip bgp peer-group</b> [ <i>tag</i> ] [ <b>summary</b> ]	Displays information about BGP peer groups.
<b>show ip bgp summary</b>	Displays the status of all BGP connections.

The **bgp log-neighbor changes** command is enabled by default. It allows to log messages that are generated when a BGP neighbor resets, comes up, or goes down.

## Feature History for Border Gateway Protocol

This table provides release and related information for the features explained in this module.

These features are available in all the releases subsequent to the one they were introduced in, unless noted otherwise.

Release	Feature	Feature Information
Cisco IOS XE Everest 16.5.1a	Border Gateway Protocol	<p>The Border Gateway Protocol (BGP) is an exterior gateway protocol used to set up an interdomain routing system that guarantees the loop-free exchange of routing information between autonomous systems.</p> <p>Support for this feature was introduced only on the C9500-12Q, C9500-16X, C9500-24Q, C9500-40X models of the Cisco Catalyst 9500 Series Switches.</p>



Release	Feature	Feature Information
Cisco IOS XE Fuji 16.8.1a	Border Gateway Protocol	<p>The Border Gateway Protocol (BGP) is an exterior gateway protocol used to set up an interdomain routing system that guarantees the loop-free exchange of routing information between autonomous systems.</p> <p>Support for this feature was introduced only on the C9500-32C, C9500-32QC, C9500-48Y4C, and C9500-24Y4C models of the Cisco Catalyst 9500 Series Switches.</p>
Cisco IOS XE Gibraltar 16.11.1	Conditional BGP Route Injection	Conditional BGP Route Injection allows you to originate a prefix into a BGP routing table without the corresponding match.
	BGP Peer Templates	A BGP Peer Template is a configuration pattern that can be applied to neighbors that share policies. Peer templates are reusable and support inheritance, which allows the network operator to group and apply distinct neighbor configurations for BGP neighbors that share policies.
	BGP Route Map Next Hop Self	The BGP Route Map Next Hop Self feature provides a way to override the settings for <code>bgp next-hop unchanged</code> and <code>bgp next-hop unchanged allpath</code> selectively.
Cisco IOS XE Cupertino 17.7.1	Border Gateway Protocol	Support for this feature was introduced on the C9500X-28C8D model of the Cisco Catalyst 9500 Series Switches.

Use the Cisco Feature Navigator to find information about platform and software image support. To access Cisco Feature Navigator, go to <https://cfng.cisco.com/>





## CHAPTER 30

# Configuring BGP Graceful Shutdown

- [Information About BGP Graceful Shutdown, on page 361](#)
- [How to Configure BGP Graceful Shutdown, on page 362](#)
- [Configuration Examples for BGP Graceful Shutdown, on page 367](#)
- [Additional References, on page 369](#)
- [Feature History for BGP Graceful Shutdown, on page 369](#)

## Information About BGP Graceful Shutdown

The following sections provide information about BGP graceful shutdown.

### Purpose and Benefits of BGP Graceful Shutdown

There are times when planned maintenance operations cause routing changes in BGP. After the shutdown of eBGP and iBGP peering sessions between autonomous system border routers (ASBRs), BGP devices are temporarily unreachable during BGP convergence. The goal of gracefully shutting down one or more BGP sessions is to minimize traffic loss during the planned shutdown and subsequent reestablishment of the sessions.

The BGP Graceful Shutdown feature reduces or eliminates the loss of inbound or outbound traffic flows that were initially forwarded along the peering link that is being shut down for maintenance. This feature is primarily for PE-CE, PE-RR and PE-PE links. Lowering the local preference for paths received over the session being shutdown renders the affected paths less preferred by the BGP decision process, but still allows the paths to be used during the convergence while alternative paths are propagated to the affected devices. Therefore, devices always have a valid route available during the convergence process.

The feature also allows vendors to provide a graceful shutdown mechanism that does not require any router reconfiguration at maintenance time. The benefits of the BGP Graceful Shutdown feature are fewer lost packets and less time spent reconfiguring devices.

### GSHUT Community

The GSHUT community is a well-known community used in conjunction with the BGP Graceful Shutdown feature. The GSHUT community attribute is applied to a neighbor specified by the **neighbor shutdown graceful** command, thereby gracefully shutting down the link in an expected number of seconds. The GSHUT community is always sent by the GSHUT initiator.

The GSHUT community is specified in a community list, which is referenced by a route map and then used to make policy routing decisions.

The GSHUT community can also be used in the **show ip bgp community** command to limit output to GSHUT routes.

## BGP GSHUT Enhancement

The BGP Graceful Shutdown (GSHUT) Enhancement feature enables graceful shutdown of either all neighbors or only virtual routing and forwarding (VRF) neighbors across BGP sessions. To enable the BGP GSHUT enhancement feature on the device, you must configure either the **community** keyword or the **local-preference** keyword in the **bgp graceful-shutdown all** command. Use the **activate** keyword to activate graceful shutdown either across all neighbors or only across all VRF neighbors, across all BGP sessions.

## How to Configure BGP Graceful Shutdown

The following sections provide configurational information about BGP graceful shutdown.

### Shutting Down a BGP Link Gracefully

#### Procedure

	Command or Action	Purpose
<b>Step 1</b>	<b>enable</b> <b>Example:</b>  Device> <b>enable</b>	Enables privileged EXEC mode. Enter your password if prompted.
<b>Step 2</b>	<b>configure terminal</b> <b>Example:</b>  Device# <b>configure terminal</b>	Enters global configuration mode.
<b>Step 3</b>	<b>router bgp</b> <i>autonomous-system-number</i> <b>Example:</b>  Device (config)# <b>router bgp</b> 5000	Configures a BGP routing process.
<b>Step 4</b>	<b>neighbor</b> { <i>ipv4-address</i>   <i>ipv6-address</i> } <b>remote-as</b> <i>number</i> <b>Example:</b>  Device (config-router)# <b>neighbor</b> 2001:db8:3::1 <b>remote-as</b> 5500	Configures the autonomous system (AS) to which the neighbor belongs.
<b>Step 5</b>	<b>neighbor</b> { <i>ipv4-address</i>   <i>ipv6-address</i>   <i>peer-group-name</i> } <b>shutdown graceful</b> <i>seconds</i>	Configures the device to gracefully shut down the link to the specified peer in the specified

	Command or Action	Purpose
	<p>{<b>community value</b> [<b>local-preference value</b>]   <b>local-preference value</b>}</p> <p><b>Example:</b></p> <pre>Device(config-router)#neighbor 2001:db8:3::1 shutdown graceful 600 community 1200 local-preference 300</pre>	<p>number of seconds; advertises the route with the GSHUT (Graceful Shutdown) community; and advertises the route with another community or specifies a local preference value for the route, or both.</p> <ul style="list-style-type: none"> <li>• Make sure to specify an adequate amount of time for iBGP peers to converge and to choose an alternate path as the best path.</li> <li>• If the <b>graceful</b> keyword is used in the <b>neighbor shutdown</b> command, at least one of the two attributes (a community or local preference) must be configured. You may configure both attributes.</li> <li>• If the <b>graceful</b> keyword is used in the <b>neighbor shutdown</b> command, the route is advertised with the GSHUT community by default. You may also set one other community for policy routing purposes.</li> <li>• In this particular example, the route to the neighbor is configured to shut down in 600 seconds, is advertised with the GSHUT community and community 1200, and is configured with a local preference of 300.</li> <li>• The device receiving the advertisement looks at the community value(s) of the route and optionally uses the community value to apply routing policy. Filtering routes based on a community is done with the <b>ip community-list</b> command and a route map.</li> <li>• During the graceful shutdown, the <b>neighbor shutdown</b> command is not nvgened. After the timer expires, SHUTDOWN is nvgened.</li> </ul>
<b>Step 6</b>	<p><b>end</b></p> <p><b>Example:</b></p> <pre>Device(config-router)#end</pre>	Returns to EXEC mode.
<b>Step 7</b>	<p><b>show ip bgp community gshut</b></p> <p><b>Example:</b></p> <pre>Device#show ip bgp community gshut</pre>	(Optional) Displays information about the routes that are advertised with the well-known GSHUT community.

## Filtering BGP Routes Based on the GSHUT Community

Perform this task on a BGP peer to the device where you enabled the BGP Graceful Shutdown feature.

### Procedure

	Command or Action	Purpose
<b>Step 1</b>	<b>enable</b> <b>Example:</b>  Device> <b>enable</b>	Enables privileged EXEC mode. Enter your password if prompted.
<b>Step 2</b>	<b>configure terminal</b> <b>Example:</b>  Device# <b>configure terminal</b>	Enters global configuration mode.
<b>Step 3</b>	<b>router bgp</b> <i>autonomous-system-number</i> <b>Example:</b>  Device (config)# <b>router bgp</b> 2000	Configures a BGP routing process.
<b>Step 4</b>	<b>neighbor</b> { <i>ipv4-address</i>   <i>ipv6-address</i> } <b>remote-as</b> <i>number</i> <b>Example:</b>  Device (config-router)# <b>neighbor</b> 2001:db8:4::1 <b>remote-as</b> 1000	Configures the autonomous system (AS) to which the neighbor belongs.
<b>Step 5</b>	<b>neighbor</b> { <i>ipv4-address</i>   <i>ipv6-address</i> } <b>activate</b> <b>Example:</b>  Device (config-router)# <b>neighbor</b> 2001:db8:4::1 <b>activate</b>	Activates the neighbor.
<b>Step 6</b>	<b>neighbor</b> { <i>ipv4-address</i>   <i>ipv6-address</i> } <b>send-community</b> <b>Example:</b>  Device (config-router)# <b>neighbor</b> 2001:db8:4::1 <b>send-community</b>	Enables BGP community exchange with the neighbor.
<b>Step 7</b>	<b>exit</b> <b>Example:</b>  Device (config-router)# <b>exit</b>	Exits router configuration mode.

	Command or Action	Purpose
Step 8	<b>route-map</b> <i>map-tag</i> [ <b>permit</b>   <b>deny</b> ] [ <i>sequence-number</i> ] <b>Example:</b> <pre>Device(config)#route-map RM_GSHUT deny 10</pre>	Configures a route map to permit or deny routes for policy routing.
Step 9	<b>match community</b> { <i>standard-list-number</i>   <i>expanded-list-number</i>   <i>community-list-name</i> [ <b>exact</b> ]} <b>Example:</b> <pre>Device(config-route-map)#match community GSHUT</pre>	Configures that the routes that match ip community-list GSHUT will be policy routed.
Step 10	<b>exit</b> <b>Example:</b> <pre>Device(config-route-map)#exit</pre>	Exits route-map configuration mode.
Step 11	<b>ip community-list</b> { <i>standard</i>   <i>standard list-name</i> } { <b>deny</b>   <b>permit</b> } <b>gshut</b> <b>Example:</b> <pre>Device(config)#ip community-list standard GSHUT permit gshut</pre>	Configures a community list and permits or denies routes that have the GSHUT community to the community list.  If you specify other communities in the same statement, there is a logical AND operation and all communities in the statement must match the communities for the route in order for the statement to be processed.
Step 12	<b>router bgp</b> <i>autonomous-system-number</i> <b>Example:</b> <pre>Device(config)#router bgp 2000</pre>	Configures a BGP routing process.
Step 13	<b>neighbor</b> <i>address</i> <b>route-map</b> <i>map-name</i> <b>in</b> <b>Example:</b> <pre>Device(config)#neighbor 2001:db8:4::1 route-map RM_GSHUT in</pre>	Applies the route map to incoming routes from the specified neighbor.  In this example, the route map named RM_GSHUT denies routes from the specified neighbor that have the GSHUT community.

## Configuring BGP GSHUT Enhancement

### Procedure

	Command or Action	Purpose
Step 1	<b>enable</b>	Enables privileged EXEC mode.

	Command or Action	Purpose
	<b>Example:</b> Device> <b>enable</b>	Enter your password if prompted.
<b>Step 2</b>	<b>configure terminal</b> <b>Example:</b> Device# <b>configure terminal</b>	Enters global configuration mode.
<b>Step 3</b>	<b>router bgp</b> <i>autonomous-system-number</i> <b>Example:</b> Device (config) # <b>router bgp 65000</b>	Enters router configuration mode to create or configure a BGP routing process.
<b>Step 4</b>	<b>bgp graceful-shutdown all</b> { <b>neighbors</b>   <b>vrf</b> s} <i>shutdown-time</i> { <b>community</b> <i>community-value</i>   <b>local-preference</b> <i>local-pref-value</i>   <b>local-preference</b> <i>local-pref-value</i> [ <b>community</b> <i>community-value</i> ]} <b>Example:</b> Device (config-router) # <b>bgp</b> <b>graceful-shutdown all neighbors 180</b> <b>local-preference 20 community 10</b>	Enables the BGP GSHUT enhancement feature on the device.
<b>Step 5</b>	<b>bgp graceful-shutdown all</b> { <b>neighbors</b>   <b>vrf</b> s} <b>activate</b> <b>Example:</b> Device (config-router) # <b>bgp</b> <b>graceful-shutdown all neighbors activate</b>	Activates graceful shutdown across all neighbors or only across VRF neighbors for BGP sessions.
<b>Step 6</b>	<b>end</b> <b>Example:</b> Device (config-router) # <b>end</b>	Returns to privileged EXEC mode.
<b>Step 7</b>	<b>show ip bgp</b> <b>Example:</b> Device# <b>show ip bgp neighbors 10.2.2.2  </b> <b>include shutdown</b>	Displays entries in the BGP routing table.
<b>Step 8</b>	<b>show running-config</b> <b>Example:</b> Device# <b>show running-config   session</b> <b>router bgp</b>	Displays running configuration on the device.



# Configuration Examples for BGP Graceful Shutdown

The following sections provide configuration examples for BGP graceful shutdown.

## Example: Shutting Down a BGP Link Gracefully

### Graceful Shutdown While Setting a Local-Preference

This example gracefully shuts down the link to the specified neighbor in 600 seconds, adds the GSHUT community to the route, and sets a local preference of 500 for the route.

```
router bgp 1000
neighbor 2001:db8:5::1 remote-as 2000
neighbor 2001:db8:5::1 shutdown graceful 600 local-preference 500
neighbor 2001:db8:5::1 send-community
exit
```

### Graceful Shutdown While Setting an Additional Community

This example gracefully shuts down the link to the specified neighbor in 600 seconds, and adds the GSHUT community and numbered community to the route.

```
router bgp 1000
neighbor 2001:db8:5::1 remote-as 2000
neighbor 2001:db8:5::1 shutdown graceful 600 community 1400
neighbor 2001:db8:5::1 send-community
exit
```

### Graceful Shutdown while Setting an Additional Community and Local-Preference

This example gracefully shuts down the link to the specified neighbor in 600 seconds, adds the GSHUT community and the numbered community to the route, and sets a local preference of 500 to the route.

```
router bgp 1000
neighbor 2001:db8:5::1 remote-as 2000
neighbor 2001:db8:5::1 shutdown graceful 600 community 1400 local-preference 500
neighbor 2001:db8:5::1 send-community
exit
```

## Example: Filtering BGP Routes Based on the GSHUT Community

In addition to being able to gracefully shut down a BGP route, another use of the GSHUT community is to configure a community list to filter routes with this community from getting into the BGP routing table.

This example illustrates how to use a community list to filter incoming BGP routes based on the GSHUT community. In this example, a route map named RM\_GSHUT denies routes based on a standard community list named GSHUT. The community list contains routes with the GSHUT community. The route map is then applied to incoming routes from the neighbor at 2001:db8:4::1.

```
Device(config)#router bgp 2000
Device(config-router)#neighbor 2001:db8:4::1 remote-as 1000
Device(config-router)#neighbor 2001:db8:4::1 activate
Device(config-router)#neighbor 2001:db8:4::1 send-community
Device(config-router)#exit
Device(config)#route-map RM_GSHUT deny 10
Device(config-route-map)#match community GSHUT
Device(config-route-map)#exit
Device(config)#ip community-list standard GSHUT permit gshut
Device(config)#router bgp 2000
Device(config)#neighbor 2001:db8:4::1 route-map RM_GSHUT in
```

## Example: BGP GSHUT Enhancement

The following example shows how to enable and activate the BGP GSHUT enhancement feature across all neighbors. In this example, the neighbors are configured to gracefully shutdown within the specified duration of 180 seconds.

```
Device>enable
Device#configure terminal
Device(config)#router bgp 65000
Device(config-router)#bgp graceful-shutdown all neighbors 180 local-preference 20 community
10
Device(config-router)#bgp graceful-shutdown all neighbors activate
Device(config-router)#end
```

Following is sample output from the **show ip bgp** command, which displays the graceful shutdown time for each neighbor. In this example, there are two IPv4 neighbors configured with IP address 10.2.2.2 and 172.16.2.1 and one VRF neighbor, tagged v1, is configured with IP address 192.168.1.1.

```
Device#show ip bgp neighbors 10.2.2.2 | include shutdown

Graceful Shutdown Timer running, schedule to reset the peer in 00:02:47 seconds
Graceful Shutdown Localpref set to 20
Graceful Shutdown Community set to 10

Device#show ip bgp neighbors 172.16.2.1 | include shutdown

Graceful Shutdown Timer running, schedule to reset the peer in 00:02:38 seconds
Graceful Shutdown Localpref set to 20
Graceful Shutdown Community set to 10

Device#show ip bgp vpnv4 vrf v1 neighbors 192.168.1.1 | include shutdown

Graceful Shutdown Timer running, schedule to reset the peer in 00:01:45 seconds
Graceful Shutdown Localpref set to 20
Graceful Shutdown Community set to 10
```

Following is sample output from the **show running-config** command, which displays information associated with the BGP session in router configuration mode:

```

Device#show running-config | session router bgp

router bgp 65000
  bgp log-neighbor-changes
  bgp graceful-shutdown all neighbors 180 local-preference 20 community 10
  network 10.1.1.0 mask 255.255.255.0
  neighbor 10.2.2.2 remote-as 40
  neighbor 10.2.2.2 shutdown
  neighbor 172.16.2.1 remote-as 10
  neighbor 172.16.2.1 shutdown
  !
  address-family vpnv4
  neighbor 172.16.2.1 activate
  neighbor 172.16.2.1 send-community both
  exit-address-family
  !
  address-family ipv4 vrf v1
  neighbor 192.168.1.1 remote-as 30
  neighbor 192.168.1.1 shutdown
  neighbor 192.168.1.1 activate
  neighbor 192.168.1.1 send-community both
  exit-address-family

```

## Additional References

### Related Documents

Related Topic	Document Title
BGP commands	<i>Cisco IOS IP Routing: BGP Command Reference</i>

### Standards and RFCs

Standard/RFC	Title
RFC 6198	<i>Requirements for the Graceful Shutdown of BGP Sessions</i>

## Feature History for BGP Graceful Shutdown

This table provides release and related information for the features explained in this module.

These features are available in all the releases subsequent to the one they were introduced in, unless noted otherwise.

Release	Feature	Feature Information
Cisco IOS XE Fuji 16.8.1a	BGP Graceful Shutdown	The BGP Graceful Shutdown feature reduces or eliminates the loss of inbound or outbound traffic flows that were initially forwarded along the peering link that is being shut down for maintenance.
Cisco IOS XE Cupertino 17.7.1	BGP Graceful Shutdown	Support for this feature was introduced on the C9500X-28C8D model of the Cisco Catalyst 9500 Series Switches.

Use the Cisco Feature Navigator to find information about platform and software image support. To access Cisco Feature Navigator, go to <https://cfng.cisco.com/>



## CHAPTER 31

# Configuring BGP Large Community

- [Restrictions for the BGP Large Community, on page 371](#)
- [Information About the BGP Large Community Feature, on page 371](#)
- [How to Configure the BGP Large Community, on page 372](#)
- [Configuration Example: BGP Large Community, on page 379](#)
- [Feature History for BGP Large Community, on page 380](#)

## Restrictions for the BGP Large Community

When large communities are specified in commands, they are specified as three non-negative decimal integers separated by colons. For example as 1:2:3. Each integer is stored in 32 bits. The possible range for each integer is four octet decimal which can be from 0 to 4294967295.

## Information About the BGP Large Community Feature

The BGP large communities attribute provides the capability for tagging routes and modifying BGP routing policy on routers. BGP large communities can be appended or removed selectively on the large community attribute as the route travels from router to router. The BGP large communities are similar attributes to BGP communities, but with a twelve octet size. However, there are no well-known large communities as in communities. The BGP large communities are also split logically into a 4 octet Global Administrator field and a 8 octet Local Administrator field. A 4 octet Autonomous System can fit into the Global Administrator field.

For more information on BGP large community, see the [rfc8092](#) document.

## Large Community Lists

A BGP large community list is used to create groups of large communities which can be used in a match clause of a route map. You can use the large communities to control the routing policy. Routing policy allows you to filter the routes you receive or advertise, or modify the attributes of the routes you receive or advertise. You can also use a large community list to set or delete the large communities selectively.

- Standard large community lists are used to specify large communities.
- Expanded large community lists are used to specify large communities using a regular expression.



## Procedure

	Command or Action	Purpose
<b>Step 1</b>	<b>configure terminal</b> <b>Example:</b>  Device# configure terminal	Enters global configuration mode.
<b>Step 2</b>	<b>router bgp <i>autonomous-system-number</i></b> <b>Example:</b>  Device(config)# router bgp 64496	Enables BGP and assigns the AS number to the local BGP speaker. The AS number can be a 16-bit integer or a 32-bit integer in the form of a higher 16-bit decimal number and a lower 16-bit decimal number.
<b>Step 3</b>	<b>neighbor <i>IP address</i> remote-as <i>autonomous-system-number</i></b> <b>Example:</b>  Device(config-router)# neighbor 209.165.201.1 remote-as 100	Enters global address family configuration mode. This command triggers an automatic notification and session reset for all BGP neighbors.
<b>Step 4</b>	<b>address-family { ipv4   ipv6   l2vpn   nsap { unicast   multicast } }</b> <b>Example:</b>  Device(config-router-neighbor)# address-family ipv4 multicast	Enters global address family configuration mode. This command triggers an automatic notification and session reset for all BGP neighbors.  <b>Note</b> It also supports other available address families.
<b>Step 5</b>	<b>neighbor <i>IP address</i> activate</b> <b>Example:</b>  Device(config-router)# neighbor 209.165.201.1 activate	Enters global address family configuration mode and activates the BGP neighbor.
<b>Step 6</b>	<b>neighbor <i>IP address</i> send-community {both   extended   standard}</b> <b>Example:</b>  Device(config-router-neighbor-af)# neighbor 209.165.201.1 send-community standard	Configures the router to send the large-community attribute to the neighbor 209.165.201.1.  <ul style="list-style-type: none"> <li>• Both—Sends both the extended large community and standard large community attributes to the neighbor.</li> <li>• Extended—Sends the extended community attribute to the neighbor.</li> <li>• Standard—Sends large community and also (regular) community attribute to the neighbor.</li> </ul>

	Command or Action	Purpose
<b>Step 7</b>	<b>exit</b> <b>Example:</b> <pre>Device(config-router)# exit Device(config-router)# exit</pre>	Exits address-family mode and router configuration mode and enters global configuration mode.
<b>Step 8</b>	<b>end</b> <b>Example:</b> <pre>Device(config)# end</pre>	Exits configuration mode and enters privileged EXEC mode.

## Configuring Route-map with Large Community Lists and Matching a Large Community

To match a BGP large community, perform the following steps.

### Procedure

	Command or Action	Purpose
<b>Step 1</b>	<b>configure terminal</b> <b>Example:</b> <pre>Device# configure terminal</pre>	Enters global configuration mode.
<b>Step 2</b>	<b>route-map map-tag [permit   deny]</b> <i>[sequence number]</i> <b>Example:</b> <pre>Device(config)# route-map test permit 10</pre>	Enters the route-map configuration mode and defines the conditions for routes from one routing protocol into another.
<b>Step 3</b>	<b>match large-community {name   numbered}</b> <b>}</b> <b>Example:</b> <pre>Device(config-route-map)# match large-community 1</pre>	Matches a large-community lists. Defines the rules for an entry in the large-community lists and ensures that all the large communities matches the large communities in the routes.
<b>Step 4</b>	<b>exit</b> <b>Example:</b> <pre>Device(config-router)# exit</pre>	Exits router configuration mode and enters global configuration mode.
<b>Step 5</b>	<b>route-map map-tag [permit   deny]</b> <i>[sequence number]</i> <b>Example:</b>	Enters the route-map configuration mode and defines the conditions for routes from one routing protocol into another.



	Command or Action	Purpose
	Device(config)# route-map test permit 10	
<b>Step 6</b>	<b>match large-community</b> <i>{name / numbered}</i> <b>} exact match</b> <b>Example:</b> Device(config-route-map)# match large-community 1 exact-match	Matches a large-community lists. Defines the rules for an entry in the large-community lists and ensures that all the large communities matches the large communities in the routes. The key word exact-match indicates that an exact match is required to match a BGP large community.
<b>Step 7</b>	<b>end</b> <b>Example:</b> Device(config-route-map)# end	Exits route map configuration mode and enters privileged EXEC mode.

## Defining BGP Large Community List

To define the BGP large community list, perform the following steps. BGP large community supports named and numbered community lists.

### Procedure

	Command or Action	Purpose
<b>Step 1</b>	<b>enable</b> <b>Example:</b> Device> enable	Enables higher privilege levels, such as privileged EXEC mode. <ul style="list-style-type: none"> <li>• Enter your password if prompted.</li> </ul>
<b>Step 2</b>	<b>configure terminal</b> <b>Example:</b> Device# configure terminal	Enters global configuration mode.
<b>Step 3</b>	<b>ip large-community-list</b> <i>{standard-list-number   standard</i> <i>standard-list-name } {deny   permit}</i> <i>community-number large-community</i> <b>Example:</b> <b>Numbered Large-community List</b> ip large-community-list 1 permit 1:2:3 5:6:7 ip large-community-list 1 permit 4123456789:4123456780:4123456788 <b>Named Large-community List</b>	Defining the large community based on the standard list number. If you attempt to configure more than 6 communities, the trailing communities that exceed the limit are not processed or saved to the running configuration file.

	Command or Action	Purpose
	<pre>ip large-community-list standard LG_ST permit 1:2:3 5:6:7 ip large-community-list standard LG_ST permit 4123456789:4123456780:4123456788</pre>	
<b>Step 4</b>	<p><b>ip large-community-list</b> <i>{expanded-list number   expanded expanded-list-name}</i> <b>{deny   permit}</b> <i>regex</i></p> <p><b>Example:</b></p> <p><b>Numbered Extended Large-community List</b></p> <pre>ip large-community-list 100 permit ^5:.*:7\$ ip large-community-list 100 permit ^5:.*:8\$</pre> <p><b>Named Extended Large-community List</b></p> <pre>ip large-community-list expanded LG_EX permit ^5:.*:7\$ ip large-community-list expanded LG_EX permit ^5:.*:8\$</pre>	Defines the large communities based on regular expression and matches according to Cisco's regular expression implementation.
<b>Step 5</b>	<p><b>exit</b></p> <p><b>Example:</b></p> <pre>Device(config-router)# exit</pre>	Exits router configuration mode and enters global configuration mode.
<b>Step 6</b>	<p><b>end</b></p> <p><b>Example:</b></p> <pre>Device(config)# end</pre>	Exits route map configuration mode and enters privileged EXEC mode.

## Configuring the Route-map to Set BGP Large Communities

To set the large-communities, perform the following steps.

### Procedure

	Command or Action	Purpose
<b>Step 1</b>	<p><b>configure terminal</b></p> <p><b>Example:</b></p> <pre>Device# configure terminal</pre>	Enters global configuration mode.
<b>Step 2</b>	<p><b>route-map</b> <i>map-tag</i> <b>[permit   deny]</b> <i>[sequence number]</i></p> <p><b>Example:</b></p>	Enters the route-map configuration mode and specifies a set of large communities to a route.

	Command or Action	Purpose
	Device(config)# route-map foo permit 10	
<b>Step 3</b>	<b>set large-community</b> {none   {xx:yy:zz }} <b>Example:</b> Device(config-route-map)# set large-community 1:2:3 5:6:7	A route-map set statement is used to set large communities in a route. It can specify a set of large communities to a route.
<b>Step 4</b>	<b>exit</b> <b>Example:</b> Device(config-router)# exit	Exits router configuration mode and enters global configuration mode.
<b>Step 5</b>	<b>route-map</b> <i>map-tag</i> [permit   deny] <i>[sequence number]</i> <b>Example:</b> Device(config)# route-map foo permit 10	Enters the route-map configuration mode and specifies a set of large communities to a route.
<b>Step 6</b>	<b>set large-community</b> {none   {xx:yy:zz   additive }} <b>Example:</b> Device(config-route-map)# set large-community 1:2:3 5:6:7 additive	A route-map set statement is used to set large communities in a route. It can specify a set of large communities to a route. Also, the keyword additive adds the large communities without removing the existing large communities.
<b>Step 7</b>	<b>end</b> <b>Example:</b> Device(config-route-map)# end	Exits route map configuration mode and enters privileged EXEC mode.

## Deleting Large Communities

To delete BGP large communities, perform the following steps.

### Procedure

	Command or Action	Purpose
<b>Step 1</b>	<b>configure terminal</b> <b>Example:</b> Device# configure terminal	Enters global configuration mode.

	Command or Action	Purpose
<b>Step 2</b>	<b>route-map</b> <i>map-tag</i> [ <b>permit</b>   <b>deny</b> ] <i>[sequence number]</i> <b>Example:</b> <pre>Device(config)# route-map test permit 10</pre>	Enters the route-map configuration mode and defines the conditions for redistributing routes from one routing protocol into another.
<b>Step 3</b>	<b>set large-comm-list</b> <i>community-list-name</i> <b>delete</b> <b>Example:</b> <pre>Device(config-route-map)# set large-comm-list 1 delete Device(config-route-map)#</pre>	Deletes the large-communities based on large-community-list matches.
<b>Step 4</b>	<b>exit</b> <b>Example:</b> <pre>Device(config-router)# exit</pre>	Exits router configuration mode and enters global configuration mode.
<b>Step 5</b>	<b>end</b> <b>Example:</b> <pre>Device(config-route-map)# end</pre>	Exits route map configuration mode and enters privileged EXEC mode.

## Verifying the Configuration of the BGP Large Community

To verify the BGP large community, use the following command. This example shows a list of routes that contain all of the large communities given in the command. The listed routes may contain additional large communities.

```
Device# show bgp large-community 1:2:3 5:6:7
BGP table version is 17, local router ID is 1.1.1.3
Status codes: s suppressed, d damped, h history, * valid, > best, i - internal,
               r RIB-failure, S Stale, m multipath, b backup-path, f RT-Filter,
               x best-external, a additional-path, c RIB-compressed,
Origin codes: i - IGP, e - EGP, ? - incomplete
RPKI validation codes: V valid, I invalid, N Not found
```

```
      Network          Next Hop           Metric LocPrf Weight Path
*>i 5.5.5.5/32        1.1.1.2             0     100     0 ?
*>i 5.5.5.6/32        1.1.1.2             0     100     0 ?
```

This example displays the listed routes that contain only the given large communities when you add the keyword `exact-match` in configuration.

```
Device#show bgp large-community 1:2:3 5:6:7 exact-match
BGP table version is 17, local router ID is 1.1.1.3
Status codes: s suppressed, d damped, h history, * valid, > best, i - internal,
               r RIB-failure, S Stale, m multipath, b backup-path, f RT-Filter,
               x best-external, a additional-path, c RIB-compressed,
```

```

Origin codes: i - IGP, e - EGP, ? - incomplete
RPKI validation codes: V valid, I invalid, N Not found

      Network          Next Hop          Metric LocPrf Weight Path
*>i 5.5.5.5/32        1.1.1.2              0     100     0 ?

```

In these examples, the routes 5.5.5.5/32 and 5.5.5.6/32 contain both the large communities 1:2:3 and 5:6:7. The route 5.5.5.6/32 contains some additional large communities.

This example displays a large-community list.

```

Device#show ip largecommunity-list 20
Large Community standard list 20
  permit 1:1:2

Device#show bgp large-community-list 20
Large Community standard list 20
  permit 1:1:2

```

## Troubleshooting Large Communities

To debug the large communities, use **debug ip bgp update** command.

```

Device#debug ip bgp update

*Mar 10 23:25:01.194: BGP(0): 192.0.0.1 rcvd UPDATE w/ attr: nexthop 192.0.0.1, origin ?,
metric 0, merged path 1, AS_PATH , community 0:44 1:1 2:3, large-community 3:1:244 3:1:245
*Mar 10 23:25:01.194: BGP(0): 192.0.0.1 rcvd 5.5.5.1/32
*Mar 10 23:25:01.194: BGP(0): Revise route installing 1 of 1 routes for 5.5.5.1/32 ->
192.0.0.1(global) to main IP table

```

### Memory Display

The **show ip bgp summary** command displays large-community memory information.

```

Device #show ip bgp summary
BGP router identifier 1.1.1.1, local AS number 1
BGP table version is 3, main routing table version 3
2 network entries using 496 bytes of memory
2 path entries using 272 bytes of memory
1/1 BGP path/bestpath attribute entries using 288 bytes of memory
1 BGP community entries using 40 bytes of memory
2 BGP large-community entries using 96 bytes of memory
0 BGP route-map cache entries using 0 bytes of memory
0 BGP filter-list cache entries using 0 bytes of memory
BGP using 1096 total bytes of memory
BGP activity 3/1 prefixes, 3/1 paths, scan interval 60 secs
2 networks peaked at 13:04:52 Mar 11 2020 EST (00:07:25.579 ago)

Neighbor          V          AS MsgRcvd MsgSent   TblVer  InQ  OutQ  Up/Down   State/PfxRcd
192.0.0.2         4           2    1245    1245     3     0     0 18:47:56         0

```

## Configuration Example: BGP Large Community

The following example shows how to configure route-maps using large-communities.

A route-map set statement is used to set the large communities in a route. It can specify a set of large communities to a route.

The *additive* keyword adds the large communities without removing the existing large communities (for standard large community-lists only).

### Setting Large Communities

This example shows how to set large communities.

```
route-map foo permit 10
  set large-community 1:2:3 5:6:7

route-map foo2 permit 10
  set large-community 1:2:3 5:6:7 additive
```

### Matching Large Communities

This example shows how to match large communities.

```
route-map foo permit 10
  match large-community 1

route-map foo2 permit 10
  match large-community 1 exact-match
```

### Deleting Large Communities

This example shows how to delete a large community.

```
route-map foo
  set large-comm-list 1 delete
```

### Numbered Standard Large Community List

This example shows how to configure a numbered large community list.

```
ip large-community-list 1 permit 1:2:3 5:6:7
ip large-community-list 1 permit 4123456789:4123456780:4123456788
```

### Named Standard Large Community List

This example shows how to configure a named standard large community list.

```
ip large-community-list standard LG_ST permit 1:2:3 5:6:7
ip large-community-list standard LG_ST permit 4123456789:4123456780:4123456788
```

### Numbered Expanded Large Community List

This example shows how to configure a numbered expanded large community list.

```
ip large-community-list 100 permit ^5:.*:7$
ip large-community-list 100 permit ^5:.*:8$
```

### Named Expanded Large Community List

This example shows how to configure a named expanded large community list.

```
ip large-community-list expanded LG_EX permit ^5:.*:7$
ip large-community-list expanded LG_EX permit ^5:.*:8$
```

## Feature History for BGP Large Community

This table provides release and related information for the features explained in this module.

These features are available on all the releases subsequent to the one they were introduced in, unless noted otherwise.

Release	Feature	Feature Information
Cisco IOS XE Bengaluru 17.4.1	BGP Large Community	The BGP large communities attribute provides the capability for tagging routes and modifying BGP routing policy on routers. They are similar attributes to BGP communities, but with a twelve octet size.
Cisco IOS XE Cupertino 17.7.1	BGP Large Community	Support for this feature was introduced on the C9500X-28C8D model of the Cisco Catalyst 9500 Series Switches.

Use the Cisco Feature Navigator to find information about platform and software image support. To access Cisco Feature Navigator, go to <https://cfng.cisco.com/>.







## CHAPTER 32

# Configuring BGP Monitoring Protocol

- [Prerequisites for BGP Monitoring Protocol, on page 383](#)
- [Information About BGP Monitoring Protocol, on page 383](#)
- [How to Configure BGP Monitoring Protocol, on page 384](#)
- [Verifying BGP Monitoring Protocol, on page 389](#)
- [Monitoring BGP Monitoring Protocol, on page 390](#)
- [Configuration Examples for BGP Monitoring Protocol, on page 391](#)
- [Additional References for BGP Monitoring Protocol, on page 395](#)
- [Feature History for BGP Monitoring Protocol, on page 396](#)

## Prerequisites for BGP Monitoring Protocol

Before you configure BGP Monitoring Protocol (BMP) servers, you must configure Border Gateway Protocol (BGP) neighbors, which function as BMP clients, and establish a session with its peers using either IPv4/IPv6 or VPNv4/VPNv6 address-family identifiers.

## Information About BGP Monitoring Protocol

The following sections provide information about BGP monitoring protocol.

### Information About BGP Monitoring Protocol

The BGP Monitoring Protocol (BMP) feature enables monitoring of BGP neighbors (called BMP clients). You can configure a device to function as a BMP server, which monitors either one or several BMP clients, which in turn, has several active peer sessions configured. You can also configure a BMP client to connect to one or more BMP servers. The BMP feature enables configuration of multiple BMP servers (configured as primary servers) to function actively and independent of each other, simultaneously to monitor BMP clients.

Each BMP server is specified by a number and you can use command-line interface (CLI) to configure parameters such as IP address, port number, and so on. Upon activation of a BMP server, it attempts to connect to BMP clients by sending an initiation message. The CLI enables multiple—independent and asynchronous—BMP server connections.

BGP neighbors, called BMP clients, are configured to send data to specific BMP servers for monitoring purposes. These clients are configured in a queue. When a request for a connection arrives from BMP clients

to BMP servers, the connection is established based on the order in which the requests arrived. Once the BMP server connects with the first BMP neighbor, it sends out refresh requests to monitor the BMP clients and starts monitoring those BMP clients with whom the connection is already established.

The session connection requests from the other BMP clients in queue to the BMP servers initiates after an initial delay that you can configure using the **initial-delay** command. If a connection establishes but fails later, due to some reason, the connection request is retried after a delay, which you can configure using **failure-retry-delay** command. If there is repeated failure in connection establishment, the connection retries are delayed based on the delay that is configured using the **flapping-delay** command. Configuring the delay for such requests becomes significant because the routes refresh requests that are sent to all connected BMP clients causes considerable network traffic and load on the device.

To avoid excessive load on the device, the BMP servers send route refresh requests to individual BMP clients at a time, in the order in which connections are established in the queue. Once a BMP client that is already connected is in the “reporting” state, it sends a “peer-up” message to the BMP server. After the client receives a route-refresh request, route monitoring begins for that neighbor. Once the route refresh request ends, the next neighbor in the queue is processed. This cycle continues until all “reporting” BGP neighbors are reported and all routes that are sent by these “reporting” BGP neighbors are continuously monitored. If a neighbor establishes after BMP monitoring has begun, it does not require a route-refresh request. All received routes from that client are sent to BMP servers.

It is advantageous to batch up refresh requests from BMP clients, if several BMP servers are activated in quick succession. Use the **bmp initial-refresh delay** command to configure a delay in triggering the refresh mechanism when the first BMP server comes up. If other BMP servers come online within this time-frame, only one set of refresh requests is sent to the BMP clients. You can also configure the **bmp initial-refresh skip** command to skip all refresh requests from BMP servers and just monitor all incoming messages from the peers.

In a client-server configuration, it is recommended that the resource load of the devices be kept minimal and adding excessive network traffic must be avoided. In the BMP configuration, you can configure various delay timers on the BMP server to avoid flapping during connection between the server and client. To avoid excessive message throughput or high usage of system resources, you can configure the maximum buffer limit for the BMP session.

## How to Configure BGP Monitoring Protocol

The following sections provide configurational information about BGP monitoring protocol.

### Configuring a BGP Monitoring Protocol Session

Perform this task to configure BGP Monitoring Protocol (BMP) session parameters for the BMP servers to establish connectivity with BMP clients.

To configure a BGP monitoring protocol session, perform this procedure:

#### Procedure

	Command or Action	Purpose
Step 1	enable  Example:	Enables privileged EXEC mode. Enter your password if prompted.

	Command or Action	Purpose
	Device> <b>enable</b>	
<b>Step 2</b>	<b>configure terminal</b> <b>Example:</b> Device# <b>configure terminal</b>	Enters global configuration mode.
<b>Step 3</b>	<b>router bgp as-number</b> <b>Example:</b> Device(config)# <b>router bgp 65000</b>	Enters router configuration mode and creates a BGP routing process.
<b>Step 4</b>	<b>bmp {buffer-size buffer-bytes   initial-refresh {delay refresh-delay   skip}   server server-number-n}</b> <b>Example:</b> Device(config-router)# <b>bmp initial-refresh delay 30</b>	Configures BMP parameters for BGP neighbors and enters BMP server configuration mode to configure BMP servers.
<b>Step 5</b>	<b>end</b> <b>Example:</b> Device(config-router)# <b>end</b>	Returns to privileged EXEC mode.

## Configuring BGP Monitoring Protocol on BGP Neighbors

Perform this task to activate BGP Monitoring Protocol (BMP) on BGP neighbors (also called BMP clients) so that the client activity is monitored by the BMP server that is configured on the neighbor.

To configure BGP monitoring protocol on BGP neighbors, perform this procedure:

### Procedure

	Command or Action	Purpose
<b>Step 1</b>	<b>enable</b> <b>Example:</b> Device> <b>enable</b>	Enables privileged EXEC mode. Enter your password if prompted.
<b>Step 2</b>	<b>configure terminal</b> <b>Example:</b> Device# <b>configure terminal</b>	Enters global configuration mode.

	Command or Action	Purpose
<b>Step 3</b>	<b>router bgp</b> <i>as-number</i> <b>Example:</b> Device(config)# <b>router bgp</b> 65000	Enters router configuration mode and creates a BGP routing process.
<b>Step 4</b>	<b>neighbor</b> { <i>ipv4-addr</i>   <i>neighbor-tag</i>   <i>ipv6-addr</i> } <b>bmp-activate</b> { <b>all</b>   <b>server</b> <i>server-number-1</i> [ <b>server</b> <i>server-number-2</i> . . . [ <b>server</b> <i>server-number-n</i> ]]} <b>Example:</b> Device(config-router)# <b>neighbor</b> 30.1.1.1 <b>bmp-activate</b> <b>server</b> 1 <b>server</b> 2	Activates BMP monitoring on a BGP neighbor.
<b>Step 5</b>	Repeat Steps 1 to 4 to configure other BMP clients in the session.	
<b>Step 6</b>	<b>end</b> <b>Example:</b> Device(config-router)# <b>end</b>	Returns to privileged EXEC mode.

## Configuring BGP Monitoring Protocol Servers

Perform this task to configure BGP Monitoring Protocol (BMP) servers and its parameters in BMP server configuration mode.

To configure BGP monitoring protocol servers, perform this procedure:

### Procedure

	Command or Action	Purpose
<b>Step 1</b>	<b>enable</b> <b>Example:</b> Device> <b>enable</b>	Enables privileged EXEC mode. Enter your password if prompted.
<b>Step 2</b>	<b>configure terminal</b> <b>Example:</b> Device# <b>configure terminal</b>	Enters global configuration mode.
<b>Step 3</b>	<b>router bgp</b> <i>as-number</i> <b>Example:</b> Device(config)# <b>router bgp</b> 65000	Enters router configuration mode and creates a BGP routing process.

	Command or Action	Purpose
<b>Step 4</b>	<b>bmp</b> { <b>buffer-size</b> <i>buffer-bytes</i>   <b>initial-refresh</b> { <b>delay</b> <i>refresh-delay</i>   <b>skip</b> }   <b>server</b> <i>server-number-n</i> <b>Example:</b> Device(config-router)# <b>bmp server 1</b>	Enters BMP server configuration mode to configure BMP servers.
<b>Step 5</b>	<b>activate</b> <b>Example:</b> Device(config-router-bmpsrvr)# <b>activate</b>	Initiates a connection between BMP server and BGP neighbors.
<b>Step 6</b>	<b>address</b> { <i>ipv4-addr</i>   <i>ipv6-addr</i> } <b>port-number</b> <i>port-number</i> <b>Example:</b> Device(config-router-bmpsrvr)# <b>address</b> <b>10.1.1.1 port-number 8000</b>	Configures IP address and port number to a specific BMP server.
<b>Step 7</b>	<b>description</b> <b>LINE</b> <i>server-description</i> <b>Example:</b> Device(config-router-bmpsrvr)# <b>description</b> <b>LINE</b> <b>SERVER1</b>	Configures a textual description of a BMP server.
<b>Step 8</b>	<b>failure-retry-delay</b> <i>failure-retry-delay</i> <b>Example:</b> Device(config-router-bmpsrvr)# <b>failure-retry-delay 40</b>	Configures delay in the retry requests during failures when sending BMP server updates.
<b>Step 9</b>	<b>flapping-delay</b> <i>flap-delay</i> <b>Example:</b> Device(config-router-bmpsrvr)# <b>flapping-delay 120</b>	Configures delays in flapping when sending BMP server updates.
<b>Step 10</b>	<b>initial-delay</b> <i>initial-delay-time</i> <b>Example:</b> Device(config-router-bmpsrvr)# <b>initial-delay 20</b>	Configures delays in sending initial requests for updates from the BMP servers.
<b>Step 11</b>	<b>set ip dscp</b> <i>dscp-value</i> <b>Example:</b> Device(config-router-bmpsrvr)# <b>set ip</b> <b>dscp 5</b>	Configures the IP Differentiated Services Code Point (DSCP) values for BMP servers.

	Command or Action	Purpose
<b>Step 12</b>	<b>stats-reporting-period</b> <i>report-period</i> <b>Example:</b> Device(config-router-bmpsrvr) # <b>stats-reporting-period 30</b>	Configures the time interval in which the BMP server receives the statistics report from BGP neighbors.
<b>Step 13</b>	<b>update-source</b> <i>interface-type</i> <i>interface-number</i> <b>Example:</b> Device(config-router-bmpsrvr) # <b>update-source ethernet 0/0</b>	Configures the interface source for routing updates on the BMP servers.
<b>Step 14</b>	<b>exit-bmp-server-mode</b> <b>Example:</b> Device(config-router-bmpsrvr) # <b>exit-bmp-server-mode</b>	Exits from BMP server configuration mode and returns to router configuration mode.
<b>Step 15</b>	Repeat Steps 1 to 14 to configure other BMP servers in the session.	
<b>Step 16</b>	<b>end</b> <b>Example:</b> Device(config-router) # <b>end</b>	Returns to privileged EXEC mode.

## Configuring BGP Monitoring Protocol on VRF Neighbors

Perform this task to activate BGP Monitoring Protocol (BMP) on VRF neighbors.

To configure BGP monitoring protocol on VRF neighbors, perform this procedure:

### Procedure

	Command or Action	Purpose
<b>Step 1</b>	<b>enable</b> <b>Example:</b> Device> <b>enable</b>	Enables privileged EXEC mode. Enter your password if prompted.
<b>Step 2</b>	<b>configure terminal</b> <b>Example:</b> Device# <b>configure terminal</b>	Enters global configuration mode.

	Command or Action	Purpose
<b>Step 3</b>	<b>router bgp</b> <i>as-number</i> <b>Example:</b>  Device(config)# <b>router bgp</b> 65000	Enters router configuration mode and creates a BGP routing process.
<b>Step 4</b>	<b>address-family</b> { <i>ipv4</i>   <i>ipv6</i> } <b>vrf</b> <i>vrf-name</i> <b>Example:</b>  Device (config-router)# <b>address-family</b> 10.1.1.1 <b>vrf</b> vrf1	Enters address family configuration mode and specifies the name of the VPN routing and forwarding (VRF) instance to associate with address family configuration mode commands.
<b>Step 5</b>	<b>neighbor</b> { <i>ipv4-addr</i>   <i>neighbor-tag</i>   <i>ipv6-addr</i> } <b>bmp-activate</b> { <i>all</i>   <i>server server-number-1</i> [ <i>server server-number-2</i> . . . [ <i>server server-number-n</i> ]]} <b>Example:</b>  Device(config-router)# <b>neighbor</b> 10.1.1.1 <b>bmp-activate</b> <b>server</b> 1 <b>server</b> 2	Activates BMP monitoring on a VRF neighbor.
<b>Step 6</b>	Repeat Steps 1 to 5 to configure other VRF neighbors in the session.	
<b>Step 7</b>	<b>end</b> <b>Example:</b>  Device(config-router)# <b>end</b>	Returns to privileged EXEC mode.

## Verifying BGP Monitoring Protocol

Perform the following steps to verify the configuration for the BGP Monitoring Protocol (BMP) servers and BMP clients:

To verify BGP monitoring protocol, perform this procedure:

### Procedure

	Command or Action	Purpose
<b>Step 1</b>	<b>enable</b> <b>Example:</b>  Device> <b>enable</b>	Enables privileged EXEC mode. Enter your password if prompted.
<b>Step 2</b>	<b>show ip bgp bmp</b> <b>Example:</b>	Displays information about BMP servers and neighbors.

	Command or Action	Purpose
	Device# <code>show ip bgp bmp neighbors</code>	
<b>Step 3</b>	<b>show running-config</b> <b>Example:</b> Device# <code>show running-config   section bmp</code>	Displays information about BMP servers and neighbors.

## Monitoring BGP Monitoring Protocol

Perform the following steps to enable debugging and monitor the BGP Monitoring Protocol (BMP) servers. To monitor BGP monitoring protocol, perform this procedure:

### Procedure

	Command or Action	Purpose
<b>Step 1</b>	<b>enable</b> <b>Example:</b> Device> <code>enable</code>	Enables privileged EXEC mode. Enter your password if prompted.
<b>Step 2</b>	<b>debug ip bgp bmp</b> <b>Example:</b> Device# <code>debug ip bgp bmp server</code>	Enables debugging of the BMP attributes.
<b>Step 3</b>	<b>show debugging</b> <b>Example:</b> Device# <code>show debugging</code>	Displays information about the types of debugging that are enabled on a device.



# Configuration Examples for BGP Monitoring Protocol

## Examples for Configuring, Verifying, and Monitoring BGP Monitoring Protocol

### Examples: Configuring BGP Monitoring Protocol



**Note** There are two levels of configuration required for the BGP Monitoring Protocol (BMP) to function as designed. You must enable BMP monitoring on each BGP neighbor (also called BMP client) to which several peers are connected in a network, and establish connectivity between the BMP servers and clients. Then, configure each BMP server in BMP server configuration mode for a specific server with the parameters required for monitoring the associated BMP clients.

The following example shows how to activate BMP on a neighbor with IP address 30.1.1.1, which is monitored by BMP servers (in this case, server 1 and 2):

```
Device> enable
Device# configure terminal
Device(config)# router bgp 65000
Device(config-router)# neighbor 30.1.1.1 bmp-activate server 1 server 2
Device(config-router)# end
```

The following example shows how to configure initial refresh delay of 30 seconds for BGP neighbors on which BMP is activated using the **neighbor bmp-activate** command:

```
Device> enable
Device# configure terminal
Device(config)# router bgp 65000
Device(config-router)# bmp initial-refresh delay 30
Device(config-router)# bmp buffer-size 2048
Device(config-router)# end
```

The following example show how to enter BMP server configuration mode and initiate connection between a specific BMP server with the BGP BMP neighbors. In this example, connection to clients is initiated from BMP servers 1 and 2 along with configuration of the monitoring parameters:

```
Device> enable
Device# configure terminal
Device(config)# router bgp 65000
Device(config-router)# bmp server 1
Device(config-router-bmpsrvr)# activate
Device(config-router-bmpsrvr)# address 10.1.1.1 port-number 8000
Device(config-router-bmpsrvr)# description LINE SERVER1
Device(config-router-bmpsrvr)# failure-retry-delay 40
Device(config-router-bmpsrvr)# flapping-delay 120
Device(config-router-bmpsrvr)# initial-delay 20
Device(config-router-bmpsrvr)# set ip dscp 5
Device(config-router-bmpsrvr)# stats-reporting-period 30
Device(config-router-bmpsrvr)# update-source ethernet 0/0
Device(config-router-bmpsrvr)# exit-bmp-server-mode
Device(config-router)# bmp server 2
```

```

Device(config-router-bmpsrvr)# activate
Device(config-router-bmpsrvr)# address 20.1.1.1 port-number 9000
Device(config-router-bmpsrvr)# description LINE SERVER2
Device(config-router-bmpsrvr)# failure-retry-delay 40
Device(config-router-bmpsrvr)# flapping-delay 120
Device(config-router-bmpsrvr)# initial-delay 20
Device(config-router-bmpsrvr)# set ip dscp 7
Device(config-router-bmpsrvr)# stats-reporting-period 30
Device(config-router-bmpsrvr)# update-source ethernet 2/0
Device(config-router-bmpsrvr)# exit-bmp-server-mode
Device(config-router)# end

```

The following example shows how to activate BMP on a VRF neighbor with IP address 10.1.1.1, which is monitored by BMP servers (in this case, server 1 and 2):

```

Device> enable
Device# configure terminal
Device(config)# router bgp 65000
Device (config-router)# address-family 10.1.1.1 vrf vrf1
Device(config-router)# neighbor 10.1.1.1 bmp-activate server 1 server 2
Device(config-router)# end

```

### Examples: Verifying BGP Monitoring Protocol

The following is sample output from the **show ip bgp bmp server** command for server number 1. The attributes displayed are configured in the BMP server configuration mode:

```

Device# show ip bgp bmp server 1

Print detailed info for 1 server number 1.

bmp server 1
address: 10.1.1.1    port 8000
description SERVER1
up time 00:06:22
session-startup route-refresh
initial-delay 20
failure-retry-delay 40
flapping-delay 120
activated

```

The following is sample output from the **show ip bgp bmp server** command for server number 2. The attributes displayed are configured in the BMP server configuration mode:

```

Device# show ip bgp bmp server 2

Print detailed info for 1 server number 2.

bmp server 2
address: 20.1.1.1    port 9000
description SERVER2
up time 00:06:23
session-startup route-refresh
initial-delay 20
failure-retry-delay 40
flapping-delay 120
activated

```

The following is sample output from the **show ip bgp bmp server summary** command after deactivating the BMP server 1 and 2 connections:

```
Device# show ip bgp bmp server summary
```

```
Number of BMP servers configured: 2
Number of BMP neighbors configured: 10
Number of neighbors on TransitionQ: 0, MonitoringQ: 0, ConfigQ: 0
Number of BMP servers on StatsQ: 0
BMP Refresh not in progress, refresh not scheduled
Initial Refresh Delay configured, refresh value 30s
BMP buffer size configured, buffer size 2048 MB, buffer size bytes used 0 MB
```

ID	Host/Net	Port	TCB	Status	Uptime	MsgSent	LastStat
1	10.1.1.1	8000	0x0	Down		0	
2	20.1.1.1	9000	0x0	Down		0	

The following is sample output from the **show ip bgp bmp neighbors** command, which shows the status of the BGP BMP neighbors after reactivating the BMP server 1 and 2 connections:

```
Device# show ip bgp bmp server neighbors
```

```
Number of BMP neighbors configured: 10
BMP Refresh not in progress, refresh not scheduled
Initial Refresh Delay configured, refresh value 30s
BMP buffer size configured, buffer size 2048 MB, buffer size bytes used 0 MB
```

Neighbor	PriQ	MsgQ	CfgSvr#	ActSvr#	RM Sent
30.1.1.1	0	0	1 2	1 2	16
2001:DB8::2001	0	0	1 2	1 2	15
40.1.1.1	0	0	1 2	1 2	26
2001:DB8::2002	0	0	1 2	1 2	15
50.1.1.1	0	0	1 2	1 2	16
60.1.1.1	0	0	1 2	1 2	26
2001:DB8::2002	0	0	1	1	9
70.1.1.1	0	0	2	2	12

Neighbor	PriQ	MsgQ	CfgSvr#	ActSvr#	RM Sent
80.1.1.1	0	0	1	1	10
2001:DB8::2002	0	0	1 2	1 2	16

The following is sample output from the **show ip bgp bmp server** command for BMP server number 1 and 2. The statistics reporting interval on BMP server 1 and 2 has been set to 30 seconds, therefore each server receives statistics messages from its connected BGP BMP neighbor in each cycle of 30 seconds:

```
Device# show ip bgp bmp server summary
```

```
Number of BMP servers configured: 2
Number of BMP neighbors configured: 10
Number of neighbors on TransitionQ: 0, MonitoringQ: 0, ConfigQ: 0
Number of BMP servers on StatsQ: 0
BMP Refresh not in progress, refresh not scheduled
Initial Refresh Delay configured, refresh value 30s
BMP buffer size configured, buffer size 2048 MB, buffer size bytes used 0 MB
```

ID	Host/Net	Port	TCB	Status	Uptime	MsgSent	LastStat
1	10.1.1.1	8000	0x2A98B07138	Up	00:38:49	162	00:00:09
2	20.1.1.1	9000	0x2A98E17C88	Up	00:38:49	46	00:00:04

```
Device# show ip bgp bmp server summary
```

```
Number of BMP servers configured: 2
```

```

Number of BMP neighbors configured: 10
Number of neighbors on TransitionQ: 0, MonitoringQ: 0, ConfigQ: 0
Number of BMP servers on StatsQ: 0
BMP Refresh not in progress, refresh not scheduled
Initial Refresh Delay configured, refresh value 30s
BMP buffer size configured, buffer size 2048 MB, buffer size bytes used 0 MB

```

ID	Host/Net	Port	TCB	Status	Uptime	MsgSent	LastStat
1	10.1.1.1	8000	0x2A98B07138	Up	00:40:19	189	00:00:07
2	20.1.1.1	9000	0x2A98E17C88	Up	00:40:19	55	00:00:02



**Note** If we configure several BGP BMP neighbors to be monitored by the BMP servers, for example 10, then 10 statistics messages are received by both servers in each periodic cycle that is configured.

The following is sample output from the **show running-config** command, which shows the running configuration on the device:

```

Device# show running-config | section bmp

bmp server 1
address 10.1.1.1 port-number 8000
description SERVER1
initial-delay 20
failure-retry-delay 40
flapping-delay 120
update-source Ethernet0/0
set ip dscp 3
activate
exit-bmp-server-mode
bmp server 2
address 20.1.1.1 port-number 9000
description SERVER2
initial-delay 20
failure-retry-delay 40
flapping-delay 120
update-source Ethernet2/0
set ip dscp 5
activate
exit-bmp-server-mode
bmp initial-refresh delay 30
bmp-activate all

```

### Examples: Monitoring BGP Monitoring Protocol

The following example shows how to enable debugging of the various BMP attributes:

```

Device# debug ip bgp bmp event

BGP BMP events debugging is on

Device# debug ip bgp bmp neighbor

BGP BMP neighbor debugging is on

Device# debug ip bgp bmp server

BGP BMP server debugging is on

```

The following is sample output from the **show debugging** command after you enable the BGP BMP server debugging:

```
Device# show debugging
```

```
IP routing:  
BGP BMP server debugging is on
```

```
Device#
```

```
*Apr 8 21:04:13.164: BGPBMP: BMP server connection attempt timer expired for server 1 -  
10.1.1.1/8000  
*Apr 8 21:04:13.165: BGPBMP: BMP server 1 active open process success - 10.1.1.1/8000  
*Apr 8 21:04:13.165: BGPBMP: TCP KA interval is set to 15
```

```
Device#
```

```
*Apr 8 21:04:15.171: BGPBMP: Register read/write notification callbacks with BMP server 1  
TCB - 10.1.1.1/8000  
*Apr 8 21:04:15.171: BGPBMP: Initiation msg sent to BMP server 1 - 10.1.1.1/8000  
*Apr 8 21:04:15.171: BGPBMP: BMP server 1 connection - 10.1.1.1/8000 up, invoke refresh  
event
```

```
Device#
```

```
*Apr 8 21:04:16.249: BGPBMP: BMP server connection attempt timer expired for server 2 -  
20.1.1.1/9000  
*Apr 8 21:04:16.249: BGPBMP: BMP server 2 active open process success - 20.1.1.1/9000  
*Apr 8 21:04:16.249: BGPBMP: TCP KA interval is set to 15  
*Apr 8 21:04:16.250: BGPBMP: Register read/write notification callbacks with BMP server 2  
TCB - 20.1.1.1/9000  
*Apr 8 21:04:16.250: BGPBMP: Initiation msg sent to BMP server 2 - 20.1.1.1/9000  
*Apr 8 21:04:16.250: BGPBMP: BMP server 2 connection - 20.1.1.1/9000 up, invoke refresh  
event
```

## Additional References for BGP Monitoring Protocol

### Related Documents

Related Topic	Document Title
Cisco IOS commands	<a href="#">Cisco IOS Master Command List, All Releases</a>
BGP commands	<a href="#">Cisco IOS IP Routing: BGP Command Reference</a>

**Technical Assistance**

Description	Link
<p>The Cisco Support website provides extensive online resources, including documentation and tools for troubleshooting and resolving technical issues with Cisco products and technologies.</p> <p>To receive security and technical information about your products, you can subscribe to various services, such as the Product Alert Tool (accessed from Field Notices), the Cisco Technical Services Newsletter, and Really Simple Syndication (RSS) Feeds.</p> <p>Access to most tools on the Cisco Support website requires a Cisco.com user ID and password.</p>	<a href="http://www.cisco.com/support">http://www.cisco.com/support</a>

## Feature History for BGP Monitoring Protocol

This table provides release and related information for the features explained in this module.

These features are available on all the releases subsequent to the one they were introduced in, unless noted otherwise.

Release	Feature	Feature Information
Cisco IOS XE Bengaluru 17.5.1	BGP Monitoring Protocol	The BGP Monitoring Protocol feature supports configuring devices to function as BMP servers, monitoring BGP neighbors and generating statistics reports for BGP neighbors. BMP also performs appropriate error handling, graceful scale up and closing connectivity between BMP servers and BGP neighbors.

Use the Cisco Feature Navigator to find information about platform and software image support. To access Cisco Feature Navigator, go to <https://cfng.cisco.com/>.



## CHAPTER 33

# Configuring BGP Next Hop Unchanged

In an external BGP (eBGP) session, by default, the router changes the next hop attribute of a BGP route (to its own address) when the router sends out a route. The BGP Next Hop Unchanged feature allows BGP to send an update to an eBGP multihop peer with the next hop attribute unchanged.

- [Restrictions for BGP Next Hop Unchanged, on page 397](#)
- [BGP Next Hop Unchanged, on page 397](#)
- [How to Configure BGP Next Hop Unchanged, on page 398](#)
- [Example: BGP Next Hop Unchanged for an eBGP Peer, on page 400](#)
- [Feature History for BGP Next Hop Unchanged, on page 401](#)

## Restrictions for BGP Next Hop Unchanged

The BGP Next Hop Unchanged feature can be configured only between multihop eBGP peers. The following error message will be displayed if you try to configure this feature for a directly connected neighbor:

```
%BGP: Can propagate the nexthop only to multi-hop EBGP neighbor
```

## BGP Next Hop Unchanged

In an external BGP (eBGP) session, by default, the router changes the next hop attribute of a BGP route (to its own address) when the router sends out a route. If the BGP Next Hop Unchanged feature is configured, BGP will send routes to an eBGP multihop peer without modifying the next hop attribute. The next hop attribute is unchanged.



**Note** There is an exception to the default behavior of the router changing the next hop attribute of a BGP route when the router sends out a route. When the next hop is in the same subnet as the peering address of the eBGP peer, the next hop is not modified. This is referred to as third party next-hop.

The BGP Next Hop Unchanged feature provides flexibility when designing and migrating networks. It can be used only between eBGP peers configured as multihop. It can be used in a variety of scenarios between two autonomous systems. One scenario is when multiple autonomous systems are connected that share the same IGP, or at least the routers have another way to reach each other's next hops (which is why the next hop can remain unchanged).

A common use of this feature is to configure Multiprotocol Label Switching (MPLS) inter-AS with multihop MP-eBGP for VPNv4 between RRs.

Another common use of this feature is a VPNv4 inter-AS Option C configuration, as defined in RFC4364, Section 10. In this configuration, VPNv4 routes are passed among autonomous systems between RR of different autonomous systems. The RRs are several hops apart, and have **neighbor next-hop unchanged** configured. PEs of different autonomous systems establish an LSP between them (via a common IGP or by advertising the next-hops--that lead to the PEs--via labeled routes among the ASBRs--routes from different autonomous systems separated by one hop). PEs are able to reach the next hops of the PEs in another AS via the LSPs, and can therefore install the VPNv4 routes in the VRF RIB.

## How to Configure BGP Next Hop Unchanged

The following procedures contain the steps of how to configure BGP next hop unchanged.

### Configuring the BGP Next Hop Unchanged for an eBGP Peer

#### Procedure

	Command or Action	Purpose
<b>Step 1</b>	<b>enable</b> <b>Example:</b>  Device> <b>enable</b>	Enables privileged EXEC mode.  Enter your password if prompted.
<b>Step 2</b>	<b>configure terminal</b> <b>Example:</b>  Device# <b>configure terminal</b>	Enters global configuration mode.
<b>Step 3</b>	<b>router bgp</b> <i>as-number</i> <b>Example:</b>  Device(config)# <b>router bgp</b> 65535	Enters router configuration mode, and creates a BGP routing process.
<b>Step 4</b>	<b>address-family</b> { <i>ipv4</i>   <i>ipv6</i>   <i>l2vpn</i>   <i>nsap</i>   <i>rtfilter</i>   <i>vpn4</i>   <i>vpn6</i> } <b>Example:</b>  Device(config-router-af)# <b>address-family</b> <i>vpn4</i>	Enters address family configuration mode to configure BGP peers to accept address family specific configurations.
<b>Step 5</b>	<b>neighbor</b> { <i>ip-address</i>   <i>ipv6-address</i>   <i>peer-group-name</i> } <b>remote-as</b> <i>as-number</i> <b>Example:</b>	Adds an entry to the BGP neighbor table.



	Command or Action	Purpose
	Device(config-router-af)# <b>neighbor</b> 10.0.0.100 <b>remote-as</b> 65600	
<b>Step 6</b>	<b>neighbor</b> {ip-address   ipv6-address   peer-group-name} <b>activate</b>  <b>Example:</b>  Device(config-router-af)# <b>neighbor</b> 10.0.0.100 <b>activate</b>	Enables the exchange of information with the peer.
<b>Step 7</b>	<b>neighbor</b> {ip-address   ipv6-address   peer-group-name} <b>ebgp-multihop</b> ttl  <b>Example:</b>  Device(config-router-af)# <b>neighbor</b> 10.0.0.100 <b>ebgp-multihop</b> 255	Configures the local router to accept and initiate connections to external peers that reside on networks that are not directly connected.
<b>Step 8</b>	<b>neighbor</b> {ip-address   ipv6-address   peer-group-name} <b>next-hop-unchanged</b>  <b>Example:</b>  Device(config-router-af)# <b>neighbor</b> 10.0.0.100 <b>next-hop-unchanged</b>	Configures the router to send BGP updates to the specified eBGP peer without modifying the next hop attribute.
<b>Step 9</b>	<b>end</b>  <b>Example:</b>  Device(config-router-af)# <b>end</b>	Exits address family configuration mode, and enters privileged EXEC mode.
<b>Step 10</b>	<b>show ip bgp</b>  <b>Example:</b>  Device# <b>show ip bgp</b>	(Optional) Displays entries in the BGP routing table.  The output will indicate if the <b>neighbor next-hop-unchanged</b> command has been configured for the selected address.

## Configuring BGP Next Hop Unchanged using Route-Maps

### Configuring outbound route-map for eBGP neighbor

To define the route-map and apply outbound policy for neighbor, use **set ip next-hop unchanged** command.

In the following configuration the next-hop for prefix 1.1.1.1 is not changed while sending to the eBGP neighbor 15.1.1.2:

```
enable
config terminal
router bgp 2
  bgp log-neighbor-changes
  neighbor 15.1.1.2 remote-as 3
```

```

neighbor 15.1.1.2 ebgp-multihop 10
!
address-family ipv4
neighbor 15.1.1.2 activate
neighbor 15.1.1.2 route-map A out
exit address-family
!
route-map A permit 10
match ip address 1
set ip next-hop unchanged
!
access-list 1 permit 1.1.1.1
end

```

### Configuring next-hop unchanged for both iBGP and eBGP path prefixes while sending to eBGP neighbor

To configure next-hop unchanged for both iBGP and eBGP path prefixes while sending to eBGP neighbor, use **next-hop-unchanged allpaths** command.

In the following configuration the next-hop is not changed for both iBGP and eBGP path prefixes while sending to eBGP neighbor 15.1.1.2:

```

enable
config terminal
router bgp 2
  bgp log-neighbor-changes
  neighbor 15.1.1.2 remote-as 3
  neighbor 15.1.1.2 ebgp-multihop 10
!
address-family ipv4
neighbor 15.1.1.2 activate
neighbor 15.1.1.2 next-hop-unchanged allpaths
exit address-family
!
end

```

## Example: BGP Next Hop Unchanged for an eBGP Peer

The following example configures a multihop eBGP peer at 10.0.0.100 in a remote AS. When the local router sends updates to that peer, it will send them without modifying the next hop attribute.

```

router bgp 65535
address-family ipv4
neighbor 10.0.0.100 remote-as 65600
neighbor 10.0.0.100 activate
neighbor 10.0.0.100 ebgp-multihop 255
neighbor 10.0.0.100 next-hop-unchanged
end

```




---

**Note** All address families, such as IPv4, IPv6, VPNv4, VPNv6, L2VPN, and so on support the **next-hop unchanged** command. However, for the address family L2VPN BGP VPLS signaling, you must use the **next-hop self** command for its proper functioning.

---

## Feature History for BGP Next Hop Unchanged

This table provides release and related information for the features explained in this module.

These features are available in all the releases subsequent to the one they were introduced in, unless noted otherwise.

Release	Feature	Feature Information
Cisco IOS XE Gibraltar 16.11.1	BGP Next Hop Unchanged	The BGP Next Hop Unchanged feature allows BGP to send an update to an eBGP multihop peer with the next hop attribute unchanged.
Cisco IOS XE Cupertino 17.7.1	BGP Next Hop Unchanged	Support for this feature was introduced on the C9500X-28C8D model of the Cisco Catalyst 9500 Series Switches.

Use the Cisco Feature Navigator to find information about platform and software image support. To access Cisco Feature Navigator, go to <https://cfng.cisco.com/>





## CHAPTER 34

# Configuring BGP Support for 4-byte ASN

- [Information About BGP Support for 4-byte ASN, on page 403](#)
- [How to Configure BGP Support for 4-byte ASN, on page 408](#)
- [Configuration Examples for BGP Support for 4-byte ASN, on page 414](#)
- [Additional References for BGP Support for 4-byte ASN, on page 419](#)
- [Feature History for BGP Support for 4-byte ASN, on page 419](#)

## Information About BGP Support for 4-byte ASN

Prior to January 2009, BGP autonomous system (AS) numbers that were allocated to companies were 2-octet numbers in the range from 1 to 65535 as described in RFC 4271, *A Border Gateway Protocol 4 (BGP-4)*. Due to increased demand for AS numbers, the Internet Assigned Number Authority (IANA) started to allocate four-octet AS numbers in the range from 65536 to 4294967295. RFC 5396, *Textual Representation of Autonomous System (AS) Numbers*, documents three methods of representing AS numbers. Cisco has implemented the following two methods:

- **Asplain**—Decimal value notation where both 2-byte and 4-byte AS numbers are represented by their decimal value. For example, 65526 is a 2-byte AS number and 234567 is a 4-byte AS number.
- **Asdot**—Autonomous system dot notation where 2-byte AS numbers are represented by their decimal value and 4-byte AS numbers are represented by a dot notation. For example, 65526 is a 2-byte AS number and 1.169031 is a 4-byte AS number (this is dot notation for the 234567 decimal number).

For details about the third method of representing autonomous system numbers, see RFC 5396.

### Asdot Only Autonomous System Number Formatting

The 4-octet (4-byte) AS numbers are entered and displayed only in asdot notation, for example, 1.10 or 45000.64000. When using regular expressions to match 4-byte AS numbers the asdot format includes a period, which is a special character in regular expressions. A backslash must be entered before the period (for example, 1\.14) to ensure the regular expression match does not fail. The table below shows the format in which 2-byte and 4-byte AS numbers are configured, matched in regular expressions, and displayed in **show** command output in Cisco IOS images where only asdot formatting is available.

Table 32: Asdot Only 4-Byte AS Number Format

Format	Configuration Format	Show Command Output and Regular Expression Match Format
asdot	2-byte: 1 to 65535 4-byte: 1.0 to 65535.65535	2-byte: 1 to 65535 4-byte: 1.0 to 65535.65535

### Asplain as Default AS Number Formatting

The Cisco implementation of 4-byte AS numbers uses asplain as the default display format for AS numbers, but you can configure 4-byte AS numbers in both the asplain and asdot format. In addition, the default format for matching 4-byte AS numbers in regular expressions is asplain, so you must ensure that any regular expressions to match 4-byte AS numbers are written in the asplain format. If you want to change the default **show** command output to display 4-byte autonomous system numbers in the asdot format, use the **bgp asnotation dot** command under router configuration mode. When the asdot format is enabled as the default, any regular expressions to match 4-byte AS numbers must be written using the asdot format, or the regular expression match will fail. The tables below show that although you can configure 4-byte AS numbers in either asplain or asdot format, only one format is used to display **show** command output and control 4-byte AS number matching for regular expressions, and the default is asplain format. To display 4-byte AS numbers in **show** command output and to control matching for regular expressions in the asdot format, you must configure the **bgp asnotation dot** command. After enabling the **bgp asnotation dot** command, a hard reset must be initiated for all BGP sessions by entering the **clear ip bgp \*** command.



**Note** If you are upgrading to an image that supports 4-byte AS numbers, you can still use 2-byte AS numbers. The **show** command output and regular expression match are not changed and remain in asplain (decimal value) format for 2-byte AS numbers regardless of the format configured for 4-byte AS numbers.

Table 33: Default Asplain 4-Byte AS Number Format

Format	Configuration Format	Show Command Output and Regular Expression Match Format
asplain	2-byte: 1 to 65535 4-byte: 65536 to 4294967295	2-byte: 1 to 65535 4-byte: 65536 to 4294967295
asdot	2-byte: 1 to 65535 4-byte: 1.0 to 65535.65535	2-byte: 1 to 65535 4-byte: 65536 to 4294967295

Table 34: Asdot 4-Byte AS Number Format

Format	Configuration Format	Show Command Output and Regular Expression Match Format
asplain	2-byte: 1 to 65535 4-byte: 65536 to 4294967295	2-byte: 1 to 65535 4-byte: 1.0 to 65535.65535
asdot	2-byte: 1 to 65535 4-byte: 1.0 to 65535.65535	2-byte: 1 to 65535 4-byte: 1.0 to 65535.65535

### Reserved and Private AS Numbers

The Cisco implementation of BGP supports RFC 4893. RFC 4893 was developed to allow BGP to support a gradual transition from 2-byte AS numbers to 4-byte AS numbers. A new reserved (private) AS number, 23456, was created by RFC 4893 and this number cannot be configured as an AS number in the Cisco IOS CLI.

RFC 5398, *Autonomous System (AS) Number Reservation for Documentation Use*, describes new reserved AS numbers for documentation purposes. Use of the reserved numbers allow configuration examples to be accurately documented and avoids conflict with production networks if these configurations are literally copied. The reserved numbers are documented in the IANA AS number registry. Reserved 2-byte AS numbers are in the contiguous block, 64496 to 64511 and reserved 4-byte AS numbers are from 65536 to 65551 inclusive.

Private 2-byte AS numbers are still valid in the range from 64512 to 65534 with 65535 being reserved for special use. Private AS numbers can be used for internal routing domains but must be translated for traffic that is routed out to the Internet. BGP should not be configured to advertise private AS numbers to external networks. Cisco IOS software does not remove private AS numbers from routing updates by default. We recommend that ISPs filter private AS numbers.



---

**Note** AS number assignment for public and private networks is governed by the IANA. For information about AS numbers, including reserved number assignment, or to apply to register an AS number, see the following URL: <http://www.iana.org/>.

---

## BGP Autonomous System Number Formats

Prior to January 2009, BGP autonomous system (AS) numbers that were allocated to companies were 2-octet numbers in the range from 1 to 65535 as described in RFC 4271, *A Border Gateway Protocol 4 (BGP-4)*. Due to increased demand for AS numbers, the Internet Assigned Number Authority (IANA) started to allocate four-octet AS numbers in the range from 65536 to 4294967295. RFC 5396, *Textual Representation of Autonomous System (AS) Numbers*, documents three methods of representing AS numbers. Cisco has implemented the following two methods:

- **Asplain**—Decimal value notation where both 2-byte and 4-byte AS numbers are represented by their decimal value. For example, 65526 is a 2-byte AS number and 234567 is a 4-byte AS number.
- **Asdot**—Autonomous system dot notation where 2-byte AS numbers are represented by their decimal value and 4-byte AS numbers are represented by a dot notation. For example, 65526 is a 2-byte AS number and 1.169031 is a 4-byte AS number (this is dot notation for the 234567 decimal number).

For details about the third method of representing autonomous system numbers, see RFC 5396.

### Asdot Only Autonomous System Number Formatting

The 4-octet (4-byte) AS numbers are entered and displayed only in asdot notation, for example, 1.10 or 45000.64000. When using regular expressions to match 4-byte AS numbers the asdot format includes a period, which is a special character in regular expressions. A backslash must be entered before the period (for example, 1\\.14) to ensure the regular expression match does not fail. The table below shows the format in which 2-byte and 4-byte AS numbers are configured, matched in regular expressions, and displayed in **show** command output in Cisco IOS images where only asdot formatting is available.

Table 35: Asdot Only 4-Byte AS Number Format

Format	Configuration Format	Show Command Output and Regular Expression Match Format
asdot	2-byte: 1 to 65535 4-byte: 1.0 to 65535.65535	2-byte: 1 to 65535 4-byte: 1.0 to 65535.65535

### Asplain as Default AS Number Formatting

The Cisco implementation of 4-byte AS numbers uses asplain as the default display format for AS numbers, but you can configure 4-byte AS numbers in both the asplain and asdot format. In addition, the default format for matching 4-byte AS numbers in regular expressions is asplain, so you must ensure that any regular expressions to match 4-byte AS numbers are written in the asplain format. If you want to change the default **show** command output to display 4-byte autonomous system numbers in the asdot format, use the **bgp asnotation dot** command under router configuration mode. When the asdot format is enabled as the default, any regular expressions to match 4-byte AS numbers must be written using the asdot format, or the regular expression match will fail. The tables below show that although you can configure 4-byte AS numbers in either asplain or asdot format, only one format is used to display **show** command output and control 4-byte AS number matching for regular expressions, and the default is asplain format. To display 4-byte AS numbers in **show** command output and to control matching for regular expressions in the asdot format, you must configure the **bgp asnotation dot** command. After enabling the **bgp asnotation dot** command, a hard reset must be initiated for all BGP sessions by entering the **clear ip bgp \*** command.



**Note** If you are upgrading to an image that supports 4-byte AS numbers, you can still use 2-byte AS numbers. The **show** command output and regular expression match are not changed and remain in asplain (decimal value) format for 2-byte AS numbers regardless of the format configured for 4-byte AS numbers.

Table 36: Default Asplain 4-Byte AS Number Format

Format	Configuration Format	Show Command Output and Regular Expression Match Format
asplain	2-byte: 1 to 65535 4-byte: 65536 to 4294967295	2-byte: 1 to 65535 4-byte: 65536 to 4294967295
asdot	2-byte: 1 to 65535 4-byte: 1.0 to 65535.65535	2-byte: 1 to 65535 4-byte: 65536 to 4294967295

Table 37: Asdot 4-Byte AS Number Format

Format	Configuration Format	Show Command Output and Regular Expression Match Format
asplain	2-byte: 1 to 65535 4-byte: 65536 to 4294967295	2-byte: 1 to 65535 4-byte: 1.0 to 65535.65535
asdot	2-byte: 1 to 65535 4-byte: 1.0 to 65535.65535	2-byte: 1 to 65535 4-byte: 1.0 to 65535.65535



### Reserved and Private AS Numbers

The Cisco implementation of BGP supports RFC 4893. RFC 4893 was developed to allow BGP to support a gradual transition from 2-byte AS numbers to 4-byte AS numbers. A new reserved (private) AS number, 23456, was created by RFC 4893 and this number cannot be configured as an AS number in the Cisco IOS CLI.

RFC 5398, *Autonomous System (AS) Number Reservation for Documentation Use*, describes new reserved AS numbers for documentation purposes. Use of the reserved numbers allow configuration examples to be accurately documented and avoids conflict with production networks if these configurations are literally copied. The reserved numbers are documented in the IANA AS number registry. Reserved 2-byte AS numbers are in the contiguous block, 64496 to 64511 and reserved 4-byte AS numbers are from 65536 to 65551 inclusive.

Private 2-byte AS numbers are still valid in the range from 64512 to 65534 with 65535 being reserved for special use. Private AS numbers can be used for internal routing domains but must be translated for traffic that is routed out to the Internet. BGP should not be configured to advertise private AS numbers to external networks. Cisco IOS software does not remove private AS numbers from routing updates by default. We recommend that ISPs filter private AS numbers.



---

**Note** AS number assignment for public and private networks is governed by the IANA. For information about AS numbers, including reserved number assignment, or to apply to register an AS number, see the following URL: <http://www.iana.org/>.

---

## Cisco Implementation of 4-Byte Autonomous System Numbers

The Cisco implementation of 4-byte autonomous system (AS) numbers uses `asplain`—65538, for example—as the default regular expression match and output display format for AS numbers, but you can configure 4-byte AS numbers in both the `asplain` format and the `asdot` format as described in RFC 5396. To change the default regular expression match and output display of 4-byte AS numbers to `asdot` format, use the **`bgp asnotation dot`** command followed by the **`clear ip bgp *`** command to perform a hard reset of all current BGP sessions. For more details about 4-byte AS number formats, see the “BGP Autonomous System Number Formats” section.

The Cisco implementation of 4-byte AS numbers uses `asdot`—1.2, for example—as the only configuration format, regular expression match, and output display, with no `asplain` support. For an example of BGP peers in two autonomous systems using 4-byte numbers, see the figure below. To view a configuration example of the configuration between three neighbor peers in separate 4-byte autonomous systems configured using `asdot` notation, see the “Example: Configuring a BGP Routing Process and Peers Using 4-Byte Autonomous System Numbers” section.

Cisco also supports RFC 4893, which was developed to allow BGP to support a gradual transition from 2-byte AS numbers to 4-byte AS numbers. To ensure a smooth transition, we recommend that all BGP speakers within an AS that is identified using a 4-byte AS number be upgraded to support 4-byte AS numbers.

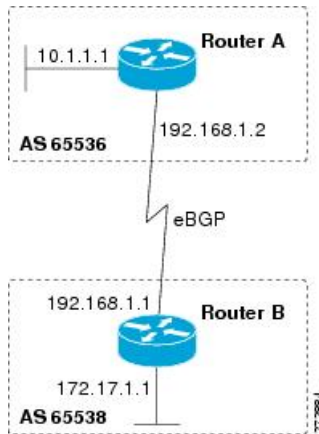


---

**Note** A new private AS number, 23456, was created by RFC 4893, and this number cannot be configured as an AS number in the Cisco IOS CLI.

---

Figure 15: BGP Peers in Two Autonomous Systems Using 4-Byte Numbers



## How to Configure BGP Support for 4-byte ASN

The following sections provide configurational information about BGP support for 4-byte ASN.

### Configuring a BGP Routing Process and Peers Using 4-Byte Autonomous System Numbers

Perform this task to configure a Border Gateway Protocol (BGP) routing process and BGP peers when the BGP peers are located in an autonomous system (AS) that uses 4-byte AS numbers. The address family configured here is the default IPv4 unicast address family, and the configuration is done at Router B in the figure above (in the “Cisco Implementation of 4-Byte Autonomous System Numbers” section). The 4-byte AS numbers in this task are formatted in the default asplain (decimal value) format; for example, Router B is in AS number 65538 in the figure above. Remember to perform this task for any neighbor routers that are to be BGP peers.

#### Before you begin



**Note** By default, neighbors that are defined using the **neighbor remote-as** command in router configuration mode exchange only IPv4 unicast address prefixes. To exchange other address prefix types, such as IPv6 prefixes, neighbors must also be activated using the **neighbor activate** command in address family configuration mode for the other prefix types.

#### Procedure

	Command or Action	Purpose
<b>Step 1</b>	<b>enable</b> <b>Example:</b>	Enables privileged EXEC mode. • Enter your password if prompted.

	Command or Action	Purpose
	Device> <b>enable</b>	
<b>Step 2</b>	<b>configure terminal</b> <b>Example:</b> Device# <b>configure terminal</b>	Enters global configuration mode.
<b>Step 3</b>	<b>router bgp</b> <i>autonomous-system-number</i> <b>Example:</b> Device(config)# <b>router bgp 65538</b>	Enters router configuration mode for the specified routing process.  <ul style="list-style-type: none"> <li>In this example, the 4-byte AS number, 65538, is defined in asplain notation.</li> </ul>
<b>Step 4</b>	<b>neighbor</b> <i>ip-address</i> <b>remote-as</b> <i>autonomous-system-number</i> <b>Example:</b> Device(config-router)# <b>neighbor 192.168.1.2 remote-as 65536</b>	Adds the IP address of the neighbor in the specified AS to the IPv4 multiprotocol BGP neighbor table of the local device.  <ul style="list-style-type: none"> <li>In this example, the 4-byte AS number, 65536, is defined in asplain notation.</li> </ul>
<b>Step 5</b>	Repeat Step 4 to define other BGP neighbors, as required.	--
<b>Step 6</b>	<b>address-family ipv4</b> [ <b>unicast</b>   <b>multicast</b>   <b>vrf</b> <i>vrf-name</i> ] <b>Example:</b> Device(config-router)# <b>address-family ipv4 unicast</b>	Specifies the IPv4 address family and enters address family configuration mode.  <ul style="list-style-type: none"> <li>The <b>unicast</b> keyword specifies the IPv4 unicast address family. By default, the device is placed in configuration mode for the IPv4 unicast address family if the <b>unicast</b> keyword is not specified with the <b>address-family ipv4</b> command.</li> <li>The <b>multicast</b> keyword specifies IPv4 multicast address prefixes.</li> <li>The <b>vrf</b> keyword and <i>vrf-name</i> argument specify the name of the virtual routing and forwarding (VRF) instance to associate with subsequent IPv4 address family configuration mode commands.</li> </ul>
<b>Step 7</b>	<b>neighbor</b> <i>ip-address</i> <b>activate</b> <b>Example:</b> Device(config-router-af)# <b>neighbor 192.168.1.2 activate</b>	Enables the neighbor to exchange prefixes for the IPv4 unicast address family with the local device.
<b>Step 8</b>	Repeat Step 7 to activate other BGP neighbors, as required.	--

	Command or Action	Purpose
<b>Step 9</b>	<b>network</b> <i>network-number</i> [ <b>mask</b> <i>network-mask</i> ] [ <b>route-map</b> <i>route-map-name</i> ] <b>Example:</b> <pre>Device(config-router-af)# network 172.17.1.0 mask 255.255.255.0</pre>	(Optional) Specifies a network as local to this AS and adds it to the BGP routing table. <ul style="list-style-type: none"> <li>For exterior protocols the <b>network</b> command controls which networks are advertised. Interior protocols use the <b>network</b> command to determine where to send updates.</li> </ul>
<b>Step 10</b>	<b>end</b> <b>Example:</b> <pre>Device(config-router-af)# end</pre>	Exits address family configuration mode and returns to privileged EXEC mode.
<b>Step 11</b>	<b>show ip bgp</b> [ <i>network</i> ] [ <i>network-mask</i> ] <b>Example:</b> <pre>Device# show ip bgp 10.1.1.0</pre>	(Optional) Displays the entries in the BGP routing table. <p><b>Note</b> Only the syntax applicable to this task is used in this example. For more details, see the <i>Cisco IOS IP Routing: BGP Command Reference</i>.</p>
<b>Step 12</b>	<b>show ip bgp summary</b> <b>Example:</b> <pre>Device# show ip bgp summary</pre>	(Optional) Displays the status of all BGP connections.

The following output from the **show ip bgp** command at Router B shows the BGP routing table entry for network 10.1.1.0 learned from the BGP neighbor at 192.168.1.2 in Router A in the figure above with its 4-byte AS number of 65536 displayed in the default asplain format.

```
RouterB# show ip bgp 10.1.1.0

BGP routing table entry for 10.1.1.0/24, version 2
Paths: (1 available, best #1)
Advertised to update-groups:
2
65536
192.168.1.2 from 192.168.1.2 (10.1.1.99)
Origin IGP, metric 0, localpref 100, valid, external, best
```

The following output from the **show ip bgp summary** command shows the 4-byte AS number 65536 for the BGP neighbor 192.168.1.2 of Router A in the figure above after this task has been configured on Router B:

```
RouterB# show ip bgp summary

BGP router identifier 172.17.1.99, local AS number 65538
BGP table version is 3, main routing table version 3
```

```

2 network entries using 234 bytes of memory
2 path entries using 104 bytes of memory
3/2 BGP path/bestpath attribute entries using 444 bytes of memory
1 BGP AS-PATH entries using 24 bytes of memory
0 BGP route-map cache entries using 0 bytes of memory
0 BGP filter-list cache entries using 0 bytes of memory
BGP using 806 total bytes of memory
BGP activity 2/0 prefixes, 2/0 paths, scan interval 60 secs
Neighbor      V          AS MsgRcvd MsgSent  TblVer  InQ  OutQ  Up/Down  Stated
192.168.1.2   4          65536      6      6        3    0    0 00:01:33    1

```

## Modifying the Default Output and Regular Expression Match Format for 4-Byte Autonomous System Numbers

Perform this task to modify the default output format for 4-byte autonomous system (AS) numbers from asplain format to asdot notation format. The **show ip bgp summary** command is used to display the changes in output format for the 4-byte AS numbers.

### Procedure

	Command or Action	Purpose
<b>Step 1</b>	<b>enable</b> <b>Example:</b> Device> <b>enable</b>	Enables privileged EXEC mode. <ul style="list-style-type: none"> <li>• Enter your password if prompted.</li> </ul>
<b>Step 2</b>	<b>show ip bgp summary</b> <b>Example:</b> Device# <b>show ip bgp summary</b>	Displays the status of all Border Gateway Protocol (BGP) connections.
<b>Step 3</b>	<b>configure terminal</b> <b>Example:</b> Device# <b>configure terminal</b>	Enters global configuration mode.
<b>Step 4</b>	<b>router bgp</b> <i>autonomous-system-number</i> <b>Example:</b> Device(config)# <b>router bgp 65538</b>	Enters router configuration mode for the specified routing process. <ul style="list-style-type: none"> <li>• In this example, the 4-byte AS number, 65538, is defined in asplain notation.</li> </ul>
<b>Step 5</b>	<b>bgp asnotation dot</b> <b>Example:</b> Device(config-router)# <b>bgp asnotation dot</b>	Changes the default output format of BGP 4-byte AS numbers from asplain (decimal values) to dot notation.

	Command or Action	Purpose
		<p><b>Note</b> 4-byte AS numbers can be configured using either asplain format or asdot format. This command affects only the output displayed for <b>show</b> commands or the matching of regular expressions.</p>
<b>Step 6</b>	<p><b>end</b></p> <p><b>Example:</b></p> <pre>Device(config-router)# end</pre>	Exits address family configuration mode and returns to privileged EXEC mode.
<b>Step 7</b>	<p><b>clear ip bgp *</b></p> <p><b>Example:</b></p> <pre>Device# clear ip bgp *</pre>	<p>Clears and resets all current BGP sessions.</p> <ul style="list-style-type: none"> <li>In this example, a hard reset is performed to ensure that the 4-byte AS number format change is reflected in all BGP sessions.</li> </ul> <p><b>Note</b> Only the syntax applicable to this task is used in this example. For more details, see the <i>Cisco IOS IP Routing: BGP Command Reference</i>.</p>
<b>Step 8</b>	<p><b>show ip bgp summary</b></p> <p><b>Example:</b></p> <pre>Device# show ip bgp summary</pre>	Displays the status of all BGP connections.
<b>Step 9</b>	<p><b>show ip bgp regexp <i>regexp</i></b></p> <p><b>Example:</b></p> <pre>Device# show ip bgp regexp ^1\.0\$</pre>	<p>Displays routes that match the AS path regular expression.</p> <ul style="list-style-type: none"> <li>In this example, a regular expression to match a 4-byte AS path is configured using asdot format.</li> </ul>
<b>Step 10</b>	<p><b>configure terminal</b></p> <p><b>Example:</b></p> <pre>Device# configure terminal</pre>	Enters global configuration mode.
<b>Step 11</b>	<p><b>router bgp <i>autonomous-system-number</i></b></p> <p><b>Example:</b></p> <pre>Device(config)# router bgp 65538</pre>	<p>Enters router configuration mode for the specified routing process.</p> <ul style="list-style-type: none"> <li>In this example, the 4-byte AS number, 65538, is defined in asplain notation.</li> </ul>

	Command or Action	Purpose
<b>Step 12</b>	<b>no bgp asnotation dot</b> <b>Example:</b> <pre>Device(config-router)# no bgp asnotation dot</pre>	Resets the default output format of BGP 4-byte AS numbers back to asplain (decimal values).  <b>Note</b> 4-byte AS numbers can be configured using either asplain format or asdot format. This command affects only the output displayed for <b>show</b> commands or the matching of regular expressions.
<b>Step 13</b>	<b>end</b> <b>Example:</b> <pre>Device(config-router)# end</pre>	Exits router configuration mode and returns to privileged EXEC mode.
<b>Step 14</b>	<b>clear ip bgp *</b> <b>Example:</b> <pre>Device# clear ip bgp *</pre>	Clears and resets all current BGP sessions.  <ul style="list-style-type: none"> <li>In this example, a hard reset is performed to ensure that the 4-byte AS number format change is reflected in all BGP sessions.</li> </ul> <b>Note</b> Only the syntax applicable to this task is used in this example. For more details, see the <i>Cisco IOS IP Routing: BGP Command Reference</i> .

## Examples

The following output from the **show ip bgp summary** command shows the default asplain format of the 4-byte AS numbers. Note the asplain format of the 4-byte AS numbers, 65536 and 65550.

```
Router# show ip bgp summary
```

```
BGP router identifier 172.17.1.99, local AS number 65538
BGP table version is 1, main routing table version 1
Neighbor      V      AS MsgRcvd MsgSent  TblVer  InQ  OutQ  Up/Down  Statd
192.168.1.2   4      65536     7      7        1    0    0 00:03:04    0
192.168.3.2   4      65550     4      4        1    0    0 00:00:15    0
```

After the **bgp asnotation dot** command is configured (followed by the **clear ip bgp \*** command to perform a hard reset of all current BGP sessions), the output is converted to asdot notation format as shown in the following output from the **show ip bgp summary** command. Note the asdot format of the 4-byte AS numbers, 1.0 and 1.14 (these are the asdot conversions of the 65536 and 65550 AS numbers).

```
Router# show ip bgp summary
```

```

BGP router identifier 172.17.1.99, local AS number 1.2
BGP table version is 1, main routing table version 1
Neighbor      V      AS MsgRcvd MsgSent  TblVer  InQ  OutQ Up/Down  Statd
192.168.1.2   4        1.0      9      9        1    0    0 00:04:13    0
192.168.3.2   4        1.14     6      6        1    0    0 00:01:24    0

```

After the **bgp asnotation dot** command is configured (followed by the **clear ip bgp \*** command to perform a hard reset of all current BGP sessions), the regular expression match format for 4-byte AS paths is changed to asdot notation format. Although a 4-byte AS number can be configured in a regular expression using either asplain format or asdot format, only 4-byte AS numbers configured using the current default format are matched. In the first example below, the **show ip bgp regexp** command is configured with a 4-byte AS number in asplain format. The match fails because the default format is currently asdot format and there is no output. In the second example using asdot format, the match passes and the information about the 4-byte AS path is shown using the asdot notation.



**Note** The asdot notation uses a period, which is a special character in Cisco regular expressions. To remove the special meaning, use a backslash before the period.

```

Router# show ip bgp regexp ^65536$

Router# show ip bgp regexp ^1\.0$

BGP table version is 2, local router ID is 172.17.1.99
Status codes: s suppressed, d damped, h history, * valid, > best, i - internal,
               r RIB-failure, S Stale
Origin codes: i - IGP, e - EGP, ? - incomplete
   Network        Next Hop           Metric LocPrf Weight Path
*> 10.1.1.0/24    192.168.1.2         0             0 1.0 i

```

## Configuration Examples for BGP Support for 4-byte ASN

The following sections provide configuration examples for BGP support for 4-byte ASN.

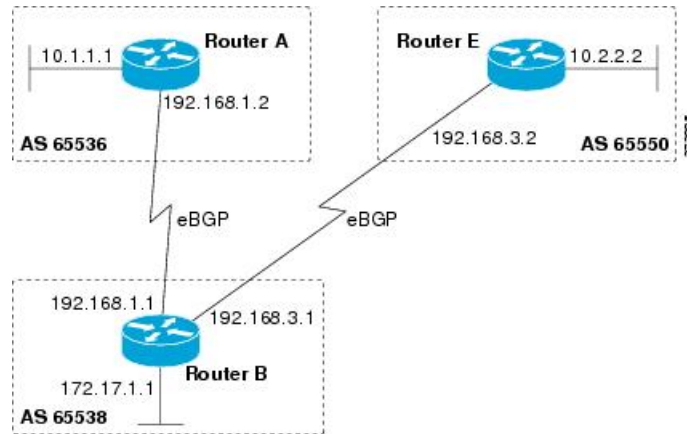
### Examples: Configuring a BGP Routing Process and Peers Using 4-Byte Autonomous System Numbers

#### Asplain Format

The following example shows the configuration for Router A, Router B, and Router E in the figure below with a Border Gateway Protocol (BGP) process configured between three neighbor peers (at Router A, at Router B, and at Router E) in separate 4-byte autonomous systems configured using asplain notation. IPv4 unicast routes are exchanged with all peers.



Figure 16: BGP Peers Using 4-Byte Autonomous System Numbers in Asplain Format



### Router A

```

router bgp 65536
  bgp router-id 10.1.1.99
  no bgp default ipv4-unicast
  bgp fast-external-fallover
  bgp log-neighbor-changes
  timers bgp 70 120
  neighbor 192.168.1.1 remote-as 65538
  !
  address-family ipv4
  neighbor 192.168.1.1 activate
  no auto-summary
  no synchronization
  network 10.1.1.0 mask 255.255.255.0
  exit-address-family

```

### Router B

```

router bgp 65538
  bgp router-id 172.17.1.99
  no bgp default ipv4-unicast
  bgp fast-external-fallover
  bgp log-neighbor-changes
  timers bgp 70 120
  neighbor 192.168.1.2 remote-as 65536
  neighbor 192.168.3.2 remote-as 65550
  neighbor 192.168.3.2 description finance
  !
  address-family ipv4
  neighbor 192.168.1.2 activate
  neighbor 192.168.3.2 activate
  no auto-summary
  no synchronization
  network 172.17.1.0 mask 255.255.255.0
  exit-address-family

```

### Router E

```

router bgp 65550

```

```

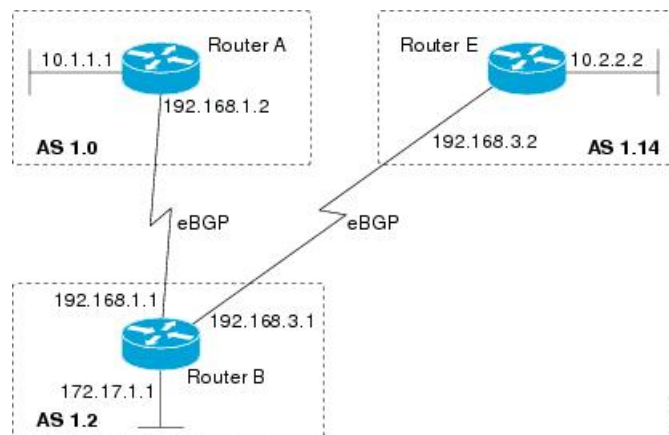
bgp router-id 10.2.2.99
no bgp default ipv4-unicast
bgp fast-external-fallover
bgp log-neighbor-changes
timers bgp 70 120
neighbor 192.168.3.1 remote-as 65538
!
address-family ipv4
neighbor 192.168.3.1 activate
no auto-summary
no synchronization
network 10.2.2.0 mask 255.255.255.0
exit-address-family

```

### Asdot Format

The following example shows how to create the configuration for Router A, Router B, and Router E in the figure below with a BGP process configured between three neighbor peers (at Router A, at Router B, and at Router E) in separate 4-byte autonomous systems configured using the default asdot format. IPv4 unicast routes are exchanged with all peers.

**Figure 17: BGP Peers Using 4-Byte Autonomous System Numbers in Asdot Format**



### Router A

```

router bgp 1.0
bgp router-id 10.1.1.99
no bgp default ipv4-unicast
bgp fast-external-fallover
bgp log-neighbor-changes
timers bgp 70 120
neighbor 192.168.1.1 remote-as 1.2
!
address-family ipv4
neighbor 192.168.1.1 activate
no auto-summary
no synchronization
network 10.1.1.0 mask 255.255.255.0
exit-address-family

```

### Router B

```
router bgp 1.2
  bgp router-id 172.17.1.99
  no bgp default ipv4-unicast
  bgp fast-external-fallover
  bgp log-neighbor-changes
  timers bgp 70 120
  neighbor 192.168.1.2 remote-as 1.0
  neighbor 192.168.3.2 remote-as 1.14
  neighbor 192.168.3.2 description finance
  !
  address-family ipv4
  neighbor 192.168.1.2 activate
  neighbor 192.168.3.2 activate
  no auto-summary
  no synchronization
  network 172.17.1.0 mask 255.255.255.0
  exit-address-family
```

### Router E

```
router bgp 1.14
  bgp router-id 10.2.2.99
  no bgp default ipv4-unicast
  bgp fast-external-fallover
  bgp log-neighbor-changes
  timers bgp 70 120
  neighbor 192.168.3.1 remote-as 1.2
  !
  address-family ipv4
  neighbor 192.168.3.1 activate
  no auto-summary
  no synchronization
  network 10.2.2.0 mask 255.255.255.0
  exit-address-family
```

## Examples: Configuring a VRF and Setting an Extended Community Using a BGP 4-Byte Autonomous System Number

The following example shows how to create a VRF with a route target that uses a 4-byte autonomous system number, 65537, and how to set the route target to extended community value 65537:100 for routes that are permitted by the route map:

```
ip vrf vpn_red
  rd 64500:100
  route-target both 65537:100
  exit
  route-map red_map permit 10
  set extcommunity rt 65537:100
  end
```

After the configuration is completed, use the **show route-map** command to verify that the extended community is set to the route target that contains the 4-byte autonomous system number of 65537:

```
RouterB# show route-map red_map
route-map red_map, permit, sequence 10
```

```
Match clauses:
Set clauses:
extended community RT:65537:100
Policy routing matches: 0 packets, 0 bytes
```

#### 4-Byte Autonomous System Number RD Support

The following example shows how to create a VRF with a route distinguisher that contains a 4-byte AS number 65536, and a route target that contains a 4-byte autonomous system number, 65537:

```
ip vrf vpn_red
rd 65536:100
route-target both 65537:100
exit
```

After the configuration is completed, use the **show vrf** command to verify that the 4-byte AS number route distinguisher is set to 65536:100:

```
RouterB# show vrf vpn_red
Current configuration : 36 bytes
vrf definition x
rd 65536:100
!
```

#### Asdot Default Format in Cisco IOS Release 12.0(32)S12, and 12.4(24)T

The following example shows how to create a VRF with a route target that uses a 4-byte autonomous system number, 1.1, and how to set the route target to the extended community value 1.1:100 for routes that are permitted by the route map.




---

**Note** This example works if you have configured asdot as the default display format using the **bgp asnotation dot** command.

---

```
ip vrf vpn_red
rd 64500:100
route-target both 1.1:100
exit
route-map red_map permit 10
set extcommunity rt 1.1:100
end
```

After the configuration is completed, use the **show route-map** command to verify that the extended community is set to the route target that contains the 4-byte autonomous system number of 1.1.

```
RouterB# show route-map red_map
route-map red_map, permit, sequence 10
Match clauses:
Set clauses:
extended community RT:1.1:100
Policy routing matches: 0 packets, 0 bytes
```

#### Asdot Default Format for 4-Byte Autonomous System Number RD Support

The following example works if you have configured asdot as the default display format using the **bgp asnotation dot** command:

```
ip vrf vpn_red
rd 1.0:100
route-target both 1.1:100
exit
```

## Additional References for BGP Support for 4-byte ASN

### Related Documents

Related Topic	Document Title
BGP commands	<i>Cisco IOS IP Routing: BGP Command Reference</i>

### Standards and RFCs

Standard/RFC	Title
RFC 4893	<i>BGP Support for Four-octet AS Number Space</i>
RFC 5396	<i>Textual Representation of Autonomous System (AS) Numbers</i>
RFC 5398	<i>Autonomous System (AS) Number Reservation for Documentation Use</i>
RFC 5668	<i>4-Octet AS Specific BGP Extended Community</i>

## Feature History for BGP Support for 4-byte ASN

This table provides release and related information for the features explained in this module.

These features are available in all the releases subsequent to the one they were introduced in, unless noted otherwise.

Release	Feature	Feature Information
Cisco IOS XE Fuji 16.8.1a	BGP Support for 4-byte ASN	<p>The Cisco implementation of 4-byte autonomous system (AS) numbers uses asplain—65538, for example—as the default regular expression match and output display format for AS numbers, but you can configure 4-byte AS numbers in both the asplain format and the asdot format as described in RFC 5396.</p> <p>Support for this feature was introduced only on the C9500-32C, C9500-32QC, C9500-48Y4C, and C9500-24Y4C models of the Cisco Catalyst 9500 Series Switches.</p>
Cisco IOS XE Gibraltar 16.11.1	BGP Support for 4-byte ASN	<p>The Cisco implementation of 4-byte autonomous system (AS) numbers uses asplain—65538, for example—as the default regular expression match and output display format for AS numbers, but you can configure 4-byte AS numbers in both the asplain format and the asdot format as described in RFC 5396.</p> <p>Support for this feature was introduced on the C9500-12Q, C9500-16X, C9500-24Q, C9500-40X models of the Cisco Catalyst 9500 Series Switches.</p>
Cisco IOS XE Cupertino 17.7.1	BGP Support for 4-byte ASN	<p>Support for this feature was introduced on the C9500X-28C8D model of the Cisco Catalyst 9500 Series Switches.</p>

Use the Cisco Feature Navigator to find information about platform and software image support. To access Cisco Feature Navigator, go to <https://cfnng.cisco.com/>



## CHAPTER 35

# Configuring IS-IS Routing

- [Information About IS-IS Routing, on page 421](#)
- [How to Configure IS-IS, on page 425](#)
- [How to Configure IS-IS Authentication, on page 433](#)
- [Monitoring and Maintaining IS-IS, on page 437](#)
- [Feature History for IS-IS, on page 438](#)

## Information About IS-IS Routing

Integrated Intermediate System-to-Intermediate System (IS-IS) is an ISO dynamic routing protocol (described in ISO 105890). To enable IS-IS you should create an IS-IS routing process and assign it to a specific interface, rather than to a network. You can specify more than one IS-IS routing process per Layer 3 device by using the multiarea IS-IS configuration syntax. You should then configure the parameters for each instance of the IS-IS routing process.

Small IS-IS networks are built as a single area that includes all the devices in the network. As the network grows larger, the network reorganizes itself into a backbone area made up of all the connected set of Level 2 devices still connected to their local areas. Within a local area, devices know how to reach all system IDs. Between areas, devices know how to reach the backbone, and the backbone devices know how to reach other areas.

Devices establish Level 1 adjacencies to perform routing within a local area (station routing). Devices establish Level 2 adjacencies to perform routing between Level 1 areas (area routing).

A single Cisco device can participate in routing in up to 29 areas and can perform Level 2 routing in the backbone. In general, each routing process corresponds to an area. By default, the first instance of the routing process that is configured performs both Level 1 and Level 2 routing. You can configure additional device instances, which are automatically treated as Level 1 areas. You must configure the parameters for each instance of the IS-IS routing process individually.

For IS-IS multiarea routing, you can configure only one process to perform Level 2 routing, although you can define up to 29 Level 1 areas for each Cisco unit. If Level 2 routing is configured on any process, all additional processes are automatically configured as Level 1. You can configure this process to perform Level 1 routing at the same time. If Level 2 routing is not desired for a device instance, remove the Level 2 capability using the **is-type** command in global configuration mode. Use the **is-type** command also to configure a different device instance as a Level 2 device.

## IS-IS for IPv6

The switch supports Integrated Intermediate System-to-Intermediate System (IS-IS) for IPv6, an Open Systems Interconnection (OSI) hierarchical routing protocol. For more information, see *Cisco IOS IPv6 Configuration Library* on Cisco.com.

## IS-IS Authentication

To prevent unauthorized devices from injecting false routing information into the link-state database, you can either set a plain text password for each interface and an area password for each IS-IS area, or you can configure an IS-IS authentication.

Plain text passwords do not provide security against unauthorized users. You can configure a plain text password to prevent unauthorized networking devices from forming adjacencies with the router. The password is exchanged as plain text and is visible to agents having access to view the IS-IS packets.

The new style of IS-IS authentication provides the following advantages over the plain text password configuration commands:

- Passwords are encrypted when the software configuration is displayed.
- Passwords are easier to manage and change.
- Passwords can be changed to new passwords without disrupting network operations.
- Authentication transitions which are nondisruptive.

Authentication modes (IS-IS authentication or plain text password) can either be configured on a given scope (IS-IS instance or interface) or level, but not both. However, different modes can be configured for different scopes or levels. In case mixed modes are configured, different keys must be used for different modes to ensure that the encrypted passwords in the protocol data units (PDUs) are not compromised.

## Clear Text Authentication

IS-IS clear text authentication provides the same functionality provided by the **area-password** or **domain-password** command.

## HMAC-MD5 Authentication

IS-IS supports message digest algorithm 5 (MD5) authentication, which is more secure than clear text authentication.

Hashed Message Authentication Code (HMAC) is a mechanism for message authentication codes (MACs) using cryptographic hash functions. HMAC-MD5 authentication adds an HMAC-MD5 digest to each IS-IS PDU. The digest allows authentication at the IS-IS routing protocol level, which prevents unauthorized routing messages from being injected into the network routing domain.

The following are the benefits of HMAC-MD5 authentication:

- Passwords can be changed to new passwords without disrupting routing messages.
- Authentication transitions which are nondisruptive. The device accepts PDUs with either no authentication information or stale authentication information and sends PDUs with current authentication information. These transitions are useful when migrating from no authentication to some type of authentication, when changing the authentication type, and when changing the authentication keys.



## HMAC-SHA Authentication

IS-IS supports Secure Hash Algorithm (SHA) authentication, that is, SHA-1, SHA-256, SHA-384, and SHA-512, which is more secure than MD5 authentication or clear text authentication.

When you enable the HMAC-SHA authentication method, a shared secret key is configured on all the devices that are connected on a common network. For each packet, this key is used to generate and verify a message digest that gets added to the packet. The message digest is a one-way function of the packet and the secret key.

## Hitless Upgrade

Before you migrate from using one type of security authentication to another, you must do the following:

1. All the devices must be loaded with the new image that supports the new authentication type. The devices will continue to use the original authentication method until all the devices have been loaded with the new image that supports the new authentication method, and all the devices have been configured to use the new authentication method.
2. Add a key chain with both the current key and a new key. For example when migrating from HMAC-MD5 to HMAC-SHA1-20, the current key is HMAC-MD5, and the new key is HMAC-SHA1-20. Ensure that the current key has a later end date for the send-lifetime field than the new key so that IS-IS continues to send the current key. Set the accept-lifetime value of both the keys to infinite so that IS-IS accepts both the keys.
3. After step 2 is completed, for all the devices in a link or area the current key can be removed from the key chain.

## Nonstop Forwarding Awareness

The integrated IS-IS Nonstop Forwarding (NSF) Awareness feature is supported for IPv4G. The feature allows customer premises equipment (CPE) devices that are NSF-aware to help NSF-capable devices perform nonstop forwarding of packets. The local device is not necessarily performing NSF, but its NSF awareness capability allows the integrity and accuracy of the routing database and the link-state database on the neighboring NSF-capable device to be maintained during the switchover process.

The integrated IS-IS Nonstop Forwarding (NSF) Awareness feature is automatically enabled and requires no configuration.

## IS-IS Global Parameters

The following are the optional IS-IS global parameters that you can configure:

- You can force a default route into an IS-IS routing domain by configuring a default route that is controlled by a route map. You can also specify the other filtering options that are configurable under a route map.
- You can configure the device to ignore IS-IS link-state packets (LSPs) that are received with internal checksum errors, or to purge corrupted LSPs, and cause the initiator of the LSP to regenerate it.
- You can assign passwords to areas and domains.
- You can create aggregate addresses that are represented in the routing table by a summary address (based on route summarization). Routes learned from other routing protocols can also be summarized. The metric used to advertise the summary is the smallest metric of all the specific routes.

- You can set an overload bit.
- You can configure the LSP refresh interval and the maximum time that an LSP can remain in the device database without a refresh.
- You can set the throttling timers for LSP generation, shortest path first computation, and partial route computation.
- You can configure the device to generate a log message when an IS-IS adjacency changes state (Up or Down).
- If a link in the network has a maximum transmission unit (MTU) size of less than 1500 bytes, you can lower the LSP MTU so that routing still occurs.
- You can use the **partition avoidance** command to prevent an area from becoming partitioned when full connectivity is lost among a Level 1-2 border device, adjacent Level 1 devices, and end hosts.

## IS-IS Interface Parameters

You can optionally configure certain interface-specific IS-IS parameters independently from other attached devices. However, if you change default value, such as multipliers and time intervals, it makes sense to also change them on multiple devices and interfaces. Most of the interface parameters can be configured for level 1, level 2, or both.

The following are the interface-level parameters that you can configure:

- The default metric on the interface that is used as a value for the IS-IS metric and assigned when quality of service (QoS) routing is not performed.
- The hello interval (length of time between hello packets sent on the interface) or the default hello packet multiplier used on the interface to determine the hold time sent in IS-IS hello packets. The hold time determines how long a neighbor waits for another hello packet before declaring the neighbor down. This determines how quickly a failed link or neighbor is detected so that routes can be recalculated. Change the hello multiplier in circumstances where hello packets are lost frequently and IS-IS adjacencies are failing unnecessarily. You can raise the hello multiplier and lower the hello interval correspondingly to make the hello protocol more reliable, without increasing the time required to detect a link failure.
- Other time intervals:
  - Complete sequence number PDU (CSNP) interval—CSNPs are sent by the designated device to maintain database synchronization.
  - Retransmission interval—This is the time between retransmission of IS-IS LSPs for point-to-point links.
  - IS-IS LSP retransmission throttle interval—This is the maximum rate (number of milliseconds between packets) at which IS-IS LSPs are resent on point-to-point links. This interval is different from the retransmission interval, which is the time between successive retransmissions of the same LSP.
- Designated device-election priority, which allows you to reduce the number of adjacencies required on a multiaccess network, which in turn reduces the amount of routing protocol traffic and the size of the topology database.
- The interface circuit type, which is the type of adjacency required for neighbors on the specified interface.

- Password authentication for the interface.

## How to Configure IS-IS

The following sections provide information on how to enable IS-IS on an interface, how to configure IS-IS global parameters, and how to configure IS-IS interface parameters.

### Default IS-IS Configuration

*Table 38: Default IS-IS Configuration*

Feature	Default Setting
Ignore link-state PDU (LSP) errors	Enabled.
IS-IS type	Conventional IS-IS—The router acts as both a Level 1 (station) and a router. Multiarea IS-IS—The first instance of the IS-IS routing process is a router. Remaining instances are Level 1 routers.
Default-information originate	Disabled.
Log IS-IS adjacency state changes.	Disabled.
LSP generation throttling timers	Maximum interval between two consecutive occurrences—5000 milliseconds. Initial LSP generation delay—50 milliseconds. Hold time between the first and second LSP generation—200 milliseconds.
LSP maximum lifetime (without a refresh)	1200 seconds (20 minutes) before the LSP packet is deleted.
LSP refresh interval	Every 900 seconds (15 minutes).
Maximum LSP packet size	1497 bytes.
NSF Awareness	Enabled. Allows Layer 3 devices to continue forwarding packets from a Nonstop Forwarding-capable router during hardware or software changes.
Partial route computation (PRC) throttling timers	Maximum PRC wait interval—5000 milliseconds. Initial PRC calculation delay after a topology change—50 milliseconds. Hold time between the first and second PRC calculation—200 milliseconds.
Partition avoidance	Disabled.
Password	No area or domain password is defined, and authentication is disabled.
Set-overload-bit	Disabled. When enabled, if no arguments are entered, the overload bit is set immediately and remains set until you enter the <b>no set-overload-bit</b> command.

Feature	Default Setting
Shortest path first (SPF) throttling timers	Maximum interval between consecutive SFPs—5000 milliseconds. Initial SFP calculation after a topology change—200 milliseconds. Hold time between the first and second SFP calculation—50 milliseconds.
Summary-address	Disabled.

## Enabling IS-IS Routing

To enable IS-IS, specify a name and a network entity title (NET) for each routing process. Enable IS-IS routing on the interface and specify the area for each instance of the routing process.

### Procedure

	Command or Action	Purpose
<b>Step 1</b>	<b>enable</b> <b>Example:</b> <code>Device&gt;enable</code>	Enables privileged EXEC mode. Enter your password, if prompted.
<b>Step 2</b>	<b>configure terminal</b> <b>Example:</b> <code>Device#configure terminal</code>	Enters global configuration mode.
<b>Step 3</b>	<b>clsns routing</b> <b>Example:</b> <code>Device(config)#clsns routing</code>	Enables ISO connectionless routing on the device.
<b>Step 4</b>	<b>router isis [area tag]</b> <b>Example:</b> <code>Device(config)#router isis tag1</code>	Enables IS-IS routing for the specified routing process and enters IS-IS routing configuration mode.  (Optional) Use the <i>area tag</i> argument to identify the area to which the IS-IS router is assigned. Enter a value if you are configuring multiple IS-IS areas.  The first IS-IS instance that is configured is Level 1-2 by default. Later instances are automatically configured as Level 1. You can change the level of routing by using the <b>is-type</b> command in global configuration mode.
<b>Step 5</b>	<b>net network-entity-title</b> <b>Example:</b>	Configures the NETs for the routing process. While configuring multiarea IS-IS, specify a

	Command or Action	Purpose
	<pre>Device(config-router)#net 47.0004.004d.0001.0001.0c11.1111.00</pre>	NET for each routing process. Specify a name for a NET and for an address.
<b>Step 6</b>	<p><b>is-type</b> {<b>level-1</b>   <b>level-1-2</b>   <b>level-2-only</b>}</p> <p><b>Example:</b></p> <pre>Device(config-router)#is-type level-2-only</pre>	<p>(Optional) Configures the router to act as a Level 1 (station) router, a Level 2 (area) router for multiarea routing, or both (the default):</p> <ul style="list-style-type: none"> <li>• <b>level 1</b>—Acts as a station router only.</li> <li>• <b>level 1-2</b>—Acts as both a station router and an area router.</li> <li>• <b>level 2</b>—Acts as an area router only.</li> </ul>
<b>Step 7</b>	<p><b>exit</b></p> <p><b>Example:</b></p> <pre>Device(config-router)#end</pre>	Returns to global configuration mode.
<b>Step 8</b>	<p><b>interface</b> <i>interface-id</i></p> <p><b>Example:</b></p> <pre>Device(config)#interface gigabitethernet 1/0/1</pre>	Specifies an interface to route IS-IS, and enters interface configuration mode. If the interface is not already configured as a Layer 3 interface, enter the <b>no switchport</b> command to configure the interface into Layer 3 mode.
<b>Step 9</b>	<p><b>ip router isis</b> [<i>area tag</i>]</p> <p><b>Example:</b></p> <pre>Device(config-if)#ip router isis tag1</pre>	Configures an IS-IS routing process on the interface and attaches an area designator to the routing process.
<b>Step 10</b>	<p><b>ip address</b> <i>ip-address-mask</i></p> <p><b>Example:</b></p> <pre>Device(config-if)#ip address 10.0.0.5 255.255.255.0</pre>	Defines the IP address for the interface. An IP address is required for all the interfaces in an area, that is enabled for IS-IS, if any one interface is configured for IS-IS routing.
<b>Step 11</b>	<p><b>end</b></p> <p><b>Example:</b></p> <pre>Device(config)#end</pre>	Returns to privileged EXEC mode.
<b>Step 12</b>	<p><b>show isis</b> [<i>area tag</i>] <b>database detail</b></p> <p><b>Example:</b></p> <pre>Device#show isis database detail</pre>	Verifies your entries.

## Configuring IS-IS Global Parameters

To configure global IS-IS parameters, perform this procedure:

### Procedure

	Command or Action	Purpose
<b>Step 1</b>	<b>enable</b> <b>Example:</b>  Device> <b>enable</b>	Enables privileged EXEC mode.  Enter your password, if prompted.
<b>Step 2</b>	<b>configure terminal</b> <b>Example:</b>  Device# <b>configure terminal</b>	Enters global configuration mode.
<b>Step 3</b>	<b>router isis</b> <b>Example:</b>  Device(config)# <b>router isis</b>	Specifies the IS-IS routing protocol and enters router configuration mode.
<b>Step 4</b>	<b>default-information originate [route-map map-name]</b> <b>Example:</b>  Device(config-router)# <b>default-information originate route-map map1</b>	(Optional) Forces a default route into the IS-IS routing domain. When you enter the <b>route-map map-name</b> command, the routing process generates the default route for a valid route map.
<b>Step 5</b>	<b>ignore-lsp-errors</b> <b>Example:</b>  Device(config-router)# <b>ignore-lsp-errors</b>	(Optional) Configures the device to ignore LSPs with internal checksum errors, instead of purging the LSPs. This command is enabled by default (corrupted LSPs are dropped). To purge the corrupted LSPs, enter the <b>no ignore-lsp-errors</b> command in router configuration mode.
<b>Step 6</b>	<b>area-password password</b> <b>Example:</b>  Device(config-router)# <b>area-password 1password</b>	(Optional) Configures the area authentication password that is inserted in Level 1 (station router level) LSPs.
<b>Step 7</b>	<b>domain-password password</b> <b>Example:</b>  Device(config-router)# <b>domain-password 2password</b>	(Optional) Configures the routing domain authentication password that is inserted in Level 2 (area router level) LSPs.

	Command or Action	Purpose
<b>Step 8</b>	<p><b>summary-address</b> <i>address mask</i> [<b>level-1</b>   <b>level-1-2</b>   <b>level-2</b>]</p> <p><b>Example:</b></p> <pre>Device(config-router)#summary-address 10.1.0.0 255.255.0.0 level-2</pre>	(Optional) Creates a summary of addresses for a given level.
<b>Step 9</b>	<p><b>set-overload-bit</b> [<b>on-startup</b> {<i>seconds</i>   <b>wait-for-bgp</b>}]</p> <p><b>Example:</b></p> <pre>Device(config-router)#set-overload-bit on-startup wait-for-bgp</pre>	<p>(Optional) Sets an overload bit to allow other devices to ignore the device in their shortest path first (SPF) calculations if the device is having problems.</p> <ul style="list-style-type: none"> <li>• (Optional) <b>on-startup</b>—Sets the overload bit only on startup. If <b>on-startup</b> is not specified, the overload bit is set immediately and remains set until you enter the <b>no set-overload-bit</b> command. If <b>on-startup</b> is specified, you must either enter number of seconds or enter <b>wait-for-bgp</b>.</li> <li>• <i>seconds</i>—When the <b>on-startup</b> keyword is configured, it causes the overload bit to be set when the system is started and remains set for the specified number of seconds. The range is from 5 to 86400 seconds.</li> <li>• <b>wait-for-bgp</b>—When the <b>on-startup</b> keyword is configured, causes the overload bit to be set when the system is started and remains set until BGP has converged. If BGP does not signal the IS-IS that it is converged, the IS-IS will turn off the overload bit after 10 minutes.</li> </ul>
<b>Step 10</b>	<p><b>lsp-refresh-interval</b> <i>seconds</i></p> <p><b>Example:</b></p> <pre>Device(config-router)#lsp-refresh-interval 1080</pre>	(Optional) Sets an LSP refresh interval, in seconds. The range is from 1 to 65535 seconds. The default is to send LSP refreshes every 900 seconds (15 minutes).
<b>Step 11</b>	<p><b>max-lsp-lifetime</b> <i>seconds</i></p> <p><b>Example:</b></p> <pre>Device(config-router)#max-lsp-lifetime 1000</pre>	(Optional) Sets the maximum time that LSP packets remain in the router database without being refreshed. The range is from 1 to 65535 seconds. The default is 1200 seconds (20 minutes). After the specified time interval, the LSP packet is deleted.
<b>Step 12</b>	<p><b>lsp-gen-interval</b> [<b>level-1</b>   <b>level-2</b>]</p> <p><i>lsp-max-wait</i> [<i>lsp-initial-wait</i> <i>lsp-second-wait</i>]</p>	(Optional) Sets the IS-IS LSP generation throttling timers:

	Command or Action	Purpose
	<p><b>Example:</b></p> <pre>Device(config-router)#lsp-gen-interval level-2 2 50 100</pre>	<ul style="list-style-type: none"> <li>• <i>lsp-max-wait</i>—Maximum interval (in milliseconds) between two consecutive occurrences of an LSP being generated. The range is from 1 to 120; the default is 5000.</li> <li>• <i>lsp-initial-wait</i>—Initial LSP generation delay (in milliseconds). The range is from 1 to 10000; the default is 50.</li> <li>• <i>lsp-second-wait</i>—Hold time between the first and second LSP generation (in milliseconds). The range is from 1 to 10000; the default is 200.</li> </ul>
<b>Step 13</b>	<p><b>spf-interval</b> [<b>level-1</b>   <b>level-2</b>] <i>spf-max-wait</i> [<i>spf-initial-wait</i> <i>spf-second-wait</i>]</p> <p><b>Example:</b></p> <pre>Device(config-router)#spf-interval level-2 5 10 20</pre>	<p>(Optional) Sets IS-IS SPF throttling timers.</p> <ul style="list-style-type: none"> <li>• <i>spf-max-wait</i>—Maximum interval between consecutive SFPs (in milliseconds). The range is from 1 to 120; the default is 5000.</li> <li>• <i>spf-initial-wait</i>—Initial SFP calculation after a topology change (in milliseconds). The range is from 1 to 10000; the default is 50.</li> <li>• <i>spf-second-wait</i>—Hold time between the first and second SFP calculation (in milliseconds). The range is from 1 to 10000; the default is 200.</li> </ul>
<b>Step 14</b>	<p><b>prc-interval</b> <i>prc-max-wait</i> [<i>prc-initial-wait</i> <i>prc-second-wait</i>]</p> <p><b>Example:</b></p> <pre>Device(config-router)#prc-interval 5 10 20</pre>	<p>(Optional) Sets IS-IS PRC throttling timers.</p> <ul style="list-style-type: none"> <li>• <i>prc-max-wait</i>—Maximum interval (in milliseconds) between two consecutive PRC calculations. The range is from 1 to 120; the default is 5000.</li> <li>• <i>prc-initial-wait</i>—Initial PRC calculation delay (in milliseconds) after a topology change. The range is from 1 to 10,000; the default is 50.</li> <li>• <i>prc-second-wait</i>—Hold time between the first and second PRC calculation (in milliseconds). The range is from 1 to 10,000; the default is 200.</li> </ul>
<b>Step 15</b>	<p><b>log-adjacency-changes</b> [<b>all</b>]</p> <p><b>Example:</b></p>	<p>(Optional) Sets the router to log IS-IS adjacency state changes. Enter <b>all</b> to include all the changes generated by events that are</p>



	Command or Action	Purpose
	Device (config-router) #log-adjacency-changes all	not related to the IS-IS hellos, including End System-to-Intermediate System PDUs and LSPs.
<b>Step 16</b>	<b>lsp-mtu</b> <i>size</i> <b>Example:</b>  Device (config-router) #lsp mtu 1560	(Optional) Specifies the maximum LSP packet size, in bytes. The range is from 128 to 4352; the default is 1497 bytes.  <b>Note</b> If a link in the network has a reduced MTU size, you must change the LSP MTU size on all the devices in the network.
<b>Step 17</b>	<b>partition avoidance</b> <b>Example:</b>  Device (config-router) #partition avoidance	(Optional) Causes an IS-IS Level 1-2 border router to stop advertising the Level 1 area prefix into the Level 2 backbone when full connectivity is lost among the border router, all adjacent level 1 routers, and end hosts.
<b>Step 18</b>	<b>end</b> <b>Example:</b>  Device (config) #end	Returns to privileged EXEC mode.

## Configuring IS-IS Interface Parameters

To configure IS-IS interface-specific parameters, perform this procedure:

### Procedure

	Command or Action	Purpose
<b>Step 1</b>	<b>enable</b> <b>Example:</b>  Device>enable	Enables privileged EXEC mode.  Enter your password, if prompted.
<b>Step 2</b>	<b>configure terminal</b> <b>Example:</b>  Device#configure terminal	Enters global configuration mode.
<b>Step 3</b>	<b>interface</b> <i>interface-id</i> <b>Example:</b>  Device (config) #interface gigabitethernet 1/0/1	Specifies the interface to be configured and enters interface configuration mode. If the interface is not already configured as a Layer 3 interface, enter the <b>no switchport</b> command to configure the interface into Layer 3 mode.

	Command or Action	Purpose
Step 4	<b>isis metric</b> <i>default-metric</i> [level-1   level-2] <b>Example:</b> <pre>Device(config-if)#isis metric 15</pre>	(Optional) Configures the metric (or cost) for the specified interface. The range is from 0 to 63; the default is 10. If no level is entered, the default is applied to both Level 1 and Level 2 routers.
Step 5	<b>isis hello-interval</b> {seconds   minimal} [level-1   level-2] <b>Example:</b> <pre>Device(config-if)#isis hello-interval minimal</pre>	(Optional) Specifies the length of time between the hello packets sent by the device. By default, a value that is three times the hello interval <i>seconds</i> is advertised as the <i>holdtime</i> in the hello packets sent. With smaller hello intervals, topological changes are detected faster, but there is more routing traffic. <ul style="list-style-type: none"> <li>• <b>minimal</b>—Causes the system to compute the hello interval based on the hello multiplier so that the resulting hold time is 1 second.</li> <li>• <i>seconds</i>—Range is from 1 to 65535; default is 10 seconds.</li> </ul>
Step 6	<b>isis hello-multiplier</b> <i>multiplier</i> [level-1   level-2] <b>Example:</b> <pre>Device(config-if)#isis hello-multiplier 5</pre>	(Optional) Specifies the number of IS-IS hello packets a neighbor must miss before the device declares the adjacency as down. The range is from 3 to 1000; default is 3. <p><b>Note</b> Using a smaller hello multiplier causes fast convergence, but might result in routing instability.</p>
Step 7	<b>isis csnp-interval</b> <i>seconds</i> [level-1   level-2] <b>Example:</b> <pre>Device(config-if)#isis csnp-interval 15</pre>	(Optional) Configures the IS-IS complete sequence number PDU (CSNP) interval for the interface. The range is from 0 to 65535; default is 10 seconds.
Step 8	<b>isis retransmit-interval</b> <i>seconds</i> <b>Example:</b> <pre>Device(config-if)#isis retransmit-interval 7</pre>	(Optional) Configures the number of seconds between the retransmission of IS-IS LSPs for point-to-point links. Specify an integer that is greater than the expected round-trip delay between any two routers on the network. The range is from 0 to 65535; default is 5 seconds.
Step 9	<b>isis retransmit-throttle-interval</b> <i>milliseconds</i> <b>Example:</b> <pre>Device(config-if)#isis retransmit-throttle-interval 4000</pre>	(Optional) Configures the IS-IS LSP retransmission throttle interval, which is the maximum rate (number of milliseconds between packets) at which IS-IS LSPs will be resent on point-to-point links. The range is from 0 to 65535; default is determined by the <b>isis lsp-interval</b> command.

	Command or Action	Purpose
<b>Step 10</b>	<b>isis priority</b> <i>value</i> [ <b>level-1</b>   <b>level-2</b> ] <b>Example:</b> <pre>Device(config-if)#isis priority 50</pre>	(Optional) Configures the priority for the designated router. The range is from 0 to 127; default is 64.
<b>Step 11</b>	<b>isis circuit-type</b> { <b>level-1</b>   <b>level-1-2</b>   <b>level-2-only</b> } <b>Example:</b> <pre>Device(config-if)#isis circuit-type level-1-2</pre>	(Optional) Configures the type of adjacency required for neighbors on the specified interface (specify the interface circuit type). <ul style="list-style-type: none"> <li>• <b>level-1</b>—Level 1 adjacency is established if there is at least one area address that is common to both this node and its neighbors.</li> <li>• <b>level-1-2</b>—Level 1 and Level 2 adjacency are established if the neighbor is also configured as both Level 1 and Level 2, and there is at least one area in common. If there is no area in common, a Level 2 adjacency is established. This is the default option.</li> <li>• <b>level 2</b>—Level 2 adjacency is established. If the neighbor router is a Level 1 router, no adjacency is established.</li> </ul>
<b>Step 12</b>	<b>isis password</b> <i>password</i> [ <b>level-1</b>   <b>level-2</b> ] <b>Example:</b> <pre>Device(config-if)#isis password secret</pre>	(Optional) Configures the authentication password for an interface. By default, authentication is disabled. Specifying Level 1 or Level 2 enables the password only for Level 1 or Level 2 routing, respectively. If you do not specify a level, the default is Level 1 and Level 2.
<b>Step 13</b>	<b>end</b> <b>Example:</b> <pre>Device(config)#end</pre>	Returns to privileged EXEC mode.

## How to Configure IS-IS Authentication

The following sections provide information on how to generate authentication keys, how to configure IS-IS authentication for an interface, and how to configure IS-IS authentication for an instance.

## Configuring Authentication Keys

You can configure multiple keys with lifetimes. To send authentication packets, the key with the latest send lifetime setting is selected. If multiple keys have the same send lifetime setting, the key is randomly selected. Use the **accept-lifetime** command for examining and accepting the authentication packets that are received. The device must be aware of these lifetimes.

### Procedure

	Command or Action	Purpose
<b>Step 1</b>	<b>enable</b> <b>Example:</b>  Device> <b>enable</b>	Enables privileged EXEC mode.  Enter your password, if prompted.
<b>Step 2</b>	<b>configure terminal</b> <b>Example:</b>  Device#configure terminal	Enters global configuration mode.
<b>Step 3</b>	<b>key chain</b> <i>name-of-chain</i> <b>Example:</b>  Device(config)#key chain key10	Identifies a key chain, and enters key chain configuration mode.
<b>Step 4</b>	<b>key</b> <i>number</i> <b>Example:</b>  Device(config-keychain)#key 2000	Identifies the key number. The range is from 0 to 65535.
<b>Step 5</b>	<b>key-string</b> <i>text</i> <b>Example:</b>  Device(config-keychain-key)#Room 20, 10th floor	Identifies the key string. The string can contain 1-80 uppercase and lowercase alphanumeric characters, but the first character cannot be a number.
<b>Step 6</b>	<b>accept-lifetime</b> <i>start-time</i> { <b>infinite</b>   <i>end-time</i>   <b>duration</b> <i>seconds</i> } <b>Example:</b>  Device(config-keychain-key)#accept-lifetime 12:30:00 Jan 25 1009 infinite	(Optional) Specifies the time period during which the key can be received.  The <i>start-time</i> and <i>end-time</i> syntax can be either <i>hh:mm:ss month date year</i> or <i>hh:mm:ss date month year</i> . The default is forever with the default <i>start-time</i> and the earliest acceptable date is January 1, 1993. The default <i>end-time</i> and <b>duration</b> is <b>infinite</b> .
<b>Step 7</b>	<b>send-lifetime</b> <i>start-time</i> { <b>infinite</b>   <i>end-time</i>   <b>duration</b> <i>seconds</i> } <b>Example:</b>	(Optional) Specifies the time period during which the key can be sent.  The <i>start-time</i> and <i>end-time</i> syntax can be either <i>hh:mm:ss month date year</i> or <i>hh:mm:ss</i>

	Command or Action	Purpose
	<pre>Device (config-keychain-key) #accept-lifetime 23:30:00 Jan 25 1019 infinite</pre>	<i>date month year</i> . The default <i>start-time</i> is <b>infinite</b> and the earliest acceptable date is January 1, 1993. The default <i>end-time</i> and <b>duration</b> is <b>infinite</b> .
<b>Step 8</b>	<p><b>cryptographic-algorithm {hmac-sha-1   hmac-sha-256   hmac-sha-384   hmac-sha-512   md5 }</b></p> <p><b>Example:</b></p> <pre>Device (config-keychain-key) #cryptographic-algorithm hmac-sha1-256</pre>	(Optional) Specifies the cryptographic algorithm.
<b>Step 9</b>	<p><b>end</b></p> <p><b>Example:</b></p> <pre>Device (config-keychain-key) #end</pre>	Returns to privileged EXEC mode.
<b>Step 10</b>	<p><b>show key chain</b></p> <p><b>Example:</b></p> <pre>Device#show key chain</pre>	Displays authentication key information.

## Configuring HMAC-MD5 or Clear Text Authentication for an IS-IS Instance

To achieve a smooth transition from one authentication method to another and to allow for continuous authentication of IS-IS PDUs, perform this procedure on each device that communicates in the network.

### Before you begin

You should have generated an authentication string key. The same authentication string key should be configured on all the devices in the network.

### Procedure

	Command or Action	Purpose
<b>Step 1</b>	<p><b>enable</b></p> <p><b>Example:</b></p> <pre>Device&gt;enable</pre>	Enables privileged EXEC mode. Enter your password, if prompted.
<b>Step 2</b>	<p><b>configure terminal</b></p> <p><b>Example:</b></p> <pre>Device#configure terminal</pre>	Enters global configuration mode.

	Command or Action	Purpose
<b>Step 3</b>	<b>router isis</b> [ <i>area tag</i> ] <b>Example:</b>  Device (config) # <b>router isis 1</b>	Enables IS-IS as an IP routing protocol and assigns a tag to a process, if required. Enters router configuration mode.
<b>Step 4</b>	<b>authentication send-only</b> [ <i>level-1   level-2</i> ] <b>Example:</b>  Device (config-router) # <b>authentication send-only</b>	Specifies that authentication is performed only on the PDUs that are being sent (not received) for the specified IS-IS instance.
<b>Step 5</b>	<b>authentication mode</b> { <i>md5   text</i> } [ <i>level-1   level-2</i> ] <b>Example:</b>  Device (config-router) # <b>authentication mode md5</b>	Specifies the types of authentication to be used in PDUs for the specified IS-IS instance: <ul style="list-style-type: none"> <li>• <b>md5</b>—MD5 authentication.</li> <li>• <b>text</b>—Clear text authentication.</li> </ul>
<b>Step 6</b>	<b>authentication key-chain</b> <i>name-of-chain</i> [ <i>level-1   level-2</i> ] <b>Example:</b>  Device (config-router) # <b>authentication key-chain remote3754</b>	Enables authentication for the specified IS-IS instance.
<b>Step 7</b>	<b>no authentication send-only</b> <b>Example:</b>  Device (config-router) # <b>no authentication send-only</b>	Specifies that authentication is performed only on the PDUs that are being sent and received for the specified IS-IS instance.

## Configuring HMAC-MD5 or Clear Text Authentication for an IS-IS Interface

To achieve a smooth transition from one authentication method to another and to allow for continuous authentication of IS-IS PDUs, perform this procedure on each device that communicates in the network.

### Before you begin

You should have generated an authentication string key. The same authentication string key should be configured on all the devices in the network.

### Procedure

	Command or Action	Purpose
<b>Step 1</b>	<b>enable</b> <b>Example:</b>	Enables privileged EXEC mode.  Enter your password, if prompted.

	Command or Action	Purpose
	Device> <b>enable</b>	
<b>Step 2</b>	<b>configure terminal</b> <b>Example:</b> Device# <b>configure terminal</b>	Enters global configuration mode.
<b>Step 3</b>	<b>interface</b> <i>type number</i> <b>Example:</b> Device(config)# <b>interface ethernet 0</b>	Configures an interface.
<b>Step 4</b>	<b>isis authentication send-only</b> [level-1   level-2] <b>Example:</b> Device(config-if)# <b>isis authentication send-only</b>	Specifies that authentication is performed only on the PDUs being sent (not received) for the specified IS-IS interface.
<b>Step 5</b>	<b>isis authentication mode</b> {md5   text} [level-1   level-2] <b>Example:</b> Device(config-if)# <b>isis authentication mode md5</b>	Specifies the types of authentication to be used in PDUs for the specified IS-IS interface: <ul style="list-style-type: none"> <li>• <b>md5</b>—MD5 authentication.</li> <li>• <b>text</b>—Clear text authentication.</li> </ul>
<b>Step 6</b>	<b>isis authentication key-chain</b> <i>name-of-chain</i> [level-1   level-2] <b>Example:</b> Device(config-if)# <b>isis authentication key-chain multistate87723</b>	Enables MD5 authentication for the specified IS-IS interface.
<b>Step 7</b>	<b>no isis authentication send-only</b> <b>Example:</b> Device(config-if)# <b>no isis authentication send-only</b>	Specifies that authentication is performed only on the PDUs that are being sent and received for the IS-IS interface.

## Monitoring and Maintaining IS-IS

You can display specific IS-IS statistics, such as the contents of routing tables, caches, and databases. You can also display information about specific interfaces, filters, or neighbors.

The following table lists the privileged EXEC commands for clearing and displaying IS-IS routing.

Table 39: IS-IS show Commands

Command
<code>show ip route isis</code>
<code>show isis database</code>
<code>show isis routes</code>
<code>show isis spf-log</code>
<code>show isis topology</code>
<code>show route-map</code>
<code>trace clns destination</code>

## Feature History for IS-IS

This table provides release and related information for the features explained in this module.

These features are available in all the releases subsequent to the one they were introduced in, unless noted otherwise.

Release	Feature	Feature Information
Cisco IOS XE Everest 16.5.1a	IS-IS Routing	Integrated Intermediate System-to-Intermediate System (IS-IS) is an ISO dynamic routing protocol (described in ISO 105890).  Support for this feature was introduced only on the C9500-12Q, C9500-16X, C9500-24Q, C9500-40X models of the Cisco Catalyst 9500 Series Switches.
Cisco IOS XE Fuji 16.8.1a	IS-IS Routing	Integrated Intermediate System-to-Intermediate System (IS-IS) is an ISO dynamic routing protocol (described in ISO 105890).  Support for this feature was introduced only on the C9500-32C, C9500-32QC, C9500-48Y4C, and C9500-24Y4C models of the Cisco Catalyst 9500 Series Switches.



Release	Feature	Feature Information
Cisco IOS XE Gibraltar 16.10.1	Secure Hash Algorithm (SHA) authentication	IS-IS now supports Secure Hash Algorithm (SHA) authentication—SHA-1, SHA-256, SHA-384, and SHA-512.
Cisco IOS XE Cupertino 17.7.1	IS-IS Routing	Support for this feature was introduced on the C9500X-28C8D model of the Cisco Catalyst 9500 Series Switches.

Use the Cisco Feature Navigator to find information about platform and software image support. To access Cisco Feature Navigator, go to <https://cfng.cisco.com/>





## CHAPTER 36

# Configuring Multi-VRF CE

- [Information About Multi-VRF CE, on page 441](#)
- [How to Configure Multi-VRF CE, on page 444](#)
- [Monitoring Multi-VRF CE, on page 460](#)
- [Configuration Example: Multi-VRF CE, on page 460](#)
- [Feature History for Multi-VRF CE, on page 464](#)

## Information About Multi-VRF CE

Virtual Private Networks (VPNs) provide a secure way for customers to share bandwidth over an ISP backbone network. A VPN is a collection of sites sharing a common routing table. A customer site is connected to the service-provider network by one or more interfaces, and the service provider associates each interface with a VPN routing table, called a VPN routing/forwarding (VRF) table.

The switch supports multiple VPN routing/forwarding (multi-VRF) instances in customer edge (CE) devices (multi-VRF CE) when the it is running the Network Advantage license. Multi-VRF CE allows a service provider to support two or more VPNs with overlapping IP addresses.



---

**Note** The switch does not use Multiprotocol Label Switching (MPLS) to support VPNs.

---

## Understanding Multi-VRF CE

Multi-VRF CE is a feature that allows a service provider to support two or more VPNs, where IP addresses can be overlapped among the VPNs. Multi-VRF CE uses input interfaces to distinguish routes for different VPNs and forms virtual packet-forwarding tables by associating one or more Layer 3 interfaces with each VRF. Interfaces in a VRF can be either physical, such as Ethernet ports, or logical, such as VLAN SVIs, but an interface cannot belong to more than one VRF at any time.



---

**Note** Multi-VRF CE interfaces must be Layer 3 interfaces.

---

Multi-VRF CE includes these devices:

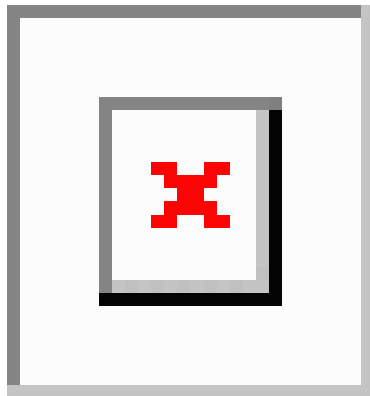
- Customer edge (CE) devices provide customers access to the service-provider network over a data link to one or more provider edge routers. The CE device advertises the site's local routes to the router and learns the remote VPN routes from it. A switch can be a CE.
- Provider edge (PE) routers exchange routing information with CE devices by using static routing or a routing protocol such as BGP, RIPv2, OSPF, or EIGRP. The PE is only required to maintain VPN routes for those VPNs to which it is directly attached, eliminating the need for the PE to maintain all of the service-provider VPN routes. Each PE router maintains a VRF for each of its directly connected sites. Multiple interfaces on a PE router can be associated with a single VRF if all of these sites participate in the same VPN. Each VPN is mapped to a specified VRF. After learning local VPN routes from CEs, a PE router exchanges VPN routing information with other PE routers by using internal BGP (IBPG).
- Provider routers or core routers are any routers in the service provider network that do not attach to CE devices.

With multi-VRF CE, multiple customers can share one CE, and only one physical link is used between the CE and the PE. The shared CE maintains separate VRF tables for each customer and switches or routes packets for each customer based on its own routing table. Multi-VRF CE extends limited PE functionality to a CE device, giving it the ability to maintain separate VRF tables to extend the privacy and security of a VPN to the branch office.

## Network Topology

The figure shows a configuration using switches as multiple virtual CEs. This scenario is suited for customers who have low bandwidth requirements for their VPN service, for example, small companies. In this case, multi-VRF CE support is required in the switches. Because multi-VRF CE is a Layer 3 feature, each interface in a VRF must be a Layer 3 interface.

**Figure 18: Switches Acting as Multiple Virtual CEs**



When the CE switch receives a command to add a Layer 3 interface to a VRF, it sets up the appropriate mapping between the VLAN ID and the policy label (PL) in multi-VRF-CE-related data structures and adds the VLAN ID and PL to the VLAN database.

When multi-VRF CE is configured, the Layer 3 forwarding table is conceptually partitioned into two sections:

- The multi-VRF CE routing section contains the routes from different VPNs.
- The global routing section contains routes to non-VPN networks, such as the Internet.

VLAN IDs from different VRFs are mapped into different policy labels, which are used to distinguish the VRFs during processing. For each new VPN route learned, the Layer 3 setup function retrieves the policy label by using the VLAN ID of the ingress port and inserts the policy label and new route to the multi-VRF CE routing section. If the packet is received from a routed port, the port internal VLAN ID number is used; if the packet is received from an SVI, the VLAN number is used.

## Packet-Forwarding Process

This is the packet-forwarding process in a multi-VRF-CE-enabled network:

- When the switch receives a packet from a VPN, the switch looks up the routing table based on the input policy label number. When a route is found, the switch forwards the packet to the PE.
- When the ingress PE receives a packet from the CE, it performs a VRF lookup. When a route is found, the router adds a corresponding MPLS label to the packet and sends it to the MPLS network.
- When an egress PE receives a packet from the network, it strips the label and uses the label to identify the correct VPN routing table. Then it performs the normal route lookup. When a route is found, it forwards the packet to the correct adjacency.
- When a CE receives a packet from an egress PE, it uses the input policy label to look up the correct VPN routing table. If a route is found, it forwards the packet within the VPN.

## Network Components

To configure VRF, you create a VRF table and specify the Layer 3 interface associated with the VRF. Then configure the routing protocols in the VPN and between the CE and the PE. BGP is the preferred routing protocol used to distribute VPN routing information across the provider's backbone. The multi-VRF CE network has three major components:

- VPN route target communities—lists of all other members of a VPN community. You need to configure VPN route targets for each VPN community member.
- Multiprotocol BGP peering of VPN community PE routers—propagates VRF reachability information to all members of a VPN community. You need to configure BGP peering in all PE routers within a VPN community.
- VPN forwarding—transports all traffic between all VPN community members across a VPN service-provider network.

## VRF-Aware Services

IP services can be configured on global interfaces, and these services run within the global routing instance. IP services are enhanced to run on multiple routing instances; they are VRF-aware. Any configured VRF in the system can be specified for a VRF-aware service.

VRF-Aware services are implemented in platform-independent modules. VRF means multiple routing instances in Cisco IOS. Each platform has its own limit on the number of VRFs it supports.

VRF-aware services have the following characteristics:

- The user can ping a host in a user-specified VRF.
- ARP entries are learned in separate VRFs. The user can display Address Resolution Protocol (ARP) entries for specific VRFs.

## Multi-VRF CE Configuration Guidelines



**Note** To use multi-VRF CE, you must have the Network Advantage license enabled on your switch.

- A switch with multi-VRF CE is shared by multiple customers, and each customer has its own routing table.
- Because customers use different VRF tables, the same IP addresses can be reused. Overlapped IP addresses are allowed in different VPNs.
- Multi-VRF CE lets multiple customers share the same physical link between the PE and the CE. Trunk ports with multiple VLANs separate packets among customers. Each customer has its own VLAN.
- Multi-VRF CE does not support all MPLS-VRF functionality. It does not support label exchange, LDP adjacency, or labeled packets.
- For the PE router, there is no difference between using multi-VRF CE or using multiple CEs. In Figure 41-6, multiple virtual Layer 3 interfaces are connected to the multi-VRF CE device.
- The switch supports configuring VRF by using physical ports, VLAN SVIs, or a combination of both. The SVIs can be connected through an access port or a trunk port.
- A customer can use multiple VLANs as long as they do not overlap with those of other customers. A customer's VLANs are mapped to a specific routing table ID that is used to identify the appropriate routing tables stored on the switch.
- The switch supports one global network and up to 256 VRFs.
- Most routing protocols (BGP, OSPF, RIP, and static routing) can be used between the CE and the PE. However, we recommend using external BGP (EBGP) for these reasons:
  - BGP does not require multiple algorithms to communicate with multiple CEs.
  - BGP is designed for passing routing information between systems run by different administrations.
  - BGP makes it easy to pass attributes of the routes to the CE.
- Multi-VRF CE does not affect the packet switching rate.
- VPN multicast is not supported.
- You can enable VRF on a private VLAN, and the reverse.
- You cannot enable VRF when policy-based routing (PBR) is enabled on an interface, and the reverse.
- You cannot enable VRF when Web Cache Communication Protocol (WCCP) is enabled on an interface, and the reverse.

## How to Configure Multi-VRF CE

The following sections provide configurational information about Multi-VRF CE.

## Default Multi-VRF CE Configuration

Table 40: Default VRF Configuration

Feature	Default Setting
VRF	Disabled. No VRFs are defined.
Maps	No import maps, export maps, or route maps are defined.
VRF maximum routes	Fast Ethernet switches: 8000 Gigabit Ethernet switches: 12000.
Forwarding table	The default for an interface is the global routing table.

## Configuring VRFs

Perform the following steps:

### Procedure

	Command or Action	Purpose
<b>Step 1</b>	<b>enable</b> <b>Example:</b> Device> <b>enable</b>	Enables privileged EXEC mode. Enter your password if prompted.
<b>Step 2</b>	<b>configure terminal</b> <b>Example:</b> Device# <b>configure terminal</b>	Enters global configuration mode.
<b>Step 3</b>	<b>ip routing</b> <b>Example:</b> Device (config) # <b>ip routing</b>	Enables IP routing.
<b>Step 4</b>	<b>ip vrf vrf-name</b> <b>Example:</b> Device (config) # <b>ip vrf vpn1</b>	Names the VRF, and enter VRF configuration mode.
<b>Step 5</b>	<b>rd route-distinguisher</b> <b>Example:</b> Device (config-vrf) # <b>rd 100:2</b>	Creates a VRF table by specifying a route distinguisher. Enter either an AS number and an arbitrary number (xxx:y) or an IP address and arbitrary number (A.B.C.D:y)

	Command or Action	Purpose
Step 6	<b>route-target</b> { <b>export</b>   <b>import</b>   <b>both</b> } <i>route-target-ext-community</i> <b>Example:</b> <pre>Device(config-vrf)#route-target both 100:2</pre>	Creates a list of import, export, or import and export route target communities for the specified VRF. Enter either an AS system number and an arbitrary number (xxx:y) or an IP address and an arbitrary number (A.B.C.D:y). The <i>route-target-ext-community</i> should be the same as the <i>route-distinguisher</i> entered in Step 4.
Step 7	<b>import map</b> <i>route-map</i> <b>Example:</b> <pre>Device(config-vrf)#import map importmap1</pre>	(Optional) Associates a route map with the VRF.
Step 8	<b>interface</b> <i>interface-id</i> <b>Example:</b> <pre>Device(config-vrf)#interface gigabitethernet 1/0/1</pre>	Specifies the Layer 3 interface to be associated with the VRF, and enter interface configuration mode. The interface can be a routed port or SVI.
Step 9	<b>ip vrf forwarding</b> <i>vrf-name</i> <b>Example:</b> <pre>Device(config-if)#ip vrf forwarding vpn1</pre>	Associates the VRF with the Layer 3 interface.  <b>Note</b> When <b>ip vrf forwarding</b> is enabled in the Management Interface, the access point does not join.
Step 10	<b>end</b> <b>Example:</b> <pre>Device(config)#end</pre>	Returns to privileged EXEC mode.
Step 11	<b>show ip vrf</b> [ <b>brief</b>   <b>detail</b>   <b>interfaces</b> ] [ <i>vrf-name</i> ] <b>Example:</b> <pre>Device#show ip vrf interfaces vpn1</pre>	Verifies the configuration. Displays information about the configured VRFs.
Step 12	<b>copy running-config startup-config</b> <b>Example:</b> <pre>Device#copy running-config startup-config</pre>	(Optional) Saves your entries in the configuration file.



## Configuring Multicast VRFs

### Procedure

	Command or Action	Purpose
<b>Step 1</b>	<b>enable</b> <b>Example:</b> Device> <b>enable</b>	Enables privileged EXEC mode. Enter your password if prompted.
<b>Step 2</b>	<b>configure terminal</b> <b>Example:</b> Device# <b>configure terminal</b>	Enters global configuration mode.
<b>Step 3</b>	<b>ip routing</b> <b>Example:</b> Device (config) # <b>ip routing</b>	Enables IP routing mode.
<b>Step 4</b>	<b>ip vrf vrf-name</b> <b>Example:</b> Device (config) # <b>ip vrf vpn1</b>	Names the VRF, and enter VRF configuration mode.
<b>Step 5</b>	<b>rd route-distinguisher</b> <b>Example:</b> Device (config-vrf) # <b>rd 100:2</b>	Creates a VRF table by specifying a route distinguisher. Enter either an AS number and an arbitrary number (xxx:y) or an IP address and an arbitrary number (A.B.C.D:y)
<b>Step 6</b>	<b>route-target {export   import   both}</b> <i>route-target-ext-community</i> <b>Example:</b> Device (config-vrf) # <b>route-target import 100:2</b>	Creates a list of import, export, or import and export route target communities for the specified VRF. Enter either an AS system number and an arbitrary number (xxx:y) or an IP address and an arbitrary number (A.B.C.D:y). The <i>route-target-ext-community</i> should be the same as the <i>route-distinguisher</i> entered in Step 4.
<b>Step 7</b>	<b>import map route-map</b> <b>Example:</b> Device (config-vrf) # <b>import map importmap1</b>	(Optional) Associates a route map with the VRF.
<b>Step 8</b>	<b>ip multicast-routing vrf vrf-name distributed</b> <b>Example:</b>	(Optional) Enables global multicast routing for VRF table.

	Command or Action	Purpose
	Device (config-vrf) # <b>ip multicast-routing vrf vpn1 distributed</b>	
<b>Step 9</b>	<b>interface</b> <i>interface-id</i> <b>Example:</b> Device (config-vrf) # <b>interface gigabitethernet 1/0/2</b>	Specifies the Layer 3 interface to be associated with the VRF, and enter interface configuration mode. The interface can be a routed port or an SVI.
<b>Step 10</b>	<b>ip vrf forwarding</b> <i>vrf-name</i> <b>Example:</b> Device (config-if) # <b>ip vrf forwarding vpn1</b>	Associates the VRF with the Layer 3 interface.
<b>Step 11</b>	<b>ip address</b> <i>ip-address mask</i> <b>Example:</b> Device (config-if) # <b>ip address 10.1.5.1 255.255.255.0</b>	Configures IP address for the Layer 3 interface.
<b>Step 12</b>	<b>ip pim sparse-dense mode</b> <b>Example:</b> Device (config-if) # <b>ip pim sparse-dense mode</b>	Enables PIM on the VRF-associated Layer 3 interface.
<b>Step 13</b>	<b>end</b> <b>Example:</b> Device (config) # <b>end</b>	Returns to privileged EXEC mode.
<b>Step 14</b>	<b>show ip vrf</b> [ <b>brief</b>   <b>detail</b>   <b>interfaces</b> ] [ <i>vrf-name</i> ] <b>Example:</b> Device# <b>show ip vrf detail vpn1</b>	Verifies the configuration. Displays information about the configured VRFs.
<b>Step 15</b>	<b>copy running-config startup-config</b> <b>Example:</b> Device# <b>copy running-config startup-config</b>	(Optional) Saves your entries in the configuration file.

## Configuring a VPN Routing Session

Routing within the VPN can be configured with any supported routing protocol (RIP, OSPF, EIGRP, or BGP) or with static routing. The configuration shown here is for OSPF, but the process is the same for other protocols.



**Note** To configure an EIGRP routing process to run within a VRF instance, you must configure an autonomous-system number by entering the **autonomous-system** *autonomous-system-number* address-family configuration mode command.

### Procedure

	Command or Action	Purpose
<b>Step 1</b>	<b>enable</b> <b>Example:</b> Device> <b>enable</b>	Enables privileged EXEC mode. Enter your password if prompted.
<b>Step 2</b>	<b>configure terminal</b> <b>Example:</b> Device# <b>configure terminal</b>	Enters global configuration mode.
<b>Step 3</b>	<b>router ospf</b> <i>process-id</i> <b>vrf</b> <i>vrf-name</i> <b>Example:</b> Device(config)# <b>router ospf 1 vrf vpn1</b>	Enables OSPF routing, specifies a VPN forwarding table, and enter router configuration mode.
<b>Step 4</b>	<b>log-adjacency-changes</b> <b>Example:</b> Device(config-router)# <b>log-adjacency-changes</b>	(Optional) Logs changes in the adjacency state. This is the default state.
<b>Step 5</b>	<b>redistribute bgp</b> <i>autonomous-system-number</i> <b>subnets</b> <b>Example:</b> Device(config-router)# <b>redistribute bgp 10 subnets</b>	Sets the switch to redistribute information from the BGP network to the OSPF network.
<b>Step 6</b>	<b>network</b> <i>network-number</i> <b>area</b> <i>area-id</i> <b>Example:</b> Device(config-router)# <b>network 1 area 2</b>	Defines a network address and mask on which OSPF runs and the area ID for that network address.

	Command or Action	Purpose
Step 7	<b>end</b> <b>Example:</b>  Device (config-router) # <b>end</b>	Returns to privileged EXEC mode.
Step 8	<b>show ip ospf process-id</b> <b>Example:</b>  Device# <b>show ip ospf 1</b>	Verifies the configuration of the OSPF network.
Step 9	<b>copy running-config startup-config</b> <b>Example:</b>  Device# <b>copy running-config startup-config</b>	(Optional) Saves your entries in the configuration file.

## Configuring BGP PE to CE Routing Sessions

### Procedure

	Command or Action	Purpose
Step 1	<b>configure terminal</b> <b>Example:</b>  Device# <b>configure terminal</b>	Enters global configuration mode.
Step 2	<b>router bgp autonomous-system-number</b> <b>Example:</b>  Device (config) # <b>router bgp 2</b>	Configures the BGP routing process with the AS number passed to other BGP routers, and enter router configuration mode.
Step 3	<b>network network-number mask network-mask</b> <b>Example:</b>  Device (config-router) # <b>network 5 mask 255.255.255.0</b>	Specifies a network and mask to announce using BGP.
Step 4	<b>redistribute ospf process-id match internal</b> <b>Example:</b>  Device (config-router) # <b>redistribute ospf 1 match internal</b>	Sets the switch to redistribute OSPF internal routes.

	Command or Action	Purpose
<b>Step 5</b>	<b>network</b> <i>network-number</i> <b>area</b> <i>area-id</i> <b>Example:</b>  Device(config-router)# <b>network 5 area 2</b>	Defines a network address and mask on which OSPF runs and the area ID for that network address.
<b>Step 6</b>	<b>address-family ipv4 vrf</b> <i>vrf-name</i> <b>Example:</b>  Device(config-router)# <b>address-family ipv4 vrf vpn1</b>	Defines BGP parameters for PE to CE routing sessions, and enter VRF address-family mode.
<b>Step 7</b>	<b>neighbor</b> <i>address</i> <b>remote-as</b> <i>as-number</i> <b>Example:</b>  Device(config-router)# <b>neighbor 10.1.1.2 remote-as 2</b>	Defines a BGP session between PE and CE routers.
<b>Step 8</b>	<b>neighbor</b> <i>address</i> <b>activate</b> <b>Example:</b>  Device(config-router)# <b>neighbor 10.2.1.1 activate</b>	Activates the advertisement of the IPv4 address family.
<b>Step 9</b>	<b>end</b> <b>Example:</b>  Device(config-router)# <b>end</b>	Returns to privileged EXEC mode.
<b>Step 10</b>	<b>show ip bgp</b> [ <i>ipv4</i> ] [ <i>neighbors</i> ] <b>Example:</b>  Device# <b>show ip bgp ipv4 neighbors</b>	Verifies BGP configuration.
<b>Step 11</b>	<b>copy running-config startup-config</b> <b>Example:</b>  Device# <b>copy running-config startup-config</b>	(Optional) Saves your entries in the configuration file.

## Configuring VRF-Aware Services

These services are VRF-Aware:

- ARP
- Ping
- Simple Network Management Protocol (SNMP)

- Unicast Reverse Path Forwarding (uRPF)
- Syslog
- Traceroute
- FTP and TFTP

## Configuring VRF-Aware Services for SNMP

### Procedure

	Command or Action	Purpose
<b>Step 1</b>	<b>enable</b> <b>Example:</b> Device> <b>enable</b>	Enables privileged EXEC mode. Enter your password if prompted.
<b>Step 2</b>	<b>configure terminal</b> <b>Example:</b> Device# <b>configure terminal</b>	Enters global configuration mode.
<b>Step 3</b>	<b>snmp-server trap authentication vrf</b> <b>Example:</b> Device (config)# <b>snmp-server trap authentication vrf</b>	Enables SNMP traps for packets on a VRF.
<b>Step 4</b>	<b>snmp-server engineID remote host vrf vpn-instance engine-id string</b> <b>Example:</b> Device (config)# <b>snmp-server engineID remote 172.16.20.3 vrf vpn1 80000009030000B064EFE100</b>	Configures a name for the remote SNMP engine on a switch.
<b>Step 5</b>	<b>snmp-server host host vrf vpn-instance traps community</b> <b>Example:</b> Device (config)# <b>snmp-server host 172.16.20.3 vrf vpn1 traps comaccess</b>	Specifies the recipient of an SNMP trap operation and specifies the VRF table to be used for sending SNMP traps.
<b>Step 6</b>	<b>snmp-server host host vrf vpn-instance informs community</b> <b>Example:</b> Device (config)# <b>snmp-server host 172.16.20.3 vrf vpn1 informs comaccess</b>	Specifies the recipient of an SNMP inform operation and specifies the VRF table to be used for sending SNMP informs.

	Command or Action	Purpose
<b>Step 7</b>	<b>snmp-server user</b> <i>user group</i> <b>remote</b> <i>host vrf</i> <i>vpn-instance security model</i>  <b>Example:</b>  Device(config)# <b>snmp-server user</b> abcd <b>remote</b> 172.16.20.3 vrf vpn1 priv v2c 3des secure3des	Adds a user to an SNMP group for a remote host on a VRF for SNMP access.
<b>Step 8</b>	<b>end</b>  <b>Example:</b>  Device(config-if)# <b>end</b>	Returns to privileged EXEC mode.

## Configuring VRF-Aware Services for NTP

Configuring VRF-aware services for NTP comprises configuring the NTP servers and the NTP client interfaces connected to the NTP servers.

### Before you begin

Ensure connectivity between the NTP client and servers. Configure a valid IP address and subnet on the client interfaces that are connected to the NTP servers.

### Configuring VRF-Aware Services for NTP on NTP Client

Perform the following steps on the client interface that is connected to the NTP server.

#### Procedure

	Command or Action	Purpose
<b>Step 1</b>	<b>enable</b>  <b>Example:</b>  Device> <b>enable</b>	Enables privileged EXEC mode. <ul style="list-style-type: none"> <li>• Enter your password, if prompted.</li> </ul>
<b>Step 2</b>	<b>configure terminal</b>  <b>Example:</b>  Device# <b>configure terminal</b>	Enters global configuration mode.
<b>Step 3</b>	<b>interface</b> <i>interface-id</i>  <b>Example:</b>  Device (config)# <b>interface</b> gigabitethernet 1/0/1	Specifies the Layer 3 interface to be associated with the VRF, and enters the interface configuration mode.

	Command or Action	Purpose
<b>Step 4</b>	<b>vrf forwarding</b> <i>vrf-name</i> <b>Example:</b> Device (config-if) # <b>vrf forwarding A</b>	Associates the VRF with the Layer 3 interface.
<b>Step 5</b>	<b>ip address</b> <i>ip-address subnet-mask</i> <b>Example:</b> Device (config-if) # <b>ip address 1.1.1.1 255.255.255.0</b>	Enter the IP address for the interface.
<b>Step 6</b>	<b>no shutdown</b> <b>Example:</b> Device (config-if) # <b>no shutdown</b>	Enables the interface.
<b>Step 7</b>	<b>exit</b> <b>Example:</b> Device (config-if) <b>exit</b>	Exits the interface configuration mode.
<b>Step 8</b>	<b>ntp authentication-key</b> <i>number md5 md5-number</i> <b>Example:</b> Device (config) # <b>ntp authentication-key 1 md5 cisco123</b>	Defines the authentication keys. The device does not synchronize to a time source unless the source has one of these authentication keys and the key number is specified by the <b>ntp trusted-key number</b> command. <b>Note</b> The authentication key <i>number</i> and the MD5 <i>passwd</i> must be the same on both the client and server.
<b>Step 9</b>	<b>ntp authenticate</b> <b>Example:</b> Device (config) # <b>ntp authenticate</b>	Enables the NTP authentication feature. NTP authentication is disabled by default.
<b>Step 10</b>	<b>ntp trusted-key</b> <i>key-number</i> <b>Example:</b> Device (config) # <b>ntp trusted-key 1</b>	Specifies one or more keys that an NTP server must provide in its NTP packets in order for the NTP client to synchronize to it. The range for trusted keys is from 1 to 65535. This command provides protection against accidentally synchronizing the NTP client to an NTP server that is not trusted.
<b>Step 11</b>	<b>ntp server vrf</b> <i>vrf-name</i> <b>Example:</b> Device (config) # <b>ntp server vrf A 1.1.1.2 key 1</b>	Configures NTP Server in the specified VRF.



## Configuring VRF-Aware Services for NTP on the NTP Server

Perform the following steps on the NTP server.

### Procedure

	Command or Action	Purpose
<b>Step 1</b>	<b>enable</b> <b>Example:</b> Device> <b>enable</b>	Enables privileged EXEC mode. <ul style="list-style-type: none"> <li>• Enter your password if prompted.</li> </ul>
<b>Step 2</b>	<b>configure terminal</b> <b>Example:</b> Device# <b>configure terminal</b>	Enters global configuration mode.
<b>Step 3</b>	<b>ntp authentication-key number md5</b> <i>passwd</i> <b>Example:</b> Device(config)# <b>ntp authentication-key 1</b> <b>md5 cisco123</b>	Defines the authentication keys. The device does not synchronize to a time source unless the source has one of these authentication keys and the key number is specified by the <b>ntp trusted-key number</b> command. <p><b>Note</b> The authentication key <i>number</i> and the MD5 <i>passwd</i> must be the same on both the client and server.</p>
<b>Step 4</b>	<b>ntp authenticate</b> <b>Example:</b> Device(config)# <b>ntp authenticate</b>	Enables the NTP authentication feature. NTP authentication is disabled by default.
<b>Step 5</b>	<b>ntp trusted-key key-number</b> <b>Example:</b> Device(config)# <b>ntp trusted-key 1</b>	Specifies one or more keys that an NTP server must provide in its NTP packets in order for the NTP client to synchronize to it. The range for trusted keys is from 1 to 65535. This command provides protection against accidentally synchronizing the NTP client to an NTP server that is not trusted.
<b>Step 6</b>	<b>interface interface-id</b> <b>Example:</b> Device(config)# <b>interface gigabitethernet</b> <b>1/0/3</b>	Specifies the Layer 3 interface to be associated with the VRF, and enters the interface configuration mode.
<b>Step 7</b>	<b>vrf forwarding vrf-name</b> <b>Example:</b>	Associates the VRF with the Layer 3 interface.

	Command or Action	Purpose
	Device (config-if) # <b>vrf forwarding A</b>	
<b>Step 8</b>	<b>ip address</b> <i>ip-address subnet-mask</i> <b>Example:</b> Device (config-if) # <b>ip address 1.1.1.2 255.255.255.0</b>	Enter the IP address for the interface.
<b>Step 9</b>	<b>exit</b> <b>Example:</b> Device (config-if) <b>exit</b>	Exits the interface configuration mode.

## Configuring VRF-Aware Services for uRPF

uRPF can be configured on an interface assigned to a VRF, and source lookup is done in the VRF table.

### Procedure

	Command or Action	Purpose
<b>Step 1</b>	<b>enable</b> <b>Example:</b> Device> <b>enable</b>	Enables privileged EXEC mode. Enter your password if prompted.
<b>Step 2</b>	<b>configure terminal</b> <b>Example:</b> Device# <b>configure terminal</b>	Enters global configuration mode.
<b>Step 3</b>	<b>interface</b> <i>interface-id</i> <b>Example:</b> Device (config) # <b>interface gigabitethernet 1/0/1</b>	Enters interface configuration mode, and specifies the Layer 3 interface to configure.
<b>Step 4</b>	<b>no switchport</b> <b>Example:</b> Device (config-if) # <b>no switchport</b>	Removes the interface from Layer 2 configuration mode if it is a physical interface.
<b>Step 5</b>	<b>ip vrf forwarding</b> <i>vrf-name</i> <b>Example:</b> Device (config-if) # <b>ip vrf forwarding vpn2</b>	Configures VRF on the interface.
<b>Step 6</b>	<b>ip address</b> <i>ip-address</i> <b>Example:</b>	Enters the IP address for the interface.

	Command or Action	Purpose
	<code>Device(config-if)#ip address 10.1.5.1</code>	
<b>Step 7</b>	<b>ip verify unicast reverse-path</b> <b>Example:</b> <code>Device(config-if)#ip verify unicast reverse-path</code>	Enables uRPF on the interface.
<b>Step 8</b>	<b>end</b> <b>Example:</b> <code>Device(config-if)#end</code>	Returns to privileged EXEC mode.

## Configuring VRF-Aware RADIUS

To configure VRF-Aware RADIUS, you must first enable AAA on a RADIUS server. The switch supports the **ip vrf forwarding** *vrf-name* server-group configuration and the **ip radius source-interface** global configuration commands, as described in the *Per VRF AAA Feature Guide*.

## Configuring VRF-Aware Services for Syslog

### Procedure

	Command or Action	Purpose
<b>Step 1</b>	<b>enable</b> <b>Example:</b> <code>Device&gt;enable</code>	Enables privileged EXEC mode. Enter your password if prompted.
<b>Step 2</b>	<b>configure terminal</b> <b>Example:</b> <code>Device#configure terminal</code>	Enters global configuration mode.
<b>Step 3</b>	<b>logging on</b> <b>Example:</b> <code>Device(config)#logging on</code>	Enables or temporarily disables logging of storage router event message.
<b>Step 4</b>	<b>logging host ip-address vrf vrf-name</b> <b>Example:</b> <code>Device(config)#logging host 10.10.1.0 vrf vpn1</code>	Specifies the host address of the syslog server where logging messages are to be sent.

	Command or Action	Purpose
<b>Step 5</b>	<b>logging buffered</b> <i>logging buffered size</i> <b>debugging</b> <b>Example:</b> Device (config)# <b>logging buffered critical</b> <b>6000 debugging</b>	Logs messages to an internal buffer.
<b>Step 6</b>	<b>logging trap debugging</b> <b>Example:</b> Device (config)# <b>logging trap debugging</b>	Limits the logging messages sent to the syslog server.
<b>Step 7</b>	<b>logging facility</b> <i>facility</i> <b>Example:</b> Device (config)# <b>logging facility user</b>	Sends system logging messages to a logging facility.
<b>Step 8</b>	<b>end</b> <b>Example:</b> Device (config-if)# <b>end</b>	Returns to privileged EXEC mode.

## Configuring VRF-Aware Services for Traceroute

### Procedure

	Command or Action	Purpose
<b>Step 1</b>	<b>traceroute vrf</b> <i>vrf-name ipaddress</i> <b>Example:</b> Device (config)# <b>traceroute vrf vpn2</b> <b>10.10.1.1</b>	Specifies the name of a VPN VRF in which to find the destination address.

## Configuring VRF-Aware Services for FTP and TFTP

So that FTP and TFTP are VRF-aware, you must configure some FTP/TFTP CLIs. For example, if you want to use a VRF table that is attached to an interface, say E1/0, you need to configure the **ip tftp source-interface E1/0** or the **ip ftp source-interface E1/0** command to inform TFTP or FTP server to use a specific routing table. In this example, the VRF table is used to look up the destination IP address. These changes are backward-compatible and do not affect existing behavior. That is, you can use the source-interface CLI to send packets out a particular interface even if no VRF is configured on that interface.

## Procedure

	Command or Action	Purpose
<b>Step 1</b>	<b>enable</b> <b>Example:</b> Device> <b>enable</b>	Enables privileged EXEC mode. Enter your password if prompted.
<b>Step 2</b>	<b>configure terminal</b> <b>Example:</b> Device# <b>configure terminal</b>	Enters global configuration mode.
<b>Step 3</b>	<b>ip ftp source-interface</b> <i>interface-type</i> <i>interface-number</i> <b>Example:</b> Device(config)# <b>ip ftp source-interface</b> <b>gigabitethernet 1/0/2</b>	Specifies the source IP address for FTP connections.
<b>Step 4</b>	<b>end</b> <b>Example:</b> Device(config)# <b>end</b>	Returns to privileged EXEC mode.
<b>Step 5</b>	<b>configure terminal</b> <b>Example:</b> Device# <b>configure terminal</b>	Enters global configuration mode.
<b>Step 6</b>	<b>ip tftp source-interface</b> <i>interface-type</i> <i>interface-number</i> <b>Example:</b> Device(config)# <b>ip tftp source-interface</b> <b>gigabitethernet 1/0/2</b>	Specifies the source IP address for TFTP connections.
<b>Step 7</b>	<b>end</b> <b>Example:</b> Device(config)# <b>end</b>	Returns to privileged EXEC mode.

## Monitoring VRF-Aware Services for ARP

### Procedure

	Command or Action	Purpose
<b>Step 1</b>	<b>show ip arp vrf</b> <i>vrf-name</i> <b>Example:</b> Device# <b>show ip arp vrf vpnl</b>	Displays the ARP table in the specified VRF.

## Monitoring VRF-Aware Services for Ping

### Procedure

	Command or Action	Purpose
<b>Step 1</b>	<b>ping vrf</b> <i>vrf-name</i> <b>ip-host</b> <b>Example:</b> Device# <b>ping vrf vpnl ip-host</b>	Displays the ARP table in the specified VRF.

## Monitoring Multi-VRF CE

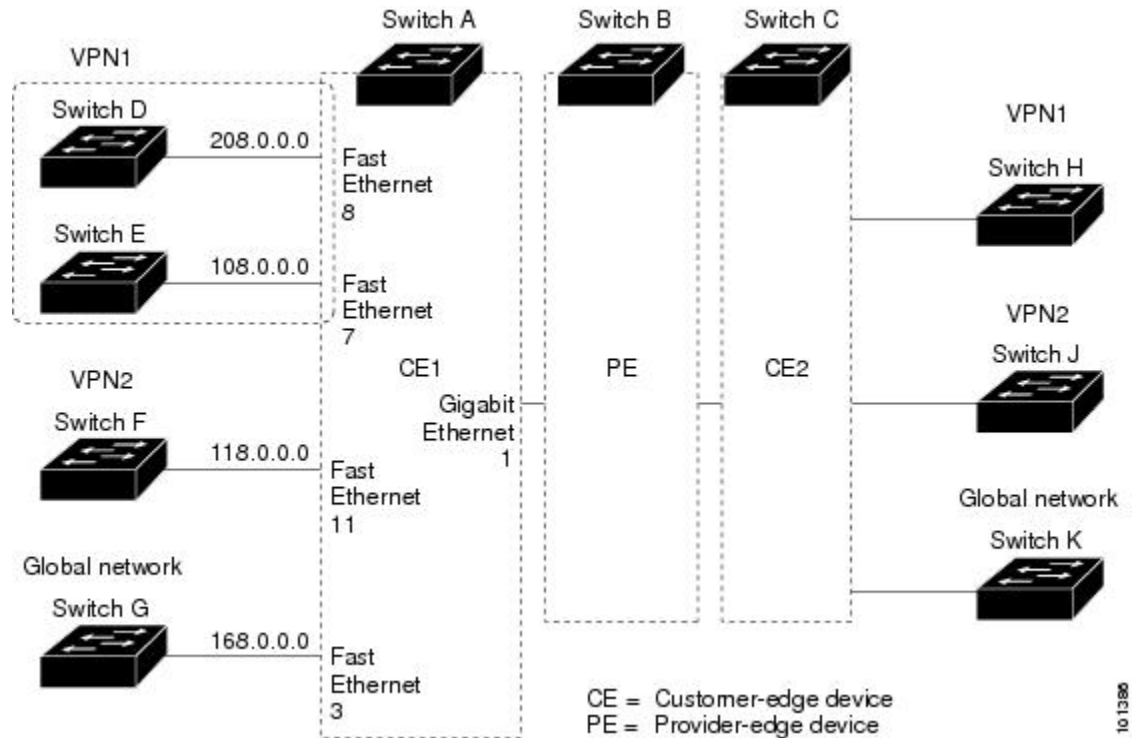
Table 41: Commands for Displaying Multi-VRF CE Information

Command	Purpose
<b>show ip protocols vrf</b> <i>vrf-name</i>	Displays routing protocol information associated with a VRF.
<b>show ip route vrf</b> <i>vrf-name</i> [ <b>connected</b> ] [ <i>protocol</i> [ <i>as-number</i> ]] [ <b>list</b> ] [ <b>mobile</b> ] [ <b>odr</b> ] [ <b>profile</b> ] [ <b>static</b> ] [ <b>summary</b> ] [ <b>supernets-only</b> ]	Displays IP routing table information associated with a VRF.
<b>show ip vrf</b> [ <b>brief</b>   <b>detail</b>   <b>interfaces</b> ] [ <i>vrf-name</i> ]	Displays information about the defined VRF.

## Configuration Example: Multi-VRF CE

OSPF is the protocol used in VPN1, VPN2, and the global network. BGP is used in the CE to PE connections. The examples following the illustration show how to configure a switch as CE Switch A, and the VRF configuration for customer switches D and F. Commands for configuring CE Switch C and the other customer switches are not included but would be similar.

Figure 19: Establishing a Multi-VRF CE Configuration Example



On Switch A, enable routing and configure VRF.

```
Device#configure terminal
Enter configuration commands, one per line. End with CNTL/Z.
Device(config)#ip routing
Device(config)#ip vrf v11
Device(config-vrf)#rd 800:1
Device(config-vrf)#route-target export 800:1
Device(config-vrf)#route-target import 800:1
Device(config-vrf)#exit
Device(config)#ip vrf v12
Device(config-vrf)#rd 800:2
Device(config-vrf)#route-target export 800:2
Device(config-vrf)#route-target import 800:2
Device(config-vrf)#exit
```

Configure the loopback and physical interfaces on Switch A. Gigabit Ethernet port 1 is a trunk connection to the PE. Gigabit Ethernet ports 8 and 11 connect to VPNs:

```
Device(config)#interface loopback1
Device(config-if)#ip vrf forwarding v11
Device(config-if)#ip address 8.8.1.8 255.255.255.0
Device(config-if)#exit

Device(config)#interface loopback2
Device(config-if)#ip vrf forwarding v12
Device(config-if)#ip address 8.8.2.8 255.255.255.0
Device(config-if)#exit

Device(config)#interface gigabitethernet1/0/5
Device(config-if)#switchport trunk encapsulation dot1q
```

```

Device(config-if)#switchport mode trunk
Device(config-if)#no ip address
Device(config-if)#exit
Device(config)#interface gigabitethernet1/0/8
Device(config-if)#switchport access vlan 208
Device(config-if)#no ip address
Device(config-if)#exit
Device(config)#interface gigabitethernet1/0/11
Device(config-if)#switchport trunk encapsulation dot1q
Device(config-if)#switchport mode trunk
Device(config-if)#no ip address
Device(config-if)#exit

```

Configure the VLANs used on Switch A. VLAN 10 is used by VRF 11 between the CE and the PE. VLAN 20 is used by VRF 12 between the CE and the PE. VLANs 118 and 208 are used for the VPNs that include Switch F and Switch D, respectively:

```

Device(config)#interface vlan10
Device(config-if)#ip vrf forwarding v11
Device(config-if)#ip address 38.0.0.8 255.255.255.0
Device(config-if)#exit
Device(config)#interface vlan20
Device(config-if)#ip vrf forwarding v12
Device(config-if)#ip address 83.0.0.8 255.255.255.0
Device(config-if)#exit
Device(config)#interface vlan118
Device(config-if)#ip vrf forwarding v12
Device(config-if)#ip address 118.0.0.8 255.255.255.0
Device(config-if)#exit
Device(config)#interface vlan208
Device(config-if)#ip vrf forwarding v11
Device(config-if)#ip address 208.0.0.8 255.255.255.0
Device(config-if)#exit

```

Configure OSPF routing in VPN1 and VPN2.

```

Device(config)#router ospf 1 vrf v11
Device(config-router)#redistribute bgp 800 subnets
Device(config-router)#network 208.0.0.0 0.0.0.255 area 0
Device(config-router)#exit
Device(config)#router ospf 2 vrf v12
Device(config-router)#redistribute bgp 800 subnets
Device(config-router)#network 118.0.0.0 0.0.0.255 area 0
Device(config-router)#exit

```

Configure BGP for CE to PE routing.

```

Device(config)#router bgp 800
Device(config-router)#address-family ipv4 vrf v12
Device(config-router-af)#redistribute ospf 2 match internal
Device(config-router-af)#neighbor 83.0.0.3 remote-as 100
Device(config-router-af)#neighbor 83.0.0.3 activate
Device(config-router-af)#network 8.8.2.0 mask 255.255.255.0
Device(config-router-af)#exit
Device(config-router)#address-family ipv4 vrf v11
Device(config-router-af)#redistribute ospf 1 match internal
Device(config-router-af)#neighbor 38.0.0.3 remote-as 100
Device(config-router-af)#neighbor 38.0.0.3 activate
Device(config-router-af)#network 8.8.1.0 mask 255.255.255.0
Device(config-router-af)#end

```

Switch D belongs to VPN 1. Configure the connection to Switch A by using these commands.



```

Device#configure terminal
Enter configuration commands, one per line. End with CNTL/Z.
Device(config)#ip routing
Device(config)#interface gigabitethernet1/0/2
Device(config-if)#no switchport
Device(config-if)#ip address 208.0.0.20 255.255.255.0
Device(config-if)#exit

Device(config)#router ospf 101
Device(config-router)#network 208.0.0.0 0.0.0.255 area 0
Device(config-router)#end

```

Switch F belongs to VPN 2. Configure the connection to Switch A by using these commands.

```

Device#configure terminal
Enter configuration commands, one per line. End with CNTL/Z.
Device(config)#ip routing
Device(config)#interface gigabitethernet1/0/1
Device(config-if)#switchport trunk encapsulation dot1q
Device(config-if)#switchport mode trunk
Device(config-if)#no ip address
Device(config-if)#exit

Device(config)#interface vlan118
Device(config-if)#ip address 118.0.0.11 255.255.255.0
Device(config-if)#exit

Device(config)#router ospf 101
Device(config-router)#network 118.0.0.0 0.0.0.255 area 0
Device(config-router)#end

```

When used on switch B (the PE router), these commands configure only the connections to the CE device, Switch A.

```

Device#configure terminal
Enter configuration commands, one per line. End with CNTL/Z.
Device(config)#ip vrf v1
Device(config-vrf)#rd 100:1
Device(config-vrf)#route-target export 100:1
Device(config-vrf)#route-target import 100:1
Device(config-vrf)#exit

Device(config)#ip vrf v2
Device(config-vrf)#rd 100:2
Device(config-vrf)#route-target export 100:2
Device(config-vrf)#route-target import 100:2
Device(config-vrf)#exit
Device(config)#ip cef
Device(config)#interface Loopback1
Device(config-if)#ip vrf forwarding v1
Device(config-if)#ip address 3.3.1.3 255.255.255.0
Device(config-if)#exit

Device(config)#interface Loopback2
Device(config-if)#ip vrf forwarding v2
Device(config-if)#ip address 3.3.2.3 255.255.255.0
Device(config-if)#exit

Device(config)#interface gigabitethernet1/1/0.10
Device(config-if)#encapsulation dot1q 10
Device(config-if)#ip vrf forwarding v1
Device(config-if)#ip address 38.0.0.3 255.255.255.0

```

```

Device(config-if)#exit

Device(config)#interface gigabitethernet1/1/0.20
Device(config-if)#encapsulation dot1q 20
Device(config-if)#ip vrf forwarding v2
Device(config-if)#ip address 83.0.0.3 255.255.255.0
Device(config-if)#exit

Device(config)#router bgp 100
Device(config-router)#address-family ipv4 vrf v2
Device(config-router-af)#neighbor 83.0.0.8 remote-as 800
Device(config-router-af)#neighbor 83.0.0.8 activate
Device(config-router-af)#network 3.3.2.0 mask 255.255.255.0
Device(config-router-af)#exit
Device(config-router)#address-family ipv4 vrf v1
Device(config-router-af)#neighbor 38.0.0.8 remote-as 800
Device(config-router-af)#neighbor 38.0.0.8 activate
Device(config-router-af)#network 3.3.1.0 mask 255.255.255.0
Device(config-router-af)#end

```

## Feature History for Multi-VRF CE

This table provides release and related information for the features explained in this module.

These features are available in all the releases subsequent to the one they were introduced in, unless noted otherwise.

Release	Feature	Feature Information
Cisco IOS XE Everest 16.5.1a	Multi-VRF CE	The switch supports multiple VPN routing/forwarding (multi-VRF) instances in customer edge (CE) devices (multi-VRF CE).  Support for this feature was introduced only on the C9500-12Q, C9500-16X, C9500-24Q, C9500-40X models of the Cisco Catalyst 9500 Series Switches.
Cisco IOS XE Fuji 16.8.1a	Multi-VRF CE	The switch supports multiple VPN routing/forwarding (multi-VRF) instances in customer edge (CE) devices (multi-VRF CE).  Support for this feature was introduced only on the C9500-32C, C9500-32QC, C9500-48Y4C, and C9500-24Y4C models of the Cisco Catalyst 9500 Series Switches.
Cisco IOS XE Cupertino 17.7.1	Multi-VRF CE	Support for this feature was introduced on the C9500X-28C8D model of the Cisco Catalyst 9500 Series Switches.

Use the Cisco Feature Navigator to find information about platform and software image support. To access Cisco Feature Navigator, go to <https://cfng.cisco.com/>





## CHAPTER 37

# Protocol-Independent Features

- [Distributed Cisco Express Forwarding and Load-Balancing Scheme for CEF Traffic](#) , on page 467
- [Number of Equal-Cost Routing Paths](#), on page 472
- [Static Unicast Routes](#), on page 473
- [Default Routes and Networks](#), on page 475
- [Route Maps to Redistribute Routing Information](#), on page 477
- [Policy-Based Routing](#), on page 483
- [Filtering Routing Information](#), on page 487
- [Managing Authentication Keys](#), on page 491
- [Feature History for Protocol-Independent Features](#), on page 493

## Distributed Cisco Express Forwarding and Load-Balancing Scheme for CEF Traffic

The following sections provide information about distributed Cisco express forwarding (CEF) and load-balancing scheme for CEF traffic.

### Restrictions for Configuring a Load-Balancing Scheme for CEF Traffic

- You must globally configure load balancing on device or device stack members in the same way.
- Per-packet load balancing for CEF traffic is not supported.

### Information About Cisco Express Forwarding

Cisco Express Forwarding (CEF) is a Layer 3 IP switching technology used to optimize network performance. CEF implements an advanced IP look-up and forwarding algorithm to deliver maximum Layer 3 switching performance. CEF is less CPU-intensive than fast switching route caching, allowing more CPU processing power to be dedicated to packet forwarding. In a switch stack, the hardware uses distributed CEF (dCEF) in the stack. In dynamic networks, fast switching cache entries are frequently invalidated because of routing changes, which can cause traffic to be process switched using the routing table, instead of fast switched using the route cache. CEF and dCEF use the Forwarding Information Base (FIB) lookup table to perform destination-based switching of IP packets.

The two main components in CEF and dCEF are the distributed FIB and the distributed adjacency tables.

- The FIB is similar to a routing table or information base and maintains a mirror image of the forwarding information in the IP routing table. When routing or topology changes occur in the network, the IP routing table is updated, and those changes are reflected in the FIB. The FIB maintains next-hop address information based on the information in the IP routing table. Because the FIB contains all known routes that exist in the routing table, CEF eliminates route cache maintenance, is more efficient for switching traffic, and is not affected by traffic patterns.
- Nodes in the network are said to be adjacent if they can reach each other with a single hop across a link layer. CEF uses adjacency tables to prepend Layer 2 addressing information. The adjacency table maintains Layer 2 next-hop addresses for all FIB entries.

Because the switch or switch stack uses Application Specific Integrated Circuits (ASICs) to achieve Gigabit-speed line rate IP traffic, CEF or dCEF forwarding applies only to the software-forwarding path, that is, traffic that is forwarded by the CPU.

## CEF Load-Balancing Overview

CEF load balancing allows you to optimize resources by distributing traffic over multiple paths. CEF load balancing works based on a combination of source and destination packet information.

You can configure load balancing on a per-destination. Because load-balancing decisions are made on the outbound interface, load balancing must be configured on the outbound interface.

## Per-Destination Load Balancing for CEF Traffic

Per-destination load balancing allows the device to use multiple paths to achieve load sharing across multiple source-destination host pairs. Packets for a given source-destination host pair are guaranteed to take the same path, even if multiple paths are available. Traffic streams destined for different pairs tend to take different paths.

Per-destination load balancing is enabled by default when you enable CEF. To use per-destination load balancing, you do not perform any additional tasks once CEF is enabled. Per-destination is the load-balancing method of choice for most situations.

Because per-destination load balancing depends on the statistical distribution of traffic, load sharing becomes more effective as the number of source-destination host pairs increases.

You can use per-destination load balancing to ensure that packets for a given host pair arrive in order. All packets intended for a certain host pair are routed over the same link (or links).

## Load-Balancing Algorithms for CEF Traffic

The following load-balancing algorithms are provided for use with CEF traffic. Select a load-balancing algorithm with the **ip cef load-sharing algorithm** command.

- Original algorithm—The original load-balancing algorithm produces distortions in load sharing across multiple devices because the same algorithm was used on every device. Depending on your network environment, you should select the algorithm.
- Universal algorithm—The universal load-balancing algorithm allows each device on the network to make a different load sharing decision for each source-destination address pair, which resolves load-sharing imbalances. The device is set to perform universal load sharing by default.

## How to Configure Cisco Express Forwarding

CEF or distributed CEF is enabled globally by default. If for some reason it is disabled, you can re-enable it by using the `ip cef` or `ip cef distributed` global configuration command.

### Procedure

	Command or Action	Purpose
<b>Step 1</b>	<b>configure terminal</b> <b>Example:</b>  Device# <code>configure terminal</code>	Enters global configuration mode.
<b>Step 2</b>	<b>ip cef</b> <b>Example:</b>  Device(config)# <code>ip cef</code>	Enables CEF operation on a non-stacking switch.  Go to Step 4.
<b>Step 3</b>	<b>ip cef distributed</b> <b>Example:</b>  Device(config)# <code>ip cef distributed</code>	Enables CEF operation on a active switch.
<b>Step 4</b>	<b>interface <i>interface-id</i></b> <b>Example:</b>  Device(config)# <code>interface</code> <code>gigabitethernet 1/0/1</code>	Enters interface configuration mode, and specifies the Layer 3 interface to configure.
<b>Step 5</b>	<b>ip route-cache cef</b> <b>Example:</b>  Device(config-if)# <code>ip route-cache cef</code>	Enables CEF on the interface for software-forwarded traffic.  <b>Note</b> The <code>ip route-cache cef</code> command is enabled by default and it cannot be disabled.
<b>Step 6</b>	<b>end</b> <b>Example:</b>  Device(config-if)# <code>end</code>	Returns to privileged EXEC mode.
<b>Step 7</b>	<b>show ip cef</b> <b>Example:</b>  Device# <code>show ip cef</code>	Displays the CEF status on all interfaces.
<b>Step 8</b>	<b>show cef linecard [detail]</b> <b>Example:</b>	(Optional) Displays CEF-related interface information on a non-stacking switch.

	Command or Action	Purpose
	Device# <code>show cef linecard detail</code>	
<b>Step 9</b>	<b>show cef linecard</b> [ <i>slot-number</i> ] [ <b>detail</b> ] <b>Example:</b> Device# <code>show cef linecard 5 detail</code>	(Optional) Displays CEF-related interface information on a switch by stack member for all switches in the stack or for the specified switch.  (Optional) For <i>slot-number</i> , enter the stack member switch number.
<b>Step 10</b>	<b>show cef interface</b> [ <i>interface-id</i> ] <b>Example:</b> Device# <code>show cef interface gigabitethernet 1/0/1</code>	Displays detailed CEF information for all interfaces or the specified interface.
<b>Step 11</b>	<b>show adjacency</b> <b>Example:</b> Device# <code>show adjacency</code>	Displays CEF adjacency table information.
<b>Step 12</b>	<b>copy running-config startup-config</b> <b>Example:</b> Device# <code>copy running-config startup-config</code>	(Optional) Saves your entries in the configuration file.

## How to Configure a Load-Balancing for CEF Traffic

The following sections provide information on configuring load-balancing for CEF traffic.

### Enabling or Disabling CEF Per-Destination Load Balancing

To enable or disable CEF per-destination load balancing, perform the following procedure:

#### Procedure

	Command or Action	Purpose
<b>Step 1</b>	<b>enable</b> <b>Example:</b> Device# <code>enable</code>	Enters global configuration mode.
<b>Step 2</b>	<b>configure terminal</b> <b>Example:</b>	Enters global configuration mode.



	Command or Action	Purpose
	Device# <code>configure terminal</code>	
<b>Step 3</b>	<b>interface</b> <i>interface-id</i> <b>Example:</b> Device(config-if)# <code>interface gigabitethernet 1/0/1</code>	Enters interface configuration mode, and specifies the Layer 3 interface to configure.
<b>Step 4</b>	<b>[no] ip load-sharing per-destination</b> <b>Example:</b> Device(config-if)# <code>ip load-sharing per-destination</code>	Enables per-destination load balancing for CEF on the interface.  The <b>no ip load-sharing per-destination</b> command disables per-destination load balancing for CEF on the interface.
<b>Step 5</b>	<b>end</b> <b>Example:</b> Device(config-if)# <code>end</code>	Exits interface configuration mode and returns to privileged EXEC mode.

## Selecting a Tunnel Load-Balancing Algorithm for CEF Traffic

Select the tunnel algorithm when your network environment contains only a few source and destination pairs. The device is set to perform universal load sharing by default.

To select a tunnel load-balancing algorithm for CEF traffic, perform the following procedure:

### Procedure

	Command or Action	Purpose
<b>Step 1</b>	<b>enable</b> <b>Example:</b> Device# <code>enable</code>	Enters global configuration mode.
<b>Step 2</b>	<b>configure terminal</b> <b>Example:</b> Device# <code>configure terminal</code>	Enters global configuration mode.
<b>Step 3</b>	<b>ip cef load-sharing algorithm</b> { <b>original</b>   <b>universal</b> [ <i>id</i> ] } <b>Example:</b> Device(config)# <code>ip cef load-sharing algorithm universal</code>	Selects a CEF load-balancing algorithm. <ul style="list-style-type: none"> <li>The <b>original</b> keyword sets the load-balancing algorithm to the original algorithm, based on a source IP and destination IP hash.</li> </ul>

	Command or Action	Purpose
		<ul style="list-style-type: none"> <li>The <b>universal</b> keyword sets the load-balancing algorithm to one that uses a source IP, destination IP, Layer 3 Protocol, Layer 4 source port, Layer 4 destination port and IPv6 flow label (for IPv6 traffic).</li> <li>The <i>id</i> argument is a fixed identifier.</li> </ul>
<b>Step 4</b>	<b>end</b>  <b>Example:</b>  Device(config)# <b>end</b>	Returns to privileged EXEC mode.

## Example: Enabling or Disabling CEF Per-Destination Load Balancing

Per-destination load balancing is enabled by default when you enable CEF. The following example shows how to disable per-destination load balancing:

```
Device> enable
Device# configure terminal
Device(config)# interface Ethernet1/0/1
Device(config-if)# no ip load-sharing per-destination
Device(config-if)# end
```

## Number of Equal-Cost Routing Paths

The following sections provide information about number of equal-cost routing paths.

### Information About Equal-Cost Routing Paths

When a router has two or more routes to the same network with the same metrics, these routes can be thought of as having an equal cost. The term parallel path is another way to see occurrences of equal-cost routes in a routing table. If a router has two or more equal-cost paths to a network, it can use them concurrently. Parallel paths provide redundancy in case of a circuit failure and also enable a router to load balance packets over the available paths for more efficient use of available bandwidth. Equal-cost routes are supported across switches in a stack.

Even though the router automatically learns about and configures equal-cost routes, you can control the maximum number of parallel paths supported by an IP routing protocol in its routing table. Although the switch software allows a maximum of 32 equal-cost routes, the switch hardware will never use more than 16 paths per route.

## How to Configure Equal-Cost Routing Paths

### Procedure

	Command or Action	Purpose
<b>Step 1</b>	<b>enable</b> <b>Example:</b> Device> <b>enable</b>	Enables privileged EXEC mode. Enter your password if prompted.
<b>Step 2</b>	<b>configure terminal</b> <b>Example:</b> Device# <b>configure terminal</b>	Enters global configuration mode.
<b>Step 3</b>	<b>router {rip   ospf   eigrp}</b> <b>Example:</b> Device(config)# <b>router eigrp</b>	Enters router configuration mode.
<b>Step 4</b>	<b>maximum-paths <i>maximum</i></b> <b>Example:</b> Device(config-router)# <b>maximum-paths 2</b>	Sets the maximum number of parallel paths for the protocol routing table. The range is from 1 to 16; the default is 4 for most IP routing protocols, but only 1 for BGP.
<b>Step 5</b>	<b>end</b> <b>Example:</b> Device(config-router)# <b>end</b>	Returns to privileged EXEC mode.
<b>Step 6</b>	<b>show ip protocols</b> <b>Example:</b> Device# <b>show ip protocols</b>	Verifies the setting in the <i>Maximum path</i> field.
<b>Step 7</b>	<b>copy running-config startup-config</b> <b>Example:</b> Device# <b>copy running-config startup-config</b>	(Optional) Saves your entries in the configuration file.

## Static Unicast Routes

The following sections provide information about static unicast routes.

## Information About Static Unicast Routes

Static unicast routes are user-defined routes that cause packets moving between a source and a destination to take a specified path. Static routes can be important if the router cannot build a route to a particular destination and are useful for specifying a gateway of last resort to which all unroutable packets are sent.

The switch retains static routes until you remove them. However, you can override static routes with dynamic routing information by assigning administrative distance values. Each dynamic routing protocol has a default administrative distance, as listed in Table 41-16. If you want a static route to be overridden by information from a dynamic routing protocol, set the administrative distance of the static route higher than that of the dynamic protocol.

**Table 42: Dynamic Routing Protocol Default Administrative Distances**

Route Source	Default Distance
Connected interface	0
Static route	1
Enhanced IRGP summary route	5
Internal Enhanced IGRP	90
IGRP	100
OSPF	110
Internal BGP	200
Unknown	225

Static routes that point to an interface are advertised through RIP, IGRP, and other dynamic routing protocols, whether or not static **redistribute** router configuration commands were specified for those routing protocols. These static routes are advertised because static routes that point to an interface are considered in the routing table to be connected and hence lose their static nature. However, if you define a static route to an interface that is not one of the networks defined in a network command, no dynamic routing protocols advertise the route unless a **redistribute** static command is specified for these protocols.

When an interface goes down, all static routes through that interface are removed from the IP routing table. When the software can no longer find a valid next hop for the address specified as the forwarding router's address in a static route, the static route is also removed from the IP routing table.

## Configuring Static Unicast Routes

Static unicast routes are user-defined routes that cause packets moving between a source and a destination to take a specified path. Static routes can be important if the router cannot build a route to a particular destination and are useful for specifying a gateway of last resort to which all unroutable packets are sent.

Follow these steps to configure a static route:

## Procedure

	Command or Action	Purpose
<b>Step 1</b>	<b>enable</b> <b>Example:</b> Device> <b>enable</b>	Enables privileged EXEC mode. <ul style="list-style-type: none"> <li>• Enter your password if prompted.</li> </ul>
<b>Step 2</b>	<b>configure terminal</b> <b>Example:</b> Device# <b>configure terminal</b>	Enters global configuration mode.
<b>Step 3</b>	<b>ip route prefix mask {address   interface} [distance]</b> <b>Example:</b> Device(config)# <b>ip route prefix mask gigabitethernet 1/0/4</b>	Establish a static route.
<b>Step 4</b>	<b>end</b> <b>Example:</b> Device(config)# <b>end</b>	Returns to privileged EXEC mode.
<b>Step 5</b>	<b>show ip route</b> <b>Example:</b> Device# <b>show ip route</b>	Displays the current state of the routing table to verify the configuration.
<b>Step 6</b>	<b>copy running-config startup-config</b> <b>Example:</b> Device# <b>copy running-config startup-config</b>	(Optional) Saves your entries in the configuration file.

## What to do next

Use the **no ip route prefix mask {address| interface}** global configuration command to remove a static route. The device retains static routes until you remove them.

## Default Routes and Networks

The following sections provides information about default routes and networks.

## Information About Default Routes and Networks

A router might not be able to learn the routes to all other networks. To provide complete routing capability, you can use some routers as smart routers and give the remaining routers default routes to the smart router. (Smart routers have routing table information for the entire internetwork.) These default routes can be dynamically learned or can be configured in the individual routers. Most dynamic interior routing protocols include a mechanism for causing a smart router to generate dynamic default information that is then forwarded to other routers.

If a router has a directly connected interface to the specified default network, the dynamic routing protocols running on that device generate a default route. In RIP, it advertises the pseudonetwork 0.0.0.0.

A router that is generating the default for a network also might need a default of its own. One way a router can generate its own default is to specify a static route to the network 0.0.0.0 through the appropriate device.

When default information is passed through a dynamic routing protocol, no further configuration is required. The system periodically scans its routing table to choose the optimal default network as its default route. In IGRP networks, there might be several candidate networks for the system default. Cisco routers use administrative distance and metric information to set the default route or the gateway of last resort.

If dynamic default information is not being passed to the system, candidates for the default route are specified with the **ip default-network** global configuration command. If this network appears in the routing table from any source, it is flagged as a possible choice for the default route. If the router has no interface on the default network, but does have a path to it, the network is considered as a possible candidate, and the gateway to the best default path becomes the gateway of last resort.

## How to Configure Default Routes and Networks

To configure default routes and networks, perform the following steps:

### Procedure

	Command or Action	Purpose
<b>Step 1</b>	<b>configure terminal</b>  <b>Example:</b>  Device# <b>configure terminal</b>	Enters global configuration mode.
<b>Step 2</b>	<b>ip default-network</b> <i>network number</i>  <b>Example:</b>  Device(config)# <b>ip default-network 1</b>	Specifies a default network.
<b>Step 3</b>	<b>end</b>  <b>Example:</b>  Device(config)# <b>end</b>	Returns to privileged EXEC mode.
<b>Step 4</b>	<b>show ip route</b>  <b>Example:</b>	Displays the selected default route in the gateway of last resort display.

	Command or Action	Purpose
	Device# <code>show ip route</code>	
<b>Step 5</b>	<b>copy running-config startup-config</b>  <b>Example:</b>  Device# <code>copy running-config startup-config</code>	(Optional) Saves your entries in the configuration file.

## Route Maps to Redistribute Routing Information

The following sections provide information about route maps to redistribute routing information.

### Information About Route Maps

The switch can run multiple routing protocols simultaneously, and it can redistribute information from one routing protocol to another. Redistributing information from one routing protocol to another applies to all supported IP-based routing protocols.

You can also conditionally control the redistribution of routes between routing domains by defining enhanced packet filters or route maps between the two domains. The **match** and **set** route-map configuration commands define the condition portion of a route map. The **match** command specifies that a criterion must be matched. The **set** command specifies an action to be taken if the routing update meets the conditions defined by the match command. Although redistribution is a protocol-independent feature, some of the **match** and **set** route-map configuration commands are specific to a particular protocol.

One or more **match** commands and one or more **set** commands follow a **route-map** command. If there are no **match** commands, everything matches. If there are no **set** commands, nothing is done, other than the match. Therefore, you need at least one **match** or **set** command.



**Note** A route map with no **set** route-map configuration commands is sent to the CPU, which causes high CPU utilization.

You can also identify route-map statements as **permit** or **deny**. If the statement is marked as a deny, the packets meeting the match criteria are sent back through the normal forwarding channels (destination-based routing). If the statement is marked as permit, set clauses are applied to packets meeting the match criteria. Packets that do not meet the match criteria are forwarded through the normal routing channel.

### How to Configure a Route Map

Although each of Steps 3 through 14 in the following section is optional, you must enter at least one **match** route-map configuration command and one **set** route-map configuration command.



**Note** The keywords are the same as defined in the procedure to control the route distribution.

## Procedure

	Command or Action	Purpose
<b>Step 1</b>	<b>configure terminal</b> <b>Example:</b> Device# <b>configure terminal</b>	Enters global configuration mode.
<b>Step 2</b>	<b>route-map</b> <i>map-tag</i> [ <b>permit</b>   <b>deny</b> ] [ <i>sequence number</i> ] <b>Example:</b> Device (config)# <b>route-map rip-to-ospf permit 4</b>	Defines any route maps used to control redistribution and enter route-map configuration mode.  <i>map-tag</i> —A meaningful name for the route map. The <b>redistribute</b> router configuration command uses this name to reference this route map. Multiple route maps might share the same map tag name.  (Optional) If <b>permit</b> is specified and the match criteria are met for this route map, the route is redistributed as controlled by the set actions. If <b>deny</b> is specified, the route is not redistributed.  <i>sequence number</i> (Optional)— Number that indicates the position a new route map is to have in the list of route maps already configured with the same name.
<b>Step 3</b>	<b>match as-path</b> <i>path-list-number</i> <b>Example:</b> Device (config-route-map)# <b>match as-path 10</b>	Matches a BGP AS path access list.
<b>Step 4</b>	<b>match community-list</b> <i>community-list-number</i> [ <b>exact</b> ] <b>Example:</b> Device (config-route-map)# <b>match community-list 150</b>	Matches a BGP community list.
<b>Step 5</b>	<b>match ip address</b> { <i>access-list-number</i>   <i>access-list-name</i> } [... <i>access-list-number</i>   ... <i>access-list-name</i> ] <b>Example:</b> Device (config-route-map)# <b>match ip address 5 80</b>	Matches a standard access list by specifying the name or number. It can be an integer from 1 to 199.



	Command or Action	Purpose
<b>Step 6</b>	<b>match metric</b> <i>metric-value</i> <b>Example:</b> Device (config-route-map) # <b>match metric</b> <b>2000</b>	Matches the specified route metric. The <i>metric-value</i> can be an EIGRP metric with a specified value from 0 to 4294967295.
<b>Step 7</b>	<b>match ip next-hop</b> { <i>access-list-number</i>   <i>access-list-name</i> } [... <i>access-list-number</i>   ... <i>access-list-name</i> ] <b>Example:</b> Device (config-route-map) # <b>match ip</b> <b>next-hop 8 45</b>	Matches a next-hop router address passed by one of the access lists specified (numbered from 1 to 199).
<b>Step 8</b>	<b>match tag</b> <i>tag value</i> [... <i>tag-value</i> ] <b>Example:</b> Device (config-route-map) # <b>match tag 3500</b>	Matches the specified tag value in a list of one or more route tag values. Each can be an integer from 0 to 4294967295.
<b>Step 9</b>	<b>match interface</b> <i>type number</i> [... <i>type-number</i> ] <b>Example:</b> Device (config-route-map) # <b>match</b> <b>interface gigabitethernet 1/0/1</b>	Matches the specified next hop route out one of the specified interfaces.
<b>Step 10</b>	<b>match ip route-source</b> { <i>access-list-number</i>   <i>access-list-name</i> } [... <i>access-list-number</i>   ... <i>access-list-name</i> ] <b>Example:</b> Device (config-route-map) # <b>match ip</b> <b>route-source 10 30</b>	Matches the address specified by the specified advertised access lists.
<b>Step 11</b>	<b>match route-type</b> { <b>local</b>   <b>internal</b>   <b>external</b> [ <b>type-1</b>   <b>type-2</b> ]} <b>Example:</b> Device (config-route-map) # <b>match</b> <b>route-type local</b>	Matches the specified <b>route-type</b> : <ul style="list-style-type: none"> <li>• <b>local</b>—Locally generated BGP routes.</li> <li>• <b>internal</b>—OSPF intra-area and interarea routes or EIGRP internal routes.</li> <li>• <b>external</b>—OSPF external routes (Type 1 or Type 2) or EIGRP external routes.</li> </ul>
<b>Step 12</b>	<b>set dampening</b> <i>halflife reuse suppress</i> <i>max-suppress-time</i> <b>Example:</b> Device (config-route-map) # <b>set dampening</b> <b>30 1500 10000 120</b>	Sets BGP route dampening factors.

	Command or Action	Purpose
<b>Step 13</b>	<b>set local-preference</b> <i>value</i> <b>Example:</b> <pre>Device(config-route-map)# set local-preference 100</pre>	Assigns a value to a local BGP path.
<b>Step 14</b>	<b>set origin</b> { <b>igp</b>   <b>egp</b> <i>as</i>   <b>incomplete</b> } <b>Example:</b> <pre>Device(config-route-map)# set origin igp</pre>	Sets the BGP origin code.
<b>Step 15</b>	<b>set as-path</b> { <b>tag</b>   <b>prepend</b> <i>as-path-string</i> } <b>Example:</b> <pre>Device(config-route-map)# set as-path tag</pre>	Modifies the BGP autonomous system path.
<b>Step 16</b>	<b>set level</b> { <b>level-1</b>   <b>level-2</b>   <b>level-1-2</b>   <b>stub-area</b>   <b>backbone</b> } <b>Example:</b> <pre>Device(config-route-map)# set level level-1-2</pre>	Sets the level for routes that are advertised into the specified area of the routing domain. The <b>stub-area</b> and <b>backbone</b> are OSPF NSSA and backbone areas.
<b>Step 17</b>	<b>set metric</b> <i>metric value</i> <b>Example:</b> <pre>Device(config-route-map)# set metric 100</pre>	Sets the metric value to give the redistributed routes (for EIGRP only). The <i>metric value</i> is an integer from -294967295 to 294967295.
<b>Step 18</b>	<b>set metric</b> <i>bandwidth delay reliability loading</i> <i>mtu</i> <b>Example:</b> <pre>Device(config-route-map)# set metric 10000 10 255 1 1500</pre>	Sets the metric value to give the redistributed routes (for EIGRP only): <ul style="list-style-type: none"> <li>• <i>bandwidth</i>—Metric value or IGRP bandwidth of the route in kilobits per second in the range 0 to 4294967295</li> <li>• <i>delay</i>—Route delay in tens of microseconds in the range 0 to 4294967295.</li> <li>• <i>reliability</i>—Likelihood of successful packet transmission expressed as a number between 0 and 255, where 255 means 100 percent reliability and 0 means no reliability.</li> <li>• <i>loading</i>—Effective bandwidth of the route expressed as a number from 0 to 255 (255 is 100 percent loading).</li> </ul>

	Command or Action	Purpose
		<ul style="list-style-type: none"> <li><i>mtu</i>—Minimum maximum transmission unit (MTU) size of the route in bytes in the range 0 to 4294967295.</li> </ul>
<b>Step 19</b>	<b>set metric-type {type-1   type-2}</b> <b>Example:</b> <pre>Device(config-route-map)# set metric-type type-2</pre>	Sets the OSPF external metric type for redistributed routes.
<b>Step 20</b>	<b>set metric-type internal</b> <b>Example:</b> <pre>Device(config-route-map)# set metric-type internal</pre>	Sets the multi-exit discriminator (MED) value on prefixes advertised to external BGP neighbor to match the IGP metric of the next hop.
<b>Step 21</b>	<b>set weight <i>number</i></b> <b>Example:</b> <pre>Device(config-route-map)# set weight 100</pre>	Sets the BGP weight for the routing table. The value can be from 1 to 65535.
<b>Step 22</b>	<b>end</b> <b>Example:</b> <pre>Device(config-route-map)# end</pre>	Returns to privileged EXEC mode.
<b>Step 23</b>	<b>show route-map</b> <b>Example:</b> <pre>Device# show route-map</pre>	Displays all route maps configured or only the one specified to verify configuration.
<b>Step 24</b>	<b>copy running-config startup-config</b> <b>Example:</b> <pre>Device# copy running-config startup-config</pre>	(Optional) Saves your entries in the configuration file.

## How to Control Route Distribution

Although each of Steps 3 through 14 in the following section is optional, you must enter at least one **match** route-map configuration command and one **set** route-map configuration command.



**Note** The keywords are the same as defined in the procedure to configure the route map for redistribution.

The metrics of one routing protocol do not necessarily translate into the metrics of another. For example, the RIP metric is a hop count, and the IGRP metric is a combination of five qualities. In these situations, an artificial metric is assigned to the redistributed route. Uncontrolled exchanging of routing information between different routing protocols can create routing loops and seriously degrade network operation.

If you have not defined a default redistribution metric that replaces metric conversion, some automatic metric translations occur between routing protocols:

- RIP can automatically redistribute static routes. It assigns static routes a metric of 1 (directly connected).
- Any protocol can redistribute other routing protocols if a default mode is in effect.

### Procedure

	Command or Action	Purpose
<b>Step 1</b>	<b>configure terminal</b>  <b>Example:</b>  Device# <b>configure terminal</b>	Enters global configuration mode.
<b>Step 2</b>	<b>router {rip   ospf   eigrp}</b>  <b>Example:</b>  Device(config)# <b>router eigrp 10</b>	Enters router configuration mode.
<b>Step 3</b>	<b>redistribute protocol [process-id] {level-1   level-1-2   level-2} [metric metric-value] [metric-type type-value] [match internal   external type-value] [tag tag-value] [route-map map-tag] [weight weight] [subnets]</b>  <b>Example:</b>  Device(config-router)# <b>redistribute eigrp 1</b>	Redistributes routes from one routing protocol to another routing protocol. If no route-maps are specified, all routes are redistributed. If the keyword <b>route-map</b> is specified with no <i>map-tag</i> , no routes are distributed.
<b>Step 4</b>	<b>default-metric number</b>  <b>Example:</b>  Device(config-router)# <b>default-metric 1024</b>	Cause the current routing protocol to use the same metric value for all redistributed routes (RIP and OSPF).
<b>Step 5</b>	<b>default-metric bandwidth delay reliability loading mtu</b>  <b>Example:</b>  Device(config-router)# <b>default-metric 1000 100 250 100 1500</b>	Cause the EIGRP routing protocol to use the same metric value for all non-EIGRP redistributed routes.

	Command or Action	Purpose
<b>Step 6</b>	<b>end</b> <b>Example:</b>  Device(config-router)# <b>end</b>	Returns to privileged EXEC mode.
<b>Step 7</b>	<b>show route-map</b> <b>Example:</b>  Device# <b>show route-map</b>	Displays all route maps configured or only the one specified to verify configuration.
<b>Step 8</b>	<b>copy running-config startup-config</b> <b>Example:</b>  Device# <b>copy running-config startup-config</b>	(Optional) Saves your entries in the configuration file.

## Policy-Based Routing

### Restrictions for Configuring Policy-based Routing

- PBR is not supported on GRE tunnel itself (applied under the GRE tunnel itself).
- PBR does not apply to fragmented traffic. Fragmented traffic will follow a normal routing path.
- PBR and Network Address Translation (NAT) are not supported on the same interface. PBR and NAT work together only if they are configured on different interfaces.

### Information About Policy-Based Routing

You can use policy-based routing (PBR) to configure a defined policy for traffic flows. By using PBR, you can have more control over routing by reducing the reliance on routes derived from routing protocols. PBR can specify and implement routing policies that allow or deny paths based on:

- Identity of a particular end system
- Application
- Protocol

You can use PBR to provide equal-access and source-sensitive routing, routing based on interactive versus batch traffic, or routing based on dedicated links. For example, you could transfer stock records to a corporate office on a high-bandwidth, high-cost link for a short time while transmitting routine application data such as e-mail over a low-bandwidth, low-cost link.

With PBR, you classify traffic using access control lists (ACLs) and then make traffic go through a different path. PBR is applied to incoming packets. All packets received on an interface with PBR enabled are passed

through route maps. Based on the criteria defined in the route maps, packets are forwarded (routed) to the appropriate next hop.

- Route map statement marked as permit is processed as follows:
  - A match command can match on length or multiple ACLs. A route map statement can contain multiple match commands. Logical or algorithm function is performed across all the match commands to reach a permit or deny decision.



---

**Note** The **match length** command is not supported on Cisco Catalyst 9500X Series Switches.

---

For example:

```
match length A B
match ip address acl1 acl2
match ip address acl3
```

A packet is permitted if it is permitted by match length A B or acl1 or acl2 or acl3

- If the decision reached is permit, then the action specified by the set command is applied on the packet .
- If the decision reached is deny, then the PBR action (specified in the set command) is not applied. Instead the processing logic moves forward to look at the next route-map statement in the sequence (the statement with the next higher sequence number). If no next statement exists, PBR processing terminates, and the packet is routed using the default IP routing table.

You can use standard IP ACLs to specify match criteria for a source address or extended IP ACLs to specify match criteria based on an application, a protocol type, or an end station. The process proceeds through the route map until a match is found. If no match is found, normal destination-based routing occurs. There is an implicit deny at the end of the list of match statements.

If match clauses are satisfied, you can use a set clause to specify the IP addresses identifying the next hop router in the path.

Local PBR configuration supports setting DSCP marking for RADIUS packets generated for device administration purposes.

Starting with the Cisco IOS XE Cupertino 17.7.1 release, PBR can forward traffic into GRE tunnel. This applies to PBR applied on any interface and forwarding traffic into GRE tunnel.

## How to Configure PBR

- To use PBR, you must have the Network Essentials license enabled on the standalone switch or active switch.
- Multicast traffic is not policy-routed. PBR applies only to unicast traffic.
- You can enable PBR on a routed port or an SVI.
- The switch supports PBR based on match length.

- You can apply a policy route map to an EtherChannel port channel in Layer 3 mode, but you cannot apply a policy route map to a physical interface that is a member of the EtherChannel. If you try to do so, the command is rejected. When a policy route map is applied to a physical interface, that interface cannot become a member of an EtherChannel.
- You can define a maximum of 128 IP policy route maps on the switch or switch stack.
- You can define a maximum of 512 access control entries (ACEs) for PBR on the switch or switch stack.
- When configuring match criteria in a route map, follow these guidelines:
  - Do not match ACLs that permit packets destined for a local address.
- Web Cache Communication Protocol (WCCP) and PBR are mutually exclusive on a switch interface. You cannot enable WCCP when PBR is enabled on an interface. The reverse is also true, you cannot enable PBR when WCCP is enabled on an interface.
- The number of hardware entries used by PBR depends on the route map itself, the ACLs used, and the order of the ACLs and route-map entries.
- PBR based on TOS, DSCP and IP Precedence are not supported.
- Set interface, set default next-hop and set default interface are not supported.
- **ip next-hop recursive** and **ip next-hop verify availability** features are not available and the next-hop should be directly connected.
- Policy-maps with no set actions are supported. Matching packets are routed normally.
- Policy-maps with no match clauses are supported. Set actions are applied to all packets.

By default, PBR is disabled on the switch. To enable PBR, you must create a route map that specifies the match criteria and the resulting action. Then, you must enable PBR for that route map on an interface. All packets arriving on the specified interface matching the match clauses are subject to PBR.

Packets that are generated by the switch (CPU), or local packets, are not normally policy-routed. When you globally enable local PBR on the switch, all unicast packets that originate on the switch are subject to local PBR. The protocols that are supported for local PBR are NTP, DNS, MSDP, SYSLOG and TFTP. Local PBR is disabled by default.

### Procedure

	Command or Action	Purpose
<b>Step 1</b>	<b>enable</b> <b>Example:</b> Device> <b>enable</b>	Enables privileged EXEC mode. Enter your password if prompted.
<b>Step 2</b>	<b>configure terminal</b> <b>Example:</b> Device# <b>configure terminal</b>	Enters global configuration mode.

	Command or Action	Purpose
<b>Step 3</b>	<p><b>route-map</b> <i>map-tag</i> [<b>permit</b>] [<i>sequence number</i>]</p> <p><b>Example:</b></p> <pre>Device(config)# route-map pbr-map permit</pre>	<p>Defines route maps that are used to control where packets are output, and enters route-map configuration mode.</p> <ul style="list-style-type: none"> <li>• <i>map-tag</i> – A meaningful name for the route map. The <b>ip policy route-map</b> interface configuration command uses this name to reference the route map. Multiple route-map statements with the same map tag define a single route map.</li> <li>• (Optional) <b>permit</b> – If <b>permit</b> is specified and the match criteria are met for this route map, the route is policy routed as defined by the set actions.</li> <li>• (Optional) <i>sequence number</i> – The sequence number shows the position of the route-map statement in the given route map.</li> </ul>
<b>Step 4</b>	<p><b>match ip address</b> {<i>access-list-number</i>   <i>access-list-name</i>} [<i>access-list-number</i>  ...<i>access-list-name</i>]</p> <p><b>Example:</b></p> <pre>Device(config-route-map)# match ip address 110 140</pre>	<p>Matches the source and destination IP addresses that are permitted by one or more standard or extended access lists. ACLs can match on more than one source and destination IP address.</p> <p>If you do not specify a <b>match</b> command, the route map is applicable to all packets.</p>
<b>Step 5</b>	<p><b>match length min max</b></p> <p><b>Example:</b></p> <pre>Device(config-route-map)# match length 64 1500</pre>	<p>Matches the length of the packet.</p>
<b>Step 6</b>	<p><b>set ip next-hop ip-address</b> [...<i>ip-address</i>]</p> <p><b>Example:</b></p> <pre>Device(config-route-map)# set ip next-hop 10.1.6.2</pre>	<p>Specifies the action to be taken on the packets that match the criteria. Sets next hop to which to route the packet (the next hop must be adjacent).</p> <p>The next hop IP address can be a GRE tunnel.</p>
<b>Step 7</b>	<p><b>exit</b></p> <p><b>Example:</b></p> <pre>Device(config-route-map)# exit</pre>	<p>Returns to global configuration mode.</p>
<b>Step 8</b>	<p><b>interface interface-id</b></p> <p><b>Example:</b></p> <pre>Device(config)# interface gigabitethernet 1/0/1</pre>	<p>Enters interface configuration mode, and specifies the interface to be configured.</p>



	Command or Action	Purpose
<b>Step 9</b>	<b>ip policy route-map</b> <i>map-tag</i> <b>Example:</b> Device(config-if)# <b>ip policy route-map</b> <b>pbr-map</b>	Enables PBR on a Layer 3 interface, and identify the route map to use. You can configure only one route map on an interface. However, you can have multiple route map entries with different sequence numbers. These entries are evaluated in the order of sequence number until the first match. If there is no match, packets are routed as usual.
<b>Step 10</b>	<b>ip route-cache policy</b> <b>Example:</b> Device(config-if)# <b>ip route-cache policy</b>	(Optional) Enables fast-switching PBR. You must enable PBR before enabling fast-switching PBR.
<b>Step 11</b>	<b>exit</b> <b>Example:</b> Device(config-if)# <b>exit</b>	Returns to global configuration mode.
<b>Step 12</b>	<b>ip local policy route-map</b> <i>map-tag</i> <b>Example:</b> Device(config)# <b>ip local policy</b> <b>route-map local-pbr</b>	(Optional) Enables local PBR to perform policy-based routing on packets originating at the switch. This applies to packets generated by the switch, and not to incoming packets.
<b>Step 13</b>	<b>end</b> <b>Example:</b> Device(config)# <b>end</b>	Returns to privileged EXEC mode.
<b>Step 14</b>	<b>show route-map</b> [ <i>map-name</i> ] <b>Example:</b> Device# <b>show route-map</b>	(Optional) Displays all the route maps configured or only the one specified to verify configuration.
<b>Step 15</b>	<b>show ip policy</b> <b>Example:</b> Device# <b>show ip policy</b>	(Optional) Displays policy route maps attached to the interface.
<b>Step 16</b>	<b>show ip local policy</b> <b>Example:</b> Device# <b>show ip local policy</b>	(Optional) Displays whether or not local policy routing is enabled and, if so, the route map being used.

## Filtering Routing Information

You can filter routing protocol information by performing the tasks described in this section.



**Note** When routes are redistributed between OSPF processes, no OSPF metrics are preserved.

## Setting Passive Interfaces

To prevent other routers on a local network from dynamically learning about routes, you can use the **passive-interface** router configuration command to keep routing update messages from being sent through a router interface. When you use this command in the OSPF protocol, the interface address you specify as passive appears as a stub network in the OSPF domain. OSPF routing information is neither sent nor received through the specified router interface.

In networks with many interfaces, to avoid having to manually set them as passive, you can set all interfaces to be passive by default by using the **passive-interface default** router configuration command and manually setting interfaces where adjacencies are desired.

Use a network monitoring privileged EXEC command such as **show ip ospf interface** to verify the interfaces that you enabled as passive, or use the **show ip interface** privileged EXEC command to verify the interfaces that you enabled as active.

### Procedure

	Command or Action	Purpose
<b>Step 1</b>	<b>configure terminal</b> <b>Example:</b>  Device# <b>configure terminal</b>	Enters global configuration mode.
<b>Step 2</b>	<b>router {rip   ospf   eigrp}</b> <b>Example:</b>  Device(config)# <b>router ospf</b>	Enters router configuration mode.
<b>Step 3</b>	<b>passive-interface interface-id</b> <b>Example:</b>  Device(config-router)# <b>passive-interface gigabitethernet 1/0/1</b>	Suppresses sending routing updates through the specified Layer 3 interface.
<b>Step 4</b>	<b>passive-interface default</b> <b>Example:</b>  Device(config-router)# <b>passive-interface default</b>	(Optional) Sets all interfaces as passive by default.
<b>Step 5</b>	<b>no passive-interface interface type</b> <b>Example:</b>  Device(config-router)# <b>no</b>	(Optional) Activates only those interfaces that need to have adjacencies sent.

	Command or Action	Purpose
	<code>passive-interface gigabitethernet1/0/3 gigabitethernet 1/0/5</code>	
<b>Step 6</b>	<b>network</b> <i>network-address</i> <b>Example:</b>  Device(config-router)# <b>network 10.1.1.1</b>	(Optional) Specifies the list of networks for the routing process. The <i>network-address</i> is an IP address.
<b>Step 7</b>	<b>end</b> <b>Example:</b>  Device(config-router)# <b>end</b>	Returns to privileged EXEC mode.
<b>Step 8</b>	<b>copy running-config startup-config</b> <b>Example:</b>  Device# <b>copy running-config startup-config</b>	(Optional) Saves your entries in the configuration file.

## Controlling Advertising and Processing in Routing Updates

You can use the **distribute-list** router configuration command with access control lists to suppress routes from being advertised in routing updates and to prevent other routers from learning one or more routes. When used in OSPF, this feature applies to only external routes, and you cannot specify an interface name.

You can also use a **distribute-list** router configuration command to avoid processing certain routes listed in incoming updates. (This feature does not apply to OSPF.)

### Procedure

	Command or Action	Purpose
<b>Step 1</b>	<b>enable</b> <b>Example:</b>  Device> <b>enable</b>	Enables privileged EXEC mode.  Enter your password if prompted.
<b>Step 2</b>	<b>configure terminal</b> <b>Example:</b>  Device# <b>configure terminal</b>	Enters global configuration mode.
<b>Step 3</b>	<b>router {rip   eigrp}</b> <b>Example:</b>  Device(config)# <b>router eigrp 10</b>	Enters router configuration mode.

	Command or Action	Purpose
<b>Step 4</b>	<b>distribute-list</b> { <i>access-list-number</i>   <i>access-list-name</i> } <b>out</b> [ <i>interface-name</i>   <i>routing process</i>   <i>autonomous-system-number</i> ]  <b>Example:</b>  Device(config-router)# <b>distribute 120 out gigabitethernet 1/0/7</b>	Permits or denies routes from being advertised in routing updates, depending upon the action listed in the access list.
<b>Step 5</b>	<b>distribute-list</b> { <i>access-list-number</i>   <i>access-list-name</i> } <b>in</b> [ <i>type-number</i> ]  <b>Example:</b>  Device(config-router)# <b>distribute-list 125 in</b>	Suppresses processing in routes listed in updates.
<b>Step 6</b>	<b>end</b>  <b>Example:</b>  Device(config-router)# <b>end</b>	Returns to privileged EXEC mode.
<b>Step 7</b>	<b>copy running-config startup-config</b>  <b>Example:</b>  Device# <b>copy running-config startup-config</b>	(Optional) Saves your entries in the configuration file.

## Filtering Sources of Routing Information

Because some routing information might be more accurate than others, you can use filtering to prioritize information coming from different sources. An administrative distance is a rating of the trustworthiness of a routing information source, such as a router or group of routers. In a large network, some routing protocols can be more reliable than others. By specifying administrative distance values, you enable the router to intelligently discriminate between sources of routing information. The router always picks the route whose routing protocol has the lowest administrative distance.

Because each network has its own requirements, there are no general guidelines for assigning administrative distances.

### Procedure

	Command or Action	Purpose
<b>Step 1</b>	<b>enable</b>  <b>Example:</b>  Device> <b>enable</b>	Enables privileged EXEC mode.  Enter your password if prompted.

	Command or Action	Purpose
<b>Step 2</b>	<b>configure terminal</b> <b>Example:</b>  Device# <code>configure terminal</code>	Enters global configuration mode.
<b>Step 3</b>	<b>router {rip   ospf   eigrp}</b> <b>Example:</b>  Device(config)# <code>router eigrp 10</code>	Enters router configuration mode.
<b>Step 4</b>	<b>distance weight {ip-address {ip-address mask}} [ip access list]</b> <b>Example:</b>  Device(config-router)# <code>distance 50 10.1.1.5.1</code>	Defines an administrative distance.  <i>weight</i> —The administrative distance as an integer from 10 to 255. Used alone, <i>weight</i> specifies a default administrative distance that is used when no other specification exists for a routing information source. Routes with a distance of 255 are not installed in the routing table.  (Optional) <i>ip access list</i> —An IP standard or extended access list to be applied to incoming routing updates.
<b>Step 5</b>	<b>end</b> <b>Example:</b>  Device(config-router)# <code>end</code>	Returns to privileged EXEC mode.
<b>Step 6</b>	<b>show ip protocols</b> <b>Example:</b>  Device# <code>show ip protocols</code>	Displays the default administrative distance for a specified routing process.
<b>Step 7</b>	<b>copy running-config startup-config</b> <b>Example:</b>  Device# <code>copy running-config startup-config</code>	(Optional) Saves your entries in the configuration file.

## Managing Authentication Keys

Key management is a method of controlling authentication keys used by routing protocols. Not all protocols can use key management. Authentication keys are available for EIGRP and RIP Version 2.

## Prerequisites

Before you manage authentication keys, you must enable authentication. See the appropriate protocol section to see how to enable authentication for that protocol. To manage authentication keys, define a key chain, identify the keys that belong to the key chain, and specify how long each key is valid. Each key has its own key identifier (specified with the **key number** key chain configuration command), which is stored locally. The combination of the key identifier and the interface associated with the message uniquely identifies the authentication algorithm and Message Digest 5 (MD5) authentication key in use.

## How to Configure Authentication Keys

You can configure multiple keys with life times. Only one authentication packet is sent, regardless of how many valid keys exist. The software examines the key numbers in order from lowest to highest, and uses the first valid key it encounters. The lifetimes allow for overlap during key changes. Note that the router must know these lifetimes.

### Procedure

	Command or Action	Purpose
<b>Step 1</b>	<b>configure terminal</b> <b>Example:</b>  Device# <b>configure terminal</b>	Enters global configuration mode.
<b>Step 2</b>	<b>key chain</b> <i>name-of-chain</i> <b>Example:</b>  Device(config)# <b>key chain key10</b>	Identifies a key chain, and enter key chain configuration mode.
<b>Step 3</b>	<b>key number</b> <b>Example:</b>  Device(config-keychain)# <b>key 2000</b>	Identifies the key number. The range is 0 to 2147483647.
<b>Step 4</b>	<b>key-string</b> <i>text</i> <b>Example:</b>  Device(config-keychain)# <b>Room 20, 10th floor</b>	Identifies the key string. The string can contain from 1 to 80 uppercase and lowercase alphanumeric characters, but the first character cannot be a number.
<b>Step 5</b>	<b>accept-lifetime</b> <i>start-time</i> { <b>infinite</b>   <i>end-time</i>   <i>duration seconds</i> } <b>Example:</b>  Device(config-keychain)# <b>accept-lifetime 12:30:00 Jan 25 1009 infinite</b>	(Optional) Specifies the time period during which the key can be received.  The <i>start-time</i> and <i>end-time</i> syntax can be either <i>hh:mm:ss Month date year</i> or <i>hh:mm:ss date Month year</i> . The default is forever with the default <i>start-time</i> and the earliest acceptable date as January 1, 1993. The default <i>end-time</i> and <b>duration</b> is <b>infinite</b> .

	Command or Action	Purpose
<b>Step 6</b>	<p><b>send-lifetime</b> <i>start-time</i> {<b>infinite</b>   <i>end-time</i>   <b>duration</b> <i>seconds</i>}</p> <p><b>Example:</b></p> <pre>Device(config-keychain)# <b>accept-lifetime</b> 23:30:00 Jan 25 1019 infinite</pre>	<p>(Optional) Specifies the time period during which the key can be sent.</p> <p>The <i>start-time</i> and <i>end-time</i> syntax can be either <i>hh:mm:ss Month date year</i> or <i>hh:mm:ss date Month year</i>. The default is forever with the default <i>start-time</i> and the earliest acceptable date as January 1, 1993. The default <i>end-time</i> and <b>duration</b> is <b>infinite</b>.</p>
<b>Step 7</b>	<p><b>end</b></p> <p><b>Example:</b></p> <pre>Device(config-keychain)# <b>end</b></pre>	Returns to privileged EXEC mode.
<b>Step 8</b>	<p><b>show key chain</b></p> <p><b>Example:</b></p> <pre>Device# <b>show key chain</b></pre>	Displays authentication key information.
<b>Step 9</b>	<p><b>copy running-config startup-config</b></p> <p><b>Example:</b></p> <pre>Device# <b>copy running-config</b> <b>startup-config</b></pre>	(Optional) Saves your entries in the configuration file.

## Feature History for Protocol-Independent Features

This table provides release and related information for the features explained in this module.

These features are available in all the releases subsequent to the one they were introduced in, unless noted otherwise.

Release	Feature	Feature Information
Cisco IOS XE Everest 16.5.1a	Protocol-Independent Features-Distributed Cisco Express Forwarding	<p>Cisco Express Forwarding (CEF) is a Layer 3 IP switching technology used to optimize network performance.</p> <p>Support for this feature was introduced only on the C9500-12Q, C9500-16X, C9500-24Q, C9500-40X models of the Cisco Catalyst 9500 Series Switches.</p>
	Protocol-Independent Features-Policy-Based Routing	<p>Use policy-based routing (PBR) to configure a defined policy for traffic flows. By using PBR, you can have more control over routing by reducing the reliance on routes derived from routing protocols.</p> <p>Support for this feature was introduced only on the C9500-12Q, C9500-16X, C9500-24Q, C9500-40X models of the Cisco Catalyst 9500 Series Switches.</p>
	Protocol-Independent Features-Managing Authentication Keys	<p>Key management is a method of controlling authentication keys used by routing protocols. Authentication keys are available for EIGRP and RIP Version 2.</p> <p>Support for this feature was introduced only on the C9500-12Q, C9500-16X, C9500-24Q, C9500-40X models of the Cisco Catalyst 9500 Series Switches.</p>



Release	Feature	Feature Information
Cisco IOS XE Fuji 16.8.1a	Protocol-Independent Features-Distributed Cisco Express Forwarding	<p>Cisco Express Forwarding (CEF) is a Layer 3 IP switching technology used to optimize network performance.</p> <p>Support for this feature was introduced only on the C9500-32C, C9500-32QC, C9500-48Y4C, and C9500-24Y4C models of the Cisco Catalyst 9500 Series Switches.</p>
	Protocol-Independent Features-Policy-Based Routing	<p>Use policy-based routing (PBR) to configure a defined policy for traffic flows. By using PBR, you can have more control over routing by reducing the reliance on routes derived from routing protocols.</p> <p>Support for this feature was introduced only on the C9500-32C, C9500-32QC, C9500-48Y4C, and C9500-24Y4C models of the Cisco Catalyst 9500 Series Switches.</p>
	Protocol-Independent Features-Managing Authentication Keys	<p>Key management is a method of controlling authentication keys used by routing protocols. Authentication keys are available for EIGRP and RIP Version 2.</p> <p>Support for this feature was introduced only on the C9500-32C, C9500-32QC, C9500-48Y4C, and C9500-24Y4C models of the Cisco Catalyst 9500 Series Switches.</p>

Release	Feature	Feature Information
Cisco IOS XE Cupertino 17.7.1	Protocol-Independent Features-Distributed Cisco Express Forwarding and Managing Authentication Keys	Support for this feature was introduced on the C9500X-28C8D model of the Cisco Catalyst 9500 Series Switches.
	Protocol-Independent Features-PBR support on GRE Tunnel	This feature allows Policy Based Routing (PBR) to forward traffic on a GRE tunnel. With this, you can configure the next-hop IP address for PBR as a GRE tunnel.  Support for this feature was introduced on the C9500-12Q, C9500-16X, C9500-24Q, C9500-40X, C9500-32C, C9500-32QC, C9500-48Y4C, and C9500-24Y4C models of the Cisco Catalyst 9500 Series Switches.

Use the Cisco Feature Navigator to find information about platform and software image support. To access Cisco Feature Navigator, go to <https://cfng.cisco.com/>



## CHAPTER 38

# Configuring VRF-lite

- [Information About VRF-lite, on page 497](#)
- [Guidelines for Configuring VRF-lite, on page 498](#)
- [How to Configure VRF-lite, on page 500](#)
- [Additional Information for VRF-lite, on page 519](#)
- [Verifying VRF-lite Configuration, on page 519](#)
- [Configuration Examples for VRF-lite, on page 520](#)
- [Additional References for VRF-Lite, on page 524](#)
- [Feature History for Multicast VRF-lite, on page 524](#)

## Information About VRF-lite

VRF-lite is a feature that enables a service provider to support two or more VPNs, where IP addresses can be overlapped among the VPNs. VRF-lite uses input interfaces to distinguish routes for different VPNs and forms virtual packet-forwarding tables by associating one or more Layer 3 interfaces with each VRF. Interfaces in a VRF can be either physical, such as Ethernet ports, or logical, such as VLAN SVIs, but a Layer 3 interface cannot belong to more than one VRF at any time.



---

**Note** VRF-lite interfaces must be Layer 3 interfaces.

---

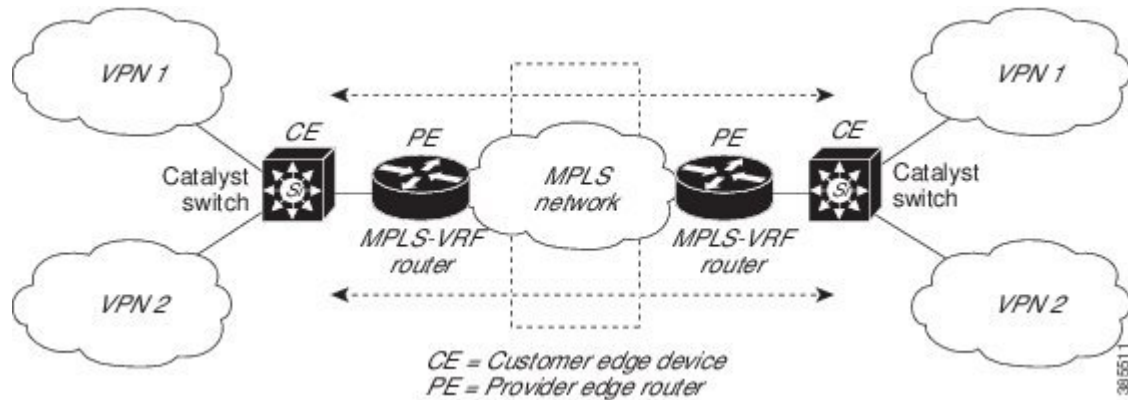
VRF-lite includes these devices:

- Customer edge (CE) devices provide customer access to the service provider network over a data link to one or more provider edge routers. The CE device advertises the site's local routes to the provider edge router and learns the remote VPN routes from it. A Cisco Catalyst Switch can be a CE.
- Provider routers (or core routers) are any routers in the service provider network that do not attach to CE devices.

With VRF-lite, multiple customers can share one CE, and only one physical link is used between the CE and the PE. The shared CE maintains separate VRF tables for each customer and switches or routes packets for each customer based on its own routing table. VRF-lite extends limited PE functionality to a CE device, giving it the ability to maintain separate VRF tables to extend the privacy and security of a VPN to the branch office.

The following figure displays a configuration where each Cisco Catalyst switch acts as multiple virtual CEs. Because VRF-lite is a Layer 3 feature, each interface in a VRF must be a Layer 3 interface.

Figure 20: Cisco Catalyst Switches Acting as Multiple Virtual CEs



This figure illustrates the packet-forwarding process in a VRF-lite CE-enabled network.

- When the CE receives a packet from a VPN, it looks up the routing table based on the input interface. When a route is found, the CE forwards the packet to the PE.
- When the ingress PE receives a packet from the CE, it performs a VRF lookup. When a route is found, the router adds a corresponding MPLS label to the packet and sends it to the MPLS network.
- When an egress PE receives a packet from the network, it strips the label and uses the label to identify the correct VPN routing table. The egress PE then performs the normal route lookup. When a route is found, it forwards the packet to the correct adjacency.
- When a CE receives a packet from an egress PE, it uses the input interface to look up the correct VPN routing table. If a route is found, the CE forwards the packet within the VPN.

To configure VRF, create a VRF table and specify the Layer 3 interface associated with the VRF. You then configure the routing protocols in the VPN and between the CE and the PE. BGP is the preferred routing protocol used to distribute VPN routing information across the providers' backbone. The VRF-lite network has three major components:

- VPN route target communities—Lists all other members of a VPN community. You need to configure VPN route targets for each VPN community member.
- Multiprotocol BGP peering of VPN community PE routers—Propagates VRF reachability information to all members of a VPN community. You need to configure BGP peering in all PE routers within a VPN community.
- VPN forwarding—Transports all traffic between all VPN community members across a VPN service-provider network.

## Guidelines for Configuring VRF-lite

### IPv4 and IPv6

- A switch with VRF-lite is shared by multiple customers, and all customers have their own routing tables.

- Because customers use different VRF tables, you can reuse the same IP addresses. Overlapped IP addresses are allowed in different VPNs.
- VRF-lite lets multiple customers share the same physical link between the PE and the CE. Trunk ports with multiple VLANs separate packets among customers. All customers have their own VLANs.
- For the PE router, there is no difference between using VRF-lite or using multiple CEs. In [Information About VRF-lite, on page 497](#), multiple virtual Layer 3 interfaces are connected to the VRF-lite device.
- The Cisco Catalyst switch supports configuring VRF by using physical ports, VLAN SVIs, or a combination of both. You can connect SVIs through an access port or a trunk port.
- A customer can use multiple VLANs as long because they do not overlap with those of other customers. A customer's VLANs are mapped to a specific routing table ID that is used to identify the appropriate routing tables stored on the switch.
- The Layer 3 TCAM resource is shared between all VRFs. To ensure that any one VRF has sufficient CAM space, use the **maximum routes** command.
- A Cisco Catalyst switch using VRF can support one global network and multiple VRFs. The total number of routes supported is limited by the size of the TCAM.
- A single VRF can be configured for both IPv4 and IPv6.
- If an incoming packet's destination address is not found in the vrf table, the packet is dropped. Also, if insufficient TCAM space exists for a VRF route, hardware switching for that VRF is disabled and the corresponding data packets are sent to software for processing.

### IPv4 Specific

- You can use most routing protocols (BGP, OSPF, EIGRP, RIP and static routing) between the CE and the PE. However, we recommend using external BGP (EBGP) for these reasons:
  - BGP does not require multiple algorithms to communicate with multiple CEs.
  - BGP is designed for passing routing information between systems run by different administrations.
  - BGP makes simplifies passing attributes of the routes to the CE.
- The Cisco Catalyst switch supports PIM-SM and PIM-SSM protocols.
- The **capability vrf-lite** subcommand under **router ospf** should be used when configuring OSPF as the routing protocol between the PE and the CE.

### IPv6 specific

- VRF-aware OSPFv3, BGPv6, EIGRPv6, and IPv6 static routing are supported.
- VRF-aware IPv6 route applications include: ping, telnet, ssh, tftp, ftp and traceroute. (This list does not include the management interface, which is handled differently even though you can configure both IPv4 or IPv6 VRF under it.)

# How to Configure VRF-lite

This section provides information about configuring VRF-lite.

## Configuring VRF-lite for IPv4

This section provides information about configuring VRF-lite for IPv4.

### Configuring VRF-Aware Services

IP services can be configured on global interfaces and within the global routing instance. IP services are enhanced to run on multiple routing instances; they are VRF-aware. Any configured VRF in the system can be specified for a VRF-aware service.

VRF-aware services are implemented in platform-independent modules. VRF provides multiple routing instances in Cisco IOS. Each platform has its own limit on the number of VRFs it supports.

VRF-aware services have the following characteristics:

- The user can ping a host in a user-specified VRF.
- ARP entries are learned in separate VRFs. The user can display Address Resolution Protocol (ARP) entries for specific VRFs.

### Configuring the User Interface for ARP

#### Procedure

	Command or Action	Purpose
<b>Step 1</b>	<b>show ip arp vrf</b> <i>vrf-name</i> <b>Example:</b> Device# show ip arp vrf vrf-name	Displays the ARP table (static and dynamic entries) in the specified VRF.
<b>Step 2</b>	<b>arp vrf</b> <i>vrf-name ip-address mac-address ARPA</i> <b>Example:</b> Device(config)# arp vrf vrf-name ip-address mac-address ARPA	Creates a static ARP entry in the specified VRF.

### Configuring Per-VRF for TACACS+ Servers

The per-VRF for TACACS+ servers feature enables you to configure per-virtual route forwarding (per-VRF) authentication, authorization, and accounting (AAA) on TACACS+ servers.

You can create the VRF routing table (shown in Steps 3 and 4) and configure the interface (Steps 6, 7, and 8). The actual configuration of per-VRF on a TACACS+ server is done in Steps 10 through 13.

#### Before you begin

Before configuring per-VRF on a TACACS+ server, you must have configured AAA and a server group.

## Procedure

	Command or Action	Purpose
<b>Step 1</b>	<b>enable</b> <b>Example:</b> Device> enable	Enables privileged EXEC mode. Enter your password if prompted.
<b>Step 2</b>	<b>configure terminal</b> <b>Example:</b> Device# configure terminal	Enters global configuration mode.
<b>Step 3</b>	<b>vrf definition vrf-name</b> <b>Example:</b> Device(config)# vrf definition vrf-name	Configures a VRF table and enters VRF configuration mode.
<b>Step 4</b>	<b>rd route-distinguisher</b> <b>Example:</b> Device(config-vrf)# rd route-distinguisher	Creates routing and forwarding tables for a VRF instance.
<b>Step 5</b>	<b>exit</b> <b>Example:</b> Device(config-vrf)# exit	Exits VRF configuration mode.
<b>Step 6</b>	<b>interface interface-name</b> <b>Example:</b> Device(config)# interface interface-name	Configures an interface and enters interface configuration mode.
<b>Step 7</b>	<b>vrf forwarding vrf-name</b> <b>Example:</b> Device(config-if)# vrf forwarding vrf-name	Configures a VRF for the interface.
<b>Step 8</b>	<b>ip address ip-address mask [secondary]</b> <b>Example:</b> Device(config-if)# ip address ip-address mask [secondary]	Sets a primary or secondary IP address for an interface.
<b>Step 9</b>	<b>exit</b> <b>Example:</b> Device(config-vrf)# exit	Exits interface configuration mode.
<b>Step 10</b>	<b>aaa group server tacacs+ group-name</b> <b>Example:</b> Device(config)# aaa group server tacacs+ tacacs1	Groups different TACACS+ server hosts into distinct lists and distinct methods and enters server-group configuration mode.

	Command or Action	Purpose
<b>Step 11</b>	<b>server-private</b> <i>{ip-address   name}</i> [ <b>nat</b> ] [ <b>single-connection</b> ] [ <b>port</b> <i>port-number</i> ] [ <b>timeout</b> <i>seconds</i> ] [ <b>key</b> [ <b>0</b>   <b>7</b> ] <i>string</i> ]  <b>Example:</b> Device(config-sg-tacacs)# server-private 10.1.1.1 port 19 key cisco	Configures the IP address of the private TACACS+ server for the group server.
<b>Step 12</b>	<b>vrf forwarding</b> <i>vrf-name</i>  <b>Example:</b> Device(config-sg-tacacs)# vrf forwarding vrf-name	Configures the VRF reference of a AAA TACACS+ server group.
<b>Step 13</b>	<b>ip tacacs source-interface</b> <i>subinterface-name</i>  <b>Example:</b> Device(config-sg-tacacs)# ip tacacs source-interface subinterface-name	Uses the IP address of a specified interface for all outgoing TACACS+ packets.
<b>Step 14</b>	<b>exit</b>  <b>Example:</b> Device(config-sg-tacacs)# exit	Exits server-group configuration mode.

### Example

The following example lists all the steps to configure per-VRF TACACS+:

```

Device> enable
Device# configure terminal
Device(config)# vrf definition cisco
Device(config-vrf)# rd 100:1
Device(config-vrf)# exit
Device(config)# interface Loopback0
Device(config-if)# vrf forwarding cisco
Device(config-if)# ip address 10.0.0.2 255.0.0.0
Device(config-if)# exit
Device(config-sg-tacacs)# vrf forwarding cisco
Device(config-sg-tacacs)# ip tacacs source-interface Loopback0
Device(config-sg-tacacs)# exit

```

## Configuring Multicast VRFs

### Procedure

	Command or Action	Purpose
<b>Step 1</b>	<b>configure terminal</b>  <b>Example:</b> Device# configure terminal	Enters global configuration mode.



	Command or Action	Purpose
<b>Step 2</b>	<b>ip routing</b> <b>Example:</b> Device(config)# ip routing	Enables IP routing.
<b>Step 3</b>	<b>vrf definition vrf-name</b> <b>Example:</b> Device(config)# vrf definition vrf-name	Configures a VRF table and enters VRF configuration mode.
<b>Step 4</b>	<b>ip multicast-routing vrf vrf-name</b> <b>Example:</b> Device(config-vrf)# ip multicast-routing vrf vrf-name	(Optional) Enables global multicast routing for VRF table.
<b>Step 5</b>	<b>rd route-distinguisher</b> <b>Example:</b> Device(config-vrf)# rd route-distinguisher	Creates a VRF table by specifying a route distinguisher. Enter either an AS number and an arbitrary number (xxx:y) or an IP address and arbitrary number (A.B.C.D:y).
<b>Step 6</b>	<b>route-target {export   import   both} route-target-ext-community</b> <b>Example:</b> Device(config-vrf)# route-target {export   import   both} route-target-ext-community	Creates a list of import, export, or import and export route target communities for the specified VRF. Enter either an AS system number and an arbitrary number (xxx:y) or an IP address and an arbitrary number (A.B.C.D:y).  The route-target-ext-community value should be the same as the route-distinguisher value entered in Step 4.
<b>Step 7</b>	<b>import map route-map</b> <b>Example:</b> Device(config-vrf)# import map route-map	(Optional) Associates a route map with the VRF.
<b>Step 8</b>	<b>interface interface-id</b> <b>Example:</b> Device(config)# interface interface-id	Enters interface configuration mode and specifies the Layer 3 interface to be associated with the VRF. The interface can be a routed port or a SVI.
<b>Step 9</b>	<b>vrf forwarding vrf-name</b> <b>Example:</b> Device(config-if)# vrf forwarding vrf-name	Associates the VRF with the Layer 3 interface.
<b>Step 10</b>	<b>ip address ip-address mask</b> <b>Example:</b> Device(config-if)# ip address ip-address mask	Configures IP address for the Layer 3 interface.

	Command or Action	Purpose
<b>Step 11</b>	<b>ip pim sparse-mode</b> <b>Example:</b> Device(config-if)# ip pim sparse-mode	Enables PIM on the VRF-associated Layer 3 interface.
<b>Step 12</b>	<b>end</b> <b>Example:</b> Device(config-if)# end	Returns to privileged EXEC mode.
<b>Step 13</b>	<b>show vrf definition [brief   detail   interfaces] [vrf-name]</b> <b>Example:</b> Device# show vrf definition brief	Verifies the configuration. Display information about the configured VRFs.
<b>Step 14</b>	<b>copy running-config startup-config</b> <b>Example:</b> Device# copy running-config startup-config	(Optional) Saves your entries in the configuration file.

**Example**

The following example shows how to configure multicast within a VRF table:

```
Device(config)# ip routing
Device(config)# vrf definition multiVrfA
Device(config-vrf)# ip multicast-routing vrf multiVrfA
Device(config-vrf)# interface GigabitEthernet3/1/0
Device(config-if)# vrf forwarding multiVrfA
Device(config-if)# ip address 172.21.200.203 255.255.255.0
Device(config-if)# ip pim sparse-mode
```

**Configuring a VPN Routing Session****Procedure**

	Command or Action	Purpose
<b>Step 1</b>	<b>configure terminal</b> <b>Example:</b> Device# configure terminal	Enters global configuration mode.
<b>Step 2</b>	<b>router ospf process-id vrf vrf-name</b> <b>Example:</b> Device(config)# router ospf process-id vrf vrf-name	Enables OSPF routing, specifies a VPN forwarding table, and enters router configuration mode.

	Command or Action	Purpose
<b>Step 3</b>	<b>log-adjacency-changes</b> <b>Example:</b> Device(config-router)# log-adjacency-changes	(Optional) Logs changes in the adjacency state (the default state).
<b>Step 4</b>	<b>redistribute bgp</b> <i>autonomous-system-number subnets</i> <b>Example:</b> Device(config-router)# redistribute bgp autonomous-system-number subnets	Sets the switch to redistribute information from the BGP network to the OSPF network.
<b>Step 5</b>	<b>network</b> <i>network-number area area-id</i> <b>Example:</b> Device(config-router)# network network-number area area-id	Defines a network address and mask on which OSPF runs and the area ID for that network address.
<b>Step 6</b>	<b>end</b> <b>Example:</b> Device(config-router)# end	Returns to privileged EXEC mode.
<b>Step 7</b>	<b>show ip ospf</b> <i>process-id</i> <b>Example:</b> Device# show ip ospf process-id	Verifies the configuration of the OSPF network.
<b>Step 8</b>	<b>copy running-config startup-config</b> <b>Example:</b> Device# copy running-config startup-config	(Optional) Saves your entries in the configuration file.  Use the <b>no router ospf process-id vrf vrf-name</b> global configuration command to disassociate the VPN forwarding table from the OSPF routing process.

### Example

```
Device(config)# vrf definition VRF-RED
Device(config-vrf)# rd 1:1
Device(config-vrf)# exit
Device(config)# router eigrp virtual-name
Device(config-router)# address-family ipv4 vrf VRF-RED autonomous-system 1
Device(config-router-af)# network 10.0.0.0 0.0.0.255
Device(config-router-af)# topology base
Device(config-router-topology)# default-metric 10000 100 255 1 1500
Device(config-router-topology)# exit-af-topology
Device(config-router-af)# exit-address-family
```

## Configuring BGP PE to CE Routing Sessions

### Procedure

	Command or Action	Purpose
<b>Step 1</b>	<b>configure terminal</b> <b>Example:</b> Device# configure terminal	Enters global configuration mode.
<b>Step 2</b>	<b>router bgp <i>autonomous-system-number</i></b> <b>Example:</b> Device(config)# router bgp autonomous-system-number	Configures the BGP routing process with the AS number passed to other BGP routers and enters router configuration mode.
<b>Step 3</b>	<b>network <i>network-number</i> mask <i>network-mask</i></b> <b>Example:</b> Device(config-router)# network network-number mask network-mask	Specifies a network and mask to announce using BGP.
<b>Step 4</b>	<b>redistribute ospf <i>process-id</i> match <i>internal</i></b> <b>Example:</b> Device(config-router)# redistribute ospf process-id match internal	Sets the switch to redistribute OSPF internal routes.
<b>Step 5</b>	<b>network <i>network-number</i> area <i>area-id</i></b> <b>Example:</b> Device(config-router)# network network-number area area-id	Defines a network address and mask on which OSPF runs and the area ID for that network address.
<b>Step 6</b>	<b>address-family ipv4 vrf <i>vrf-name</i></b> <b>Example:</b> Device(config-router-af)# address-family ipv4 vrf vrf-name	Defines BGP parameters for PE to CE routing sessions and enters VRF address-family mode.
<b>Step 7</b>	<b>neighbor <i>address</i> remote-as <i>as-number</i></b> <b>Example:</b> Device(config-router-af)# neighbor address remote-as as-number	Defines a BGP session between PE and CE routers.
<b>Step 8</b>	<b>neighbor <i>address</i> activate</b> <b>Example:</b> Device(config-router-af)# neighbor address activate	Activates the advertisement of the IPv4 address family.
<b>Step 9</b>	<b>end</b> <b>Example:</b> Device(config-router-af)# end	Returns to privileged EXEC mode.

	Command or Action	Purpose
<b>Step 10</b>	<b>show ip bgp [ipv4] [neighbors]</b> <b>Example:</b> Device# show ip bgp [ipv4] [neighbors]	Verifies BGP configuration.  Use the <b>no router bgp autonomous-system-number</b> global configuration command to delete the BGP routing process. Use the command with keywords to delete routing characteristics.

## Configuring IPv4 VRFs

### Procedure

	Command or Action	Purpose
<b>Step 1</b>	<b>configure terminal</b> <b>Example:</b> Device# configure terminal	Enters global configuration mode.
<b>Step 2</b>	<b>ip routing</b> <b>Example:</b> Device# configure terminal	Enters global configuration mode.
<b>Step 3</b>	<b>vrf definition vrf-name</b> <b>Example:</b> Device(config)# vrf definition vrf-name	Names the VRF and enters VRF configuration mode.
<b>Step 4</b>	<b>rd route-distinguisher</b> <b>Example:</b> Device(config-vrf)# rd route-distinguisher	Creates a VRF table by specifying a route distinguisher. Enter either an Autonomous System number and an arbitrary number (xxx:y) or an IP address and arbitrary number (A.B.C.D:y).
<b>Step 5</b>	<b>route-target {export   import   both} route-target-ext-community</b> <b>Example:</b> Device(config-vrf)# route-target {export   import   both} route-target-ext-community	Creates a list of import, export, or import and export route target communities for the specified VRF. Enter either an AS system number and an arbitrary number (xxx:y) or an IP address and an arbitrary number (A.B.C.D:y).  <b>Note</b> This command is effective only if BGP is running.
<b>Step 6</b>	<b>import map route-map</b> <b>Example:</b> Device(config-vrf)# import map route-map	(Optional) Associates a route map with the VRF.
<b>Step 7</b>	<b>interface interface-id</b> <b>Example:</b>	Enters interface configuration mode and specify the Layer 3 interface to be associated

	Command or Action	Purpose
	<code>Device(config-vrf)# interface interface-id</code>	with the VRF. The interface can be a routed port or SVI.
<b>Step 8</b>	<b>vrf forwarding</b> <i>vrf-name</i>  <b>Example:</b> <code>Device(config-if)# vrf forwarding vrf-name</code>	Associates the VRF with the Layer 3 interface.
<b>Step 9</b>	<b>end</b>  <b>Example:</b> <code>Device(config-if)# end</code>	Returns to privileged EXEC mode.
<b>Step 10</b>	<b>show vrf definition</b> [ <b>brief</b>   <b>detail</b>   <b>interfaces</b> ] [ <i>vrf-name</i> ]  <b>Example:</b> <code>Device# show vrf definition [brief   detail   interfaces] [vrf-name]</code>	Verifies the configuration. Displays information about the configured VRFs.
<b>Step 11</b>	<b>copy running-config startup-config</b>  <b>Example:</b> <code>Device# copy running-config startup-config</code>	(Optional) Saves your entries in the configuration file.  Use the <b>no vrf definition</b> <i>vrf-name</i> global configuration command to delete a VRF and to remove all interfaces from it. Use the <b>no vrf forwarding</b> interface configuration command to remove an interface from the VRF.

## Configuring VRF-lite for IPv6

This section provides information about configuring VRF-lite for IPv6.

### Configuring VRF-Aware Services

IPv6 services can be configured on global interfaces and within the global routing instance. IPv6 services are enhanced to run on multiple routing instances; they are VRF-aware. Any configured VRF in the system can be specified for a VRF-aware service.

VRF-aware services are implemented in platform-independent modules. VRF provides multiple routing instances in Cisco IOS. Each platform has its own limit on the number of VRFs it supports.

VRF-aware services have the following characteristics:

- The user can ping a host in a user-specified VRF.
- Neighbor Discovery entries are learned in separate VRFs. The user can display Neighbor Discovery (ND) entries for specific VRFs.

The following services are VRF-aware:

- Ping

- Unicast Reverse Path Forwarding (uRPF)
- Traceroute
- FTP and TFTP
- Telnet and SSH
- NTP

### Configuring the User Interface for PING

Perform the following task to configure a VRF-aware ping:

#### Procedure

	Command or Action	Purpose
<b>Step 1</b>	<b>ping vrf <i>vrf-name</i> ipv6-host</b> <b>Example:</b> Device# ping vrf vrf-name ipv6-host	Pings an IPv6 host or address in the specified VRF.

### Configuring the User Interface for uRPF

You can configure uRPF on an interface assigned to a VRF. Source lookup is performed in the VRF table

#### Procedure

	Command or Action	Purpose
<b>Step 1</b>	<b>configure terminal</b> <b>Example:</b> Device# configure terminal	Enters global configuration mode.
<b>Step 2</b>	<b>interface <i>interface-id</i></b> <b>Example:</b> Device(config)# interface interface-id	Enters interface configuration mode and specifies the Layer 3 interface to configure.
<b>Step 3</b>	<b>no switchport</b> <b>Example:</b> Device(config-if)# no switchport	Removes the interface from Layer 2 configuration mode if it is a physical interface.
<b>Step 4</b>	<b>vrf forwarding <i>vrf-name</i></b> <b>Example:</b> Device(config-if)# vrf forwarding vrf-name	Configures VRF on the interface.
<b>Step 5</b>	<b>ipv6 address <i>ip-address</i> subnet-mask</b> <b>Example:</b> Device(config-if)# ip address ip-address mask	Enters the IPv6 address for the interface.

	Command or Action	Purpose
<b>Step 6</b>	<b>ipv6 verify unicast source reachable-via rx allow-default</b>  <b>Example:</b> <pre>Device(config-if)# ipv6 verify unicast source reachable-via rx allow-default</pre>	Enables uRPF on the interface.
<b>Step 7</b>	<b>end</b>  <b>Example:</b> <pre>Device(config-if)# end</pre>	Returns to privileged EXEC mode.

### Configuring the User Interface for Traceroute

#### Procedure

	Command or Action	Purpose
<b>Step 1</b>	<b>traceroute vrf vrf-name ipv6address</b>  <b>Example:</b> <pre>Device# traceroute vrf vrf-name ipv6address</pre>	Specifies the name of a VPN VRF in which to find the destination address.

### Configuring the User Interface for Telnet and SSH

#### Procedure

	Command or Action	Purpose
<b>Step 1</b>	<b>telnet ipv6-address/vrf vrf-name</b>  <b>Example:</b> <pre>Device# telnet ipv6-address/vrf vrf-name</pre>	Connects through Telnet to an IPv6 host or address in the specified VRF.
<b>Step 2</b>	<b>ssh -l username -vrf vrf-name ipv6-host</b>  <b>Example:</b> <pre>Device# ssh -l username -vrf vrf-name ipv6-host</pre>	Connects through SSH to an IPv6 host or address in the specified VRF.

### Configuring the User Interface for NTP

#### Procedure

	Command or Action	Purpose
<b>Step 1</b>	<b>configure terminal</b>  <b>Example:</b>	Enters global configuration mode.



	Command or Action	Purpose
	Device# <code>configure terminal</code>	
<b>Step 2</b>	<b>ntp server vrf <i>vrf-name</i> ipv6-host</b> <b>Example:</b> Device(config)# <code>ntp server vrf vrf-name ipv6-host</code>	Configure the NTP server in the specified VRF.
<b>Step 3</b>	<b>ntp peer vrf <i>vrf-name</i> ipv6-host</b> <b>Example:</b> Device(config)# <code>ntp peer vrf vrf-name ipv6-host</code>	Configure the NTP peer in the specified VRF.

## Configuring IPv6 VRFs

### Procedure

	Command or Action	Purpose
<b>Step 1</b>	<b>configure terminal</b> <b>Example:</b> Device# <code>configure terminal</code>	Enters global configuration mode.
<b>Step 2</b>	<b>vrf definition <i>vrf-name</i></b> <b>Example:</b> Device(config)# <code>vrf definition vrf-name</code>	Names the VRF and enters VRF configuration mode.
<b>Step 3</b>	<b>rd <i>route-distinguisher</i></b> <b>Example:</b> Device(config-vrf)# <code>rd route-distinguisher</code>	(Optional) Creates a VRF table by specifying a route distinguisher. Enter either an Autonomous System number and an arbitrary number (xxx:y) or an IP address and arbitrary number (A.B.C.D:y).
<b>Step 4</b>	<b>address-family <i>ipv4</i>   <i>ipv6</i></b> <b>Example:</b> Device(config-vrf)# <code>address-family ipv4   ipv6</code>	(Optional) IPv4 by default. Configuration MUST for IPv6.
<b>Step 5</b>	<b>route-target {<i>export</i>   <i>import</i>   <i>both</i>}</b> <b><i>route-target-ext-community</i></b> <b>Example:</b> Device(config-vrf)# <code>route-target {export   import   both} route-target-ext-community</code>	Creates a list of import, export, or import and export route target communities for the specified VRF. Enter either an AS system number and an arbitrary number (xxx:y) or an IP address and an arbitrary number (A.B.C.D:y).  <b>Note</b> This command is effective only if BGP is running.

	Command or Action	Purpose
<b>Step 6</b>	<b>exit-address-family</b> <b>Example:</b> Device(config-vrf)# exit-address-family	Exits VRF address-family configuration mode and return to VRF configuration mode.
<b>Step 7</b>	<b>vrf definition vrf-name</b> <b>Example:</b> Device(config)# vrf definition vrf-name	Enters VRF configuration mode.
<b>Step 8</b>	<b>ipv6 multicast mult topology</b> <b>Example:</b> Device(config-vrf-af)# ipv6 multicast mult topology	Enables multicast specific RPF topology.
<b>Step 9</b>	<b>address-family ipv6 multicast</b> <b>Example:</b> Device(config-vrf)# address-family ipv6 multicast	Enter multicast IPv6 address-family.
<b>Step 10</b>	<b>end</b> <b>Example:</b> Device(config-vrf-af)# end	Returns to privileged EXEC mode.

**Example**

This example shows how to configure VRFs:

```
Device(config)# vrf definition red
Device(config-vrf)# rd 100:1
Device(config-vrf)# address family ipv6
Device(config-vrf-af)# route-target both 200:1
Device(config-vrf)# exit-address-family
Device(config-vrf)# vrf definition red
Device(config-vrf)# ipv6 multicast mult topology
Device(config-vrf)# address-family ipv6 multicast
Device(config-vrf-af)# end
```

**Associating Interfaces to the Defined VRFs****Procedure**

	Command or Action	Purpose
<b>Step 1</b>	<b>interface interface-id</b> <b>Example:</b> Device(config-vrf)# interface interface-id	Enters interface configuration mode and specify the Layer 3 interface to be associated with the VRF. The interface can be a routed port or SVI.

	Command or Action	Purpose
<b>Step 2</b>	<b>no switchport</b> <b>Example:</b> Device(config-if)# no switchport	Removes the interface from configuration mode if it is a physical interface.
<b>Step 3</b>	<b>vrf forwarding vrf-name</b> <b>Example:</b> Device(config-if)# vrf forwarding vrf-name	Associates the VRF with the Layer 3 interface.
<b>Step 4</b>	<b>ipv6 enable</b> <b>Example:</b> Device(config-if)# ipv6 enable	Enable IPv6 on the interface.
<b>Step 5</b>	<b>ipv6 address ip-address subnet-mask</b> <b>Example:</b> Device(config-if)# ipv6 address ip-address subnet-mask	Enters the IPv6 address for the interface.
<b>Step 6</b>	<b>show ipv6 vrf [brief   detail   interfaces] [vrf-name]</b> <b>Example:</b> Device# show ipv6 vrf [brief   detail   interfaces] [vrf-name]	Verifies the configuration. Displays information about the configured VRFs.
<b>Step 7</b>	<b>copy running-config startup-config</b> <b>Example:</b> Device# copy running-config startup-config	(Optional) Saves your entries in the configuration file.

**Example**

This example shows how to associate an interface to VRFs:

```
Switch(config-vrf)# interface ethernet0/1
Switch(config-if)# vrf forwarding red
Switch(config-if)# ipv6 enable
Switch(config-if)# ipv6 address 5000::72B/64
```

**Populate VRF with Routes via Routing Protocols**

This section provides information about populating VRF with routes via routing protocols.

## Configuring VRF Static Routes

### Procedure

	Command or Action	Purpose
<b>Step 1</b>	<b>configure terminal</b> <b>Example:</b> Device# configure terminal	Enters global configuration mode.
<b>Step 2</b>	<b>ipv6 route [vrf vrf-name]</b> <i>ipv6-prefix/prefix-length {ipv6-address  </i> <b>interface-type interface-number</b> <i>[ipv6-address]}</i> <b>Example:</b> Device(config)# ipv6 route [vrf vrf-name] ipv6-prefix/prefix-length {ipv6-address   interface-type interface-number [ipv6-address]}	To configure static routes specific to VRF.

### Example

```
Device(config)# ipv6 route vrf v6a 7000::/64 TenGigabitEthernet32 4000::2
```

## Configuring OSPFv3 Router Process

### Procedure

	Command or Action	Purpose
<b>Step 1</b>	<b>configure terminal</b> <b>Example:</b> Device# configure terminal	Enters global configuration mode.
<b>Step 2</b>	<b>router ospfv3 process-id</b> <b>Example:</b> Device(config)# router ospfv3 process-id	Enables OSPFv3 router configuration mode for the IPv6 address family.
<b>Step 3</b>	<b>area area-ID [default-cot   nssa   stub]</b> <b>Example:</b> Device(config-router)# area area-ID [default-cot   nssa   stub]	Configures the OSPFv3 area.
<b>Step 4</b>	<b>router-id router-id</b> <b>Example:</b> Device(config-router)# router-id router-id	Use a fixed router ID.

	Command or Action	Purpose
<b>Step 5</b>	<b>address-family ipv6 unicast vrf</b> <i>vrf-name</i> <b>Example:</b> Device(config-router)# address-family ipv6 unicast vrf vrf-name	Enters IPv6 address family configuration mode for OSPFv3 in VRF vrf-name
<b>Step 6</b>	<b>redistribute source-protocol</b> [ <i>process-id</i> ] <b>options</b> <b>Example:</b> Device(config-router)# redistribute source-protocol [ <i>process-id</i> ] options	Redistributes IPv6 routes from one routing domain into another routing domain.
<b>Step 7</b>	<b>end</b> <b>Example:</b> Device(config-router)# end	Returns to privileged EXEC mode.

**Example**

This example shows how configure the OSPFv3 router process:

```
Device(config-router)# router ospfv3 1
Device(config-router)# router-id 1.1.1.1
Device(config-router)# address-family ipv6 unicast
Device(config-router-af)# exit-address-family
```

**Enabling OSPFv3 on an Interface****Procedure**

	Command or Action	Purpose
<b>Step 1</b>	<b>configure terminal</b> <b>Example:</b> Device# configure terminal	Enters global configuration mode.
<b>Step 2</b>	<b>interface</b> <i>type-number</i> <b>Example:</b> Device(config-vrf)# interface <i>type-number</i>	Specifies an interface type and number, and places the switch in interface configuration mode.
<b>Step 3</b>	<b>ospfv3</b> <i>process-id</i> <b>area</b> <i>area-ID</i> <b>ipv6</b> [ <i>instance instance-id</i> ] <b>Example:</b> Device(config-if)# ospfv3 <i>process-id</i> <i>area</i> <i>area-ID</i> <b>ipv6</b> [ <i>instance instance-id</i> ]	Enables OSPFv3 on an interface with IPv6 AF.
<b>Step 4</b>	<b>end</b> <b>Example:</b> Device(config-if)# end	Returns to privileged EXEC mode.

**Example**

This example show how to enable OSPFv3 on an interface:

```
Device(config)# interface GigabitEthernet2/1
Device(config-if)# no switchport
Device(config-if)# ipv6 address 4000::2/64
Device(config-if)# ipv6 enable
Device(config-if)# ipv6 ospf 1 area 0
Device(config-if)# end
```

**Configuring EIGRPv6 Routing Process**

**Procedure**

	<b>Command or Action</b>	<b>Purpose</b>
<b>Step 1</b>	<b>configure terminal</b>  <b>Example:</b> Device# configure terminal	Enters global configuration mode.
<b>Step 2</b>	<b>router eigrp <i>virtual-instance-name</i></b>  <b>Example:</b> Device(config)# router eigrp virtual-instance-name	Configures the EIGRP routing process and enters router configuration mode.
<b>Step 3</b>	<b>address-family ipv6 vrf <i>vrf-name</i> autonomous-system <i>autonomous-system-number</i></b>  <b>Example:</b> Device(config-router)# address-family ipv6 vrf vrf-name autonomous-system autonomous-system-number	Enables EIGRP IPv6 VRF-Lite and enters address family configuration mode.
<b>Step 4</b>	<b>topology {base   topology-name tid number}</b>  <b>Example:</b> Device(config-router-af)# topology {base   topology-name tid number	Configures an EIGRP process to route IP traffic under the specified topology instance and enters address family topology configuration mode.
<b>Step 5</b>	<b>exit-aftopology</b>  <b>Example:</b> Device(config-router-af-topology) # exit-aftopology	Exits address family topology configuration mode.
<b>Step 6</b>	<b>eigrp router-id <i>ip-address</i></b>  <b>Example:</b> Device(config-router)# eigrp router-id ip-address	Enables the use of a fixed router-id.

	Command or Action	Purpose
<b>Step 7</b>	end  <b>Example:</b> Device(config-router)# end	Exits router configuration mode.

### Example

This example shows how to configure an EIGRP routing process:

```
Device(config)# router eigrp test
Device(config-router)# address-family ipv6 unicast vrf b1 autonomous-system 10
Device(config-router-af)# topology base
Device(config-router-af-topology)# exit-af-topology
Device(config-router)# eigrp router-id 2.3.4.5
Device(config-router)# exit-address-family
```

## Configuring EBGpV6 Routing Process

### Procedure

	Command or Action	Purpose
<b>Step 1</b>	<b>configure terminal</b>  <b>Example:</b> Device# configure terminal	Enters global configuration mode.
<b>Step 2</b>	<b>router bgp <i>as-number</i></b>  <b>Example:</b> Device(config)# router bgp <i>as-number</i>	Enters router configuration mode for the specified routing process.
<b>Step 3</b>	<b>neighbor <i>peer-group-name peer-group</i></b>  <b>Example:</b> Device(config-router)# neighbor peer-group-name peer-group	Creates a multiprotocol BGP peer group.
<b>Step 4</b>	<b>neighbor {<i>ip-address</i>   <i>ipv6-address</i>[%]   <i>peer-group-name</i>}remote-as  <i>autonomous-system-number</i> [<b>alternate-as</b>  <i>autonomous-system-number</i> ...]</b>  <b>Example:</b> Device(config-router)# neighbor { <i>ip-address</i>   <i>ipv6-address</i> [%]   <i>peer-group-name</i> }remote-as <i>autonomous-system-number</i> [ <b>alternate-as</b> <i>autonomous-system-number</i> ...]	Adds the IPv6 address of the neighbor in the specified autonomous system to the IPv6 multiprotocol BGP neighbor table of the local router.
<b>Step 5</b>	<b>address-family ipv6 [<i>vrf vrf-name</i>] [<b>unicast</b>    <b>multicast</b>   <b>vpn6</b>]</b>	Specifies the IPv6 address family, and enters address family configuration mode.

	Command or Action	Purpose
	<p><b>Example:</b></p> <pre>Device(config-router)# address-family ipv6 [vrf vrf-name] [unicast   multicast   vpv6]</pre>	<ul style="list-style-type: none"> <li>• The unicast keyword specifies the IPv6 unicast address family. By default, the switch is placed in configuration mode for the IPv6 unicast address family if the unicast keyword is not specified with the address-family ipv6 command.</li> <li>• The multicast keyword specifies IPv6 multicast address prefixes.</li> </ul>
<b>Step 6</b>	<p><b>neighbor ipv6-address peer-group peer-group-name</b></p> <p><b>Example:</b></p> <pre>Device(config-router-af)# neighbor ipv6-address peer-group peer-group-name</pre>	Assigns the IPv6 address of a BGP neighbor to a peer group.
<b>Step 7</b>	<p><b>neighbor {ip-address   peer-group-name   ipv6-address[%]} route-map map-name {in   out}</b></p> <p><b>Example:</b></p> <pre>Device(config-router-af)# neighbor {ip-address   peer-group-name   ipv6-address[%]} route-map map-name {in   out}</pre>	Applies a route map to incoming or outgoing routes. Changes to the route map will not take effect for existing peers until the peering is reset or a soft reset is performed. Using the clear bgp ipv6 command with the soft and in keywords will perform a soft reset.
<b>Step 8</b>	<p><b>exit</b></p> <p><b>Example:</b></p> <pre>Device(config-router-af)# exit</pre>	Exits address family configuration mode, and returns the router to router configuration mode.

### Example

This example shows how to configure EBGpV6:

```
Device(config)# router bgp 2
Device(config-router)# bgp router-id 2.2.2.2
Device(config-router)# bgp log-neighbor-changes
Device(config-router)# no bgp default ipv4-unicast
Device(config-router)# neighbor 2500::1 remote-as 1
Device(config-router)# neighbor 4000::2 remote-as 3
Device(config-router)# address-family ipv6 vrf b1
Device(config-router-af)# network 2500::/64
Device(config-router-af)# network 4000::/64
Device(config-router-af)# neighbor 2500::1 remote-as 1
Device(config-router-af)# neighbor 2500::1 activate
Device(config-router-af)# neighbor 4000::2 remote-as 3
Device(config-router-af)# neighbor 4000::2 activate
Device(config-router-af)# exit-address-family
```



## Additional Information for VRF-lite

This section provides additional information about VRF-lite.

### VPN Co-existence Between IPv4 and IPv6

Backward compatibility between the “older” CLI for configuring IPv4 and the “new” CLI for IPv6 exists. This means that a configuration might contain both CLI. The IPv4 CLI retains the ability to have on the same interface, an IP address defined within a VRF as well as an IPv6 address defined in the global routing table.

For example:

```
vrf definition red
  rd 100:1
  address family ipv6
  route-target both 200:1
  exit-address-family
!
vrf definition blue
  rd 200:1
  route-target both 200:1
!
interface Ethernet0/0
  vrf forwarding red
  ip address 50.1.1.2 255.255.255.0
  ipv6 address 4000::72B/64
!
interface Ethernet0/1
  vrf forwarding blue
  ip address 60.1.1.2 255.255.255.0
  ipv6 address 5000::72B/64
```

In this example, all addresses (v4 and v6) defined for Ethernet0/0 refer to VRF red whereas for Ethernet0/1, the IP address refers to VRF blue but the ipv6 address refers to the global IPv6 routing table.

## Verifying VRF-lite Configuration

This section provides steps for verifying VRF-lite configuration.

### Displaying IPv4 VRF-lite Status

To display information about VRF-lite configuration and status, perform one of the following tasks:

Command	Purpose
Device# <b>show ip protocols vrf</b> <i>vrf-name</i>	Displays routing protocol information associated with a VRF.
Device# <b>show ip route vrf</b> <i>vrf-name</i> [ <b>connected</b> ] [ <i>protocol</i> ] [ <i>as-number</i> ] [ <b>list</b> ] [ <b>mobile</b> ] [ <b>odr</b> ] [ <b>profile</b> ] [ <b>static</b> ] [ <b>summary</b> ] [ <b>supernets-only</b> ]	Displays IP routing table information associated with a VRF.

Command	Purpose
Device# <b>show vrf definition</b> [brief   detail   interfaces] [vrf-name]	Displays information about the defined VRF instances.
Device# <b>bidir vrf</b> instance-name a.b.c.d   active   bidirectional   count   interface   proxy   pruned   sparse   ssm   static   summary	Displays information about the defined VRF instances.  <b>Note</b> <b>bidirectional</b> is not supported on the C9500-32C, C9500-32QC, C9500-48Y4C, and C9500-24Y4C models of the Cisco Catalyst 9500 Series Switches

This example shows how to display multicast route table information within a VRF instance:

```
Switch# show ip mroute 226.0.0.2
IP Multicast Routing Table
Flags: S - Sparse, B - Bidir Group, s - SSM Group, C - Connected,
      L - Local, P - Pruned, R - RP-bit set, F - Register flag,
      T - SPT-bit set, J - Join SPT, M - MSDP created entry, E - Extranet,
      X - Proxy Join Timer Running, A - Candidate for MSDP Advertisement,
      U - URD, I - Received Source Specific Host Report,
      Z - Multicast Tunnel, z - MDT-data group sender,
      Y - Joined MDT-data group, y - Sending to MDT-data group,
      G - Received BGP C-Mroute, g - Sent BGP C-Mroute,
      N - Received BGP Shared-Tree Prune, n - BGP C-Mroute suppressed,
      Q - Received BGP S-A Route, q - Sent BGP S-A Route,
      V - RD & Vector, v - Vector, p - PIM Joins on route,
      x - VxLAN group, c - PFP-SA cache created entry
Outgoing interface flags: H - Hardware switched, A - Assert winner, p - PIM Join
Timers: Uptime/Expires
Interface state: Interface, Next-Hop or VCD, State/Mode

(*, 226.0.0.2), 00:01:17/stopped, RP 1.11.1.1, flags: SJCF
  Incoming interface: Null, RPF nbr 0.0.0.0
  Outgoing interface list:
    Vlan100, Forward/Sparse, 00:01:17/00:02:36

(5.0.0.11, 226.0.0.2), 00:01:17/00:01:42, flags: FT
  Incoming interface: Vlan5, RPF nbr 0.0.0.0
  Outgoing interface list:
    Vlan100, Forward/Sparse, 00:01:17/00:02:36
```

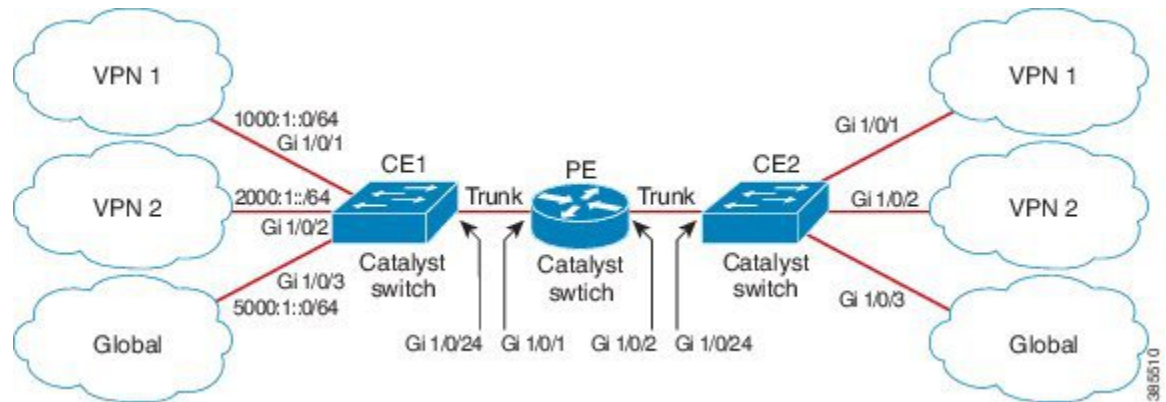
## Configuration Examples for VRF-lite

This section provides configuration examples for VRF-lite.

### Configuration Example for IPv6 VRF-lite

The following topology illustrates how to use OSPFv3 for CE-PE routing.

Figure 21: VRF-lite Configuration Example



### Configuring CE1 Switch

```

ipv6 unicast-routing
vrf definition v1
  rd 100:1
  !
address-family ipv6
  exit-address-family
!

vrf definition v2
  rd 200:1
  !
address-family ipv6
  exit-address-family
!

interface Vlan100
  vrf forwarding v1
  ipv6 address 1000:1::1/64
  ospfv3 100 ipv6 area 0
!

interface Vlan200
  vrf forwarding v2
  ipv6 address 2000:1::1/64
  ospfv3 200 ipv6 area 0
!

interface GigabitEthernet 1/0/1
  switchport access vlan 100
end

interface GigabitEthernet 1/0/2
  switchport access vlan 200
end

interface GigabitEthernet 1/0/24
  switchport trunk encapsulation dot1q

switchport mode trunk
end

router ospfv3 100
  router-id 10.10.10.10

```

```

!
address-family ipv6 unicast vrf v1
 redistribute connected
 area 0 normal
exit-address-family
!

router ospfv3 200
 router-id 20.20.20.20
!
address-family ipv6 unicast vrf v2
 redistribute connected
 area 0 normal
exit-address-family
!

```

### Configuring PE Switch

```

ipv6 unicast-routing

vrf definition v1
 rd 100:1
!
address-family ipv6
exit-address-family
!

vrf definition v2
 rd 200:1
!
address-family ipv6
exit-address-family
!

interface Vlan600
 vrf forwarding v1
 no ipv6 address
 ipv6 address 1000:1::2/64
 ospfv3 100 ipv6 area 0
!

interface Vlan700
 vrf forwarding v2
 no ipv6 address
 ipv6 address 2000:1::2/64
 ospfv3 200 ipv6 area 0
!

interface Vlan800
 vrf forwarding v1
 ipv6 address 3000:1::7/64
 ospfv3 100 ipv6 area 0
!

interface Vlan900
 vrf forwarding v2
 ipv6 address 4000:1::7/64
 ospfv3 200 ipv6 area 0
!

interface GigabitEthernet 1/0/1
 switchport trunk encapsulation dot1q
 switchport mode trunk
 exit

interface GigabitEthernet 1/0/2

```

```
switchport trunk encapsulation dot1q

switchport mode trunk
exit

router ospfv3 100
router-id 30.30.30.30
!
address-family ipv6 unicast vrf v1
redistribute connected
area 0 normal
exit-address-family
!
address-family ipv6 unicast vrf v2
redistribute connected
area 0 normal
exit-address-family
!
```

### Configuring CE2 Switch

```
ipv6 unicast-routing

vrf definition v1
rd 100:1
!
address-family ipv6
exit-address-family
!

vrf definition v2
rd 200:1
!
address-family ipv6
exit-address-family
!

interface Vlan100
vrf forwarding v1

ipv6 address 1000:1::3/64
ospfv3 100 ipv6 area 0
!

interface Vlan200
vrf forwarding v2
ipv6 address 2000:1::3/64
ospfv3 200 ipv6 area 0
!

interface GigabitEthernet 1/0/1
switchport access vlan 100
end

interface GigabitEthernet 1/0/2
switchport access vlan 200
end

interface GigabitEthernet 1/0/24
switchport trunk encapsulation dot1q
switchport mode trunk
end

router ospfv3 100
```

```

router-id 40.40.40.40
!
address-family ipv6 unicast vrf v1
 redistribute connected
  area 0 normal
exit-address-family
!

router ospfv3 200
router-id 50.50.50.50
!
address-family ipv6 unicast vrf v2
 redistribute connected

area 0 normal
exit-address-family
!
```

## Additional References for VRF-Lite

### Related Documents

Related Topic	Document Title
For complete syntax and usage information for the commands used in this chapter.	See the IP Multicast Routing Commands section of the <i>Command Reference (Catalyst 9500 Series Switches)</i>

### Standards and RFCs

Standard/RFC	Title
RFC 6763	<i>DNS-Based Service Discovery</i>
Multicast DNS Internet-Draft	<a href="#">Multicast</a>

## Feature History for Multicast VRF-lite

This table provides release and related information for the features explained in this module.

These features are available in all the releases subsequent to the one they were introduced in, unless noted otherwise.

Release	Feature	Feature Information
Cisco IOS XE Everest 16.6.1	IPv6 Multicast support with VRF-Lite	<p>IPv6 VRF-Lite allows a service provider to support two or more VPNs with overlapping IP addresses using one interface.</p> <p>Support for this feature was introduced only on the C9500-12Q, C9500-16X, C9500-24Q, C9500-40X models of the Cisco Catalyst 9500 Series Switches.</p>
Cisco IOS XE Fuji 16.8.1a	IPv6 Multicast support with VRF-Lite	<p>IPv6 VRF-Lite allows a service provider to support two or more VPNs with overlapping IP addresses using one interface.</p> <p>Support for this feature was introduced only on the C9500-32C, C9500-32QC, C9500-48Y4C, and C9500-24Y4C models of the Cisco Catalyst 9500 Series Switches.</p>
Cisco IOS XE Cupertino 17.7.1	IPv6 Multicast support with VRF-Lite	<p>Support for this feature was introduced on the C9500X-28C8D model of the Cisco Catalyst 9500 Series Switches.</p>

Use the Cisco Feature Navigator to find information about platform and software image support. To access Cisco Feature Navigator, go to <https://cfng.cisco.com/>







## CHAPTER 39

# Configuring Unicast Reverse Path Forwarding

- [Prerequisites for Unicast Reverse Path Forwarding, on page 527](#)
- [Restrictions for Unicast Reverse Path Forwarding, on page 527](#)
- [Information About Unicast Reverse Path Forwarding, on page 528](#)
- [How to Configure Unicast Reverse Path Forwarding, on page 533](#)
- [Monitoring and Maintaining Unicast Reverse Path Forwarding, on page 535](#)
- [Example: Configuring Unicast RPF, on page 536](#)
- [Feature History for Unicast Reverse Path Forwarding, on page 537](#)

## Prerequisites for Unicast Reverse Path Forwarding

- Unicast Reverse Path Forwarding (RPF) requires Cisco Express Forwarding to function properly on a device.
- Prior to configuring Unicast RPF, you must configure the following access control lists (ACLs):
  - Configure standard or extended ACL to mitigate the transmission of invalid IP addresses (by performing egress filtering). Configuring standard or extended ACLs permit only valid source addresses to leave your network and enter the Internet.
  - Configure standard or extended ACL entries to drop (deny) packets that have invalid source IP addresses (by performing ingress filtering). Invalid source IP addresses include the following types:
    - Broadcast addresses (including multicast addresses)
    - Loopback addresses
    - Private addresses (RFC 1918, *Address Allocation for Private Internets*)
    - Reserved addresses
    - Source addresses that fall outside the range of valid addresses that are associated with the protected network

## Restrictions for Unicast Reverse Path Forwarding

The following basic restrictions apply to multihomed clients:

- Clients should not be multihomed on the same device because multihoming defeats the purpose of creating a redundant service for a client.
- Ensure that packets that flow up the link (out to the Internet) match the route advertised out of the link. Otherwise, Unicast RPF filters these packets as malformed packets.



---

**Note** Unicast RPF is enabled for both IPv4 and IPv6, even if the user enables either.

---

## Information About Unicast Reverse Path Forwarding

The Unicast Reverse Path Forwarding feature helps to mitigate problems that are caused by the introduction of malformed or forged (spoofed) IP source addresses into a network by discarding IP packets that lack a verifiable IP source address. For example, a number of common types of denial-of-service (DoS) attacks, including Smurf and Tribal Flood Network (TFN), can take advantage of forged or rapidly changing source IP addresses to allow attackers to thwart efforts to locate or filter the attacks. For Internet service providers (ISPs) that provide public access, Unicast RPF deflects such attacks by forwarding only packets that have source addresses that are valid and consistent with the IP routing table. This action protects the network of the ISP, its customer, and the rest of the Internet.

## Unicast RPF Operation

When Unicast RPF is enabled on an interface of a device, the device examines all packets received as input on that interface to ensure that the source address and source interface information appears in the routing table and matches the interface on which packets are received. This ability to “look backwards” is available only when Cisco Express Forwarding is enabled on a device because the lookup relies on the presence of a Forwarding Information Base (FIB). Cisco Express Forwarding generates a FIB as part of its operation.



---

**Note** Unicast RPF is an input function and is applied only on the input interface of a device at the upstream end of a connection.

---

Unicast RPF does a reverse lookup in the Cisco Express Forwarding table to check if any packet received at the interface of a device arrives on the best return path (or return route) to the source of the packet. If the packet was received from one of the best reverse path routes, the packet is forwarded as normal. No reverse path route on the interface from which the packet was received can mean that the source address was modified. If Unicast RPF cannot find a reverse path for the packet, the packet is dropped or forwarded, depending on whether an access control list (ACL) is specified by using the **ip verify unicast reverse-path** command in interface configuration mode.



---

**Note** With Unicast RPF, all equal-cost “best” return paths are considered valid. Unicast RPF supports multiple return paths, provided that each path is equal to the others in terms of the routing cost (such as number of hops, weights, and so on) and the route is available in the FIB. Unicast RPF also functions where Enhanced Interior Gateway Routing Protocol (EIGRP) variants are used.

---

Before forwarding a packet that is received at the interface on which Unicast RPF and ACLs have been configured, Unicast RPF does the following checks:

1. If input ACLs are configured on the inbound interface.
2. If the packet has arrived on the best return path to the source by doing a reverse lookup in the FIB table.
3. Does a lookup of the Cisco Express Forwarding table for packet forwarding.
4. Checks output ACLs on the outbound interface.
5. Forwards the packet.

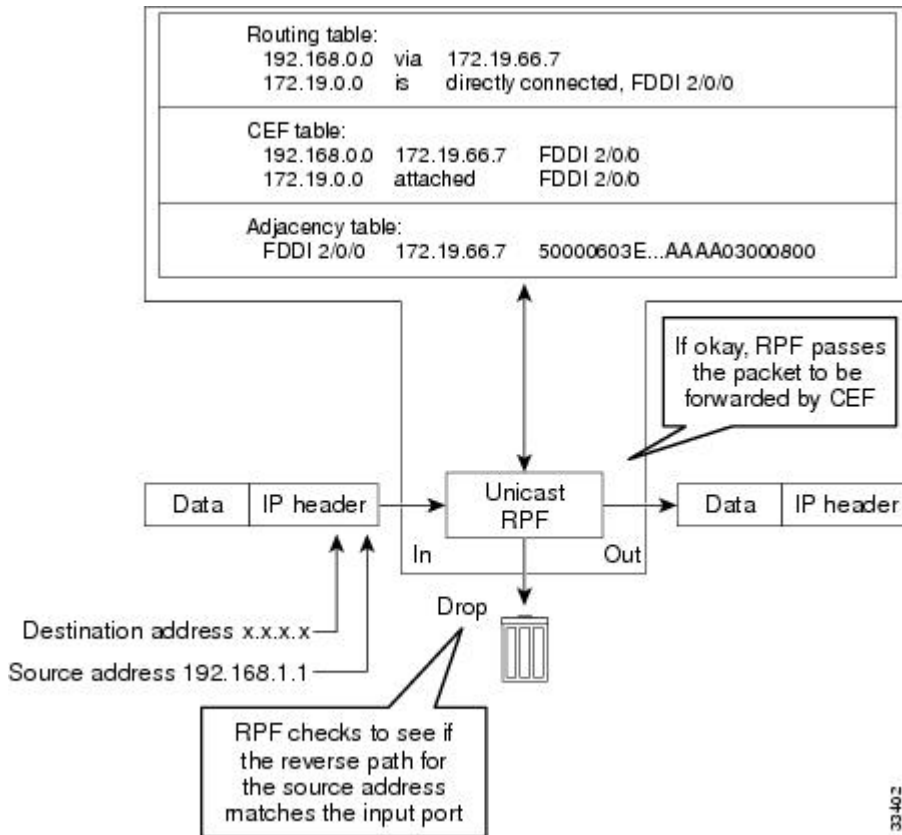
## Per-Interface Statistics

Each time a packet is dropped or forwarded at an interface, that information is counted two ways: globally on the device and at each interface where you have applied Unicast RPF. Global statistics on dropped packets provide information about potential attacks on the network; however, these global statistics do not help to specify which interface is the source of the attack.

Per-interface statistics allow network administrators to track two types of information about malformed packets: Unicast RPF drops and Unicast RPF suppressed drops. Statistics on the number of packets that Unicast RPF drops help to identify the interface that is the entry point of the attack. The Unicast RPF drop count tracks the number of drops at the interface. The Unicast RPF suppressed drop count tracks the number of packets that failed the Unicast RPF check but were forwarded because of the permit permission set up in the ACL. Using the drop count and suppressed drop count statistics, a network administrator can take steps to isolate the attack at a specific interface.

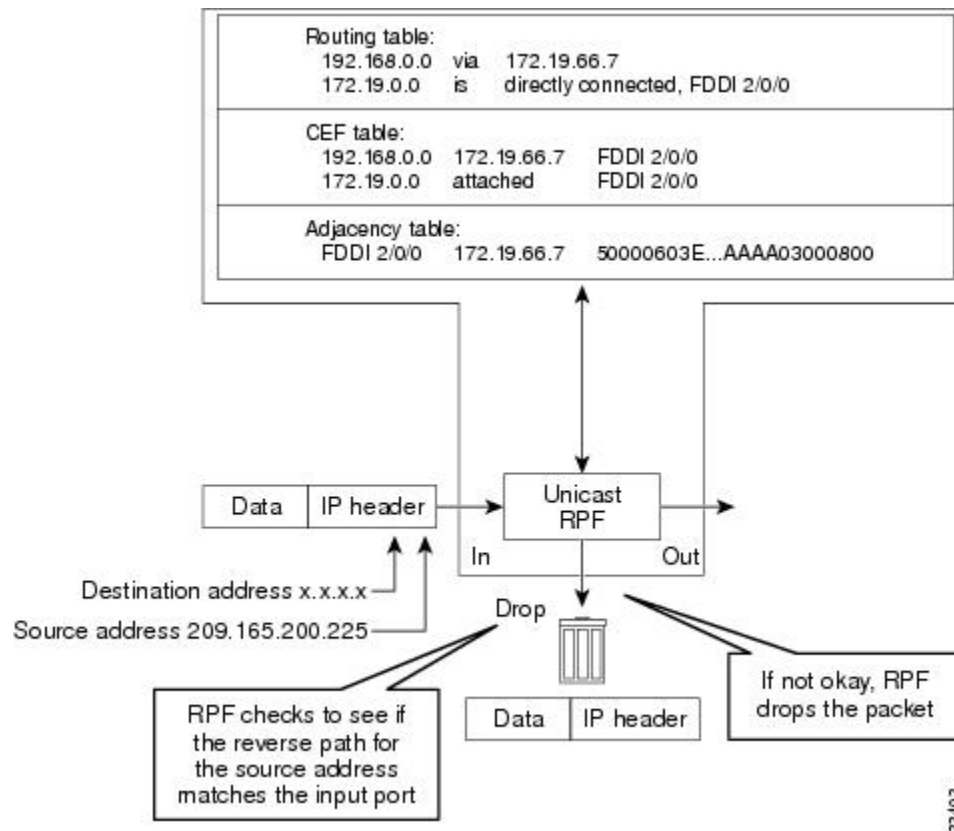
The figure below illustrates how Unicast RPF and CEF work together to validate IP source addresses by verifying packet return paths. In this example, a customer has sent a packet having a source address of 192.168.1.1 from interface FDDI 2/0/0. Unicast RPF checks the FIB to see if 192.168.1.1 has a path to FDDI 2/0/0. If there is a matching path, the packet is forwarded. If there is no matching path, the packet is dropped.

Figure 22: Unicast RPF Validating IP Source Addresses



The figure below illustrates how Unicast RPF drops packets that fail validation. In this example, a customer has sent a packet having a source address of 209.165.200.225, which is received at interface FDDI 2/0/0. Unicast RPF checks the FIB to see if 209.165.200.225 has a return path to FDDI 2/0/0. If there is a matching path, the packet is forwarded. In this case, there is no reverse entry in the routing table that routes the customer packet back to source address 209.165.200.225 on interface FDDI 2/0/0, and so the packet is dropped.

Figure 23: Unicast RPF Dropping Packets That Fail Verification



## Implementation of Unicast Reverse Path Forwarding Notification

Unicast RPF is a security feature that verifies the validity of the source IP of an incoming packet. When a packet arrives at an interface and its source IP is unknown in the routing table or is a known bad source address, Unicast RPF drops the packet. IP verification of the source is done to prevent the DoS attacks by detecting problems with the incoming packets on an interface. However, deploying Unicast RPF without some automated monitoring capability is a challenge.

The CISCO-IP-URPF-MIB lets you specify a Unicast RPF drop-rate threshold on interfaces of a managed device that will send an SNMP notification when the threshold is exceeded. The MIB includes objects for specifying global and per-interface drop counts and drop rates and a method to generate SNMP traps when the drop rate exceeds a configurable per-interface threshold.

Although you can configure some parameters globally, you must configure the CISCO-IP-URPF-MIB on individual interfaces.

## Security Policy and Unicast RPF

When determining how to deploy Unicast Reverse Path Forwarding (RPF), consider the following points:

- Apply Unicast RPF at the downstream interface, away from the larger portion of the network, preferably at the edges of your network. The further you apply Unicast RPF, the finer the granularity you have in mitigating address spoofing and in identifying sources of spoofed addresses. For example, applying Unicast RPF on an aggregation device helps to mitigate attacks from many downstream networks or

clients and is simple to administer, but Unicast RPF does not help in identifying the source of the attack. Applying Unicast RPF at the network access server helps to limit the scope of the attack and trace the source of the attack. However, deploying Unicast RPF across many sites adds to the administration cost of operating a network.

- When you deploy Unicast RPF on many entities on a network (for example, across the Internet, intranet, and extranet resources), you have better chances of mitigating large-scale network disruptions throughout the Internet community, and of tracing the source of an attack.
- Unicast RPF does not inspect IP packets that are encapsulated in tunnels, such as the generic routing encapsulation (GRE), Layer 2 Tunneling Protocol (L2TP), or Point-to-Point Tunneling Protocol (PPTP). Configure Unicast RPF on a home gateway so that Unicast RPF processes network traffic only after tunneling and encryption layers are stripped off from the packets.

## Ingress and Egress Filtering Policy for Unicast RPF

Unicast RPF can be more effective at mitigating spoofing attacks when combined with a policy of ingress and egress filtering by using ACLs.

Ingress filtering applies filters to traffic that is received at a network interface from either internal or external networks. With ingress filtering, packets that arrive from other networks or the Internet and that have a source address that matches a local network or private or broadcast addresses are dropped. For example, in ISP environments, ingress filtering can be applied to traffic that is received at a device from either a client (customer) or the Internet.

Egress filtering applies filters to the traffic that exits a network interface (the sending interface). By filtering packets on devices that connect your network to the Internet or to other networks, you can permit only packets with valid source IP addresses to leave your network.

For more information on network filtering, refer to RFC 2267, *Network Ingress Filtering: Defeating Denial of Service Attacks which employ IP Source Address Spoofing*.

## Where to Use Unicast Reverse Path Forwarding

Unicast RPF can be used in any “single-homed” environment where there is essentially only one access point out of the network, which means that there is only one upstream connection to the network. Networks having one access point offer the best example of symmetric routing, which means that the interface where a packet enters the network is also the best return path to the source of the IP packet. Unicast RPF is best used at the network perimeter for Internet, intranet, or extranet environments, or in ISP environments for customer network terminations.

## Routing Table Requirements

Unicast Reverse Path Forwarding (RPF) uses the routing information in Cisco Express Forwarding tables for routing traffic. The amount of routing information that must be available in Cisco Express Forwarding tables depends on the device where Unicast RPF is configured and the functions the device performs in the network. For example, in an ISP environment where a device is a leased-line aggregation device for customers, the information about static routes that are redistributed into the Interior Gateway Protocol (IGP) or Internal Border Gateway Protocol (IBGP) (depending on which technique is used in the network) is required in the routing table. Because Unicast RPF is configured on customer interfaces, only minimal routing information is required. If a single-homed ISP configures Unicast RPF on the gateway to the Internet, the full Internet

routing table information is required by Unicast RPF to help protect the ISP from external denial of service (DoS) attacks that use addresses that are not in the Internet routing table.

## Where Not to Use Unicast Reverse Path Forwarding

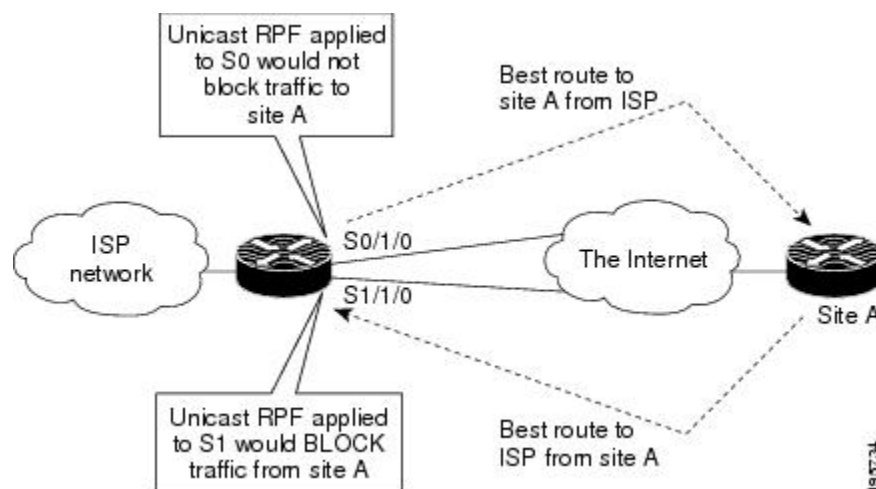
Do not use unicast RPF on interfaces that are internal to a network. Internal interfaces are likely to have routing asymmetry (see the figure below), which means that there can be multiple routes to the source of a packet. Unicast RPF is applied only where there is a natural or configured symmetry.

For example, devices at the edge of an ISP network are more likely to have symmetrical reverse paths than devices that are in the core of an ISP network. The best forwarding path to forward packets from devices that are at the core of an ISP network may not be the best forwarding path that is selected for packets that are returned to the device.

We recommend that you do not apply Unicast RPF where there is a chance of asymmetric routing, unless you configure access control lists (ACLs) to allow the device to accept incoming packets. ACLs permit the use of Unicast RPF when packets arrive through specific, less-optimal asymmetric input paths.

The figure below illustrates how Unicast RPF can block legitimate traffic in an asymmetric routing environment.

**Figure 24: Unicast RPF Blocking Legitimate Traffic in an Asymmetric Routing Environment**



## Unicast Reverse Path Forwarding with BOOTP and DHCP

Unicast RPF allows packets with 0.0.0.0 as the source IP address and 255.255.255.255 as the destination IP address to pass through a network to enable Bootstrap Protocol (BOOTP) and DHCP functions to work properly when Unicast RPF is configured.

## How to Configure Unicast Reverse Path Forwarding

The following section provide configuration information about unicast reverse path forwarding.

## Configuring Unicast Reverse Path Forwarding

### Before you begin

To use Unicast Reverse Path Forwarding, you must configure a device for Cisco Express Forwarding switching or distributed Cisco Express Forwarding switching. If Cisco Express Forwarding is not enabled globally on a device, Unicast RPF will not work on that device. If Cisco Express Forwarding is running on a device, individual interfaces on the device can be configured with other switching modes. Unicast RPF is an input-side function that is enabled on an interface or subinterface that supports any type of encapsulation, and Unicast RPF operates on IP packets that are received by the device.

### Procedure

	Command or Action	Purpose
<b>Step 1</b>	<b>enable</b> <b>Example:</b> Device> enable	Enables privileged EXEC mode. Enter your password if prompted.
<b>Step 2</b>	<b>configure terminal</b> <b>Example:</b> Device# configure terminal	Enters global configuration mode.
<b>Step 3</b>	<b>ip cef distributed</b> <b>Example:</b> Device(config)# ip cef distributed	Enables Cisco Express Forwarding or distributed Cisco Express Forwarding on a device.
<b>Step 4</b>	<b>interface slot/subslot/port</b> <b>Example:</b> Device(config)# interface GigabitEthernet 0/0	Selects the input interface on which you want to apply Unicast Reverse Path Forwarding and enters interface configuration mode. The interface that is configured is the receiving interface, which allows Unicast RPF to verify the best return path before forwarding a packet to the next destination.
<b>Step 5</b>	<b>ip verify unicast reverse-path list</b> <b>Example:</b> Device(config-if)# ip verify unicast reverse-path 197	Enables Unicast RPF on the interface. <ul style="list-style-type: none"> <li>• Use the <i>list</i> argument to identify an access list. If the access list denies network access, spoofed packets are dropped at the interface. If the access list permits network access, spoofed packets are forwarded to the destination address. Forwarded packets are counted in the interface statistics. If the access list includes the logging option, information about the spoofed packets is logged to the log server.</li> <li>• Repeat this step for each access list that you want specify</li> </ul>



	Command or Action	Purpose
<b>Step 6</b>	<b>exit</b>  <b>Example:</b> Device(config-if)# exit	Exits interface configuration mode.

## Troubleshooting Tips

### HSRP Failure

The failure to disable Unicast RPF before disabling Cisco Express Forwarding can cause a Hot Standby Router Protocol (HSRP) failure. If you want to disable Cisco Express Forwarding on a device, you must first disable Unicast RPF.

## Monitoring and Maintaining Unicast Reverse Path Forwarding

This section describes commands used to monitor and maintain unicast RPF.

Command	Purpose
Device# <b>show ip traffic</b>	Displays global router statistics about Unicast RPF drops and suppressed drops.
Device# <b>show ip interface type</b>	Displays per-interface statistics about Unicast RPF drops and suppressed drops.
Device# <b>show access-lists</b>	Displays the number of matches to a specific ACL.
Device(config-if)# <b>no ip verify unicast reverse-path list</b>	Disables Unicast RPF at the interface. Use the <i>list</i> option to disable Unicast RPF for a specific ACL at the interface.



**Caution** To disable CEF, you must first disable Unicast RPF. Failure to disable Unicast RPF before disabling CEF can cause HSRP failure. If you want to disable CEF on the router, you must first disable Unicast RPF.

Unicast RPF counts the number of packets dropped or suppressed because of malformed or forged source addresses. Unicast RPF counts dropped or forwarded packets that include the following global and per-interface information:

- Global Unicast RPF drops
- Per-interface Unicast RPF drops
- Per-interface Unicast RPF suppressed drops

The **show ip traffic** command shows the total number (global count) of dropped or suppressed packets for all interfaces on the router. The Unicast RPF drop count is included in the IP statistics section.

```

Device# show ip traffic

IP statistics:
  Rcvd: 1471590 total, 887368 local destination
        0 format errors, 0 checksum errors, 301274 bad hop count
        0 unknown protocol, 0 not a gateway
        0 security failures, 0 bad options, 0 with options
  Opts: 0 end, 0 nop, 0 basic security, 0 loose source route
        0 timestamp, 0 extended security, 0 record route
        0 stream ID, 0 strict source route, 0 alert, 0 other
  Frags: 0 reassembled, 0 timeouts, 0 couldn't reassemble
        0 fragmented, 0 couldn't fragment
  Bcast: 205233 received, 0 sent
  Mcast: 463292 received, 462118 sent
  Sent: 990158 generated, 282938 forwarded
  ! The second line below ("0 unicast RPF") displays Unicast RPF packet dropping
  information.
  Drop: 3 encapsulation failed, 0 unresolved, 0 no adjacency
        0 no route, 0 unicast RPF, 0 forced drop

```

A nonzero value for the count of dropped or suppressed packets can mean one of two things:

- Unicast RPF is dropping or suppressing packets that have a bad source address (normal operation).
- Unicast RPF is dropping or suppressing legitimate packets because the route is misconfigured to use Unicast RPF in environments where asymmetric routing exists; that is, where multiple paths can exist as the best return path for a source address.

The **show ip interface** command shows the total of dropped or suppressed packets at a specific interface. If Unicast RPF is configured to use a specific ACL, that ACL information is displayed along with the drop statistics.

```

Device> show ip interface ethernet0/1/1

Unicast RPF ACL 197
  1 unicast RPF drop
  1 unicast RPF suppressed drop

```

The **show access-lists** command displays the number of matches found for a specific entry in a specific access list.

```

Device> show access-lists

Extended IP access list 197
  deny ip 192.168.201.0 0.0.0.63 any log-input (1 match)
  permit ip 192.168.201.64 0.0.0.63 any log-input (1 match)
  deny ip 192.168.201.128 0.0.0.63 any log-input
  permit ip 192.168.201.192 0.0.0.63 any log-input

```

## Example: Configuring Unicast RPF

```

Device# configure terminal
Device(config)# ip cef distributed
Device(config)# interface GigabitEthernet 1/0/2
Device(config-if)# description Connection to Upstream ISP
Device(config-if)# ip address 209.165.200.225 255.255.255.252
Device(config-if)# no ip redirects
Device(config-if)# no ip directed-broadcast

```

```

Device(config-if)# no ip proxy-arp
Device(config-if)# ip verify unicast reverse-path

Device# configure terminal
Device(config)# ip cef distributed
Device(config)# interface GigabitEthernet 1/0/2
Device(config-if)# description Connection to Upstream ISP
Device(config-if)# ip address 209.165.200.225 255.255.255.252
Device(config-if)# no ip redirects
Device(config-if)# no ip directed-broadcast
Device(config-if)# no ip proxy-arp
Device(config-if)# ip verify unicast source reachable-via rx

```

## Feature History for Unicast Reverse Path Forwarding

This table provides release and related information for the features explained in this module.

These features are available in all the releases subsequent to the one they were introduced in, unless noted otherwise.

Release	Feature	Feature Information
Cisco IOS XE Everest 16.5.1a	Unicast Reverse Path Forwarding	Unicast RPF feature helps to mitigate problems that are caused by the introduction of malformed or forged (spoofed) IP source addresses into a network by discarding IP packets that lack a verifiable IP source address.  Support for this feature was introduced only on the C9500-12Q, C9500-16X, C9500-24Q, C9500-40X models of the Cisco Catalyst 9500 Series Switches.
Cisco IOS XE Fuji 16.8.1a	Unicast Reverse Path Forwarding	Support for this feature was introduced only on the C9500-32C, C9500-32QC, C9500-48Y4C, and C9500-24Y4C models of the Cisco Catalyst 9500 Series Switches.
Cisco IOS XE Cupertino 17.7.1	Unicast Reverse Path Forwarding	Support for this feature was introduced on the C9500X-28C8D model of the Cisco Catalyst 9500 Series Switches.

Use the Cisco Feature Navigator to find information about platform and software image support. To access Cisco Feature Navigator, go to <https://cfngn.cisco.com/>





## CHAPTER 40

# Configuring Generic Routing Encapsulation(GRE) Tunnel IP Source and Destination VRF Membership

---

- [Restrictions for GRE Tunnel IP Source and Destination VRF Membership, on page 539](#)
- [Information About GRE Tunnel IP Source and Destination VRF Membership, on page 540](#)
- [How to Configure GRE Tunnel IP Source and Destination VRF Membership, on page 540](#)
- [Configuration Example for GRE Tunnel IP Source and Destination VRF Membership, on page 541](#)
- [Additional References, on page 542](#)
- [Feature History for Generic Routing Encapsulation Tunnel IP Source and Destination VRF Membership, on page 542](#)

## Restrictions for GRE Tunnel IP Source and Destination VRF Membership

- Both ends of the tunnel must reside within the same VRF.
- The VRF associated with the tunnel vrf command is the same as the VRF associated with the physical interface over which the tunnel sends packets (outer IP packet routing).
- The VRF associated with the tunnel by using the ip vrf forwarding command is the VRF that the packets are to be forwarded in as the packets exit the tunnel (inner IP packet routing).
- The feature does not support the fragmentation of multicast packets passing through a multicast tunnel.
- The feature does not support the ISIS (Intermediate System to intermediate system) protocol.
- The following restrictions are applicable on the Cisco Catalyst 9500X Series Switches:
  - A tunnel cannot be formed over an switched virtual interface (SVI).
  - Only 16 unique tunnel sources are supported.
  - OSPFv3 is not supported on GRE tunnels.
  - Each interface must be configured with a unique combination of tunnel source and destination.
  - BFD is not supported on GRE tunnels.

- Keepalive is not supported on VRF aware GRE tunnels.

## Information About GRE Tunnel IP Source and Destination VRF Membership

This feature allows you to configure the source and destination of a tunnel to belong to any Virtual Private Network (VPN) routing and forwarding (VRF) table. A VRF table stores routing data for each VPN. The VRF table defines the VPN membership of a customer site attached to the network access server (NAS). Each VRF table comprises an IP routing table, a derived Cisco Express Forwarding (CEF) table, and guidelines and routing protocol parameters that control the information that is included in the routing table.

Previously, GRE IP tunnels required the IP tunnel destination to be in the global routing table. The implementation of this feature allows you to configure a tunnel source and destination to belong to any VRF. As with existing GRE tunnels, the tunnel becomes disabled if no route to the tunnel destination is defined.

## How to Configure GRE Tunnel IP Source and Destination VRF Membership

Follow these steps to configure GRE Tunnel IP Source and Destination VRF Membership:

### Procedure

	Command or Action	Purpose
<b>Step 1</b>	<b>enable</b>  <b>Example:</b> Device> <b>enable</b>	Enables privileged EXEC mode.  • Enter your password if prompted.
<b>Step 2</b>	<b>configure terminal</b>  <b>Example:</b> Device# <b>configure terminal</b>	Enters global configuration mode.
<b>Step 3</b>	<b>interface tunnel</b> <i>number</i>  <b>Example:</b> Device (config)# <b>interface tunnel 0</b>	Enters interface configuration mode for the specified interface.  • <i>number</i> is the number associated with the tunnel interface.
<b>Step 4</b>	<b>ip vrf forwarding</b> <i>vrf-name</i>  <b>Example:</b> Device (config-if)# <b>ip vrf forwarding green</b>	Associates a virtual private network (VPN) routing and forwarding (VRF) instance with an interface or subinterface.  • <i>vrf-name</i> is the name assigned to a VRF.
<b>Step 5</b>	<b>ip address</b> <i>ip-address subnet-mask</i>  <b>Example:</b>	Specifies the interface IP address and subnet mask.

	Command or Action	Purpose
	Device(config-if)# <b>ip address</b> 10.7.7.7 255.255.255.255	<ul style="list-style-type: none"> <li>• <i>ip-address</i> specifies the IP address of the interface.</li> <li>• <i>subnet-mask</i> specifies the subnet mask of the interface.</li> </ul>
<b>Step 6</b>	<b>tunnel source</b> { <i>ip-address</i>   <i>type number</i> }  <b>Example:</b> Device(config-if)# <b>tunnel source</b> loop 0	Specifies the source of the tunnel interface. <ul style="list-style-type: none"> <li>• <i>ip-address</i> specifies the IP address to use as the source address for packets in the tunnel.</li> <li>• <i>type</i> specifies the interface type (for example, serial).</li> <li>• <i>number</i> specifies the port, connector, or interface card number. The numbers are assigned at the factory at the time of installation or when added to a system, and can be displayed using the show interfaces command.</li> </ul>
<b>Step 7</b>	<b>tunnel destination</b> { <i>hostname</i>   <i>ip-address</i> }  <b>Example:</b> Device(config-if)# <b>tunnel destination</b> 10.5.5.5	Defines the tunnel destination. <ul style="list-style-type: none"> <li>• <i>hostname</i> specifies the name of the host destination.</li> <li>• <i>ip-address</i> specifies the IP address of the host destination.</li> </ul>
<b>Step 8</b>	<b>tunnel vrf</b> <i>vrf-name</i>  <b>Example:</b> Device(config-if)# <b>tunnel vrf</b> <b>finance1</b>	Associates a VPN routing and forwarding (VRF) instance with a specific tunnel destination. <ul style="list-style-type: none"> <li>• <i>vrf-name</i> is the name assigned to a VRF.</li> </ul>

## Configuration Example for GRE Tunnel IP Source and Destination VRF Membership

In this example, packets received on interface e0 using VRF green are forwarded out of the tunnel through interface e1 using VRF blue.

```
ip vrf blue rd 1:1

ip vrf green rd 1:2

interface loop0
ip vrf forwarding blue
ip address 10.7.7.7 255.255.255.255
```

```

interface tunnel0
ip vrf forwarding green
ip address 10.3.3.3 255.255.255.0 tunnel source loop 0
tunnel destination 10.5.5.5 tunnel vrf blue

interface ethernet0
ip vrf forwarding green
ip address 10.1.1.1 255.255.255.0

interface ethernet1
ip vrf forwarding blue
ip address 10.2.2.2 255.255.255.0

ip route vrf blue 10.5.5.5 255.255.255.0 ethernet 1

```

## Additional References

**Table 43: Related Documents**

Related Topic	Document Title
VRF tables	"Configuring Multiprotocol Label Switching" chapter of the Cisco IOS Switching Services Configuration Guide, Release 12.2
Tunnels	Cisco IOS Interface Configuration Guide, Release 12.2

## Feature History for Generic Routing Encapsulation Tunnel IP Source and Destination VRF Membership

This table provides release and related information for the features explained in this module.

These features are available in all the releases subsequent to the one they were introduced in, unless noted otherwise.

Release	Feature	Feature Information
Cisco IOS XE Everest 16.5.1a	Generic Routing Encapsulation(GRE) Tunnel IP Source and Destination VRF Membership	GRE Tunnel IP Source and Destination VRF Membership feature allows you to configure the source and destination of a tunnel to belong to any VPN VRF table.  Support for this feature was introduced only on the C9500-12Q, C9500-16X, C9500-24Q, C9500-40X models of the Cisco Catalyst 9500 Series Switches.



Release	Feature	Feature Information
Cisco IOS XE Fuji 16.8.1a	Generic Routing Encapsulation(GRE) Tunnel IP Source and Destination VRF Membership	GRE Tunnel IP Source and Destination VRF Membership feature allows you to configure the source and destination of a tunnel to belong to any VPN VRF table.  Support for this feature was introduced only on the C9500-32C, C9500-32QC, C9500-48Y4C, and C9500-24Y4C models of the Cisco Catalyst 9500 Series Switches.
Cisco IOS XE Cupertino 17.7.1	Generic Routing Encapsulation(GRE) Tunnel IP Source and Destination VRF Membership	Support for this feature was introduced on the C9500X-28C8D model of the Cisco Catalyst 9500 Series Switches.

Use the Cisco Feature Navigator to find information about platform and software image support. To access Cisco Feature Navigator, go to <https://cfng.cisco.com/>





## CHAPTER 41

# Configuring Unicast and Multicast over Point-to-Multipoint GRE

---

- [Prerequisites for Unicast and Multicast over Point-to-Multipoint GRE](#), on page 545
- [Restrictions for Unicast and Multicast over Point-to-Multipoint GRE](#), on page 545
- [Information About Unicast and Multicast over Point-to-Multipoint GRE](#), on page 546
- [How to Configure Unicast and Multicast over Point-to-Multipoint GRE](#), on page 548
- [Configuration Examples for Unicast and Multicast over Point-to-Multipoint GRE](#), on page 555
- [Feature History for Unicast and Multicast over Point-to-Multipoint GRE](#), on page 557

## Prerequisites for Unicast and Multicast over Point-to-Multipoint GRE

- Before configuring multicast routing over multipoint Generic Routing Encapsulation (mGRE), you should be familiar with the concepts of IP multicast routing technology and mGRE tunneling.

## Restrictions for Unicast and Multicast over Point-to-Multipoint GRE

- IPv6 multicast over mGRE tunnel is not supported.
- mGRE tunnel maximum transmission unit (MTU) does not get auto updated upon IP MTU change in the underlying network. Tunnel MTU has to be updated manually.
- mGRE can use only IPv4 as the transport protocol, and can tunnel both IPv4 and IPv6 packets across the underlying network infrastructure.
- Only IPv4 Next Hop Resolution Protocol (NHRP) is supported, and as a result, a non-broadcast multiple access network (NBMA) can only be IPv4.
- Bidirectional Protocol Independent Multicast (PIM) is not supported.
- Tunnel source can be a Layer 3 etherchannel, loopback, physical, or Switched Virtual Interface (SVI).

- No feature interactions such as access control list (ACL), Cisco Discovery Protocol, Crypto support, IPSec, or quality of service (QoS) are supported on the mGRE tunnel.
- All routing protocol that uses multicast requires additional configurations.

## Information About Unicast and Multicast over Point-to-Multipoint GRE

### Information About NHRP

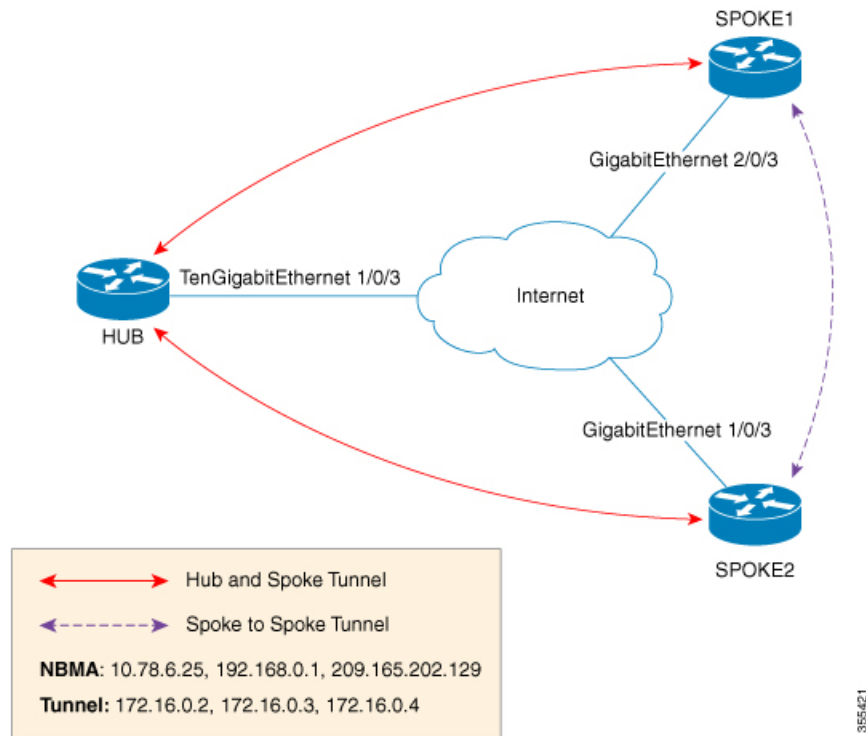
The Next Hop Resolution Protocol (NHRP) is like the Address Resolution Protocol (ARP) that dynamically maps a non-broadcast multiaccess (NBMA) network instead of manually configuring all the tunnel end points. With NHRP, systems attached to an NBMA network can dynamically learn the NBMA physical address of other systems that are part of that network, allowing these systems to directly communicate.

This protocol provides an ARP-like solution which allow station data-link addresses to dynamically determine NHRP as a client and server protocol, where the hub is the Next Hop Server (NHS) and the spokes are the Next Hop Clients (NHCs). The hub maintains an NHRP database of public interface addresses of each spoke. Each spoke registers its non-NBMA (real) address when it boots up and queries the NHRP database for addresses of the destination spokes to build direct tunnels.

### Information About mGRE

The traditional implementation of a GRE tunnel involves the configuration of a point-to-point tunnel going between two sites. This type of configuration works well when there are limited number of tunnels that need to be configured. However, if there are a large number of spoke sites, the configuration of the hub router and the number of independent IP address ranges (one per tunnel) can quickly get excessive. In such cases, you can use Multipoint GRE (mGRE) at the hub site and normal point-to-point GRE configuration at the spokes. mGRE is configured over an IPv4 core/underlying network and allows multiple destinations to be grouped into a single multipoint interface.

Figure 25: Sample mGRE Configuration at Hub and Spokes



There are two different ways to configure mGRE on the hub and leave a normal GRE configuration on spokes:

- Static NHRP mapping statements on the hub router
- Dynamic NHRP mapping on the hub router

In static mappings, the hub router is manually configured with the spoke IP in the NHRP configuration and spokes are configured as point-to-point GRE tunnels. But if there are several branch routers, the configuration on the hub router becomes lengthy, and dynamic NHRP is used on the hub router. When using dynamic NHRP, the hub router requires that each of the spoke routers be configured to register with a Next Hop Server (NHS), which would also typically be the hub router. This NHS keeps track of the NHRP mappings so that the hub device knows where to send traffic (sent to multiple tunnel destinations). For this configuration to work correctly the IP address of the NHS server must also be statically mapped on spoke routers.

With the above hub-spoke topology, the only available way for spokes to send traffic to other spokes is to forward traffic through the hub. This requires an extra hop that may not be required when forwarding traffic. Each of the spokes has the ability to forward traffic directly to each other on the underlying IP network. When this happens, it will be more efficient for the spoke-to-spoke traffic to be routed directly between the spokes without having to jump through the hub router.

If both the hub and spokes are configured to use mGRE then the ability to set up dynamic spoke-to-spoke tunnels is permitted. With this configuration, each spoke still use the hub as an NHS which allows the hub to keep track of each of the spoke sites. It also allows mGRE and NHRP to work together to inform the spokes what the forwarding information is for the other spokes. This information can then be used for each of the spokes to dynamically set up mGRE tunnels between each of the other spokes, as required.

# How to Configure Unicast and Multicast over Point-to-Multipoint GRE

## Configuring Unicast mGRE for Hub

Perform this task to configure unicast mGRE for a hub:

### Procedure

	Command or Action	Purpose
<b>Step 1</b>	<b>enable</b> <b>Example:</b>  Device> <b>enable</b>	Enables privileged EXEC mode. Enter your password if prompted.
<b>Step 2</b>	<b>configure terminal</b> <b>Example:</b>  Device# <b>configure terminal</b>	Enters global configuration mode.
<b>Step 3</b>	<b>interface tunnel <i>tunnel-number</i></b> <b>Example:</b>  Device (config)# <b>interface tunnel 1</b>	Configures an interface and enters interface configuration mode.
<b>Step 4</b>	<b>tunnel mode gre multipoint</b> <b>Example:</b>  Device (config-if)# <b>tunnel mode gre multipoint</b>	Configures multipoint GRE as the tunnel mode.
<b>Step 5</b>	<b>ip ospf network point-to-multipoint</b> <b>Example:</b>  Device (config-if)# <b>ip ospf network point-to-multipoint</b>	If the underlying protocol is OSPF, execute this command to set the network type to point-to-multipoint.
<b>Step 6</b>	<b>ip address <i>address mask</i></b> <b>Example:</b>  Device (config-if)# <b>ip address 10.1.1.1 255.255.255.255</b>	Configures the IP address of the tunnel.
<b>Step 7</b>	<b>ipv6 address <i>address prefix</i></b> <b>Example:</b>  Device (config-if)# <b>ipv6 address 2001:DB8:1::1</b>	Configures the IPv6 address of the tunnel.

	Command or Action	Purpose
<b>Step 8</b>	<b>tunnel source</b> <i>address</i>  <b>Example:</b> Device(config-if)# <b>tunnel source</b> <b>TenGigabitEthernet1/0/3</b>	Configures the source IP address of the tunnel.
<b>Step 9</b>	<b>{ip   ipv6} nhrp network-id</b> <i>id</i>  <b>Example:</b> Device(config-if)# <b>ip nhrp network-id 1</b>	Defines the NHRP domain which differentiates if multiple NHRP domains (GRE tunnel interfaces) are available on the same NHRP router.
<b>Step 10</b>	<b>{ip   ipv6} nhrp registration timeout</b> <i>seconds</i>  <b>Example:</b> Device(config-if)# <b>ip nhrp registration timeout 30</b>	Changes the interval that NHRP NHCs take to send NHRP registration requests to configured NHRP NHSs.
<b>Step 11</b>	<b>{ip   ipv6} nhrp holdtime</b> <i>seconds</i>  <b>Example:</b> Device(config-if)# <b>ip nhrp holdtime 400</b>	Changes the number of seconds that NHRP NBMA addresses are advertised as valid in positive NHRP responses.
<b>Step 12</b>	<b>{ip   ipv6} nhrp authentication</b> <i>string</i>  <b>Example:</b> Device(config-if)# <b>ip nhrp authentication DMVPN</b>	Specifies an authentication string.
<b>Step 13</b>	<b>ip pim nbma-mode</b>  <b>Example:</b> Device(config-if)# <b>ip pim nbma-mode</b>	Configures a multiaccess WAN interface to be in non-broadcast multiaccess (NBMA) mode.
<b>Step 14</b>	<b>end</b>  <b>Example:</b> Device(config-if)# <b>end</b>	Exits interface configuration mode and returns to privileged EXEC mode.

## Configuring Unicast mGRE at a Spoke

Perform this task to configure unicast mGRE at spokes:

### Procedure

	Command or Action	Purpose
<b>Step 1</b>	<b>enable</b>  <b>Example:</b>  Device> <b>enable</b>	Enables privileged EXEC mode. Enter your password if prompted.

	Command or Action	Purpose
<b>Step 2</b>	<b>configure terminal</b> <b>Example:</b>  Device# <b>configure terminal</b>	Enters global configuration mode.
<b>Step 3</b>	<b>interface tunnel <i>tunnel-number</i></b> <b>Example:</b>  Device (config)# <b>interface tunnel 1</b>	Configures an interface and enters interface configuration mode.
<b>Step 4</b>	<b>ip nhrp map <i>ip-address nbma-address</i></b> <b>Example:</b>  Device (config-if)# <b>ip nhrp map 10.0.0.1 192.0.0.1</b>	Configures static IP-to-NBMA address mapping of a hub router on the spoke.
<b>Step 5</b>	<b>{ip   ipv6} nhrp map multicast <i>nbma-address</i></b> <b>Example:</b>  Device (config-if)# <b>ip nhrp map multicast 10.0.0.2</b>	Enables IP multicast and broadcast packets (example: routing protocol information) to be sent from the spoke to the hub.
<b>Step 6</b>	<b>ip nhrp nhs <i>nhs-address</i></b> <b>Example:</b>  Device (config-if)# <b>ip nhrp nhs 192.0.2.1</b>	Enables the spoke to send NHRP registration request to the hub. <ul style="list-style-type: none"> <li>• Here <i>nhs-address</i> is the tunnel address of the hub.</li> </ul>
<b>Step 7</b>	<b>ipv6 nhrp nhs <i>nhs-address</i></b> <b>Example:</b>  Device (config-if)# <b>ipv6 nhrp nhs 2001:DB8:1::2</b>	Enables the spoke to send an NHRP registration request to the hub. Here <i>nhs-address</i> is the IPv6 address of the hub tunnel.
<b>Step 8</b>	<b>ipv6 nhrp map <i>address/prefix nbma address</i></b> <b>Example:</b>  Device (config-if)# <b>ipv6 nhrp map 2001:DB8:1::3 192.0.2.2</b>	Configures static IPv6-to-NBMA address mapping of the hub on the spoke.
<b>Step 9</b>	<b>end</b> <b>Example:</b>  Device (config-if)# <b>end</b>	Exits interface configuration mode and returns to privileged EXEC mode.

## Configuring Unicast mGRE at the Hub

Perform this task to configure unicast mGRE at the hub:



## Procedure

	Command or Action	Purpose
<b>Step 1</b>	<b>enable</b> <b>Example:</b>  Device> <b>enable</b>	Enables privileged EXEC mode.  • Enter your password if prompted.
<b>Step 2</b>	<b>configure terminal</b> <b>Example:</b>  Device# <b>configure terminal</b>	Enters global configuration mode.
<b>Step 3</b>	<b>interface tunnel <i>tunnel-number</i></b> <b>Example:</b>  Device(config)# <b>interface tunnel 1</b>	Configures an interface and enters interface configuration mode.
<b>Step 4</b>	<b>{ip   ipv6} nhrp map multicast dynamic</b> <b>Example:</b> Device(config-if)# <b>ip nhrp map multicast dynamic</b>	Enables the NHRP server (hub) to create a broadcast/multicast mapping for the spoke when spoke routers register their unicast NHRP mapping with the hub.
<b>Step 5</b>	<b>{ip   ipv6} next-hop-self eigrp <i>number</i></b> <b>Example:</b> Device(config-if)# <b>ip next-hop-self eigrp 10</b>	Enables the hub to use the next received hop while sending routing protocol updates of one spoke to another, so that hosts behind hosts can be reached directly.
<b>Step 6</b>	<b>{ip   ipv6} split-horizon eigrp <i>number</i></b> <b>Example:</b> Device(config-if)# <b>ip split-horizon eigrp 10</b>	Enables routing protocol updates of one spoke to be sent to another spoke.
<b>Step 7</b>	<b>end</b> <b>Example:</b> Device(config-if)# <b>end</b>	Exits interface configuration mode and returns to privileged EXEC mode.

## Configuring Multicast mGRE

To configure multicast mGRE, configure unicast mGRE first and then perform this task:

## Procedure

	Command or Action	Purpose
<b>Step 1</b>	<b>enable</b> <b>Example:</b>	Enables privileged EXEC mode.  • Enter your password if prompted.

	Command or Action	Purpose
	Device> <b>enable</b>	
<b>Step 2</b>	<b>configure terminal</b> <b>Example:</b> Device# <b>configure terminal</b>	Enters global configuration mode.
<b>Step 3</b>	<b>interface tunnel <i>tunnel-number</i></b> <b>Example:</b> Device (config)# <b>interface tunnel 1</b>	Configures an interface and enters interface configuration mode.
<b>Step 4</b>	<b>ip pim nbma-mode</b> <b>Example:</b> Device (config-if)# <b>ip pim nbma-mode</b>	Configures a multiaccess WAN interface to be in NBMA mode.
<b>Step 5</b>	<b>ip pim sparse-mode</b> <b>Example:</b> Device (config-if)# <b>ip pim sparse-mode</b>	Enables IPv4 Protocol Independent Multicast (PIM) sparse mode on an interface.
<b>Step 6</b>	<b>end</b> <b>Example:</b> Device (config-if)# <b>end</b>	Exits interface configuration mode and returns to privileged EXEC mode.

## Verifying the mGRE Configuration

Use the following commands to verify the mGRE configuration:

### Procedure

#### Step 1

**enable**

#### Example:

```
Device>enable
```

Enables privileged EXEC mode.

- Enter your password if prompted.

#### Step 2

**show ip nhrp**

Displays IPv4 Next Hop Resolution Protocol (NHRP) mapping information.

#### Example:

```
Spoke2#show ip nhrp 10.0.0.1
```

```
10.0.0.1/32 via 10.0.0.1
  Tunnel0 created 00:03:13, expire 00:06:47
  Type: dynamic, Flags: router used nhop
  NBMA address: 192.0.0.1
```

```
Spoke2#show ip nhrp 10.0.0.3
```

```
10.0.0.3/32 via 10.0.0.3
  Tunnel0 created 22:57:58, never expire
  Type: static, Flags: used
  NBMA address: 192.0.0.3
```

### Step 3 show ipv6 nhrp

Displays IPv6 Next Hop Resolution Protocol (NHRP) mapping information.

#### Example:

```
HUB#show running-config | interface tunnel6
```

```
Building configuration...
```

```
Current configuration : 255 bytes
!
interface Tunnel6
 no ip address
 no ip redirects
 ipv6 address 2001:DB8:1::1/64
 ipv6 eigrp 10
 no ipv6 next-hop-self eigrp 10
 no ipv6 split-horizon eigrp 10
 ipv6 nhrp network-id 1
 tunnel source FortyGigabitEthernet1/0/19
 tunnel mode gre multipoint
end
```

```
HUB#show ipv6 nhrp
```

```
2001:DB8:1::5/128 via 2001:DB8:1::5
  Tunnel6 created 02:37:30, expire 00:07:29
  Type: dynamic, Flags: registered nhop
  NBMA address: 192.168.0.2
2001:DB8:1::2A7:42FF:FE83:CEA0/128 via 2001:DB8:1::5
  Tunnel6 created 02:37:30, expire 00:07:29
  Type: dynamic, Flags: registered
  NBMA address: 192.168.0.2
```

```
HUB#
```

```
Spoke1#show running-config | interface tunnel6
```

```
Building configuration...
```

```
Current configuration : 292 bytes
!
interface Tunnel6
 no ip address
 no ip redirects
 ipv6 address 2001::5/64
 ipv6 eigrp 10
 ipv6 nhrp map multicast 192.168.0.3
 ipv6 nhrp map 2001:DB8:1::1/64 192.168.0.3
 ipv6 nhrp network-id 1
 ipv6 nhrp nhs 2001:DB8:1::1
```

```
tunnel source FortyGigabitEthernet1/0/7
tunnel mode gre multipoint
end
```

```
Spoke1#show ipv6 nhrp
```

```
2001:DB8:1::/64 via 2001:DB8:1::1
  Tunnel6 created 02:46:17, never expire
  Type: static, Flags:
  NBMA address: 192.168.0.3
2001:DB8:1::2A7:42FF:FE83:CFE0/128 via 2001:DB8:1::2A7:42FF:FE83:CFE0
  Tunnel6 created 02:45:39, never expire
  Type: static, Flags: nhs-11
  NBMA address: 192.168.0.3
Spoke1#
```

#### Step 4 show ip route

Displays IPv4 content of the routing table.

##### Example:

```
Spoke2#show ip route 10.0.1.1
```

```
Routing entry for 10.0.1.1
  Known via "eigrp 10", distance 90, metric 26880256, type internal
  Redistributing via eigrp 10
  Last update from 10.0.0.3 on Tunnel0, 00:55:34 ago
  Routing Descriptor Blocks:
  * 10.0.0.3, from 10.0.0.3, 00:55:34 ago, via Tunnel0
    Route metric is 26880256, traffic share count is 1
    Total delay is 50010 microseconds, minimum bandwidth is 100 Kbit
    Reliability 255/255, minimum MTU 1472 bytes
    Loading 1/255, Hops 1
```

```
HUB#show ip route 10.0.1.2
```

```
Routing entry for 10.0.1.2/24
  Known via "eigrp 10", distance 90, metric 26880256, type internal
  Redistributing via eigrp 10
  Last update from 10.0.0.1 on Tunnel0, 00:56:45 ago
  Routing Descriptor Blocks:
  * 10.0.0.1, from 10.0.0.1, 00:56:45 ago, via Tunnel0
    Route metric is 26880256, traffic share count is 1
    Total delay is 50010 microseconds, minimum bandwidth is 100 Kbit
    Reliability 255/255, minimum MTU 1472 bytes
    Loading 1/255, Hops 1
```

```
HUB#
```

#### Step 5 show ipv6 route

Displays IPv6 content of the routing table.

##### Example:

```
Spoke1#show ipv6 route 2001:DB8:1::/64
```

```
Routing entry for 2001:DB8:1::/64
  Known via "eigrp 10", distance 90, metric 27008000, type internal
  Route count is 1/1, share count 0
  Routing paths:
    2001:DB8:1::2A7:42FF:FE83:CFE0, Tunnel6
    From 2001:DB8:1::2A7:42FF:FE83:CFE0
```

```

Last updated 00:03:07 ago
Spoke1#

HUB#show ipv6 route 2001:DB8:1::/64

Routing entry for 2001:DB8:1::/64
  Known via "eigrp 10", distance 90, metric 27008000, type internal
  Route count is 1/1, share count 0
  Routing paths:
    2001:DB8:1::2A7:42FF:FE83:CEA0, Tunnel6
      From 2001:DB8:1::2A7:42FF:FE83:CEA0
      Last updated 00:01:29 ago
HUB#

```

**Step 6**    **debug nhrp detail**

Displays NHRP registration and packet related information.

**Step 7**    **debug tunnel**

Displays tunnel state changes and packet related information.

## Configuration Examples for Unicast and Multicast over Point-to-Multipoint GRE

### Example: Configuring Unicast mGRE for Hub

This example shows how to configure unicast mGRE for the hub:

```

Device>enable
Device#configure terminal
Device(config)#interface tunnel 1
Device(config-if)#tunnel mode gre multipoint
Device(config-if)#ip ospf network point-to-multipoint
Device(config-if)#ip address 10.1.1.1 255.255.255.255
Device(config-if)#ipv6 address 2001:DB8:1::1
Device(config-if)#tunnel source TenGigabitEthernet1/0/3
Device(config-if)#ip nhrp network-id 1
Device(config-if)#ip nhrp registration timeout 30
Device(config-if)#ip nhrp holdtime 400
Device(config-if)#ip nhrp authentication DMVPN
Device(config-if)#ip pim nbma-mode
Device(config-if)#end

```

### Example: Configuring Unicast mGRE at Spoke

This example shows how to configure unicast mGRE at a spoke.

```

Device>enable
Device#configure terminal
Device(config)#interface tunnel 1

```

**Example: Configuring Unicast mGRE at Hub**

```

Device(config-if)#ip nhrp map 10.0.0.1 192.0.0.1
Device(config-if)#ip nhrp map multicast 10.0.0.2
Device(config-if)#ip nhrp nhs 192.0.2.1
Device(config-if)#ipv6 nhrp nhs 2001:DB8:1::2
Device(config-if)#ipv6 nhrp map 2001:DB8:1::3 192.0.2.2
Device(config-if)#end

```

**Example: Configuring Unicast mGRE at Hub**

This example shows how to configure unicast mGRE at the hub:

```

Device>enable
Device#configure terminal
Device(config)#interface tunnel 1
Device(config-if)#ip nhrp map multicast dynamic
Device(config-if)#ip next-hop-self eigrp 10
Device(config-if)#ip split-horizon eigrp 10
Device(config-if)#end

```

**Example: Configuring Multicast mGRE**

This example shows how to configure multicast mGRE:

```

Device>enable
Device#configure terminal
Device(config)#interface tunnel 1
Device(config-if)#ip pim nbma-mode
Device(config-if)#ip pim sparse-mode
Device(config-if)#end

```

**Sample mGRE Configuration at Hub and Spokes**

**Configuration at hub:**

```

Device(config)#interface Tunnel0
Device(config-if)#ip address 172.16.0.2 255.255.255.0
Device(config-if)#no ip redirects
Device(config-if)#ip nhrp authentication DMVPN
Device(config-if)#ip nhrp network-id 1
Device(config-if)#ip nhrp registration timeout 30
Device(config-if)#no ip next-hop-self eigrp 10
Device(config-if)#no ip split-horizon eigrp 10
Device(config-if)#tunnel source TenGigabitEthernet1/0/3
Device(config-if)#tunnel mode gre multipoint
Device(config-if)#tunnel key 4
Device(config-if)#end
Device(config)#interface TenGigabitEthernet1/0/3
Device(config-if)#no switchport
Device(config-if)#ip address 10.78.6.25 255.255.255.0
Device(config-if)#end

```

**Configuration at spoke1:**

```
Device(config)#interface Tunnel0
Device(config-if)#ip address 172.16.0.4 255.255.255.0
Device(config-if)#no ip redirects
Device(config-if)#ip nhrp authentication DMVPN
Device(config-if)#ip nhrp map 172.16.0.2 10.78.6.25
Device(config-if)#ip nhrp map multicast 10.78.6.25
Device(config-if)#ip nhrp network-id 1
Device(config-if)#ip nhrp nhs 172.16.0.2
Device(config-if)#ip nhrp registration timeout 30
Device(config-if)#tunnel source GigabitEthernet2/0/3
Device(config-if)#tunnel mode gre multipoint
Device(config-if)#tunnel key 4
Device(config-if)#end
Device(config)#interface GigabitEthernet2/0/3
Device(config-if)#no switchport
Device(config-if)#ip address 209.165.202.129 255.255.255.0
Device(config-if)#end
```

#### Configuration at spoke2:

```
Device(config)#interface Tunnel0
Device(config-if)#ip address 172.16.0.3 255.255.255.0
Device(config-if)#no ip redirects
Device(config-if)#ip nhrp authentication DMVPN
Device(config-if)#ip nhrp map 172.16.0.2 10.78.6.25
Device(config-if)#ip nhrp map multicast 10.78.6.25
Device(config-if)#ip nhrp network-id 1
Device(config-if)#ip nhrp nhs 172.16.0.2
Device(config-if)#ip nhrp registration timeout 30
Device(config-if)#tunnel source GigabitEthernet1/0/3
Device(config-if)#tunnel mode gre multipoint
Device(config-if)#tunnel key 4
Device(config-if)#end
Device(config)#interface GigabitEthernet1/0/3
Device(config-if)#no switchport
Device(config-if)#ip address 192.168.0.1 255.255.255.0
Device(config-if)#end
```

## Feature History for Unicast and Multicast over Point-to-Multipoint GRE

This table provides release and related information for the features explained in this module.

These features are available in all the releases subsequent to the one they were introduced in, unless noted otherwise.

Release	Feature	Feature Information
Cisco IOS XE Fuji 16.8.1a	Unicast and Multicast over Point-to-Multipoint GRE	<p>The Unicast and Multicast over Point-to-Multipoint GRE feature allows to configure mGRE at the hub site and normal point-to-point GRE configuration at the spokes.</p> <p>Support for this feature was introduced only on the C9500-32C, C9500-32QC, C9500-48Y4C, and C9500-24Y4C models of the Cisco Catalyst 9500 Series Switches.</p>

Use the Cisco Feature Navigator to find information about platform and software image support. To access Cisco Feature Navigator, go to <https://cfmng.cisco.com/>