



MACsec Encryption

- [Prerequisites for MACsec Encryption, on page 1](#)
- [Restrictions for MACsec Encryption, on page 1](#)
- [Information About MACsec Encryption, on page 2](#)
- [How to Configure MACsec Encryption, on page 10](#)
- [Configuration Examples for MACsec Encryption, on page 33](#)
- [Additional References for MACsec Encryption, on page 54](#)
- [Feature History for MACsec Encryption, on page 55](#)

Prerequisites for MACsec Encryption

Prerequisites for MACsec Encryption

- Enable the **ssci-based-on-sci** command while configuring MACsec encryption on the device to allow interoperability with non-Cisco and non-IOS XE devices.
- Ensure that 802.1x authentication and AAA are configured on your device.

Prerequisites for Certificate-Based MACsec

- Ensure that you have a Certificate Authority (CA) server configured for your network.
- Generate a CA certificate.
- Ensure that you have configured Cisco Identity Services Engine (ISE) Release 2.0.
- Ensure that both the participating devices, the CA server, and Cisco Identity Services Engine (ISE) are synchronized using Network Time Protocol (NTP). If time is not synchronized on all your devices, certificates will not be validated.

Restrictions for MACsec Encryption

- MACsec configuration is not supported on EtherChannel ports. Instead, MACsec configuration can be applied on the individual member ports of an EtherChannel. To remove MACsec configuration, you must first unbundle the member ports from the EtherChannel, and then remove it from the individual member ports.

- MACsec with MKA is supported only on point-to-point links.
- GCM-AES-256 and XPN cipher suites (GCM-AES-XPN-128 and GCM-AES-XPN-256) are supported only with Network Advantage license.
- The MACsec Cipher announcement is not supported for MACsec Extended Packet Numbering (XPN) Ciphers and switch-to-switch MACsec connections.
- MACsec XPN Cipher Suites are not supported in switch-to-host MACsec connections.
- MACsec XPN Cipher Suites do not provide confidentiality protection with a confidentiality offset, and these together are not supported in switch-to-switch MACsec connections.
- As per IEEE standards, the maximum value of replay window is 2^{30-1} for MACsec XPN Cipher Suites. Even if you configure a higher value than this, it will be restricted to 2^{30-1} only.
- Certificate-based MACsec is supported only if the access-session is configured as closed or in multiple-host mode. None of the other configuration modes are supported.
- If the **dot1q tag vlan native** command is configured globally, the dot1x reauthentication will fail on trunk ports.
- MACsec is not supported with Multicast VPN (mVPN).
- MACsec is not supported in Software-Defined Access deployments.
- **should-secure** access mode is supported on switch-to-switch ports only using PSK authentication.

Information About MACsec Encryption

The following sections provide information about MACsec encryption.

Recommendations for MACsec Encryption

This section lists the recommendations for configuring MACsec encryption:

- Use the confidentiality (encryption) offset as 0 in switch-to-host connections.
- Use Bidirectional Forwarding and Detection (BFD) timer value as 750 milliseconds for 10Gbps ports and 1.25 seconds for any port with speed above 10Gbps.
- Execute the **shutdown** command, and then the **no shutdown** command on a port, after changing any MKA policy or MACsec configuration for active sessions, so that the changes are applied to active sessions.
- Use Extended Packet Numbering (XPN) Cipher Suite for port speeds of 40Gbps and above.
- Set the connectivity association key (CAK) rekey overlap timer to 30 seconds or more.
- Do not use Cisco TrustSec Security Association Protocol (SAP) MACsec encryption for port speeds above 10Gbps.
- Do not enable both Cisco TrustSec SAP and uplink MKA at the same time on any interface.
- We recommend that you use MACsec MKA encryption.

MACsec Encryption Overview

MACsec is the IEEE 802.1AE standard for authenticating and encrypting packets between two MACsec-capable devices. Catalyst switches support 802.1AE encryption with MACsec Key Agreement (MKA) on switch-to-host links for encryption between the switch and host device. The switch also supports MACsec encryption for switch-to-switch (inter-network device) security using both Cisco TrustSec Network Device Admission Control (NDAC), Security Association Protocol (SAP) and MKA-based key exchange protocol.



Note When switch-to-switch MACSec is enabled, all traffic is encrypted, except the EAP-over-LAN (EAPOL) packets.

Link layer security can include both packet authentication between switches and MACsec encryption between switches (encryption is optional). Link layer security is supported on SAP-based MACsec.

Table 1: MACsec Support on Switch Ports

Connections	MACsec Support
Switch-to-Host	MACsec MKA Encryption
Switch-to-Switch	MACsec MKA encryption (recommended) Cisco TrustSec SAP

Cisco TrustSec and Cisco SAP are meant only for switch-to-switch links and are not supported on switch ports connected to end hosts, such as PCs or IP phones. MKA is supported on switch-to-host facing links as well as switch-to-switch links. Host-facing links typically use flexible authentication ordering for handling heterogeneous devices with or without IEEE 802.1x, and can optionally use MKA-based MACsec encryption. Cisco NDAC and SAP are mutually exclusive with Network Edge Access Topology (NEAT), which is used for compact switches to extend security outside the wiring closet.

Media Access Control Security and MACsec Key Agreement

MACsec, defined in 802.1AE, provides MAC-layer encryption over wired networks by using out-of-band methods for encryption keying. The MACsec Key Agreement (MKA) Protocol provides the required session keys and manages the required encryption keys. MKA and MACsec are implemented after successful authentication using the certificate-based MACsec or Pre Shared Key (PSK) framework.

A switch using MACsec accepts either MACsec or non-MACsec frames, depending on the policy associated with the MKA peer. MACsec frames are encrypted and protected with an integrity check value (ICV). When the switch receives frames from the MKA peer, it decrypts them and calculates the correct ICV by using session keys provided by MKA. The switch compares that ICV to the ICV within the frame. If they are not identical, the frame is dropped. The switch also encrypts and adds an ICV to any frames sent over the secured port (the access point used to provide the secure MAC service to a MKA peer) using the current session key.

The MKA Protocol manages the encryption keys used by the underlying MACsec protocol. The basic requirements of MKA are defined in 802.1x-REV. The MKA Protocol extends 802.1x to allow peer discovery with confirmation of mutual authentication and sharing of MACsec secret keys to protect data exchanged by the peers.



Note Starting with Cisco IOS XE 16.12.1 release, support for MKA with high availability has been introduced for Cisco Catalyst 9500 High Performance Series Switches. The high availability feature enables a pair of route processors to act as backup for each other. With high availability support for MKA if there is an active RP failure, the stand-by RP takes over existing MKA sessions in a minimally-disruptive switchover.

The EAP framework implements MKA as a newly defined EAP-over-LAN (EAPOL) packet. EAP authentication produces a master session key (MSK) shared by both partners in the data exchange. Entering the EAP session ID generates a secure connectivity association key name (CKN). The switch acts as the authenticator for both switch-to-switch and switch-to-host; and acts as the key server for switch-to-host. It generates a random secure association key (SAK), which is sent to the client partner. The client is never a key server and can only interact with a single MKA entity, the key server. After key derivation and generation, the switch sends periodic transports to the partner at a default interval of 2 seconds.

The packet body in an EAPOL Protocol Data Unit (PDU) is referred to as a MACsec Key Agreement PDU (MKPDU). MKA sessions and participants are deleted when the MKA lifetime (6 seconds) passes with no MKPDU received from a participant. For example, if a MKA peer disconnects, the participant on the switch continues to operate MKA until 6 seconds have elapsed after the last MKPDU is received from the MKA peer.



Note Integrity check value (ICV) indicator in MKPDU is optional. ICV is not optional when the traffic is encrypted.

MKA Policies

You apply a defined MKA policy to an interface to enable MKA on the interface. Removing the MKA policy disables MKA on that interface. You can configure these options:

- Policy name, not to exceed 16 ASCII characters.
- Confidentiality (encryption) offset of 0, 30, or 50 bytes for each physical interface

Definition of Policy-Map Actions

This section describes the policy-map actions and its definition:

- **Activate:** Applies a service template to the session.
- **Authenticate:** Starts authentication of the session.
- **Authorize:** Explicitly authorizes a session.
- **Set-domain:** Explicitly sets the domain of a client.
- **Terminate:** Terminates the method that is running, and deletes all the method details associated with the session.
- **Deactivate:** Removes the service-template applied to the session. If not applied, no action is taken.
- **Set-timer:** Starts a timer and gets associated with the session. When the timer expires, any action that needs to be started can be processed.
- **Authentication-restart:** Restarts authentication.

- Clear-session: Deletes a session.
- Pause: Pauses authentication.

Rest of the actions as self-explanatory and are associated with authentication.

Virtual Ports

Use virtual ports for multiple secured connectivity associations on a single physical port. Each connectivity association (pair) represents a virtual port. In switch-to-switch, you can have only one virtual port per physical port. In switch-to-host, you can have a maximum of two virtual ports per physical port, of which one virtual port can be part of a data VLAN; the other must externally tag its packets for the voice VLAN. You cannot simultaneously host secured and unsecured sessions in the same VLAN on the same port. Because of this limitation, 802.1x multiple authentication mode is not supported.

The exception to this limitation is in multiple-host mode when the first MACsec supplicant is successfully authenticated and connected to a hub that is connected to the switch. A non-MACsec host connected to the hub can send traffic without authentication because it is in multiple-host mode. We do not recommend using multi-host mode because after the first successful client, authentication is not required for other clients.

Virtual ports represent an arbitrary identifier for a connectivity association and have no meaning outside the MKA Protocol. A virtual port corresponds to a separate logical port ID. Valid port IDs for a virtual port are 0x0002 to 0xFFFF. Each virtual port receives a unique secure channel identifier (SCI) based on the MAC address of the physical interface concatenated with a 16-bit port ID.

MKA Statistics

Some MKA counters are aggregated globally, while others are updated both globally and per session. You can also obtain information about the status of MKA sessions. See [Example: Displaying MKA Information, on page 48](#) for further information.

Key Lifetime and Hitless Key Rollover

A MACsec key chain can have multiple pre-shared keys (PSK) each configured with a key id and an optional lifetime. A key lifetime specifies at which time the key expires. In the absence of a lifetime configuration, the default lifetime is unlimited. When a lifetime is configured, MKA rolls over to the next configured pre-shared key in the key chain after the lifetime is expired. Time zone of the key can be local or UTC. Default time zone is UTC.

You can Key rolls over to the next key within the same key chain by configuring a second key in the key chain and configuring a lifetime for the first key. When the lifetime of the first key expires, it automatically rolls over to the next key in the list. If the same key is configured on both sides of the link at the same time, then the key rollover is hitless, that is, key rolls over without traffic interruption.

On all participating devices, the MACsec key chain must be synchronised by using Network Time Protocol (NTP) and the same time zone must be used. If all the participating devices are not synchronized, the connectivity association key (CAK) rekey will not be initiated on all the devices at the same time.



Note The lifetime of the keys need to be overlapped in order to achieve hitless key rollover.

Replay Protection Window Size

Replay protection is a feature provided by MACsec to counter replay attacks. Each encrypted packet is assigned a unique sequence number and the sequence is verified at the remote end. Frames transmitted through a Metro Ethernet service provider network are highly susceptible to reordering due to prioritization and load balancing mechanisms used within the network.

A replay window is necessary to support the use of MACsec over provider networks that reorder frames. Frames within the window can be received out of order, but are not replay protected. The default window size is 0, which enforces strict reception ordering. The replay window size can be configured in the range of 0 to $2^{32} - 1$. In case of XPN cipher suite, maximum replay window size is $2^{30} - 1$, and if a higher window size is configured, the window size gets restricted to $2^{30} - 1$. If the cipher suite is changed to a non-XPN cipher suite, then there is no restriction and the configured window size is used.

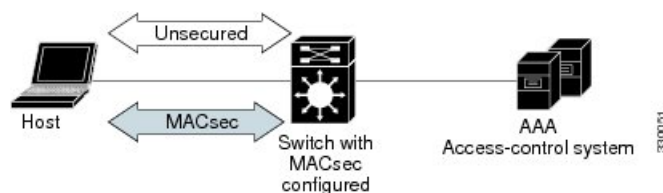
MACsec, MKA, and 802.1x Host Modes

You can use MACsec and the MKA Protocol with 802.1x single-host mode, multi-host mode, or Multi Domain Authentication (MDA) mode. Multiple authentication mode is not supported.

Single-Host Mode

The figure shows how a single EAP authenticated session is secured by MACsec by using MKA

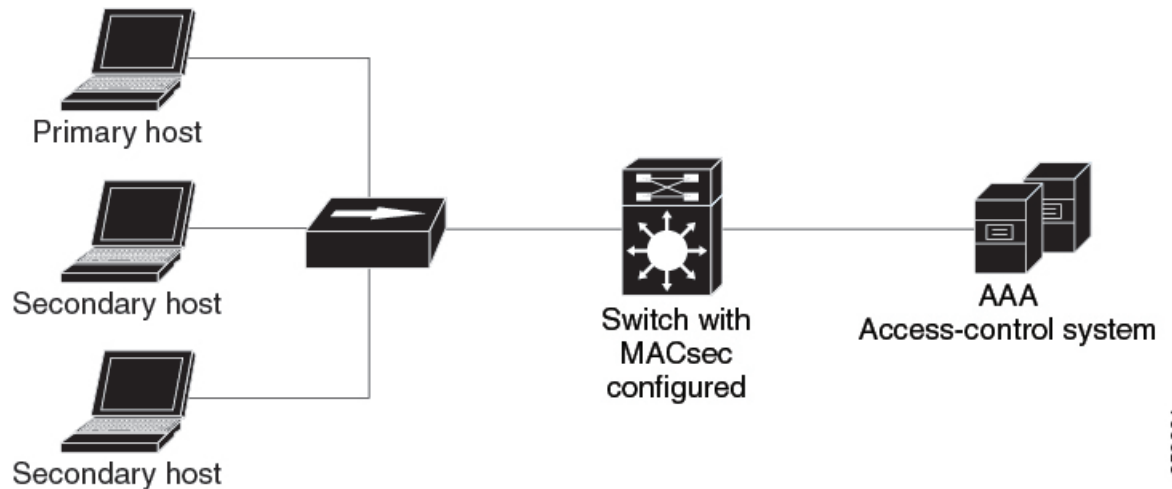
Figure 1: MACsec in Single-Host Mode with a Secured Data Session



Multiple Host Mode

In standard (not 802.1x REV) 802.1x multiple-host mode, a port is open or closed based on a single authentication. If one user, the primary secured client services client host, is authenticated, the same level of network access is provided to any host connected to the same port. If a secondary host is a MACsec supplicant, it cannot be authenticated and traffic would not flow. A secondary host that is a non-MACsec host can send traffic to the network without authentication because it is in multiple-host mode. The figure shows MACsec in Standard Multiple-Host Unsecure Mode.

Figure 2: MACsec in Multiple-Host Mode - Unsecured



253664



Note Multi-host mode is not recommended because after the first successful client, authentication is not required for other clients, which is not secure.

Multiple-Domain Mode

In standard (not 802.1x REV) 802.1x multiple-domain mode, a port is open or closed based on a single authentication. If the primary user, a PC on data domain, is authenticated, the same level of network access is provided to any domain connected to the same port. If a secondary user is a MACsec supplicant, it cannot be authenticated and traffic would not flow. A secondary user, an IP phone on voice domain, that is a non-MACsec host, can send traffic to the network without authentication because it is in multiple-domain mode.

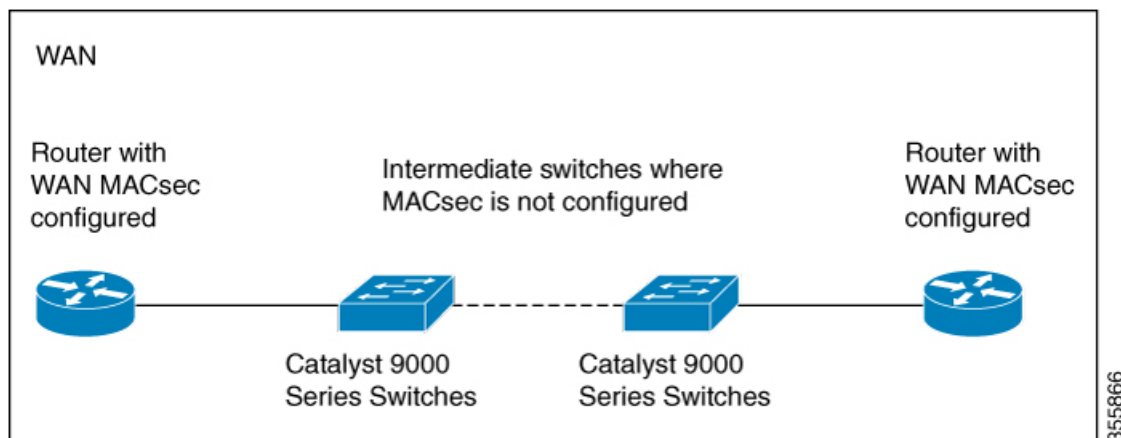
Certificate-Based MACsec Encryption

Using certificate-based MACsec encryption, you can configure MACsec MKA between device switch-to-switch ports. Certificate-based MACsec encryption allows mutual authentication and obtains an MSK (master session key) from which the connectivity association key (CAK) is derived for MKA operations. Device certificates are carried, using certificate-based MACsec encryption, for authentication to the AAA server.

MACsec Connections Across Intermediate Switches

Prior to Cisco IOS XE Gibraltar 16.10.1, MACsec connection between end devices which have WAN MACsec configured with the intermediate switches as the Cisco Catalyst 9000 Series Switches was not supported. The encrypted packets were dropped if WAN MACsec was configured on the end devices with MACsec not configured on the intermediate switches. With the ClearTag feature implemented on the ASIC, the switch forwards the encrypted packet without parsing the MACsec header. Below topology displays how the encrypted packets are forwarded through the intermediate switches with L2 switching.

Figure 3: Topology for ClearTag MACsec : MACsec Not Configured on the Intermediate Switches



Limitations for MACsec Connections Across Intermediate Switches

- Hop-by-hop MACsec encryption with Catalyst 9000 Series switches as intermediate switches where WAN MACsec is configured on the routers is not supported.
- WAN MACsec configured on the routers with intermediate switches as the Catalyst 9000 Series switches is not supported on Layer 3 VPNs.
- WAN MACsec configured on the routers with intermediate switches as the Catalyst 9000 Series switches show Cisco Discovery Protocol neighbors only in should-secure mode.

Switch-to-switch MKA MACsec Must Secure Policy

Starting with Cisco IOS XE Fuji 16.8.1a, must-secure support is enabled on both the ingress and the egress. Must-secure is supported for MKA and SAP. With must-secure enabled, only EAPoL traffic will not be encrypted. The rest of the traffic will be encrypted. Unencrypted packets are dropped.



Note Must-secure mode is enabled by default.

Prior to Cisco IOS XE Fuji 16.8.1a, should-secure was supported for MKA and SAP. With should-secure enabled, if the peer is configured for MACsec, the data traffic is encrypted, otherwise it is sent in clear text.

MACsec Extended Packet Numbering (XPN)

Every MACsec frame contains a 32-bit packet number (PN), and it is unique for a given Security Association Key (SAK). Upon PN exhaustion (after reaching 75% of $2^{31} - 1$), SAK rekey takes place to refresh the data plane keys. For high capacity links such as 40 Gb/s, PN exhausts within a few seconds, and frequent SAK rekey to the control plane is required. When XPN is used, the PN of the MACsec frame is a 64-bit value, after reaching 75% of $2^{63} - 1$, it will require several years to exhaust the PN; this ensures that frequent SAK rekey does not happen on high speed links. The XPN feature in MKA/MACsec eliminates the need for frequent SAK rekey that may occur in high capacity links. XPN is a mandatory requirement for FIPS/CC compliance on high speed links such as 40 Gb/s, 100 Gb/s, and so on.



Note MACsec XPN is supported only on the switch-to-switch ports.

The following rekey is possible in XPN:

- **Volume-based Rekey**—To ensure that frequent SAK rekey does not happen, you can configure XPN using the GCM-AES-XPN-128 or GCM-AES-XPN-256 cipher suites under the defined MKA policy; these cipher suites allow more than 2^{32} frames to be protected with a single SAK. XPN supports a 64-bit value for the PN. The MACsec frame contains only the lowest 32 bits and the most significant 32 bits would be maintained by the peer itself, both the sending and the receiving peers. The most significant 32 bits of the PN is incremented at the receiving end when the MSB (most significant bits) of LAPN (lowest acceptable packet number) for the respective peer is set, and the MSB of the PN value received in the MACsec frame is 0. Thus, both the sending and the receiving peer maintain the same PN value without changing the MACsec frame structure.
- **Time-based Rekey**—To set the SAK rekey manually, timer-based rekey is supported where you have the provision to start re-keying SAK at a given interval. Use the **sak rekey interval** *time-interval* command in MKA policy configuration mode to configure the SAK rekey interval for a defined MKA policy applied to the interface.

MKA/MACsec for Port Channel

MKA/MACsec can be configured on the port members of a port channel. MKA/MACsec is agnostic to the port channel since the MKA session is established between the port members of a port channel.



Note Etherchannel links that are formed as part of the port channel can either be congruent or disparate i.e. the links can either be MACsec-secured or non-MACsec-secured. MKA session between the port members is established even if a port member on one side of the port channel is not configured with MACsec.

It is recommended that you enable MKA/MACsec on all the member ports for better security of the port channel.

MACsec Cipher Announcement

Cipher Announcement allows the supplicant and the authenticator to announce their respective MACsec Cipher Suite capabilities to each other. Both the supplicant and the authenticator calculate the largest common supported MACsec Cipher Suite and use the same as the keying material for the MKA session.



Note Only the MACsec Cipher Suite capabilities which are configured in the MKA policy are announced from the authenticator to the supplicant.

There are two types of EAPOL Announcements:

- **Unsecured Announcements (EAPOL PDUs)** : Unsecured announcements are EAPOL announcements carrying MACsec Cipher Suite capabilities in an unsecured manner. These announcements are used to decide the width of the key used for MKA session prior to authentication.

- Secure Announcements (MKPDUs) : Secure announcements revalidate the MACsec Cipher Suite capabilities which were shared previously through unsecure announcements.

Once the session is authenticated, peer capabilities which were received through EAPOL announcements are revalidated with the secure announcements. If there is a mismatch in the capabilities, the MKA session tears down.



Note The MKA session between the supplicant and the authenticator does not tear down even if the MACsec Cipher Suite Capabilities configured on both do not result in a common cipher suite.

How to Configure MACsec Encryption

The following sections provide information about the various tasks that comprise MACsec encryption.

Configuring MKA and MACsec

By default, MACsec is disabled. No MKA policies are configured.

Configuring an MKA Policy

Beginning in privileged EXEC mode, follow these steps to create an MKA Protocol policy. Note that MKA also requires that you enable 802.1x.

Procedure

	Command or Action	Purpose
Step 1	enable Example: Device> enable	Enables privileged EXEC mode. Enter your password, if prompted.
Step 2	configure terminal Example: Device# configure terminal	Enters global configuration mode.
Step 3	mka policy policy-name Example: Device(config)# mka policy mka_policy	Identifies an MKA policy, and enters MKA policy configuration mode. The maximum policy name length is 16 characters.

	Command or Action	Purpose
		<p>Note The default MACsec cipher suite in the MKA policy will always be "GCM-AES-128". If the device supports both "GCM-AES-128" and "GCM-AES-256" ciphers, it is highly recommended to define and use a user defined MKA policy to include both 128 and 256 bits ciphers or only 256 bits cipher, as may be required.</p>
Step 4	<p>key-server priority</p> <p>Example:</p> <pre>Device(config-mka-policy)# key-server priority 200</pre>	<p>Configures MKA key server options and set priority (between 0-255).</p> <p>Note When value of key server priority is set to 255, the peer can not become the key server. The key server priority value is valid only for MKA PSK; and not for MKA EAPTLS.</p>
Step 5	<p>include-icv-indicator</p> <p>Example:</p> <pre>Device(config-mka-policy)# include-icv-indicator</pre>	<p>Enables the ICV indicator in MKPDU. Use the no form of this command to disable the ICV indicator.</p>
Step 6	<p>macsec-cipher-suite {<i>gcm-aes-128</i> <i>gcm-aes-256</i>}</p> <p>Example:</p> <pre>Device(config-mka-policy)# macsec-cipher-suite gcm-aes-128</pre>	<p>Configures a cipher suite for deriving SAK with 128-bit or 256-bit encryption.</p>
Step 7	<p>confidentiality-offset <i>offset-value</i></p> <p>Example:</p> <pre>Device(config-mka-policy)# confidentiality-offset 0</pre>	<p>Set the confidentiality (encryption) offset for each physical interface.</p> <p>Note Offset Value can be 0, 30 or 50. If you are using Anyconnect on the client, it is recommended to use Offset 0.</p>
Step 8	<p>ssci-based-on-sci</p> <p>Example:</p> <pre>Device(config-mka-policy)# ssci-based-on-sci</pre>	<p>(Optional) Computes Short Secure Channel Identifier (SSCI) value based on Secure Channel Identifier (SCI) value. The higher the SCI value, the lower is the SSCI value.</p>
Step 9	<p>end</p> <p>Example:</p>	<p>Exit enters MKA policy configuration mode and returns to privileged EXEC mode.</p>

	Command or Action	Purpose
	Device (config-mka-policy) # end	
Step 10	show mka policy Example: Device# show mka policy	Displays MKA policy configuration information.

Configuring Switch-to-host MACsec Encryption

Follow these steps to configure MACsec on an interface with one MACsec session for voice and one for data:

Procedure

	Command or Action	Purpose
Step 1	enable Example: Device> enable	Enables privileged EXEC mode. <ul style="list-style-type: none"> • Enter the password if prompted.
Step 2	configure terminal Example: Device# configure terminal	Enters the global configuration mode.
Step 3	interface <i>type number</i> Example: Device (config) # interface GigabitEthernet 1/0/1	Identifies the MACsec interface, and enters interface configuration mode. The interface must be a physical interface.
Step 4	switchport access vlan <i>vlan-id</i> Example: Device (config-if) # switchport access vlan 1	Configures the access VLAN for the port.
Step 5	switchport mode access Example: Device (config-if) # switchport mode access	Configures the interface as an access port.
Step 6	macsec Example: Device (config-if) # macsec	Enables 802.1ae MACsec on the interface. The macsec command enables MKA MACsec on switch-to-host links only.
Step 7	authentication event linksec fail action authorize vlan <i>vlan-id</i> Example: Device (config-if) # authentication event linksec fail action authorize vlan 1	(Optional) Specifies that the switch processes authentication link-security failures resulting from unrecognized user credentials by authorizing a restricted VLAN on the port after a failed authentication attempt.

	Command or Action	Purpose
Step 8	authentication host-mode multi-domain Example: Device(config-if) # authentication host-mode multi-domain	Configures authentication manager mode on the port to allow both a host and a voice device to be authenticated on the 802.1x-authorized port. If not configured, the default host mode is single.
Step 9	authentication linksec policy must-secure Example: Device(config-if) # authentication linksec policy must-secure	Sets the LinkSec security policy to secure the session with MACsec if the peer is available. If not set, the default is <i>should secure</i> .
Step 10	authentication port-control auto Example: Device(config-if) # authentication port-control auto	Enables 802.1x authentication on the port. The port changes to the authorized or unauthorized state based on the authentication exchange between the switch and the client.
Step 11	authentication periodic Example: Device(config-if) # authentication periodic	(Optional) Enables or disables re-authentication for this port .
Step 12	authentication timer reauthenticate Example: Device(config-if) # authentication timer reauthenticate	(Optional) Enters a value between 1 and 65535 (in seconds). Obtains re-authentication timeout value from the server. Default re-authentication time is 3600 seconds.
Step 13	authentication violation protect Example: Device(config-if) # authentication violation protect	Configures the port to drop unexpected incoming MAC addresses when a new device connects to a port or when a device connects to a port after the maximum number of devices are connected to that port. If not configured, the default is to shut down the port.
Step 14	mka policy policy-name Example: Device(config-if) # mka policy mka_policy	Applies an existing MKA protocol policy to the interface, and enable MKA on the interface. If no MKA policy was configured (by entering themka policy global configuration command).
Step 15	dot1x pae authenticator Example: Device(config-if) # dot1x pae authenticator	Configures the port as an 802.1x port access entity (PAE) authenticator.
Step 16	spanning-tree portfast Example: Device(config-if) # spanning-tree portfast	Enables spanning tree Port Fast on the interface in all its associated VLANs. When the Port Fast feature is enabled, the interface changes directly from a blocking state to a forwarding state without making the intermediate spanning-tree state changes

	Command or Action	Purpose
Step 17	end Example: Device (config) # end	Exits interface configuration mode and returns to privileged EXEC mode.
Step 18	show authentication session interface interface-id details Example: Device# show authentication session interface GigabitEthernet 1/0/1	Verifies the details of the security status of the authorized session.
Step 19	show macsec interface interface-id Example: Device# show macsec interface GigabitEthernet 1/0/1	Verifies the MACsec status on the interface.
Step 20	show mka sessions Example: Device# show mka sessions	Verifies the established MKA sessions.

Configuring MKA MACsec using PSK

Configuring MACsec MKA using PSK

Procedure

	Command or Action	Purpose
Step 1	enable Example: Device> enable	Enables privileged EXEC mode. <ul style="list-style-type: none"> • Enter your password if prompted.
Step 2	configure terminal Example: Device# configure terminal	Enters global configuration mode.
Step 3	key chain key-chain-name macsec Example: Device (config) # key chain keychain1 macsec	Configures a key chain and enters the key chain configuration mode.
Step 4	key hex-string Example: Device (config-key-chain) # key 1000	Configures a unique identifier for each key in the keychain and enters the keychain's key configuration mode.

	Command or Action	Purpose
		Note For 128-bit encryption, use any value between 1 and 32 hex digit key-string. For 256-bit encryption, use 64 hex digit key-string.
Step 5	cryptographic-algorithm { <i>aes-128-cmac</i> / <i>aes-256-cmac</i> } Example: Device(config-key-chain)# cryptographic-algorithm aes-128-cmac	Set cryptographic authentication algorithm with 128-bit or 256-bit encryption.
Step 6	key-string { [0/6/7] <i>pwd-string</i> / <i>pwd-string</i> } Example: Device(config-key-chain)# key-string 12345678901234567890123456789012	Sets the password for a key string. Only hex characters must be entered.
Step 7	lifetime local [<i>start timestamp {hh::mm::ss / day / month / year}</i>] [duration seconds <i>end timestamp {hh::mm::ss / day / month / year}</i>] Example: Device(config-key-chain)# lifetime local 12:12:00 July 28 2016 12:19:00 July 28 2016	Sets the lifetime of the pre shared key.
Step 8	end Example: Device(config-key-chain)# end	Exits key chain configuration mode and returns to privileged EXEC mode.

Configuring MACsec MKA on an Interface using PSK

Procedure

	Command or Action	Purpose
Step 1	enable Example: Device> enable	Enables privileged EXEC mode. • Enter your password if prompted.
Step 2	configure terminal Example: Device# configure terminal	Enters global configuration mode.
Step 3	interface <i>type number</i> Example: Device(config-if)# interface GigabitEthernet 0/0/0	Enters interface configuration mode.

	Command or Action	Purpose
Step 4	macsec network-link Example: Device(config-if) # macsec network-link	Enables MACsec on the interface.
Step 5	mka policy <i>policy-name</i> Example: Device(config-if) # mka policy mka_policy	Configures an MKA policy.
Step 6	mka pre-shared-key key-chain <i>key-chain name</i> Example: Device(config-if) # mka pre-shared-key key-chain key-chain-name	Configures an MKA pre-shared-key key-chain name.
Step 7	macsec replay-protection window-size <i>frame number</i> Example: Device(config-if) # macsec replay-protection window-size 10	Sets the MACsec window size for replay protection.
Step 8	end Example: Device(config-if) # end	Exits interface configuration mode and returns to privileged EXEC mode.

What to do next

It is not recommended to change the MKA policy on an interface with MKA PSK configured when the session is running. However, if a change is required, you must reconfigure the policy as follows:

1. Disable the existing session by removing **macsec network-link** configuration on each of the participating node using the **no macsec network-link** command
2. Configure the MKA policy on the interface on each of the participating node using the **mka policy policy-name** command.
3. Enable the new session on each of the participating node by using the **macsec network-link** command.

Configuring Certificate-Based MACsec Encryption

To configure MACsec with MKA on point-to-point links, perform these tasks:

- Configure Certificate Enrollment
 - Generate Key Pairs
 - Configure SCEP Enrollment
 - Configure Certificates Manually

- Configure an Authentication Policy
- Configure certificate-based MACsec encryption Profiles and IEEE 802.1x Credentials
- Configure MKA MACsec using certificate-based MACsec encryption on Interfaces

Generating Key Pairs

Procedure

	Command or Action	Purpose
Step 1	enable Example: Device> enable	Enables privileged EXEC mode. <ul style="list-style-type: none"> • Enter your password if prompted.
Step 2	configure terminal Example: Device# configure terminal	Enters global configuration mode.
Step 3	crypto key generate rsa label <i>label-name</i> general-keys modulus <i>size</i> Example: Device(config)# crypto key generate rsa label general-keys modulus 2048	Generates a RSA key pair for signing and encryption. You can also assign a label to each key pair using the label keyword. The label is referenced by the trustpoint that uses the key pair. If you do not assign a label, the key pair is automatically labeled <Default-RSA-Key>. If you do not use additional keywords this command generates one general purpose RSA key pair. If the modulus is not specified, the default key modulus of 1024 is used. You can specify other modulus sizes with the modulus keyword.
Step 4	end Example: Device(config)# end	Exits global configuration mode and returns to privileged EXEC mode.
Step 5	show authentication session interface interface-id Example: Device# show authentication session interface gigabitethernet 0/1/1	Verifies the authorized session security status.

Configuring Enrollment using SCEP

Simple Certificate Enrollment Protocol (SCEP) is a Cisco-developed enrollment protocol that uses HTTP to communicate with the certificate authority (CA) or registration authority (RA). SCEP is the most commonly used method for sending and receiving requests and certificates.

Procedure

	Command or Action	Purpose
Step 1	enable Example: Device> enable	Enables privileged EXEC mode. <ul style="list-style-type: none">• Enter your password if prompted.
Step 2	configure terminal Example: Device# configure terminal	Enters global configuration mode.
Step 3	crypto pki trustpoint <i>server name</i> Example: Device (config)# crypto pki trustpoint ka	Declares the trustpoint and a given name and enters ca-trustpoint configuration mode.
Step 4	enrollment url <i>url name pem</i> Example: Device (ca-trustpoint)# enrollment url http://url:80	Specifies the URL of the CA on which your device should send certificate requests. An IPv6 address can be added in the URL enclosed in brackets. For example: http://[2001:DB8:1:1::1]:80. The pem keyword adds privacy-enhanced mail (PEM) boundaries to the certificate request.
Step 5	rsa-keypair <i>label</i> Example: Device (ca-trustpoint)# rsa-keypair exampleCAkeys	Specifies which key pair to associate with the certificate. Note The rsa-keypair name must match the trust-point name.
Step 6	serial-number none Example: Device (ca-trustpoint)# serial-number none	The none keyword specifies that a serial number will not be included in the certificate request.
Step 7	ip-address none Example: Device (ca-trustpoint)# ip-address none	The none keyword specifies that no IP address should be included in the certificate request.
Step 8	revocation-check crl Example: Device (ca-trustpoint)# revocation-check crl	Specifies CRL as the method to ensure that the certificate of a peer has not been revoked.
Step 9	auto-enroll <i>percent regenerate</i> Example: Device (ca-trustpoint)# auto-enroll 90 regenerate	Enables auto-enrollment, allowing the client to automatically request a rollover certificate from the CA.

	Command or Action	Purpose
		<p>If auto-enrollment is not enabled, the client must be manually re-enrolled in your PKI upon certificate expiration.</p> <p>By default, only the Domain Name System (DNS) name of the device is included in the certificate.</p> <p>Use the percent argument to specify that a new certificate will be requested after the percentage of the lifetime of the current certificate is reached.</p> <p>Use the regenerate keyword to generate a new key for the certificate even if a named key already exists.</p> <p>If the key pair being rolled over is exportable, the new key pair will also be exportable. The following comment will appear in the trustpoint configuration to indicate whether the key pair is exportable: “! RSA key pair associated with trustpoint is exportable.”</p> <p>It is recommended that a new key pair be generated for security reasons.</p>
Step 10	exit Example: Device (ca-trustpoint) # exit	Exits ca-trustpoint configuration mode and returns to global configuration mode.
Step 11	crypto pki authenticate <i>name</i> Example: Device (config) # crypto pki authenticate myca	Retrieves the CA certificate and authenticates it.
Step 12	end Example: Device (config) # end	Exits global configuration mode and returns to privileged EXEC mode.
Step 13	show crypto pki certificate <i>trustpoint name</i> Example: Device# show crypto pki certificate ka	Displays information about the certificate for the trust point.

Configuring Enrollment Manually

If your CA does not support SCEP or if a network connection between the router and CA is not possible. Perform the following task to set up manual certificate enrollment:

Procedure

	Command or Action	Purpose
Step 1	enable Example: Device> enable	Enables privileged EXEC mode. <ul style="list-style-type: none">• Enter your password if prompted.
Step 2	configure terminal Example: Device# configure terminal	Enters global configuration mode.
Step 3	crypto pki trustpoint <i>server name</i> Example: Device# crypto pki trustpoint ka	Declares the trustpoint and a given name and enters ca-trustpoint configuration mode.
Step 4	enrollment url <i>url-name</i> Example: Device (ca-trustpoint)# enrollment url http://url:80	Specifies the URL of the CA on which your device should send certificate requests. An IPv6 address can be added in the URL enclosed in brackets. For example: http://[2001:DB8:1:1::1]:80. The pem keyword adds privacy-enhanced mail (PEM) boundaries to the certificate request.
Step 5	rsakeypair <i>label</i> Example: Device (ca-trustpoint)# rsakeypair exampleCAkeys	Specifies which key pair to associate with the certificate.
Step 6	serial-number none Example: Device (ca-trustpoint)# serial-number none	Specifies that serial numbers will not be included in the certificate request.
Step 7	ip-address none Example: Device (ca-trustpoint)# ip-address none	The none keyword specifies that no IP address should be included in the certificate request.
Step 8	revocation-check <i>crl</i> Example: Device (ca-trustpoint)# revocation-check crl	Specifies CRL as the method to ensure that the certificate of a peer has not been revoked.
Step 9	exit Example: Device (ca-trustpoint)# exit	Exits ca-trustpoint configuration mode and returns to global configuration mode.

	Command or Action	Purpose
Step 10	crypto pki authenticate <i>name</i> Example: Device (config) # crypto pki authenticate myca	Retrieves the CA certificate and authenticates it.
Step 11	crypto pki enroll <i>name</i> Example: Device (config) # crypto pki enroll myca	<p>Generates certificate request and displays the request for copying and pasting into the certificate server.</p> <p>Enter enrollment information when you are prompted. For example, specify whether to include the device FQDN and IP address in the certificate request.</p> <p>You are also given the choice about displaying the certificate request to the console terminal.</p> <p>The base-64 encoded certificate with or without PEM headers as requested is displayed.</p>
Step 12	crypto pki import <i>name certificate</i> Example: Device (config) # crypto pki import myca certificate	<p>Imports a certificate via TFTP at the console terminal, which retrieves the granted certificate.</p> <p>The device attempts to retrieve the granted certificate via TFTP using the same filename used to send the request, except the extension is changed from “.req” to “.crt”. For usage key certificates, the extensions “-sign.crt” and “-encr.crt” are used.</p> <p>The device parses the received files, verifies the certificates, and inserts the certificates into the internal certificate database on the switch.</p> <p>Note Some CAs ignore the usage key information in the certificate request and issue general purpose usage certificates. If your CA ignores the usage key information in the certificate request, only import the general purpose certificate. The router will not use one of the two key pairs generated.</p>
Step 13	end Example: Device (config) # end	Exits global configuration mode and returns to privileged EXEC mode.

	Command or Action	Purpose
Step 14	show crypto pki certificate <i>trustpoint name</i> Example: Device# show crypto pki certificate ka	Displays information about the certificate for the trust point.

Configuring Switch-to-switch MACsec Encryption

To apply MACsec MKA using certificate-based MACsec encryption to interfaces, perform the following task:

Procedure

	Command or Action	Purpose
Step 1	enable Example: Device> enable	Enables privileged EXEC mode. <ul style="list-style-type: none"> • Enter your password if prompted.
Step 2	configure terminal Example: Device# configure terminal	Enters global configuration mode.
Step 3	interface <i>type number</i> Example: Device (config)# interface gigabitethernet 0/2/1	Identifies the MACsec interface, and enters interface configuration mode. The interface must be a physical interface.
Step 4	macsec network-link Example: Device (config-if)# macsec network-link	Enables MACsec on the interface.
Step 5	authentication periodic Example: Device (config-if)# authentication periodic	Enables reauthentication for this port.
Step 6	authentication timer reauthenticate interval Example: Device (config-if)# authentication timer reauthenticate interval	Sets the reauthentication interval.
Step 7	access-session host-mode multi-host Example: Device (config-if)# access-session host-mode multi-host	Allows hosts to gain access to the interface.

	Command or Action	Purpose
Step 8	access-session closed Example: Device(config-if)# <code>access-session closed</code>	Prevents preauthentication access on the interface.
Step 9	access-session port-control auto Example: Device(config-if)# <code>access-session port-control auto</code>	Sets the authorization state of a port.
Step 10	dot1x pae both Example: Device(config-if)# <code>dot1x pae both</code>	Configures the port as an 802.1X port access entity (PAE) supplicant and authenticator.
Step 11	dot1x credentials profile Example: Device(config-if)# <code>dot1x credentials profile</code>	Assigns a 802.1x credentials profile to the interface.
Step 12	end Example: Device(config-if)# <code>end</code>	Exits interface configuration mode and returns to privileged EXEC mode.
Step 13	show macsec interface <i>interface-id</i> Example: Device# <code>show macsec interface GigabitEthernet 1/0/1</code>	Displays MACsec details for the interface.

Configuring MACsec XPN

Configuring an MKA Policy for XPN

Follow these steps to configure XPN in an MKA policy:

Procedure

	Command or Action	Purpose
Step 1	enable Example: Device> <code>enable</code>	Enables privileged EXEC mode. Enter your password, if prompted.
Step 2	configure terminal Example: Device# <code>configure terminal</code>	Enters global configuration mode.

	Command or Action	Purpose
Step 3	mka policy <i>policy-name</i> Example: Device(config)# mka policy <i>mka_policy</i>	Identifies an MKA policy, and enters MKA policy configuration mode. The maximum policy name length is 16 characters. Note The default MACsec cipher suite in the MKA policy will always be "GCM-AES-128". If the device supports both "GCM-AES-128" and "GCM-AES-256" ciphers, it is highly recommended to define and use a user defined MKA policy to include both 128 and 256 bits ciphers or only 256 bits cipher, as may be required.
Step 4	macsec-cipher-suite { <i>gcm-aes-128</i> <i>gcm-aes-256</i> <i>gcm-aes-xpn-128</i> <i>gcm-aes-xpn-256</i> } Example: Device(config-mka-policy)# macsec-cipher-suite <i>gcm-aes-xpn-256</i>	Configures cipher suite for deriving SAK with 128-bit and 256-bit encryption for XPN.
Step 5	sak-rekey interval <i>time-interval</i> Example: Device(config-mka-policy)# sak-rekey interval 50	(Optional) Configures the SAK rekey interval (in seconds). The range is from 30 to 65535. By default, the SAK rekey interval occurs automatically depending on the interface speed. Use the no form of this command to stop the SAK rekey timer.
Step 6	end Example: Device(config-mka-policy)# end	Exits MKA policy configuration mode and returns to privileged EXEC mode.

Applying the XPN MKA Policy to an Interface

To apply the XPN MKA policy to an interface, perform the following task:

Procedure

	Command or Action	Purpose
Step 1	enable Example: Device> enable	Enables privileged EXEC mode. <ul style="list-style-type: none"> • Enter your password if prompted.
Step 2	configure terminal Example:	Enters global configuration mode.

	Command or Action	Purpose
	Device# <code>configure terminal</code>	
Step 3	interface <i>interface-name</i> Example: Device(config)# <code>interface gigabitethernet 1/0/1</code>	Identifies the MACsec interface, and enters interface configuration mode. The interface must be a physical interface.
Step 4	mka policy <i>policy-name</i> Example: Device(config-if)# <code>mka policy mka-xpn-policy</code>	Applies the XPN MKA protocol policy to the interface.
Step 5	end Example: Device(config-if)# <code>end</code>	Exits interface configuration mode and returns to privileged EXEC mode.

Configuring MKA/MACsec for Port Channel

Configuring MKA/MACsec for Port Channel using PSK

Beginning in privileged EXEC mode, follow these steps to configure MKA policies on an interface using a Pre-Shared Key (PSK).

Procedure

	Command or Action	Purpose
Step 1	enable Example: Device> <code>enable</code>	Enables privileged EXEC mode. <ul style="list-style-type: none"> • Enter your password if prompted.
Step 2	configure terminal Example: Device# <code>configure terminal</code>	Enters global configuration mode.
Step 3	interface <i>interface-id</i> Example: Device(config-if)# <code>interface gigabitethernet 1/0/3</code>	Enters interface configuration mode.
Step 4	macsec network-link Example: Device(config-if)# <code>macsec network-link</code>	Enables MACsec on the interface. Supports layer 2 and layer 3 port channels.
Step 5	mka policy <i>policy-name</i> Example:	Configures an MKA policy.

	Command or Action	Purpose
	Device(config-if)# mka policy mka_policy	
Step 6	mka pre-shared-key key-chain <i>key-chain-name</i> Example: Device(config-if)# mka pre-shared-key key-chain key-chain-name	Configures an MKA pre-shared key key-chain name. Note The MKA pre-shared key can be configured either on the physical interface or the subinterface but not on both.
Step 7	macsec replay-protection window-size <i>frame number</i> Example: Device(config-if)# macsec replay-protection window-size 0	Sets the MACsec window size for replay protection.
Step 8	channel-group <i>channel-group-number</i> mode { auto desirable } { active passive } { on } Example: Device(config-if)# channel-group 3 mode auto active on	Configures the port in a channel group and sets the mode. Note You cannot configure ports in a channel group without configuring MACsec on the interface. You must configure the commands in Step 3, 4, 5 and 6 before this step. The channel-number range is from 1 to 4096. The port channel associated with this channel group is automatically created if the port channel does not already exist. For mode, select one of the following keywords: <ul style="list-style-type: none"> • auto— Enables PAgP only if a PAgP device is detected. This places the port into a passive negotiating state, in which the port responds to PAgP packets it receives but does not start PAgP packet negotiation. Note The auto keyword is not supported when EtherChannel members are from different switches in the switch stack. <ul style="list-style-type: none"> • desirable — Unconditionally enables PAgP. This places the port into an active negotiating state, in which the port starts negotiations with other ports by sending PAgP packets.

	Command or Action	Purpose
		<p>Note The desirable keyword is not supported when EtherChannel members are from different switches in the switch stack.</p> <ul style="list-style-type: none"> • on— Forces the port to channel without PAgP or LACP. In the on mode, an EtherChannel exists only when a port group in the on mode is connected to another port group in the on mode. • active— Enables LACP only if an LACP device is detected. It places the port into an active negotiating state, in which the port starts negotiations with other ports by sending LACP packets. • passive— Enables LACP on the port and places it into a passive negotiating state in which the port responds to LACP packets that it receives, but does not start LACP packet negotiation.
Step 9	end Example: Device(config-if)# end	Exits interface configuration mode and returns to privileged EXEC mode.

Configuring Port Channel Logical Interfaces for Layer 2 EtherChannels

To create a port channel interface for a Layer 2 EtherChannel, perform this task:

Procedure

	Command or Action	Purpose
Step 1	enable Example: Device> enable	Enables privileged EXEC mode. <ul style="list-style-type: none"> • Enter your password if prompted.
Step 2	configure terminal Example: Device# configure terminal	Enters global configuration mode.
Step 3	interface port-channel <i>channel-group-number</i> Example:	Creates the port channel interface, and enters interface configuration mode.

	Command or Action	Purpose
	Device (config) # <code>interface port-channel 1</code>	Note Use the no form of this command to delete the port channel interface.
Step 4	switchport Example: Device (config-if) # <code>switchport</code>	Switches an interface that is in Layer 3 mode into Layer 2 mode for Layer 2 configuration.
Step 5	switchport mode {access trunk} Example: Device (config-if) # <code>switchport mode access</code>	Assigns all ports as static-access ports in the same VLAN, or configure them as trunks.
Step 6	end Example: Device (config-if) # <code>end</code>	Exits interface configuration mode and returns to privileged EXEC mode.

Configuring Port Channel Logical Interfaces for Layer 3 EtherChannels

To create a port channel interface for a Layer 3 EtherChannel, perform this task:

Procedure

	Command or Action	Purpose
Step 1	enable Example: Device> <code>enable</code>	Enables privileged EXEC mode. <ul style="list-style-type: none"> • Enter your password if prompted.
Step 2	configure terminal Example: Device# <code>configure terminal</code>	Enters global configuration mode.
Step 3	interface <i>interface-id</i> Example: Device (config) # <code>interface gigabitethernet 1/0/2</code>	Enters interface configuration mode.
Step 4	no switchport Example: Device (config-if) # <code>no switchport</code>	Switches an interface that is in Layer 2 mode into Layer 3 mode for Layer 3 configuration.
Step 5	ip address <i>ip-address subnet-mask</i> Example: Device (config-if) # <code>ip address 10.2.2.3 255.255.255.254</code>	Assigns an IP address and subnet mask to the EtherChannel.

	Command or Action	Purpose
Step 6	end Example: Device(config-if) # end	Exits interface configuration mode and returns to privileged EXEC mode.

Configuring MACsec Cipher Announcement

The following sections provide information about the various tasks to configure MACsec cipher announcement.

Configuring an MKA Policy for Secure Announcement

Beginning in privileged EXEC mode, follow these steps to create an MKA Protocol policy to enable secure announcement in MKPDUs. By default, secure announcements are disabled.

Procedure

	Command or Action	Purpose
Step 1	enable Example: Device> enable	Enables privileged EXEC mode. Enter your password, if prompted.
Step 2	configure terminal Example: Device# configure terminal	Enters global configuration mode.
Step 3	mka policy <i>policy-name</i> Example: Device(config) # mka policy mka_policy	Identifies an MKA policy and enters MKA policy configuration mode. The maximum policy name length is 16 characters. Note The default MACsec cipher suite in the MKA policy is GCM-AES-128. If the device supports both GCM-AES-128 and GCM-AES-256 ciphers, we recommend that you define and use a user-defined MKA policy to include both 128 and 256 bits ciphers or only 256 bits cipher, as may be required.
Step 4	key-server <i>priority</i> Example:	Configures MKA key server options and sets priority between 0-255.

	Command or Action	Purpose
	Device (config-mka-policy) # key-server priority 200	Note When value of key server priority is set to 255, the peer cannot become the key server. The key server priority value is valid only for MKA PSK. This does not apply to MKA EAP-TLS.
Step 5	send-secure-announcements Example: Device (config-mka-policy) # send-secure-announcements	Enables sending of secure announcements. Use the no form of the command to disable sending of secure announcements. By default, secure announcements are disabled.
Step 6	macsec-cipher-suite {gcm-aes-128 gcm-aes-256} Example: Device (config-mka-policy) # macsec-cipher-suite gcm-aes-128	Configures cipher suite for deriving SAK with 128-bit or 256-bit encryption.
Step 7	end Example: Device (config-mka-policy) # end	Exits MKA policy configuration mode and returns to privileged EXEC mode.
Step 8	show mka policy Example: Device# show mka policy	Displays MKA policies.

Configuring Secure Announcement Globally

Beginning in privileged EXEC mode, follow these steps to enable secure announcement globally across all the MKA policies.

Procedure

	Command or Action	Purpose
Step 1	enable Example: Device> enable	Enables privileged EXEC mode. Enter your password, if prompted.
Step 2	configure terminal Example: Device# configure terminal	Enters global configuration mode.
Step 3	mka defaults policy send-secure-announcements Example:	Enables sending of secure announcements in MKPDUs across MKA policies. By default, secure announcements are disabled.

	Command or Action	Purpose
	Device(config)# mka defaults policy send-secure-announcements	
Step 4	end Example: Device(config)# end	Exits global configuration mode and returns to privileged EXEC mode.

Configuring EAPOL Announcements on an Interface

Beginning in privileged EXEC mode, follow these steps to configure EAPOL Announcement on an interface.

Procedure

	Command or Action	Purpose
Step 1	enable Example: Device> enable	Enables privileged EXEC mode. Enter your password, if prompted.
Step 2	configure terminal Example: Device# configure terminal	Enters global configuration mode.
Step 3	interface interface-id Example: Device(config)# interface gigabitethernet 1/0/1	Identifies the MACsec interface, and enters interface configuration mode. The interface must be a physical interface.
Step 4	eapol announcement Example: Device(config-if)# eapol announcement	Enables EAPOL announcements. Use the no form of the command to disable EAPOL announcements. By default, EAPOL announcements are disabled.
Step 5	end Example: Device(config-if)# configure terminal	Exits interface configuration mode and returns to privileged EXEC mode.

Configuring Cisco TrustSec MACsec

Configuring Cisco TrustSec Switch-to-Switch Link Security in Manual Mode

Before you begin

When manually configuring Cisco TrustSec on an interface, consider these usage guidelines and restrictions:

- If no SAP parameters are defined, Cisco TrustSec encapsulation or encryption is not performed.

- If you select GCM as the SAP operating mode, you must have a MACsec Encryption software license from Cisco. If you select GCM without the required license, the interface is forced to a link-down state.
- These protection levels are supported when you configure SAP pairwise master key (sap pmk):
 - SAP is not configured: no protection.
 - **sap mode-list gcm-encrypt gmac no-encap**: protection desirable but not mandatory.
 - **sap mode-list gcm-encrypt gmac**: confidentiality preferred and integrity required. The protection is selected by the supplicant according to supplicant preference.
 - **sap mode-list gmac**: integrity only.
 - **sap mode-list gcm-encrypt**: confidentiality required.
 - **sap mode-list gmac gcm-encrypt**: integrity required and preferred, confidentiality optional.
- Before changing the configuration from MKA to Cisco TrustSec SAP and vice versa, we recommend that you remove the interface configuration.

Beginning in privileged EXEC mode, follow these steps to manually configure Cisco TrustSec on an interface to another Cisco TrustSec device:

Procedure

	Command or Action	Purpose
Step 1	configure terminal Example: Device# configure terminal	Enters global configuration mode.
Step 2	interface interface-id Example: Device(config)# interface tengigabitethernet 1/1/2	Configures an interface, and enters interface configuration mode.
Step 3	cts manual Example: Device(config-if)# cts manual	Enters Cisco TrustSec manual configuration mode.
Step 4	sap pmk key [mode-list mode1 [mode2 [mode3 [mode4]]]] Example: Device(config-if-cts-manual)# sap pmk 1234abcdef mode-list gcm-encrypt no-encap	(Optional) Configures the SAP pairwise master key (PMK) and operation mode. SAP is disabled by default in Cisco TrustSec manual mode. <ul style="list-style-type: none"> • key: A hexadecimal value with an even number of characters and a maximum length of 32 characters. <p>The SAP operation mode options:</p> <ul style="list-style-type: none"> • gcm-encrypt: Authentication and encryption

	Command or Action	Purpose
		<p>Note Select this mode for MACsec authentication and encryption if your software license supports MACsec encryption.</p> <ul style="list-style-type: none"> • gmac: Authentication, no encryption • no-encap: No encapsulation
Step 5	<p>no propagate sgt</p> <p>Example:</p> <pre>Device(config-if-cts-manual)# no propagate sgt</pre>	Use the no form of this command when the peer is incapable of processing a SGT. The no propagate sgt command prevents the interface from transmitting the SGT to the peer.
Step 6	<p>exit</p> <p>Example:</p> <pre>Device(config-if-cts-manual)# exit</pre>	Exits Cisco TrustSec 802.1x interface configuration mode.
Step 7	<p>end</p> <p>Example:</p> <pre>Device(config-if)# end</pre>	Returns to privileged EXEC mode.
Step 8	<p>show cts interface [<i>interface-id</i> brief summary]</p>	(Optional) Verify the configuration by displaying TrustSec-related interface characteristics.
Step 9	<p>copy running-config startup-config</p> <p>Example:</p> <pre>Device# copy running-config startup-config</pre>	(Optional) Saves your entries in the configuration file.

Configuration Examples for MACsec Encryption

The following sections provide configuration examples for MACsec encryption.

Example: Configuring MKA and MACsec

This example shows how to create an MKA policy:

```
Device> enable
Device# configure terminal
Device(config)# mka policy mka_policy
Device(config-mka-policy)# key-server priority 200
Device(config-mka-policy)# macsec-cipher-suite gcm-aes-128
Device(config-mka-policy)# confidentiality-offset 30
```

```
Device(config-mka-policy) # ssci-based-on-sci
Device(config-mka-policy) #end
```

This example shows how to configure MACsec on an interface:

```
Device> enable
Device# configure terminal
Device(config) # interface GigabitEthernet 1/0/1
Device(config-if) # switchport access vlan 1
Device(config-if) # switchport mode access
Device(config-if) # macsec
Device(config-if) # authentication event linksec fail action authorize vlan 1
Device(config-if) # authentication host-mode multi-domain
Device(config-if) # authentication linksec policy must-secure
Device(config-if) # authentication port-control auto
Device(config-if) # authentication periodic
Device(config-if) # authentication timer reauthenticate
Device(config-if) # authentication violation protect
Device(config-if) # mka policy mka_policy
Device(config-if) # dot1x pae authenticator
Device(config-if) # spanning-tree portfast
Device(config-if) # end
```

Example: Configuring MACsec MKA using PSK

This example shows how to configure MACsec MKA using PSK.

```
Device> enable
Device# configure terminal
Device(config) # key chain keychain1 macsec
Device(config-keychain) # key 1000
Device(config-keychain-key) # cryptographic-algorithm aes-128-cmac
Device(config-keychain-key) # key-string 12345678901234567890123456789012
Device(config-keychain-key) # lifetime local 12:12:00 July 28 2016 12:19:00 July 28 2016
Device(config-keychain-key) # end
```

This example shows how to configure MACsec MKA on an interface using PSK.

```
Device> enable
Device# configure terminal
Device(config) # interface GigabitEthernet 0/0/0
Device(config-if) # mka policy mka_policy
Device(config-if) # mka pre-shared-key key-chain key-chain-name
Device(config-if) # macsec replay-protection window-size 10
Device(config-if) # end
```

MKA-PSK: CKN Behavior Change

Starting Cisco IOS XE Fuji 16.8.1 release, for MKA PSK sessions, the CKN uses exactly the same string as the CKN which is configured as the hex-string for the key, instead of the fixed 32 bytes.

```
Device> enable
Device# configure terminal
Device(config) # key chain abc macsec
Device(config-keychain) # key 11
Device(config-keychain-key) # cryptographic-algorithm aes-128-cmac
Device(config-keychain-key) # key-string 12345678901234567890123456789013
Device(config-keychain-key) # lifetime local 12:21:00 Sep 9 2015 infinite
Device(config-keychain-key) # end
```

The following is sample output of the **show mka session** command for the above configuration:

```

Device# show mka session

Total MKA Sessions..... 1
Secured Sessions... 1
Pending Sessions... 0
=====
Interface      Local-TxSCI      Policy-Name      Inherited      Key-Server
Port-ID        Peer-RxSCI       MACsec-Peers     Status         CKN
=====
Et0/0          aabb.cc00.6600/0002   icv              NO             NO
2              aabb.cc00.6500/0002   1                Secured        11 *Note that the
           CKN key-string is exactly the same that has been configured for the key as hex-string.*

```

In case of interoperability between two images, where one having the CKN behavior change, and one without the CKN behavior change, the hex-string for the key must be a 64-character hex-string with zero padded for it to work on a device that has an image with the CKN behavior change. See the examples below:

Configuration without CKN key-string behavior change:

```

Device# configure terminal
Device(config)# key chain abc macsec
Device(config-keychain)# key 11
Device(config-keychain-key)# cryptographic-algorithm aes-128-cmac
Device(config-keychain-key)# key-string 12345678901234567890123456789013
Device(config-keychain-key)# lifetime local 12:21:00 Sep 9 2015 infinite
Device(config-keychain-key)# end

```

Configuration with CKN key-string behavior change:

```

Device# configure terminal
Device(config)# key chain abc macsec
Device(config-keychain)# key 110000000000000000000000000000000000000000000000000000000000000000000000
Device(config-keychain-key)# cryptographic-algorithm aes-128-cmac
Device(config-keychain-key)# key-string 12345678901234567890123456789013
Device(config-keychain-key)# lifetime local 12:21:00 Sep 9 2015 infinite
Device(config-keychain-key)# end

```

Example: Configuring MACsec MKA Using Certificate-Based MACsec Encryption

This example shows how to configure MACsec MKA using certificate-based MACsec encryption:

```

Device> enable
Device# configure terminal
Device(config)# interface GigabitEthernet 1/0/1
Device(config-if)# macsec network-link
Device(config-if)# authentication periodic
Device(config-if)# authentication timer reauthenticate interval
Device(config-if)# access-session host-mode multi-domain
Device(config-if)# access-session closed
Device(config-if)# access-session port-control auto
Device(config-if)# dot1x pae both
Device(config-if)#dot1x credentials profile
Device(config-if)# dot1x supplicant eap profile profile_eap_tls
Device(config-if)# end

```

Example: Configuring MACsec XPN

This example shows how to configure MACsec MKA XPN policy:

```
Device> enable
Device# configure terminal
Device(config)# mka policy mka-xpn-policy
Device(config-mka-policy)# macsec-cipher-suite gcm-aes-xpn-256
Device(config-mka-policy)# end
```

This example shows how to apply MACsec MKA XPN policy to an interface:

```
Device> enable
Device# configure terminal
Device(config)# interface Fo 1/0/1
Device(config-if)# mka policy mka-xpn-policy
Device(config-if)# end
```

The following is a sample output of the **show mka sessions details** command with 128-bit XPN Cipher Suite configured:

```
Device# show mka sessions details

MKA Detailed Status for MKA Session
=====
Status: SECURED - Secured MKA Session with MACsec

Local Tx-SCI..... 204c.9e85.ede4/002b
Interface MAC Address.... 204c.9e85.ede4
MKA Port Identifier..... 43
Interface Name..... GigabitEthernet1/0/1
Audit Session ID.....
CAK Name (CKN)..... 01000000000000000000000000000000000000000000000000000000000000000000
Member Identifier (MI)... D46CBEC05D5D67594543CEAE
Message Number (MN)..... 89572
EAP Role..... NA
Key Server..... YES
MKA Cipher Suite..... AES-128-CMAC

Latest SAK Status..... Rx & Tx
Latest SAK AN..... 0
Latest SAK KI (KN)..... D46CBEC05D5D67594543CEAE0000001 (1)
Old SAK Status..... FIRST-SAK
Old SAK AN..... 0
Old SAK KI (KN)..... FIRST-SAK (0)

SAK Transmit Wait Time... 0s (Not waiting for any peers to respond)
SAK Retire Time..... 0s (No Old SAK to retire)

MKA Policy Name..... p2
Key Server Priority..... 2
Delay Protection..... NO
Replay Protection..... YES
Replay Window Size..... 0
Confidentiality Offset... 0
Algorithm Agility..... 80C201
Send Secure Announcement.. DISABLED
SAK Cipher Suite..... 0080C20001000003 (GCM-AES-XPN-128)
MACsec Capability..... 3 (MACsec Integrity, Confidentiality, & Offset)
MACsec Desired..... YES

# of MACsec Capable Live Peers..... 1
# of MACsec Capable Live Peers Responded.. 1
```



```
Potential Peers List:
  MI                MN                Rx-SCI (Peer)      KS Priority
  -----
Dormant Peers List:
  MI                MN                Rx-SCI (Peer)      KS Priority
  -----
```

Example: Configuring MACsec MKA for Port Channel using PSK

Etherchannel Mode — Static/On

The following is sample configuration on Device 1 and Device 2 with EtherChannel Mode on:

```
Device> enable
Device# configure terminal
Device(config)# key chain KC macsec
Device(config-key-chain)# key 1000
Device(config-key-chain)# cryptographic-algorithm aes-128-cmac
Device(config-key-chain)# key-string FC8F5B10557C192F03F60198413D7D45
Device(config-key-chain)# exit
Device(config)# mka policy POLICY
Device(config-mka-policy)# key-server priority 0
Device(config-mka-policy)# macsec-cipher-suite gcm-aes-128
Device(config-mka-policy)# confidentiality-offset 0
Device(config-mka-policy)# exit
Device(config)# interface gigabitethernet 1/0/1
Device(config-if)# channel-group 2 mode on
Device(config-if)# macsec network-link
Device(config-if)# mka policy POLICY
Device(config-if)# mka pre-shared-key key-chain KC
Device(config-if)# exit
Device(config)# interface gigabitethernet 1/0/2
Device(config-if)# channel-group 2 mode on
Device(config-if)# macsec network-link
Device(config-if)# mka policy POLICY
Device(config-if)# mka pre-shared-key key-chain KC
Device(config-if)# end
```

Layer 2 EtherChannel Configuration

Device 1

```
Device> enable
Device# configure terminal
Device(config)# interface port-channel 2
Device(config-if)# switchport
Device(config-if)# switchport mode trunk
Device(config-if)# no shutdown
Device(config-if)# end
```

Device 2

```
Device> enable
Device# configure terminal
Device(config)# interface port-channel 2
Device(config-if)# switchport
Device(config-if)# switchport mode trunk
```

```
Device(config-if)# no shutdown
Device(config-if)# end
```

The following is sample output from the `show etherchannel summary` command:

```
Flags: D - down           P - bundled in port-channel
       I - stand-alone    s - suspended
       H - Hot-standby (LACP only)
       R - Layer3         S - Layer2
       U - in use         f - failed to allocate aggregator

       M - not in use, minimum links not met
       u - unsuitable for bundling
       w - waiting to be aggregated
       d - default port

       A - formed by Auto LAG
```

```
Number of channel-groups in use: 1
Number of aggregators:           1
```

```
Group Port-channel Protocol Ports
```

```
-----+-----+-----+-----+-----+-----+-----+-----+-----+-----+
2       Po2(RU)           -           Te1/0/1(P) Te1/0/2(P)
```

Layer 3 EtherChannel Configuration

Device 1

```
Device> enable
Device# configure terminal
Device(config)# interface port-channel 2
Device(config-if)# no switchport
Device(config-if)# ip address 10.25.25.3 255.255.255.0
Device(config-if)# no shutdown
Device(config-if)# end
```

Device 2

```
Device> enable
Device# configure terminal
Device(config)# interface port-channel 2
Device(config-if)# no switchport
Device(config-if)# ip address 10.25.25.4 255.255.255.0
Device(config-if)# no shutdown
Device(config-if)# end
```

The following is sample output from the `show etherchannel summary` command:

```
Flags: D - down           P - bundled in port-channel
       I - stand-alone    s - suspended
       H - Hot-standby (LACP only)
       R - Layer3         S - Layer2
```

U - in use f - failed to allocate aggregator

M - not in use, minimum links not met
 u - unsuitable for bundling
 w - waiting to be aggregated
 d - default port

A - formed by Auto LAG

Number of channel-groups in use: 1
 Number of aggregators: 1

Group	Port-channel	Protocol	Ports
2	Po2 (RU)	-	Te1/0/1 (P) Te1/0/2 (P)

Etherchannel Mode — LACP

The following is sample configuration on Device 1 and Device 2 with EtherChannel Mode as LACP.

```
Device> enable
Device# configure terminal
Device(config)# key chain KC macsec
Device(config-key-chain)# key 1000
Device(config-key-chain)# cryptographic-algorithm aes-128-cmac
Device(config-key-chain)# key-string FC8F5B10557C192F03F60198413D7D45
Device(config-key-chain)# exit
Device(config)# mka policy POLICY
Device(config-mka-policy)# key-server priority 0
Device(config-mka-policy)# macsec-cipher-suite gcm-aes-128
Device(config-mka-policy)# confidentiality-offset 0
Device(config-mka-policy)# exit
Device(config)# interface gigabitethernet 1/0/1
Device(config-if)# channel-group 2 mode active
Device(config-if)# macsec network-link
Device(config-if)# mka policy POLICY
Device(config-if)# mka pre-shared-key key-chain KC
Device(config-if)# exit
Device(config)# interface gigabitethernet 1/0/2
Device(config-if)# channel-group 2 mode active
Device(config-if)# macsec network-link
Device(config-if)# mka policy POLICY
Device(config-if)# mka pre-shared-key key-chain KC
Device(config-if)# end
```

Layer 2 EtherChannel Configuration

Device 1

```
Device> enable
Device# configure terminal
Device(config)# interface port-channel 2
Device(config-if)# switchport
Device(config-if)# switchport mode trunk
```



```

Flags:  D - down           P - bundled in port-channel
        I - stand-alone   s - suspended
        H - Hot-standby (LACP only)
        R - Layer3       S - Layer2
        U - in use       f - failed to allocate aggregator

        M - not in use, minimum links not met
        u - unsuitable for bundling
        w - waiting to be aggregated
        d - default port

        A - formed by Auto LAG

```

```

Number of channel-groups in use: 1
Number of aggregators:          1

```

```

Group  Port-channel  Protocol  Ports
-----+-----+-----+-----

```

```

2      Po2 (RU)          LACP      Te1/1/1 (P)  Te1/1/2 (P)

```

Etherchannel Mode — PAgP

The following is sample configuration on Device 1 and Device 2 with EtherChannel Mode as PAgP:

```

Device> enable
Device# configure terminal
Device(config)# key chain KC macsec
Device(config-key-chain)# key 1000
Device(config-key-chain)# cryptographic-algorithm aes-128-cmac
Device(config-key-chain)# key-string FC8F5B10557C192F03F60198413D7D45
Device(config-key-chain)# exit
Device(config)# mka policy POLICY
Device(config-mka-policy)# key-server priority 0
Device(config-mka-policy)# macsec-cipher-suite gcm-aes-128
Device(config-mka-policy)# confidentiality-offset 0
Device(config-mka-policy)# exit
Device(config)# interface gigabitethernet 1/0/1
Device(config-if)# channel-group 2 mode desirable
Device(config-if)# macsec network-link
Device(config-if)# mka policy POLICY
Device(config-if)# mka pre-shared-key key-chain KC
Device(config-if)# exit
Device(config)# interface gigabitethernet 1/0/2
Device(config-if)# channel-group 2 mode desirable
Device(config-if)# macsec network-link
Device(config-if)# mka policy POLICY
Device(config-if)# mka pre-shared-key key-chain KC
Device(config-if)# end

```

Layer 2 EtherChannel Configuration

Device 1


```

MKA Cipher Suite..... AES-128-CMAC

Latest SAK Status..... Rx & Tx
Latest SAK AN..... 0
Latest SAK KI (KN)..... D46CBEC05D5D67594543CEAE00000001 (1)
Old SAK Status..... FIRST-SAK
Old SAK AN..... 0
Old SAK KI (KN)..... FIRST-SAK (0)

SAK Transmit Wait Time... 0s (Not waiting for any peers to respond)
SAK Retire Time..... 0s (No Old SAK to retire)

MKA Policy Name..... p2
Key Server Priority..... 2
Delay Protection..... NO
Replay Protection..... YES
Replay Window Size..... 0
Confidentiality Offset... 0
Algorithm Agility..... 80C201
Send Secure Announcement.. DISABLED
SAK Cipher Suite..... 0080C20001000001 (GCM-AES-128)
MACsec Capability..... 3 (MACsec Integrity, Confidentiality, & Offset)
MACsec Desired..... YES

# of MACsec Capable Live Peers..... 1
# of MACsec Capable Live Peers Responded.. 1

Live Peers List:
  MI                      MN                      Rx-SCI (Peer)          KS Priority
  -----
  38046BA37D7DA77E06D006A9  89555                c800.8459.e764/002a    10

Potential Peers List:
  MI                      MN                      Rx-SCI (Peer)          KS Priority
  -----

Dormant Peers List:
  MI                      MN                      Rx-SCI (Peer)          KS Priority
  -----

```

The following is sample output of the **show mka sessions details** command with secure announcement disabled.

```

Device# show mka sessions details

MKA Detailed Status for MKA Session
=====
Status: SECURED - Secured MKA Session with MACsec

Local Tx-SCI..... 204c.9e85.ede4/002b
Interface MAC Address.... 204c.9e85.ede4
MKA Port Identifier..... 43
Interface Name..... GigabitEthernet1/0/1

```


Example: Displaying MKA Information

```

SAK Transmit Wait Time... 0s (Not waiting for any peers to respond)
SAK Retire Time..... 0s (No Old SAK to retire)

MKA Policy Name..... p2
Key Server Priority..... 2
Delay Protection..... NO
Replay Protection..... YES
Replay Window Size..... 0
Confidentiality Offset... 0
Algorithm Agility..... 80C201
Send Secure Announcement.. DISABLED
SAK Cipher Suite..... 0080C20001000001 (GCM-AES-128)
MACsec Capability..... 3 (MACsec Integrity, Confidentiality, & Offset)
MACsec Desired..... YES

# of MACsec Capable Live Peers..... 1
# of MACsec Capable Live Peers Responded.. 1

```

```

Live Peers List:
  MI                MN                Rx-SCI (Peer)        KS Priority
  -----
  38046BA37D7DA77E06D006A9  89560          c800.8459.e764/002a  10

Potential Peers List:
  MI                MN                Rx-SCI (Peer)        KS Priority
  -----

Dormant Peers List:
  MI                MN                Rx-SCI (Peer)        KS Priority
  -----

```

The following is a sample output from the **show mka policy** command:

```
Device# show mka policy
```

```
MKA Policy Summary...
```

Policy Name	KS Priority	Delay Protect	Replay Protect	Window Size	Conf Offset	Cipher Suite(s)	Interfaces Applied
DEFAULT POLICY	0	FALSE	TRUE	0	0	GCM-AES-128	
p1	1	FALSE	TRUE	0	0	GCM-AES-128	
p2	2	FALSE	TRUE	0	0	GCM-AES-128	Gi1/0/1

The following is a sample output from the **show mka policy policy-name** command:

```
Device# show mka policy p2
```

```
MKA Policy Summary...
```

Policy Name	KS Priority	Delay Protect	Replay Protect	Window Size	Conf Offset	Cipher Suite(s)	Interfaces Applied
p2	2	FALSE	TRUE	0	0	GCM-AES-128	Gi1/0/1

The following is a sample output from the **show mka policy policy-name detail** command:

```
Device# show mka policy p2 detail
```

```
MKA Policy Configuration ("p2")
```

```

=====
MKA Policy Name..... p2
Key Server Priority... 2
Confidentiality Offset. 0

```

```
Send Secure Announcement..DISABLED
Cipher Suite(s)..... GCM-AES-128
```

```
Applied Interfaces...
GigabitEthernet1/0/1
```

The following is a sample output from the **show mka statistics interface interface-name** command:

```
Device# show mka statistics interface GigabitEthernet 1/0/1
```

```
MKA Statistics for Session
=====
Reauthentication Attempts.. 0

CA Statistics
Pairwise CAKs Derived... 0
Pairwise CAK Rekeys..... 0
Group CAKs Generated.... 0
Group CAKs Received..... 0

SA Statistics
SAKs Generated..... 1
SAKs Rekeyed..... 0
SAKs Received..... 0
SAK Responses Received.. 1

MKPDU Statistics
MKPDUs Validated & Rx... 89585
  "Distributed SAK".. 0
  "Distributed CAK".. 0
MKPDUs Transmitted..... 89596
  "Distributed SAK".. 1
  "Distributed CAK".. 0
```

The following is a sample output from the **show mka summary** command:

```
Device# show mka summary
```

```
Total MKA Sessions..... 1
  Secured Sessions... 1
  Pending Sessions... 0
```

Interface Port-ID	Local-TxSCI Peer-RxSCI	Policy-Name MACsec-Peers	Inherited Status	Key-Server CKN
Gi1/0/1 43	204c.9e85.ede4/002b c800.8459.e764/002a	p2 1	NO Secured	YES
0100				

```
MKA Global Statistics
=====
MKA Session Totals
  Secured..... 1
  Reauthentication Attempts.. 0

  Deleted (Secured)..... 0
  Keepalive Timeouts..... 0

CA Statistics
Pairwise CAKs Derived..... 0
Pairwise CAK Rekeys..... 0
```

Example: Displaying MKA Information

```

Group CAKs Generated..... 0
Group CAKs Received..... 0

SA Statistics
SAKs Generated..... 1
SAKs Rekeyed..... 0
SAKs Received..... 0
SAK Responses Received..... 1

MKPDU Statistics
MKPDUs Validated & Rx..... 89589
  "Distributed SAK"..... 0
  "Distributed CAK"..... 0
MKPDUs Transmitted..... 89600
  "Distributed SAK"..... 1
  "Distributed CAK"..... 0

MKA Error Counter Totals
=====
Session Failures
Bring-up Failures..... 0
Reauthentication Failures..... 0
Duplicate Auth-Mgr Handle..... 0

SAK Failures
SAK Generation..... 0
Hash Key Generation..... 0
SAK Encryption/Wrap..... 0
SAK Decryption/Unwrap..... 0
SAK Cipher Mismatch..... 0

CA Failures
Group CAK Generation..... 0
Group CAK Encryption/Wrap..... 0
Group CAK Decryption/Unwrap..... 0
Pairwise CAK Derivation..... 0
CKN Derivation..... 0
ICK Derivation..... 0
KEK Derivation..... 0
Invalid Peer MACsec Capability... 0

MACsec Failures
Rx SC Creation..... 0
Tx SC Creation..... 0
Rx SA Installation..... 0
Tx SA Installation..... 0

MKPDU Failures
MKPDU Tx..... 0
MKPDU Rx Validation..... 0
MKPDU Rx Bad Peer MN..... 0
MKPDU Rx Non-recent Peerlist MN.. 0

```

The following is a sample output from the **show macsec interface** command:

```
Device# show macsec interface HundredGigE 2/0/4
```

```

MACsec is enabled
Replay protect : enabled
Replay window : 0
Include SCI : yes
Use ES Enable : no
Use SCB Enable : no
Admin Pt2Pt MAC : forceTrue(1)
Pt2Pt MAC Operational : no
Cipher : GCM-AES-128

```

Confidentiality Offset : 0

Capabilities

ICV length : 16
Data length change supported: yes
Max. Rx SA : 16
Max. Tx SA : 16
Max. Rx SC : 8
Max. Tx SC : 8
Validate Frames : strict
PN threshold notification support : Yes
Ciphers supported : GCM-AES-128
 GCM-AES-256
 GCM-AES-XPB-128
 GCM-AES-XPB-256

Access control : must secure

Transmit Secure Channels

SCI : 3C5731BBB5850475
SC state : inUse(1)
 Elapsed time : 7w0d
 Start time : 7w0d
 Current AN: 0
 Previous AN: -
 Next PN: 149757
 SA State: inUse(1)
 Confidentiality : yes
 SAK Unchanged : yes
 SA Create time : 00:04:41
 SA Start time : 7w0d
 SC Statistics
 Auth-only Pkts : 0
 Auth-only Bytes : 0
 Encrypted Pkts : 0
 Encrypted Bytes : 0
 SA Statistics
 Auth-only Pkts : 0
 Auth-only Bytes : 0
 Encrypted Pkts : 149756
 Encrypted Bytes : 16595088

Port Statistics

Egress untag pkts 0
Egress long pkts 0

Receive Secure Channels

SCI : 3C5731BBB5C504DF
SC state : inUse(1)
 Elapsed time : 7w0d
 Start time : 7w0d
 Current AN: 0
 Previous AN: -
 Next PN: 149786
 RX SA Count: 0
 SA State: inUse(1)
 SAK Unchanged : yes
 SA Create time : 00:04:39
 SA Start time : 7w0d
 SC Statistics
 Notvalid pkts 0
 Invalid pkts 0
 Valid pkts 0
 Late pkts 0

```

Uncheck pkts 0
Delay pkts 0
UnusedSA pkts 0
NousingSA pkts 0
Validated Bytes 0
Decrypted Bytes 0
SA Statistics
Notvalid pkts 0
Invalid pkts 0
Valid pkts 149784
Late pkts 0
Uncheck pkts 0
Delay pkts 0
UnusedSA pkts 0
NousingSA pkts 0
Validated Bytes 0
Decrypted Bytes 16654544

```

```

Port Statistics
Ingress untag pkts 0
Ingress notag pkts 631726
Ingress badtag pkts 0
Ingress unknownSCI pkts 0
Ingress noSCI pkts 0
Ingress overrun pkts 0

```

Additional References for MACsec Encryption

Standards and RFCs

Standard/RFC	Title
IEEE 802.1AE-2006	<i>Media Access Control (MAC) Security</i>
IEEE 802.1X-2010	<i>Port-Based Network Access Control</i>
IEEE 802.1AEbw-2013	<i>Media Access Control (MAC) Security (Amendment to IEEE 802.1AE-2006)—Extended Packet Numbering (XPN)</i>
IEEE 802.1Xbx-2014	<i>Port-Based Network Access Control (Amendment to IEEE 802.1X-2010)</i>
RFC 4493	<i>The AES-CMAC Algorithm</i>

Technical Assistance

Description	Link
<p>The Cisco Support website provides extensive online resources, including documentation and tools for troubleshooting and resolving technical issues with Cisco products and technologies.</p> <p>To receive security and technical information about your products, you can subscribe to various services, such as the Product Alert Tool (accessed from Field Notices), the Cisco Technical Services Newsletter, and Really Simple Syndication (RSS) Feeds.</p> <p>Access to most tools on the Cisco Support website requires a Cisco.com user ID and password.</p>	<p>http://www.cisco.com/support</p>

Feature History for MACsec Encryption

This table provides release and related information for the features explained in this module.

These features are available in all the releases subsequent to the one they were introduced in, unless noted otherwise.

Release	Feature	Feature Information
Cisco IOS XE Everest 16.5.1a	MACsec Encryption	<p>MACsec is the IEEE 802.1AE standard for authenticating and encrypting packets between two MACsec-capable devices. Catalyst switches support 802.1AE encryption with MACsec Key Agreement (MKA) encryption between the switch and host device.</p> <p>Support for this feature was introduced on all the models of the Cisco Catalyst 9500 Series Switches.</p>
Cisco IOS XE Fuji 16.8.1a	MACsec Encryption	<p>Support for this feature was introduced on the C9500-32C, C9500-32QC, C9500-48Y4C, and C9500-24Y4C models of the Cisco Catalyst 9500 Series Switches.</p>
Cisco IOS XE Gibraltar 16.12.1	MKA with High Availability	<p>MKA with high availability is supported.</p> <p>Support for this feature was introduced on the C9500-32C, C9500-32QC, C9500-48Y4C, and C9500-24Y4C models of the Cisco Catalyst 9500 Series Switches.</p>

Use the Cisco Feature Navigator to find information about platform and software image support. To access Cisco Feature Navigator, go to <http://www.cisco.com/go/cfn>.

