



Interface and Hardware Components Configuration Guide, Cisco IOS XE Dublin 17.12.x (Catalyst 9500 Switches)

First Published: 2023-07-28

Americas Headquarters

Cisco Systems, Inc.
170 West Tasman Drive
San Jose, CA 95134-1706
USA
<http://www.cisco.com>
Tel: 408 526-4000
800 553-NETS (6387)
Fax: 408 527-0883

THE SPECIFICATIONS AND INFORMATION REGARDING THE PRODUCTS IN THIS MANUAL ARE SUBJECT TO CHANGE WITHOUT NOTICE. ALL STATEMENTS, INFORMATION, AND RECOMMENDATIONS IN THIS MANUAL ARE BELIEVED TO BE ACCURATE BUT ARE PRESENTED WITHOUT WARRANTY OF ANY KIND, EXPRESS OR IMPLIED. USERS MUST TAKE FULL RESPONSIBILITY FOR THEIR APPLICATION OF ANY PRODUCTS.

THE SOFTWARE LICENSE AND LIMITED WARRANTY FOR THE ACCOMPANYING PRODUCT ARE SET FORTH IN THE INFORMATION PACKET THAT SHIPPED WITH THE PRODUCT AND ARE INCORPORATED HEREIN BY THIS REFERENCE. IF YOU ARE UNABLE TO LOCATE THE SOFTWARE LICENSE OR LIMITED WARRANTY, CONTACT YOUR CISCO REPRESENTATIVE FOR A COPY.

The Cisco implementation of TCP header compression is an adaptation of a program developed by the University of California, Berkeley (UCB) as part of UCB's public domain version of the UNIX operating system. All rights reserved. Copyright © 1981, Regents of the University of California.

NOTWITHSTANDING ANY OTHER WARRANTY HEREIN, ALL DOCUMENT FILES AND SOFTWARE OF THESE SUPPLIERS ARE PROVIDED "AS IS" WITH ALL FAULTS. CISCO AND THE ABOVE-NAMED SUPPLIERS DISCLAIM ALL WARRANTIES, EXPRESSED OR IMPLIED, INCLUDING, WITHOUT LIMITATION, THOSE OF MERCHANTABILITY, FITNESS FOR A PARTICULAR PURPOSE AND NON-INFRINGEMENT OR ARISING FROM A COURSE OF DEALING, USAGE, OR TRADE PRACTICE.

IN NO EVENT SHALL CISCO OR ITS SUPPLIERS BE LIABLE FOR ANY INDIRECT, SPECIAL, CONSEQUENTIAL, OR INCIDENTAL DAMAGES, INCLUDING, WITHOUT LIMITATION, LOST PROFITS OR LOSS OR DAMAGE TO DATA ARISING OUT OF THE USE OR INABILITY TO USE THIS MANUAL, EVEN IF CISCO OR ITS SUPPLIERS HAVE BEEN ADVISED OF THE POSSIBILITY OF SUCH DAMAGES.

Any Internet Protocol (IP) addresses and phone numbers used in this document are not intended to be actual addresses and phone numbers. Any examples, command display output, network topology diagrams, and other figures included in the document are shown for illustrative purposes only. Any use of actual IP addresses or phone numbers in illustrative content is unintentional and coincidental.

All printed copies and duplicate soft copies of this document are considered uncontrolled. See the current online version for the latest version.

Cisco has more than 200 offices worldwide. Addresses and phone numbers are listed on the Cisco website at www.cisco.com/go/offices.

The documentation set for this product strives to use bias-free language. For purposes of this documentation set, bias-free is defined as language that does not imply discrimination based on age, disability, gender, racial identity, ethnic identity, sexual orientation, socioeconomic status, and intersectionality. Exceptions may be present in the documentation due to language that is hardcoded in the user interfaces of the product software, language used based on standards documentation, or language that is used by a referenced third-party product.

Cisco and the Cisco logo are trademarks or registered trademarks of Cisco and/or its affiliates in the U.S. and other countries. To view a list of Cisco trademarks, go to this URL: <https://www.cisco.com/c/en/us/about/legal/trademarks.html>. Third-party trademarks mentioned are the property of their respective owners. The use of the word partner does not imply a partnership relationship between Cisco and any other company. (1721R)

© 2023 Cisco Systems, Inc. All rights reserved.



CONTENTS

CHAPTER 1

Configuring Interface Characteristics 1

Information About Interface Characteristics 1

Interface Types 1

Port-Based VLANs 1

Switch Ports 2

Using the Switch USB Ports 4

USB Mini-Type B Console Port 5

Console Port Change Logs 5

USB 2.0 Host Port 5

Disabling USB Ports 6

Interface Connections 6

Interface Configuration Mode 6

Breakout Interfaces 7

Limitations for Breakout Interfaces 8

Default Ethernet Interface Configuration 9

Interface Speed and Duplex Mode 11

Speed Limitation for C9500X-60L4D 11

IEEE 802.3x Flow Control 11

Layer 3 Interfaces 12

How to Configure Interface Characteristics 13

Configuring an Interface 13

Adding a Description for an Interface 14

Configuring a Range of Interfaces 15

Configuring and Using Interface Range Macros 16

Configuring a Breakout Interface 18

Configuring Forty Gigabit Ethernet Interface 48

Configuring Hundred Gigabit Ethernet Interface	49
Configuring Hundred Gigabit Ethernet Interfaces on C9500-32QC	50
Configuring the IEEE 802.3x Flow Control	52
Configuring a Layer 3 Interface	53
Configuring a Logical Layer 3 GRE Tunnel Interface	54
Configuring SVI Autostate Exclude	56
Shutting Down and Restarting an Interface	57
Configuring the Console Media Type	58
Configuring USB Inactivity Timeout	59
Disabling USB Ports	59
Monitoring Interface Characteristics	60
Monitoring Interface Status	60
Clearing and Resetting Interfaces and Counters	61
Configuration Examples for Interface Characteristics	62
Example: Adding a Description to an Interface	62
Example: Configuring a Range of Interfaces	62
Example: Configuring and Using Interface Range Macros	62
Example: Configuring a Layer 3 Interface	63
Example: Configuring 40G and 100G on C9500-32QC	63
Example: Configuring a Breakout Interface	65
Example: Configuring 40G and 100G on C9500-32QC	69
Example: Configuring the Console Media Type	71
Example: Configuring USB Inactivity Timeout	71
Additional References for Configuring Interface Characteristics	72
Feature History for Configuring Interface Characteristics	72

CHAPTER 2
Configuring Ethernet Management Port 75

Prerequisites for Ethernet Management Port	75
Information About the Ethernet Management Port	75
Ethernet Management Port Direct Connection to a Device	75
Ethernet Management Port with StackWise Virtual	76
Ethernet Management Port and Routing	76
Supported Features on the Ethernet Management Port	76
How to Configure the Ethernet Management Port	77

Disabling and Enabling the Ethernet Management Port	77
Example for Configuring IP Address on Ethernet Management Interface	78
Additional References for Ethernet Management Port	79
Feature History for Ethernet Management Port	79

CHAPTER 3**Configuring LLDP, LLDP-MED, and Wired Location Service 81**

Restrictions for LLDP	81
Information About LLDP, LLDP-MED, and Wired Location Service	81
LLDP	81
LLDP Supported TLVs	82
LLDP-MED	82
LLDP-MED Supported TLVs	82
Wired Location Service	84
Default LLDP Configuration	85
How to Configure LLDP, LLDP-MED, and Wired Location Service	85
Enabling LLDP	85
Configuring LLDP Characteristics	86
Configuring LLDP-MED TLVs	88
Configuring Network-Policy TLV	89
Configuring Location TLV and Wired Location Service	90
Enabling Wired Location Service on the Device	92
Configuration Examples for LLDP, LLDP-MED, and Wired Location Service	93
Examples: Configuring Network-Policy TLV	93
Monitoring and Maintaining LLDP, LLDP-MED, and Wired Location Service	94
Additional References for LLDP, LLDP-MED, and Wired Location Service	95
Feature History for LLDP, LLDP-MED, and Wired Location Service	95

CHAPTER 4**Configuring Link Debounce Timer 97**

Restrictions for Link Debounce Timer	97
Information About Link Debounce Timer	97
Configuring Link Debounce Timer	98
Example: Configuring the Link Debounce Timer	98
Feature History for Link Debounce Timer	99

CHAPTER 5	Configuring System MTU	101
	Information About the MTU	101
	System MTU Value Application	101
	How to Configure MTU	102
	Configuring the System MTU	102
	Configuring Protocol-Specific MTU	102
	Configuration Examples for System MTU	103
	Example: Configuring Protocol-Specific MTU	103
	Example: Configuring the System MTU	104
	Additional References for System MTU	104
	Feature History for System MTU	104

CHAPTER 6	Configuring Per-Port MTU	107
	Restrictions for Per-Port MTU	107
	Information About Per-Port MTU	107
	Configuring Per-Port MTU	108
	Example: Configuring Per-Port MTU	108
	Example: Verifying Per-Port MTU	109
	Example: Disabling Per-Port MTU	109
	Feature History for Per-Port MTU	109

CHAPTER 7	Configuring Internal Power Supplies	111
	Restrictions for Internal Power Supplies	111
	Information About Internal Power Supplies	111
	How to Configure Internal Power Supplies	111
	Configuring Internal Power Supply	111
	Monitoring Internal Power Supplies	112
	Configuration Examples for Internal Power Supplies	112
	Additional References for Internal Power Supplies	114
	Feature History for Internal Power Supplies	114

CHAPTER 8	Configuring USB 3.0 SSD	115
	Information about USB 3.0 SSD	115

USB 3.0 SSD	115
File System on USB 3.0 SSD	116
Password Authentication on USB 3.0 SSD	116
How to Configure USB 3.0 SSD	116
Formatting USB 3.0 SSD	116
Unmounting USB 3.0 SSD from a Switch or a Switch Stack	116
Enabling Password Security on USB 3.0 SSD	117
Configuring USB 3.0 SSD Password on a Switch	118
Unlocking USB 3.0 SSD	119
Disabling Password Security on USB 3.0 SSD	119
Monitoring USB 3.0 SSD	119
Troubleshooting Tips	120
Troubleshooting USB 3.0 SSD Insertion and Removal	121
Troubleshooting Password Authentication	122
Configuration Examples for USB 3.0 SSD	123
Example: Displaying USB 3.0 SSD Authentication Status	123
Examples: Verifying the Filesystem	123
Examples: Verifying Physical Inventory Information	124
Examples: Verifying the Health of the Drive	124
Feature History for USB 3.0 SSD	125

CHAPTER 9

Configuring an External USB Bluetooth Dongle	127
Restrictions for Configuring an External USB Bluetooth Dongle	127
Information About External USB Bluetooth Dongle	127
Supported External USB Bluetooth Dongle	127
How to Configure an External USB Bluetooth Dongle on a Switch	128
Verifying Bluetooth Settings on a Device	129
Feature History for Configuring an External Bluetooth Dongle	129

CHAPTER 10

M2 SATA Module	131
M2 SATA Module on Cisco Catalyst 9500 Series High Performance and 9500X Switches	131
File System and Storage on M2 SATA	132
Limitations of M2 SATA	132
Self-Monitoring, Analysis and Reporting Technology System (S.M.A.R.T.) Health Monitoring	133

Accessing File System on M2 SATA	133
Formatting the M2 SATA Flash Disk	133
Operations on the SATA Module	134
Feature History for M2 SATA Module	136

CHAPTER 11	Troubleshooting Interface and Hardware Components	137
	Overview	137
	Support Articles	137
	Feedback Request	138
	Disclaimer and Caution	138



CHAPTER 1

Configuring Interface Characteristics

- [Information About Interface Characteristics, on page 1](#)
- [How to Configure Interface Characteristics, on page 13](#)
- [Configuration Examples for Interface Characteristics, on page 62](#)
- [Additional References for Configuring Interface Characteristics, on page 72](#)
- [Feature History for Configuring Interface Characteristics, on page 72](#)

Information About Interface Characteristics

The following sections provide information about interface characteristics.

Interface Types

This section describes the different types of interfaces supported by the device. The rest of the chapter describes configuration procedures for physical interface characteristics.

Port-Based VLANs

A VLAN is a switched network that is logically segmented by function, team, or application, without regard to the physical location of the users. Packets received on a port are forwarded only to ports that belong to the same VLAN as the receiving port. Network devices in different VLANs cannot communicate with one another without a Layer 3 device to route traffic between the VLANs.

VLAN partitions provide hard firewalls for traffic in the VLAN, and each VLAN has its own MAC address table. A VLAN comes into existence when a local port is configured to be associated with the VLAN, when the VLAN Trunking Protocol (VTP) learns of its existence from a neighbor on a trunk, or when a user creates a VLAN.

To configure VLANs, use the **vlan** *vlan-id* global configuration command to enter VLAN configuration mode. The VLAN configurations for normal-range VLANs (VLAN IDs 1 to 1005) are saved in the VLAN database. If VTP is version 1 or 2, to configure extended-range VLANs (VLAN IDs 1006 to 4094), you must first set VTP mode to transparent. Extended-range VLANs created in transparent mode are not added to the VLAN database but are saved in the running configuration. With VTP version 3, you can create extended-range VLANs in client or server mode in addition to transparent mode. These VLANs are saved in the VLAN database.

Add ports to a VLAN by using the **switchport** command in interface configuration mode.

- Identify the interface.
- For a trunk port, set trunk characteristics, and, if desired, define the VLANs to which it can belong.
- For an access port, set and define the VLAN to which it belongs.

Switch Ports

Switch ports are Layer 2-only interfaces associated with a physical port. Switch ports belong to one or more VLANs. A switch port can be an access port or a trunk port. You can configure a port as an access port or trunk port or let the Dynamic Trunking Protocol (DTP) operate on a per-port basis to set the switchport mode by negotiating with the port on the other end of the link. Switch ports are used for managing the physical interface and associated Layer 2 protocols and do not handle routing or bridging.

Configure switch ports by using the **switchport** interface configuration commands.

Access Ports

An access port belongs to and carries the traffic of only one VLAN (unless it is configured as a voice VLAN port). Traffic is received and sent in native formats with no VLAN tagging. Traffic arriving on an access port is assumed to belong to the VLAN assigned to the port. If an access port receives a tagged packet (Inter-Switch Link [ISL] or IEEE 802.1Q tagged), the packet is dropped, and the source address is not learned.

The types of access ports supported are:

- Static access ports are manually assigned to a VLAN (or through a RADIUS server for use with IEEE 802.1x).

You can also configure an access port with an attached Cisco IP Phone to use one VLAN for voice traffic and another VLAN for data traffic from a device attached to the phone.

Trunk Ports

A trunk port carries the traffic of multiple VLANs and by default is a member of all VLANs in the VLAN database. The IEEE 802.1Q trunk port type is supported. An IEEE 802.1Q trunk port supports simultaneous tagged and untagged traffic. An IEEE 802.1Q trunk port is assigned a default port VLAN ID (PVID), and all untagged traffic travels on the port default PVID. All untagged traffic and tagged traffic with a NULL VLAN ID are assumed to belong to the port default PVID. A packet with a VLAN ID equal to the outgoing port default PVID is sent untagged. All other traffic is sent with a VLAN tag.

Although by default, a trunk port is a member of every VLAN known to the VTP, you can limit VLAN membership by configuring an allowed list of VLANs for each trunk port. The list of allowed VLANs does not affect any other port but the associated trunk port. By default, all possible VLANs (VLAN ID 1 to 4094) are in the allowed list. A trunk port can become a member of a VLAN only if VTP knows of the VLAN and if the VLAN is in the enabled state. If VTP learns of a new, enabled VLAN and the VLAN is in the allowed list for a trunk port, the trunk port automatically becomes a member of that VLAN and traffic is forwarded to and from the trunk port for that VLAN. If VTP learns of a new, enabled VLAN that is not in the allowed list for a trunk port, the port does not become a member of the VLAN, and no traffic for the VLAN is forwarded to or from the port.

Tunnel Ports

Tunnel ports are used in IEEE 802.1Q tunneling to segregate the traffic of customers in a service-provider network from other customers who are using the same VLAN number. You configure an asymmetric link from a tunnel port on a service-provider edge switch to an IEEE 802.1Q trunk port on the customer switch.

Packets entering the tunnel port on the edge switch, already IEEE 802.1Q-tagged with the customer VLANs, are encapsulated with another layer of an IEEE 802.1Q tag (called the metro tag), containing a VLAN ID unique in the service-provider network, for each customer. The double-tagged packets go through the service-provider network keeping the original customer VLANs separate from those of other customers. At the outbound interface, also a tunnel port, the metro tag is removed, and the original VLAN numbers from the customer network are retrieved.

Tunnel ports cannot be trunk ports or access ports and must belong to a VLAN unique to each customer.

Routed Ports

A routed port is a physical port that acts like a port on a router; it does not have to be connected to a router. A routed port is not associated with a particular VLAN, as is an access port. A routed port behaves like a regular router interface, except that it does not support VLAN subinterfaces. Routed ports can be configured with a Layer 3 routing protocol. A routed port is a Layer 3 interface only and does not support Layer 2 protocols, such as DTP and STP.

Configure routed ports by putting the interface into Layer 3 mode with the **no switchport** interface configuration command. Then assign an IP address to the port, enable routing, and assign routing protocol characteristics by using the **ip routing** and **router protocol** global configuration commands.



Note Entering a **no switchport** interface configuration command shuts down the interface and then re-enables it, which might generate messages on the device to which the interface is connected. When you put an interface that is in Layer 2 mode into Layer 3 mode, the previous configuration information related to the affected interface might be lost.



Note A port configured as a switchport does not support MAC address configuration. It does not support the **mac-address x.x.x** command.

The number of routed ports that you can configure is not limited by software. However, the interrelationship between this number and the number of other features being configured might impact CPU performance because of hardware limitations.

Switch Virtual Interfaces

A switch virtual interface (SVI) represents a VLAN of switch ports as one interface to the routing function in the system. You can associate only one SVI with a VLAN. You configure an SVI for a VLAN only to route between VLANs or to provide IP host connectivity to the device. By default, an SVI is created for the default VLAN (VLAN 1) to permit remote device administration. Additional SVIs must be explicitly configured.



Note You cannot delete interface VLAN 1.

SVIs provide IP host connectivity only to the system. SVIs are created the first time that you enter the **vlan** interface configuration command for a VLAN interface. The VLAN corresponds to the VLAN tag associated with data frames on an ISL or IEEE 802.1Q encapsulated trunk or the VLAN ID configured for an access port. Configure a VLAN interface for each VLAN for which you want to route traffic, and assign it an IP address.

You can also use the interface range command to configure existing VLAN SVIs within the range. The commands entered under the interface range command are applied to all existing VLAN SVIs within the range. You can enter the command **interface range create vlan** *x - y* to create all VLANs in the specified range that do not already exist. When the VLAN interface is created, **interface range vlan** *id* can be used to configure the VLAN interface.

Although the device supports a total of 1005 VLANs and SVIs, the interrelationship between the number of SVIs and routed ports and the number of other features being configured might impact CPU performance because of hardware limitations.

When you create an SVI, it does not become active until it is associated with a physical port.

EtherChannel Port Groups

EtherChannel port groups treat multiple switch ports as one switch port. These port groups act as a single logical port for high-bandwidth connections between devices or between devices and servers. An EtherChannel balances the traffic load across the links in the channel. If a link within the EtherChannel fails, traffic previously carried over the failed link changes to the remaining links. You can group multiple trunk ports into one logical trunk port, group multiple access ports into one logical access port, group multiple tunnel ports into one logical tunnel port, or group multiple routed ports into one logical routed port. Most protocols operate over either single ports or aggregated switch ports and do not recognize the physical ports within the port group. Exceptions are the DTP, the Cisco Discovery Protocol (CDP), and the Port Aggregation Protocol (PAgP), which operate only on physical ports.

When you configure an EtherChannel, you create a port-channel logical interface and assign an interface to the EtherChannel. For Layer 3 interfaces, you manually create the logical interface by using the **interface port-channel** global configuration command. Then you manually assign an interface to the EtherChannel by using the **channel-group** interface configuration command. For Layer 2 interfaces, use the **channel-group** interface configuration command to dynamically create the port-channel logical interface. This command binds the physical and logical ports together.

Network Modules

The device supports two network modules that include 10-Gigabit Ethernet and 40-Gigabit Ethernet uplink ports. Though they are named Ethernet, all ports are only fiber ports.

The following are the network modules supported:

- 8x10G
- 2x40G



Note This is applicable only on C9500-16X and C9500-40X models of the Cisco Catalyst 9500 Series Switches.

The network modules that are supported on the Cisco Catalyst 9300X-HXN Series Switches are listed in the table. The ports that are usable on each network module and the releases for which the ports are usable have been listed.

Using the Switch USB Ports

The device has two USB ports on the front panel: a USB mini-Type B console port and a USB 2.0 host port and a USB 3.0 port on the rear panel. Note that the Cisco Catalyst 9500 Series Switches - High Performance

do not have a USB port on the rear panel. Cisco Catalyst 9500X Series Switches do not have a USB port on the front panel.

USB Mini-Type B Console Port

The device has the following console ports:

- USB mini-Type B console connection
- RJ-45 console port

Console output appears on devices connected to both ports, but console input is active on only one port at a time. By default, the USB connector takes precedence over the RJ-45 connector.



Note Windows PCs require a driver for the USB port. See the hardware installation guide for driver installation instructions.

Use the supplied USB Type A-to-USB mini-Type B cable to connect a PC or other device to the device. The connected device must include a terminal emulation application. When the device detects a valid USB connection to a powered-on device that supports host functionality (such as a PC), input from the RJ-45 console is immediately disabled, and input from the USB console is enabled. Removing the USB connection immediately reenables input from the RJ-45 console connection. An LED on the device shows which console connection is in use.

Console Port Change Logs

At software startup, a log shows whether the USB or the RJ-45 console is active. Every device always first displays the RJ-45 media type.

In the sample output, device 1 has a connected USB console cable. Because the bootloader did not change to the USB console, the first log from the device shows the RJ-45 console. A short time later, the console changes and the USB console log appears.

```
switch-1
*Mar  1 00:01:00.171: %USB_CONSOLE-6-MEDIA_RJ45: Console media-type is RJ45.
*Mar  1 00:01:00.431: %USB_CONSOLE-6-MEDIA_USB: Console media-type is USB.
```

When the USB cable is removed or the PC de-activates the USB connection, the hardware automatically changes to the RJ-45 console interface:

You can configure the console type to always be RJ-45, and you can configure an inactivity timeout for the USB connector.

USB 2.0 Host Port

The USB 2.0 host port provides access to external USB flash devices, also known as thumb drives or USB keys. The port supports Cisco USB flash drives with capacities from 128 MB to 16 GB (USB devices with port densities of 128 MB, 256 MB, 1 GB, 4 GB, 8 GB, and 16 GB are supported). You can use standard Cisco IOS command-line interface (CLI) commands to read, write, erase, and copy to or from the flash device. You can also configure the device to boot from the USB flash drive.

Disabling USB Ports

From Cisco IOS XE Bengaluru 17.5.x, all the USB ports in a standalone or stacked device can be disabled using the **platform usb disable** command. To reenble the USB ports, use the **no platform usb disable** command.

When a USB port is disabled, no system messages are generated if a USB is inserted.



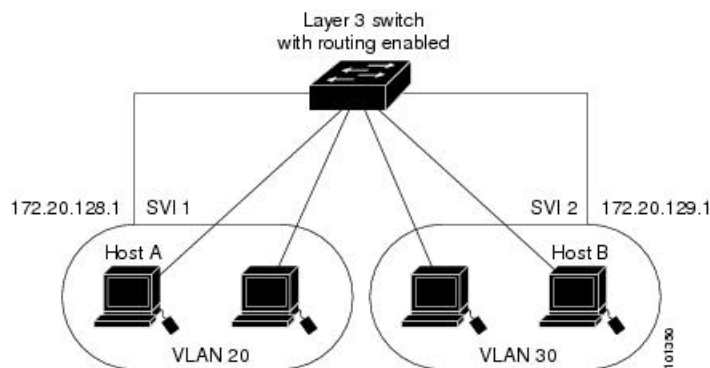
Note The **platform usb disable** command does not disable Bluetooth dongles connected to USB ports.

This command works on a device configured with Cisco StackWise Virtual.

Interface Connections

Devices within a single VLAN can communicate directly through any switch. Ports in different VLANs cannot exchange data without going through a routing device. With a standard Layer 2 device, ports in different VLANs have to exchange information through a router. By using the device with routing enabled, when you configure both VLAN 20 and VLAN 30 with an SVI to which an IP address is assigned, packets can be sent from Host A to Host B directly through the device with no need for an external router.

Figure 1: Connecting VLANs with a Switch



When the Network Advantage license is used on the device or the active device, the device uses the routing method to forward traffic between interfaces. If the Network Essentials license is used on the device or the active device, only basic routing (static routing and RIP) is supported. Whenever possible, to maintain high performance, forwarding is done by the device hardware. However, only IPv4 packets with Ethernet II encapsulation are routed in hardware.

The routing function can be enabled on all SVIs and routed ports. The device routes only IP traffic. When IP routing protocol parameters and address configuration are added to an SVI or routed port, any IP traffic received from these ports is routed.

Interface Configuration Mode

The device supports these interface types:

- Physical ports: Device ports and routed ports
- VLANs: Switch virtual interfaces

- Port channels: EtherChannel interfaces

You can also configure a range of interfaces.

To configure a physical interface (port), specify the interface type, module number, and device port number, and enter interface configuration mode.

- Type: FortyGigabitEthernet (fortygigabitethernet or fo) fiber ports.
- Switch number: The number that identifies the given device. The number range is assigned the first time the device initializes.
- Module number: The module or slot number on the device: switch (downlink) ports are 0, and uplink ports are 1.



Note Cisco Catalyst 9500 Series Switches - High Performance have their Module number as 0 always.

- Port number: The interface number on the device. The 10/100/1000 port numbers always begin at 1, starting with the far left port when facing the front of the device, for example, FortyGigabitEthernet1/0/1 or FortyGigabitEthernet1/0/8.

On a device with SFP uplink ports, the module number is 1 and the port numbers restart. For example, if the device has 24 10/100/1000 ports, the SFP module ports are GigabitEthernet1/1/1 through GigabitEthernet1/1/4 or TenGigabitEthernet1/1/1 through TenGigabitEthernet1/1/4.

You can identify physical interfaces by physically checking the interface location on the device. You can also use the **show** privileged EXEC commands to display information about a specific interface or all the interfaces on the switch. The remainder of this chapter primarily provides physical interface configuration procedures.

These are examples of how to configure interfaces on standalone device:

- To configure 40-G port 4 on a standalone device, enter this command:

```
Device# configure terminal
Device(config)# interface FortyGigabitEthernet1/0/4
```

Breakout Interfaces

Cisco Catalyst 9500 Series Switches support breakout cables. These cables support 4x10 G by enabling a single 40-G QSFP+ interface to be split into four 10-G SFP+ interfaces and a single 100-G QSFP28 interface into four 25-G SFP28 interfaces. Starting with Cisco IOS XE Gibraltar 16.11.1, support for breakout cables is enabled for Cisco Catalyst 9500 Series Switches - High Performance with Cisco StackWise Virtual. Starting with Cisco IOS XE Cupertino 17.7.1, support for breakout cables is enabled for the C9500X-28C8D model of Cisco Catalyst 9500 Series Switches. Since its release with the Cisco IOS XE Dublin 17.10.1b, the 9500X-60L4D model of Cisco Catalyst 9500 Series Switches supports breakout cables.

Switch Models

- C9500-12Q
- C9500-24Q

- C9500-40X-2Q
- C9500-16X-2Q
- C9500-32C
- C9500X-28C8D
- C9500X-60L4D

Network Modules

- C9500-NM-2Q

Limitations for Breakout Interfaces

Catalyst 9500 Series Switches

- To enable breakout for dual mode QSFP breakout cables, the **hw-module breakout module slot port port-range switch switch-num** command must be configured on all the ports of the switch. The range for the variables in the **hw-module breakout module slot port port-range switch switch-num** command are given below:
 - *slot* — Slot number of port depending on the chassis model.
 - *port-range* — Single port or range of ports on which breakout is configured. The range varies from 1 to 24.
 - *switch-num* — Switch number in the stack. The range varies from 1 to 8.

See [Breakout Interfaces](#) for the list of configurable interfaces.

- When Cisco StackWise Virtual is configured, breakout ports using 4X10G breakout cables can only be used as data ports; they cannot be used to configure StackWise Virtual links (SVLs) or dual-active detective (DAD) links.

Catalyst 9500 Series Switches - High Performance

- Breakout is supported only on 24 ports of the C9500-32C switch model. Every 4th port of C9500-32C does not support breakout due to ASIC limitation. Port numbers 4, 8, 12, 16, 20, 24, 28 and 32 — Hu1/0/4, Hu1/0/8, Hu1/0/12, Hu1/0/16, Hu1/0/20, Hu1/0/24, Hu1/0/28 and Hu1/0/32 — do not support breakout.
- Parent port is disabled after breakout is enabled on it but configuration on the parent port is saved.
- Breakout ports appear in the output of **show run**, **show interface status**, **show ip interface brief** and other show and configuration commands once breakout is enabled and they are automatically removed from all the show and configuration CLIs when breakout is disabled.
- When Cisco StackWise Virtual is configured, breakout ports using 4X25G and 4X10G breakout cables can only be used as data ports; they cannot be used to configure SVLs or DAD links.
- LED of the physical port on which breakout is enabled turns green if any one of the four breakout link is up but it turns off only when all the four breakout links are down.

See [Breakout Interfaces](#) for the list of configurable interfaces.

Catalyst 9500X Series Switches

- To enable breakout for dual mode QSFP breakout cables on a standalone switch, the **hw-module breakout port number** or **hw-module breakout range** *port range* command must be configured on a port.

For Cisco Catalyst 9500X-28C8D Series switches, the range for the variables in these commands are listed below:

- port number** — The port number to be converted into breakout ports. The range is 1- 36
- port range* — Single port or range of ports on which breakout is configured. The range varies from 1 to 36.

For Cisco Catalyst 9500X-60L4D Series switches, the range for the variables in these commands are listed below:

- port number** — The port number to be converted into breakout ports. The range is 31- 34
- port range* — Single port or range of ports on which breakout is configured. The range varies from 31 to 34.

- On Cisco Catalyst 9500X-208C8D Series switches, breakout is supported only on odd 100-G ports and on both odd and even 400-G ports.

On Cisco Catalyst 9500X-60L4D Series switches, breakout is supported only on 400-G ports.

When you enable breakout on an odd 100-G port, the next even port becomes inactive. You should disable the even port if it is in a connected state. For example, if breakout has to be enabled on port Hu1/0/5, you should ensure that Hu1/0/6 is in not connected state and is in disabled state.

- Parent port and the adjacent port (in case of 100-G ports) is disabled after breakout is enabled and the configuration on the parent port is deleted and not saved. The port returns to a default port status.
- Breakout ports appear in the output of **show run**, **show interface status**, **show ip interface brief** and other show and configuration commands once breakout is enabled and they are automatically removed from all the show and configuration CLIs when breakout is disabled.

See [Breakout Interfaces](#) for the list of configurable interfaces.

Default Ethernet Interface Configuration

To configure Layer 2 parameters, if the interface is in Layer 3 mode, you must enter the **switchport** interface configuration command without any parameters to put the interface into Layer 2 mode. This shuts down the interface and then re-enables it, which might generate messages on the device to which the interface is connected. When you put an interface that is in Layer 3 mode into Layer 2 mode, the previous configuration information related to the affected interface might be lost, and the interface is returned to its default configuration.



Note Starting from Cisco IOS XE Gibraltar 16.11.1, the Cisco Catalyst 9500 Series Switches - High Performance bootup with interfaces in the default Layer 2 state. In all earlier releases, the default is Layer 3. (For all other models of the Cisco Catalyst 9500 Series Switches, the default interface continues to be Layer 2)

The default switchport mode for all Ethernet interfaces is **dynamic auto** for Cisco Catalyst 9500 Series Switches - High Performance and Cisco Catalyst 9500X Series Switches.

This table shows the Ethernet interface default configuration, including some features that apply only to Layer 2 interfaces.

Table 1: Default Layer 2 Ethernet Interface Configuration

Feature	Default Setting
Operating mode	Layer 2 or switching mode (switchport command) for C9500-12Q-E, C9500-12Q-A, C9500-24Q-E, C9500-24Q-A, C9500-40X-E, and C9500-40X-A models of the Cisco Catalyst 9500 Series Switches. Layer 3 or routed port for Cisco Catalyst 9500 Series Switches - High Performance and Cisco Catalyst 9500X Series Switches.
Allowed VLAN range	VLANs 1 to 4094.
Default VLAN (for access ports)	VLAN 1 (Layer 2 interfaces only).
Native VLAN (for IEEE 802.1Q trunks)	VLAN 1 (Layer 2 interfaces only).
VLAN trunking	Switchport mode dynamic auto (supports DTP) (Layer 2 interfaces only).
Port enable state	All ports are enabled.
Port description	None defined.
Speed	Autonegotiate. (Not supported on the 40-Gigabit interfaces.)
Duplex mode	Autonegotiate. (Not supported on the 40-Gigabit interfaces.) Cisco Catalyst 9500 Series Switches - High Performance and Cisco Catalyst 9500X Series Switches support full duplex mode.
Flow control	Flow control is set to receive: on . It is always off for sent packets.
EtherChannel (PAgP)	Disabled on all Ethernet ports.
Port blocking (unknown multicast and unknown unicast traffic)	Disabled (not blocked) (Layer 2 interfaces only).
Broadcast, multicast, and unicast storm control	Disabled.
Protected port	Disabled (Layer 2 interfaces only).
Port security	Disabled (Layer 2 interfaces only).
Port Fast	Disabled.
Auto-MDIX	Enabled.

Interface Speed and Duplex Mode

The ethernet interfaces operate at full duplex mode. In full-duplex mode, two stations can send and receive traffic at the same time.

The following table lists the modules and the speed at which they operate.

Module	Speed with Transceiver Module Plugged in
C9500-32QC	40G, or 100G with a QSFP transceiver module, or 10G with CVR-QSFP-SFP10G transceiver module.
C9500-32C	40G, or 100G with a QSFP transceiver module, or 10G with CVR-QSFP-SFP10G transceiver module.
C9500-48Y4C	1G with SFP module, 10G with SFP+ module, 25G with QSFP28 module, 40G and 100G with QSFP module
C9500-24Y4C	1G with SFP module, 10G with SFP+ module, 25G with QSFP28 module, 40G and 100G with QSFP module.



Note SFP, SFP+ and SFP28 ports support speed (auto/10/100/100) and duplex (auto/full/half) options only if the 1000Base-T SFP or the GLC-GE-100FX modules are used.

Speed Limitation for C9500X-60L4D

- Each set of adjacent SFP ports such as ports 1 and 2, ports 4 and 5, ports 7 and 8, and so on, must be configured with the same speed. You can use the **show hw-module slot *slot_number* port-group speed** command to view port group speed. Port group limitation does not apply to all 400G and 50G ports on the bottom row (such as ports 3, 6, 9, 12, so on).
- If port-group speed is configured and mismatched optics are inserted, that port goes into the err-disabled state.
- If port-group speed is not configured and a transceiver module is inserted in the port-group, the behavior is in-deterministic.

IEEE 802.3x Flow Control

Flow control enables connected Ethernet ports to control traffic rates during congestion by allowing congested nodes to pause link operation at the other end. If one port experiences congestion and cannot receive any more traffic, it notifies the other port by sending a pause frame to stop sending until the condition clears. Upon receipt of a pause frame, the sending device stops sending any data packets, which prevents any loss of data packets during the congestion period.



Note The switch ports can receive, but not send, pause frames.

You use the **flowcontrol** interface configuration command to set the interface's ability to **receive** pause frames to **on**, **off**, or **desired**. The default state is **on**.

When set to **desired**, an interface can operate with an attached device that is required to send flow-control packets or with an attached device that is not required to but can send flow-control packets.

These rules apply to flow control settings on the device:

- **receive on** (or **desired**): The port cannot send pause frames but can operate with an attached device that is required to or can send pause frames; the port can receive pause frames.
- **receive off**: Flow control does not operate in either direction. In case of congestion, no indication is given to the link partner, and no pause frames are sent or received by either device.



Note For details on the command settings and the resulting flow control resolution on local and remote ports, see the **flowcontrol** interface configuration command in the command reference for this release.

Layer 3 Interfaces

The device supports these types of Layer 3 interfaces:

- **SVIs**: You should configure SVIs for any VLANs for which you want to route traffic. SVIs are created when you enter a VLAN ID following the **interface vlan** global configuration command. To delete an SVI, use the **no interface vlan** global configuration command. You cannot delete interface VLAN 1.



-
- Note**
- When you create an SVI, it does not become active until it is associated with a physical port.
 - SVI MAC addresses do not change after a device reload. This is expected behavior.
-

When configuring SVIs, you can use the **switchport autostate exclude** command on a port to exclude that port from being included in determining SVI line-state. To disable autostate on the SVI, use the **no autostate** command on the SVI.

- **Routed ports**: Routed ports are physical ports configured to be in Layer 3 mode by using the **no switchport** interface configuration command. A routed port supports VLAN subinterfaces.

VLAN subinterface: A 802.1Q VLAN subinterface is a virtual Cisco IOS interface that is associated with a VLAN id on a routed physical interface. The parent interface is a physical port. Subinterfaces can be created only on Layer 3 physical interfaces. A subinterface can be associated with different functionalities such as IP addressing, forwarding policies, Quality of Service (QoS) policies, and security policies. Subinterfaces divide the parent interface into two or more virtual interfaces on which you can assign unique Layer 3 parameters such as IP addresses and dynamic routing protocols. The IP address for each subinterface should be in a different subnet from any other subinterface on the parent interface.

- Layer 3 EtherChannel ports: EtherChannel interfaces made up of routed ports.

A Layer 3 device can have an IP address assigned to each routed port and SVI.

There is no defined limit to the number of SVIs and routed ports that can be configured in a device or in a device stack. However, the interrelationship between the number of SVIs and routed ports and the number of other features being configured might have an impact on CPU usage because of hardware limitations. If the device is using its maximum hardware resources, attempts to create a routed port or SVI have these results:

- If you try to create a new routed port, the device generates a message that there are not enough resources to convert the interface to a routed port, and the interface remains as a switchport.
- If you try to create an extended-range VLAN, an error message is generated, and the extended-range VLAN is rejected.
- If the device is notified by VLAN Trunking Protocol (VTP) of a new VLAN, it sends a message that there are not enough hardware resources available and shuts down the VLAN. The output of the **show vlan** user EXEC command shows the VLAN in a suspended state.
- If the device attempts to boot up with a configuration that has more VLANs and routed ports than hardware can support, the VLANs are created, but the routed ports are shut down, and the device sends a message that this was due to insufficient hardware resources.



Note All Layer 3 interfaces require an IP address to route traffic. This procedure shows how to configure an interface as a Layer 3 interface and how to assign an IP address to an interface:

If the physical port is in Layer 2 mode (the default), you must enter the **no switchport** interface configuration command to put the interface into Layer 3 mode. Entering a **no switchport** command disables and then re-enables the interface, which might generate messages on the device to which the interface is connected. Furthermore, when you put an interface that is in Layer 2 mode into Layer 3 mode, the previous configuration information related to the affected interface might be lost, and the interface is returned to its default configuration.

How to Configure Interface Characteristics

The following sections provide information about the various tasks that comprise the procedure to configure interface characteristics.

Configuring an Interface

These general instructions apply to all interface configuration processes.

Procedure

	Command or Action	Purpose
Step 1	enable Example: Device> enable	Enables privileged EXEC mode. Enter your password, if prompted.

	Command or Action	Purpose
Step 2	configure terminal Example: Device# <code>configure terminal</code>	Enters global configuration mode.
Step 3	interface Example: Device(config)# <code>interface fortygigabitethernet1/0/1</code> Device(config-if)#	Identifies the interface type, and the number of the connector. Note You do not need to add a space between the interface type and the interface number. For example, in the preceding line, you can specify either <code>fortygigabitethernet 1/0/1</code> , or <code>fortygigabitethernet1/0/1</code> .
Step 4	Follow each interface command with the interface configuration commands that the interface requires.	Defines the protocols and applications that will run on the interface. The commands are collected and applied to the interface when you enter another interface command or enter end to return to privileged EXEC mode.
Step 5	interface range or interface range macro	(Optional) Configures a range of interfaces. Note Interfaces configured in a range must be the same type and must be configured with the same feature options.
Step 6	show interfaces	Displays a list of all interfaces on or configured for the switch. A report is provided for each interface that the device supports or for the specified interface.

Adding a Description for an Interface

Follow these steps to add a description for an interface.

Procedure

	Command or Action	Purpose
Step 1	enable Example: Device> <code>enable</code>	Enables privileged EXEC mode. Enter your password, if prompted.
Step 2	configure terminal Example:	Enters global configuration mode.

	Command or Action	Purpose
	Device# <code>configure terminal</code>	
Step 3	interface <i>interface-id</i> Example: Device(config)# interface fortygigabitethernet1/0/2	Specifies the interface for which you are adding a description, and enter interface configuration mode.
Step 4	description <i>string</i> Example: Device(config-if)# description Connects to Marketing	Adds a description for an interface.
Step 5	end Example: Device(config-if)# end	Returns to privileged EXEC mode.
Step 6	show interfaces <i>interface-id</i> description	Verifies your entry.
Step 7	copy running-config startup-config Example: Device# copy running-config startup-config	(Optional) Saves your entries in the configuration file.

Configuring a Range of Interfaces

To configure multiple interfaces with the same configuration parameters, use the **interface range** global configuration command. When you enter the interface-range configuration mode, all command parameters that you enter are attributed to all interfaces within that range until you exit this mode.

Procedure

	Command or Action	Purpose
Step 1	enable Example: Device> enable	Enables privileged EXEC mode. Enter your password, if prompted.
Step 2	configure terminal Example: Device# configure terminal	Enters global configuration mode.

	Command or Action	Purpose
Step 3	<p>interface range {<i>port-range</i> macro <i>macro_name</i>}</p> <p>Example:</p> <pre>Device(config)# interface range macro</pre>	<p>Specifies the range of interfaces (VLANs or physical ports) to be configured, and enter interface-range configuration mode.</p> <ul style="list-style-type: none"> You can use the interface range command to configure up to five port ranges or a previously defined macro. The macro variable is explained in Configuring and Using Interface Range Macros. In a comma-separated <i>port-range</i>, you must enter the interface type for each entry and enter spaces before and after the comma. In a hyphen-separated <i>port-range</i>, you do not need to re-enter the interface type, but you must enter a space before the hyphen. <p>Note Use the normal configuration commands to apply the configuration parameters to all interfaces in the range. Each command is executed as it is entered.</p>
Step 4	<p>end</p> <p>Example:</p> <pre>Device(config)# end</pre>	Returns to privileged EXEC mode.
Step 5	<p>show interfaces [<i>interface-id</i>]</p> <p>Example:</p> <pre>Device# show interfaces</pre>	Verifies the configuration of the interfaces in the range.
Step 6	<p>copy running-config startup-config</p> <p>Example:</p> <pre>Device# copy running-config startup-config</pre>	(Optional) Saves your entries in the configuration file.

Configuring and Using Interface Range Macros

You can create an interface range macro to automatically select a range of interfaces for configuration. Before you can use the **macro** keyword in the **interface range macro** global configuration command string, you must use the **define interface-range** global configuration command to define the macro.

Procedure

	Command or Action	Purpose
Step 1	enable Example: <pre>Device> enable</pre>	Enables privileged EXEC mode. Enter your password, if prompted.
Step 2	configure terminal Example: <pre>Device# configure terminal</pre>	Enters global configuration mode.
Step 3	define interface-range <i>macro_name</i> <i>interface-range</i> Example: <pre>Device(config)# define interface-range enet_list fortygigabitethernet1/0/1 - 5</pre>	Defines the interface-range macro, and saves it in NVRAM. <ul style="list-style-type: none"> • The <i>macro_name</i> is a 32-character maximum character string. • A macro can contain up to five comma-separated interface ranges. • Each <i>interface-range</i> must consist of the same port type. <p>Note Before you can use the macro keyword in the interface range macro global configuration command string, you must use the define interface-range global configuration command to define the macro.</p>
Step 4	interface range macro <i>macro_name</i> Example: <pre>Device(config)# interface range macro enet_list</pre>	Selects the interface range to be configured using the values saved in the interface-range macro called <i>macro_name</i> . You can now use the normal configuration commands to apply the configuration to all interfaces in the defined macro.
Step 5	end Example: <pre>Device(config)# end</pre>	Returns to privileged EXEC mode.
Step 6	show running-config include define Example: <pre>Device# show running-config include define</pre>	Shows the defined interface range macro configuration.

	Command or Action	Purpose
Step 7	copy running-config startup-config Example: Device# copy running-config startup-config	(Optional) Saves your entries in the configuration file.

Configuring a Breakout Interface

For information about device compatibility, see the [Transceiver Module Group \(TMG\) Compatibility Matrix](#).

C9500-NM-2Q Network Module

The default port connections for the C9500-NM-2Q module depend on whether you use a 40G QSFP module or a 4x10G breakout cable.

- If you use a 40G QSFP module, the ports default to 40G interfaces.
- If you use a 4x10G breakout cable, one 40G port is split into four 10G ports.
- You can use a combination of 40G QSFP modules and 4x10G breakout cables.
- For a 40G port —**FortyGigabitEthernet 1/1/port-num**, the corresponding starting port in every set of the four 10G breakout ports is **TenGigabitEthernet 1/1/4xport-num-3**, where *port-num* is the port number. For example, the starting port in the first set of 10G breakout ports is TenGigabitEthernet1/1/1, the starting port in the second set of 10G starting breakout ports is TenGigabitEthernet1/1/5 and so on.

The following tables list all the interfaces which are configurable depending on the type of module and cable used. Note that the **show interface status** command displays all the interfaces in the active state.

- In [Table 2: C9500-NM-2Q Module with two 40G QSFP Modules](#), the 10G interfaces are displayed but are not active.
- In [Table 3: C9500-NM-2Q Module with two 4x10G Breakout Cables](#), the 40G interfaces are displayed but are not active.

Table 2: C9500-NM-2Q Module with two 40G QSFP Modules

Interface	Action
FortyGigabitEthernet1/1/1	Configure this interface
FortyGigabitEthernet1/1/2	Configure this interface
TenGigabitEthernet1/1/1	Disregard
TenGigabitEthernet1/1/2	Disregard
TenGigabitEthernet1/1/3	Disregard
TenGigabitEthernet1/1/4	Disregard
TenGigabitEthernet1/1/5	Disregard

Interface	Action
TenGigabitEthernet1/1/6	Disregard
TenGigabitEthernet1/1/7	Disregard
TenGigabitEthernet1/1/8	Disregard

Table 3: C9500-NM-2Q Module with two 4x10G Breakout Cables

Interface	Action
FortyGigabitEthernet1/1/1	Disregard
FortyGigabitEthernet1/1/2	Disregard
TenGigabitEthernet1/1/1	Configure this interface
TenGigabitEthernet1/1/2	Configure this interface
TenGigabitEthernet1/1/3	Configure this interface
TenGigabitEthernet1/1/4	Configure this interface
TenGigabitEthernet1/1/5	Configure this interface
TenGigabitEthernet1/1/6	Configure this interface
TenGigabitEthernet1/1/7	Configure this interface
TenGigabitEthernet1/1/8	Configure this interface

C9500-12Q

The default port connections on the C9500-12Q switch model depends on whether you use a 40G QSFP module or a dual mode breakout cable.

- If you use a 40G QSFP module, the ports default to 40G interfaces.
- If you use a dual mode breakout cable, you can either configure a 40G port or four 10G ports by using the **hw-module breakout module module-num port port-num switch switch-num** command to switch between the 40G straight mode and 4x10G breakout mode, where *module-num* is 1, *port-num* varies from 1 to 12 and *switch-num* is the switch number in the stack which varies from 1 to 8.
- You can use a combination of 40G QSFP modules and 4x10G breakout cables.
- For a 40G port — **FortyGigabitEthernet 1/0/port-num**, the corresponding starting port in every set of the four 10G breakout ports is **TenGigabitEthernet 1/0/4xport-num-3**, where *port-num* is the port number. For example, the starting port in the first set of 10G breakout ports is TenGigabitEthernet1/0/1, the starting port in the second set of 10G starting breakout ports is TenGigabitEthernet1/0/5 and so on.

The following tables list all the interfaces which are configurable depending on the type of module and cable used. Note that the **show interface status** command displays all the interfaces in the active state.

- In [Table 4: C9500-12Q with only 40G QSFP Modules](#) in all the 12 ports, the 10G interfaces are displayed but are not active.
- In [Table 5: C9500-12Q with Breakout Cables](#) in all the ports, both the 10G and 40G interfaces are displayed. All the 10G interfaces from TenGigabitEthernet1/0/1 through TenGigabitEthernet1/0/48 are active and all the 40G interfaces from FortyGigabitEthernet1/0/1 through FortyGigabitEthernet1/0/12 are not active.

Table 4: C9500-12Q with only 40G QSFP Modules

Interface	Action
FortyGigabitEthernet1/0/1	Configure this interface
FortyGigabitEthernet1/0/2	Configure this interface
FortyGigabitEthernet1/0/3	Configure this interface
FortyGigabitEthernet1/0/4	Configure this interface
FortyGigabitEthernet1/0/5	Configure this interface
FortyGigabitEthernet1/0/6	Configure this interface
FortyGigabitEthernet1/0/7	Configure this interface
FortyGigabitEthernet1/0/8	Configure this interface
FortyGigabitEthernet1/0/9	Configure this interface
FortyGigabitEthernet1/0/10	Configure this interface
FortyGigabitEthernet1/0/11	Configure this interface
FortyGigabitEthernet1/0/12	Configure this interface
TenGigabitEthernet1/0/1	Disregard
TenGigabitEthernet1/0/2	Disregard
TenGigabitEthernet1/0/3	Disregard
TenGigabitEthernet1/0/4	Disregard
TenGigabitEthernet1/0/5	Disregard
TenGigabitEthernet1/0/6	Disregard
TenGigabitEthernet1/0/7	Disregard
TenGigabitEthernet1/0/8	Disregard
TenGigabitEthernet1/0/9	Disregard
TenGigabitEthernet1/0/10	Disregard

Interface	Action
TenGigabitEthernet1/0/11	Disregard
TenGigabitEthernet1/0/12	Disregard
TenGigabitEthernet1/0/13	Disregard
TenGigabitEthernet1/0/14	Disregard
TenGigabitEthernet1/0/15	Disregard
TenGigabitEthernet1/0/16	Disregard
TenGigabitEthernet1/0/17	Disregard
TenGigabitEthernet1/0/18	Disregard
TenGigabitEthernet1/0/19	Disregard
TenGigabitEthernet1/0/20	Disregard
TenGigabitEthernet1/0/21	Disregard
TenGigabitEthernet1/0/22	Disregard
TenGigabitEthernet1/0/23	Disregard
TenGigabitEthernet1/0/24	Disregard
TenGigabitEthernet1/0/25	Disregard
TenGigabitEthernet1/0/26	Disregard
TenGigabitEthernet1/0/27	Disregard
TenGigabitEthernet1/0/28	Disregard
TenGigabitEthernet1/0/29	Disregard
TenGigabitEthernet1/0/30	Disregard
TenGigabitEthernet1/0/31	Disregard
TenGigabitEthernet1/0/32	Disregard
TenGigabitEthernet1/0/33	Disregard
TenGigabitEthernet1/0/34	Disregard
TenGigabitEthernet1/0/35	Disregard
TenGigabitEthernet1/0/36	Disregard
TenGigabitEthernet1/0/37	Disregard
TenGigabitEthernet1/0/38	Disregard

Interface	Action
TenGigabitEthernet1/0/39	Disregard
TenGigabitEthernet1/0/40	Disregard
TenGigabitEthernet1/0/41	Disregard
TenGigabitEthernet1/0/42	Disregard
TenGigabitEthernet1/0/43	Disregard
TenGigabitEthernet1/0/44	Disregard
TenGigabitEthernet1/0/45	Disregard
TenGigabitEthernet1/0/46	Disregard
TenGigabitEthernet1/0/47	Disregard
TenGigabitEthernet1/0/48	Disregard

Table 5: C9500-12Q with Breakout Cables

Interface	Action
FortyGigabitEthernet1/0/1	Disregard
FortyGigabitEthernet1/0/2	Disregard
FortyGigabitEthernet1/0/3	Disregard
FortyGigabitEthernet1/0/4	Disregard
FortyGigabitEthernet1/0/5	Disregard
FortyGigabitEthernet1/0/6	Disregard
FortyGigabitEthernet1/0/7	Disregard
FortyGigabitEthernet1/0/8	Disregard
FortyGigabitEthernet1/0/9	Disregard
FortyGigabitEthernet1/0/10	Disregard
FortyGigabitEthernet1/0/11	Disregard
FortyGigabitEthernet1/0/12	Disregard
TenGigabitEthernet1/0/1	Configure this interface, if 4x10G breakout is configured using the hw-module breakout module module-num port port-num switch switch-num command.

Interface	Action
TenGigabitEthernet1/0/2	Configure this interface, if 4x10G breakout is configured using the hw-module breakout module module-num port port-num switch switch-num command.
TenGigabitEthernet1/0/3	Configure this interface, if 4x10G breakout is configured using the hw-module breakout module module-num port port-num switch switch-num command.
TenGigabitEthernet1/0/4	Configure this interface, if 4x10G breakout is configured using the hw-module breakout module module-num port port-num switch switch-num command.
TenGigabitEthernet1/0/5	Configure this interface, if 4x10G breakout is configured using the hw-module breakout module module-num port port-num switch switch-num command.
TenGigabitEthernet1/0/6	Configure this interface, if 4x10G breakout is configured using the hw-module breakout module module-num port port-num switch switch-num command.
TenGigabitEthernet1/0/7	Configure this interface, if 4x10G breakout is configured using the hw-module breakout module module-num port port-num switch switch-num command.
TenGigabitEthernet1/0/8	Configure this interface, if 4x10G breakout is configured using the hw-module breakout module module-num port port-num switch switch-num command.
TenGigabitEthernet1/0/9	Configure this interface, if 4x10G breakout is configured using the hw-module breakout module module-num port port-num switch switch-num command.
TenGigabitEthernet1/0/10	Configure this interface, if 4x10G breakout is configured using the hw-module breakout module module-num port port-num switch switch-num command.
TenGigabitEthernet1/0/11	Configure this interface, if 4x10G breakout is configured using the hw-module breakout module module-num port port-num switch switch-num command.

Interface	Action
TenGigabitEthernet1/0/12	Configure this interface, if 4x10G breakout is configured using the hw-module breakout module module-num port port-num switch switch-num command.
TenGigabitEthernet1/0/13	Configure this interface, if 4x10G breakout is configured using the hw-module breakout module module-num port port-num switch switch-num command.
TenGigabitEthernet1/0/14	Configure this interface, if 4x10G breakout is configured using the hw-module breakout module module-num port port-num switch switch-num command.
TenGigabitEthernet1/0/15	Configure this interface, if 4x10G breakout is configured using the hw-module breakout module module-num port port-num switch switch-num command.
TenGigabitEthernet1/0/16	Configure this interface, if 4x10G breakout is configured using the hw-module breakout module module-num port port-num switch switch-num command.
TenGigabitEthernet1/0/17	Configure this interface, if 4x10G breakout is configured using the hw-module breakout module module-num port port-num switch switch-num command.
TenGigabitEthernet1/0/18	Configure this interface, if 4x10G breakout is configured using the hw-module breakout module module-num port port-num switch switch-num command.
TenGigabitEthernet1/0/19	Configure this interface, if 4x10G breakout is configured using the hw-module breakout module module-num port port-num switch switch-num command.
TenGigabitEthernet1/0/20	Configure this interface, if 4x10G breakout is configured using the hw-module breakout module module-num port port-num switch switch-num command.
TenGigabitEthernet1/0/21	Configure this interface, if 4x10G breakout is configured using the hw-module breakout module module-num port port-num switch switch-num command.

Interface	Action
TenGigabitEthernet1/0/22	Configure this interface, if 4x10G breakout is configured using the hw-module breakout module module-num port port-num switch switch-num command.
TenGigabitEthernet1/0/23	Configure this interface, if 4x10G breakout is configured using the hw-module breakout module module-num port port-num switch switch-num command.
TenGigabitEthernet1/0/24	Configure this interface, if 4x10G breakout is configured using the hw-module breakout module module-num port port-num switch switch-num command.
TenGigabitEthernet1/0/25	Configure this interface, if 4x10G breakout is configured using the hw-module breakout module module-num port port-num switch switch-num command.
TenGigabitEthernet1/0/26	Configure this interface, if 4x10G breakout is configured using the hw-module breakout module module-num port port-num switch switch-num command.
TenGigabitEthernet1/0/27	Configure this interface, if 4x10G breakout is configured using the hw-module breakout module module-num port port-num switch switch-num command.
TenGigabitEthernet1/0/28	Configure this interface, if 4x10G breakout is configured using the hw-module breakout module module-num port port-num switch switch-num command.
TenGigabitEthernet1/0/29	Configure this interface, if 4x10G breakout is configured using the hw-module breakout module module-num port port-num switch switch-num command.
TenGigabitEthernet1/0/30	Configure this interface, if 4x10G breakout is configured using the hw-module breakout module module-num port port-num switch switch-num command.
TenGigabitEthernet1/0/31	Configure this interface, if 4x10G breakout is configured using the hw-module breakout module module-num port port-num switch switch-num command.

Interface	Action
TenGigabitEthernet1/0/32	Configure this interface, if 4x10G breakout is configured using the hw-module breakout module module-num port port-num switch switch-num command.
TenGigabitEthernet1/0/33	Configure this interface, if 4x10G breakout is configured using the hw-module breakout module module-num port port-num switch switch-num command.
TenGigabitEthernet1/0/34	Configure this interface, if 4x10G breakout is configured using the hw-module breakout module module-num port port-num switch switch-num command.
TenGigabitEthernet1/0/35	Configure this interface, if 4x10G breakout is configured using the hw-module breakout module module-num port port-num switch switch-num command.
TenGigabitEthernet1/0/36	Configure this interface, if 4x10G breakout is configured using the hw-module breakout module module-num port port-num switch switch-num command.
TenGigabitEthernet1/0/37	Configure this interface, if 4x10G breakout is configured using the hw-module breakout module module-num port port-num switch switch-num command.
TenGigabitEthernet1/0/38	Configure this interface, if 4x10G breakout is configured using the hw-module breakout module module-num port port-num switch switch-num command.
TenGigabitEthernet1/0/39	Configure this interface, if 4x10G breakout is configured using the hw-module breakout module module-num port port-num switch switch-num command.
TenGigabitEthernet1/0/40	Configure this interface, if 4x10G breakout is configured using the hw-module breakout module module-num port port-num switch switch-num command.
TenGigabitEthernet1/0/41	Configure this interface, if 4x10G breakout is configured using the hw-module breakout module module-num port port-num switch switch-num command.

Interface	Action
TenGigabitEthernet1/0/42	Configure this interface, if 4x10G breakout is configured using the hw-module breakout module module-num port port-num switch switch-num command.
TenGigabitEthernet1/0/43	Configure this interface, if 4x10G breakout is configured using the hw-module breakout module module-num port port-num switch switch-num command.
TenGigabitEthernet1/0/44	Configure this interface, if 4x10G breakout is configured using the hw-module breakout module module-num port port-num switch switch-num command.
TenGigabitEthernet1/0/45	Configure this interface, if 4x10G breakout is configured using the hw-module breakout module module-num port port-num switch switch-num command.
TenGigabitEthernet1/0/46	Configure this interface, if 4x10G breakout is configured using the hw-module breakout module module-num port port-num switch switch-num command.
TenGigabitEthernet1/0/47	Configure this interface, if 4x10G breakout is configured using the hw-module breakout module module-num port port-num switch switch-num command.
TenGigabitEthernet1/0/48	Configure this interface, if 4x10G breakout is configured using the hw-module breakout module module-num port port-num switch switch-num command.

C9500-24Q

The default port connections on the C9500-24Q switch model depends on whether you use a 40G QSFP module or a dual mode breakout cable.

- If you use a 40G QSFP module, the ports default to 40G interfaces.
- If you use a dual mode breakout cable, you can either configure a 40G port or four 10G ports by using the **hw-module breakout module module-num port port-num switch switch-num** command to switch between the 40G straight mode and 4x10G breakout mode, where *module-num* is 1, *port-num* varies from 1 to 24 and *switch-num* is the switch number in the stack which varies from 1 to 8.
- You can use a combination of 40G QSFP modules and 4x10G breakout cables.
- For a 40G port — **FortyGigabitEthernet 1/0/port-num**, the corresponding starting port in every set of the four 10G breakout ports is **TenGigabitEthernet 1/0/4xport-num-3**, where *port-num* is the port

number. For example, the starting port in the first set of 10G breakout ports is TenGigabitEthernet1/0/1, the starting port in the second set of 10G starting breakout ports is TenGigabitEthernet1/0/5 and so on.

The following tables list all the interfaces which are configurable depending on the type of module and cable used. Note that the **show interface status** command displays all the interfaces in the active state.

- In [Table 6: C9500-24Q with only 40G QSFP Modules](#) in all the 24 ports, the 10G interfaces are displayed but are not active.
- In [Table 7: C9500-24Q with Breakout Cables](#), both the 10G and 40G interfaces are displayed but only 10G interfaces from TenGigabitEthernet1/0/1 through TenGigabitEthernet1/0/96 are active and only 40G interfaces from FortyGigabitEthernet1/0/1 through FortyGigabitEthernet1/0/24 are not active.

Table 6: C9500-24Q with only 40G QSFP Modules

Interface	Action
FortyGigabitEthernet1/0/1	Configure this interface
FortyGigabitEthernet1/0/2	Configure this interface
FortyGigabitEthernet1/0/3	Configure this interface
FortyGigabitEthernet1/0/4	Configure this interface
FortyGigabitEthernet1/0/5	Configure this interface
FortyGigabitEthernet1/0/6	Configure this interface
FortyGigabitEthernet1/0/7	Configure this interface
FortyGigabitEthernet1/0/8	Configure this interface
FortyGigabitEthernet1/0/9	Configure this interface
FortyGigabitEthernet1/0/10	Configure this interface
FortyGigabitEthernet1/0/11	Configure this interface
FortyGigabitEthernet1/0/12	Configure this interface
FortyGigabitEthernet1/0/13	Configure this interface
FortyGigabitEthernet1/0/14	Configure this interface
FortyGigabitEthernet1/0/15	Configure this interface
FortyGigabitEthernet1/0/16	Configure this interface
FortyGigabitEthernet1/0/17	Configure this interface
FortyGigabitEthernet1/0/18	Configure this interface
FortyGigabitEthernet1/0/19	Configure this interface
FortyGigabitEthernet1/0/20	Configure this interface

Interface	Action
FortyGigabitEthernet1/0/21	Configure this interface
FortyGigabitEthernet1/0/22	Configure this interface
FortyGigabitEthernet1/0/23	Configure this interface
FortyGigabitEthernet1/0/24	Configure this interface
TenGigabitEthernet1/0/1	Disregard
TenGigabitEthernet1/0/2	Disregard
TenGigabitEthernet1/0/3	Disregard
TenGigabitEthernet1/0/4	Disregard
TenGigabitEthernet1/0/5	Disregard
TenGigabitEthernet1/0/6	Disregard
TenGigabitEthernet1/0/7	Disregard
TenGigabitEthernet1/0/8	Disregard
TenGigabitEthernet1/0/9	Disregard
TenGigabitEthernet1/0/10	Disregard
TenGigabitEthernet1/0/11	Disregard
TenGigabitEthernet1/0/12	Disregard
TenGigabitEthernet1/0/13	Disregard
TenGigabitEthernet1/0/14	Disregard
TenGigabitEthernet1/0/15	Disregard
TenGigabitEthernet1/0/16	Disregard
TenGigabitEthernet1/0/17	Disregard
TenGigabitEthernet1/0/18	Disregard
TenGigabitEthernet1/0/19	Disregard
TenGigabitEthernet1/0/20	Disregard
TenGigabitEthernet1/0/21	Disregard
TenGigabitEthernet1/0/22	Disregard
TenGigabitEthernet1/0/23	Disregard
TenGigabitEthernet1/0/24	Disregard

Interface	Action
TenGigabitEthernet1/0/25	Disregard
TenGigabitEthernet1/0/26	Disregard
TenGigabitEthernet1/0/27	Disregard
TenGigabitEthernet1/0/28	Disregard
TenGigabitEthernet1/0/29	Disregard
TenGigabitEthernet1/0/30	Disregard
TenGigabitEthernet1//31	Disregard
TenGigabitEthernet1/0/32	Disregard
TenGigabitEthernet1/0/33	Disregard
TenGigabitEthernet1/0/34	Disregard
TenGigabitEthernet1/0/35	Disregard
TenGigabitEthernet1/0/36	Disregard
TenGigabitEthernet1/0/37	Disregard
TenGigabitEthernet1/0/38	Disregard
TenGigabitEthernet1/0/39	Disregard
TenGigabitEthernet1/0/40	Disregard
TenGigabitEthernet1/0/41	Disregard
TenGigabitEthernet1/0/42	Disregard
TenGigabitEthernet1/0/43	Disregard
TenGigabitEthernet1/0/44	Disregard
TenGigabitEthernet1/0/45	Disregard
TenGigabitEthernet1/0/46	Disregard
TenGigabitEthernet1/0/47	Disregard
TenGigabitEthernet1/0/48	Disregard
TenGigabitEthernet1/0/49	Disregard
TenGigabitEthernet1/0/50	Disregard
TenGigabitEthernet1/0/51	Disregard
TenGigabitEthernet1/0/52	Disregard

Interface	Action
TenGigabitEthernet1/0/53	Disregard
TenGigabitEthernet1/0/54	Disregard
TenGigabitEthernet1/0/55	Disregard
TenGigabitEthernet1/0/56	Disregard
TenGigabitEthernet1/0/57	Disregard
TenGigabitEthernet1/0/58	Disregard
TenGigabitEthernet1/0/59	Disregard
TenGigabitEthernet1/0/60	Disregard
TenGigabitEthernet1/0/61	Disregard
TenGigabitEthernet1/0/62	Disregard
TenGigabitEthernet1/0/63	Disregard
TenGigabitEthernet1/0/64	Disregard
TenGigabitEthernet1/0/65	Disregard
TenGigabitEthernet1/0/66	Disregard
TenGigabitEthernet1/0/67	Disregard
TenGigabitEthernet1/0/68	Disregard
TenGigabitEthernet1/0/69	Disregard
TenGigabitEthernet1/0/70	Disregard
TenGigabitEthernet1/0/71	Disregard
TenGigabitEthernet1/0/72	Disregard
TenGigabitEthernet1/0/73	Disregard
TenGigabitEthernet1/0/74	Disregard
TenGigabitEthernet1/0/75	Disregard
TenGigabitEthernet1/0/76	Disregard
TenGigabitEthernet1/0/77	Disregard
TenGigabitEthernet1/0/78	Disregard
TenGigabitEthernet1/0/79	Disregard
TenGigabitEthernet1/0/80	Disregard

Interface	Action
TenGigabitEthernet1/0/81	Disregard
TenGigabitEthernet1/0/82	Disregard
TenGigabitEthernet1/0/83	Disregard
TenGigabitEthernet1/0/84	Disregard
TenGigabitEthernet1/0/85	Disregard
TenGigabitEthernet1/0/86	Disregard
TenGigabitEthernet1/0/87	Disregard
TenGigabitEthernet1/0/88	Disregard
TenGigabitEthernet1/0/89	Disregard
TenGigabitEthernet1/0/90	Disregard
TenGigabitEthernet1/0/91	Disregard
TenGigabitEthernet1/0/92	Disregard
TenGigabitEthernet1/0/93	Disregard
TenGigabitEthernet1/0/94	Disregard
TenGigabitEthernet1/0/95	Disregard
TenGigabitEthernet1/0/96	Disregard

Table 7: C9500-24Q with Breakout Cables

Interface	Action
FortyGigabitEthernet1/0/1	Disregard
FortyGigabitEthernet1/0/2	Disregard
FortyGigabitEthernet1/0/3	Disregard
FortyGigabitEthernet1/0/4	Disregard
FortyGigabitEthernet1/0/5	Disregard
FortyGigabitEthernet1/0/6	Disregard
FortyGigabitEthernet1/0/7	Disregard
FortyGigabitEthernet1/0/8	Disregard
FortyGigabitEthernet1/0/9	Disregard

Interface	Action
FortyGigabitEthernet1/0/10	Disregard
FortyGigabitEthernet1/0/11	Disregard
FortyGigabitEthernet1/0/12	Disregard
FortyGigabitEthernet1/0/13	Disregard
FortyGigabitEthernet1/0/14	Disregard
FortyGigabitEthernet1/0/15	Disregard
FortyGigabitEthernet1/0/16	Disregard
FortyGigabitEthernet1/0/17	Disregard
FortyGigabitEthernet1/0/18	Disregard
FortyGigabitEthernet1/0/19	Disregard
FortyGigabitEthernet1/0/20	Disregard
FortyGigabitEthernet1/0/21	Disregard
FortyGigabitEthernet1/0/22	Disregard
FortyGigabitEthernet1/0/23	Disregard
FortyGigabitEthernet1/0/24	Disregard
TenGigabitEthernet1/0/1	Configure this interface, if 4x10G breakout is configured using the hw-module breakout module module-num port port-num switch switch-num command.
TenGigabitEthernet1/0/2	Configure this interface, if 4x10G breakout is configured using the hw-module breakout module module-num port port-num switch switch-num command.
TenGigabitEthernet1/0/3	Configure this interface, if 4x10G breakout is configured using the hw-module breakout module module-num port port-num switch switch-num command.
TenGigabitEthernet1/0/4	Configure this interface, if 4x10G breakout is configured using the hw-module breakout module module-num port port-num switch switch-num command.

Interface	Action
TenGigabitEthernet1/0/5	Configure this interface, if 4x10G breakout is configured using the hw-module breakout module module-num port port-num switch switch-num command.
TenGigabitEthernet1/0/6	Configure this interface, if 4x10G breakout is configured using the hw-module breakout module module-num port port-num switch switch-num command.
TenGigabitEthernet1/0/7	Configure this interface, if 4x10G breakout is configured using the hw-module breakout module module-num port port-num switch switch-num command.
TenGigabitEthernet1/0/8	Configure this interface, if 4x10G breakout is configured using the hw-module breakout module module-num port port-num switch switch-num command.
TenGigabitEthernet1/0/9	Configure this interface, if 4x10G breakout is configured using the hw-module breakout module module-num port port-num switch switch-num command.
TenGigabitEthernet1/0/10	Configure this interface, if 4x10G breakout is configured using the hw-module breakout module module-num port port-num switch switch-num command.
TenGigabitEthernet1/0/11	Configure this interface, if 4x10G breakout is configured using the hw-module breakout module module-num port port-num switch switch-num command.
TenGigabitEthernet1/0/12	Configure this interface, if 4x10G breakout is configured using the hw-module breakout module module-num port port-num switch switch-num command.
TenGigabitEthernet1/0/13	Configure this interface, if 4x10G breakout is configured using the hw-module breakout module module-num port port-num switch switch-num command.
TenGigabitEthernet1/0/14	Configure this interface, if 4x10G breakout is configured using the hw-module breakout module module-num port port-num switch switch-num command.

Interface	Action
TenGigabitEthernet1/0/15	Configure this interface, if 4x10G breakout is configured using the hw-module breakout module module-num port port-num switch switch-num command.
TenGigabitEthernet1/0/16	Configure this interface, if 4x10G breakout is configured using the hw-module breakout module module-num port port-num switch switch-num command.
TenGigabitEthernet1/0/17	Configure this interface, if 4x10G breakout is configured using the hw-module breakout module module-num port port-num switch switch-num command.
TenGigabitEthernet1/0/18	Configure this interface, if 4x10G breakout is configured using the hw-module breakout module module-num port port-num switch switch-num command.
TenGigabitEthernet1/0/19	Configure this interface, if 4x10G breakout is configured using the hw-module breakout module module-num port port-num switch switch-num command.
TenGigabitEthernet1/0/20	Configure this interface, if 4x10G breakout is configured using the hw-module breakout module module-num port port-num switch switch-num command.
TenGigabitEthernet1/0/21	Configure this interface, if 4x10G breakout is configured using the hw-module breakout module module-num port port-num switch switch-num command.
TenGigabitEthernet1/0/22	Configure this interface, if 4x10G breakout is configured using the hw-module breakout module module-num port port-num switch switch-num command.
TenGigabitEthernet1/0/23	Configure this interface, if 4x10G breakout is configured using the hw-module breakout module module-num port port-num switch switch-num command.
TenGigabitEthernet1/0/24	Configure this interface, if 4x10G breakout is configured using the hw-module breakout module module-num port port-num switch switch-num command.

Interface	Action
TenGigabitEthernet1/0/25	Configure this interface, if 4x10G breakout is configured using the hw-module breakout module module-num port port-num switch switch-num command.
TenGigabitEthernet1/0/26	Configure this interface, if 4x10G breakout is configured using the hw-module breakout module module-num port port-num switch switch-num command.
TenGigabitEthernet1/0/27	Configure this interface, if 4x10G breakout is configured using the hw-module breakout module module-num port port-num switch switch-num command.
TenGigabitEthernet1/0/28	Configure this interface, if 4x10G breakout is configured using the hw-module breakout module module-num port port-num switch switch-num command.
TenGigabitEthernet1/0/29	Configure this interface, if 4x10G breakout is configured using the hw-module breakout module module-num port port-num switch switch-num command.
TenGigabitEthernet1/0/30	Configure this interface, if 4x10G breakout is configured using the hw-module breakout module module-num port port-num switch switch-num command.
TenGigabitEthernet1/0/31	Configure this interface, if 4x10G breakout is configured using the hw-module breakout module module-num port port-num switch switch-num command.
TenGigabitEthernet1/0/32	Configure this interface, if 4x10G breakout is configured using the hw-module breakout module module-num port port-num switch switch-num command.
TenGigabitEthernet1/0/33	Configure this interface, if 4x10G breakout is configured using the hw-module breakout module module-num port port-num switch switch-num command.
TenGigabitEthernet1/0/34	Configure this interface, if 4x10G breakout is configured using the hw-module breakout module module-num port port-num switch switch-num command.

Interface	Action
TenGigabitEthernet1/0/35	Configure this interface, if 4x10G breakout is configured using the hw-module breakout module module-num port port-num switch switch-num command.
TenGigabitEthernet1/0/36	Configure this interface, if 4x10G breakout is configured using the hw-module breakout module module-num port port-num switch switch-num command.
TenGigabitEthernet1/0/37	Configure this interface, if 4x10G breakout is configured using the hw-module breakout module module-num port port-num switch switch-num command.
TenGigabitEthernet1/0/38	Configure this interface, if 4x10G breakout is configured using the hw-module breakout module module-num port port-num switch switch-num command.
TenGigabitEthernet1/0/39	Configure this interface, if 4x10G breakout is configured using the hw-module breakout module module-num port port-num switch switch-num command.
TenGigabitEthernet1/0/40	Configure this interface, if 4x10G breakout is configured using the hw-module breakout module module-num port port-num switch switch-num command.
TenGigabitEthernet1/0/41	Configure this interface, if 4x10G breakout is configured using the hw-module breakout module module-num port port-num switch switch-num command.
TenGigabitEthernet1/0/42	Configure this interface, if 4x10G breakout is configured using the hw-module breakout module module-num port port-num switch switch-num command.
TenGigabitEthernet1/0/43	Configure this interface, if 4x10G breakout is configured using the hw-module breakout module module-num port port-num switch switch-num command.
TenGigabitEthernet1/0/44	Configure this interface, if 4x10G breakout is configured using the hw-module breakout module module-num port port-num switch switch-num command.

Interface	Action
TenGigabitEthernet1/0/45	Configure this interface, if 4x10G breakout is configured using the hw-module breakout module module-num port port-num switch switch-num command.
TenGigabitEthernet1/0/46	Configure this interface, if 4x10G breakout is configured using the hw-module breakout module module-num port port-num switch switch-num command.
TenGigabitEthernet1/0/47	Configure this interface, if 4x10G breakout is configured using the hw-module breakout module module-num port port-num switch switch-num command.
TenGigabitEthernet1/0/48	Configure this interface, if 4x10G breakout is configured using the hw-module breakout module module-num port port-num switch switch-num command.
TenGigabitEthernet1/0/49	Configure this interface, if 4x10G breakout is configured using the hw-module breakout module module-num port port-num switch switch-num command.
TenGigabitEthernet1/0/50	Configure this interface, if 4x10G breakout is configured using the hw-module breakout module module-num port port-num switch switch-num command.
TenGigabitEthernet1/0/51	Configure this interface, if 4x10G breakout is configured using the hw-module breakout module module-num port port-num switch switch-num command.
TenGigabitEthernet1/0/52	Configure this interface, if 4x10G breakout is configured using the hw-module breakout module module-num port port-num switch switch-num command.
TenGigabitEthernet1/0/53	Configure this interface, if 4x10G breakout is configured using the hw-module breakout module module-num port port-num switch switch-num command.
TenGigabitEthernet1/0/54	Configure this interface, if 4x10G breakout is configured using the hw-module breakout module module-num port port-num switch switch-num command.

Interface	Action
TenGigabitEthernet1/0/55	Configure this interface, if 4x10G breakout is configured using the hw-module breakout module module-num port port-num switch switch-num command.
TenGigabitEthernet1/0/56	Configure this interface, if 4x10G breakout is configured using the hw-module breakout module module-num port port-num switch switch-num command.
TenGigabitEthernet1/0/57	Configure this interface, if 4x10G breakout is configured using the hw-module breakout module module-num port port-num switch switch-num command.
TenGigabitEthernet1/0/58	Configure this interface, if 4x10G breakout is configured using the hw-module breakout module module-num port port-num switch switch-num command.
TenGigabitEthernet1/0/59	Configure this interface, if 4x10G breakout is configured using the hw-module breakout module module-num port port-num switch switch-num command.
TenGigabitEthernet1/0/60	Configure this interface, if 4x10G breakout is configured using the hw-module breakout module module-num port port-num switch switch-num command.
TenGigabitEthernet1/0/61	Configure this interface, if 4x10G breakout is configured using the hw-module breakout module module-num port port-num switch switch-num command.
TenGigabitEthernet1/0/62	Configure this interface, if 4x10G breakout is configured using the hw-module breakout module module-num port port-num switch switch-num command.
TenGigabitEthernet1/0/63	Configure this interface, if 4x10G breakout is configured using the hw-module breakout module module-num port port-num switch switch-num command.
TenGigabitEthernet1/0/64	Configure this interface, if 4x10G breakout is configured using the hw-module breakout module module-num port port-num switch switch-num command.

Interface	Action
TenGigabitEthernet1/0/65	Configure this interface, if 4x10G breakout is configured using the hw-module breakout module module-num port port-num switch switch-num command.
TenGigabitEthernet1/0/66	Configure this interface, if 4x10G breakout is configured using the hw-module breakout module module-num port port-num switch switch-num command.
TenGigabitEthernet1/0/67	Configure this interface, if 4x10G breakout is configured using the hw-module breakout module module-num port port-num switch switch-num command.
TenGigabitEthernet1/0/68	Configure this interface, if 4x10G breakout is configured using the hw-module breakout module module-num port port-num switch switch-num command.
TenGigabitEthernet1/0/69	Configure this interface, if 4x10G breakout is configured using the hw-module breakout module module-num port port-num switch switch-num command.
TenGigabitEthernet1/0/70	Configure this interface, if 4x10G breakout is configured using the hw-module breakout module module-num port port-num switch switch-num command.
TenGigabitEthernet1/0/71	Configure this interface, if 4x10G breakout is configured using the hw-module breakout module module-num port port-num switch switch-num command.
TenGigabitEthernet1/0/72	Configure this interface, if 4x10G breakout is configured using the hw-module breakout module module-num port port-num switch switch-num command.
TenGigabitEthernet1/0/73	Configure this interface, if 4x10G breakout is configured using the hw-module breakout module module-num port port-num switch switch-num command.
TenGigabitEthernet1/0/74	Configure this interface, if 4x10G breakout is configured using the hw-module breakout module module-num port port-num switch switch-num command.

Interface	Action
TenGigabitEthernet1/0/75	Configure this interface, if 4x10G breakout is configured using the hw-module breakout module module-num port port-num switch switch-num command.
TenGigabitEthernet1/0/76	Configure this interface, if 4x10G breakout is configured using the hw-module breakout module module-num port port-num switch switch-num command.
TenGigabitEthernet1/0/77	Configure this interface, if 4x10G breakout is configured using the hw-module breakout module module-num port port-num switch switch-num command.
TenGigabitEthernet1/0/78	Configure this interface, if 4x10G breakout is configured using the hw-module breakout module module-num port port-num switch switch-num command.
TenGigabitEthernet1/0/79	Configure this interface, if 4x10G breakout is configured using the hw-module breakout module module-num port port-num switch switch-num command.
TenGigabitEthernet1/0/80	Configure this interface, if 4x10G breakout is configured using the hw-module breakout module module-num port port-num switch switch-num command.
TenGigabitEthernet1/0/81	Configure this interface, if 4x10G breakout is configured using the hw-module breakout module module-num port port-num switch switch-num command.
TenGigabitEthernet1/0/82	Configure this interface, if 4x10G breakout is configured using the hw-module breakout module module-num port port-num switch switch-num command.
TenGigabitEthernet1/0/83	Configure this interface, if 4x10G breakout is configured using the hw-module breakout module module-num port port-num switch switch-num command.
TenGigabitEthernet1/0/84	Configure this interface, if 4x10G breakout is configured using the hw-module breakout module module-num port port-num switch switch-num command.

Interface	Action
TenGigabitEthernet1/0/85	Configure this interface, if 4x10G breakout is configured using the hw-module breakout module module-num port port-num switch switch-num command.
TenGigabitEthernet1/0/86	Configure this interface, if 4x10G breakout is configured using the hw-module breakout module module-num port port-num switch switch-num command.
TenGigabitEthernet1/0/87	Configure this interface, if 4x10G breakout is configured using the hw-module breakout module module-num port port-num switch switch-num command.
TenGigabitEthernet1/0/88	Configure this interface, if 4x10G breakout is configured using the hw-module breakout module module-num port port-num switch switch-num command.
TenGigabitEthernet1/0/89	Configure this interface, if 4x10G breakout is configured using the hw-module breakout module module-num port port-num switch switch-num command.
TenGigabitEthernet1/0/90	Configure this interface, if 4x10G breakout is configured using the hw-module breakout module module-num port port-num switch switch-num command.
TenGigabitEthernet1/0/91	Configure this interface, if 4x10G breakout is configured using the hw-module breakout module module-num port port-num switch switch-num command.
TenGigabitEthernet1/0/92	Configure this interface, if 4x10G breakout is configured using the hw-module breakout module module-num port port-num switch switch-num command.
TenGigabitEthernet1/0/93	Configure this interface, if 4x10G breakout is configured using the hw-module breakout module module-num port port-num switch switch-num command.
TenGigabitEthernet1/0/94	Configure this interface, if 4x10G breakout is configured using the hw-module breakout module module-num port port-num switch switch-num command.

Interface	Action
TenGigabitEthernet1/0/95	Configure this interface, if 4x10G breakout is configured using the hw-module breakout module module-num port port-num switch switch-num command.
TenGigabitEthernet1/0/96	Configure this interface, if 4x10G breakout is configured using the hw-module breakout module module-num port port-num switch switch-num command.

C9500-32C

The default port connections on the C9500-32C switch model depends on whether you use a 40G QSFP module, a 100G QSFP28 module, a breakout cable or a dual mode breakout cable. You can use a combination of 40G QSFP modules, 100G QSFP28 modules and the 4x10G and 4x25G breakout cables. All the interfaces on C9500-32C switch model are named as HundredGigabitEthernet1/0/*port-num* irrespective of the module inserted into the ports — 40G QSFP module or 100G QSFP28 module.

If you use a dual mode breakout cable, you can either configure a 40G port or four 10G ports by using the **hw-module breakout module module-num port port-num switch switch-num** command to switch between the 40G straight mode and 4x10G breakout mode.

Enabling breakout on C9500-32C with Cisco StackWise Virtual

To enable breakout on a port, use the **hw-module switch switch-num breakout port port-number** command where *switch-num* varies between 1 and 2 and *port-number* varies from 1 and 32. Use the no form of this command to disable breakout on a port.

To enable breakout on all the supported breakout ports, use the **hw-module switch switch-num breakout port port-range** command where *switch-num* varies between 1 and 2 and *port-range* varies from 1 to 32. Use the no form of this command to disable breakout on all the supported ports.

Enabling breakout on C9500-32C without Cisco StackWise Virtual (Standalone Mode)

To enable breakout on a port, use the **hw-module breakout port port-number** command. Use the no form of this command to disable breakout on a port.

To enable breakout on all the supported breakout ports, use the **hw-module breakout port port-range** command where *port-range* is 1-32. Use the no form of this command to disable breakout on all the supported ports.

The following table lists all the interfaces which are configurable depending on the type of module or breakout cable used. Breakout of port 2 (40G) and port 7 (100G) is shown in the table below.

- A 4x10G breakout cable is inserted into port number 2. Breakout is enabled using the command **hw-module breakout 2**. Port number 2 — Hu1/0/2 — is split into four 10G ports — Hu1/0/2/1, Hu1/0/2/2, Hu1/0/2/3 and Hu1/0/2/4.
- A 4x25G breakout cable is inserted into port number 7. Breakout is enabled using the command **hw-module breakout 7**. Port number 7 — Hu1/0/7 — is split into four 25G ports — Hu1/0/7/1, Hu1/0/7/2, Hu1/0/7/3 and Hu1/0/7/4.

Table 8: C9500-32C with 40G QSFP modules, 100G QSFP28 modules and Breakout Cables

Interface	Action
HundredGigabitEthernet1/0/1	Configure this interface
HundredGigabitEthernet1/0/2	Disregard Note Although visible in the CLI, this port is inactive as 4x10G breakout is enabled on this port.
HundredGigabitEthernet1/0/3	Configure this interface
HundredGigabitEthernet1/0/4	Configure this interface
HundredGigabitEthernet1/0/5	Configure this interface
HundredGigabitEthernet1/0/6	Configure this interface
HundredGigabitEthernet1/0/7	Disregard Note Although visible in the CLI, this port is inactive as 4x25G breakout is enabled on this port.
HundredGigabitEthernet1/0/8	Configure this interface
HundredGigabitEthernet1/0/9	Configure this interface
HundredGigabitEthernet1/0/10	Configure this interface
HundredGigabitEthernet1/0/11	Configure this interface
HundredGigabitEthernet1/0/12	Configure this interface
HundredGigabitEthernet1/0/13	Configure this interface
HundredGigabitEthernet1/0/14	Configure this interface
HundredGigabitEthernet1/0/15	Configure this interface
HundredGigabitEthernet1/0/16	Configure this interface
HundredGigabitEthernet1/0/17	Configure this interface
HundredGigabitEthernet1/0/18	Configure this interface
HundredGigabitEthernet1/0/19	Configure this interface
HundredGigabitEthernet1/0/20	Configure this interface
HundredGigabitEthernet1/0/21	Configure this interface
HundredGigabitEthernet1/0/22	Configure this interface

Interface	Action
HundredGigabitEthernet1/0/23	Configure this interface
HundredGigabitEthernet1/0/24	Configure this interface
HundredGigabitEthernet1/0/23	Configure this interface
HundredGigabitEthernet1/0/24	Configure this interface
HundredGigabitEthernet1/0/25	Configure this interface
HundredGigabitEthernet1/0/26	Configure this interface
HundredGigabitEthernet1/0/27	Configure this interface
HundredGigabitEthernet1/0/28	Configure this interface
HundredGigabitEthernet1/0/29	Configure this interface
HundredGigabitEthernet1/0/30	Configure this interface
HundredGigabitEthernet1/0/31	Configure this interface
HundredGigabitEthernet1/0/32	Configure this interface
HundredGigabitEthernet1/0/2/1	Configure this interface
HundredGigabitEthernet1/0/2/2	Configure this interface
HundredGigabitEthernet1/0/2/3	Configure this interface
HundredGigabitEthernet1/0/2/4	Configure this interface
HundredGigabitEthernet1/0/7/1	Configure this interface
HundredGigabitEthernet1/0/7/2	Configure this interface
HundredGigabitEthernet1/0/7/3	Configure this interface
HundredGigabitEthernet1/0/7/4	Configure this interface

C9500X-28C8D

Enabling breakout on C9500X-28C8D without Cisco StackWise Virtual (Standalone Mode)

To enable breakout on a port, use the **hw-module breakout port** *port-number* command. Use the no form of this command to disable breakout on a port.

To enable breakout on all the supported breakout ports, use the **hw-module breakout port** *port-range* command where *port-range* is 1-36. Use the no form of this command to disable breakout on all the supported ports.

The following table lists all the interfaces which are configurable depending on the type of module or breakout cable used. Breakout of port 1 (40G) and port 7 (100G) is shown in the table below.

- A 4x10G breakout cable is inserted into port number 1. Breakout is enabled using the command **hw-module breakout 1**. Port number 1 — Hu1/0/1 — is split into four 10G ports — Hu1/0/1/1, Hu1/0/1/2, Hu1/0/1/3 and Hu1/0/1/4.
- A 4x25G breakout cable is inserted into port number 7. Breakout is enabled using the command **hw-module breakout 7**. Port number 7 — Hu1/0/7 — is split into four 25G ports — Hu1/0/7/1, Hu1/0/7/2, Hu1/0/7/3 and Hu1/0/7/4.
- A 4x100G breakout cable is inserted into port number 15. Breakout is enabled using the command **hw-module breakout 15**. Port number 15 — Fou1/0/15 — is split into four 100G ports — Fou1/0/15/1, Fou1/0/15/2, Fou1/0/15/3 and Fou1/0/15/4.
- A 2x100G breakout cable is inserted into port number 22. Breakout is enabled using the command **hw-module breakout 22**. Port number 22 — Fou1/0/22 — is split into two 100G ports — Fou1/0/22/1 and Fou1/0/22/2.

Table 9: 9500X-28C8D with 40G QSFP modules, 100G QSFP28 modules and Breakout Cables

Interface	Action
HundredGigabitEthernet1/0/1	Configure this interface Note Although visible in the CLI, this port is inactive as 4x10G breakout is enabled on this port.
HundredGigabitEthernet1/0/2	Disregard
HundredGigabitEthernet1/0/3	Configure this interface
HundredGigabitEthernet1/0/4	Disregard
HundredGigabitEthernet1/0/5	Configure this interface
HundredGigabitEthernet1/0/6	Disregard
HundredGigabitEthernet1/0/7	Configure this interface Note Although visible in the CLI, this port is inactive as 4x25G breakout is enabled on this port.
HundredGigabitEthernet1/0/8	Disregard
HundredGigabitEthernet1/0/9	Configure this interface
HundredGigabitEthernet1/0/10	Disregard
HundredGigabitEthernet1/0/11	Configure this interface
HundredGigabitEthernet1/0/12	Disregard
HundredGigabitEthernet1/0/13	Configure this interface
HundredGigabitEthernet1/0/14	Disregard

Interface	Action
FourHundredGigE1/0/15	Configure this interface
FourHundredGigE1/0/16	Configure this interface
FourHundredGigE1/0/17	Configure this interface
FourHundredGigE1/0/18	Configure this interface
FourHundredGigE1/0/19	Configure this interface
FourHundredGigE1/0/20	Configure this interface
FourHundredGigE1/0/21	Configure this interface
FourHundredGigE1/0/22	Configure this interface
HundredGigabitEthernet1/0/23	Configure this interface
HundredGigabitEthernet1/0/24	Disregard
HundredGigabitEthernet1/0/23	Configure this interface
HundredGigabitEthernet1/0/24	Disregard
HundredGigabitEthernet1/0/25	Configure this interface
HundredGigabitEthernet1/0/26	Disregard
HundredGigabitEthernet1/0/27	Configure this interface
HundredGigabitEthernet1/0/28	Disregard
HundredGigabitEthernet1/0/29	Configure this interface
HundredGigabitEthernet1/0/30	Disregard
HundredGigabitEthernet1/0/31	Configure this interface
HundredGigabitEthernet1/0/32	Disregard
HundredGigabitEthernet1/0/33	Configure this interface
HundredGigabitEthernet1/0/34	Disregard
HundredGigabitEthernet1/0/35	Configure this interface
HundredGigabitEthernet1/0/36	Disregard

C9500X-60L4D

Enabling breakout on C9500X-60L4D without Cisco StackWise Virtual (Standalone Mode)

To enable breakout on a port, use the **hw-module breakout** *port-number* command. Use the no form of this command to disable breakout on a port.

To enable breakout on all the supported breakout ports, use the **hw-module breakout range** *port-range* command where *port-range* is 31-34. Use the no form of this command to disable breakout on all the supported ports.

The following table lists all the interfaces which are configurable depending on the type of module or breakout cable used. Breakout of port 31 (40G) and port 32 (100G) is shown in the table below.

- A 4x10G breakout cable is inserted into port number 31. Breakout is enabled using the command **hw-module breakout 31**. Port number 31—FourHundredGig1/0/31—is split into four 10G ports — FourHundredGig1/0/31/1, FourHundredGig1/0/31/2, FourHundredGig1/0/31/3, and FourHundredGig1/0/31/4.
- A 4x25G breakout cable is inserted into port number 32. Breakout is enabled using the command **hw-module breakout 32**. Port number 32 — FourHundredGig1/hw-module breakout 0/32—is split into four 25G ports — FourHundredGig1/0/32/1, FourHundredGig1/0/32/2, FourHundredGig1/0/32/3, and FourHundredGig1/0/32/4.
- A 2x100G breakout cable is inserted into port number 33. Breakout is enabled using the command **hw-module breakout 33**. Port number 33 — FourHundredGig1/0/33 — is split into two 100G ports — FourHundredGig1/0/33/1 and FourHundredGig1/0/33/2.
- A 4x100G breakout cable is inserted into port number 34. Breakout is enabled using the command **hw-module breakout 34**. Port number 34 — FourHundredGig1/0/34 — is split into four 100G ports — FourHundredGig1/0/34/1, FourHundredGig1/0/34/2, FourHundredGig1/0/34/3 and FourHundredGig1/0/34/4.

Table 10: 9500X-60L4D with 400G QSFP modules and Breakout Cables

Interface	Action
FourHundredGig1/0/31	Configure this interface
FourHundredGig1/0/32	Configure this interface
FourHundredGig1/0/33	Configure this interface
FourHundredGig1/0/34	Configure this interface

Configuring Forty Gigabit Ethernet Interface

Follow these steps to configure the forty gigabit ethernet interface. Use the no form of the command to disable the fortygigabit ethernet interface.

Procedure

	Command or Action	Purpose
Step 1	enable Example: Device> enable	Enables privileged EXEC mode. <ul style="list-style-type: none"> • Enter your password if prompted.

	Command or Action	Purpose
Step 2	configure terminal Example: Device# <code>configure terminal</code>	Enters global configuration mode.
Step 3	interface <i>interface-id</i> Example: Device(config)# <code>interface fortygigabitethernet1/0/9</code> Device(config-if)#	Specifies the interface type, that has to be configured.
Step 4	end Example: Device(config)# <code>end</code>	Returns to privileged EXEC mode.

Configuring Hundred Gigabit Ethernet Interface

Follow these steps to configure a hundred gigabit ethernet interface. Use the **no** form of the command to disable a hundred gigabit ethernet interface.

Procedure

	Command or Action	Purpose
Step 1	enable Example: Device> <code>enable</code>	Enables privileged EXEC mode. <ul style="list-style-type: none"> • Enter your password if prompted.
Step 2	configure terminal Example: Device# <code>configure terminal</code>	Enters global configuration mode.
Step 3	interface <i>interface-type interface-id</i> Example: Device(config)# <code>interface HundredGigabitEthernet1/0/9</code>	Specifies the interface that is to be configured.
Step 4	enable Example: Device(config-if)# <code>enable</code>	Enables the hundred gigabit ethernet interface. Use no enable command to disable the hundred gigabit ethernet interface.

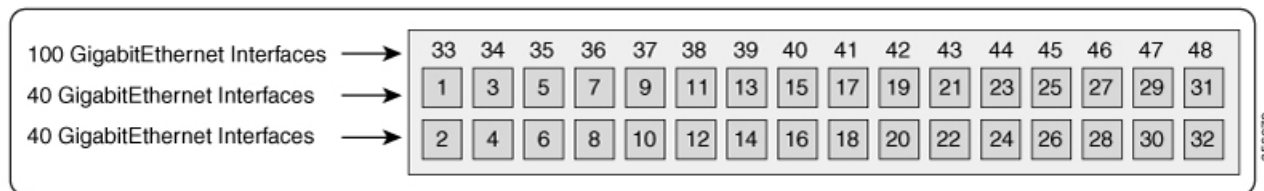
Configuring Hundred GigabitEthernet Interfaces on C9500-32QC

C9500-32QC switch model support port speed of 40G and 100G depending on the QSFP module inserted into the port. The native port numbering and interface configuration on this model is explained below:

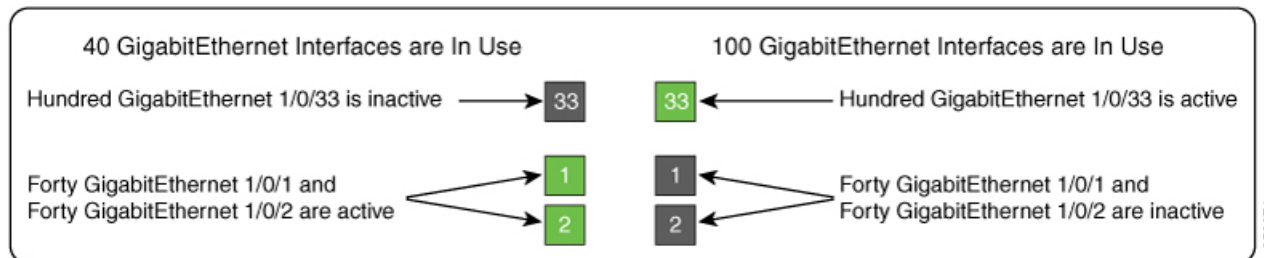
- C9500-32QC: The 40G ports on this switch can be configured to function as 100G ports using the CLI. To enable the 100 GigabitEthernet interfaces, you need to use the CLI.

Interfaces on C9500-32QC

Figure 2: Default Interfaces on C9500-32QC



Insert the 100G QSFP28 module only in the odd-numbered ports (1 to 31) on the upper row. When you insert the 100G QSFP28 module, the corresponding odd-numbered 40G port from the upper row and the even-numbered 40G port from the lower row become inactive when you enter **enable** command on the CLI.



The default status of the 40 GigabitEthernet and 100 GigabitEthernet interfaces is as below:

- Port numbers 1 to 24 are active as 40 GigabitEthernet interfaces, by default. The corresponding 100 GigabitEthernet interfaces for these ports become inactive. To enable the 100 GigabitEthernet interfaces - 33 to 44, use the **enable** command on the 40 GigabitEthernet interface.
- Port numbers 25 to 32 are active as 100 GigabitEthernet interfaces, by default. The corresponding 40 GigabitEthernet interfaces for these ports become inactive. To enable the 40 GigabitEthernet interfaces on these ports - 25 to 32, use the **no enable** command on the 100 GigabitEthernet interface.

The port mapping for 100GigabitEthernet interfaces is shown in the table below:

Table 11: Port mapping for 100 GigabitEthernet interfaces

40 GigabitEthernet Ports/Interfaces	100 GigabitEthernet Interfaces
Port number 1 and 2 (FortyGigabitEthernet 1/0/1 and FortyGigabitEthernet 1/0/2)	HundredGigabitEthernet 1/0/33

40 GigabitEthernet Ports/Interfaces	100 GigabitEthernet Interfaces
Port number 3 and 4 (FortyGigabitEthernet 1/0/3 and FortyGigabitEthernet 1/0/4)	HundredGigabitEthernet 1/0/34
Port number 5 and 6 (FortyGigabitEthernet 1/0/5 and FortyGigabitEthernet 1/0/6)	HundredGigabitEthernet 1/0/35
Port number 7 and 8 (FortyGigabitEthernet 1/0/7 and FortyGigabitEthernet 1/0/8)	HundredGigabitEthernet 1/0/36
Port number 9 and 10 (FortyGigabitEthernet 1/0/9 and FortyGigabitEthernet 1/0/10)	HundredGigabitEthernet 1/0/37
Port number 11 and 12 (FortyGigabitEthernet 1/0/11 and FortyGigabitEthernet 1/0/12)	HundredGigabitEthernet 1/0/38
Port number 13 and 14 (FortyGigabitEthernet 1/0/13 and FortyGigabitEthernet 1/0/14)	HundredGigabitEthernet 1/0/39
Port number 15 and 16 (FortyGigabitEthernet 1/0/15 and FortyGigabitEthernet 1/0/16)	HundredGigabitEthernet 1/0/40
Port number 17 and 18 (FortyGigabitEthernet 1/0/17 and FortyGigabitEthernet 1/0/18)	HundredGigabitEthernet 1/0/41
Port number 19 and 20 (FortyGigabitEthernet 1/0/19 and FortyGigabitEthernet 1/0/20)	HundredGigabitEthernet 1/0/42
Port number 21 and 22 (FortyGigabitEthernet 1/0/21 and FortyGigabitEthernet 1/0/22)	HundredGigabitEthernet 1/0/43
Port number 23 and 24 (FortyGigabitEthernet 1/0/23 and FortyGigabitEthernet 1/0/24)	HundredGigabitEthernet 1/0/44

40 GigabitEthernet Ports/Interfaces	100 GigabitEthernet Interfaces
Port number 25 and 26 (FortyGigabitEthernet 1/0/25 and FortyGigabitEthernet 1/0/26)	HundredGigabitEthernet 1/0/45
Port number 27 and 28 (FortyGigabitEthernet 1/0/27 and FortyGigabitEthernet 1/0/28)	HundredGigabitEthernet 1/0/46
Port number 29 and 30 (FortyGigabitEthernet 1/0/29 and FortyGigabitEthernet 1/0/30)	HundredGigabitEthernet 1/0/47
Port number 31 and 32 (FortyGigabitEthernet 1/0/31 and FortyGigabitEthernet 1/0/32)	HundredGigabitEthernet 1/0/48

Configuring the IEEE 802.3x Flow Control

Follow these steps to configure the IEEE 802.3x flow control.

Procedure

	Command or Action	Purpose
Step 1	enable Example: Device> enable	Enables privileged EXEC mode. Enter your password, if prompted.
Step 2	configure terminal Example: Device# configure terminal	Enters global configuration mode
Step 3	interface <i>interface-id</i> Example: Device(config)# interface fortygigabitethernet1/0/1	Specifies the physical interface to be configured, and enters interface configuration mode.
Step 4	flowcontrol {receive} {on off desired} Example: Device(config-if)# flowcontrol receive on	Configures the flow control mode for the port.

	Command or Action	Purpose
Step 5	end Example: Device(config-if)# end	Returns to privileged EXEC mode.
Step 6	show flowcontrol interface <i>interface-id</i> Example: Device# show flowcontrol interface GigabitEthernet1/0/1	Verifies the specified interface flow control settings.
Step 7	show flowcontrol module <i>slot</i> Example: Device# show flowcontrol module 1	Verifies the interface flow control settings on the module.
Step 8	copy running-config startup-config Example: Device# copy running-config startup-config	(Optional) Saves your entries in the configuration file.

Configuring a Layer 3 Interface

Follow these steps to configure a layer 3 interface.

Procedure

	Command or Action	Purpose
Step 1	enable Example: Device> enable	Enables privileged EXEC mode. Enter your password, if prompted.
Step 2	configure terminal Example: Device# configure terminal	Enters global configuration mode.
Step 3	interface {fortygigabitethernet <i>interface-id</i> {vlan <i>vlan-id</i>} {port-channel <i>port-channel-number</i>} Example: Device(config)# interface fortygigabitethernet1/0/2	Specifies the interface to be configured as a Layer 3 interface, and enters interface configuration mode.

	Command or Action	Purpose
Step 4	no switchport Example: Device(config-if)# no switchport	(For physical ports only) Enters Layer 3 mode.
Step 5	ip address <i>ip_address subnet_mask</i> Example: Device(config-if)# ip address 192.20.135.21 255.255.255.0	Configures the IP address and IP subnet.
Step 6	no shutdown Example: Device(config-if)# no shutdown	Enables the interface.
Step 7	end Example: Device(config-if)# end	Returns to privileged EXEC mode.
Step 8	show interfaces [<i>interface-id</i>]	Verifies the configuration.
Step 9	copy running-config startup-config Example: Device# copy running-config startup-config	(Optional) Saves your entries in the configuration file.

Configuring a Logical Layer 3 GRE Tunnel Interface

Before you begin

Generic Routing Encapsulation (GRE) is a tunneling protocol used to encapsulate network layer protocols inside virtual point-to-point links. A GRE tunnel only provides encapsulation and not encryption.



- Note**
- GRE tunnels are supported on the hardware on Cisco Catalyst 9000 switches. When GRE is configured without tunnel options, packets are hardware-switched. When GRE is configured with tunnel options (such as key, checksum, and so on), packets are switched in the software. A maximum of 1000 GRE tunnels are supported.
 - Other features such as Access Control Lists (ACL) and Quality of Service (QoS) are not supported for the GRE tunnels.
 - The **tunnel path-mtu-discovery** command is not supported for GRE tunnels. To avoid fragmentation, you can set the maximum transmission unit (MTU) of both ends of the GRE tunnel to the lowest value by using the **ip mtu 256** command.

To configure a GRE tunnel, perform this task:

Procedure

	Command or Action	Purpose
Step 1	enable Example: Device> enable	Enables privileged EXEC mode. Enter your password, if prompted.
Step 2	configure terminal Example: Device# configure terminal	Enters global configuration mode.
Step 3	interface tunnel <i>number</i> Example: Device(config)# interface tunnel 2	Enables tunneling on the interface.
Step 4	ip address <i>ip_address subnet_mask</i> Example: Device(config)# ip address 100.1.1.1 255.255.255.0	Configures the IP address and IP subnet.
Step 5	tunnel source {<i>ip_address</i> <i>type_number</i>} Example: Device(config)# tunnel source 10.10.10.1	Configures the tunnel source.
Step 6	tunnel destination {<i>host_name</i> <i>ip_address</i>} Example: Device(config)# tunnel destination 10.10.10.2	Configures the tunnel destination.
Step 7	tunnel mode gre ip Example:	Configures the tunnel mode.

	Command or Action	Purpose
	Device(config)# tunnel mode gre ip	
Step 8	end Example: Device(config)# end	Exits configuration mode.

Configuring SVI Autostate Exclude

Follow these steps to exclude SVI autostate.

Procedure

	Command or Action	Purpose
Step 1	enable Example: Device> enable	Enables privileged EXEC mode. Enter your password, if prompted.
Step 2	configure terminal Example: Device# configure terminal	Enters global configuration mode.
Step 3	interface <i>interface-id</i> Example: Device(config)# interface fortygigabitethernet1/0/2	Specifies a Layer 2 interface (physical port or port channel), and enters interface configuration mode.
Step 4	switchport autostate exclude Example: Device(config-if)# switchport autostate exclude	Excludes the access or trunk port when defining the status of an SVI line state (up or down)
Step 5	end Example: Device(config-if)# end	Returns to privileged EXEC mode.
Step 6	show running config interface <i>interface-id</i> Example: Device# show running config interface fortygigabitethernet1/0/2	(Optional) Shows the running configuration. Verifies the configuration.

	Command or Action	Purpose
Step 7	copy running-config startup-config Example: <pre>Device# copy running-config startup-config</pre>	(Optional) Saves your entries in the configuration file.

Shutting Down and Restarting an Interface

Shutting down an interface disables all functions on the specified interface and marks the interface as unavailable on all monitoring command displays. This information is communicated to other network servers through all dynamic routing protocols. The interface is not mentioned in any routing updates.

Procedure

	Command or Action	Purpose
Step 1	enable Example: <pre>Device> enable</pre>	Enables privileged EXEC mode. Enter your password, if prompted.
Step 2	configure terminal Example: <pre>Device# configure terminal</pre>	Enters global configuration mode.
Step 3	interface {vlan <i>vlan-id</i>} { fortygigabitethernet <i>interface-id</i>} {port-channel <i>port-channel-number</i>} Example: <pre>Device(config)# interface fortygigabitethernet1/0/2</pre>	Selects the interface to be configured.
Step 4	shutdown Example: <pre>Device(config-if)# shutdown</pre>	Shuts down an interface.
Step 5	no shutdown Example: <pre>Device(config-if)# no shutdown</pre>	Restarts an interface.
Step 6	end Example:	Returns to privileged EXEC mode.

	Command or Action	Purpose
	Device(config-if) # end	
Step 7	show running-config Example: Device# show running-config	Verifies your entries.

Configuring the Console Media Type

Follow these steps to set the console media type to RJ-45. If you configure the console as RJ-45, USB console operation is disabled, and input comes only through the RJ-45 connector.

Procedure

	Command or Action	Purpose
Step 1	enable Example: Device> enable	Enables privileged EXEC mode. Enter your password, if prompted.
Step 2	configure terminal Example: Device# configure terminal	Enters global configuration mode.
Step 3	line console 0 Example: Device(config)# line console 0	Configures the console and enters line configuration mode.
Step 4	media-type rj45 switch <i>switch_number</i> Example: Device(config-line)# media-type rj45 switch 1	Configures the console media type to be only RJ-45 port. If you do not enter this command and both types are connected, the USB port is used by default.
Step 5	end Example: Device(config)# end	Returns to privileged EXEC mode.
Step 6	copy running-config startup-config Example: Device# copy running-config startup-config	(Optional) Saves your entries in the configuration file.

Configuring USB Inactivity Timeout

The configurable inactivity timeout reactivates the RJ-45 console port if the USB console port is activated but no input activity occurs on it for a specified time period. When the USB console port is deactivated due to a timeout, you can restore its operation by disconnecting and reconnecting the USB cable.

Procedure

	Command or Action	Purpose
Step 1	enable Example: Device> enable	Enables privileged EXEC mode. Enter your password, if prompted.
Step 2	configure terminal Example: Device# configure terminal	Enters global configuration mode.
Step 3	line console 0 Example: Device(config)# line console 0	Configures the console and enters line configuration mode.
Step 4	usb-inactivity-timeout switch <i>switch_number</i> <i>timeout-minutes</i> Example: Device(config-line)# usb-inactivity-timeout switch 1 30	Specifies an inactivity timeout for the console port. The range is 1 to 240 minutes. The default is to have no timeout configured.
Step 5	copy running-config startup-config Example: Device# copy running-config startup-config	(Optional) Saves your entries in the configuration file.

Disabling USB Ports

To disable all USB ports, perform this procedure.

Procedure

	Command or Action	Purpose
Step 1	enable Example:	Enables privileged EXEC mode. Enter your password, if prompted.

	Command or Action	Purpose
	Device> enable	
Step 2	configure terminal Example: Device# configure terminal	Enters global configuration mode.
Step 3	[no] platform usb disable Example: Device(config)# platform usb disable	Disables all the USB ports on the device. Use the no platform usb disable command to reenab the USB ports.
Step 4	exit Example: Device(config)# exit	Exits to privileged EXEC mode.
Step 5	copy running-config startup-config Example: Device# copy running-config startup-config	(Optional) Saves your entries in the configuration file.

Monitoring Interface Characteristics

The following sections provide information about monitoring interface characteristics.

Monitoring Interface Status

Commands entered at the privileged EXEC prompt display information about the interface, including the versions of the software and the hardware, the configuration, and statistics about the interfaces.

Table 12: show Commands for Interfaces

Command	Purpose
show interfaces <i>interface-id</i> status [err-disabled]	Displays interface status or a list of interfaces in the error-disabled state.
show interfaces [<i>interface-id</i>] switchport	Displays administrative and operational status of switching (nonrouting) ports. You can use this command to find out if a port is in routing or in switching mode.
show interfaces [<i>interface-id</i>] description	Displays the description configured on an interface or all interfaces and the interface status.
show ip interface [<i>interface-id</i>]	Displays the usability status of all interfaces configured for IP routing or the specified interface.

Command	Purpose
show interface [<i>interface-id</i>] stats	Displays the input and output packets by the switching path for the interface.
show interface [<i>interface-id</i>] link [module number]	Displays the up time and down time of an interface or all interfaces.
show interfaces <i>interface-id</i>	(Optional) Displays speed and duplex on the interface.
show interfaces transceiver dom-supported-list Note This command is not supported on the Cisco Catalyst 9500 Series Switches - High Performance.	(Optional) Displays Digital Optical Monitoring (DOM) status on the connect SFP modules.
show interfaces transceiver properties	(Optional) Displays temperature, voltage, or amount of current on the interface.
show interfaces [<i>interface-id</i>] [{transceiver properties detail}] <i>module number</i>	Displays physical and operational status about an SFP module.
show running-config interface [<i>interface-id</i>]	Displays the running configuration in RAM for the interface.
show version	Displays the hardware configuration, software version, the names and sources of configuration files, and the boot images.
show controllers ethernet-controller <i>interface-id</i> phy	Displays the operational state of the auto-MDIX feature on the interface.

Clearing and Resetting Interfaces and Counters

Table 13: clear Commands for Interfaces

Command	Purpose
clear counters [<i>interface-id</i>]	Clears interface counters.
clear interface <i>interface-id</i>	Resets the hardware logic on an interface.
clear line [<i>number</i> console 0 vtty number]	Resets the hardware logic on an asynchronous serial line.



Note The **clear counters** privileged EXEC command does not clear counters retrieved by using Simple Network Management Protocol (SNMP), but only those seen with the **show interface** privileged EXEC command.

Configuration Examples for Interface Characteristics

The following sections provide examples of interface characteristics configurations.

Example: Adding a Description to an Interface

The following example shows how to add a description to an interface:

```
Device# configure terminal
Enter configuration commands, one per line. End with CNTRL/Z.
Device(config)# interface fortygigabitethernet1/0/2
Device(config-if)# description Connects to Marketing
Device(config-if)# end
Device# show interfaces fortygigabitethernet1/0/2 description

Interface Status      Protocol Description
Fol/0/1    down        down        Connects to Marketing
```

Example: Configuring a Range of Interfaces

The following example shows how to use the **interface range** global configuration command to shut down ports 1 to 2 on switch 1:

```
Device# configure terminal
Device(config)# interface range fortyGigabitEthernet 1/0/1-2
Device(config-if-range)# shut
```



Note If you enter multiple configuration commands while you are in interface-range mode, each command is executed as it is entered. The commands are not batched and executed after you exit interface-range mode. If you exit interface-range configuration mode while the commands are being executed, some commands might not be executed on all interfaces in the range. Wait until the command prompt reappears before exiting interface-range configuration mode.

Example: Configuring and Using Interface Range Macros

The following example shows how to define an interface-range named *enet_list* to include ports 1 and 2 on switch 1 and to verify the macro configuration:

```
Device# configure terminal
Device(config)# define interface-range enet_list fortyGigabitEthernet 1/0/1 - 2
Device(config)# end
Device# show running-config | include define
define interface-range enet_list FortyGigabitEthernet1/0/1
```

The following example shows how to enter interface-range configuration mode for the interface-range macro *enet_list*:

```
Device# configure terminal
```

```
Device(config)# interface range macro enet_list
Device(config-if-range)#
```

The following example shows how to delete the interface-range macro *enet_list* and to verify that it was deleted:

```
Device# configure terminal
Device(config)# no define interface-range enet_list
Device(config)# end
Device# show run | include define
Device#
```

Example: Configuring a Layer 3 Interface

The following example shows how to configure a Layer 3 interface:

```
Device# configure terminal
Enter configuration commands, one per line. End with CNTL/Z.
Device(config)# interface fortygigabitethernet1/0/2
Device(config-if)# no switchport
Device(config-if)# ip address 192.20.135.21 255.255.255.0
Device(config-if)# no shutdown
```

Example: Configuring 40G and 100G on C9500-32QC

The following example shows how to enable interface HundredGigabitEthernet 1/0/40. When you enable the interface HundredGigabitEthernet 1/0/40, the corresponding FortyGigabitEthernet 1/0/15 and FortyGigabitEthernet 1/0/16 interfaces, become inactive.

```
Device# configure terminal
Device(config)# interface HundredGigabitEthernet 1/0/40
Device(config-if)# enable
Device(config-if)# end
```

The following example shows how to enable interface FortyGigabitEthernet 1/0/25. When you disable the interface HundredGigabitEthernet 1/0/45, the corresponding FortyGigabitEthernet 1/0/25 and FortyGigabitEthernet 1/0/26 interfaces, become active.

```
Device# configure terminal
Device(config)# interface HundredGigabitEthernet 1/0/45
Device(config-if)# no enable
Device(config-if)# end
```

The following is sample output of all the 40 GigabitEthernet and 100 GigabitEthernet interfaces on C9500-32QC.

```
Device# show interface status
```

Port	Name	Status	Vlan	Duplex	Speed	Type
Fo1/0/1	40G AOC10M	notconnect	routed	full	40G	QSFP
Fo1/0/2	40G CU3M	notconnect	routed	full	40G	QSFP
Fo1/0/3	100G CU3M	notconnect	routed	full	100G	QSFP
Fo1/0/4		notconnect	routed	full	40G	QSFP

```

40G CU5M
Fo1/0/5          notconnect  routed      full  100G QSFP
100G CU3M
Fo1/0/6          notconnect  routed      full  40G QSFP
40G AOC2M
Fo1/0/7          notconnect  routed      full  100G QSFP
100G CU3M
Fo1/0/8          notconnect  routed      full  40G QSFP
40G CR4 SFP
Fo1/0/9          notconnect  routed      full  100G QSFP
100G CU3M
Fo1/0/10         notconnect  routed      auto  auto unknown
Fo1/0/11         notconnect  routed      full  100G QSFP
100G CU3M
Fo1/0/12         notconnect  routed      auto  auto unknown
Fo1/0/13         notconnect  routed      full  100G QSFP
100G CU3M

```

Port	Name	Status	Vlan	Duplex	Speed	Type
Fo1/0/14		notconnect	routed	auto	auto	unknown
Fo1/0/15		notconnect	routed	full	100G	QSFP
100G CU3M						
Fo1/0/16		notconnect	routed	auto	auto	unknown
Fo1/0/17		notconnect	routed	full	40G	QSFP
40G AOC10M						
Fo1/0/18		notconnect	routed	auto	auto	unknown
Fo1/0/19		notconnect	routed	full	40G	QSFP
40G AOC3M						
Fo1/0/20		notconnect	routed	auto	auto	unknown
Fo1/0/21		notconnect	routed	auto	auto	unknown
Fo1/0/22		notconnect	routed	full	40G	QSFP
40G CR4 SFP						
Fo1/0/23		notconnect	routed	full	40G	QSFP
40G CR4 SFP						
Fo1/0/24		notconnect	routed	full	40G	QSFP
40G CR4 SFP						
Fo1/0/25		inactive	routed	auto	auto	unknown
Fo1/0/26		inactive	routed	auto	auto	unknown
Fo1/0/27		inactive	routed	auto	auto	unknown
Fo1/0/28		inactive	routed	full	40G	QSFP
40G CR4 SFP						
Fo1/0/29		inactive	routed	auto	auto	unknown

Port	Name	Status	Vlan	Duplex	Speed	Type
Fo1/0/30		inactive	routed	auto	auto	unknown
Fo1/0/31		inactive	routed	auto	auto	unknown
Fo1/0/32		inactive	routed	full	40G	QSFP
40G CR4 SFP						
Hu1/0/33		inactive	routed	auto	auto	unknown
Hu1/0/34		inactive	routed	auto	auto	unknown
Hu1/0/35		inactive	routed	auto	auto	unknown


```

Hu1/0/36                inactive    routed      auto    auto unknown
Hu1/0/37                inactive    routed      auto    auto unknown
Hu1/0/38                inactive    routed      auto    auto unknown
Hu1/0/39                inactive    routed      auto    auto unknown
Hu1/0/40                inactive    routed      auto    auto unknown
Hu1/0/41                inactive    routed      auto    auto unknown
Hu1/0/42                inactive    routed      auto    auto unknown
Hu1/0/43                inactive    routed      auto    auto unknown
Hu1/0/44                inactive    routed      auto    auto unknown
Hu1/0/45                notconnect routed      full    40G QSFP
40G CU3M
Hu1/0/46                connected  routed      full    100G QSFP
100G CU3M
Hu1/0/47                connected  routed      full    100G QSFP
100G CU3M
Hu1/0/48                connected  routed      full    100G QSFP
100G CU3M
    
```

Example: Configuring a Breakout Interface

Catalyst 9500 Series Switches

The following example shows a sample output of the **show interface status** command with dual mode 40G QSFP module inserted into port number 2 of the C9500-24Q switch model:

Device# **show interface status**

```

Port      Name          Status      Vlan      Duplex  Speed Type
Fo2/0/1   Name          notconnect  1         auto    auto unknown
Fo2/0/2   Name          notconnect  1         full    40G QSFP 40G SR4 SFP
Fo2/0/3   Name          notconnect  1         auto    auto unknown
Fo2/0/4   Name          notconnect  1         auto    auto unknown
Fo2/0/5   Name          notconnect  1         auto    auto unknown
Fo2/0/6   Name          notconnect  1         auto    auto unknown
Fo2/0/7   Name          notconnect  1         auto    auto unknown
Fo2/0/8   Name          notconnect  1         auto    auto unknown
Fo2/0/9   Name          notconnect  1         auto    auto unknown
Fo2/0/10  Name          notconnect  1         auto    auto unknown
Fo2/0/11  Name          notconnect  1         auto    auto unknown
Fo2/0/12  Name          notconnect  1         auto    auto unknown
Fo2/0/13  Name          notconnect  1         auto    auto unknown
Fo2/0/14  Name          notconnect  1         auto    auto unknown
Fo2/0/15  Name          notconnect  1         auto    auto unknown
Fo2/0/16  Name          notconnect  1         auto    auto unknown
Fo2/0/17  Name          notconnect  1         auto    auto unknown
Fo2/0/18  Name          notconnect  1         auto    auto unknown
Fo2/0/19  Name          notconnect  1         auto    auto unknown
Fo2/0/20  Name          notconnect  1         auto    auto unknown
Fo2/0/21  Name          notconnect  1         auto    auto unknown
Fo2/0/22  Name          notconnect  1         auto    auto unknown
Fo2/0/23  Name          notconnect  1         auto    auto unknown
Fo2/0/24  Name          notconnect  1         auto    auto unknown
    
```

.....

 (Output truncated)

Example: Configuring a Breakout Interface

The following example shows a sample output of the **show interface status** command when 40G QSFP module inserted in port number 2 is removed and 4x10G breakout cable is inserted into port number 2 after using the command **hw-mod breakout module 1 port 2 switch 2**. Port number 2 — Fo2/0/2 — is split into four 10G ports — Te2/0/5, Te2/0/6, Te2/0/7 and Te2/0/8.

```
Device# configure terminal
Device(config)# hw-mod breakout module 1 port 2 switch 2
Device(config)#

*May 17 21:35:26.003 UTC: %PLATFORM_PM-6-MODULE_REMOVED: SFP module with interface name
Fo2/0/2 removed
*May 17 21:35:27.399 UTC: %PLATFORM_PM-6-FRULINK_REMOVED: 1x40G Port2 uplink module removed
  from switch 2 slot 1
*May 17 21:35:27.899 UTC: %PLATFORM_PM-6-FRULINK_INSERTED: BC:4x10G Port2 uplink module
inserted in the switch 2 slot 1
*May 17 21:35:29.399 UTC: %LINK-3-UPDOWN: Interface FortyGigabitEthernet2/0/2, changed state
to down
*May 17 21:35:31.181 UTC: %PLATFORM_PM-6-MODULE_INSERTED: SFP module inserted with interface
name Te2/0/5
*May 17 21:35:33.414 UTC: %PLATFORM_PM-6-MODULE_INSERTED: SFP module inserted with interface
name Te2/0/6
*May 17 21:35:35.648 UTC: %PLATFORM_PM-6-MODULE_INSERTED: SFP module inserted with interface
name Te2/0/7
*May 17 21:35:37.881 UTC: %PLATFORM_PM-6-MODULE_INSERTED: SFP module inserted with interface
name Te2/0/8
*May 17 21:35:42.234 UTC: %LINK-3-UPDOWN: Interface TenGigabitEthernet2/0/5, changed state
to up
*May 17 21:35:43.234 UTC: %LINEPROTO-5-UPDOWN: Line protocol on Interface
TenGigabitEthernet2/0/5, changed state to up
*May 17 21:35:51.460 UTC: %LINK-3-UPDOWN: Interface TenGigabitEthernet2/0/6, changed state
to up
*May 17 21:35:51.506 UTC: %LINK-3-UPDOWN: Interface TenGigabitEthernet2/0/7, changed state
to up
*May 17 21:35:51.551 UTC: %LINK-3-UPDOWN: Interface TenGigabitEthernet2/0/8, changed state
to up
*May 17 21:35:52.286 UTC: %LINEPROTO-5-UPDOWN: Line protocol on Interface Vlan1, changed
state to up
*May 17 21:35:52.461 UTC: %LINEPROTO-5-UPDOWN: Line protocol on Interface
TenGigabitEthernet2/0/6, changed state to up
*May 17 21:35:52.505 UTC: %LINEPROTO-5-UPDOWN: Line protocol on Interface
TenGigabitEthernet2/0/7, changed state to up
*May 17 21:35:52.551 UTC: %LINEPROTO-5-UPDOWN: Line protocol on Interface
TenGigabitEthernet2/0/8, changed state to up
Device(config)# end
```

```
Device# show interface status
```

Port	Name	Status	Vlan	Duplex	Speed	Type
Fo2/0/1		notconnect	1	auto	auto	unknown
Fo2/0/3		notconnect	1	auto	auto	unknown
Fo2/0/4		notconnect	1	auto	auto	unknown
Fo2/0/5		notconnect	1	auto	auto	unknown
Fo2/0/6		notconnect	1	auto	auto	unknown
Fo2/0/7		notconnect	1	auto	auto	unknown
Fo2/0/8		notconnect	1	auto	auto	unknown
Fo2/0/9		notconnect	1	auto	auto	unknown
Fo2/0/10		notconnect	1	auto	auto	unknown
Fo2/0/11		notconnect	1	auto	auto	unknown
Fo2/0/12		notconnect	1	auto	auto	unknown
Fo2/0/13		notconnect	1	auto	auto	unknown
Fo2/0/14		notconnect	1	auto	auto	unknown
Fo2/0/15		notconnect	1	auto	auto	unknown
Fo2/0/16		notconnect	1	auto	auto	unknown

```

Fo2/0/17                notconnect 1          auto   auto unknown
Fo2/0/18                notconnect 1          auto   auto unknown
Fo2/0/19                notconnect 1          auto   auto unknown
Fo2/0/20                notconnect 1          auto   auto unknown
Fo2/0/21                notconnect 1          auto   auto unknown
Fo2/0/22                notconnect 1          auto   auto unknown
Fo2/0/23                notconnect 1          auto   auto unknown
Fo2/0/24                notconnect 1          auto   auto unknown
.....
..... (Output truncated) .....
Te2/0/5                 connected 1          full   10G
Te2/0/6                 connected 1          full   10G
Te2/0/7                 connected 1          full   10G QSFP 40G SR4 SFP
Te2/0/8                 connected 1          full   10G
.....
..... (Output truncated) .....

```

Catalyst 9500 Series Switches - High Performance

The following example shows a sample output of the **show interface status** command after enabling breakout on port 1 with 4x10G breakout cable inserted on port 7 with 4x25G breakout cable inserted using the **hw-module breakout port-num** command of the C9500-32C switch model:

- Port number 1 — Hu1/0/1 — is split into four 10G ports — Hu1/0/1/1, Hu1/0/1/2, Hu1/0/1/3 and Hu1/0/1/4.
- Port number 7 — Hu1/0/7 — is split into four 25G ports — Hu1/0/7/1, Hu1/0/7/2, Hu1/0/7/3 and Hu1/0/7/4.

Device# **show interface status**

Port	Name	Status	Vlan	Duplex	Speed	Type
Hu1/0/1		inactive	1	full	40G	unknown
Hu1/0/2		notconnect	1	full	40G	unknown
Hu1/0/3		notconnect	1	full	40G	unknown
Hu1/0/4		notconnect	1	auto	auto	unknown
Hu1/0/5		notconnect	1	full	40G	unknown
Hu1/0/6		notconnect	1	full	40G	unknown
Hu1/0/7		inactive	1	full	100G	unknown
Hu1/0/8		connected	111	full	100G	QSFP 100G CUIM
Hu1/0/9		notconnect	1	full	40G	unknown
Hu1/0/10		notconnect	1	full	40G	unknown
Hu1/0/11		notconnect	1	full	40G	unknown
Hu1/0/12		notconnect	1	auto	auto	unknown
Hu1/0/13		notconnect	1	full	100G	unknown
Hu1/0/14		notconnect	1	full	40G	unknown
Hu1/0/15		notconnect	1	full	40G	unknown
Hu1/0/16		notconnect	1	auto	auto	unknown
Hu1/0/17		notconnect	1	full	100G	unknown
Hu1/0/18		notconnect	1	full	40G	unknown
Hu1/0/19		notconnect	1	full	40G	QSFP 4SFP10G
CU5M						
Hu1/0/20		connected	48	full	100G	QSFP 100G AOC10M
Hu1/0/21		notconnect	1	full	40G	unknown
Hu1/0/22		notconnect	1	full	40G	unknown
Hu1/0/23		notconnect	1	full	40G	unknown
Hu1/0/24		notconnect	1	auto	auto	unknown
Hu1/0/25		notconnect	1	full	40G	unknown
Hu1/0/26		notconnect	1	full	40G	unknown
Hu1/0/27		notconnect	1	full	40G	QSFP 4SFP10G

Example: Configuring a Breakout Interface

```

CU4M
Hu1/0/28          connected      112          full    100G  QSFP 100G CU3M
Hu1/0/29          notconnect    1            full    40G   unknown
Hu1/0/30          notconnect    1            full    40G   unknown
Hu1/0/31          notconnect    1            full    40G   unknown
Hu1/0/32          notconnect    31           full    100G  QSFP 100G CU3M
Hu1/0/1/1         connected     1            full    10G   QSFP 4X10G AOC2M
Hu1/0/1/2         connected     1            full    10G   QSFP 4X10G AOC2M
Hu1/0/1/3         notconnect    1            full    10G   QSFP 4X10G AOC2M
Hu1/0/1/4         notconnect    1            full    10G   QSFP 4X10G AOC2M
Hu1/0/7/1         connected     routed       full    25G   QSFP28 4SFP25G
CU3M
Hu1/0/7/2         connected     routed       full    25G   QSFP28 4SFP25G
CU3M
Hu1/0/7/3         connected     routed       full    25G   QSFP28 4SFP25G
CU3M
Hu1/0/7/4         connected     routed       full    25G   QSFP28 4SFP25G
CU3M

```

The following example shows a sample output of the **hw-module breakout port-num** command after enabling breakout on port 1:

```

Device(config)# hw-module breakout 1

Breakout: Enabling breakout ports on HundredGig1/0/1 successful.

Device(config)#
*Aug 2 06:10:56.281: %TRANSCEIVER-6-REMOVED: R0/0: iomd: Transceiver module removed from
HundredGigE1/0/1
*Aug 2 06:10:56.317: %TRANSCEIVER-6-INSERTED: R0/0: iomd: transceiver module inserted in
HundredGigE1/0/1/1
*Aug 2 06:10:56.319: %TRANSCEIVER-6-INSERTED: R0/0: iomd: transceiver module inserted in
HundredGigE1/0/1/2
*Aug 2 06:10:56.321: %TRANSCEIVER-6-INSERTED: R0/0: iomd: transceiver module inserted in
HundredGigE1/0/1/3
*Aug 2 06:10:56.323: %TRANSCEIVER-6-INSERTED: R0/0: iomd: transceiver module inserted in
HundredGigE1/0/1/4

*Aug 2 06:11:05.927: %LINK-3-UPDOWN: Interface HundredGigE1/0/1/1, changed state to up
*Aug 2 06:11:05.928: %LINK-3-UPDOWN: Interface HundredGigE1/0/1/2, changed state to up
*Aug 2 06:11:06.167: %LINK-3-UPDOWN: Interface HundredGigE1/0/1/3, changed state to up
*Aug 2 06:11:06.172: %LINK-3-UPDOWN: Interface HundredGigE1/0/1/4, changed state to up

*Aug 2 06:11:06.927: %LINEPROTO-5-UPDOWN: Line protocol on Interface HundredGigE1/0/1/1,
changed state to up
*Aug 2 06:11:06.928: %LINEPROTO-5-UPDOWN: Line protocol on Interface HundredGigE1/0/1/2,
changed state to up
*Aug 2 06:11:07.167: %LINEPROTO-5-UPDOWN: Line protocol on Interface HundredGigE1/0/1/3,
changed state to up
*Aug 2 06:11:07.173: %LINEPROTO-5-UPDOWN: Line protocol on Interface HundredGigE1/0/1/4,
changed state to up

```

The following example shows a sample output of the **no hw-module breakout port-num** command after disabling breakout on port 1:

```

Device(config)# no hw-module breakout 1

Breakout: Disabling breakout ports on HundredGig1/0/1 successful.

Device(config)#
*Aug 2 10:25:36.905: %LINEPROTO-5-UPDOWN: Line protocol on Interface HundredGigE1/0/1/1,
changed state to down
*Aug 2 10:25:36.927: %LINEPROTO-5-UPDOWN: Line protocol on Interface HundredGigE1/0/1/2,
changed state to down

```

```

*Aug 2 10:25:36.952: %LINEPROTO-5-UPDOWN: Line protocol on Interface HundredGigE1/0/1/3,
changed state to down
*Aug 2 10:25:36.974: %LINEPROTO-5-UPDOWN: Line protocol on Interface HundredGigE1/0/1/4,
changed state to down

*Aug 2 10:25:37.905: %LINK-3-UPDOWN: Interface HundredGigE1/0/1/1, changed state to down
*Aug 2 10:25:37.927: %LINK-3-UPDOWN: Interface HundredGigE1/0/1/2, changed state to down
*Aug 2 10:25:37.951: %LINK-3-UPDOWN: Interface HundredGigE1/0/1/3, changed state to down
*Aug 2 10:25:37.975: %LINK-3-UPDOWN: Interface HundredGigE1/0/1/4, changed state to down

*Aug 2 10:25:38.869: %TRANSCEIVER-6-INSERTED: R0/0: iomd: transceiver module inserted in
HundredGigE1/0/1
*Aug 2 10:25:38.903: %TRANSCEIVER-6-REMOVED: R0/0: iomd: Transceiver module removed from
HundredGigE1/0/1/1
*Aug 2 10:25:38.941: %TRANSCEIVER-6-REMOVED: R0/0: iomd: Transceiver module removed from
HundredGigE1/0/1/2
*Aug 2 10:25:38.978: %TRANSCEIVER-6-REMOVED: R0/0: iomd: Transceiver module removed from
HundredGigE1/0/1/3
*Aug 2 10:25:39.015: %TRANSCEIVER-6-REMOVED: R0/0: iomd: Transceiver module removed from
HundredGigE1/0/1/4

```

Example: Configuring 40G and 100G on C9500-32QC

The following example shows how to enable interface HundredGigabitEthernet 1/0/40. When you enable the interface HundredGigabitEthernet 1/0/40, the corresponding FortyGigabitEthernet 1/0/15 and FortyGigabitEthernet 1/0/16 interfaces, become inactive.

```

Device# configure terminal
Device(config)interface HundredGigabitEthernet 1/0/40
Device(config-if)enable
Device(config-if)end

```

The following example shows how to enable interface FortyGigabitEthernet 1/0/25. When you disable the interface HundredGigabitEthernet 1/0/45, the corresponding FortyGigabitEthernet 1/0/25 and FortyGigabitEthernet 1/0/26 interfaces, become active.

```

Device# configure terminal
Device(config)interface HundredGigabitEthernet 1/0/45
Device(config-if)no enable
Device(config-if)end

```

The following is sample output of all the 40 GigabitEthernet and 100 GigabitEthernet interfaces on C9500-32QC.

```

Device# show interface status

```

Port	Name	Status	Vlan	Duplex	Speed	Type
Fo1/0/1		notconnect	routed	full	40G	QSFP
40G AOC10M						
Fo1/0/2		notconnect	routed	full	40G	QSFP
40G CU3M						
Fo1/0/3		notconnect	routed	full	100G	QSFP
100G CU3M						
Fo1/0/4		notconnect	routed	full	40G	QSFP
40G CU5M						
Fo1/0/5		notconnect	routed	full	100G	QSFP
100G CU3M						
Fo1/0/6		notconnect	routed	full	40G	QSFP

```

40G AOC2M
Fo1/0/7          notconnect  routed      full    100G QSFP
100G CU3M
Fo1/0/8          notconnect  routed      full    40G QSFP
40G CR4 SFP
Fo1/0/9          notconnect  routed      full    100G QSFP
100G CU3M
Fo1/0/10         notconnect  routed      auto    auto unknown
Fo1/0/11         notconnect  routed      full    100G QSFP
100G CU3M
Fo1/0/12         notconnect  routed      auto    auto unknown
Fo1/0/13         notconnect  routed      full    100G QSFP
100G CU3M

```

Port	Name	Status	Vlan	Duplex	Speed	Type
Fo1/0/14		notconnect	routed	auto	auto	unknown
Fo1/0/15		notconnect	routed	full	100G	QSFP
100G CU3M						
Fo1/0/16		notconnect	routed	auto	auto	unknown
Fo1/0/17		notconnect	routed	full	40G	QSFP
40G AOC10M						
Fo1/0/18		notconnect	routed	auto	auto	unknown
Fo1/0/19		notconnect	routed	full	40G	QSFP
40G AOC3M						
Fo1/0/20		notconnect	routed	auto	auto	unknown
Fo1/0/21		notconnect	routed	auto	auto	unknown
Fo1/0/22		notconnect	routed	full	40G	QSFP
40G CR4 SFP						
Fo1/0/23		notconnect	routed	full	40G	QSFP
40G CR4 SFP						
Fo1/0/24		notconnect	routed	full	40G	QSFP
40G CR4 SFP						
Fo1/0/25		inactive	routed	auto	auto	unknown
Fo1/0/26		inactive	routed	auto	auto	unknown
Fo1/0/27		inactive	routed	auto	auto	unknown
Fo1/0/28		inactive	routed	full	40G	QSFP
40G CR4 SFP						
Fo1/0/29		inactive	routed	auto	auto	unknown

Port	Name	Status	Vlan	Duplex	Speed	Type
Fo1/0/30		inactive	routed	auto	auto	unknown
Fo1/0/31		inactive	routed	auto	auto	unknown
Fo1/0/32		inactive	routed	full	40G	QSFP
40G CR4 SFP						
Hu1/0/33		inactive	routed	auto	auto	unknown
Hu1/0/34		inactive	routed	auto	auto	unknown
Hu1/0/35		inactive	routed	auto	auto	unknown
Hu1/0/36		inactive	routed	auto	auto	unknown
Hu1/0/37		inactive	routed	auto	auto	unknown
Hu1/0/38		inactive	routed	auto	auto	unknown
Hu1/0/39		inactive	routed	auto	auto	unknown

Hu1/0/40	inactive	routed	auto	auto	unknown
Hu1/0/41	inactive	routed	auto	auto	unknown
Hu1/0/42	inactive	routed	auto	auto	unknown
Hu1/0/43	inactive	routed	auto	auto	unknown
Hu1/0/44	inactive	routed	auto	auto	unknown
Hu1/0/45	notconnect	routed	full	40G	QSFP
40G CU3M					
Hu1/0/46	connected	routed	full	100G	QSFP
100G CU3M					
Hu1/0/47	connected	routed	full	100G	QSFP
100G CU3M					
Hu1/0/48	connected	routed	full	100G	QSFP
100G CU3M					

Example: Configuring the Console Media Type

The following example shows how to disable the USB console media type and enable the RJ-45 console media type:

```
Device# configure terminal
Device(config)# line console 0
Device(config-line)# media-type rj45 switch 1
```

The following example shows how to reverse the previous configuration and immediately activate any USB console that is connected:

```
Device# configure terminal
Device(config)# line console 0
Device(config-line)# no media-type rj45 switch 1
```

Example: Configuring USB Inactivity Timeout

The following example shows how to configure the inactivity timeout to 30 minutes:

```
Device# configure terminal
Device(config)# line console 0
Device(config-line)# usb-inactivity-timeout switch 1 30
```

The following example shows how to disable the configuration:

```
Device# configure terminal
Device(config)# line console 0
Device(config-line)# no usb-inactivity-timeout switch 1
```

If there is no (input) activity on a USB console port for the configured number of minutes, the inactivity timeout setting applies to the RJ-45 port, and a log shows this occurrence:

```
*Mar 1 00:47:25.625: %USB_CONSOLE-6-INACTIVITY_DISABLE: Console media-type USB disabled
due to inactivity, media-type reverted to RJ45.
```

At this point, the only way to reactivate the USB console port is to disconnect and reconnect the cable.

When the USB cable on a switch is disconnected and reconnected, a log, which is similar to this, appears:

```
*Mar 1 00:48:28.640: %USB_CONSOLE-6-MEDIA_USB: Console media-type is USB.
```

Additional References for Configuring Interface Characteristics

Related Documents

Related Topic	Document Title
For complete syntax and usage information for the commands used in this chapter.	See the <i>Interface and Hardware Commands</i> section in the <i>Command Reference (Catalyst 9500 Series Switches)</i> .

Feature History for Configuring Interface Characteristics

This table provides release and related information for the features explained in this module.

These features are available in all the releases subsequent to the one they were introduced in, unless noted otherwise.

Release	Feature	Feature Information
Cisco IOS XE Everest 16.5.1a	Interface Characteristics	Interface Characteristics includes interface types, connections, configuration modes, speed, and other aspects of configuring a physical interface on a device. Support for this feature was introduced only on the C9500-12Q, C9500-24Q, C9500-16X and C9500-40X models of the Cisco Catalyst 9500 Series Switches.
Cisco IOS XE Everest 16.6.4	IEEE 802.3x Flow Control	The default value for flowcontrol interface configuration command was modified to on on the C9500-12Q, C9500-24Q, C9500-16X and C9500-40X models of the Cisco Catalyst 9500 Series Switches

Release	Feature	Feature Information
Cisco IOS XE Fuji 16.8.1a	Interface Characteristics	Interface Characteristics includes interface types, connections, configuration modes, speed, and other aspects of configuring a physical interface on a device. Support for this feature was introduced only on the C9500-32C, C9500-32QC, C9500-48Y4C, and C9500-24Y4C models of the Cisco Catalyst 9500 Series Switches.
	Breakout interfaces	Support for breakout interfaces was introduced on the following: <ul style="list-style-type: none"> • Only the first four ports of C9500-12Q, C9500-24Q, C9500-16X and C9500-40X models. • All the ports of the C9500-NM-2Q network module.
Cisco IOS XE Fuji 16.9.1	Breakout interfaces	On Cisco Catalyst 9500 Series Switches, support for breakout configuration was introduced only on the first twelve ports of C9500-24Q, C9500-16X, C9500-40X models.
Cisco IOS XE Gibraltar 16.10.1	Breakout interfaces	On Cisco Catalyst 9500 Series Switches, support for breakout configuration was introduced on the following: <ul style="list-style-type: none"> • The first twenty-four ports of C9500-40X, and all ports of C9500-24Q and C9500-16X models. • C9500-32C model
	Password Authentication on USB 3.0 SSD	Support for configuring password on a USB 3.0 SSD was enabled on the C9500-12Q, C9500-16X, C9500-24Q, C9500-40X models of the Cisco Catalyst 9500 Series Switches.

Release	Feature	Feature Information
Cisco IOS XE Gibraltar 16.11.1	Breakout configuration with Cisco StackWise Virtual	Support for breakout configuration with Cisco StackWise Virtual was enabled on all the models of the Cisco Catalyst 9500 Series Switches.
Cisco IOS XE Bengaluru 17.5.1	Disabling USB interfaces	Support to disable all USB ports on a standalone or stacked device was introduced.
Cisco IOS XE Cupertino 17.7.1	Interface Characteristics	Support for configuration of interface characteristics was introduced on the C9500X-28C8D model of Cisco Catalyst 9500 Series Switches.
	Breakout interfaces	Support for breakout configuration was introduced only on all odd ports on the C9500X-28C8D model of Cisco Catalyst 9500 Series Switches
Cisco IOS XE Cupertino 17.10.1b	Interface Characteristics	Support for configuration of interface characteristics was introduced on the C9500X-60L4D model of Cisco Catalyst 9500 Series Switches.
	Breakout interfaces	Support for breakout configuration was introduced on 400G ports on the C9500X-60L4D model of Cisco Catalyst 9500 Series Switches.

Use the Cisco Feature Navigator to find information about platform and software image support. To access Cisco Feature Navigator, go to [Cisco Feature Navigator](#).



CHAPTER 2

Configuring Ethernet Management Port

- [Prerequisites for Ethernet Management Port, on page 75](#)
- [Information About the Ethernet Management Port, on page 75](#)
- [How to Configure the Ethernet Management Port, on page 77](#)
- [Example for Configuring IP Address on Ethernet Management Interface, on page 78](#)
- [Additional References for Ethernet Management Port, on page 79](#)
- [Feature History for Ethernet Management Port, on page 79](#)

Prerequisites for Ethernet Management Port

When connecting a PC to the Ethernet management port, you must first assign an IP address.

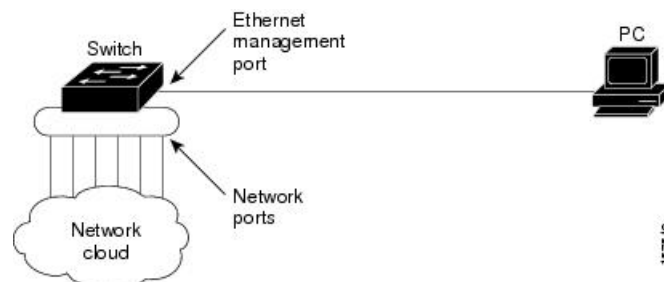
Information About the Ethernet Management Port

The Ethernet management port, also referred to as the *Gi0/0* or *GigabitEthernet0/0* port, is a VRF (VPN routing/forwarding) interface to which you can connect a PC. You can use the Ethernet management port instead of the device console port for network management.

Ethernet Management Port Direct Connection to a Device

Figure 3: Connecting a Device to a PC

This figure displays how to connect the Ethernet management port to the PC for a device or a standalone device.



Ethernet Management Port with StackWise Virtual

Physically, the Ethernet management port needs to be connected from both active and standby switches to the uplink switch. Since the switches in a Cisco StackWise Virtual solution use a single management plane, the same IP address is applicable to both active and standby switches. After stateful switchover (SSO) between the active and standby switches, the Ethernet Management port on the active (previously standby) switch will link up and continue to support management functionalities.



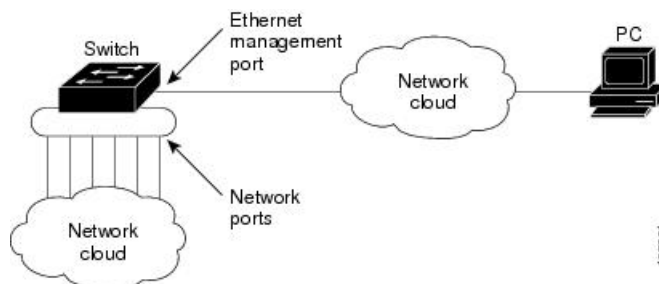
Note Any SSH, SCP, or Telnet sessions established by clients over the Ethernet management port IP address before stateful switchover to a new active switch in StackWise Virtual will be terminated and a new session has to be initiated after switchover.

Ethernet Management Port and Routing

By default, the Ethernet management port is enabled. The device cannot route packets from the Ethernet management port to a network port, and the reverse. Even though the Ethernet management port does not support routing, you may need to enable routing protocols on the port.

Figure 4: Network Example with Routing Protocols Enabled

Enable routing protocols on the Ethernet management port when the PC is multiple hops away from the device and the packets must pass through multiple Layer 3 devices to reach the PC.



In the above figure, if the Ethernet management port and the network ports are associated with the same routing process, the routes are propagated as follows:

- The routes from the Ethernet management port are propagated through the network ports to the network.
- The routes from the network ports are propagated through the Ethernet management port to the network.

Because routing is not supported between the Ethernet management port and the network ports, traffic between these ports cannot be sent or received. If this happens, data packet loops occur between the ports, which disrupt the device and network operation. To prevent the loops, configure route filters to avoid routes between the Ethernet management port and the network ports.

Supported Features on the Ethernet Management Port

The Ethernet management port supports these features:

- Express Setup (only in device stacks)

- Network Assistant
- Telnet with passwords
- TFTP
- Secure Shell (SSH)
- DHCP-based autoconfiguration
- SNMP (only ENTITY-MIB and IF-MIB)
- IP ping
- Interface features:
 - Speed: 10 Mb/s, 100 Mb/s, 1000 Mb/s, and autonegotiation
 - Duplex mode: Full, half, and autonegotiation
 - Loopback detection
- Cisco Discovery Protocol (CDP)
- DHCP relay agent

**Caution**

Before enabling a feature on the Ethernet management port, make sure that the feature is supported. If you try to configure an unsupported feature on the Ethernet Management port, the feature might not work properly, and the device might fail.

How to Configure the Ethernet Management Port

This section contains the procedures of how to configure the Ethernet Management Port.

Disabling and Enabling the Ethernet Management Port

Procedure

	Command or Action	Purpose
Step 1	configure terminal Example: Device# configure terminal	Enters global configuration mode.
Step 2	interface gigabitethernet0/0 Example: Device(config)# interface gigabitethernet0/0	Specifies the Ethernet management port in the CLI.

	Command or Action	Purpose
Step 3	shutdown Example: Device(config-if)# shutdown	Disables the Ethernet management port.
Step 4	no shutdown Example: Device(config-if)# no shutdown	Enables the Ethernet management port.
Step 5	exit Example: Device(config-if)# exit	Exits interface configuration mode.
Step 6	show interfaces gigabitethernet0/0 Example: Device# show interfaces gigabitethernet0/0	Displays the link status. To find out the link status to the PC, you can monitor the LED for the Ethernet management port. The LED is green (on) when the link is active, and the LED is off when the link is down. The LED is amber when there is a POST failure.

What to do next

Proceed to manage or configure your device using the Ethernet management port. See the Network Management section.

Example for Configuring IP Address on Ethernet Management Interface

This example shows how to configure IP address on the GigabitEthernet0/0 management interface.

```
Device# configure terminal
Device(config)# interface gigabitethernet0/0
Device(config-if)# vrf forwarding Mgmt-vrf
Device(config-if)# ip address 192.168.247.10 255.255.0.0
Device(config-if)# end
```

```
Device# show running-config interface Gi0/0
```

```
Building configuration...
```

```
Current configuration : 118 bytes
!
interface GigabitEthernet0/0
vrf forwarding Mgmt-vrf
ip address 192.168.247.10 255.255.0.0
negotiation auto
end
```

This example shows how to configure IP address on the TenGigabitEthernet0/1 management interface.

```

Device# configure terminal
Device(config)# interface TenGigabitEthernet0/1
Device(config-if)# vrf forwarding Mgmt-vrf
Device(config-if)# ip address 192.168.247.20 255.255.0.0
Device(config-if)# negotiation auto
Device(config-if)# end

Device# show running-config interface Te0/1

Building configuration...

Current configuration : 118 bytes
!
interface TenGigabitEthernet0/1
 vrf forwarding Mgmt-vrf
 ip address 192.168.247.20 255.255.0.0
 negotiation auto
end

```

Additional References for Ethernet Management Port

Related Documents

Related Topic	Document Title
Bootloader configuration	See the <i>System Management</i> section of this guide.
Bootloader commands	See the <i>System Management Commands</i> section of the <i>Command Reference (Catalyst 9500 Series Switches)</i> .

Feature History for Ethernet Management Port

This table provides release and related information for features explained in this module.

These features are available on all releases subsequent to the one they were introduced in, unless noted otherwise.

Release	Feature	Feature Information
Cisco IOS XE Everest 16.5.1a	Ethernet Management Port	The Ethernet management port is a VRF interface to which you can connect a PC. You can use the Ethernet management port instead of the device console port for network management. Support for this feature was introduced only on the C9500-12Q, C9500-16X, C9500-24Q, C9500-40X models of the Cisco Catalyst 9500 Series Switches.

Release	Feature	Feature Information
Cisco IOS XE Fuji 16.8.1a	Ethernet Management Port	Support for this feature was introduced only on the C9500-32C, C9500-32QC, C9500-48Y4C, and C9500-24Y4C models of the Cisco Catalyst 9500 Series Switches.

Use Cisco Feature Navigator to find information about platform and software image support. To access Cisco Feature Navigator, go to [Cisco Feature Navigator](#).



CHAPTER 3

Configuring LLDP, LLDP-MED, and Wired Location Service

- [Restrictions for LLDP, on page 81](#)
- [Information About LLDP, LLDP-MED, and Wired Location Service, on page 81](#)
- [How to Configure LLDP, LLDP-MED, and Wired Location Service, on page 85](#)
- [Configuration Examples for LLDP, LLDP-MED, and Wired Location Service, on page 93](#)
- [Monitoring and Maintaining LLDP, LLDP-MED, and Wired Location Service, on page 94](#)
- [Additional References for LLDP, LLDP-MED, and Wired Location Service, on page 95](#)
- [Feature History for LLDP, LLDP-MED, and Wired Location Service, on page 95](#)

Restrictions for LLDP

- If the interface is configured as a tunnel port, LLDP is automatically disabled.
- If you first configure a network-policy profile on an interface, you cannot apply the **switchport voice vlan** command on the interface. If the **switchport voice vlan *vlan-id*** is already configured on an interface, you can apply a network-policy profile on the interface. This way the interface has the voice or voice-signaling VLAN network-policy profile applied on the interface.
- You cannot configure static secure MAC addresses on an interface that has a network-policy profile.
- When Cisco Discovery Protocol and LLDP are both in use within the same switch, it is necessary to disable LLDP on interfaces where Cisco Discovery Protocol is in use for power negotiation. LLDP can be disabled at interface level with the commands **no lldp tlv-select power-management** or **no lldp transmit / no lldp receive**.

Information About LLDP, LLDP-MED, and Wired Location Service

This section describes about LLDP, LLDP-MED, and wired location service.

LLDP

The Cisco Discovery Protocol (CDP) is a device discovery protocol that runs over Layer 2 (the data link layer) on all Cisco-manufactured devices (routers, bridges, access servers, switches, and controllers). CDP allows

network management applications to automatically discover and learn about other Cisco devices connected to the network.

To support non-Cisco devices and to allow for interoperability between other devices, the device supports the IEEE 802.1AB Link Layer Discovery Protocol (LLDP). LLDP is a neighbor discovery protocol that is used for network devices to advertise information about themselves to other devices on the network. This protocol runs over the data-link layer, which allows two systems running different network layer protocols to learn about each other.

LLDP Supported TLVs

LLDP supports a set of attributes that it uses to discover neighbor devices. These attributes contain type, length, and value descriptions and are referred to as TLVs. LLDP supported devices can use TLVs to receive and send information to their neighbors. This protocol can advertise details such as configuration information, device capabilities, and device identity.

The switch supports these basic management TLVs. These are mandatory LLDP TLVs.

- Port description TLV
- System name TLV
- System description TLV
- System capabilities TLV
- Management address TLV

These organizationally specific LLDP TLVs are also advertised to support LLDP-MED.

- Port VLAN ID TLV (IEEE 802.1 organizationally specific TLVs)
- MAC/PHY configuration/status TLV (IEEE 802.3 organizationally specific TLVs)

LLDP-MED

LLDP for Media Endpoint Devices (LLDP-MED) is an extension to LLDP that operates between endpoint devices such as IP phones and network devices. It specifically provides support for voice over IP (VoIP) applications and provides additional TLVs for capabilities discovery, network policy, Power over Ethernet, inventory management and location information. By default, all LLDP-MED TLVs are enabled.

LLDP-MED Supported TLVs

LLDP-MED supports these TLVs:

- LLDP-MED capabilities TLV

Allows LLDP-MED endpoints to determine the capabilities that the connected device supports and has enabled.

- Network policy TLV

Allows both network connectivity devices and endpoints to advertise VLAN configurations and associated Layer 2 and Layer 3 attributes for the specific application on that port. For example, the switch can notify a phone of the VLAN number that it should use. The phone can connect to any device, obtain its VLAN number, and then start communicating with the call control.

By defining a network-policy profile TLV, you can create a profile for voice and voice-signaling by specifying the values for VLAN, class of service (CoS), differentiated services code point (DSCP), and tagging mode. These profile attributes are then maintained centrally on the switch and propagated to the phone.

- Power management TLV

Enables advanced power management between LLDP-MED endpoint and network connectivity devices. Allows devices and phones to convey power information, such as how the device is powered, power priority, and how much power the device needs.

LLDP-MED also supports an extended power TLV to advertise fine-grained power requirements, end-point power priority, and end-point and network connectivity-device power status. LLDP is enabled and power is applied to a port, the power TLV determines the actual power requirement of the endpoint device so that the system power budget can be adjusted accordingly. The device processes the requests and either grants or denies power based on the current power budget. If the request is granted, the switch updates the power budget. If the request is denied, the device turns off power to the port, generates a syslog message, and updates the power budget. If LLDP-MED is disabled or if the endpoint does not support the LLDP-MED power TLV, the initial allocation value is used throughout the duration of the connection.

You can change power settings by entering the **power inline** {**auto** [**max** *max-wattage*] | **never** | **static** [**max** *max-wattage*] } interface configuration command. By default the PoE interface is in **auto** mode; If no value is specified, the maximum is allowed (30 W).

- Inventory management TLV

Allows an endpoint to send detailed inventory information about itself to the device, including information hardware revision, firmware version, software version, serial number, manufacturer name, model name, and asset ID TLV.

- Location TLV

Provides location information from the device to the endpoint device. The location TLV can send this information:

- Civic location information

Provides the civic address information and postal information. Examples of civic location information are street address, road name, and postal community name information.

- ELIN location information

Provides the location information of a caller. The location is determined by the Emergency location identifier number (ELIN), which is a phone number that routes an emergency call to the local public safety answering point (PSAP) and which the PSAP can use to call back the emergency caller.

- Geographic location information

Provides the geographical details of a switch location such as latitude, longitude, and altitude of a switch.

- custom location

Provides customized name and value of a switch location.

Wired Location Service

The device uses the location service feature to send location and attachment tracking information for its connected devices to a Cisco Mobility Services Engine (MSE). The tracked device can be a wireless endpoint, a wired endpoint, or a wired device or controller. The device notifies the MSE of device link up and link down events through the Network Mobility Services Protocol (NMSP) location and attachment notifications.

The MSE starts the NMSP connection to the device, which opens a server port. When the MSE connects to the device there are a set of message exchanges to establish version compatibility and service exchange information followed by location information synchronization. After connection, the device periodically sends location and attachment notifications to the MSE. Any link up or link down events detected during an interval are aggregated and sent at the end of the interval.

When the device determines the presence or absence of a device on a link-up or link-down event, it obtains the client-specific information such as the MAC address, IP address, and username. If the client is LLDP-MED- or CDP-capable, the device obtains the serial number and UDI through the LLDP-MED location TLV or CDP.

Depending on the device capabilities, the device obtains this client information at link up:

- Slot and port specified in port connection
- MAC address specified in the client MAC address
- IP address specified in port connection
- 802.1X username if applicable
- Device category is specified as a *wired station*
- State is specified as *new*
- Serial number, UDI
- Model number
- Time in seconds since the device detected the association

Depending on the device capabilities, the device obtains this client information at link down:

- Slot and port that was disconnected
- MAC address
- IP address
- 802.1X username if applicable
- Device category is specified as a *wired station*
- State is specified as *delete*
- Serial number, UDI
- Time in seconds since the device detected the disassociation

When the device shuts down, it sends an attachment notification with the state *delete* and the IP address before closing the NMSP connection to the MSE. The MSE interprets this notification as disassociation for all the wired clients associated with the device.

If you change a location address on the device, the device sends an NMSP location notification message that identifies the affected ports and the changed address information.

Default LLDP Configuration

Table 14: Default LLDP Configuration

Feature	Default Setting
LLDP global state	Disabled
LLDP holdtime (before discarding)	120 seconds
LLDP timer (packet update frequency)	30 seconds
LLDP reinitialization delay	2 seconds
LLDP tlv-select	Disabled to send and receive all TLVs
LLDP interface state	Disabled
LLDP receive	Disabled
LLDP transmit	Disabled
LLDP med-tlv-select	Disabled to send all LLDP-MED TLVs. When LLDP is glob LLDP-MED-TLV is also enabled.

How to Configure LLDP, LLDP-MED, and Wired Location Service

This section provides the procedures to configure LLDP, LLDP-MED, and wired location service.

Enabling LLDP

Procedure

	Command or Action	Purpose
Step 1	enable Example: Device> enable	Enables privileged EXEC mode. Enter your password, if prompted.
Step 2	configure terminal Example: Device# configure terminal	Enters global configuration mode.
Step 3	lldp run Example:	Enables LLDP globally on the device.

	Command or Action	Purpose
	Device(config)# lldp run	
Step 4	interface <i>interface-id</i> Example: Device(config)# interface fortygigabitethernet2/0/1	Specifies the interface on which you are enabling LLDP, and enters interface configuration mode.
Step 5	lldp transmit Example: Device(config-if)# lldp transmit	Enables the interface to send LLDP packets.
Step 6	lldp receive Example: Device(config-if)# lldp receive	Enables the interface to receive LLDP packets.
Step 7	end Example: Device(config-if)# end	Exits interface configuration mode, and returns to privileged EXEC mode.
Step 8	show lldp Example: Device# show lldp	Verifies the configuration.
Step 9	copy running-config startup-config Example: Device# copy running-config startup-config	(Optional) Saves your entries in the configuration file.

Configuring LLDP Characteristics

You can configure the frequency of LLDP updates, the amount of time to hold the information before discarding it, and the initialization delay time. You can also select the LLDP and LLDP-MED TLVs to send and receive.



Note Steps 3 through 6 are optional and can be performed in any order.

Procedure

	Command or Action	Purpose
Step 1	enable Example: Device> enable	Enables privileged EXEC mode. Enter your password, if prompted.

	Command or Action	Purpose
Step 2	configure terminal Example: Device# <code>configure terminal</code>	Enters global configuration mode.
Step 3	lldp holdtime seconds Example: Device (config)# <code>lldp holdtime 120</code>	(Optional) Specifies the amount of time a receiving device should hold the information from your device before discarding it. The range is 0 to 65535 seconds; the default is 120 seconds.
Step 4	lldp reinit delay Example: Device (config)# <code>lldp reinit 2</code>	(Optional) Specifies the delay time in seconds for LLDP to initialize on an interface. The range is 2 to 5 seconds; the default is 2 seconds.
Step 5	lldp timer rate Example: Device (config)# <code>lldp timer 30</code>	(Optional) Sets the sending frequency of LLDP updates in seconds. The range is 5 to 65534 seconds; the default is 30 seconds.
Step 6	lldp tlv-select Example: Device (config)# <code>tlv-select</code>	(Optional) Specifies the LLDP TLVs to send or receive.
Step 7	interface interface-id Example: Device (config)# <code>interface fortygigabitethernet2/0/1</code>	Specifies the interface on which you are enabling LLDP, and enters interface configuration mode.
Step 8	lldp med-tlv-select Example: Device (config-if)# <code>lldp med-tlv-select inventory management</code>	(Optional) Specifies the LLDP-MED TLVs to send or receive.
Step 9	end Example: Device (config-if)# <code>end</code>	Exits interface configuration mode, and returns to privileged EXEC mode.
Step 10	show lldp Example: Device# <code>show lldp</code>	Verifies the configuration.
Step 11	copy running-config startup-config Example: Device# <code>copy running-config startup-config</code>	(Optional) Saves your entries in the configuration file.

Configuring LLDP-MED TLVs

By default, the device only sends LLDP packets until it receives LLDP-MED packets from the end device. It then sends LLDP packets with MED TLVs, as well. When the LLDP-MED entry has been aged out, it again only sends LLDP packets.

By using the **lldp** interface configuration command, you can configure the interface not to send the TLVs listed in the following table.

Table 15: LLDP-MED TLVs

LLDP-MED TLV	Description
inventory-management	LLDP-MED inventory management TLV
location	LLDP-MED location TLV
network-policy	LLDP-MED network policy TLV
power-management	LLDP-MED power management TLV

Follow these steps to enable a TLV on an interface:

Procedure

	Command or Action	Purpose
Step 1	enable Example: Device> enable	Enables privileged EXEC mode. Enter your password, if prompted.
Step 2	configure terminal Example: Device# configure terminal	Enters global configuration mode.
Step 3	interface interface-id Example: Device(config)# interface fortygigabitethernet2/0/1	Specifies the interface on which you are enabling LLDP, and enters interface configuration mode.
Step 4	lldp med-tlv-select Example: Device(config-if)# lldp med-tlv-select inventory management	Specifies the TLV to enable.
Step 5	end Example: Device(config-if)# end	Exits global configuration mode, and returns to privileged EXEC mode.
Step 6	copy running-config startup-config Example:	(Optional) Saves your entries in the configuration file.

	Command or Action	Purpose
	Device# <code>copy running-config startup-config</code>	

Configuring Network-Policy TLV

Procedure

	Command or Action	Purpose
Step 1	enable Example: Device> <code>enable</code>	Enables privileged EXEC mode. Enter your password, if prompted.
Step 2	configure terminal Example: Device# <code>configure terminal</code>	Enters global configuration mode.
Step 3	network-policy profile <i>profile number</i> Example: Device (config)# <code>network-policy profile 1</code>	Specifies the network-policy profile number, and enters network-policy configuration mode. The range is 1 to 4294967295.
Step 4	{voice voice-signaling} vlan [<i>vlan-id</i> { cos <i>cvalue</i> dscp <i>dvalue</i> }] [[dot1p { cos <i>cvalue</i> dscp <i>dvalue</i> }] none untagged] Example: Device (config-network-policy)# <code>voice vlan 100 cos 4</code>	Configures the policy attributes: <ul style="list-style-type: none"> • voice: Specifies the voice application type. • voice-signaling: Specifies the voice-signaling application type. • vlan: Specifies the native VLAN for voice traffic. • <i>vlan-id</i>: (Optional) Specifies the VLAN for voice traffic. The range is 1 to 4094. • cos cvalue: (Optional) Specifies the Layer 2 priority class of service (CoS) for the configured VLAN. The range is 0 to 7; the default is 5. • dscp dvalue: (Optional) Specifies the differentiated services code point (DSCP) value for the configured VLAN. The range is 0 to 63; the default is 46. • dot1p: (Optional) Configures the telephone to use IEEE 802.1p priority tagging and use VLAN 0 (the native VLAN).

	Command or Action	Purpose
		<ul style="list-style-type: none"> • none: (Optional) Do not instruct the IP telephone about the voice VLAN. The telephone uses the configuration from the telephone key pad. • untagged: (Optional) Configures the telephone to send untagged voice traffic. This is the default for the telephone.
Step 5	exit Example: Device (config) # exit	Returns to global configuration mode.
Step 6	interface <i>interface-id</i> Example: Device (config) # interface fortygigabitethernet2/0/1	Specifies the interface on which you are configuring a network-policy profile, and enters interface configuration mode.
Step 7	network-policy <i>profile number</i> Example: Device (config-if) # network-policy 1	Specifies the network-policy profile number.
Step 8	lldp med-tlv-select network-policy Example: Device (config-if) # lldp med-tlv-select network-policy	Specifies the network-policy TLV.
Step 9	end Example: Device (config) # end	Returns to privileged EXEC mode.
Step 10	show network-policy profile Example: Device# show network-policy profile	Verifies the configuration.
Step 11	copy running-config startup-config Example: Device# copy running-config startup-config	(Optional) Saves your entries in the configuration file.

Configuring Location TLV and Wired Location Service

Beginning in privileged EXEC mode, follow these steps to configure location information for an endpoint and to apply it to an interface.

Procedure

	Command or Action	Purpose
Step 1	configure terminal Example: Device# configure terminal	Enters global configuration mode.
Step 2	location { admin-tag <i>string</i> civic-location identifier { <i>id</i> <i>host</i> } elin-location <i>string identifier id</i> custom-location identifier { <i>id</i> <i>host</i> } geo-location identifier { <i>id</i> <i>host</i> }} Example: Device(config)# location civic-location identifier 1 Device(config-civic)# number 3550 Device(config-civic)# primary-road-name "Cisco Way" Device(config-civic)# city "San Jose" Device(config-civic)# state CA Device(config-civic)# building 19 Device(config-civic)# room C6 Device(config-civic)# county "Santa Clara" Device(config-civic)# country US	Specifies the location information for an endpoint. <ul style="list-style-type: none"> • admin-tag: Specifies an administrative tag or site information. • civic-location: Specifies civic location information. • elin-location: Specifies emergency location information (ELIN). • custom-location: Specifies custom location information. • geo-location: Specifies geo-spatial location information. • identifier id: Specifies the ID for the civic, ELIN, custom, or geo location. • host: Specifies the host civic, custom, or geo location. • string: Specifies the site or location information in alphanumeric format.
Step 3	exit Example: Device(config-civic)# exit	Returns to global configuration mode.
Step 4	interface <i>interface-id</i> Example: Device(config)# interface fortygigabitethernet2/0/1	Specifies the interface on which you are configuring the location information, and enters interface configuration mode.
Step 5	location { additional-location-information <i>word</i> civic-location-id { <i>id</i> <i>host</i> } elin-location-id <i>id</i> custom-location-id { <i>id</i> <i>host</i> } geo-location-id { <i>id</i> <i>host</i> }} Example: Device(config-if)# location elin-location-id 1	Enters location information for an interface: <ul style="list-style-type: none"> • additional-location-information: Specifies additional information for a location or place. • civic-location-id: Specifies global civic location information for an interface. • elin-location-id: Specifies emergency location information for an interface.

	Command or Action	Purpose
		<ul style="list-style-type: none"> • custom-location-id: Specifies custom location information for an interface. • geo-location-id: Specifies geo-spatial location information for an interface. • host: Specifies the host location identifier. • word: Specifies a word or phrase with additional location information. • id: Specifies the ID for the civic, ELIN, custom, or geo location. The ID range is 1 to 4095.
Step 6	end Example: Device(config-if)# end	Exits interface configuration mode, and returns to privileged EXEC mode.
Step 7	Use one of the following: <ul style="list-style-type: none"> • show location admin-tag <i>string</i> • show location civic-location identifier <i>id</i> • show location elin-location identifier <i>id</i> Example: Device# show location admin-tag OR Device# show location civic-location identifier OR Device# show location elin-location identifier	Verifies the configuration.
Step 8	copy running-config startup-config Example: Device# copy running-config startup-config	(Optional) Saves your entries in the configuration file.

Enabling Wired Location Service on the Device

Before you begin

For wired location to function, you must first enter the **ip device tracking** global configuration command.

Procedure

	Command or Action	Purpose
Step 1	enable Example: Device> enable	Enables privileged EXEC mode. Enter your password, if prompted.
Step 2	configure terminal Example: Device# configure terminal	Enters global configuration mode.
Step 3	nmosp notification interval {attachment location} interval-seconds Example: Device(config)# nmosp notification interval location 10	Specifies the NMSP notification interval. attachment: Specifies the attachment notification interval. location: Specifies the location notification interval. <i>interval-seconds:</i> Duration in seconds before the device sends the MSE the location or attachment updates. The range is 1 to 30; the default is 30.
Step 4	end Example: Device(config)# end	Exits global configuration mode, and returns to privileged EXEC mode.
Step 5	show network-policy profile Example: Device# show network-policy profile	Verifies the configuration.
Step 6	copy running-config startup-config Example: Device# copy running-config startup-config	(Optional) Saves your entries in the configuration file.

Configuration Examples for LLDP, LLDP-MED, and Wired Location Service

This section provides configuration examples for LLDP, LLDP-MED, and wired location service.

Examples: Configuring Network-Policy TLV

This example shows how to configure VLAN 100 for voice application with CoS and to enable the network-policy profile and network-policy TLV on an interface:

```

Device# configure terminal
Device(config)# network-policy 1
Device(config-network-policy)# voice vlan 100 cos 4
Device(config-network-policy)# exit
Device(config)# interface gigabitethernet1/0/1
Device(config-if)# network-policy profile 1
Device(config-if)# lldp med-tlv-select network-policy

```

This example shows how to configure the voice application type for the native VLAN with priority tagging:

```

Device-config-network-policy)# voice vlan dot1p cos 4
Device-config-network-policy)# voice vlan dot1p dscp 34

```

Monitoring and Maintaining LLDP, LLDP-MED, and Wired Location Service

Use the following commands for monitoring and maintaining LLDP, LLDP-MED, and wired location service.

Command	Description
clear lldp counters	Resets the traffic counters to zero.
clear lldp table	Deletes the LLDP neighbor information table.
clear nmosp statistics	Clears the NMSP statistic counters.
show lldp	Displays global information, such as frequency of transmissions, the holdtime for packets being sent, and the delay time before LLDP initializes on an interface.
show lldp entry <i>entry-name</i>	Displays information about a specific neighbor. You can enter an asterisk (*) to display all neighbors, or you can enter the neighbor name.
show lldp interface [<i>interface-id</i>]	Displays information about interfaces with LLDP enabled. You can limit the display to a specific interface.
show lldp neighbors [<i>interface-id</i>] [detail]	Displays information about neighbors, including device type, interface type and number, holdtime settings, capabilities, and port ID. You can limit the display to neighbors of a specific interface or expand the display for more detailed information.
show lldp traffic	Displays LLDP counters, including the number of packets sent and received, number of packets discarded, and number of unrecognized TLVs.

Command	Description
show location admin-tag <i>string</i>	Displays the location information for the specified administrative tag or site.
show location civic-location identifier <i>id</i>	Displays the location information for a specific global civic location.
show location elin-location identifier <i>id</i>	Displays the location information for an emergency location
show network-policy profile	Displays the configured network-policy profiles.
show nmsp	Displays the NMSP information

Additional References for LLDP, LLDP-MED, and Wired Location Service

Related Documents

Related Topic	Document Title
For complete syntax and usage information for the commands used in this chapter.	See the <i>Interface and Hardware Commands</i> section in the <i>Command Reference (Catalyst 9500 Series Switches)</i>

Feature History for LLDP, LLDP-MED, and Wired Location Service

This table provides release and related information for features explained in this module.

These features are available on all releases subsequent to the one they were introduced in, unless noted otherwise.

Release	Feature	Feature Information
Cisco IOS XE Everest 16.5.1a	Link Layer Discovery Protocol (LLDP), LLDP-MED, Wired Location Service	<p>LLDP is a neighbor discovery protocol that is used for network devices to advertise information about themselves to other devices on the network. This protocol runs over the data-link layer, which allows two systems running different network layer protocols to learn about each other.</p> <p>LLDP-MED operates between endpoints and network devices.</p> <p>Wired Location Service lets you send tracking information of the connected devices to a Cisco Mobility Services Engine (MSE).</p> <p>Support for this feature was introduced only on the C9500-12Q, C9500-16X, C9500-24Q, C9500-40X models of the Cisco Catalyst 9500 Series Switches.</p>
Cisco IOS XE Fuji 16.8.1a	Link Layer Discovery Protocol (LLDP), LLDP-MED, Wired Location Service	<p>LLDP is a neighbor discovery protocol that is used for network devices to advertise information about themselves to other devices on the network. This protocol runs over the data-link layer, which allows two systems running different network layer protocols to learn about each other.</p> <p>LLDP-MED operates between endpoints and network devices.</p> <p>Wired Location Service lets you send tracking information of the connected devices to a Cisco Mobility Services Engine (MSE).</p> <p>Support for this feature was introduced only on the C9500-32C, C9500-32QC, C9500-48Y4C, and C9500-24Y4C models of the Cisco Catalyst 9500 Series Switches.</p>

Use Cisco Feature Navigator to find information about platform and software image support. To access Cisco Feature Navigator, go to [Cisco Feature Navigator](#).



CHAPTER 4

Configuring Link Debounce Timer

- [Restrictions for Link Debounce Timer, on page 97](#)
- [Information About Link Debounce Timer, on page 97](#)
- [Configuring Link Debounce Timer, on page 98](#)
- [Example: Configuring the Link Debounce Timer, on page 98](#)
- [Feature History for Link Debounce Timer, on page 99](#)

Restrictions for Link Debounce Timer

- Link Debounce Timer is not available on StackWise Virtual Links (SVL). It is available only on non-SVL links.

Information About Link Debounce Timer

The Link Debounce Timer delays notification of a link down status change. Delayed notification of a link down status change can decrease traffic loss due to network reconfiguration when network ethernet port experiences minor faults in the link.

If the status of a link changes quickly from up to down and then back to up, the Link Debounce Timer suppresses the link down status notification. If the link transitions from up to down, but does not come back up, the Link Debounce Timer delays the link down status notification until the debounce timer expires.

Delayed link down status notification allows a quick port status change and recovery without triggering any of the changes that are necessary when a port goes down. The normal operation of Dense Wavelength Division Multiplexing (DWDM) links includes quick port status changes and recovery during DWDM network reconvergence. Delayed link status notification can also be used to mitigate link flaps because of bad cabling.

You can configure the port debounce timer separately on each LAN port.



Note Enabling the port debounce timer causes link down detections to be delayed, resulting in loss of traffic during the debouncing period. This situation might affect the convergence and reconvergence of some Layer 2 and Layer 3 protocols.

Configuring Link Debounce Timer

To configure Link Debounce Timer on a port, perform this task:

Procedure

	Command or Action	Purpose
Step 1	enable Example: Device> enable	Enables privileged EXEC mode. Enter your password, if prompted.
Step 2	configure terminal Example: Device# configure terminal	Enters global configuration mode.
Step 3	interface <i>interface interface-id</i> Example: Device(config)# interface fortygigabitEthernet 1/0/10	Enters interface configuration mode and selects the link to configure.
Step 4	link debounce [time <i>debounce-time</i>] Example: Device(config-if)# link debounce time 360	Configures the debounce timer in milli seconds. Maximum allowed timer is 1200 ms. The default port debounce timer is 240 ms. Link Debounce Timer works in multiples of 120 ms. If the configured timer value is above the multiple of 120 ms, the system uses the last multiple value of 120 ms.
Step 5	end Example: Device(config-if)# end	Returns to privileged EXEC mode.
Step 6	show interface <i>interface-id</i> debounce or show interface debounce Example: Device# show interface debounce	Verifies the configuration.

Example: Configuring the Link Debounce Timer

The following example shows how to enable Link Debounce Timer on a FortygigabitEthernet port.

```
Device(config)# interface fortygigabitEthernet 1/0/10
Device(config-if)# link debounce time 360
Warning: Enabling debounce feature causes link down detection to be delayed
```

The following examples show how to verify the Link Debounce Timer configuration.

```
Device# show interface fortygigabitEthernet 1/0/10 debounce
```

```
Port      Debounce time  Value(ms)
Fo1/0/10  enable         360
```

```
Device# show interfaces debounce
```

```
Port      Debounce time  Value(ms)
Fo1/0/1   disable
Fo1/0/2   disable
Fo1/0/3   enable         1200
Fo1/0/4   disable
Fo1/0/5   disable
Fo1/0/6   disable
Fo1/0/7   disable
Fo1/0/8   disable
Fo1/0/9   disable
Fo1/0/10  enable         360
Fo1/0/11  disable
Fo1/0/12  enable         240
Fo1/0/13  disable
```

Feature History for Link Debounce Timer

This table provides release and related information for the features explained in this module.

These features are available in all the releases subsequent to the one they were introduced in, unless noted otherwise.

Release	Feature	Feature Information
Cisco IOS XE Bengaluru 17.6.1	Link Debounce Timer	<p>The Link Debounce Timer feature delays notification of a link down status change. Delayed notification of a linkdown status change can decrease traffic loss due to network reconfiguration when network ethernet port experiences minor faults in the link.</p> <p>Support for this feature was introduced only on the C9500-32C, C9500-32QC, C9500-48Y4C, and C9500-24Y4C models of the Cisco Catalyst 9500 Series Switches.</p>

Use the Cisco Feature Navigator to find information about platform and software image support. To access Cisco Feature Navigator, go to [Cisco Feature Navigator](#).



CHAPTER 5

Configuring System MTU

- [Information About the MTU, on page 101](#)
- [How to Configure MTU , on page 102](#)
- [Configuration Examples for System MTU, on page 103](#)
- [Additional References for System MTU, on page 104](#)
- [Feature History for System MTU, on page 104](#)

Information About the MTU

The default maximum transmission unit (MTU) size for payload received in Ethernet frame and sent on all device interfaces is 1500 bytes.

System MTU Value Application

This table shows how the MTU values are applied.

Table 16: MTU Values

Configuration	system mtu command	ip mtu command	ipv6 mtu command
Standalone switch	<p>The range is from 1500 to 9198 bytes.</p> <p>The C9500-32C, C9500-32QC, C9500-48Y4C, and C9500-24Y4C models of the Cisco Catalyst 9500 Series Switches support a range of 1500 to 9216 bytes.</p>	<p>Use the ip mtu bytes command.</p> <p>The range is from 832 up to 1500 bytes.</p> <p>Note The IP MTU value is the applied value, not the configured value.</p>	<p>Use the ipv6 mtu bytes command.</p> <p>The range is from 1280 to the system jumbo MTU value (in bytes).</p> <p>Note The IPv6 MTU value is the applied value, not the configured value.</p>

The upper limit of the IP or IPv6 MTU value is based on the switch configuration and refers to the currently applied system MTU value. For more information about setting the MTU sizes, see the **system mtu** global configuration command in the command reference for this release.

Beginning from Cisco IOS XE Amsterdam 17.3.x, the minimum IPv6 system MTU is fixed at 1280 as per RFC 8200.

How to Configure MTU

The following tasks describe how you can configure MTU.

Configuring the System MTU

Follow these steps to change the MTU size for switched packets:

Procedure

	Command or Action	Purpose
Step 1	enable Example: Device> enable	Enables privileged EXEC mode. Enter your password, if prompted.
Step 2	configure terminal Example: Device# configure terminal	Enters global configuration mode.
Step 3	system mtu bytes Example: Device(config)# system mtu 1900	(Optional) Changes the MTU size for all interfaces.
Step 4	end Example: Device(config)# end	Enters global configuration mode, and returns to privileged EXEC mode.
Step 5	copy running-config startup-config Example: Device# copy running-config startup-config	Saves your entries in the configuration file.
Step 6	show system mtu Example: Device# show system mtu	Verifies your settings.

Configuring Protocol-Specific MTU

To override system MTU values on routed interfaces, configure protocol-specific MTU under each routed interface. To change the MTU size for routed ports, perform this procedure.

Procedure

	Command or Action	Purpose
Step 1	configure terminal Example: Device# <code>configure terminal</code>	Enters global configuration mode.
Step 2	interface <i>interface</i> Example: Device(config)# <code>interface gigabitethernet0/0</code>	Enters interface configuration mode.
Step 3	ip mtu <i>bytes</i> Example: Device(config-if)# <code>ip mtu 68</code>	Changes the IPv4 MTU size
Step 4	ipv6 mtu <i>bytes</i> Example: Device(config-if)# <code>ipv6 mtu 1280</code>	(Optional) Changes the IPv6 MTU size.
Step 5	end Example: Device(config-if)# <code>end</code>	Exits interface configuration mode, and returns to privileged EXEC mode.
Step 6	copy running-config startup-config Example: Device# <code>copy running-config startup-config</code>	Saves your entries in the configuration file.
Step 7	show system mtu Example: Device# <code>show system mtu</code>	Verifies your settings.

Configuration Examples for System MTU

Example: Configuring Protocol-Specific MTU

This example shows how you can configure protocol-specific MTU:

```
Device# configure terminal
Device(config)# interface fortygigabitethernet 0/0
Device(config-if)# ip mtu 900
Device(config-if)# ipv6 mtu 1286
Device(config-if)# end
```

Example: Configuring the System MTU

This example shows how you can configure the system MTU:

```
Device# configure terminal
Device(config)# system mtu 1600
Device(config)# exit
```

Additional References for System MTU

Related Documents

Related Topic	Document Title
For complete syntax and usage information for the commands used in this chapter.	See the <i>Interface and Hardware Commands</i> section in the <i>Command Reference (Catalyst 9500 Series Switches)</i>

Standards and RFCs

Standard/RFC	Title
RFC 8200	<i>Internet Protocol, Version 6 (IPv6) Specification</i>

Feature History for System MTU

This table provides release and related information for features explained in this module.

These features are available on all releases subsequent to the one they were introduced in, unless noted otherwise.

Release	Feature	Feature Information
Cisco IOS XE Everest 16.5.1a	System MTU	System MTU defines the maximum transmission unit size for frames transmitted on all interfaces of a switch. Support for this feature was introduced on the C9500-12Q, C9500-16X, C9500-24Q, C9500-40X models of the Cisco Catalyst 9500 Series Switches.

Release	Feature	Feature Information
Cisco IOS XE Fuji 16.8.1a	System MTU	System MTU defines the maximum transmission unit size for frames transmitted on all interfaces of a switch. Support for this feature was introduced on the C9500-32C, C9500-32QC, C9500-48Y4C, and C9500-24Y4C models of the Cisco Catalyst 9500 Series Switches.

Use Cisco Feature Navigator to find information about platform and software image support. To access Cisco Feature Navigator, go to [Cisco Feature Navigator](#).



CHAPTER 6

Configuring Per-Port MTU

- [Restrictions for Per-Port MTU, on page 107](#)
- [Information About Per-Port MTU, on page 107](#)
- [Configuring Per-Port MTU, on page 108](#)
- [Example: Configuring Per-Port MTU, on page 108](#)
- [Example: Verifying Per-Port MTU, on page 109](#)
- [Example: Disabling Per-Port MTU, on page 109](#)
- [Feature History for Per-Port MTU, on page 109](#)

Restrictions for Per-Port MTU

- Per-Port MTU cannot be configured on the management port.
- Per-Port MTU cannot be configured on SVL links.
- On the Cisco Catalyst 9500 Series Switches - High Performance models, members of a port channel cannot be configured with Per-Port MTU, they derive their MTU from the port-channel MTU configuration.

On the Cisco Catalyst 9500 Series Switches, you can configure per-port MTU on a port-channel interface, but cannot configure per-port MTU on the port-channel members.
- Per-Port MTU is not supported on sub interfaces and port-channel sub interfaces.

Information About Per-Port MTU

You can configure the MTU size for all interfaces on a device at the same time using the **system mtu** command. The default maximum transmission unit (MTU) size for frames received and transmitted on all interfaces is 1500 bytes. The **system mtu** command is a global command and does not allow MTU to be configured at a port level. Starting with Cisco IOS XE 17.1.1, you can configure Per-Port MTU. Per-Port MTU will support port level and port channel level MTU configuration. With Per-Port MTU you can set different MTU values for different interfaces as well as different port channel interfaces.

Per-port MTU can be configured in the range of 1500-9216 bytes.

Once the Per-Port MTU value has been configured on a port, the protocol-specific MTU for that port is also changed to the Per-Port MTU value. When Per-Port MTU is configured on a port, you can still configure protocol-specific MTU on the interface in the range from 256 to Per-Port MTU value.

If the Per-Port MTU is disabled, the MTU for the port will revert to the system MTU value.

You can view the Per-Port MTU configurations on an interface using the **show interface mtu** command.

You can disable Per-Port MTU by using the **no** form of the **mtu bytes** command in the interface configuration mode.

Configuring Per-Port MTU

Follow these steps to change the MTU size for switched packets on a particular port of an interface:

Procedure

	Command or Action	Purpose
Step 1	enable Example: Device> enable	Enables privileged EXEC mode. Enter your password, if prompted.
Step 2	configure terminal Example: Device# configure terminal	Enters global configuration mode.
Step 3	interface <i>typeswitch-number/slot-number/port-number</i> Example: Device(config)# int FortyGigabitEthernet2/5/0/20	Configures the interface and enters interface configuration mode.
Step 4	mtu bytes Example: Device(config-if)# mtu 6666	Configures the MTU size for a particular port on the interface.
Step 5	end Example: Device(config-if)# end	Exits interface configuration mode, and returns to privileged EXEC mode.

Example: Configuring Per-Port MTU

This example shows how to configure Per-Port MTU on an interface:

```
Device# configure terminal
Device(config)# interface FortyGigabitEthernet2/5/0/20
Device(config-if)# mtu 6666
```

```
Device(config-if)# end
```

Example: Verifying Per-Port MTU

This example shows how to verify Per-Port MTU on an interface using the **show interface mtu** command:

```
Device# show interface mtu

Port          Name          MTU
Fo2/5/0/19   Name          1500
Fo2/5/0/20   Name          6666
Fo2/5/0/21   ixia_7_21    1500
```

Example: Disabling Per-Port MTU

This example shows how to disable Per-Port MTU on an interface:

```
Device# configure terminal
Device(config)# interface FortyGigabitEthernet2/5/0/20
Device(config-if)# no mtu
Device(config-if)# end
```

Feature History for Per-Port MTU

This table provides release and related information for features explained in this module.

These features are available on all releases subsequent to the one they were introduced in, unless noted otherwise.

Release	Feature	Feature Information
Cisco IOS XE Amsterdam 17.1.1	Per-Port MTU	Per-Port MTU defines the maximum transmission unit size for frames received and transmitted on a particular port or port channel. Support for this feature was introduced on all the models of the Cisco Catalyst 9500 Series Switches

Use Cisco Feature Navigator to find information about platform and software image support. To access Cisco Feature Navigator, go to [Cisco Feature Navigator](#).



CHAPTER 7

Configuring Internal Power Supplies

- [Restrictions for Internal Power Supplies, on page 111](#)
- [Information About Internal Power Supplies, on page 111](#)
- [How to Configure Internal Power Supplies, on page 111](#)
- [Monitoring Internal Power Supplies, on page 112](#)
- [Configuration Examples for Internal Power Supplies, on page 112](#)
- [Additional References for Internal Power Supplies, on page 114](#)
- [Feature History for Internal Power Supplies, on page 114](#)

Restrictions for Internal Power Supplies

- Power Supply configuration is not supported on Cisco Catalyst 9500 Series Switches - High Performance models. Use the **show environment status** command to check the power supply status.
- For C9500-32C, the power supply with serial number starting with POG has two fans and the power supply with serial number starting with QCS has a single fan. See [Configuration Examples for Internal Power Supplies, on page 112](#).

Information About Internal Power Supplies

See the device installation guide for information about the power supplies.

How to Configure Internal Power Supplies

This section list the procedures to configure internal power supplies.

Configuring Internal Power Supply

You can use the **power supply EXEC** command to configure and manage the internal power supply on the device. The device does not support the **no power supply EXEC** command.

Follow these steps beginning in user EXEC mode:

Procedure

	Command or Action	Purpose
Step 1	<p>power supply <i>switch_number</i> slot{A B} { off on }</p> <p>Example: Device# power supply 1 slot A on</p>	<p>Sets the specified power supply to off or on by using one of these keywords:</p> <ul style="list-style-type: none"> • A: Selects the power supply in slot A. • B: Selects power supply in slot B. <p>Note Power supply slot B is the closest to the outer edge of the device.</p> <ul style="list-style-type: none"> • off: Sets the power supply off. • on: Sets the power supply on. <p>By default, the device power supply is on.</p>
Step 2	<p>show environment power</p> <p>Example: Device# show environment power</p>	Verifies your settings.

Monitoring Internal Power Supplies

Table 17: Show Commands for Power Supplies

Command	Purpose
show environment power [all switch <i>switch_number</i>]	<p>(Optional) Displays the status of the internal power supplies for the specified device.</p> <p>The device keywords are available only on stacking-capable devices.</p> <p>Note This command is not applicable to the Cisco Catalyst 9500 Series Switches - High Performance models.</p>

Configuration Examples for Internal Power Supplies

This example shows a sample output of the **show environment status** command when a power supply with serial number starting with QCS is installed on the C9500-32C switch. In this example, the second fan displays the state as N/A because the power supply with serial number starting with QCS has a single fan.

```
Device# show inventory
```

```
NAME: "Chassis", DESCR: "Cisco Catalyst 9500 Series Chassis"
PID: C9500-32C          , VID: V00  , SN: CAT2202L2M5
```



```
NAME: "Power Supply Module 1", DESCR: "Cisco Catalyst 9500 Series 1600W
AC Power Supply"
PID: C9K-PWR-1600WAC-R , VID: V01 , SN: QCS2230500J
```

```
Device# show environment status
```

```
Power                               Fan States
Supply Model No                     Type Capacity Status      0      1
-----
PS1      C9K-PWR-1600WAC-R           AC   1600 W   ok         good  N/A
```

This example shows a sample output of the **show environment status** command when a power supply with serial number starting with POG is installed on the C9500-32C switch. In this example, the second fan displays the state as good because the power supply with serial number starting with POG has a two fans.

```
Device# show inventory
```

```
NAME: "Chassis", DESCR: "Cisco Catalyst 9500 Series Chassis"
PID: C9500-32C , VID: V01 , SN: CAT2344L1N8
```

```
NAME: "Power Supply Module 0", DESCR: "Cisco Catalyst 9500 Series 1600W
AC Power Supply"
PID: C9K-PWR-1600WAC-R , VID: V01 , SN: POG2319D04K
```

```
Device# show environment status
```

```
Power                               Fan States
Supply Model No                     Type Capacity Status      0      1
-----
PS0      C9K-PWR-1600WAC-R           AC   1600 W   ok         good  good
```

This example shows how to set the power supply in slot A to off:

```
Device# power supply 1 slot A off
```

```
Disabling Power supply A may result in a power loss to PoE devices and/or switches ...
Continue? (yes/[no]): yes
```

```
Device#
```

```
Jun 10 04:52:54.389: %PLATFORM_ENV-6-FRU_PS_OIR: FRU Power Supply 1 powered off
Jun 10 04:52:56.717: %PLATFORM_ENV-1-FAN_NOT_PRESENT: Fan is not present
```

```
Device#
```

This example shows how to set the power supply in slot A to on:

```
Device# power supply 1 slot A on
```

```
Jun 10 04:54:39.600: %PLATFORM_ENV-6-FRU_PS_OIR: FRU Power Supply 1 powered on
```

This example shows the output of the **show env power** command:

Table 18: show env power Status Descriptions

Field	Description
OK	The power supply is present and power is good.
Not Present	No power supply is installed.
No Input Power	The power supply is present but there is no input power.

Field	Description
Disabled	The power supply and input power are present, but power supply is switched off by CLI.
Not Responding	The power supply is not recognizable or is faulty.
Failure-Fan	The power supply fan is faulty.

Additional References for Internal Power Supplies

Related Documentation

Related Topic	Document Title
For complete syntax and usage information for the commands used in this chapter.	<i>Command Reference (Catalyst 9500 Series Switches)</i>
For information about the power supplies.	<i>Cisco Catalyst 9500 Series Switches Hardware Installation Guide</i>

Feature History for Internal Power Supplies

This table provides release and related information for features explained in this module.

These features are available on all releases subsequent to the one they were introduced in, unless noted otherwise.

Release	Feature	Feature Information
Cisco IOS XE Everest 16.5.1a	Internal Power Supplies	The switch operates with power supply modules which could be AC, DC or both. Refer the <i>Hardware Installation Guide</i> for more details on power supply units. Support for power supply configuration was introduced only on the C9500-12Q, C9500-24Q, C9500-16X and C9500-40X models of the Cisco Catalyst 9500 Series Switches.

Use Cisco Feature Navigator to find information about platform and software image support. To access Cisco Feature Navigator, go to [Cisco Feature Navigator](#).



CHAPTER 8

Configuring USB 3.0 SSD

- [Information about USB 3.0 SSD, on page 115](#)
- [How to Configure USB 3.0 SSD, on page 116](#)
- [Monitoring USB 3.0 SSD, on page 119](#)
- [Troubleshooting Tips, on page 120](#)
- [Configuration Examples for USB 3.0 SSD, on page 123](#)
- [Feature History for USB 3.0 SSD, on page 125](#)

Information about USB 3.0 SSD

The following sections provide information about USB 3.0 SSD.

USB 3.0 SSD

In Cisco IOS XE Fuji 16.9.1, support for USB 3.0 SSD is enabled on Cisco Catalyst 9500 Series Switches. USB 3.0 SSD provides extra 120 GB storage for application hosting. Applications can be hosted in Kernel Virtual Machines (KVM), Linux Containers (LXC), or Docker containers. The storage drive can also be used to save packet captures, trace logs generated by the operating system and third-party applications. USB 3.0 SSD can be used simultaneously as a general-purpose storage device and as an application-hosting device. You must use only Cisco USB drives; non-Cisco USB drives are not supported.



Note USB 3.0 SSD cannot be used to boot images, emergency install the images, or upgrade internal flash using (software maintenance update (SMU) or **install** commands. Bootloader support for USB 3.0 SSD is not available.

USB 3.0 SSD is enabled with Self-Monitoring, Analysis and Reporting Technology (S.M.A.R.T) functionality for health monitoring of the drive. The purpose of S.M.A.R.T is to monitor the reliability of the drive and predict drive failures, and to carry out different types of drive self tests. SMART Disk Monitoring Daemon (smartd) is enabled immediately after the insertion of a USB 3.0 SSD and starts logging warnings and errors in the `/crashinfo/tracelogs/smart_errors.log`. These warnings and errors are also displayed on the console. On removing the USB 3.0 SSD, smartd stops running.

USB 3.0 SSD is supported as a field-replaceable unit (FRU) that offers flexible storage configurations. If SSD is used initially on a PC, the default partition on USB 3.0 SSD is created by the PC supporting all the file systems. If SSD is used initially on the switch, one partition of the drive is created to support EXT4 file system.

File System on USB 3.0 SSD

USB 3.0 SSD is shipped as a raw device. When the device boots up, Cisco IOS software creates a partition with EXT4 as the default file system. However, the device supports all EXT-based file systems such as EXT2, EXT3, and EXT4. Non-EXT based file systems such as VFAT, NTFS, LVM, and so on are not supported.

The following file system operations are supported on the drive:

- Read
- Write
- Delete
- Copy
- Format

Password Authentication on USB 3.0 SSD

To protect the drive from unauthorized access, you must enable security on USB 3.0 SSD by setting a user password. A USB 3.0 SSD supports the following security states:

- Security disabled: User password has not been configured on the drive. This is the out-of-box state which is the default for any new drive.
- Security enabled: User password has been configured on the drive.
- Locked: Security is enabled and the drive is inaccessible.
- Unlocked: Security is enabled or disabled, but the drive is accessible.

You can configure password authentication using the CLI as well as programmable NETCONF/YANG method.

How to Configure USB 3.0 SSD

The following sections provide information about configuring USB 3.0 SSD:

Formatting USB 3.0 SSD

Use the **format usbflash1: { ext2 | ext3 | ext4 | secure }** command to format the EXT file systems or the entire drive.

To format the USB 3.0 SSD drive in a device stack, use the **format usbflash1-switch_num: { ext2 | ext3 | ext4 | secure }** command.

Unmounting USB 3.0 SSD from a Switch or a Switch Stack

To safely remove the USB 3.0 SSD from a switch or a switch stack, use the **hw-module switch <switch_num> usbflash1 unmount** command in privileged EXEC mode. This command unmounts the filesystem created

upon insertion, and notifies the system to complete pending read or write operations, if any, to safely remove the drive from the switch.

```
Device# hw-module switch 1 usbflash1 unmount
```

```
*Jan 5 22:21:32.723: %IOSXE-0-PLATFORM: Switch 1 R0/0: SSD_UNMOUNT_LOG: usbflash1:
has been unmounted. All the usbflash1 entries in IOS will now be cleared until the SSD
is plugged back into the switch.
```

```
*Jan 5 22:21:32.729: %IOSD_INFRA-6-IFS_DEVICE_OIR: Device usbflash1 removed
```

After you run this command, you will not be able to access the USB anymore. To use the USB again reinsert it into the switch.

If you run the **hw-module switch <switch_num> usbflash1 unmount** command on a switch or switch stack without inserting the USB, the following error message is displayed.

```
Device# hw-module switch 1 usbflash1 unmount
```

```
*Jun 20 22:50:40.321:
ERROR: USB Not Present in this Slot 1
```

Enabling Password Security on USB 3.0 SSD

The password authentication feature enables you to configure security on a USB 3.0 SSD in order to protect the drive from unauthorized access and associated risks. To enable security on a USB 3.0 SSD, follow these steps to set a password on the drive.

Procedure

	Command or Action	Purpose
Step 1	enable Example: Device> enable	Enables privileged EXEC mode. Enter your password, if prompted.
Step 2	hw-module switch switch-number usbflash1 security enable password usb-password Example: Device# hw-module switch 1 usbflash1 security enable password 1234	Configures a user-defined password on the USB 3.0 SSD. Note Password security will take effect only after after Online Insertion and Removal (OIR) of the USB or a switch reload.

After Online Insertion and Removal (OIR) of the USB or a switch reload, the USB will be in *Enabled and Locked* state. To unlock and access the USB, you must configure the switch to use the USB 3.0 SSD password that you create in this task.

What to do next

To configure the USB 3.0 SSD password on the switch, see [Configuring USB 3.0 SSD Password on a Switch, on page 118](#).

Configuring USB 3.0 SSD Password on a Switch

To access a password protected USB 3.0 SSD using a switch, you must configure the same USB 3.0 SSD password on the switch. USB 3.0 SSD will be in locked state after a switch reset or OIR of the drive. To unlock and access the drive, the switch prompts you to enter the USB 3.0 SSD password saved on the switch. This procedure saves the password to the running configuration on the switch in type-6 encryption format.

Using the Encrypted Preshared Key feature, you can securely store plain text passwords in type-6 format in NVRAM using the command-line interface (CLI). Type-6 passwords are encrypted. Although the encrypted passwords can be seen or retrieved, it is difficult to decrypt them to find out the actual password.

Procedure

	Command or Action	Purpose
Step 1	enable Example: Device> enable	Enables privileged EXEC mode. Enter your password, if prompted.
Step 2	configure terminal Example: Device# configure terminal	Enters global configuration mode.
Step 3	(Optional) key config-key password-encrypt password Example: Device(config)# key config-key password-encrypt 123456789	Configures the master key on the switch. The password configured using this command is the master encryption key that is used to encrypt all the other keys in the switch. Note Skip this step if you have already configured the master key on the switch.
Step 4	[no] hw-module switch switch-number usbflash1-password usb-password Example: Device(config)# hw-module switch 1 usbflash1-password 1234	Note Ensure the password matches the one that you have configured on the USB 3.0 SSD to enable security. Encrypts the password internally using type-6 encryption. Use the no form of the command to remove the USB 3.0 SSD password from the running configuration of the switch.
Step 5	end Example: Device(config)# end	Exits global configuration mode, and returns to privileged EXEC mode.

Unlocking USB 3.0 SSD

Follow these steps to unlock a USB 3.0 SSD:

Procedure

	Command or Action	Purpose
Step 1	enable Example: Device> enable	Enables privileged EXEC mode. Enter your password, if prompted.
Step 2	hw-module switch <i>switch-number</i> usbflash1 security unlock password <i>usb-password</i> Example: Device# hw-module switch 1 usbflash1 security unlock password 1234	Unlocks the drive and makes the drive available for temporary access. Note that password security is still enabled on the drive and if you insert the drive on any other switch, the drive will be in locked state.

Disabling Password Security on USB 3.0 SSD

Follow these steps to disable security or to change the password configured on a USB 3.0 SSD.

Procedure

	Command or Action	Purpose
Step 1	enable Example: Device> enable	Enables privileged EXEC mode. Enter your password, if prompted.
Step 2	hw-module switch <i>switch-number</i> usbflash1 security disable password <i>usb-password</i> Example: Device# hw-module switch 1 usbflash1 security disable password 1234	Disables security on USB 3.0 SSD and makes the drive accessible. You do not have to reload the switch or perform OIR of the drive for the changes to take effect. Note On a switch stack, enter the switch number of the switch on which you have inserted the USB 3.0 SSD.

Monitoring USB 3.0 SSD

You can view the contents of the USB 3.0 SSD before working on its contents. For example, before copying a new configuration file, you might want to verify that the filesystem does not already contain a configuration file with the same name. To display information about files on a filesystem, use one of the privileged EXEC commands listed in the following table:

Table 19: Commands to Display Files on a Filesystem

Command Name	Description
dir usbflash1:	Displays the list of files on the USB flash filesystem on an active switch. To access flash partitions of a standby switch or the device members in a stack, use usbflash1-n where <i>n</i> , is the standby switch number or the stack member number.
dir usbflash1-switch_num:	Displays the list of files on the filesystem in a stack setup.
dir stby-usbflash1:	Displays the list of files on the filesystem on the standby switch in a stack setup.
show usbflash1: filesystem	Displays more information about the filesystem.
show inventory	Displays the physical inventory information for the USB hardware. After multiple switchovers, the show inventory command output might display the USB flash filesystem (usbflash1) for the active switch with the switch number. Note The show inventory command displays "usbflash1" in the output only when the device is in "Disabled and Unlocked" state or "Enabled and Unlocked" state.
more file-url	Displays the logs with SMART errors and overall health of the drive.
show hw-module usbflash1 security status	Displays USB 3.0 SSD authentication status.

Troubleshooting Tips

The following sections provide troubleshooting tips:

Troubleshooting USB 3.0 SSD Insertion and Removal

Table 20: Errors and Troubleshooting

Error That You May Encounter	Troubleshooting
USB3.0 SSD not detected after insertion	<ul style="list-style-type: none"> • Check if you are using a Cisco USB 3.0 SSD. If not, remove the drive from the device, and replace it with a Cisco USB 3.0 SSD. • If you are using a Cisco USB 3.0 SSD and the system is unable to detect the drive, remove and reinsert the USB 3.0 SSD. If it continues to fail, the USB might be defective.
<p>Error messages displayed on the console after removing USB 3.0 SSD:</p> <pre>*Mar 20 00:48:16.353: %IOSXE-4-PLATFORM: Switch 1 R0/0: kernel: xhci_hcd 0000:00:14.0: Cannot set link state. *Mar 20 00:48:16.353: %IOSXE-3-PLATFORM: Switch 1 R0/0: kernel: usb usb4-port1: cannot disable (err = -32) *May 10 01:12:49.603: %IOSXE-3-PLATFORM: Switch 3 R0/0: kernel: JBD2: Error -5 detected when updating journal superblock for sdal-8.</pre>	Remove the USB 3.0 SSD from the device after running the unmount command. For more information, see Unmounting USB 3.0 SSD from a Switch or a Switch Stack, on page 116 .
<p>Error message displayed on the console on inserting a non-Cisco USB 3.0 SSD:</p> <pre>%IOSXEBOOT-4-SSD_MOUNT_LOG: (local/local): ***INFO: Not a CISCO SSD - Cannot be used***</pre>	Remove the USB from the device, and replace it with a Cisco USB 3.0 SSD.

Troubleshooting Password Authentication

Table 21: Errors and Troubleshooting

Error That You May Encounter	Troubleshooting
USB3.0 SSD not detected after insertion	<p>Run the show hw-module usbflash1 security status command and check for USB Authentication Status fields in the output. If the USB Authentication Status field in the output displays Enabled and Locked, perform one of the following:</p> <ul style="list-style-type: none"> • Unlock the drive temporarily using the hw-module switch 1 switch-number usbflash1 security unlock password usb-password command. • Configuring USB 3.0 SSD Password on a Switch, on page 118 • Configure USB 3.0 SSD password on the switch. See .
<p>USB 3.0 SSD password does not match the password saved in the running configuration of the switch. The switch displays the following error messages:</p> <pre>*Oct 19 19:32:04.094: %IOSD_INFRA-6-IFS_DEVICE_OIR: Device usbflash1 added *Oct 19 19:32:04.138: Warning: Configured password on SWITCH does not match with that on DRIVE. Please remove password from SWITCH first and then from DRIVE to re-configure.</pre>	<p>Perform the following:</p> <ul style="list-style-type: none"> • Remove the password from the switch and reconfigure the switch to use the correct password. See Configuring USB 3.0 SSD Password on a Switch, on page 118.
<p>USB 3.0 SSD without a password inserted on a switch that has the drive password configured. An attempt to unlock the disk using the password configured on the switch fails and the switch displays the following messages:</p> <pre>*Dec 14 00:01:00.374: %IOSD_INFRA-6-IFS_DEVICE_OIR: Device usbflash1 added *Dec 14 00:01:00.430: ERROR: No password configured on DRIVE. Remove password from SWITCH to re-configure.</pre>	<p>Perform the following steps:</p> <ol style="list-style-type: none"> 1. Enable security on the drive USB 3.0 SSD. See Enabling Password Security on USB 3.0 SSD, on page 117. 2. Reconfigure the password on the switch. See Configuring USB 3.0 SSD Password on a Switch, on page 118.

Error That You May Encounter	Troubleshooting
<p>USB 3.0 SSD configured with a password inserted on a switch that does not have the drive password configured. An attempt to unlock the disk fails and the switch displays the following messages:</p> <pre>*Oct 19 19:36:18.003: %IOSD_INFRA-6-IFS_DEVICE_OIR: Device usbflash1 added *Oct 19 19:36:18.028: Warning: No password configured on SWITCH. Remove password from DRIVE to re-configure</pre>	<p>Do one of the following:</p> <ul style="list-style-type: none"> • Disable the password configured on the drive. See Disabling Password Security on USB 3.0 SSD, on page 119. • Configure password on the switch. See Configuring USB 3.0 SSD Password on a Switch, on page 118.
<p>A USB 3.0 SSD in Disabled and locked state indicates that the USB drive has become unusable because of corrupted hardware.</p>	<p>To unlock and enable the drive, contact TAC.</p>

Configuration Examples for USB 3.0 SSD

The following sections provide configuration examples for USB 3.0 SSD:

Example: Displaying USB 3.0 SSD Authentication Status

This example shows the USB 3.0 SSD authentication status on a switch stack with 4 switches.

```
Device# show hw-module usbflash1 security status
```

```
Device#   USB Authentication           Status
-----
1         USB Not Present                     USB 3.0 is not present
2         Disabled and Unlocked               Security is disabled & the drive in unlocked state
(Default state if USB is present)
3         Enabled and Locked                  Security Enabled and the drive in locked state
4         Enabled and Unlocked               Security Enabled and the drive in unlocked state
```

When the drive is in *Enabled and Unlocked* or *Disabled and Unlocked* state, you can format a drive and perform normal file system operations like read, write, delete, and copy.

Examples: Verifying the Filesystem

The following example displays the output of the **dir usbflash1:/** command in privileged EXEC mode:

```
Device# dir usbflash1:
```

```
Directory of usbflash1:/
11 drwx          16384   Oct 9 2015 01:49:18 +00:00  lost+found
3145729 drwx           4096   Oct 9 2015 04:10:41 +00:00  test
118014062592 bytes total (111933120512 bytes free)
```

The following example displays the output of the **dir usbflash1:switch_num:** command in a device stack:

```
Device# dir usbflash1-2:
Directory of usbflash1-2:/
```

```
11 drwx 16384 Jun 8 2018 21:35:39 +00:00 lost+found
118014083072 bytes total (111933390848 bytes free)
```

Alternately, you can use the **dir stby-usbflash1:** command to access the file system on a standby device:

```
Device# dir stby-usbflash1:
```

```
Directory of usbflash1-3:/
11 drwx      16384  May 16 2018 23:32:43 +00:00  lost+found
118014083072 bytes total (110358429696 bytes free)
```

To display the file system information for usbflash1, use the **show usbflash1: filesystem** command in privileged EXEC mode:

```
Device# show usbflash1: filesystem
```

```
Filesystem: usbflash1
Filesystem Path: /vol/usb1
Filesystem Type: ext4
```

Examples: Verifying Physical Inventory Information

To display the physical inventory information for USB 3.0 SSD hardware, use the **show inventory** command:

```
Device# show inventory
```

```
NAME: "usbflash1", DESCR: "usbflash1"
PID: SSD-240G      , VID: STP21460FN9, SN: V01
```

The following is a sample output of the **show inventory** command in a device stack:

```
Device# show inventory
```

```
NAME: "usbflash1", DESCR: "usbflash1"
PID: SSD-240G      , VID: STP21460FN9, SN: V01
```

```
NAME: "usbflash1-3", DESCR: "usbflash1-3"
PID: SSD-240G      , VID: STP21310001, SN: V01
```

Examples: Verifying the Health of the Drive

To check the overall health of the drive, use the **more flash:smart_overall_health.log** command in privileged EXEC mode:

```
Device# more flash:smart_overall_health.log
```

```
=== START OF READ SMART DATA SECTION ===
SMART overall-health self-assessment test result: PASSED
```

To check the health error logs, use the **more crashinfo:tracelogs/smart_errors.log** command in privileged EXEC mode:

```
Device# more crashinfo:tracelogs/smart_errors.log
```

```
%IOSXEBOOT-4-SMART_LOG: (local/local): Mon Jan 4 00:13:10 Universal 2016 INFO: Starting
SMART daemon
```



Note The system might display warnings in the `smart_errors.log`. You can ignore these if the overall health self assessment in the `flash/smart_overall_health.log` displays `PASSED`.

Feature History for USB 3.0 SSD

This table provides release and related information for features explained in this module.

These features are available on all releases subsequent to the one they were introduced in, unless noted otherwise.

Release	Feature	Feature Information
Cisco IOS XE Fuji 16.9.1	USB 3.0 SSD	<p>USB 3.0 SSD provides extra 120 GB storage to be used as a general-purpose storage device and as an application-hosting device.</p> <p>Support for this feature was introduced only on the C9500-12Q, C9500-16X, C9500-24Q, C9500-40X models of the Cisco Catalyst 9500 Series Switches.</p>
Cisco IOS XE Gibraltar 16.10.1	Password authentication	<p>Password authentication feature enables you set a password on the USB 3.0 SSD device in order to protect the drive from unauthorized access and associated risks.</p>

Use Cisco Feature Navigator to find information about platform and software image support. To access Cisco Feature Navigator, go to [Cisco Feature Navigator](#).



CHAPTER 9

Configuring an External USB Bluetooth Dongle

- [Restrictions for Configuring an External USB Bluetooth Dongle](#) , on page 127
- [Information About External USB Bluetooth Dongle](#), on page 127
- [How to Configure an External USB Bluetooth Dongle on a Switch](#), on page 128
- [Verifying Bluetooth Settings on a Device](#), on page 129
- [Feature History for Configuring an External Bluetooth Dongle](#), on page 129

Restrictions for Configuring an External USB Bluetooth Dongle

- Only Bluetooth version 4.0 is supported.
- External USB Bluetooth dongle is supported only on the Cisco Catalyst 9000 Series Switches that are configured within the IPv4 address range.
- In stacking mode, the external USB Bluetooth dongle needs to be enabled on an active switch.
- After a Stateful Switchover (SSO), the external USB Bluetooth dongle should be enabled on the new active switch interface.
- External USB Bluetooth dongle is not supported with the following configurations:
 - Quality of Service (QoS)
 - Access Control List (ACL)

Information About External USB Bluetooth Dongle

The connected external USB Bluetooth dongle acts as a Bluetooth host for external devices and serves as a management port on the switch. You can pair an external USB Bluetooth dongle with your Bluetooth-enabled external devices such as smart phone, laptop, or tablet.

External USB Bluetooth dongle is supported on switches that are configured both in standalone mode or in stacking mode.

Supported External USB Bluetooth Dongle

The following external USB Bluetooth dongles are supported:

- BTD-400 Bluetooth 4.0 Adapter by Kinivo
- Bluetooth 4.0 USB Adapter by Asus
- Mini Bluetooth Wireless USB 4.0 Dongle Adapter by Adnet
- Bluetooth 4.0 USB Adapter by Insignia

How to Configure an External USB Bluetooth Dongle on a Switch

To configure an external USB Bluetooth dongle on a switch, perform this procedure:

Procedure

-
- Step 1** Connect an external USB Bluetooth dongle to the USB Type A port on the switch.
- Note** You can connect the external USB Bluetooth dongle either before powering up the device or when the device is running.
- Step 2** On your switch, enter the global configuration mode and verify that the external USB Bluetooth dongle is connected to the switch:
- ```
Device> enable
Device# show platform hardware bluetooth

Controller:0:1a:7d:da:71:13
Type:Primary
Bus:USB
State:DOWN
Name:HCI Version:
```
- Step 3** Enable Bluetooth interface using the **enable** command in interface configuration mode:
- ```
Device# configure terminal
Device(config)# interface bluetooth 0/4
Device(config-if)# enable
```
- Step 4** Enter the **no shutdown** command to restart the Bluetooth interface automatically after a device reboot:
- ```
Device(config-if)# no shutdown
```
- Step 5** Configure the pairing pin using the **bluetooth pin** *pin* command:
- ```
Device(config-if)# bluetooth pin 1111

or

Device(config-if)# exit
Device(config)# bluetooth pin 1111
```
- Note** Cisco recommends using **bluetooth pin** command in global configuration mode.
- Step 6** Turn on the Bluetooth settings on your external device. On your external device, select the Bluetooth-enabled switch based on the hostname.
- Step 7** Enable the network settings on your external device to allow it to connect to the internet.
-

Verifying Bluetooth Settings on a Device

This topic lists the commands used to monitor Bluetooth settings on a device.

Use the following commands in privileged EXEC mode to monitor Bluetooth settings.

Table 22: Commands to Monitor Bluetooth Settings on a Device

Command	Purpose
<code>show ip interface bluetooth 0/4</code>	Displays the usability status of a Bluetooth interface.
<code>show platform hardware bluetooth</code>	Displays information about a Bluetooth interface.
<code>show running include pin</code>	Displays the current Bluetooth pin.

Feature History for Configuring an External Bluetooth Dongle

This table provides release and related information for features explained in this module.

These features are available on all releases subsequent to the one they were introduced in, unless noted otherwise.

Release	Feature	Feature Information
Cisco IOS XE Gibraltar 16.12.1	Configuring an External Bluetooth Dongle	External USB Bluetooth dongle acts as a Bluetooth host for external devices and serves as a management port on the switch. Support for this feature was introduced only on the C9500-12Q, C9500-16X, C9500-24Q, C9500-40X models of the Cisco Catalyst 9500 Series Switches.
Cisco IOS XE Amsterdam 17.1.1	Configuring an External Bluetooth Dongle	External USB Bluetooth dongle acts as a Bluetooth host for external devices and serves as a management port on the switch. Support for this feature was introduced on the C9500-32C, C9500-32QC, C9500-48Y4C, and C9500-24Y4C models of the Cisco Catalyst 9500 Series Switches.

Use Cisco Feature Navigator to find information about platform and software image support. To access Cisco Feature Navigator, go to [Cisco Feature Navigator](#).



CHAPTER 10

M2 SATA Module

- [M2 SATA Module on Cisco Catalyst 9500 Series High Performance and 9500X Switches](#), on page 131
- [File System and Storage on M2 SATA](#), on page 132
- [Limitations of M2 SATA](#), on page 132
- [Self-Monitoring, Analysis and Reporting Technology System \(S.M.A.R.T.\) Health Monitoring](#), on page 133
- [Accessing File System on M2 SATA](#) , on page 133
- [Formatting the M2 SATA Flash Disk](#) , on page 133
- [Operations on the SATA Module](#) , on page 134
- [Feature History for M2 SATA Module](#), on page 136

M2 SATA Module on Cisco Catalyst 9500 Series High Performance and 9500X Switches

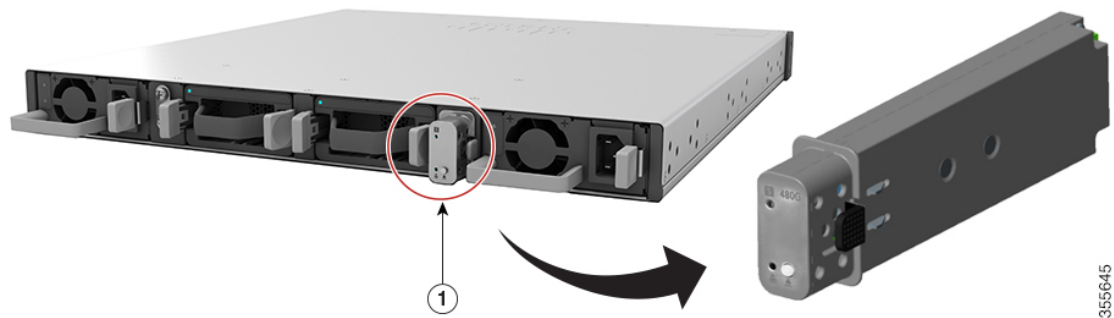
To support the storage needs on the switch, the Cisco Catalyst 9500 Series High Performance Switches support pluggable Serial Advanced Technology Attachment (SATA) Solid State Drive (SSD) module. The SATA SSD module slot is located on the rear panel of the switch.

The SATA module is a Field Replaceable Unit (FRU). A hot-swap button on the rear panel of the switch initiates the removal of the SATA module. For more information on inserting and removing the SSD SATA module, refer the *Cisco Catalyst 9500 Series Switch Installation Guide*.

The SSD module storage capacity ranges are 240GB, 480GB and 960GB. SATA SSD mainly provides storage for application hosting. Applications can be hosted on Kernel Virtual Machines (KVM), Linux containers or Docker Containers. SATA SSD module can also be used to store software generated packet captures and trace logs.

Figure 5: SATA Module on the Rear Panel of Cisco Catalyst 9500 Series High Performance Switches

This figure displays the SATA module on the rear panel of the switch.



File System and Storage on M2 SATA

The default file system format of SATA is EXT4. However, SATA supports all extended file systems-EXT2, EXT3, and EXT4.

The SATA device has the following characteristics:

- Files stored on the M2 SATA partition are compatible with files stored on other devices.
- You can copy or store files between M2 SATA and other types of devices such as USB, eUSB, flash, and other IOS-XE file-system or storage.
- You can also read, write, delete, and format the SATA device.

You can check the type of current file system using the **show disk0: filesystems** command:

```
Device# show disk0: filesystems

Filesystem: disk0
Filesystem Path: /vol/disk0
Filesystem Type: ext3
Mounted: Read/Write
```

Limitations of M2 SATA

- Non-EXT based file systems are not supported on M2 SATA.
- You cannot use M2 SATA to boot images from ROMMON.
- You cannot upgrade the firmware on the M2 SATA drive.
- M2 SATA is supported only on Cisco Catalyst 9500 Series Switches - High Performance and Cisco Catalyst 9500X Series Switches.

Self-Monitoring, Analysis and Reporting Technology System (S.M.A.R.T.) Health Monitoring

Cisco Catalyst IOS XE Release 16.9.1 gives you the ability to monitor the health of the device through CLIs. You can monitor internal hot-spots, flash wear-outs, and hardware failure of the SATA device and alert your users about a SATA failure. These users can then backup data and obtain a new SATA device.

A linux daemon smartd starts when the SATA is inserted into the Switch. By default, the polling interval is set to 2 days for offline test, 6 days for short test and 14 days for long test. The warnings and error messages are saved in /crashinfo/tracelogs/smart_errors.log and are also sent to the IOSd console.

The S.M.A.R.T. feature and smartd daemon are enabled by default when the SATA device is detected by the switch.



Note If the SATA is not detected after insertion, check the existing file system on the device. If it is not EXT based, SATA will not be detected. In that case, change the filesystem to EXT and reinsert the SATA.

The following CLI shows the logs from the smartd daemon:

```
Device# more crashinfo:tracelogs/smart_errors.log
%IOSXEBOOT-4-SMART_LOG: (local/local): Mon Jan 4 00:13:10 Universal 2016
INFO: Starting SMART deamon
```

You can monitor the overall health of the device through the following CLI:

```
Device# more flash:smart_overall_health.log
smartctl 6.4 2015-06-04 r4109 [x86_64-linux-4.4.131] (local build)
Copyright (C) 2002-15, Bruce Allen, Christian Franke, www.smartmontools.org

=== START OF READ SMART DATA SECTION ===
SMART overall-health self-assessment test result: PASSED
```

Accessing File System on M2 SATA

The mounted file system from the SATA flash card is accessed at disk0:. Use the **show file systems** command to view the details of each type of available file system.

Copying files to and from bootflash: or usbflash0: is supported.

Formatting the M2 SATA Flash Disk

To format a new flash disk, use the **format disk0:** command.

The format command recursively deletes all files on the device. This command fails if any file is open during its execution.

```
Device# format disk0: ?
<cr> <cr>
      ext2      ext2 filesystem type
      ext3      ext3 filesystem type
```

```

    ext4    ext4 filesystem type
    secure  Securely format the file system
<cr> <cr>

Device# format disk0:
Format operation may take a while. Continue? [confirm]
Format operation will destroy all data in "disk0:". Continue? [confirm] Format of disk0:
complete

```

Operations on the SATA Module

The following are some of the operations that you can perform on the SATA:

Command	Description
dir <i>filesystem</i>	Displays the directories on the specified file system.
copy <i>source-file destination-url</i>	Copies files from specified source to a specified destination.
delete	Deletes a specified file
format	Formats the filesystem on the disk.
show disk0:	Displays the content and details of disk0:
show file information <i>file-url</i>	Displays information about a specific file.
show file systems	Displays the available file system on your device.
show inventory	Displays the details of the existing modules on the device.

Following are sample outputs of the operations:

```

Device# dir disk0:
Directory of disk0:/
  11  drwx           16384  May 11 2018 16:06:14 +00:00  lost+found
 10747905  drwx           4096  May 25 2018 13:03:43 +00:00  test
236154740736 bytes total (224072925184 bytes free)

```

Copy a file from the disk0: to USB

```

Device# copy disk0:test.txt usbflash0:
Destination filename [test.txt]?
Copy in progress...C
17866 bytes copied in 0.096 secs (186104 bytes/sec)

Device# dir usbflash0:
Directory of usbflash0:/
  12  -rw-           33554432  Jul 28 2017 10:12:58 +00:00  nvram_config
  11  drwx           16384  Jul 28 2017 10:09:46 +00:00  lost+found
  13  -rw-           17866  Aug 11 2017 09:52:16 +00:00  test.txt
189628416 bytes total (145387520 bytes free)

```

Delete the file test.txt from disk0:

```

Device# delete disk0:test.txt
Delete filename [test.txt]?
Delete disk0:/test.txt? [confirm]

```

```
Device# dir disk0:
Directory of disk0:/
No files in directory
118148280320 bytes total (112084135936 bytes free)
```

Copy file test.txt from USB to disk0:

```
Device# copy usbflash0:test.txt disk0:
Destination filename [test.txt]?
Copy in progress...C
17866 bytes copied in 0.058 secs (308034 bytes/sec)
```

```
Device# dir disk0:
Directory of disk0:/
  11  -rw-                17866  Aug 11 2017 09:53:03 +00:00  test.txt
118148280320 bytes total (112084115456 bytes free)
```

Format the disk

To format the ext4 filesystem, use the following command:

```
Device# format disk0: ext4
```

Show commands

```
Device# show disk0:
```

```
##- --length-- -----date/time----- path
  2      17866 Aug 11 2017 09:54:06.0000000000 +00:00 test.txt
112084115456 bytes available (62513152 bytes used)
```

```
Device# show file information disk0: test.txt
```

```
disk0:test.txt:
  type is image (elf64) []
  file size is 448 bytes, run size is 448 bytes
Foreign image, entry point 0x400610
```

```
Device# show file systems
```

File Systems:

	Size (b)	Free (b)	Type	Flags	Prefixes
-	-	-	-	-	-
* 11250098176	9694093312		disk	rw	bootflash: flash:
1651314688	1232220160		disk	rw	crashinfo:
118148280320	112084115456		disk	rw	disk0:
189628416	145387520		disk	rw	usbflash0:
7763918848	7696850944		disk	ro	webui:
-	-	-	opaque	rw	null:
-	-	-	opaque	ro	tar:
-	-	-	network	rw	tftp:
33554432	33532852		nvrn	rw	nvrn:
-	-	-	opaque	wo	syslog:
-	-	-	network	rw	rcp:
-	-	-	network	rw	http:
-	-	-	network	rw	ftp:
-	-	-	network	rw	scp:
-	-	-	network	rw	https:
-	-	-	opaque	ro	cns:

```
Device# show disk0: fileys
```

```
Filesystem: disk0
Filesystem Path: /vol/disk0
```

```

Filesystem Type: ext4
Mounted: Read/Write

Device# show inventory

NAME: "Power Supply Module 1", DESCR: "Cisco Catalyst 9500 Series 650W AC Power Supply"
PID: C9K-PWR-650WAC-R , VID: V00 , SN: DCI2136201N
NAME: "Fan Tray 0", DESCR: "Cisco Catalyst 9500 Series Fan Tray"
PID: C9K-T1-FANTRAY , VID: , SN:
NAME: "Fan Tray 1", DESCR: "Cisco Catalyst 9500 Series Fan Tray"
PID: C9K-T1-FANTRAY , VID: , SN:
NAME: "Slot 1 Supervisor", DESCR: "Cisco Catalyst 9500 Series Router"
PID: C9500-32QC , VID: V00 , SN: CAT2148L16K
NAME: "SATA disk", DESCR: "disk0 Drive"
PID: C9K-F1-SSD-960G , VID: V00 , SN: CAT2148L0D2

```

Feature History for M2 SATA Module

This table provides release and related information for features explained in this module.

These features are available on all releases subsequent to the one they were introduced in, unless noted otherwise.

Release	Feature	Feature Information
Cisco IOS XE Fuji 16.9.1	M2 SATA Module	This feature is introduced on Cisco Catalyst 9500 Series High Performance Switches.
Cisco IOS XE Cupertino 17.7.1	M2 SATA Module	This feature is introduced on 9500X-28C8D model of Cisco Catalyst 9500 Series Switches.

Use Cisco Feature Navigator to find information about platform and software image support. To access Cisco Feature Navigator, go to [Cisco Feature Navigator](#).



CHAPTER 11

Troubleshooting Interface and Hardware Components

- [Overview, on page 137](#)
- [Support Articles, on page 137](#)
- [Feedback Request, on page 138](#)
- [Disclaimer and Caution, on page 138](#)

Overview

This chapter provides links to documents authored by Cisco subject matter experts (SMEs). They aim to help you resolve technical issues without requiring a support ticket. If these documents are unable to resolve your issue, we recommend visiting the applicable [Cisco Community](#). There is a wealth of information and advice available from fellow Cisco customers who may have experienced this issue already and provided a solution. If you are not able to find a resolution on the Community, it may be best that you raise a support ticket at [Cisco Support](#). In cases where a support ticket has to be raised, these documents provide guidance about the data that should be collected and added to the support ticket. Specify the support document you referred, and TAC can create an improvement request with the document owner.

Support Articles

The documents in this section were created using specific software and hardware listed in the Components Used section of each article. However, this does not mean that they are limited to what is listed in Components Used, and generally remain relevant for later versions of software and hardware. Note that there could be some changes in the software or hardware that can cause commands to stop working, the syntax to change, or GUIs and CLIs to look different from one release to another.

The following are the support articles associated with this technology:

Document	Description
Troubleshoot MTU on Catalyst 9000 Series Switches	This document describes how to understand and troubleshoot MTU (Maximum Transmission Unit) on Catalyst 9000 series switches.

Document	Description
Troubleshoot Port Flaps on Catalyst 9000 Series Switches	This document describes how to identify, collect useful logs, and troubleshoot problems that can occur with Port Flaps on Catalyst 9000 switches.

Feedback Request

Your input helps. A key aspect to improving these support documents is customer feedback. Note that these documents are owned and maintained by multiple teams within Cisco. If you find an issue specific to the document (unclear, confusing, information missing, etc):

- Provide feedback using the **Feedback** button located at the right panel of the corresponding article. The document owner will be notified, and will either update the article, or flag it for removal.
- Include information regarding the section, area, or issue you had with the document and what could be improved. Provide as much detail as possible.

Disclaimer and Caution

The information in this document was created from the devices in a specific lab environment. All of the devices used in this document started with a cleared (default) configuration. If your network is live, ensure that you understand the potential impact of any command.