



## **C9K-PWR-650WAC-R Power Supply Module Installation Note**

<a href="#">About 650W AC Alternate PSU on C9500</a>	<b>2</b>
<a href="#">Warranty</a>	<b>2</b>
<a href="#">Technical Specifications</a>	<b>2</b>
<a href="#">Key Differences</a>	<b>2</b>
<a href="#">Installing or Replacing an AC Power Supply</a>	<b>3</b>
<a href="#">Contact Cisco</a>	<b>5</b>

Revised: February 27, 2024

## About 650W AC Alternate PSU on C9500

An alternate 650W AC Power Supply Unit (PSU) which has similar specification as the existing C9K-PWR-650WAC-R has been developed for Cisco Catalyst 9500 Series Switches. This alternate PSU has been fully tested and qualified with Cisco Catalyst 9500 Series Switches that support 650W AC PSU. This PSU will have the same Product ID (PID) as the existing C9K-PWR-650WAC-R.

Please see below for details of this PSU, including technical specifications and warranty information.

## Warranty

This PSU will be covered by the Cisco's standard warranty terms.

## Technical Specifications

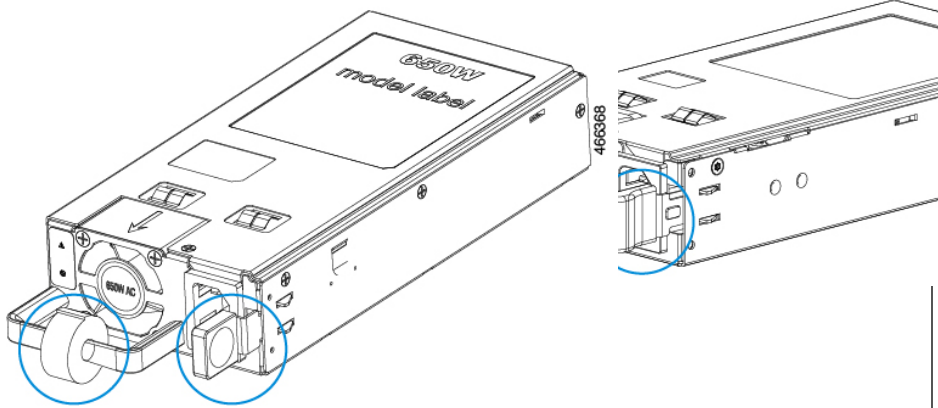
**Table 1: Technical Specifications of the Alternate Power Supply Unit**

Characteristic	Specification
AC input voltage	Nominal range: 100 and 240 VAC (Range: 90-132 VAC, 180-264 VAC)
AC input frequency	Nominal range: 50 to 60 Hz (Range: 47-63 Hz)
Maximum AC input current	7.6 A at 90 - 132 VAC, 3.65 A at 180 - 264 VAC
Maximum input volt Amperes	760 VA at 100 VAC
Maximum output power per power supply	650 W
Maximum in-rush current	11 A (sub-cycle duration)
Maximum hold-up time	12 ms at 650 W
Power supply output voltage	12 VDC
Power supply standby voltage	12 VDC
Efficiency rating	Climate Savers Platinum Efficiency (80Plus Platinum certified)
Form factor	RSP1

## Key Differences

**Table 2: Key Differences Between Original and Alternate Power Supply Units**

Criteria	Original PSU	Alternate PSU
IEC-61000-4-5 surge	4KV CM, 2KV DM	2.5KV CM, 1KV DM

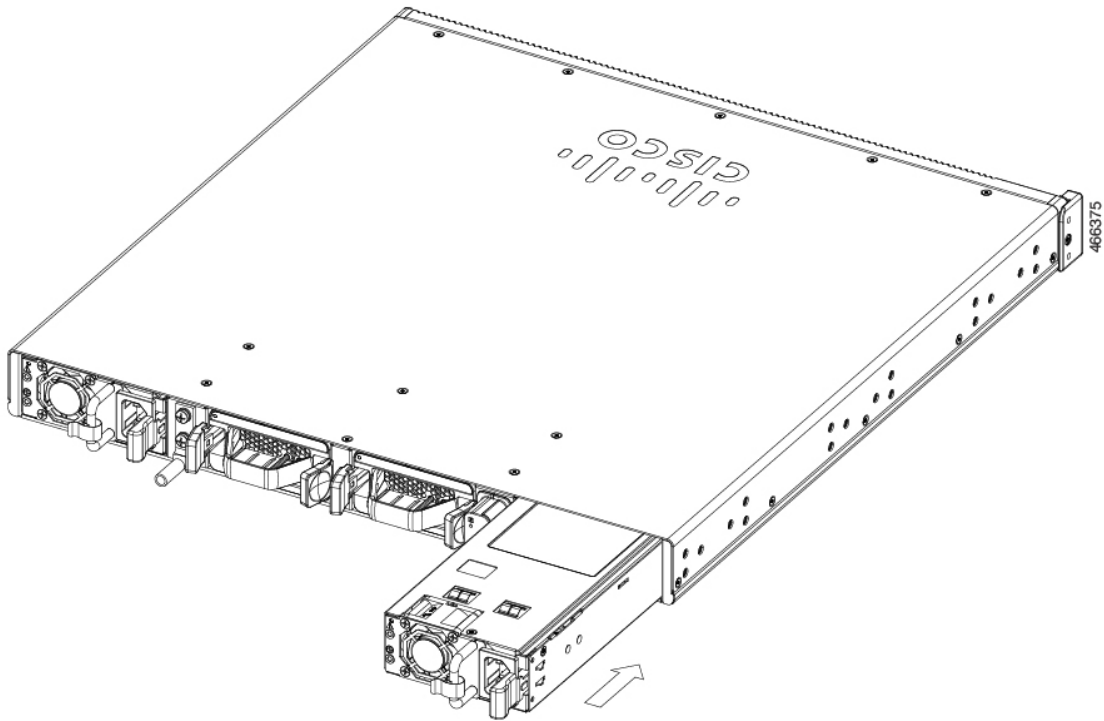
Criteria	Original PSU	Alternate PSU
AC line hold-up time	>=20ms@90% load	>=12ms@100% load
OPP (Over Power Protection)	130% x rated load	140% x rated load
Handle/latch		
Color	Handle/latch: CISCO MEDIUM GRAY	Handle: BLACK Latch: CISCO BURGUNDY

## Installing or Replacing an AC Power Supply

### Procedure

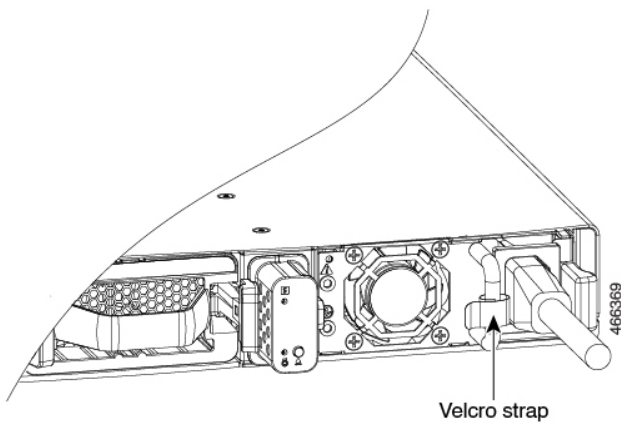
- 
- Step 1** Turn off the power at its source.
- Step 2** Release the power cord from velcro strap.
- Step 3** Remove the power cord from the power connector.
- Step 4** Press the release latch at the right side of the power supply module inward and slide the power supply out.
- Caution** Do not leave the power-supply slot open for more than 90 seconds while the switch is operating.
- Step 5** Insert the new power supply into the power-supply slot, and gently push it into the slot. When inserted correctly, the 650 W power supply is flush with the switch rear panel.

**Figure 1: Inserting the Power Supply into the Switch**



- Step 6** Connect the power cord to the power supply and to an AC power outlet.
- Step 7** (Optional) Secure the power cord to the power supply using the velcro strap.

**Figure 2: Securing the Power Cord**



- Step 8** Turn on the power at the power source.
- Step 9** Verify that the power status LED is green.

## Contact Cisco

If you have questions or feedback about this C9500 alternate PSU, please send your inquiries directly to [C9K-PSU@external.cisco.com](mailto:C9K-PSU@external.cisco.com).

THE SPECIFICATIONS AND INFORMATION REGARDING THE PRODUCTS IN THIS MANUAL ARE SUBJECT TO CHANGE WITHOUT NOTICE. ALL STATEMENTS, INFORMATION, AND RECOMMENDATIONS IN THIS MANUAL ARE BELIEVED TO BE ACCURATE BUT ARE PRESENTED WITHOUT WARRANTY OF ANY KIND, EXPRESS OR IMPLIED. USERS MUST TAKE FULL RESPONSIBILITY FOR THEIR APPLICATION OF ANY PRODUCTS.

THE SOFTWARE LICENSE AND LIMITED WARRANTY FOR THE ACCOMPANYING PRODUCT ARE SET FORTH IN THE INFORMATION PACKET THAT SHIPPED WITH THE PRODUCT AND ARE INCORPORATED HEREIN BY THIS REFERENCE. IF YOU ARE UNABLE TO LOCATE THE SOFTWARE LICENSE OR LIMITED WARRANTY, CONTACT YOUR CISCO REPRESENTATIVE FOR A COPY.

The Cisco implementation of TCP header compression is an adaptation of a program developed by the University of California, Berkeley (UCB) as part of UCB's public domain version of the UNIX operating system. All rights reserved. Copyright © 1981, Regents of the University of California.

NOTWITHSTANDING ANY OTHER WARRANTY HEREIN, ALL DOCUMENT FILES AND SOFTWARE OF THESE SUPPLIERS ARE PROVIDED "AS IS" WITH ALL FAULTS. CISCO AND THE ABOVE-NAMED SUPPLIERS DISCLAIM ALL WARRANTIES, EXPRESSED OR IMPLIED, INCLUDING, WITHOUT LIMITATION, THOSE OF MERCHANTABILITY, FITNESS FOR A PARTICULAR PURPOSE AND NON-INFRINGEMENT OR ARISING FROM A COURSE OF DEALING, USAGE, OR TRADE PRACTICE.

IN NO EVENT SHALL CISCO OR ITS SUPPLIERS BE LIABLE FOR ANY INDIRECT, SPECIAL, CONSEQUENTIAL, OR INCIDENTAL DAMAGES, INCLUDING, WITHOUT LIMITATION, LOST PROFITS OR LOSS OR DAMAGE TO DATA ARISING OUT OF THE USE OR INABILITY TO USE THIS MANUAL, EVEN IF CISCO OR ITS SUPPLIERS HAVE BEEN ADVISED OF THE POSSIBILITY OF SUCH DAMAGES.

Any Internet Protocol (IP) addresses and phone numbers used in this document are not intended to be actual addresses and phone numbers. Any examples, command display output, network topology diagrams, and other figures included in the document are shown for illustrative purposes only. Any use of actual IP addresses or phone numbers in illustrative content is unintentional and coincidental.

All printed copies and duplicate soft copies of this document are considered uncontrolled. See the current online version for the latest version.

Cisco has more than 200 offices worldwide. Addresses and phone numbers are listed on the Cisco website at [www.cisco.com/go/offices](http://www.cisco.com/go/offices).

Cisco and the Cisco logo are trademarks or registered trademarks of Cisco and/or its affiliates in the U.S. and other countries. To view a list of Cisco trademarks, go to this URL: <https://www.cisco.com/c/en/us/about/legal/trademarks.html>. Third-party trademarks mentioned are the property of their respective owners. The use of the word partner does not imply a partnership relationship between Cisco and any other company. (1721R)

© 2022 Cisco Systems, Inc. All rights reserved.



**Americas Headquarters**  
Cisco Systems, Inc.  
San Jose, CA 95134-1706  
USA

**Asia Pacific Headquarters**  
CiscoSystems(USA)Pte.Ltd.  
Singapore

**Europe Headquarters**  
CiscoSystemsInternationalBV  
Amsterdam,TheNetherlands

Cisco has more than 200 offices worldwide. Addresses, phone numbers, and fax numbers are listed on the Cisco Website at [www.cisco.com/go/offices](http://www.cisco.com/go/offices).