



# Configuring MPLS VPN-Inter-AS-IPv4 BGP Label Distribution

---

- [MPLS VPN Inter-AS IPv4 BGP Label Distribution, on page 1](#)
- [Restrictions for MPLS VPN Inter-AS IPv4 BGP Label Distribution, on page 2](#)
- [Information About MPLS VPN Inter-AS IPv4 BGP Label Distribution, on page 2](#)
- [How to Configure MPLS VPN Inter-AS IPv4 BGP Label Distribution, on page 4](#)
- [Creating Route Maps, on page 10](#)
- [Verifying the MPLS VPN Inter-AS IPv4 BGP Label Distribution Configuration, on page 15](#)
- [Configuration Examples for MPLS VPN Inter-AS IPv4 BGP Label Distribution, on page 21](#)
- [Feature History for Configuring MPLS VPN Inter-AS IPv4 BGP Label Distribution, on page 37](#)

## MPLS VPN Inter-AS IPv4 BGP Label Distribution

This feature enables you to set up a Virtual Private Network (VPN) service provider network. In this network, the Autonomous System Boundary Routers (ASBRs) exchange IPv4 routes with Multiprotocol Label Switching (MPLS) labels of the provider edge (PE) routers. Route reflectors (RRs) exchange VPNv4 routes by using multihop, multiprotocol, External Border Gateway Protocol (EBGP). This configuration saves the ASBRs from having to store all the VPNv4 routes. Using the route reflectors to store the VPNv4 routes and forward them to the PE routers results in improved scalability.

The MPLS VPN—Inter-AS—IPv4 BGP Label Distribution feature has the following benefits:

- Having the route reflectors store VPNv4 routes results in improved scalability—This configuration scales better than configurations where the ASBR holds all the VPNv4 routes and forwards the routes based on VPNv4 labels. With this configuration, route reflectors hold the VPNv4 route, which simplifies the configuration at the border of the network.
- Enables a non-VPN core network to act as a transit network for VPN traffic—You can transport IPv4 routes with MPLS labels over a non MPLS VPN service provider.
- Eliminates the need for any other label distribution protocol between adjacent LSRs—If two adjacent label switch routers (LSRs) are also BGP peers, BGP can handle the distribution of the MPLS labels. No other label distribution protocol is needed between the two LSRs.
- Includes EBGP multipath support to enable load balancing for IPv4 routes across autonomous system (AS) boundaries.

## Restrictions for MPLS VPN Inter-AS IPv4 BGP Label Distribution

This feature includes the following restrictions:

- For networks configured with EBGP multihop, a labeled switched path (LSP) must be established between nonadjacent devices. (RFC 3107)
- The PE devices must run images that support BGP label distribution. Otherwise, you cannot run EBGP between them.
- Point-to-Point Protocol (PPP) encapsulation on the ASBRs is not supported with this feature.
- The physical interfaces that connect the BGP speakers must support Cisco Express Forwarding (CEF) or distributed CEF and MPLS

## Information About MPLS VPN Inter-AS IPv4 BGP Label Distribution

To configure MPLS VPN Inter-AS IPv4 BGP Label Distribution, you need the following information:

### MPLS VPN Inter-AS IPv4 BGP Label Distribution Overview

This feature enables you to set up a VPN service provider network to exchange IPv4 routes with MPLS labels. You can configure the VPN service provider network as follows:

- Route reflectors exchange VPNv4 routes by using multihop, multiprotocol EBGP. This configuration also preserves the next hop information and the VPN labels across the autonomous systems.
- A local PE router (for example, PE1 in Figure 1) needs to know the routes and label information for the remote PE router (PE2). This information can be exchanged between the PE routers and ASBRs in one of two ways:
  - Internal Gateway Protocol (IGP) and Label Distribution Protocol (LDP): The ASBR can redistribute the IPv4 routes and MPLS labels it learned from EBGP into IGP and LDP and vice versa.
  - Internal Border Gateway Protocol (IBGP) IPv4 label distribution: The ASBR and PE router can use direct IBGP sessions to exchange VPNv4 and IPv4 routes and MPLS labels.

Alternatively, the route reflector can reflect the IPv4 routes and MPLS labels learned from the ASBR to the PE routers in the VPN. This is accomplished by enabling the ASBR to exchange IPv4 routes and MPLS labels with the route reflector. The route reflector also reflects the VPNv4 routes to the PE routers in the VPN (as mentioned in the first bullet). For example, in VPN1, RR1 reflects to PE1 the VPNv4 routes it learned and IPv4 routes and MPLS labels learned from ASBR1. Using the route reflectors to store the VPNv4 routes and forward them through the PE routers and ASBRs allows for a scalable configuration.

- ASBRs exchange IPv4 routes and MPLS labels for the PE routers by using EBGP. This enables load balancing across CSC boundaries.

Figure 1: VPNs Using EBGP and IBGP to Distribute Routes and MPLS Labels



## BGP Routing Information

BGP routing information includes the following items:

- A network number (prefix), which is the IP address of the destination.
- Autonomous system (AS) path, which is a list of the other ASs through which a route passes on its way to the local router. The first autonomous system in the list is closest to the local router. The last autonomous system in the list is farthest from the local router and usually the autonomous system where the route began.
- Path attributes, which provide other information about the autonomous system path, for example, the next hop.

## How BGP Sends MPLS Labels with Routes

When BGP (EBGP and IBGP) distributes a route, it can also distribute an MPLS label that is mapped to that route. The MPLS label-mapping information for the route is carried in the BGP update message that contains the information about the route. If the next hop is not changed, the label is preserved.

When you issue the **neighbor send-label** command on both BGP routers, the routers advertise to each other that they can then send MPLS labels with the routes. If the routers successfully negotiate their ability to send MPLS labels, the routers add MPLS labels to all outgoing BGP updates.

## Using Route Maps to Filter Routes

When both routers are configured to distribute routes with MPLS labels, all the routes are encoded with the multiprotocol extensions and contain an MPLS label. You can use a route map to control the distribution of MPLS labels between routers. Route maps enable you to specify the following:

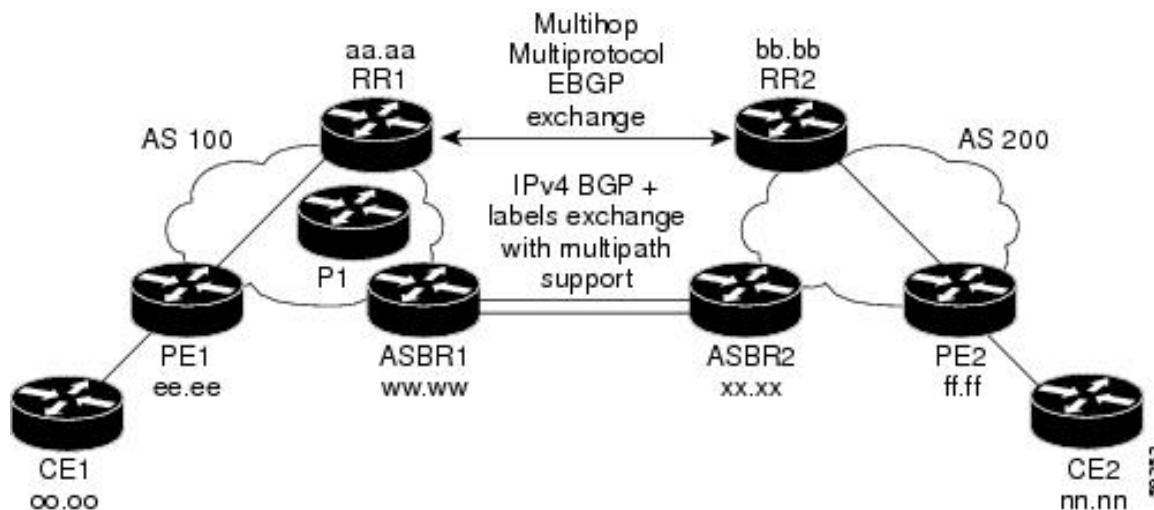
- For a router distributing MPLS labels, you can specify which routes are distributed with an MPLS label.
- For a router receiving MPLS labels, you can specify which routes are accepted and installed in the BGP table.

# How to Configure MPLS VPN Inter-AS IPv4 BGP Label Distribution

The figure below shows the following configuration:

- The configuration consists of two VPNs.
- The ASBRs exchange the IPv4 routes with MPLS labels.
- The route reflectors exchange the VPNv4 routes using multi-hop MPLS EBGP.
- The route reflectors reflect the IPv4 and VPNv4 routes to the other routers in its autonomous system.

Figure 2: Configuring Two VPN Service Providers to Exchange IPv4 Routes and MPLS Labels



## Configuring the ASBRs to Exchange IPv4 Routes and MPLS Labels

Perform this task to configure the ASBRs so that they can distribute BGP routes with MPLS labels.

### Procedure

	Command or Action	Purpose
Step 1	<b>enable</b> <b>Example:</b> Device> enable	Enables privileged EXEC mode. • Enter your password if prompted.
Step 2	<b>configure terminal</b> <b>Example:</b> Device# configure terminal	Enters global configuration mode.

	Command or Action	Purpose
Step 3	<p><b>router bgp</b> <i>as-number</i></p> <p><b>Example:</b></p> <pre>Device(config)# router bgp 100</pre>	<p>Enters router configuration mode.</p> <ul style="list-style-type: none"> <li>• <i>as-number</i>—Number of an autonomous system that identifies the router to other BGP routers and tags the routing information that is passed along. The valid values range from 1 through 65535. Private autonomous system numbers that can be used in internal networks range from 64512 through 65535.</li> </ul>
Step 4	<p><b>neighbor</b> { <i>ip-address</i>   <i>peer-group-name</i> }</p> <p><b>remote-as</b> <i>as-number</i></p> <p><b>Example:</b></p> <pre>Device(config)# neighbor 209.165.201.2 remote-as 200</pre>	<p>Adds an entry to the BGP or multiprotocol BGP neighbor table.</p> <ul style="list-style-type: none"> <li>• The <i>ip-address</i> argument specifies the IP address of the neighbor.</li> <li>• The <i>peer-group-name</i> argument specifies the name of a BGP peer group.</li> <li>• The <i>as-number</i> argument specifies the autonomous system to which the neighbor belongs.</li> </ul>
Step 5	<p><b>address-family ipv4</b> [ <b>multicast</b>   <b>unicast</b>   <b>vrf</b> <i>vrf-name</i> ]</p> <p><b>Example:</b></p> <pre>Device(config-router)# address-family ipv4</pre>	<p>Enters address family configuration mode for configuring routing sessions such as BGP that use standard IPv4 address prefixes.</p> <ul style="list-style-type: none"> <li>• The <b>multicast</b> keyword specifies IPv4 multicast address prefixes.</li> <li>• The <b>unicast</b> keyword specifies IPv4 unicast address prefixes.</li> <li>• The <b>vrf</b> <i>vrf-name</i> keyword and argument specifies the name of the VPN routing/forwarding instance (VRF) to associate with subsequent IPv4 address family configuration mode commands.</li> </ul>
Step 6	<p><b>maximum-paths</b> <i>number-paths</i></p> <p><b>Example:</b></p> <pre>Device(config-router)# maximum-paths 2</pre>	<p>(Optional) Controls the maximum number of parallel routes an IP routing protocol can support.</p> <p>The <i>number-paths</i> argument specifies the maximum number of parallel routes an IP routing protocol installs in a routing table, in the range from 1 through 6.</p>

	Command or Action	Purpose
		<p><b>Note</b> The valid values of the <b>maximum-paths</b> command range from 1 to 32. However, the maximum value that can be configured is 2.</p>
<b>Step 7</b>	<p><b>neighbor</b> { <i>ip-address</i>   <i>peer-group-name</i> } <b>activate</b></p> <p><b>Example:</b></p> <pre>Device(config-router-af)# neighbor 209.165.201.2 activate</pre>	<p>Enables the exchange of information with a neighboring router.</p> <ul style="list-style-type: none"> <li>The <i>ip-address</i> argument specifies the IP address of the neighbor.</li> <li>The <i>peer-group-name</i> argument specifies the name of a BGP peer group.</li> </ul>
<b>Step 8</b>	<p><b>neighbor</b> <i>ip-address</i><b>send-label</b></p> <p><b>Example:</b></p> <pre>Device(config-router-af)# neighbor 10.0.0.1 send-label</pre>	<p>Enables a BGP router to send MPLS labels with BGP routes to a neighboring BGP router.</p> <ul style="list-style-type: none"> <li>The <i>ip-address</i> argument specifies the IP address of the neighboring router.</li> </ul>
<b>Step 9</b>	<p><b>exit-address-family</b></p> <p><b>Example:</b></p> <pre>Device(config-router-af)# exit-address-family</pre>	<p>Exits from the address family submode.</p>
<b>Step 10</b>	<p><b>end</b></p> <p><b>Example:</b></p> <pre>Device(config-router-af)# end</pre>	<p>(Optional) Exits to privileged EXEC mode.</p>

## Configuring the Route Reflectors to Exchange VPNv4 Routes

### Before you begin

Perform this task to enable the route reflectors to exchange VPNv4 routes by using multihop, multiprotocol EBGP.

This procedure also specifies that the next hop information and the VPN label are preserved across the autonomous systems. This procedure uses RR1 as an example.

### Procedure

	Command or Action	Purpose
<b>Step 1</b>	<p><b>enable</b></p> <p><b>Example:</b></p> <pre>Device&gt; enable</pre>	<p>Enables privileged EXEC mode.</p> <ul style="list-style-type: none"> <li>Enter your password if prompted.</li> </ul>

	Command or Action	Purpose
<b>Step 2</b>	<b>configure terminal</b> <b>Example:</b> <pre>Device# configure terminal</pre>	Enters global configuration mode.
<b>Step 3</b>	<b>router bgp <i>as-number</i></b> <b>Example:</b> <pre>Device(config)# router bgp 100</pre>	Enters router configuration mode. <ul style="list-style-type: none"> <li>• <i>as-number</i>—Number of an autonomous system that identifies the router to other BGP routers and tags the routing information that is passed along. The valid values range from 1 through 65535. Private autonomous system numbers that can be used in internal networks range from 64512 through 65535.</li> </ul> The autonomous system number identifies RR1 to routers in other autonomous systems.
<b>Step 4</b>	<b>neighbor { <i>ip-address</i>   <i>peer-group-name</i> }</b> <b>remote-as <i>as-number</i></b> <b>Example:</b> <pre>Device(config)# neighbor 192.0.2.1 remote-as 200</pre>	Adds an entry to the BGP or multiprotocol BGP neighbor table. <ul style="list-style-type: none"> <li>• The <i>ip-address</i> argument specifies the IP address of the neighbor.</li> <li>• The <i>peer-group-name</i> argument specifies the name of a BGP peer group.</li> <li>• The <i>as-number</i> argument specifies the autonomous system to which the neighbor belongs.</li> </ul>
<b>Step 5</b>	<b>address-family vpnv4 [unicast]</b> <b>Example:</b> <pre>Device(config-router)# address-family vpnv4</pre>	Enters address family configuration mode for configuring routing sessions, such as BGP, that uses standard Virtual Private Network Version 4 (VPNv4) address prefixes. <ul style="list-style-type: none"> <li>• The optional <b>unicast</b> keyword specifies VPNv4 unicast address prefixes.</li> </ul>
<b>Step 6</b>	<b>neighbor { <i>ip-address</i>   <i>peer-group-name</i> }</b> <b>ebgp-multihop [<i>tll</i>]</b> <b>Example:</b> <pre>Device(config-router-af)# neighbor 192.0.2.1 ebgp-multihop 255</pre>	Accepts and attempts BGP connections to external peers residing on networks that are not directly connected. <ul style="list-style-type: none"> <li>• The <i>ip-address</i> argument specifies the IP address of the BGP-speaking neighbor.</li> <li>• The <i>peer-group-name</i> argument specifies the name of a BGP peer group.</li> </ul>

	Command or Action	Purpose
		<ul style="list-style-type: none"> <li>The <i>ttl</i> argument specifies the time-to-live in the range from 1 through 255 hops.</li> </ul>
<b>Step 7</b>	<b>neighbor</b> { <i>ip-address</i>   <i>peer-group-name</i> } <b>activate</b>  <b>Example:</b> <pre>Device(config-router-af)# neighbor 192.0.2.1 activate</pre>	Enables the exchange of information with a neighboring router. <ul style="list-style-type: none"> <li>The <i>ip-address</i> argument specifies the IP address of the neighbor.</li> <li>The <i>peer-group-name</i> argument specifies the name of a BGP peer group.</li> </ul>
<b>Step 8</b>	<b>neighbor</b> { <i>ip-address</i>   <i>peer-group-name</i> } <b>next-hop unchanged</b>  <b>Example:</b> <pre>Device(config-router-af)# neighbor 10.0.0.2 next-hop unchanged</pre>	Enables an External BGP (EBGP) multihop peer to propagate the next hop unchanged. <ul style="list-style-type: none"> <li>The <i>ip-address</i> argument specifies the IP address of the next hop.</li> <li>The <i>peer-group-name</i> argument specifies the name of a BGP peer group that is the next hop.</li> </ul>
<b>Step 9</b>	<b>exit-address-family</b>  <b>Example:</b> <pre>Device(config-router-af)# exit-address-family</pre>	Exits from the address family submode.
<b>Step 10</b>	<b>end</b>  <b>Example:</b> <pre>Device(config-router-af)# end</pre>	(Optional) Exits to privileged EXEC mode.

## Configuring the Route Reflectors to Reflect Remote Routes in Its autonomous system

Perform this task to enable the RR to reflect the IPv4 routes and labels that are learned by the ASBR to the PE routers in the autonomous system.

This is accomplished by making the ASBR and PE router the route reflector clients of the RR. This procedure also explains how to enable the RR to reflect the VPNv4 routes.

### Procedure

	Command or Action	Purpose
<b>Step 1</b>	<b>enable</b>  <b>Example:</b> <pre>Device&gt; enable</pre>	Enables privileged EXEC mode. <ul style="list-style-type: none"> <li>Enter your password if prompted.</li> </ul>



	Command or Action	Purpose
<b>Step 2</b>	<b>configure terminal</b> <b>Example:</b> <pre>Device# configure terminal</pre>	Enters global configuration mode.
<b>Step 3</b>	<b>router bgp <i>as-number</i></b> <b>Example:</b> <pre>Device(config)# router bgp 100</pre>	Enters router configuration mode. <ul style="list-style-type: none"> <li>• <b>as-number</b>—Number of an autonomous system that identifies the router to other BGP routers and tags the routing information that is passed along. The valid values range from 1 through 65535. Private autonomous system numbers that can be used in internal networks range from 64512 through 65535.</li> </ul> The autonomous system number identifies RR1 to routers in other autonomous systems.
<b>Step 4</b>	<b>address-family ipv4</b> [ <b>multicast</b>   <b>unicast</b>   <b>vrf</b> <i>vrf-name</i> ] <b>Example:</b> <pre>Device(config-router)# address-family ipv4</pre>	Enters address family configuration mode for configuring routing sessions, such as BGP, that use standard IPv4 address prefixes. <ul style="list-style-type: none"> <li>• The <b>multicast</b> keyword specifies IPv4 multicast address prefixes.</li> <li>• The <b>unicast</b> keyword specifies IPv4 unicast address prefixes.</li> <li>• The <b>vrf</b> <i>vrf-name</i> keyword and argument specifies the name of the VPN routing/forwarding instance (VRF) to associate with subsequent IPv4 address family configuration mode commands.</li> </ul>
<b>Step 5</b>	<b>neighbor { <i>ip-address</i>   <i>peer-group-name</i> }</b> <b>activate</b> <b>Example:</b> <pre>Device(config-router-af)# neighbor 203.0.113.1 activate</pre>	Enables the exchange of information with a neighboring router. <ul style="list-style-type: none"> <li>• The <i>ip-address</i> argument specifies the IP address of the neighbor.</li> <li>• The <i>peer-group-name</i> argument specifies the name of a BGP peer group.</li> </ul>
<b>Step 6</b>	<b>neighbor <i>ip-address</i> route-reflector-client</b> <b>Example:</b> <pre>Device(config-router-af)# neighbor 203.0.113.1 route-reflector-client</pre>	Configures the router as a BGP route reflector and configures the specified neighbor as its client. <ul style="list-style-type: none"> <li>• The <i>ip-address</i> argument specifies the IP address of the BGP neighbor being identified as a client.</li> </ul>

	Command or Action	Purpose
<b>Step 7</b>	<b>neighbor ip-address send-label</b> <b>Example:</b> Device(config-router-af)# neighbor 203.0.113.1 send-label	Enables a BGP router to send MPLS labels with BGP routes to a neighboring BGP router. <ul style="list-style-type: none"> <li>The <i>ip-address</i> argument specifies the IP address of the neighboring router.</li> </ul>
<b>Step 8</b>	<b>exit-address-family</b> <b>Example:</b> Device(config-router-af)# exit-address-family	Exits from the address family submode.
<b>Step 9</b>	<b>address-family vpv4 [unicast]</b> <b>Example:</b> Device(config-router)# address-family vpv4	Enters address family configuration mode for configuring routing sessions, such as BGP, that use standard VPNv4 address prefixes. <ul style="list-style-type: none"> <li>The optional <b>unicast</b> keyword specifies VPNv4 unicast address prefixes.</li> </ul>
<b>Step 10</b>	<b>neighbor {ip-address   peer-group-name} activate</b> <b>Example:</b> Device(config-router-af)# neighbor 203.0.113.1 activate	Enables the exchange of information with a neighboring router. <ul style="list-style-type: none"> <li>The <i>ip-address</i> argument specifies the IP address of the neighbor.</li> <li>The <i>peer-group-name</i> argument specifies the name of a BGP peer group.</li> </ul>
<b>Step 11</b>	<b>neighbor ip-address route-reflector-client</b> <b>Example:</b> Device(config-router-af)# neighbor 203.0.113.1 route-reflector-client	Enables the RR to pass IBGP routes to the neighboring router.
<b>Step 12</b>	<b>exit-address-family</b> <b>Example:</b> Device(config-router-af)# exit-address-family	Exits from the address family submode.
<b>Step 13</b>	<b>end</b> <b>Example:</b> Device(config-router-af)# end	(Optional) Exits to privileged EXEC mode.

## Creating Route Maps

Route maps enable you to specify which routes are distributed with MPLS labels. Route maps also enable you to specify which routes with MPLS labels a router receives and adds to its BGP table.

Route maps work with access lists. You enter the routes into an access list and then specify the access list when you configure the route map.

The following procedures enable the ASBRs to send MPLS labels with the routes specified in the route maps. Further, the ASBRs accept only the routes that are specified in the route map.

## Configuring a Route Map for Arriving Routes

Perform this task to create a route map to filter arriving routes. You create an access list and specify the routes that the router accepts and adds to the BGP table.

### Procedure

	Command or Action	Purpose
<b>Step 1</b>	<b>enable</b> <b>Example:</b> Device> enable	Enables privileged EXEC mode. <ul style="list-style-type: none"> <li>• Enter your password if prompted.</li> </ul>
<b>Step 2</b>	<b>configure terminal</b> <b>Example:</b> Device# configure terminal	Enters global configuration mode.
<b>Step 3</b>	<b>router bgp <i>as-number</i></b> <b>Example:</b> Device(config)# router bgp 100	Enters router configuration mode. <ul style="list-style-type: none"> <li>• <b>as-number</b>—Number of an autonomous system that identifies the router to other BGP routers and tags the routing information that is passed along. The valid values range from 1 through 65535. Private autonomous system numbers that can be used in internal networks range from 64512 through 65535.</li> </ul> The autonomous system number identifies RR1 to routers in other autonomous systems.
<b>Step 4</b>	<b>route-map <i>route-map name</i> [permit   deny] [sequence-number]</b> <b>Example:</b> Device(config-router)# route-map IN permit 11	Creates a route map with the name you specify. <ul style="list-style-type: none"> <li>• The <b>permit</b> keyword allows the actions to happen if all conditions are met.</li> <li>• The <b>deny</b> keyword prevents any actions from happening if all conditions are met.</li> <li>• The <b>sequence-number</b> argument allows you to prioritize route maps. If you have multiple route maps and want to prioritize them, assign each one a number. The route map with the lowest number is implemented first, followed by the route map with the second lowest number, and so on.</li> </ul>

	Command or Action	Purpose
<b>Step 5</b>	<b>match ip address</b> { <i>access-list-number</i>   <i>access-list-name</i> } [... <i>access-list-number</i>   ... <i>access-list-name</i> ]  <b>Example:</b> Device(config-route-map)# match ip address 2	Distributes any routes that have a destination network number address that is permitted by a standard or extended access list, or performs policy routing on packets. <ul style="list-style-type: none"> <li>• The <i>access-list-number</i> argument is a number of a standard or extended access list. It can be an integer from 1 through 199.</li> <li>• The <i>access-list-name</i> argument is a name of a standard or extended access list. It can be an integer from 1 through 199.</li> </ul>
<b>Step 6</b>	<b>match mpls-label</b>  <b>Example:</b> Device(config-route-map)# match mpls-label	Redistributes routes that include MPLS labels if the routes meet the conditions that are specified in the route map.
<b>Step 7</b>	<b>end</b>  <b>Example:</b> Device(config-router-af)# end	(Optional) Exits to privileged EXEC mode.

## Configuring a Route Map for Departing Routes

Perform this task to create a route map to filter departing routes. You create an access list and specify the routes that the router distributes with MPLS labels.

### Procedure

	Command or Action	Purpose
<b>Step 1</b>	<b>enable</b>  <b>Example:</b>  Device> enable	Enables privileged EXEC mode. <ul style="list-style-type: none"> <li>• Enter your password if prompted.</li> </ul>
<b>Step 2</b>	<b>configure terminal</b>  <b>Example:</b>  Device# configure terminal	Enters global configuration mode.
<b>Step 3</b>	<b>router bgp as-number</b>  <b>Example:</b> Device(config)# router bgp 100	Enters router configuration mode. <ul style="list-style-type: none"> <li>• <i>as-number</i>—Number of an autonomous system that identifies the router to other BGP routers and tags the routing information that is passed along. The valid</li> </ul>

	Command or Action	Purpose
		<p>values range from 1 through 65535. Private autonomous system numbers that can be used in internal networks range from 64512 through 65535.</p> <p>The AS number identifies RR1 to routers in other autonomous systems.</p>
<b>Step 4</b>	<p><b>route-map</b> <i>route-map name</i> [<b>permit</b>   <b>deny</b>] [<i>sequence-number</i>]</p> <p><b>Example:</b></p> <pre>Device(config-router)# route-map OUT permit 10</pre>	<p>Creates a route map with the name you specify.</p> <ul style="list-style-type: none"> <li>• The <b>permit</b> keyword allows the actions to happen if all conditions are met.</li> <li>• The <b>deny</b> keyword prevents any actions from happening if all conditions are met.</li> <li>• The <i>sequence-number</i> argument allows you to prioritize route maps. If you have multiple route maps and want to prioritize them, assign each one a number. The route map with the lowest number is implemented first, followed by the route map with the second lowest number, and so on.</li> </ul>
<b>Step 5</b>	<p><b>match ip address</b> {<i>access-list-number</i>   <i>access-list-name</i>} [...<i>access-list-number</i>   ...<i>access-list-name</i>]</p> <p><b>Example:</b></p> <pre>Device(config-route-map)# match 10.0.0.2 1</pre>	<p>Distributes any routes that have a destination network number address that is permitted by a standard or extended access list, or performs policy routing on packets.</p> <ul style="list-style-type: none"> <li>• The <i>access-list-number</i> argument is a number of a standard or extended access list. It can be an integer from 1 through 199.</li> <li>• The <i>access-list-name</i> argument is a name of a standard or extended access list. It can be an integer from 1 through 199.</li> </ul>
<b>Step 6</b>	<p><b>set mpls-label</b></p> <p><b>Example:</b></p> <pre>Device(config-route-map)# set mpls-label</pre>	<p>Enables a route to be distributed with an MPLS label if the route matches the conditions that are specified in the route map.</p>
<b>Step 7</b>	<p><b>end</b></p> <p><b>Example:</b></p> <pre>Device(config-router-af)# end</pre>	<p>(Optional) Exits to privileged EXEC mode.</p>

## Applying the Route Maps to the ASBRs

Perform this task to enable the ASBRs to use the route maps.

### Procedure

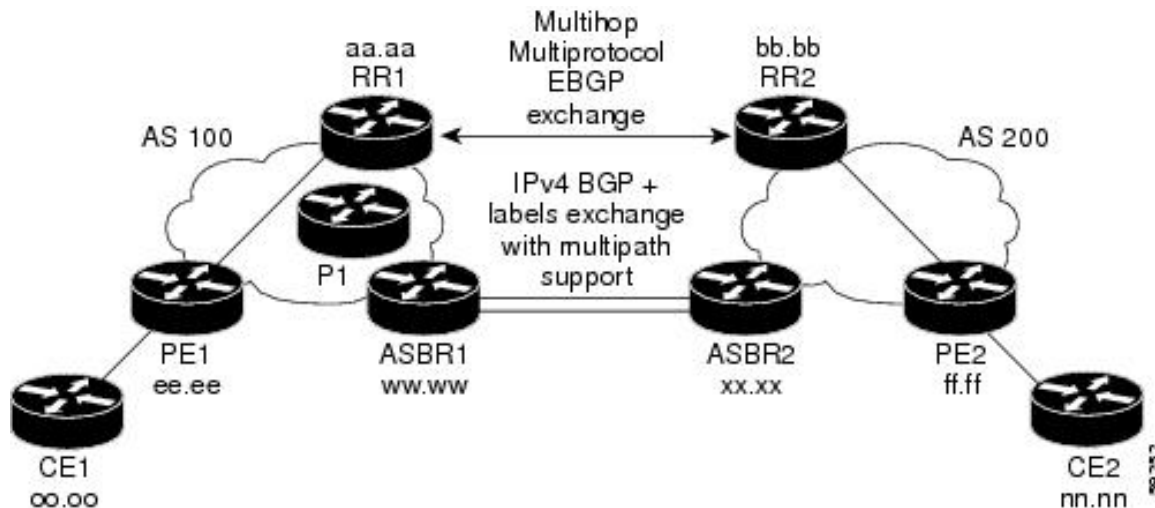
	Command or Action	Purpose
<b>Step 1</b>	<b>enable</b> <b>Example:</b> Device> enable	Enables privileged EXEC mode. <ul style="list-style-type: none"> <li>• Enter your password if prompted.</li> </ul>
<b>Step 2</b>	<b>configure terminal</b> <b>Example:</b> Device# configure terminal	Enters global configuration mode.
<b>Step 3</b>	<b>router bgp <i>as-number</i></b> <b>Example:</b> Device(config)# router bgp 100	Enters router configuration mode. <ul style="list-style-type: none"> <li>• <b>as-number</b>—Number of an autonomous system that identifies the router to other BGP routers and tags the routing information that is passed along. The valid values range from 1 through 65535. Private autonomous system numbers that can be used in internal networks range from 64512 through 65535.</li> </ul> The autonomous system number identifies RR1 to routers in other autonomous systems.
<b>Step 4</b>	<b>address-family ipv4</b> <b>[ <i>multicast</i>   <i>unicast</i>   <i>vrf vrf-name</i> ]</b> <b>Example:</b> Device(config-router)# address-family ipv4	Enters address family configuration mode for configuring routing sessions such as BGP that use standard IPv4 address prefixes. <ul style="list-style-type: none"> <li>• The <b>multicast</b> keyword specifies IPv4 multicast address prefixes.</li> <li>• The <b>unicast</b> keyword specifies IPv4 unicast address prefixes.</li> <li>• The <b>vrf vrf-name</b> keyword and argument specifies the name of the VPN routing/forwarding instance (VRF) to associate with subsequent IPv4 address family configuration mode commands.</li> </ul>
<b>Step 5</b>	<b>neighbor <i>ip-address</i> route-map <i>route-map-name</i> out</b> <b>Example:</b>	Applies a route map to incoming routes.

	Command or Action	Purpose
	<pre>Device(config-router-af) # neighbor 209.165.200.225 route-map OUT out</pre>	<ul style="list-style-type: none"> <li>• The <i>ip-address</i> argument specifies the device to which the route map is to be applied.</li> <li>• The <i>route-map-name</i> argument specifies the name of the route map.</li> <li>• The <b>out</b> keyword applies the route map to outgoing routes.</li> </ul>
<b>Step 6</b>	<p><b>neighbor ip-address send-label</b></p> <p><b>Example:</b></p> <pre>Device(config-router-af) # neighbor 209.165.200.225 send-label</pre>	<p>Advertises the ability of the router to send MPLS labels with routes.</p> <ul style="list-style-type: none"> <li>• The <i>ip-address</i> argument specifies the router that is enabled to send MPLS labels with routes.</li> </ul>
<b>Step 7</b>	<p><b>exit-address-family</b></p> <p><b>Example:</b></p> <pre>Device(config-router-af) # exit-address-family</pre>	<p>Exits from the address family submode.</p>
<b>Step 8</b>	<p><b>end</b></p> <p><b>Example:</b></p> <pre>Device(config-router-af) # end</pre>	<p>(Optional) Exits to privileged EXEC mode.</p>

## Verifying the MPLS VPN Inter-AS IPv4 BGP Label Distribution Configuration

The following figure is a reference for the configuration.

Figure 3: Configuring Two VPN Service Providers to Exchange IPv4 Routes and MPLS Labels



If you use route reflectors to distribute the VPNv4 routes and use the ASBRs to distribute the IPv4 labels, use the following procedures to help verify the configuration:

## Verifying the Route Reflector Configuration

Perform this task to verify the route reflector configuration.

### Procedure

	Command or Action	Purpose
<b>Step 1</b>	<b>enable</b> <b>Example:</b> Device> enable	Enables privileged EXEC mode. <ul style="list-style-type: none"> <li>• Enter your password if prompted.</li> </ul>
<b>Step 2</b>	<b>show ip bgp vpnv4 { all   rd route-distinguisher   vrf vrf-name } [summary] [labels]</b> <b>Example:</b> Device# show ip bgp vpnv4 all summary <b>Example:</b> Device# show ip bgp vpnv4 all labels	(Optional) Displays VPN address information from the BGP table. <ul style="list-style-type: none"> <li>• Use the <b>show ip bgp vpnv4</b> command with the <b>all</b> and <b>summary</b> keywords to verify that a multihop, multiprotocol, EBGP session exists between the route reflectors and that the VPNv4 routes are being exchanged between the route reflectors.</li> <li>• The last two lines of the command output show the following information:                             <ul style="list-style-type: none"> <li>• Prefixes are being learned from PE1 and then passed to RR2.</li> </ul> </li> </ul>



	Command or Action	Purpose
		<ul style="list-style-type: none"> <li>• Prefixes are being learned from RR2 and then passed to PE1.</li> <li>• Use the <b>show ip bgp vpnv4</b> command with the <b>all</b> and <b>labels</b> keywords to verify that the route reflectors are exchanging VPNv4 label information.</li> </ul>
<b>Step 3</b>	<b>disable</b> <b>Example:</b> Device# disable	(Optional) Exits to user EXEC mode.

## Verifying that CE1 Has Network Reachability Information for CE2

Perform this task to verify that router CE1 has NLRI for router CE2.

### Procedure

	Command or Action	Purpose
<b>Step 1</b>	<b>enable</b> <b>Example:</b> Device> enable	Enables privileged EXEC mode. <ul style="list-style-type: none"> <li>• Enter your password if prompted.</li> </ul>
<b>Step 2</b>	<b>show ip route</b> [ <i>ip-address</i> [ <i>mask</i> ] [ <b>longer prefixes</b> ] ]   [ <i>protocol</i> [ <i>process-id</i> ] ]   [ <b>list access-list-number</b>   <i>access-list-name</i> ] <b>Example:</b> Device# show ip route 209.165.201.1	Displays the current state of the routing table. <ul style="list-style-type: none"> <li>• Use the <b>show ip route</b> command with the <b>ip-address</b> argument to verify that CE1 has a route to CE2.</li> <li>• Use the <b>show ip route</b> command to verify the routes learned by CE1. Make sure to list the route for CE2.</li> </ul>
<b>Step 3</b>	<b>disable</b> <b>Example:</b> Device# disable	(Optional) Exits to user EXEC mode.

## Verifying that PE1 Has Network Layer Reachability Information for CE2

Perform this task to verify that router PE1 has NLRI for router CE2.

## Procedure

	Command or Action	Purpose
<b>Step 1</b>	<p><b>enable</b></p> <p><b>Example:</b></p> <pre>Device&gt; enable</pre>	<p>Enables privileged EXEC mode.</p> <ul style="list-style-type: none"> <li>• Enter your password if prompted.</li> </ul>
<b>Step 2</b>	<p><b>show ip route vrf</b> <i>vrf-name</i> [<b>connected</b>] [<i>protocols</i> [<i>as-number</i>] [<i>tag</i>] [<i>output-modifiers</i>] ] [<b>list</b> <i>number</i>[<i>output-modifiers</i>] ] [<b>profile</b>] [<b>static</b> [<i>output-modifiers</i>] ] [<b>summary</b> [<i>output-modifiers</i>] ] [<b>supernets-only</b> [<i>output-modifiers</i>] ] [<b>traffic engineering</b> [<i>output-modifiers</i>] ]</p> <p><b>Example:</b></p> <pre>Device# show ip route vrf vpn1 209.165.201.1</pre>	<p>(Optional) Displays the IP routing table that is associated with a VRF.</p> <ul style="list-style-type: none"> <li>• Use the <b>show ip route vrf</b> command to verify that router PE1 learns routes from router CE2 (nn.nn.nn.nn).</li> </ul>
<b>Step 3</b>	<p><b>show ip bgp vpnv4</b> {<b>all</b>   <b>rd</b> <i>route-distinguisher</i>   <b>vrf</b> <i>vrf-name</i> } {<i>ip-prefix/length</i> [<b>longer-prefixes</b>] [<i>output-modifiers</i>] ] [<i>network-address</i> [<i>mask</i>] [<b>longer-prefixes</b>] [<i>output-modifiers</i>] ] [<b>cidr-only</b>] [<i>community</i>] [<b>community-list</b>] [<b>dampened-paths</b>] [<b>filter-list</b>] [<b>flap-statistics</b>] [<b>inconsistent-as</b>] [<b>neighbors</b>] [<b>path</b> [<i>line</i>] ] [<b>peer-group</b>] [<b>quote-regexp</b>] [<b>regexp</b>] [<b>summary</b>] [<b>tags</b>]</p> <p><b>Example:</b></p> <pre>Device# show ip bgp vpnv4 vrf vpn1 209.165.201.1</pre>	<p>(Optional) Displays VPN address information from the BGP table.</p> <ul style="list-style-type: none"> <li>• Use the <b>show ip bgp vpnv4</b> command with the <b>vrf</b> or <b>all</b> keyword to verify that router PE2 is the BGP next-hop to router CE2.</li> </ul>
<b>Step 4</b>	<p><b>show ip cef</b> [<b>vrf</b> <i>vrf-name</i>] [<i>network</i> [<i>mask</i>] ] [<b>longer-prefixes</b>] [<b>detail</b>]</p> <p><b>Example:</b></p> <pre>Device# show ip cef vrf vpn1 209.165.201.1</pre>	<p>(Optional) Displays entries in the forwarding information base (FIB) or displays a summary of the FIB.</p> <ul style="list-style-type: none"> <li>• Use the <b>show ip cef</b> command to verify that the Cisco Express Forwarding (CEF) entries are correct.</li> </ul>
<b>Step 5</b>	<p><b>show mpls forwarding-table</b> [ {<i>network</i> {<i>mask</i>   <i>length</i>}   <b>labels</b> <i>label</i> [-<i>label</i>]   <b>interface</b> <i>interface</i>   <b>next-hop</b> <i>address</i>   <b>lsp-tunnel</b> [<i>tunnel-id</i>] } ] [<b>detail</b>]</p> <p><b>Example:</b></p>	<p>(Optional) Displays the contents of the MPLS forwarding information base (LFIB).</p> <ul style="list-style-type: none"> <li>• Use the <b>show mpls forwarding-table</b> command to verify the IGP label for the BGP next hop router (autonomous system boundary).</li> </ul>

	Command or Action	Purpose
	Device# show mpls forwarding-table	
<b>Step 6</b>	<b>show ip bgp</b> [network] [network-mask] [longer-prefixes]  <b>Example:</b> Device# show ip bgp 209.165.202.129	(Optional) Displays entries in the BGP routing table.  <ul style="list-style-type: none"> <li>Use the <b>show ip bgp</b> command to verify the label for the remote egress PE router (PE2).</li> </ul>
<b>Step 7</b>	<b>show ip bgp vpnv4</b> {all   rd route-distinguisher   vrf vrf-name } [summary] [labels]  <b>Example:</b> Device# show ip bgp vpnv4 all labels	(Optional) Displays VPN address information from the BGP table.  <ul style="list-style-type: none"> <li>Use the <b>show ip bgp vpnv4 all summary</b> command to verify the VPN label of CE2, as advertised by PE2.</li> </ul>
<b>Step 8</b>	<b>disable</b>  <b>Example:</b> Device# disable	(Optional) Exits to user EXEC mode.

## Verifying that PE2 Has Network Reachability Information for CE2

Perform this task to ensure that PE2 can access CE2.

### Procedure

	Command or Action	Purpose
<b>Step 1</b>	<b>enable</b>  <b>Example:</b> Device> enable	Enables privileged EXEC mode.  <ul style="list-style-type: none"> <li>Enter your password if prompted.</li> </ul>
<b>Step 2</b>	<b>show ip route vrf vrf-name</b> [connected] [protocol [as-number] [tag] [output-modifiers] ] [list number [output-modifiers] ] [profile] [static [output-modifiers] ] [summary [output-modifiers] ] [supernets-only [output-modifiers] ] [traffic-engineering [output-modifiers] ]  <b>Example:</b> Device# show ip route vrf vpn1 209.165.201.1	(Optional) Displays the IP routing table that is associated with a VRF.  <ul style="list-style-type: none"> <li>Use the <b>show ip route vrf</b> command to check the VPN routing and forwarding table for CE2. The output provides next hop information.</li> </ul>
<b>Step 3</b>	<b>show mpls forwarding-table</b> [vrf vpn-name] [ {network {mask   length }   labels	(Optional) Displays the contents of the LFIB.  <ul style="list-style-type: none"> <li>Use the <b>show mpls forwarding-table</b> command with the <b>vrf</b> keyword to check</li> </ul>

	Command or Action	Purpose
	<b>label</b> [-label]   <b>interface</b> interface   <b>next-hop</b> address   <b>lsp-tunnel</b> [tunnel-id ]}] [detail]  <b>Example:</b> Device# show mpls forwarding-table vrf vpn1 209.165.201.1	the VPN routing and forwarding table for CE2. The output provides the label for CE2 and the outgoing interface.
<b>Step 4</b>	<b>show ip bgp vpnv4</b> {all   rd route-distinguisher   vrf vrf-name} [summary] [labels]  <b>Example:</b> Device# show ip bgp vpnv4 all labels	(Optional) Displays VPN address information from the BGP table. <ul style="list-style-type: none"> <li>Use the <b>show ip bgp vpnv4</b> command with the <b>all</b> and <b>labels</b> keywords to check the VPN label for CE2 in the multiprotocol BGP table.</li> </ul>
<b>Step 5</b>	<b>show ip cef</b> [vrf vrf-name ] [network [mask]] [longer-prefixes] [detail]  <b>Example:</b> Device# show ip cef <vrf-name> 209.165.201.1	(Optional) Displays entries in the forwarding information base (FIB) or displays a summary of the FIB. <ul style="list-style-type: none"> <li>Use the <b>show ip cef</b> command to check the CEF entry for CE2. The command output shows the local label for CE2 and the outgoing interface.</li> </ul>
<b>Step 6</b>	<b>disable</b>  <b>Example:</b> Device# disable	(Optional) Exits to user EXEC mode.

## Verifying the ASBR Configuration

Perform this task to verify that the ASBRs exchange IPv4 routes with MPLS labels or IPv4 routes without labels as prescribed by a route map.

### Procedure

	Command or Action	Purpose
<b>Step 1</b>	<b>enable</b>  <b>Example:</b> Device> enable	Enables privileged EXEC mode. <ul style="list-style-type: none"> <li>Enter your password if prompted.</li> </ul>
<b>Step 2</b>	<b>show ip bgp</b> [network] [network-mask] [longer-prefixes]  <b>Example:</b> Device# show ip bgp 209.165.202.129  <b>Example:</b> Device# show ip bgp 192.0.2.1	(Optional) Displays entries in the BGP routing table. <ul style="list-style-type: none"> <li>Use the <b>show ip bgp</b> command to verify that               <ul style="list-style-type: none"> <li>ASBR1 receives an MPLS label for PE2 from ASBR2.</li> </ul> </li> </ul>

	Command or Action	Purpose
		<ul style="list-style-type: none"> <li>ASBR1 received from ASBR2 IPv4 routes for RR2 without labels. If the command output does not display the MPLS label information, the route was received without an MPLS label.</li> <li>ASBR2 distributes an MPLS label for PE2 to ASBR1.</li> <li>ASBR2 does not distribute a label for RR2 to ASBR1.</li> </ul>
<b>Step 3</b>	<b>show ip cef</b> [ <b>vrf vrf-name</b> ] [ <b>network [mask]</b> ] [ <b>longer-prefixes</b> ] [ <b>detail</b> ] <b>Example:</b> Device# show ip cef 209.165.202.129 <b>Example:</b> Device# show ip cef 192.0.2.1	(Optional) Displays entries in the forwarding information base (FIB) or displays a summary of the FIB. <ul style="list-style-type: none"> <li>Use the <b>show ip cef</b> command from ASBR1 and ASBR2 to check that <ul style="list-style-type: none"> <li>The CEF entry for PE2 is correct.</li> <li>The CEF entry for RR2 is correct.</li> </ul> </li> </ul>
<b>Step 4</b>	<b>disable</b> <b>Example:</b> Device# disable	(Optional) Exits to the user EXEC mode.

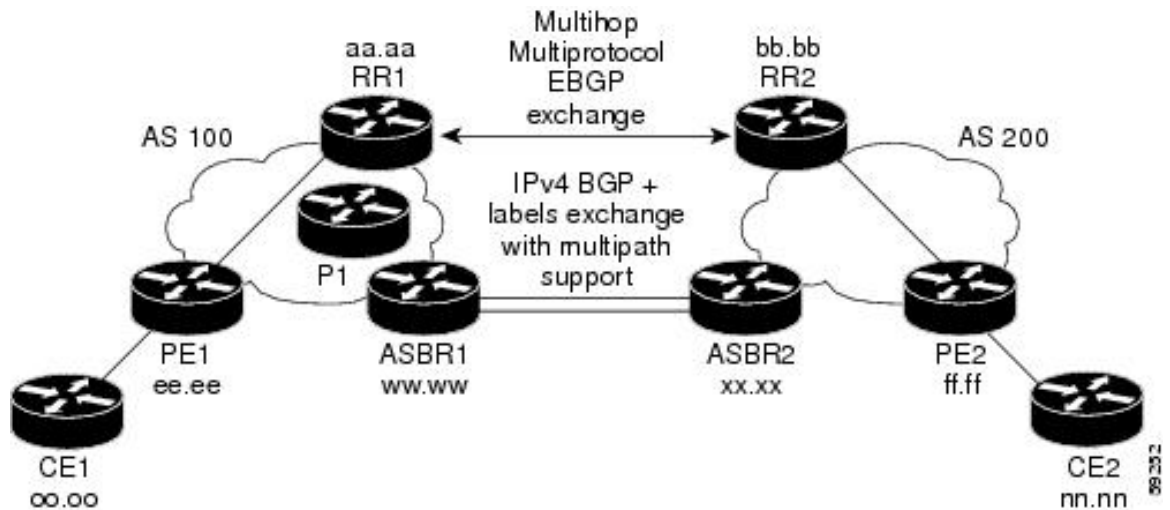
## Configuration Examples for MPLS VPN Inter-AS IPv4 BGP Label Distribution

Configuration examples for MPLS VPN Inter-AS IPv4 BGP Label Distribution feature include the following:

### Configuration Examples for Inter-AS Using BGP to Distribute Routes and MPLS Labels Over an MPLS VPN Service Provider

The figure shows two MPLS VPN service providers. The service provider distributes the VPNv4 routes between the route reflectors. They distribute the IPv4 routes with MPLS labels between the ASBRs.

Figure 4: Distributing IPv4 Routes and MPLS Labels Between MPLS VPN Service Providers



The configuration examples show the two techniques that you can use to distribute the VPNv4 routes and the IPv4 routes with MPLS labels, from the remote RRs and PEs to the local RRs and PEs:

- Autonomous system 100 uses the RRs to distribute the VPNv4 routes learned from the remote RRs. The RRs also distribute the remote PE address and label that is learned from ASBR1 using IPv4 + labels.
- In autonomous system 200, the IPv4 routes that ASBR2 learned are redistributed into IGP.

The configuration examples in this section are as follow:

## Example: Route Reflector 1 (MPLS VPN Service Provider)

The configuration example for RR1 specifies the following:

- RR1 exchanges VPNv4 routes with RR2 using multiprotocol, multihop EBGP.
- The VPNv4 next hop information and the VPN label preserved across the autonomous systems.
- RR1 reflects to PE1:
  - The VPNv4 routes learned from RR2.
  - The IPv4 routes and MPLS labels learned from ASBR1

```
ip subnet-zero
ip cef
!
interface Loopback0
 ip address 10.0.0.1 255.255.255.255
 no ip directed-broadcast
!
interface Serial11/2
 ip address 209.165.201.8 255.0.0.0
 no ip directed-broadcast
 clockrate 124061
!
router ospf 10
 log-adjacency-changes
 auto-cost reference-bandwidth 1000
```

```

network 10.0.0.1 0.0.0.0 area 100
network 209.165.201.9 0.255.255.255 area 100
!
router bgp 100
  bgp cluster-id 1
  bgp log-neighbor-changes
  timers bgp 10 30
  neighbor 203.0.113.1 remote-as 100
  neighbor 203.0.113.1 update-source Loopback0
  neighbor 209.165.200.225 remote-as 100
  neighbor 209.165.200.225 update-source Loopback0
  neighbor 192.0.2.1 remote-as 200
  neighbor 192.0.2.1 ebgp-multihop 255
  neighbor 192.0.2.1 update-source Loopback0
  no auto-summary
!
address-family ipv4
  neighbor 203.0.113.1 activate
  neighbor 203.0.113.1 route-reflector-client           !IPv4+labels session to PE1
  neighbor 203.0.113.1 send-label
  neighbor 209.165.200.225 activate
  neighbor 209.165.200.225 route-reflector-client       !IPv4+labels session to
ASBR1
  neighbor 209.165.200.225 send-label
  no neighbor 192.0.2.1 activate
  no auto-summary
  no synchronization
  exit-address-family
!
address-family vpnv4
  neighbor 203.0.113.1 activate
  neighbor 203.0.113.1 route-reflector-client           !VPNv4 session with PE1
  neighbor 203.0.113.1 send-community extended
  neighbor 192.0.2.1 activate
  neighbor 192.0.2.1 next-hop-unchanged                 !MH-VPNv4 session with RR2
  neighbor 192.0.2.1 send-community extended           !with next hop unchanged
  exit-address-family
!
ip default-gateway 3.3.0.1
no ip classless
!
snmp-server engineID local 00000009020000D0584B25C0
snmp-server community public RO
snmp-server community write RW
no snmp-server ifindex persist
snmp-server packetsize 2048
!
end

```

## Configuration Example: ASBR1 (MPLS VPN Service Provider)

ASBR1 exchanges IPv4 routes and MPLS labels with ASBR2.

In this example, ASBR1 uses route maps to filter routes.

- A route map called OUT specifies that ASBR1 should distribute the PE1 route (ee.ee) with labels and the RR1 route (aa.aa) without labels.
- A route map called IN specifies that ASBR1 should accept the PE2 route (ff.ff) with labels and the RR2 route (bb.bb) without labels.

```

ip subnet-zero
mpls label protocol tdp

```

```

!
interface Loopback0
 ip address 209.165.200.225 255.255.255.255
 no ip directed-broadcast
 no ip route-cache
 no ip mroute-cache
!
interface Ethernet0/2
 ip address 209.165.201.6 255.0.0.0
 no ip directed-broadcast
 no ip mroute-cache
!
interface Ethernet0/3
 ip address 209.165.201.18 255.0.0.0
 no ip directed-broadcast
 no ip mroute-cache
 mpls label protocol ldp
 mpls ip
!router ospf 10
 log-adjacency-changes
 auto-cost reference-bandwidth 1000
 redistribute connected subnets
 passive-interface Ethernet0/2
 network 209.165.200.225 0.0.0.0 area 100
 network 209.165.201.9 0.255.255.255 area 100

router bgp 100
 bgp log-neighbor-changes
 timers bgp 10 30
 neighbor 10.0.0.1 remote-as 100
 neighbor 10.0.0.1 update-source Loopback0
 neighbor 209.165.201.2 remote-as 200
 no auto-summary
!
address-family ipv4
 redistribute ospf 10
 neighbor 10.0.0.1 activate
 neighbor 10.0.0.1 send-label
 neighbor 209.165.201.2 activate
 neighbor 209.165.201.2 advertisement-interval 5
 neighbor 209.165.201.2 send-label
 neighbor 209.165.201.2 route-map IN in
 neighbor 209.165.201.2 route-map OUT out
 neighbor 209.165.201.3 activate
 neighbor 209.165.201.3 advertisement-interval 5
 neighbor 209.165.201.3 send-label
 neighbor 209.165.201.3 route-map IN in
 neighbor 209.165.201.3 route-map OUT out
 no auto-summary
 no synchronization
 exit-address-family
!
 ip default-gateway 3.3.0.1
 ip classless
!
 access-list 1 permit 203.0.113.1 log
 access-list 2 permit 209.165.202.129 log
 access-list 3 permit 10.0.0.1 log
 access-list 4 permit 192.0.2.1 log

route-map IN permit 10
 match ip address 2
 match mpls-label
!

```



```

route-map IN permit 11
  match ip address 4
  !
route-map OUT permit 12
  match ip address 3
  !
route-map OUT permit 13
  match ip address 1
  set mpls-label
  !
end

```

## Configuration Example: Route Reflector 2 (MPLS VPN Service Provider)

RR2 exchanges VPNv4 routes with RR1 through multihop, multiprotocol EBGP. This configuration also specifies that the next hop information and the VPN label are preserved across the autonomous systems.

```

ip subnet-zero
ip cef
!
interface Loopback0
  ip address 192.0.2.1 255.255.255.255
  no ip directed-broadcast
  !
interface Serial1/1
  ip address 209.165.201.10 255.0.0.0
  no ip directed-broadcast
  no ip mroute-cache
  !
router ospf 20
  log-adjacency-changes
  network 192.0.2.1 0.0.0.0 area 200
  network 209.165.201.20 0.255.255.255 area 200
  !
router bgp 200
  bgp cluster-id 1
  bgp log-neighbor-changes
  timers bgp 10 30
  neighbor 10.0.0.1 remote-as 100
  neighbor 10.0.0.1 ebgp-multihop 255
  neighbor 10.0.0.1 update-source Loopback0
  neighbor 209.165.202.129 remote-as 200
  neighbor 209.165.202.129 update-source Loopback0
  no auto-summary
  !
  address-family vpnv4
  neighbor 10.0.0.1 activate
  neighbor 10.0.0.1 next-hop-unchanged                !Multihop VPNv4 session with RR1
  neighbor 10.0.0.1 send-community extended          !with next-hop-unchanged
  neighbor 209.165.202.129 activate
  neighbor 209.165.202.129 route-reflector-client    !VPNv4 session with PE2
  neighbor 209.165.202.129 send-community extended
  exit-address-family
  !
ip default-gateway 3.3.0.1
no ip classless
!
end

```

## Configuration Example: ASBR2 (MPLS VPN Service Provider)

ASBR2 exchanges IPv4 routes and MPLS labels with ASBR1. However, in contrast to ASBR1, ASBR2 does not use the RR to reflect IPv4 routes and MPLS labels to PE2. ASBR2 redistributes the IPv4 routes and MPLS labels learned from ASBR1 into IGP. PE2 can now reach these prefixes.

```

ip subnet-zero
ip cef
!
mpls label protocol tdp
!
interface Loopback0
ip address 209.165.200.226 255.255.255.255
no ip directed-broadcast
!
interface Ethernet1/0
ip address 209.165.201.2 255.0.0.0
no ip directed-broadcast
no ip mroute-cache
!
interface Ethernet1/2
ip address 209.165.201.4 255.0.0.0
no ip directed-broadcast
no ip mroute-cache
mpls label protocol tdp
mpls ip
!
router ospf 20
log-adjacency-changes
auto-cost reference-bandwidth 1000
redistribute connected subnets
redistribute bgp 200 subnets          ! Redistributing the routes learned from
passive-interface Ethernet1/0         ! ASBR1 (EBGP+labels session) into IGP
network 209.165.200.226 0.0.0.0 area 200 ! so that PE2 will learn them
network 209.165.201.5 0.255.255.255 area 200
!
router bgp 200
bgp log-neighbor-changes
timers bgp 10 30
neighbor 192.0.2.1 remote-as 200
neighbor 192.0.2.1 update-source Loopback0
neighbor 209.165.201.6 remote-as 100
no auto-summary
!
address-family ipv4
redistribute ospf 20                  ! Redistributing IGP into BGP
neighbor 209.165.201.6 activate       ! so that PE2 & RR2 loopbacks
neighbor 209.165.201.6 advertisement-interval 5 ! will get into the BGP-4 table.
neighbor 209.165.201.6 route-map IN in
neighbor 209.165.201.6 route-map OUT out
neighbor 209.165.201.6 send-label
neighbor 209.165.201.7 activate
neighbor 209.165.201.7 advertisement-interval 5
neighbor 209.165.201.7 route-map IN in
neighbor 209.165.201.7 route-map OUT out
neighbor 209.165.201.7 send-label
no auto-summary
no synchronization
exit-address-family
!
address-family vpnv4
neighbor 192.0.2.1 activate
neighbor 192.0.2.1 send-community extended
exit-address-family

```

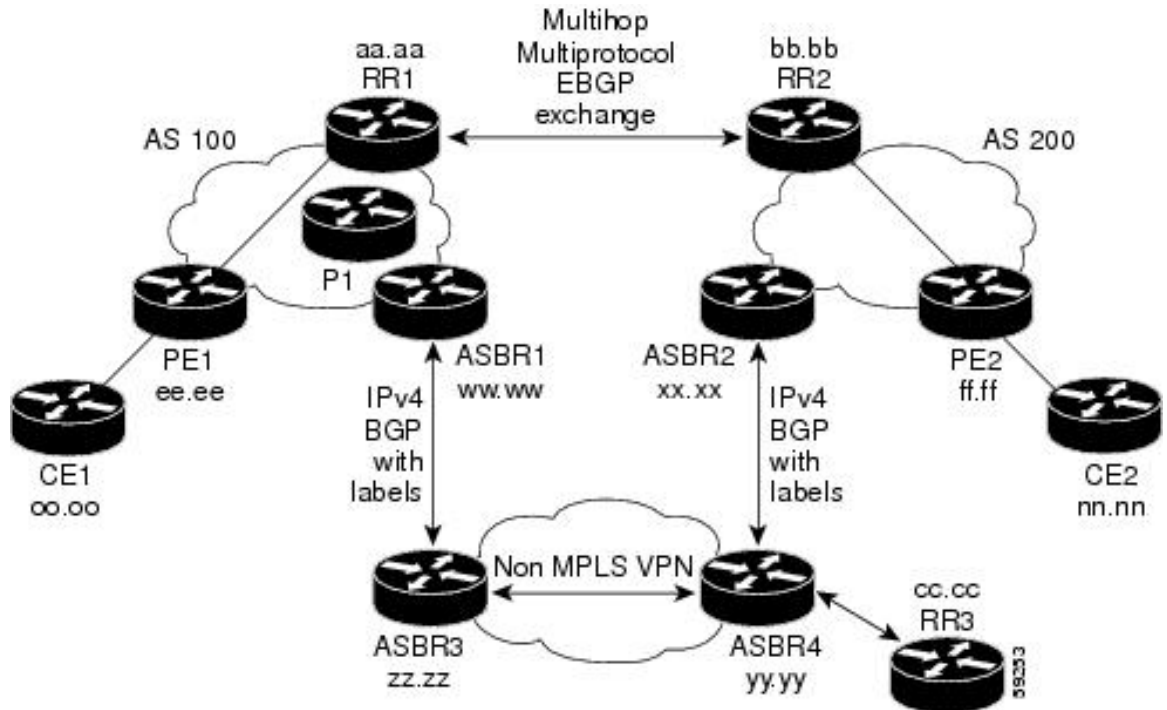
```
!
ip default-gateway 3.3.0.1
ip classless
!
access-list 1 permit 209.165.202.129 log           !Setting up the access lists
access-list 2 permit 203.0.113.1 log
access-list 3 permit 192.0.2.1 log
access-list 4 permit 10.0.0.1 log

route-map IN permit 11                           !Setting up the route maps
  match ip address 2
  match mpls-label
!
route-map IN permit 12
  match ip address 4
!
route-map OUT permit 10
  match ip address 1
  set mpls-label
!
route-map OUT permit 13
  match ip address 3
end
```

## Configuration Examples: Inter-AS Using BGP to Distribute Routes and MPLS Labels Over a Non MPLS VPN Service Provider

The figure shows two MPLS VPN service providers that are connected through a non MPLS VPN service provider. The autonomous system in the middle of the network is configured as a backbone autonomous system that uses Label Distribution Protocol (LDP) or Tag Distribution Protocol (TDP) to distribute MPLS labels. You can also use traffic engineering tunnels instead of TDP or LDP to build the LSP across the non MPLS VPN service provider.

Figure 5: Distributing Routes and MPLS Labels Over a Non MPLS VPN Service Provider



Configuration examples for Inter-AS using BGP to distribute routes and MPLS labels over a non MPLS VPN service provider included in this section are as follows:

### Configuration Example: Route Reflector 1 (Non MPLS VPN Service Provider)

The configuration example for RR1 specifies the following:

- RR1 exchanges VPNv4 routes with RR2 using multiprotocol, multihop EBGP.
- The VPNv4 next hop information and the VPN label are preserved across the autonomous systems.
- RR1 reflects to PE1:
  - The VPNv4 routes learned from RR2
  - The IPv4 routes and MPLS labels learned from ASBR1

```
ip subnet-zero
ip cef
!
interface Loopback0
 ip address 10.0.0.1 255.255.255.255
 no ip directed-broadcast
!
interface Serial1/2
 ip address 209.165.201.8 255.0.0.0
 no ip directed-broadcast
 clockrate 124061
!
router ospf 10
 log-adjacency-changes
```

```

auto-cost reference-bandwidth 1000
network 10.0.0.1 0.0.0.0 area 100
network 209.165.201.9 0.255.255.255 area 100
!
router bgp 100
  bgp cluster-id 1
  bgp log-neighbor-changes
  timers bgp 10 30
  neighbor 203.0.113.1 remote-as 100
  neighbor 203.0.113.1 update-source Loopback0
  neighbor 209.165.200.225 remote-as 100
  neighbor 209.165.200.225 update-source Loopback0
  neighbor 192.0.2.1 remote-as 200
  neighbor 192.0.2.1 ebgp-multihop 255
  neighbor 192.0.2.1 update-source Loopback0
  no auto-summary
  !
  address-family ipv4
    neighbor 203.0.113.1 activate
    neighbor 203.0.113.1 route-reflector-client           !IPv4+labels session to PE1
    neighbor 203.0.113.1 send-label
    neighbor 209.165.200.225 activate
    neighbor 209.165.200.225 route-reflector-client       !IPv4+labels session to
ASBR1
    neighbor 209.165.200.225 send-label
    no neighbor 192.0.2.1 activate
    no auto-summary
    no synchronization
    exit-address-family
  !
  address-family vpnv4
    neighbor 203.0.113.1 activate
    neighbor 203.0.113.1 route-reflector-client           !VPNv4 session with PE1
    neighbor 203.0.113.1 send-community extended
    neighbor 192.0.2.1 activate
    neighbor 192.0.2.1 next-hop-unchanged                 !MH-VPNv4 session with RR2
    neighbor 192.0.2.1 send-community extended           with next-hop-unchanged
    exit-address-family
  !
  ip default-gateway 3.3.0.1
  no ip classless
  !
  snmp-server engineID local 00000009020000D0584B25C0
  snmp-server community public RO
  snmp-server community write RW
  no snmp-server ifindex persist
  snmp-server packetsize 2048
  !
end

```

## Configuration Example: ASBR1 (Non MPLS VPN Service Provider)

ASBR1 exchanges IPv4 routes and MPLS labels with ASBR2.

In this example, ASBR1 uses route maps to filter routes.

- A route map called OUT specifies that ASBR1 should distribute the PE1 route (ee.aa) with labels and the RR1 route (aa.aa) without labels.
- A route map called IN specifies that ASBR1 should accept the PE2 route (ff.aa) with labels and the RR2 route (bb.bb) without labels.

```

ip subnet-zero
ip cef distributed
mpls label protocol tdp
!
interface Loopback0
ip address 209.165.200.225 255.255.255.255
no ip directed-broadcast
no ip route-cache
no ip mroute-cache
!
interface Serial3/0/0
ip address 209.165.201.7 255.0.0.0
no ip directed-broadcast
ip route-cache distributed
!
interface Ethernet0/3
ip address 209.165.201.18 255.0.0.0
no ip directed-broadcast
no ip mroute-cache
mpls label protocol ldp
mpls ip
!
router ospf 10
log-adjacency-changes
auto-cost reference-bandwidth 1000
redistribute connected subnets
passive-interface Serial3/0/0
network 209.165.200.225 0.0.0.0 area 100
network dd.0.0.0 0.255.255.255 area 100

router bgp 100
bgp log-neighbor-changes
timers bgp 10 30
neighbor 10.0.0.1 remote-as 100
neighbor 10.0.0.1 update-source Loopback0
neighbor kk.0.0.1 remote-as 200
no auto-summary
!
address-family ipv4
redistribute ospf 10 ! Redistributing IGP into BGP
neighbor 10.0.0.1 activate ! so that PE1 & RR1 loopbacks
neighbor 10.0.0.1 send-label ! get into BGP table
neighbor 209.165.201.3 activate
neighbor 209.165.201.3 advertisement-interval 5
neighbor 209.165.201.3 send-label
neighbor 209.165.201.3 route-map IN in ! Accepting routes specified in route map IN
neighbor 209.165.201.3 route-map OUT out ! Distributing routes specified in route map
OUT
no auto-summary
no synchronization
exit-address-family
!
ip default-gateway 3.3.0.1
ip classless
!
access-list 1 permit 203.0.113.1 log
access-list 2 permit 209.165.202.129 log
access-list 3 permit 10.0.0.1 log
access-list 4 permit 192.0.2.1 log
!
route-map IN permit 10
match ip address 2
match mpls-label
!

```

```

route-map IN permit 11
  match ip address 4
  !
route-map OUT permit 12
  match ip address 3
  !
route-map OUT permit 13
  match ip address 1
  set mpls-label
  !
end

```

## Configuration Example: Route Reflector 2 (Non MPLS VPN Service Provider)

RR2 exchanges VPNv4 routes with RR1 using multihop, multiprotocol EBGP. This configuration also specifies that the next hop information and the VPN label are preserved across the autonomous systems.

```

ip subnet-zero
ip cef
!
interface Loopback0
  ip address 192.0.2.1 255.255.255.255
  no ip directed-broadcast
  !
interface Serial1/1
  ip address 209.165.201.10 255.0.0.0
  no ip directed-broadcast
  no ip mroute-cache
  !
router ospf 20
  log-adjacency-changes
  network 192.0.2.1 0.0.0.0 area 200
  network 209.165.201.20 0.255.255.255 area 200
  !
router bgp 200
  bgp cluster-id 1
  bgp log-neighbor-changes
  timers bgp 10 30
  neighbor 10.0.0.1 remote-as 100
  neighbor 10.0.0.1 ebgp-multihop 255
  neighbor 10.0.0.1 update-source Loopback0
  neighbor 209.165.202.129 remote-as 200
  neighbor 209.165.202.129 update-source Loopback0
  no auto-summary
  !
  address-family vpnv4
  neighbor 10.0.0.1 activate
  neighbor 10.0.0.1 next-hop-unchanged           !MH vpnv4 session with RR1
  neighbor 10.0.0.1 send-community extended     !with next-hop-unchanged
  neighbor 209.165.202.129 activate
  neighbor 209.165.202.129 route-reflector-client !vpnv4 session with PE2
  neighbor 209.165.202.129 send-community extended
  exit-address-family
  !
ip default-gateway 3.3.0.1
no ip classless
!
end

```

## Configuration Examples: ASBR2 (Non MPLS VPN Service Provider)

ASBR2 exchanges IPv4 routes and MPLS labels with ASBR1. However, in contrast to ASBR1, ASBR2 does not use the RR to reflect IPv4 routes and MPLS labels to PE2. ASBR2 redistributes the IPv4 routes and MPLS labels learned from ASBR1 into IGP. PE2 can now reach these prefixes.

```

ip subnet-zero
ip cef
!
mpls label protocol tdp
!
interface Loopback0
 ip address 209.165.200.226 255.255.255.255
 no ip directed-broadcast
!
interface Ethernet0/1
 ip address 209.165.201.11 255.0.0.0
 no ip directed-broadcast
!
interface Ethernet1/2
 ip address 209.165.201.4 255.0.0.0
 no ip directed-broadcast
 no ip mroute-cache
 mpls label protocol tdp
 mpls ip
!
router ospf 20
 log-adjacency-changes
 auto-cost reference-bandwidth 1000
 redistribute connected subnets
 redistribute bgp 200 subnets          !redistributing the routes learned from
 passive-interface Ethernet0/1         !ASBR2 (EBGP+labels session) into IGP
 network 209.165.200.226 0.0.0.0 area 200      !so that PE2 will learn them
 network 209.165.201.5 0.255.255.255 area 200
!
router bgp 200
 bgp log-neighbor-changes
 timers bgp 10 30
 neighbor 192.0.2.1 remote-as 200
 neighbor 192.0.2.1 update-source Loopback0
 neighbor 209.165.201.21 remote-as 100
 no auto-summary
!
address-family ipv4          ! Redistributing IGP into BGP
 redistribute ospf 20        ! so that PE2 & RR2 loopbacks
 neighbor 209.165.201.21 activate          ! will get into the BGP-4 table
 neighbor 209.165.201.21 advertisement-interval 5
 neighbor 209.165.201.21 route-map IN in
 neighbor 209.165.201.21 route-map OUT out
 neighbor 209.165.201.21 send-label
 no auto-summary
 no synchronization
 exit-address-family
!
address-family vpnv4
 neighbor 192.0.2.1 activate
 neighbor 192.0.2.1 send-community extended
 exit-address-family
!
ip default-gateway 3.3.0.1
ip classless
!
access-list 1 permit 209.165.202.129 log

```



```

access-list 2 permit 203.0.113.1 log
access-list 3 permit 192.0.2.1 log
access-list 4 permit 10.0.0.1 log
!
route-map IN permit 11
  match ip address 2
  match mpls-label
!
route-map IN permit 12
  match ip address 4
!
route-map OUT permit 10
  match ip address 1
  set mpls-label
!
route-map OUT permit 13
  match ip address 3
!
end

```

## Configuration Example: ASBR3 (Non MPLS VPN Service Provider)

ASBR3 belongs to a non MPLS VPN service provider. ASBR3 exchanges IPv4 routes and MPLS labels with ASBR1. ASBR3 also passes the routes learned from ASBR1 to ASBR3 through RR3.




---

**Note** Do not redistribute EBGP routes learned into IBGP if you are using IBGP to distribute the routes and labels. This is not a supported configuration.

---

```

ip subnet-zero
ip cef
!
interface Loopback0
  ip address 209.165.200.227 255.255.255.255
  no ip directed-broadcast
  no ip route-cache
  no ip mroute-cache
!
ip routing
mpls label protocol ldp
mpls ldp router-id Loopback0 force

interface GigabitEthernet1/0/1
ip address 209.165.201.12 255.0.0.0

interface TenGigabitEthernet1/1/1
no switchport
ip address 209.165.201.3 255.0.0.0
load-interval 30
mpls ip

!
router ospf 30
log-adjacency-changes
auto-cost reference-bandwidth 1000
redistribute connected subnets
network 209.165.200.227 0.0.0.0 area 300
network 209.165.201.13 0.255.255.255 area 300
!
router bgp 300
  bgp log-neighbor-changes

```

## Configuration Example: Route Reflector 3 (Non MPLS VPN Service Provider)

```

timers bgp 10 30
neighbor 10.0.0.3 remote-as 300
neighbor 10.0.0.3 update-source Loopback0
neighbor 209.165.201.7 remote-as 100
no auto-summary
!
address-family ipv4
neighbor 10.0.0.3 activate                ! IBGP+labels session with RR3
neighbor 10.0.0.3 send-label
neighbor 209.165.201.7 activate          ! EBGP+labels session with ASBR1
neighbor 209.165.201.7 advertisement-interval 5
neighbor 209.165.201.7 send-label
neighbor 209.165.201.7 route-map IN in
neighbor 209.165.201.7 route-map OUT out
no auto-summary
no synchronization
exit-address-family
!
ip classless
!
access-list 1 permit 203.0.113.1 log
access-list 2 permit 209.165.202.129 log
access-list 3 permit 10.0.0.1 log
access-list 4 permit 192.0.2.1 log
!
route-map IN permit 10
  match ip address 1
  match mpls-label
!
route-map IN permit 11
  match ip address 3
!
route-map OUT permit 12
  match ip address 2
  set mpls-label
!
route-map OUT permit 13
  match ip address 4
!
ip default-gateway 3.3.0.1
ip classless
!
end

```

## Configuration Example: Route Reflector 3 (Non MPLS VPN Service Provider)

RR3 is a non MPLS VPN RR that reflects IPv4 routes with MPLS labels to ASBR3 and ASBR4.

```

ip subnet-zero
mpls label protocol tdp
mpls traffic-eng auto-bw timers
no mpls ip
!
interface Loopback0
  ip address 10.0.0.3 255.255.255.255
  no ip directed-broadcast
!
interface POS0/2
  ip address 209.165.201.15 255.0.0.0
  no ip directed-broadcast
  no ip route-cache cef
  no ip route-cache
  no ip mroute-cache
  crc 16

```

```

    clock source internal
    !
    router ospf 30
      log-adjacency-changes
      network 10.0.0.3 0.0.0.0 area 300
      network 209.165.201.16 0.255.255.255 area 300
    !
    router bgp 300
      bgp log-neighbor-changes
      neighbor 209.165.201.2 remote-as 300
      neighbor 209.165.201.2 update-source Loopback0
      neighbor 209.165.200.227 remote-as 300
      neighbor 209.165.200.227 update-source Loopback0
      no auto-summary
    !
    address-family ipv4
      neighbor 209.165.201.2 activate
      neighbor 209.165.201.2 route-reflector-client
      neighbor 209.165.201.2 send-label                ! IBGP+labels session with ASBR3
      neighbor 209.165.200.227 activate
      neighbor 209.165.200.227 route-reflector-client
      neighbor 209.165.200.227 send-label                ! IBGP+labels session with ASBR4
      no auto-summary
      no synchronization
      exit-address-family
    !
    ip default-gateway 3.3.0.1
    ip classless
    !
  end

```

## Configuration Example: ASBR4 (Non MPLS VPN Service Provider)

ASBR4 belongs to a non MPLS VPN service provider. ASBR4 and ASBR3 exchange IPv4 routes and MPLS labels by means of RR3.




---

**Note** Do not redistribute EBGP routes learned into IBG if you are using IBGP to distribute the routes and labels. This is not a supported configuration.

---

```

ip subnet-zero
ip cef distributed
!
interface Loopback0
  ip address 209.165.201.2 255.255.255.255
  no ip directed-broadcast
  no ip route-cache
  no ip mroute-cache
!
interface Ethernet0/2
  ip address 209.165.201.21 255.0.0.0
  no ip directed-broadcast
  no ip mroute-cache
!
ip routing
mpls label protocol ldp
mpls ldp router-id Loopback0 force

interface GigabitEthernet1/0/1
  ip address 209.165.201.17 255.0.0.0

```

```

interface TenGigabitEthernet1/1/1
no switchport
ip address 209.165.201.14 255.0.0.0
load-interval 30
mpls ip

!
router ospf 30
 log-adjacency-changes
 auto-cost reference-bandwidth 1000
 redistribute connected subnets
passive-interface Ethernet0/2
 network 209.165.201.2 0.0.0.0 area 300
 network 209.165.201.16 0.255.255.255 area 300
 network 209.165.201.13 0.255.255.255 area 300
!
router bgp 300
 bgp log-neighbor-changes
 timers bgp 10 30
 neighbor 10.0.0.3 remote-as 300
 neighbor 10.0.0.3 update-source Loopback0
 neighbor 209.165.201.11 remote-as 200
 no auto-summary
!
 address-family ipv4
 neighbor 10.0.0.3 activate
 neighbor 10.0.0.3 send-label
 neighbor 209.165.201.11 activate
 neighbor 209.165.201.11 advertisement-interval 5
 neighbor 209.165.201.11 send-label
 neighbor 209.165.201.11 route-map IN in
 neighbor 209.165.201.11 route-map OUT out
 no auto-summary
 no synchronization
 exit-address-family
!
ip classless
!
access-list 1 permit 209.165.202.129 log
access-list 2 permit 203.0.113.1 log
access-list 3 permit 192.0.2.1 log
access-list 4 permit 10.0.0.1 log
!
route-map IN permit 10
 match ip address 1
 match mpls-label
!
route-map IN permit 11
 match ip address 3
!
route-map OUT permit 12
 match ip address 2
 set mpls-label
!
route-map OUT permit 13
 match ip address 4
!
ip default-gateway 3.3.0.1
ip classless
!
end

```

# Feature History for Configuring MPLS VPN Inter-AS IPv4 BGP Label Distribution

This table provides release and related information for features explained in this module.

These features are available on all releases subsequent to the one they were introduced in, unless noted otherwise.

Release	Feature	Feature Information
Cisco IOS XE Gibraltar 16.11.1	MPLS VPN Inter-AS IPv4 BGP Label Distribution	This feature enables you to set up a Virtual Private Network (VPN) service provider network. In this network, the Autonomous System Boundary Routers (ASBRs) exchange IPv4 routes with Multiprotocol Label Switching (MPLS) labels of the provider edge (PE) routers.
Cisco IOS XE Cupertino 17.7.1	MPLS VPN Inter-AS IPv4 BGP Label Distribution	This feature was implemented on supervisor modules C9400X-SUP-2 and C9400X-SUP-2XL, which were introduced in this release.

Use Cisco Feature Navigator to find information about platform and software image support. To access Cisco Feature Navigator, go to <http://www.cisco.com/go/cfn>.

