



## Installing a Fan Module

- [Fan Modules Overview](#) , on page 1
- [Installation Guidelines](#), on page 2
- [Installing a Fan Module](#), on page 2
- [Finding the Fan Module Serial Number](#), on page 3

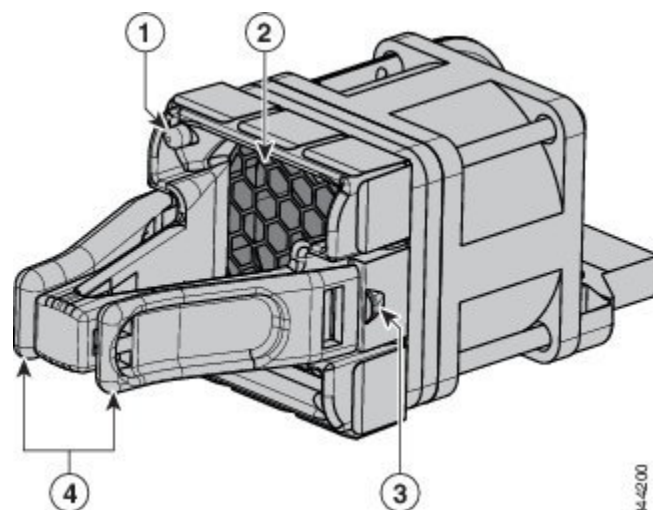
## Fan Modules Overview

All the switches except C9300LM-48T-4Y have three internal hot-swappable fans. A powered switch should always have more than one operational fan. The switch can operate with two operational fans and one nonfunctional fan, but the failed fan should be replaced as soon as possible to avoid a service interruption due to a second fan fault. A switch with one or more fans failed or removed will operate with fans at a faster speed, producing increased sound.



**Danger** Sharp edges on the fan module can cause serious injury. Keep fingers clear.

*Figure 1: Fan Module*



1	Fan LED	3	Retainer clip
---	---------	---	---------------

2	Exhaust vent	4	Extraction handles
---	--------------	---	--------------------



**Note** The switch requires three fans for proper cooling.

## Installation Guidelines

Observe these guidelines when removing or installing a fan module:

- Do not force the fan module into the slot. This can damage the pins on the switch if they are not aligned with the module.
- A fan module that is only partially connected to the switch can disrupt the system operation.
- The switch supports hot swapping of the fan module. You can remove and replace the module without interrupting normal switch operation.



**Warning** Only trained and qualified personnel should be allowed to install, replace, or service this equipment. Statement 1030

## Installing a Fan Module

### Procedure

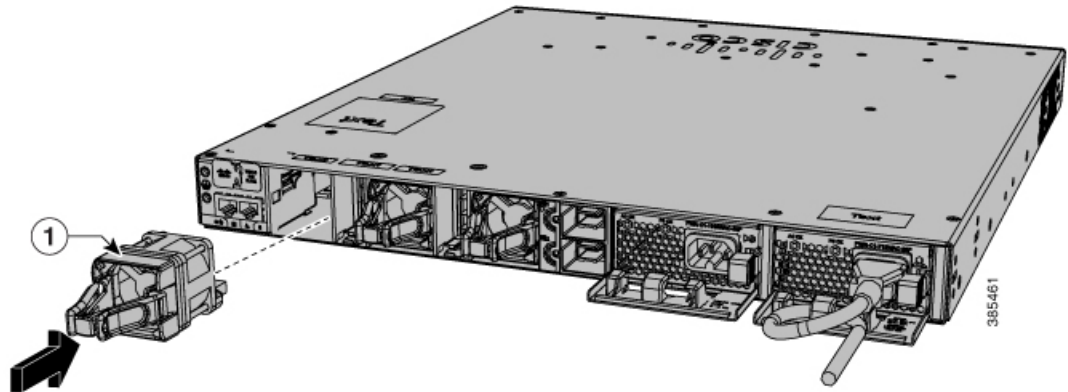
**Step 1** Pinch the fan module release handle, and slide the module out.

**Caution** You should replace the fan module within 5 minutes to avoid overheating the switch.

**Step 2** Install the fan module in the fan slot, and firmly push it into the slot, applying pressure to the end of the module, not the extraction handles. When correctly inserted, the fan module is flush with the switch rear panel. When the fan is operating, a green LED is on in the top left corner of the fan.

**Warning** Do not reach into a vacant slot when installing or removing a module. Exposed circuitry is an energy hazard. Statement 206

Figure 2: Installing the Fan Module



1	Fan LED
---	---------

**Note** Ensure that the fans are inserted correctly to match the corresponding power supplies. Fans with blue handles correspond to power supplies with blue handles, and fans with red handles correspond to power supplies with red handles.

## Finding the Fan Module Serial Number

If you contact Cisco Technical Assistance regarding a fan module, you need to know the fan module serial number. See the following illustration to find the serial number.

Figure 3: Fan Module Serial Number

