



## Installing a Fan Module

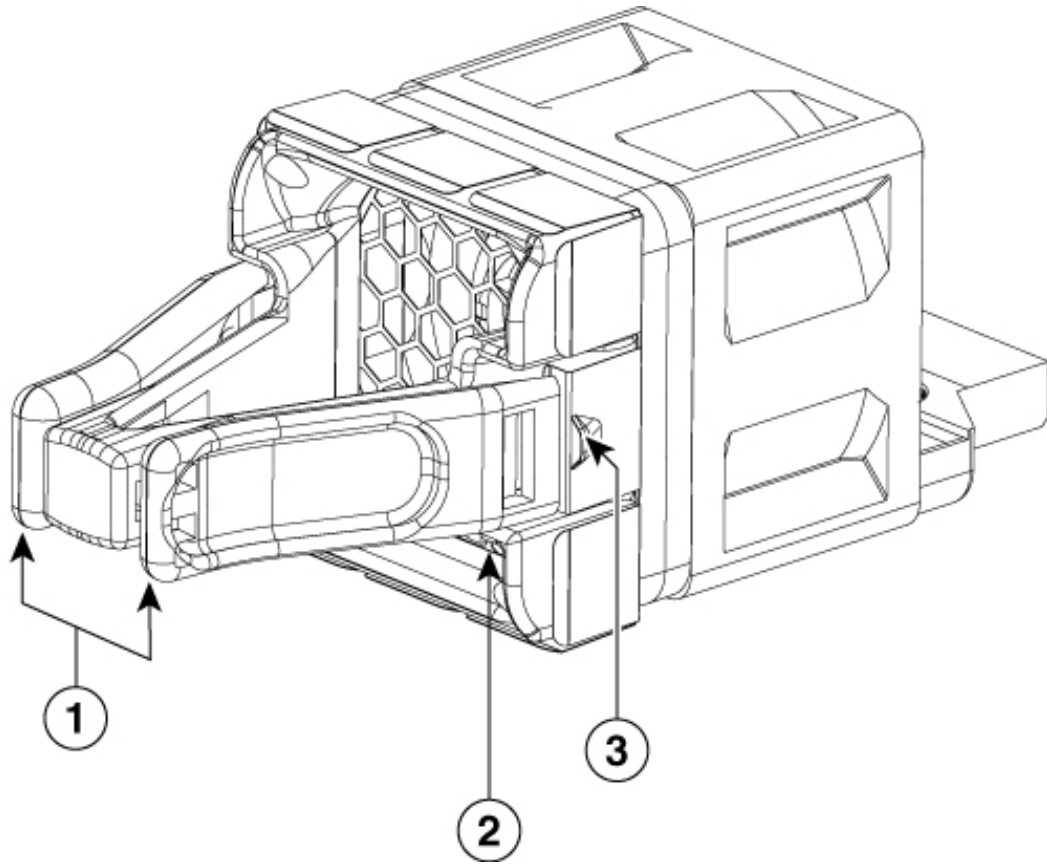
---

- [Fan Modules Overview](#) , on page 1
- [Installation Guidelines](#), on page 2
- [Installing a Fan Module](#), on page 3
- [Finding the Fan Module Serial Number](#), on page 3

### Fan Modules Overview

Cisco Catalyst 9200 (C9200) Series switches support two field-replaceable fan modules providing N+1 redundancy support. The switch should be able to operate at ambient temperature if one of the fans fails.

Figure 1: Fan Module



355975

1	Extraction handles	3	Retainer clip
2	Fan LED		

## Installation Guidelines

Observe these guidelines when removing or installing a fan module:

- Do not force the fan module into the slot. This can damage the pins on the switch if they are not aligned with the module.
- A fan module that is only partially connected to the switch can disrupt the system operation.
- The switch supports hot swapping of the fan module. You can remove and replace the module without interrupting normal switch operation.



**Warning**

Only trained and qualified personnel should be allowed to install, replace, or service this equipment. Statement 1030

# Installing a Fan Module

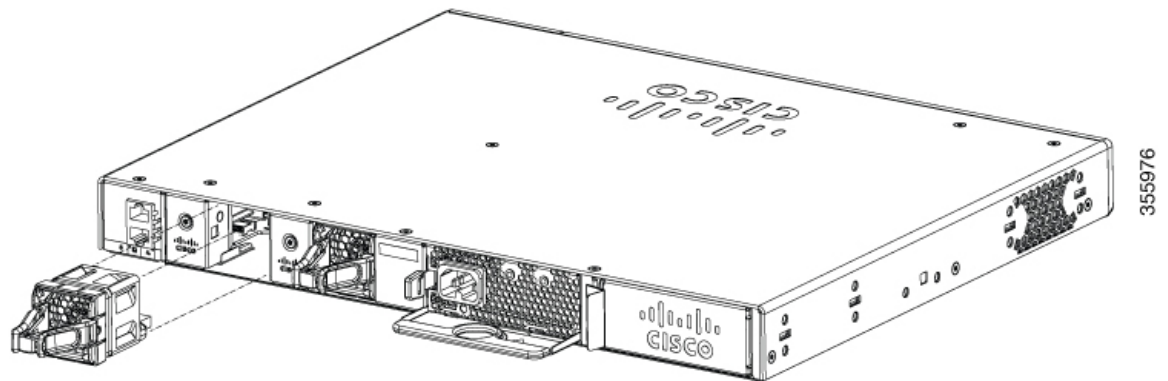
## Procedure

**Step 1** Pinch the fan module release handle, and slide the module out.

**Caution** You should replace the fan module within 5 minutes to avoid overheating the switch.

**Step 2** Install the fan module in the fan slot, and firmly push it into the slot, applying pressure to the end of the module, not the extraction handles. When correctly inserted, the fan module is flush with the switch rear panel. When the fan is operating, a green LED is on in the top left corner of the fan.

*Figure 2: Installing a Fan Module*



**Warning** Do not reach into a vacant slot when installing or removing a module. Exposed circuitry is an energy hazard. Statement 206

## Finding the Fan Module Serial Number

If you contact Cisco Technical Assistance regarding a fan module, you need to know the fan module serial number. See the following illustration to find the serial number.

Figure 3: Fan Module Serial Number

