



Installing the Modular Port Card

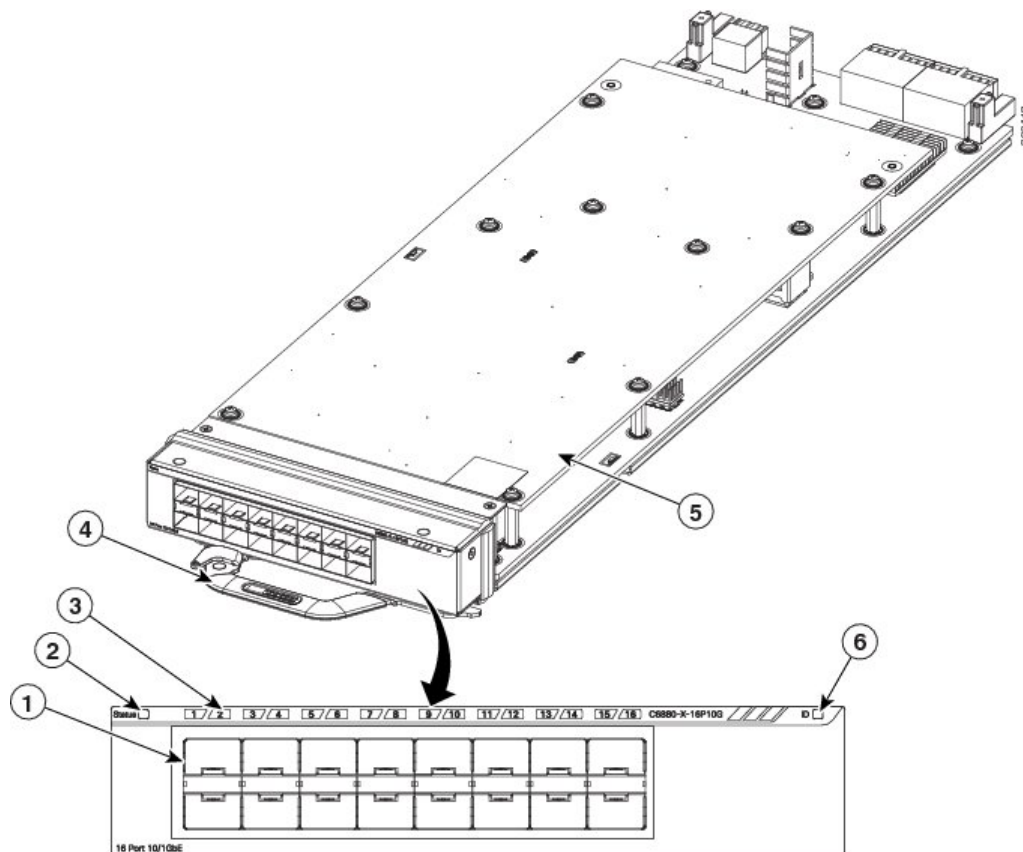
- [Port Card Overview, page 1](#)
- [Modular Port Card LEDs, page 2](#)
- [Modular Port Card Installation , page 3](#)
- [Installing a Modular Port Card, page 4](#)
- [Installing SFP and SFP+ Transceiver Modules in the Port Card, page 6](#)
- [Removing SFP or SFP+ Modules from the Modular Port Card, page 8](#)
- [Removing a Modular Port Card, page 10](#)
- [Finding the Modular Port Card Serial Number, page 12](#)

Port Card Overview

Each chassis supports up to four hot-swappable modular port cards that provide uplink ports to connect to other devices. The chassis should only be operated with either a modular port card installed or a blank module installed in the half-modular slots.

Port Card Model	Description
C6880-X-LE-16P10G	Multirate port card with standard tables. This module has 16 10-Gigabit, 1-Gigabit, or 100BASE-FX fiber-optic slots, which support 1-Gigabit SFPs, 10-Gigabit SFP+, or 100BASE-FX fiber-optic modules.
C6880-X-16P10G	Multirate port card with XL tables. This module has 16 10-Gigabit, 1-Gigabit, or 100BASE-FX fiber-optic slots, which support 1-Gigabit SFPs, 10-Gigabit SFP+, or 100BASE-FX fiber-optic modules.
C6880-X-CVR-E	Blank module.

Figure 1: Modular Port Card (C6880-X-LE-16P10G and C6880-X-16P10G)



1	16 SFP+ or 100BASE-FX SFP ports	4	Extraction handle
2	Status LED	5	Port card
3	Port LEDs	6	ID (blue beacon LED)

For a list of supported SFP and SFP+ modules, see the switch data sheet: http://www.cisco.com/c/en/us/products/collateral/switches/catalyst-6880-x-switch/data_sheet_c78-728228.html.

Modular Port Card LEDs

For information on the modular port card LEDs, see these sections :

- [SFP+ Port LEDs](#)
- [Status LED on the Modular Port Card](#)
- [ID LED on the Modular Port Card](#)

Modular Port Card Installation

Use only supported modular port cards and SFP or SFP+ modules.

**Note**

The switch can operate without a port card, but a blank port card module (with no ports or SFP slots) is available and must be installed when the port card module is not installed.

**Caution**

When installing the port cards, observe these precautions:

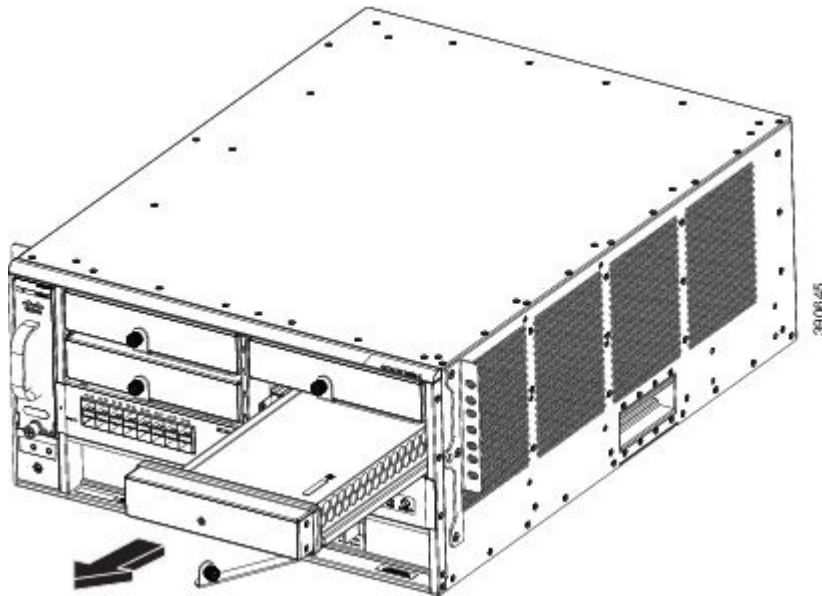
- Do not remove the dust plugs from the fiber-optic SFP or SFP+ modules or the rubber caps from the fiber-optic cable until you connect the cable. The plugs and caps protect the module ports and cables from contamination and ambient light.
 - To prevent ESD damage, follow your normal board and component handling procedures when connecting cables to the switch and other devices.
-

Installing a Modular Port Card

Procedure

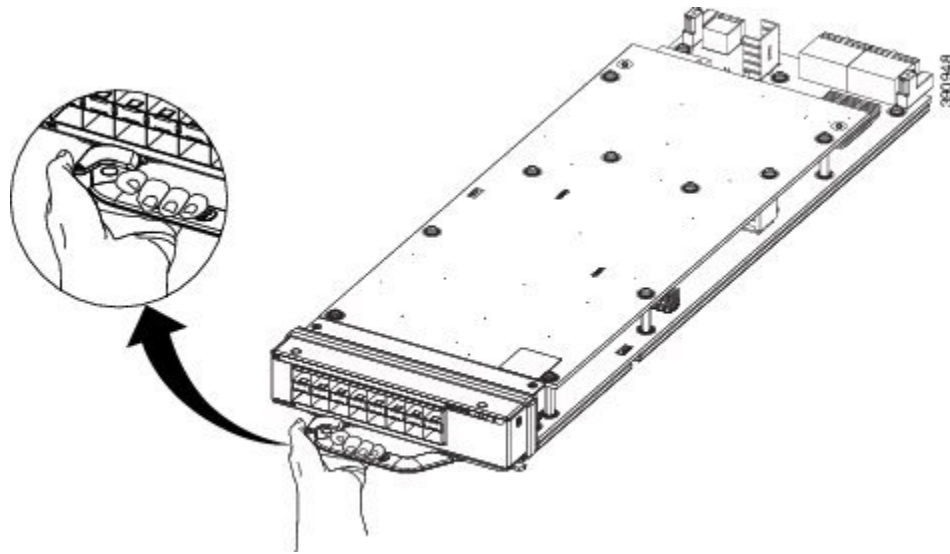
- Step 1** Attach an ESD-preventive wrist strap to your wrist and to an earth ground surface.
- Step 2** Loosen the screw counter-clockwise on the blank module, and pull out the blank module from the chassis.

Figure 2: Removing the Blank Module



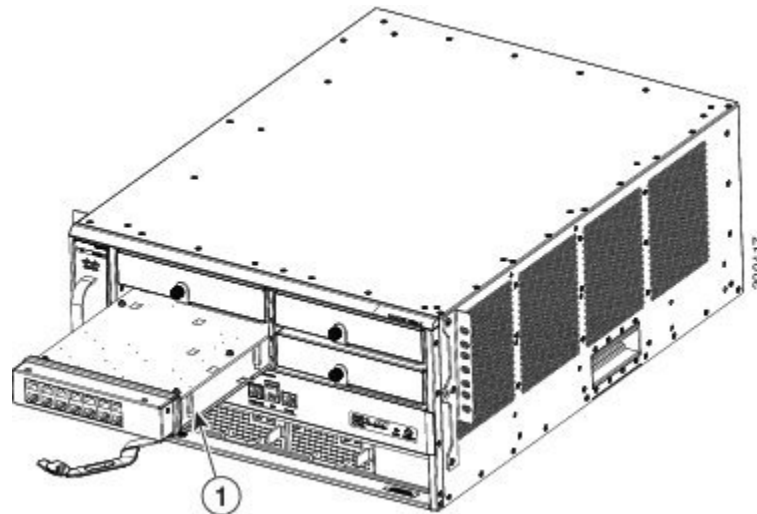
- Step 3** Remove the modular port card from the protective packing.
- Step 4** Press the lever on the extraction handle to release the latch, and rotate the handle outwards.

Figure 3: Pressing the Lever on the Port Card



- Step 5** Insert the port card into the chassis. Slide the port card into the slot until the back of the port card faceplate is flush with the chassis faceplate.

Figure 4: Installing the Modular Port Card



- Step 6** Close the latch on the extraction handle by pressing the lever until you hear a click, and it latches.

Installing SFP and SFP+ Transceiver Modules in the Port Card

Before You Begin

You must have the port card installed to use SFP and SFP+ transceiver modules.



Warning

Class 1 laser product. Statement 1008

Observe these precautions:

- Do not remove the dust plugs from the SFP or SFP+ transceiver modules or the rubber caps from the fiber-optic cable until you are ready to connect the cable. The plugs and caps protect the module ports and cables from contamination and ambient light.
- Removing and installing an SFP or SFP+ transceiver module can shorten its useful life. Do not remove and insert any SFP or SFP+ transceiver module more often than is necessary.



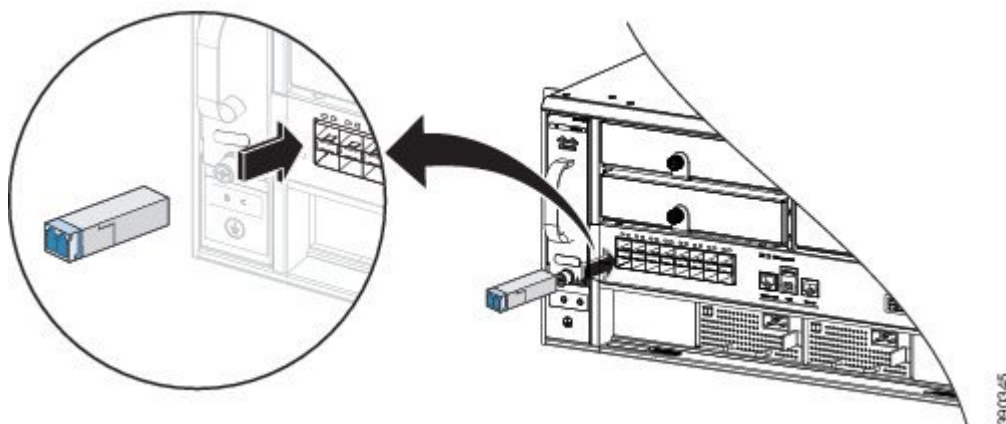
Caution

To prevent ESD damage, follow your normal board and component handling procedures when connecting cables to the switch and other devices.

Procedure

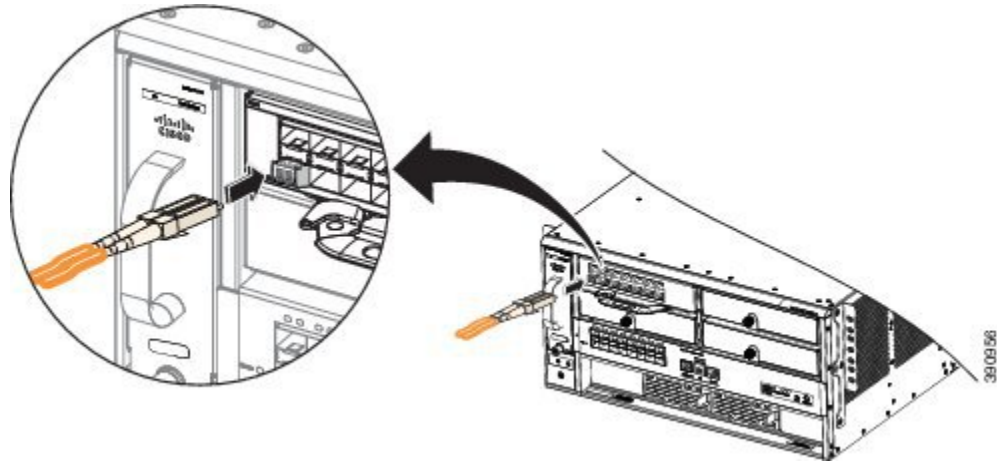
- Step 1** Attach an ESD-preventive wrist strap to your wrist and to an earth ground surface.
- Step 2** Find the send (Tx) and receive (Rx) markings that identify the top of the SFP or SFP+ module. On some SFP transceiver modules, the send and receive (Tx and Rx) markings might be represented by arrows that show the direction of the connection.
- Step 3** If the SFP or SFP+ transceiver module has a bale-clasp latch, move it to the open, unlocked position.
- Step 4** Align the module in front of the slot opening, and push until you feel the connector snap into place.

Figure 5: Installing an SFP Module



- Step 5** If the module has a bale-clasp latch, close it to lock the SFP transceiver module in place.
- Note** If you are inserting the SFP transceiver module in the lower ports, you need to invert the module as shown above.
- Step 6** Remove the SFP or SFP+ dust plugs and save for future use.
- Step 7** Connect the SFP cables.

Figure 6: Connecting the SFP Cable

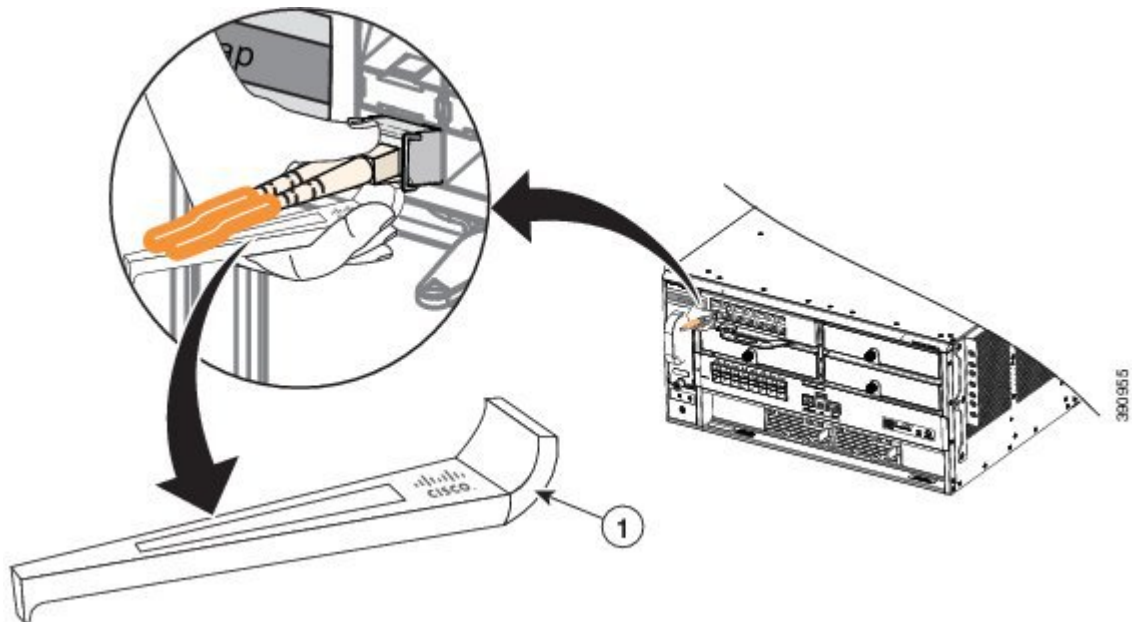


Removing SFP or SFP+ Modules from the Modular Port Card

Procedure

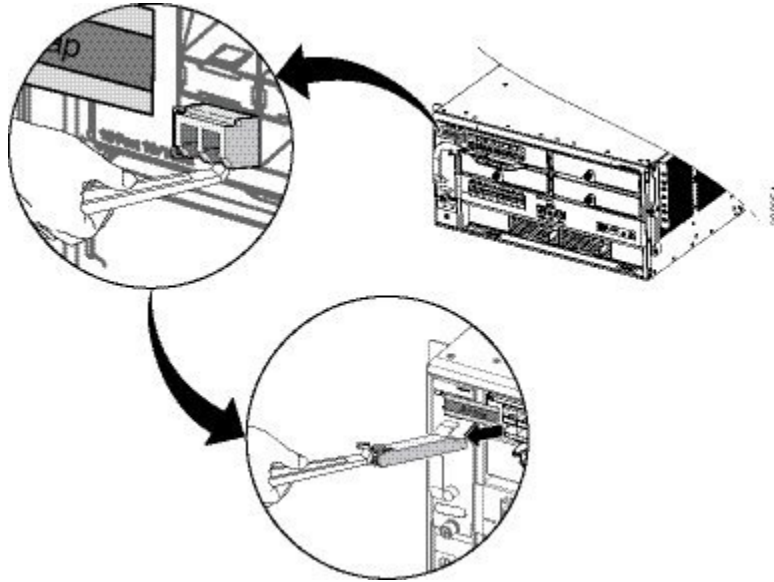
- Step 1** Attach an ESD-preventive wrist strap to your wrist and to an earth ground surface.
- Step 2** If the module has a bale-clasp latch, use the SFP removal tool. Use the optical cable release side of the tool and apply pressure to release the cable latch, and disconnect the cable from the SFP transceiver module.

Figure 7: Removing the Cable from the SFP Module



- Step 3** Use the bale-release latch side of the tool to lift the bale up, and remove the SFP or SFP+ module.

Figure 8: Removing the SFP Module from the Port Card



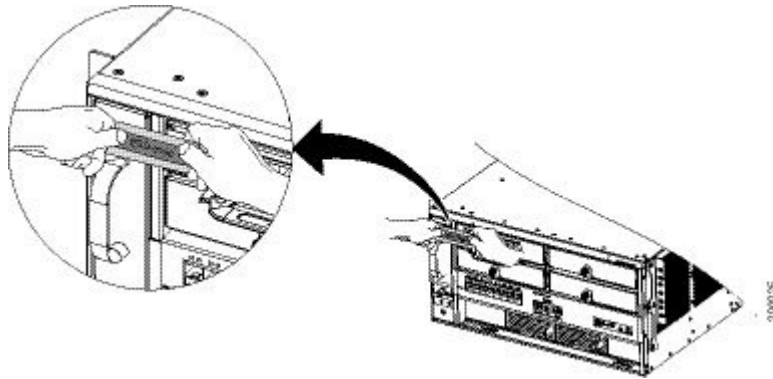
- Step 4** Grasp the SFP or SFP+ transceiver module, and carefully remove it from the slot.
- Step 5** Place the SFP or SFP+ transceiver module in an antistatic bag or other protective environment.

Removing a Modular Port Card

Procedure

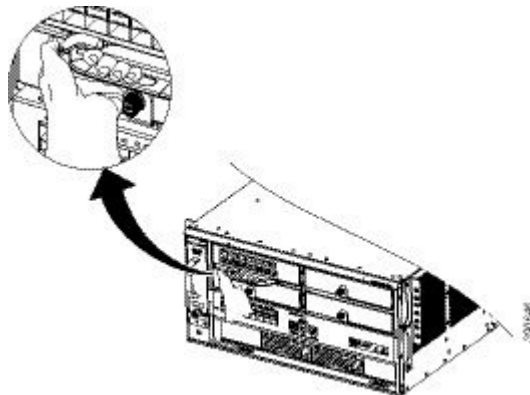
- Step 1** Attach an ESD-preventive wrist strap to your wrist and to an earth ground surface.

Figure 9: Attaching an ESD Strap



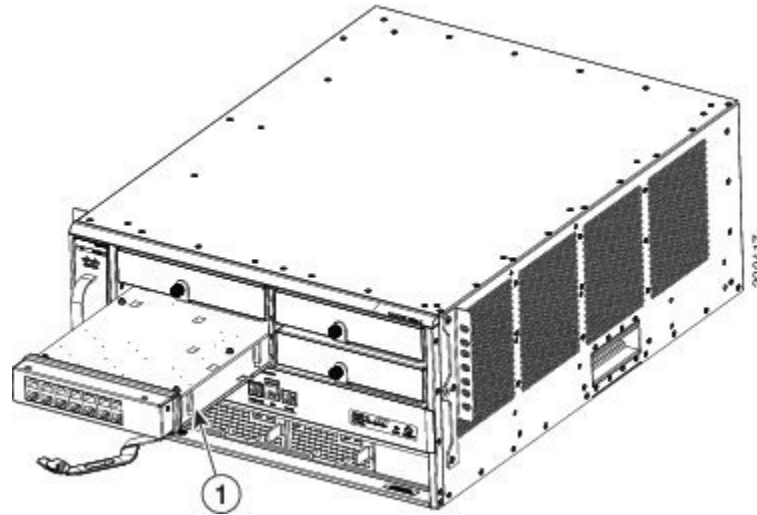
- Step 2** Always remove any cables before removing the port card from the slot. Disconnect the cables from the SFP+ transceiver modules.
- Step 3** (Optional) Remove the SFP+ transceiver modules from the port card.
- Step 4** Press on the extraction handle to release the latch and rotate the handle outwards to extract the card.

Figure 10: Releasing the Latch



Step 5 Grasp the port card, and carefully slide it out of the slot. You can use the other hand too.

Figure 11: Removing the Port Card



Step 6 Install a replacement port card or a blank module in the slot.

Step 7 Place the port card that you removed in an antistatic bag or other protective environment.

Note You can close the latch so it locks, and use the handle to carry the port card module.

Finding the Modular Port Card Serial Number

If you contact Cisco Technical Assistance, you need to know the port card serial number. This figure shows where the serial number is located. You can also use the **show version** privileged EXEC command to see the serial number.

Figure 12: Serial Number on the Modular Port Card

