



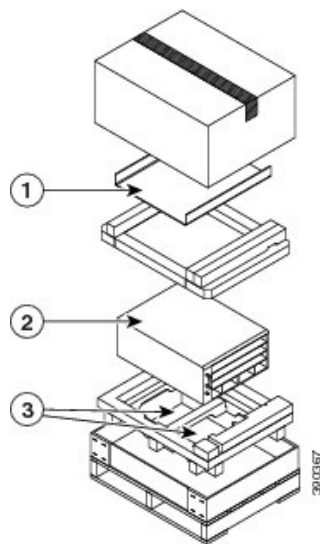
Repacking the Switch

If you need to return or move the switch chassis, follow these steps to repack the switch using the original packaging material.

Procedure

- Step 1** Set the chassis in the bottom pallet.

Figure 1: Packing Material



- Step 2** Place the packing bag over the chassis.
- Step 3** Place the front-packing material and power supply packing material around the chassis.
- Step 4** Place the power supplies in the spaces provided in the power supply packing material.
- Step 5** Place the top-packing material over the top of the chassis and power supplies.
- Step 6** Place the rack-mount kit and the accessory kit on the top-packing material.
- Note** You must include the accessory kit for the final packaging to fit properly.
- Step 7** Place the outside carton over the entire package.
- Step 8** Fold the outside carton down over the top and seal with packing tape.

- Step 9** Wrap three packing straps tightly around the top and bottom of the package to hold the outside carton and the bottom pallet together.

Figure 2: Final Package

