



APPENDIX **A**

Repacking the Switch

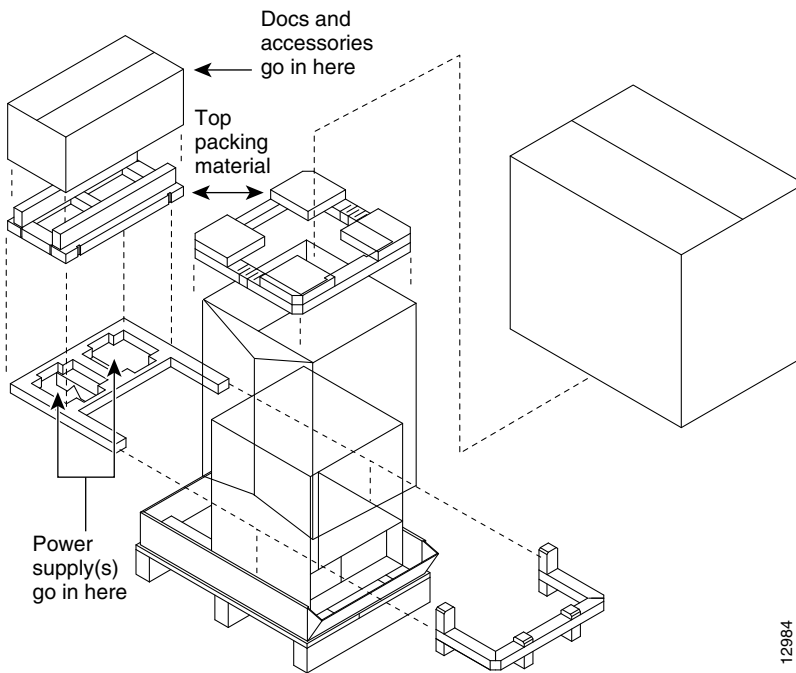
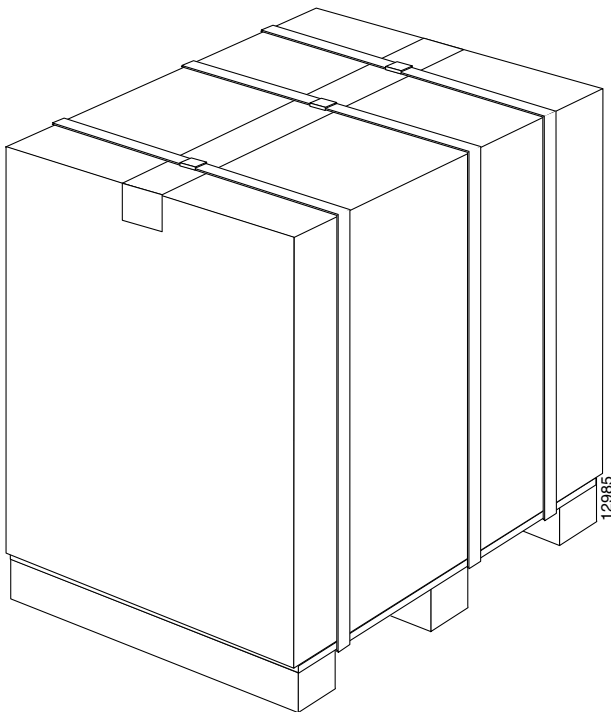
If you need to return or move the Catalyst 6500 series switch chassis, follow these steps to repack the switch using the original packaging material:

-
- Step 1** Set the chassis in the bottom pallet. (See [Figure A-1.](#))
 - Step 2** Place the packing bag over the chassis.
 - Step 3** Place the front-packing material and power supply packing material around the chassis.
 - Step 4** Place the power supplies in the spaces provided in the power supply packing material. (See [Figure A-1.](#))
 - Step 5** Place the top-packing material over the top of the chassis and power supplies.
 - Step 6** Place the rack-mount kit and the accessory kit on the top-packing material.



Note You must include the accessory kit for the final packaging to fit properly.

- Step 7** Place the outside carton over the entire package.
 - Step 8** Fold the outside carton down over the top and seal with packing tape.
 - Step 9** Wrap three packing straps tightly around the top and bottom of the package to hold the outside carton and the bottom pallet together. (See [Figure A-2.](#))
-

Figure A-1 *Packing Material***Figure A-2** *Final Package***Note**

Do not use tape to hold the outside carton to the bottom pallet. Packing straps must be added to hold the entire package together and to add strength to the package.