



# Specifications

---

Revised: January 4, 2012

This appendix provides cable and power supply technical specifications for the Catalyst 4900M switches.

## Console Port

The console port is an RJ-45 receptacle. The Request to Send (RTS) signal tracks the state of the Clear to Send (CTS) input. [Table 1-1](#) lists the console port pinouts.

**Table 1-1** Console Port Pinouts

| Pin | Signal | Direction | Description         |
|-----|--------|-----------|---------------------|
| 1   | RTS    | output    | request to send     |
| 2   | DTR    | output    | data terminal ready |
| 3   | TXD    | output    | transmit data       |
| 4   | GND    | —         | —                   |
| 5   | GND    | —         | —                   |
| 6   | RXD    | input     | receive data        |
| 7   | DSR    | input     | data set ready      |
| 8   | CTS    | input     | clear to send       |



**Note**

A console cable is not provided in the accessory kit. It can be ordered as an option.

---

## 10/100/1000BASE-T Management Port

The 10/100/1000BASE-T management port is an RJ-45 receptacle with a Link Status LED. [Table 1-2](#) lists the 10/100/1000BASE-T port pinouts.

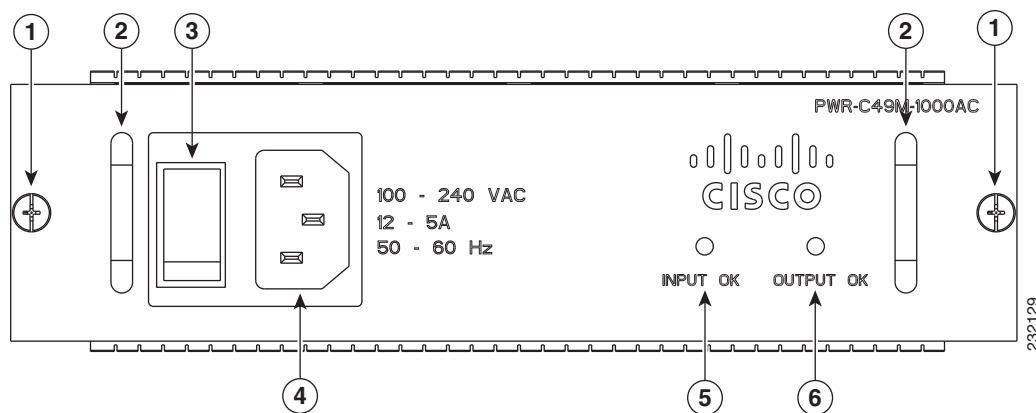
**Table 1-2** 10/100BASE-T Port Pinouts

| Pin | Signal | Direction | Description   |
|-----|--------|-----------|---------------|
| 1   | RXDP   | input     | receive data  |
| 2   | RXDN   | input     | receive data  |
| 3   | TXDP   | output    | transmit data |
| 4   | unused | —         | —             |
| 5   | unused | —         | —             |
| 6   | TXDN   | output    | transmit data |
| 7   | unused | —         | —             |
| 8   | unused | —         | —             |

## Catalyst 4900M Switch Power Supply Specifications

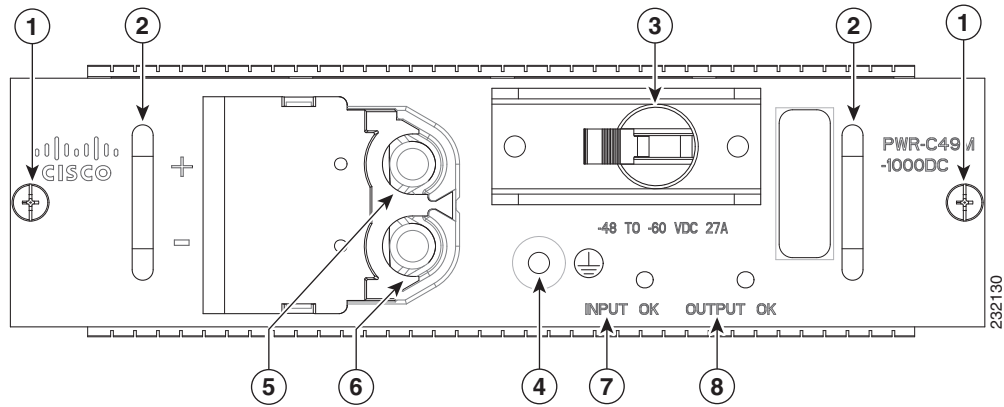
The Catalyst 4900M switch 1000 W AC-input power supply (PWR-C49M-1000AC) is shown in [Figure 1-1](#) with the major features identified. The 1000 W DC-input power supply (PWR-C49M-1000DC) is shown in [Figure 1-2](#) with the major features identified. [Table 1-3](#) list the power supply specifications.

**Figure 1-1** 1000 W AC-Input Power Supply (PWR-C49M-1000AC)



|          |                            |          |                 |
|----------|----------------------------|----------|-----------------|
| <b>1</b> | Captive installation screw | <b>4</b> | AC-in connector |
| <b>2</b> | Handle                     | <b>5</b> | INPUT OK LED    |
| <b>3</b> | Power on/off switch        | <b>6</b> | OUTPUT OK LED   |

**Figure 1-2 1000 W DC-Input Power Supply (PWR-C49M-1000DC)**



|          |                             |          |                                     |
|----------|-----------------------------|----------|-------------------------------------|
| <b>1</b> | Captive installation screws | <b>5</b> | DC-in connector (positive (+) post) |
| <b>2</b> | Handles                     | <b>6</b> | DC-in connector (negative (-) post) |
| <b>3</b> | Power on/off switch         | <b>7</b> | INPUT OK LED                        |
| <b>4</b> | Ground post                 | <b>8</b> | OUTPUT OK LED                       |

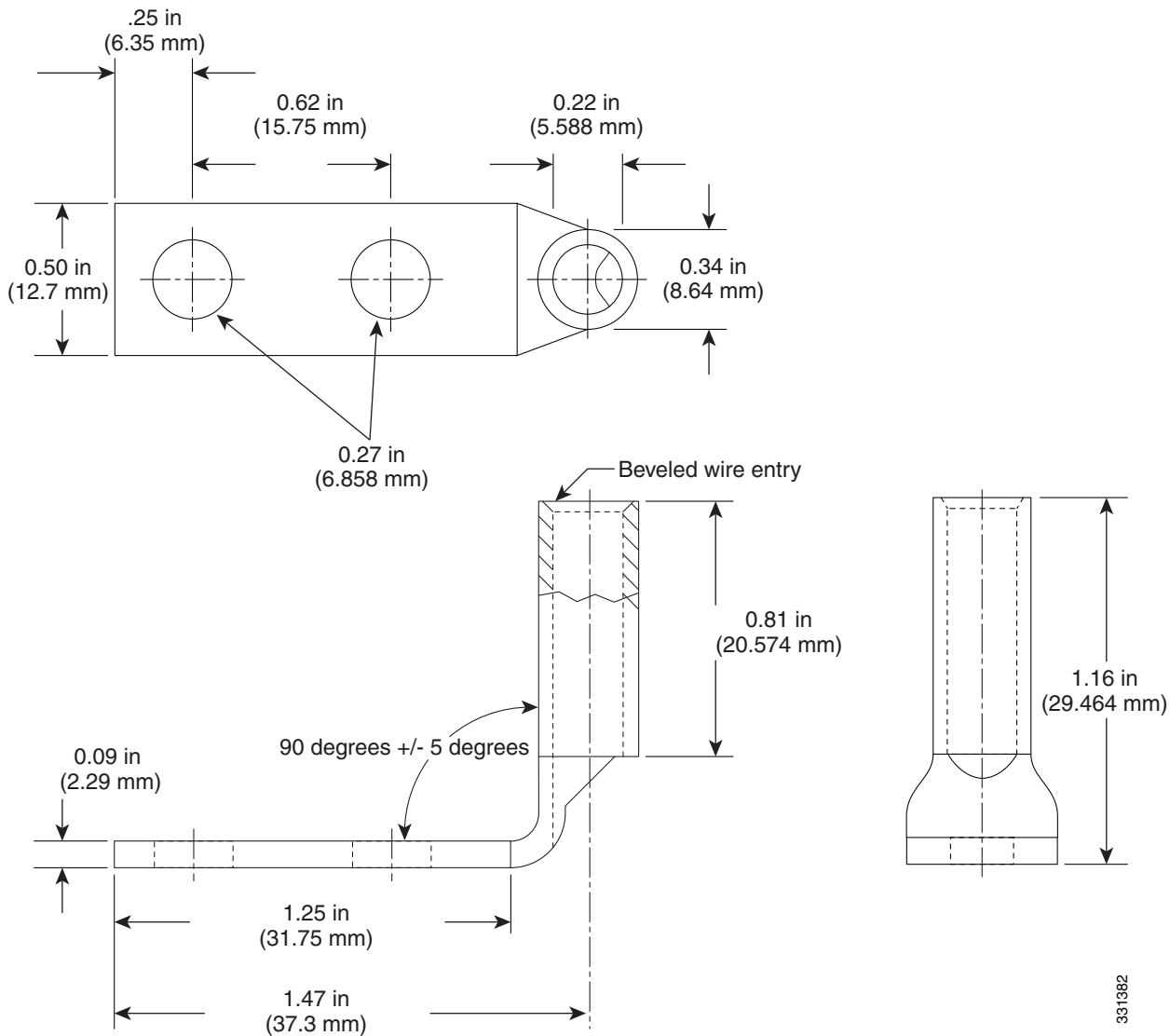
**Note**

DC power cable lugs are not supplied as part of the accessory kit; they must be purchased separately. Suitable DC power cable lugs include:

- For 4 AWG-sized cable—Panduit LCD4-14AF-L or Burndy YA4C-2L-90
- For 6 AWG-sized cable—Panduit LCD6-14AF-L

See [Figure 1-3](#) for the dimensions of a suitably-sized lug.

Figure 1-3 DC Power Cable Lug Dimensions



331362

Table 1-3 lists the AC-input and the DC-input power supply specifications.

**Table 1-3 Catalyst 4900 Series Power Supply Specifications**

| Item                         | Specification                                   |
|------------------------------|---|
| <b>AC-input power supply</b> |   |
| Power supply output          | 960 W   |
| Power supply dissipation     | 240 W   |
| AC-input                     | 12 A maximum @ 100 VAC<br>5 A maximum @ 240 VAC |
| AC frequency                 | 50 to 60 Hz                                     |
| Output current               | 80 A maximum                                    |

**Table 1-3 Catalyst 4900 Series Power Supply Specifications (continued)**

| <b>Item</b>                  | <b>Specification</b>   |
|------------------------------|--|
| Inrush value                 | Cold turn on (PSU on for < 1 hour) 50 A for one cycle of AC  |
| Output voltage               | 12 VDC   |
| Input KVA rating             | 1.200 KVA  |
| <b>DC-input power supply</b> |  |
| Power supply output          | 960 W  |
| Power supply dissipation     | 320 W  |
| DC-input                     | 27 A @ -48 VDC (Operating range -40.5 to -56 VDC)<br>21.6 A @ -60 VDC (Operating range -55 to -72 VDC) |
| Output current               | 80 A maximum   |
| Inrush value                 | Hot turn on (PSU on for > 1 hour) 75 A   |
| Output voltage               | 12 VDC   |
| Input KVA rating             | 1.296 KVA  |

