



## Cisco Nexus 9000v

---

This chapter contains the following sections:

- [About Cisco Nexus 9000v, on page 1](#)
- [Cisco Nexus 9000v Guidelines and Limitations, on page 2](#)
- [Benefits of Virtualization Using the Cisco Nexus 9000v, on page 3](#)
- [Cisco Nexus 9000v Software Functionality, on page 4](#)
- [Cisco Nexus 9000v Resource Requirements, on page 6](#)
- [VMware ESXi Support Information, on page 6](#)
- [KVM-QEMU Support Information, on page 7](#)
- [VirtualBox Support Information, on page 7](#)
- [VMware Fusion Support Information, on page 7](#)
- [Cisco Nexus 9000v Installation and Deployment, on page 7](#)
- [Cisco Nexus 9000v Software Upgrade and Downgrade, on page 8](#)
- [Cisco Nexus 9000v Configuration, on page 8](#)
- [Upgrading Cisco Nexus 9000v Using Disruptive ISSU, on page 8](#)
- [Configuring Disruptive ISSU, on page 9](#)
- [Cisco Nexus 9000v Deployment, on page 9](#)
- [Network Topology Examples , on page 14](#)

## About Cisco Nexus 9000v

The Cisco Nexus 9000v is a virtual platform that is designed to simulate the control plane aspects of a network element running Cisco Nexus 9000 software. The Cisco Nexus 9000v shares the same software image running on Cisco Nexus 9000 hardware platform although no specific hardware emulation is implemented. When the software runs as a virtual machine, line card (LC) ASIC provisioning or any interaction from the control plane to hardware ASIC is handled by the Cisco Nexus 9000v software data plane.

The Cisco Nexus 9000v for the Cisco Nexus 9000 Series provides a useful tool to enable the devops model and rapidly test changes to the infrastructure or to infrastructure automation tools. This enables customers to validate configuration changes on a simulated network prior to applying them on a production network. Some users have also expressed interest in using the simulation system for feature test, verification, and automation tooling development and test simulation prior to deployment. Cisco Nexus 9000v can be used as a programmability vehicle to validate software defined networks (SDNs) and Network Function Virtualization (NFV) based solutions.

# Cisco Nexus 9000v Guidelines and Limitations

Cisco Nexus 9000v has the following guidelines and limitations:

- Cisco Nexus 9000v does not support the VGA console. You must provision a serial console on a VM to access the Nexus 9000v switch prompt on initial boot. See [Deploying the Cisco Nexus 9000v on VirtualBox, on page 12](#) for more information.
- When N9000v VMs are created by KVM hypervisor, the following issues may occur due to the default setting on the Linux Bridge:
  - LLDP communication between the VMs: The LLDP communication is not established between N9000v. For the solution, the following Linux Bridge settings should be configured. (In the example, assume vb7af2d7ab777d0 is the Linux Bridge that is used for connecting two VMs.
    1. Stop STP running on the Linux Bridge using the **brctl setageing vb7af2d7ab777d0 0** command.
    2. Allow LLDP to be forwarded on the Linux Bridge using the **echo 0x4000 > /sys/class/net/vb7af2d7ab777d0/bridge/group\_fwd\_mask** command.
    3. Stop LLDP service running on Linux base host (on which the topology is running) using the **/etc/init.d/lldpd stop** command.
    4. [Optional] Disable multicast snooping using the **echo 0 > /sys/devices/virtual/net/vb7af2d7ab777d0/bridge/multicast\_snooping** command.
  - LACP connection between the VMs: The LACP connection is not formed between eNXOSv. For the solution, complete the following steps:
    - The Linux kernel should be patched.
    - Group forward mask should be set up using the **echo 0x4 > /sys/class/net/vb7af2d7ab777d0/bridge/group\_fwd\_mask** command.
  - The multicast packet may not flow through the Linux Bridge. For the solution, use the **echo 0 > /sys/devices/virtual/net/vb7af2d7ab777d0/bridge/multicast\_snooping** command.
  - Some ports may get into STP blocked port by the Linux Bridge. For the solution, disable the STP running on the Linux Bridge using the **brctl setageing vb7af2d7ab777d0 0** command.
- After initial setup of the Cisco Nexus 9000v, you must configure the booting image in your system. Otherwise, the Cisco Nexus 9000v drops to the `loader>` prompt after reload/shut down.

```
switch# configure terminal
switch(config)# boot nxos bootflash:nxos.9.2.1.bin
switch(config)# copy running-config startup-config
```

- Cisco Nexus 9000v does not support VGA console. You must provision the serial console on any VM to access the Cisco Nexus 9000v switch prompt on initial boot.
- Cisco Nexus 9000v chassis node can be managed using the Cisco Network Manager, such as SNMP.
- The Cisco Nexus 9000v uses vNICs that are entered from the KVM/QEMU command line or from the GUI on ESXi for networking either externally or internally within a hypervisor server. The first NIC is always used as the Cisco Nexus 9000v management interface. The subsequent NICs are used as data ports as

e1/1, e1/2, ... e1/9. Maximum 128 interfaces can be supported on the Cisco Nexus 9000v VM depending on the hypervisor capability. Since currently, only KVM/Qemu hypervisor has this maximum capability, total 129 NICs are required



---

**Note** A maximum of 128 data ports (e1/1, e1/2, ... e1/128) are supported.

---

Connect only the first NIC for the Cisco Nexus 9000v VM as the management interface to your LAN physical switch or vSwitch (VM Network) connecting directly to a physical switch. Do not connect any data port vNIC to any physical switch that conflicts with your server management connectivity.

- Cisco Nexus 9000v only supports the ESXi standard vSwitch when VMs are interconnected within a hypervisor or an external physical switch.
- The vSwitch mapping to data port interface is required to have Promiscuous Mode as the Accept mode in order to pass traffic between VMs.
- The Cisco Nexus 9000v operates as a bridge that generates BPDU packets on its Ethernet interfaces as it participates in Spanning Tree Protocol (STP). It also forwards broadcast, unknown unicast, and multicast traffic as expected by classic bridging logic. Do not connect the Cisco Nexus 9000v data plane interfaces to the upstream network in a manner that would create bridging loops or interfere with upstream STP operation.
- Cisco Nexus 9000v is supported in the Virtual Internet Routing Lab (VIRL) and the Cisco Modeling Lab (CML) environment running as a VM.
- VXLAN BGP EVPN is supported on Cisco Nexus 9000v. For details on VXLAN configuration, see the [Cisco Nexus 9000 Series NX-OS VXLAN Configuration Guide](#).
- Beginning with Cisco NX-OS Release 9.2(1), VXLAN EVPN multi-site is supported on Cisco Nexus 9000v. For details on VXLAN EVPN multi-site configuration, see the [Cisco Nexus 9000 Series NX-OS VXLAN Configuration Guide](#).
- When you configure the supported Cisco Nexus 9000 features on Cisco Nexus 9000v, it is necessary that you configure the TCAM carving. For example, when configuring ARP suppression with BGP-EVPN, use the **hardware access-list tcam region arp-ether size double-wide** command to accommodate ARP in this region. (You must decrease the size of an existing TCAM region before using this command.)
- Beginning with Cisco NX-OS Release 9.3(5), the **show interface counters** is supported for analyzing packet-flow on network topology. The users can use CLI or any SNMP query to get traffic flow counters on a N9Kv device.
- Statistics for Routed packet and Multicast packets are not supported.

## Benefits of Virtualization Using the Cisco Nexus 9000v

This virtual platform provides these virtualization benefits in a cloud environment and you are not limited to the type of hardware as well as other resources.

Benefits	Description
Hardware Independence	This virtual platform provides these virtualization benefits in a cloud environment and users is not limited to hardware as well as other resources.  <b>Note</b> The minimum RAM/memory requirement for an Cisco Nexus 9000v based VM is 5GB
Resource Sharing	The resources used by Cisco Nexus 9000v are managed by the hypervisor, and can be shared among VMs. The amount of hardware resources that VM sever allocates to a specific VM, can be reallocated to another VM on the server.
Flexibility in Deployment	You can easily move a VM from one server to another, Thus, you can move the Cisco Nexus 9000v from a server in one physical location to a server in another physical location without moving any hardware resources.
Dynamic Networking	Users can change network connectivity and configuration in a matter of mins without any physical cabling.

## Cisco Nexus 9000v Software Functionality

### Supported Features

The following table displays specific Layer 2 and Layer 3 software feature support based on branch/lineup.

*Table 1: Supported Layer 2 and Layer 3 Features (Software)*



**Note** The Cisco Nexus 9000v features in this table have been verified to operate only with the Cisco devices mentioned in this document.

If a networking or system feature is not identified as a supported feature in this document, it should be considered as unsupported despite that it may seem to work correctly. Unsupported features did not have any level of regression testing on Cisco Nexus 9000v.

*Table 2: NX-OS Features Not Supported (Not Tested)*

NX-OS Features	Limitations
QoS	Not supported on Cisco Nexus 9000v.
BFD	Not supported on Cisco Nexus 9000v.
ACL	Not supported on Cisco Nexus 9000v.

<b>NX-OS Features</b>	<b>Limitations</b>
Policy maps	Not supported on Cisco Nexus 9000v.
SPAN	Not supported on Cisco Nexus 9000v.
IGMP Snooping	Not supported on Cisco Nexus 9000v.
AMT	Not supported on Cisco Nexus 9000v.

The following list (not comprehensive) contains known system limitations.

**Table 3: NX-OS System Limitations**

<b>System Capabilities</b>	<b>Limitations</b>
MAC Address	Cisco Nexus 9000v does not integrate the L2FM module and L2FDWR data plane. It maintains its own MAC Table. Therefore the behavior of the MAC address related CLIs will be different from the physical platform.
Statistics	Cisco Nexus 9000v does not sure interface statistics.
Consistency Checker	The consistency checker has a hardware dependency and hence is not supported on Cisco Nexus 9000v. All 'show' and 'exec' commands will result with appropriate error/warnings.
Network Throughput	Low data plane performance. Additional rate limiter is in place to limit the total amount of traffic received by Cisco Nexus 9000v to 4M.
TOR-ISSU	TOR-ISSU is not supported.
Link Status	Cisco Nexus 9000v virtual interfaces serve as the 'Ethernet Ports'. The link status of these links within the NX-OS is dependent on the Hypervisor's capability.
Link-down	Connectivity between the two ends of the interface link is simulated, hence it is important that you shut the interface in both the ends, followed by no shut at both the ends of the interface link.

### **Cisco Nexus 9000v Feature UI/CLI Difference From Hardware Platform**

Feature enablement in the Cisco Nexus 9000v virtual platform is the same as Cisco Nexus 9000 hardware platform.

For example, the following features can be enabled:

- **feature telnet**
- **feature bash-shell**
- **feature ospf**
- **feature bgp**
- **feature interface-vlan**
- **feature nv overlay**

However, not all commands are available for Cisco Nexus 9000v, such as hardware data plane specific commands. Some of these commands exist in the command parse chain, but these commands might not display correct output information. It is not possible for the virtual platform to verify all commands on Cisco Nexus 9000v that exist for the Cisco Nexus 9000 hardware platform.

A few commands are critical for Cisco Nexus 9000v to display Layer 2/Layer 3 information, but are not provided for the Cisco Nexus 9000v platform. The following displays substitute commands:

<b>NX-OS Hardware Platform Commands</b>	<b>Substitute for Cisco Nexus 9000v</b>
<b>show mac address-table</b>	<b>show system internal l2fwder mac</b>
<b>clear mac address-table</b>	<b>clear mac address-table datapath static dynamic</b>

## Cisco Nexus 9000v Resource Requirements

The Cisco Nexus 9000v uses the Cisco Nexus 9000 Series hardware software image. It requires the minimum resources as shown in the following list. These resources are generally not oversubscribed on any server.

- Minimum 6G. We recommend a 8G VM configuration for complex topology and enabling features.
- 1-4 vCPUs
- 8G hard disk
- 1 serial port
- 1 network interface card (NIC)

### Server Software Requirements

The Cisco Nexus 9000v can run on Cisco Unified Computing System (UCS) servers or servers from leading vendors that support VMware ESXi 5.1 (Post Build 1065491/ ESXi 5.5) or the combination of Ubuntu Linux 14.04LTS or later version and KVM-QEMU 2.5.

if you only need a standalone Cisco Nexus 9000v node, the Cisco Nexus 9000v can also be deployed on a laptop or and Apple Mac Pro with a virtual box hypervisor as long as your laptop meets basic resource requirements.

## VMware ESXi Support Information

The virtual machine (VM) runs on the VMware vSphere Hypervisor. You can use the same VMware vSphere hypervisor to run serial VMs. Use the VMware vSphere Client GUI to create and manager VMs.

The VMware vSphere Client is an application for creating, configuring, and managing VMs on the VMware vCenter Server. The Cisco Nexus 9000v can boot from a virtual disk located on the data store. You can perform basic administration tasks such as starting and stopping the Cisco Nexus 9000v, using the VMware vSphere Client.

VMWare vCenter Server manages the vSphere environment and provides unified management of all the hosts and VMs in the data center from a single console.

For more information about how Cisco and VMware work together, see <https://www.vmware.com/partners/global-alliances/cisco.html>.

For more information about VMware features and operations, see the <https://www.vmware.com/support/pubs/>

## KVM-QEMU Support Information

The kernel-based Virtual Machine (KVM) is an open-source, full-virtualization solution for Linux on x86 hardware, containing virtualization extensions. It consists of a loadable kernel module, `kvm.ko`, that provides the core virtualization infrastructure and a processor-specific module, `ivm-intel.ko` or `kvm-amd.ko`

Quick Emulator (QEMU) is a free and open-source software product that performs hardware virtualization. You can run QEMU on the Cisco UCS server with KVM installed. The recommended version of QEMU for the Cisco Nexus 9000v reference platform is version 2.2.0 or later.

128 interfaces are supported for Cisco Nexus 9000v switches only on KVM hypervisor. This support is applicable for Ubuntu 14.04.4 LTS and 16.04.3 LTS environments and Qemu distort `qemu-2.10.0-rc3.tar.xz`.

## VirtualBox Support Information

VirtualBox is a powerful x86 and AMD64/Intel 64 virtualization product for enterprise as well as for the home user. It is free software available as Open Source Software under the terms of the GNU General Public License (GPL) version 2 and you can obtain more information and download from <https://www.virtualbox.org/> web site.

## VMware Fusion Support Information

VMware Fusion is also a powerful virtualization product for enterprise as well as PC user.

## Cisco Nexus 9000v Installation and Deployment

Cisco Nexus 9000v currently does not support virtio block disk. To optimize performance, specific virtual artifact formats are recommended to be used in particular hypervisor.

Hypervisor	Virtual Artifact Format
EXSi	Open Virtualization Appliance (ova) <b>Note</b> 9.3 (1) Ova virtual artifact is verified and supported only in ESXI 6.5 version.
KVM/Qemu	QEMU Copy On Write (qcow2), Open Virtualization Appliance (ova)
Virtual Box	packaged box
VMware Fusion	Open Virtualization Appliance (ova)

# Cisco Nexus 9000v Software Upgrade and Downgrade

The software upgrade and downgrade of Cisco Nexus 9000v does not follow normal hardware platform procedures. A common upgrade method for Cisco Nexus 9000v is to tftp or scp a new image into the bootflash, then boot the new image from the loader> prompt or set the boot image in "config t; boot nxos bootflash:new\_image.bin". A similar approach is used for downgrade.



**Note** This approach requires sufficient bootflash disk space to hold another image. As such, the nxos.7.0.3.12.2a image is not upgradable to a new release. In this case, you can create a new VM based on the nxosv-final.7.0.3.12.2d release; and then upgrade to a new release.

## Cisco Nexus 9000v Configuration

Cisco Cisco Nexus 9000v supports the Cisco Virtual Appliance Configuration (CVAC). This out-of-band configuration mechanism is similar to the PowerOn Auto Provisioning (POAP) autoconfiguration, but instead of downloading the configuration across the network as POAP does, CVAC receives the configuration injected into the Cisco Cisco Nexus 9000v environment on a CD-ROM. The configuration is detected and applied at startup time.

CVAC can be used for a bootstrap configuration (supplying just enough configuration to bring the switch into a reachable state suitable for subsequent configuration using Telnet, RESTful APIs, or other standard mechanisms) or a full configuration (taking the entire configuration of another router and replicating it into a newly launched platform VM). The configuration should be in a plain-text file called nxos\_config.txt. You can package the configuration file onto the CD-ROM using the following command:

```
mkisofs -output nxosconfig.iso -l --relaxed-filenames --iso-level 2 <file(s) to add>
```

If the system does not detect a CVAC configuration, the POAP process begins, and the POAP interface prompts you for the initial installation. See the *NX-OS Fundamentals Configuration Guide* for information about POAP for a newly installed switch.

The Cisco Cisco Nexus 9000v supports the same control plane features and configuration that are supported on the Cisco Nexus 9000 Series hardware platforms. The configuration commands for the control plane features follow the same syntax as the Cisco Nexus 9000 Series switches.

## Upgrading Cisco Nexus 9000v Using Disruptive ISSU

ISSU (In-service Software Upgrade) is the software upgrade procedure for Cisco Nexus 9000 platform switches. There are two flavors of the ISSU procedure for Cisco Nexus 9000 platform switches:

- Fast Reload is the ISSU procedure and the following steps take place:
  - The switch loads the NX-OS software image and upgrades the kernel. All applications undergo a stateless cold reboot and they are restarted through the startup configuration.
  - The control plane is disrupted.
  - The data plane is also disrupted.



- Enhanced ISSU: Cisco Nexus 9000v supports disruptive ISSU.
  - Disruptive upgrade mode: Cisco Nexus 9000 platform switches that do not meet the basic enhanced ISSU criteria (for example, 16G memory and hard disk requirement) still use the disruptive upgrade procedure by default. It requires switch reboot to activate the new software release. The disruptive ISSU is only supported for programmability perspective.
  - ISSUD (ISSU Downgrade) is always disruptive.

## Configuring Disruptive ISSU

ISSU and ISSUD are the same procedures and they are both disruptive. No special VM configuration is required for the ISSU upgrade procedure.

Complete the following steps to perform disruptive ISSU procedure:

### Procedure

	Command or Action	Purpose
<b>Step 1</b>	<b>show install all impact nxos bootflash:image.bin</b>	Checks the impact of upgrading the software before actually performing the upgrade.
<b>Step 2</b>	<b>show file bootflash:image.bin sha256sum</b>	Displays the SHA256 checksum for the file to verify the operating system integrity and ensure that the downloaded image is safe to install and use.
<b>Step 3</b>	show install all status	Displays the entire upgrade process.
<b>Step 4</b>	show version	Verifies that the device is running the required software version.
<b>Step 5</b>	<b>install all nxos bootflash:image.bin</b>	Upgrades the Cisco NX-OS software.

## Cisco Nexus 9000v Deployment

### Provisioning Cisco Nexus 9000v in the ESXi Hypervisor Using the Distributed OVA

#### Before you begin

Ensure the following:

- You have installed the ESXi hypervisor.
- The distributed OVA file has been downloaded to the desktop.

## Procedure

---

- Step 1** Log into the ESXi vCenter.
- Step 2** Right-click version 6.5 and select **Deploy OVF Template**.
- Note** Perform the self-guided instructions in the subsequent screens that appear.
- Step 3** In the **Need name** screen, choose **Local file** and click **Browse**. Choose the downloaded distribute OVA file from your desktop.
- Step 4** In the **need name** screen, choose the datacenter(or a folder and enter the VM name).
- Step 5** In the **need name** screen, select an ESXi server for the Virtual Machine to be deployed into, and click **Finish** after the validation.
- Step 6** In the **need name** screen, review the details, and click **Next**.
- Step 7** In the **Configuration** screen click click **Next**.
- Step 8** In the **Select Storage** screen, select the datastore, and click **Next**.
- Step 9** In the **Select Networks** screen, ensure that the following values are selected:
- Source Network name - mgmt 0
  - Destination Network - lab management LAN vSwitch
- It is important that none other vNIC destinations are selected as the lab management LAN vSwitch. Failure to do so will result in management connectivity issues due to the Cisco Nexus 9000v data ports conflict with the physical switches.
- Step 10** In the **Ready to Complete** screen, click **Finish**, and wait for the completion of the process.
- Step 11** Under the **Virtual Hardware** tab, select the **Use Network** panel, and select the following options:
- Direction - Server
  - Port URL - telnet://0.0.0.0:1000, where 1000 is the unique port number in this server.
- Step 12** Under the **Virtual Hardware** tab, select the **Firmware** panel, and choose **EFI**.
- Step 13** Under the **Virtual Hardware** tab, select the **Advance** panel and in the **Edit Configuration** screen, enter the following values in the corresponding fields:
- Name - efi.serialconsole.enabled
  - Column - TRUE
- Click **OK**. This allows you to view the booting up process in both, the VGA and the serial console mode.
- Step 14** Power on the virtual machine.
- 

## Deploying a Cisco Nexus 9000v on a KVM or QEMU in a Hypervisor

The Cisco Nexus 9000v can be brought up in the KVM or QEMU hypervisor. The following table lists the parameters that are supported for the Cisco Nexus 9000v deployment on KVM or QEMU.

Parameter	Example	Description
/path_to/qemu	/usr/bin/qemu-system-x86_64	Path to QEMU executable. (The QEMU software can be downloaded from <a href="http://wiki.qemu.org/download">http://wiki.qemu.org/download</a> for different versions.)
-nographic	-nographic	Recommended, as the Cisco Nexus 9000v does not support VGA.
-bios file	-bios bios.bin	Required. The Cisco Nexus 9000v uses EFI boot and requires a compatible BIOS image to operate.  We recommend using the latest OVMF BIOS file with the SATA controller for better performance in terms of disk operation. QEMU 2.6 is recommended with the SATA controller. To extract the bios file from this rpm package in any Linux machine, enter the following: <code>rpm2cpio edk2.git-ovmf-x64-0-20191016.1281.g1b0c65b9a1.noarch.rpm   cpio -idmv</code>  Look for the bios file located in this directory: <code>./usr/share/edk2.git/ovmf-x64/OVMF-pure-efi.fd</code>
-smp	-smp 4	The Cisco Nexus 9000v supports one to four vCPUs, but two to four are recommended.
-m memory	-m 8096	Memory in MB.
-serial telnet:hostname:port,server,nowait	-serial telnet:localhost:8888,server,nowait  or  -serial telnet:server_ip:8888,server,nowait	Requires at least one.

Parameter	Example	Description
-net ... -net ... or -netdev ... -device ...	<pre> -net socket,lan=xname=r_s,listen=localhost:12000 or -net nic, lan=xmodel=e1000,macaddr=aaabbbccccc -netdev socket,listen=localhost:12000,id=eth_s_f -device e1000,addr=s.f,netdev=eth_s_f, mac=aaabbbccccc,multifunction=on,model= or -netdev tap,ifname=tap_s_f,script=no, downscript=no,id=eth_s_f -device e1000,addr=s.f,netdev=eth_s_f, mac=aaabbbccccc,multifunction=on,model= </pre>	<p>The net/net or netdev/device pairs are for networking a virtual network interface card (vNIC).</p> <p>The _s_f represents the PCI slot number and function number. QEMU 2.0 or above has the capability to plug in at least 20 PCI slots and four functions, which accommodates about 80 vNICs in total. The slot range is from 3 to 19, and the function number range is from 0 to 3.</p> <p>The mac= option passes the MAC address of each vNIC MAC address to the VM interfaces. The first -netdev is automatically mapped to the mgmt0 interface on the VM. The second -netdev is mapped to the e1/1 interface and so on up to the sixty-fifth on e1/64. Make sure these MAC addresses are unique for each network device.</p>
-enable-kvm	-enable-kvm	This flag is required for the Cisco Nexus 9000v.
-drive ... -device ... (for the SATA controller)	<pre> -device ahci, id=ahci0,bus=pci.0 -drive file=img.qcow2, if=none,id=drive-sata-disk0, format=qcow2 -device ide-drive, bus=ahci0.0, drive=drive-sata-disk0, id=drive-sata-disk0 </pre>	<p>Format to use the SATA controller. We recommend using the SATA controller with QEMU 2.6.0 because this controller offers better performance than the IDE controller. However, you can use the IDE controller if you have an early QEMU version that does not support the SATA controller.</p>
-drive ... media=cdrom	-drive file=cfg.iso,media=cdrom	<p>CD-ROM disk containing a switch configuration file that will be applied after the Cisco Nexus 9000v comes up.</p> <ol style="list-style-type: none"> <li>1. Name a text file (nxos_config.txt).</li> <li>2. Use Linux commands to make cfg.iso, mkisofs -o cfg.iso -l --iso-level 2 nxos_config.txt.</li> </ol>

## KVM or QEMU Environment Networking

### Deploying the Cisco Nexus 9000v on VirtualBox

Cisco Nexus 9000v deployment on VirtualBox uses Pre-packaged Box along with Vagrant software. However, the box is created for simple standalone VM deployment with very minimal configuration. This procedure is covered in [Deploying Cisco Nexus 9000v on VirtualBox with Vagrant Using a Pre-Packaged Box, on page 13](#).

Some basic steps and concepts are shown here to create a virtual machine similar to other kinds of VM guests. These instructions are generally for Mac users, but slight differences are highlighted for Window users.

## Deploying Cisco Nexus 9000v on VirtualBox with Vagrant Using a Pre-Packaged Box

See the following customization guidelines and caveats for using Vagrant/vbox:

- The users' customization in Vagrant file is no longer needed.
- There is no need to change the named pipe for Windows users. The serial console can be accessed using port 2023. Now all users can use the **telnet localhost 2023** command to access the serial console using port 2023.
- Now the standard box process is used as any other VM distribution. You can simply bring-up a VM using the base box name.
- The box name can be changed into a different name other than **base** using the **config.vm.box** field.
- The bootstrap configuration is still possible if you want to apply a different configuration on the switch other than pre-baked configuration in **.box** from the release image file. In this case, **vb.customize pre-boot** should be used, for example:

```
vb.customize "pre-boot", [
    "storage attach", :id,
    "--storagectl", "SATA",
    "--port", "1",
    "--device", "0",
    "--type", "dvddrive",
    "--medium", "./nxosv_config.iso", ]
```

- The VM interface MAC address can be customized using the **config.vm.base\_mac** field, but this modification must be done prior to entering the **vagrant up** CLI command and after entering the **vagrant init** CLI command. If you want to modify the MAC address after entering the **vagrant up** CLI command or after the VM is created, the box commands should be used to modify the VM.

For example, enter the **vboxmanage list vms** CLI command to find out the VM that is created by the **vagrant up** CLI command:

```
vboxmanage list vms
```

Use the VM listed from the earlier command output, for example, `test_default_1513628849309_59058` is found from the **vboxmanage list vms** command as displayed in the following example:

```
vboxmanage modifyvm test_default_1513628849309_59058 --macaddress1 080B206CEEAC
```

Complete the following steps to deploy Cisco Nexus 9000v on VirtualBox with Vagrant using a pre-packaged box:

## Deleting the VM

### Procedure

- 
- Step 1** Shut down the VM.

```
nexus9000v-user@fe-ucs-dt13:~/n9kv/box-test$ vagrant halt --force box-test ==> box-test:  
Forcing shutdown of VM..  
nexus9000v-user@fe-ucs-dt13:~/n9kv/box-test$
```

**Step 2** Delete the VM from the system.

```
nexus9000v-user@fe-ucs-dt13:~/n9kv/box-test$ vagrant destroy box-test  
    box-test: Are you sure you want to destroy the 'box-test' VM? [y/N] y  
==> box-test: Destroying VM and associated drives..  
nexus9000v-user@fe-ucs-dt13:~/n9kv/box-test$
```

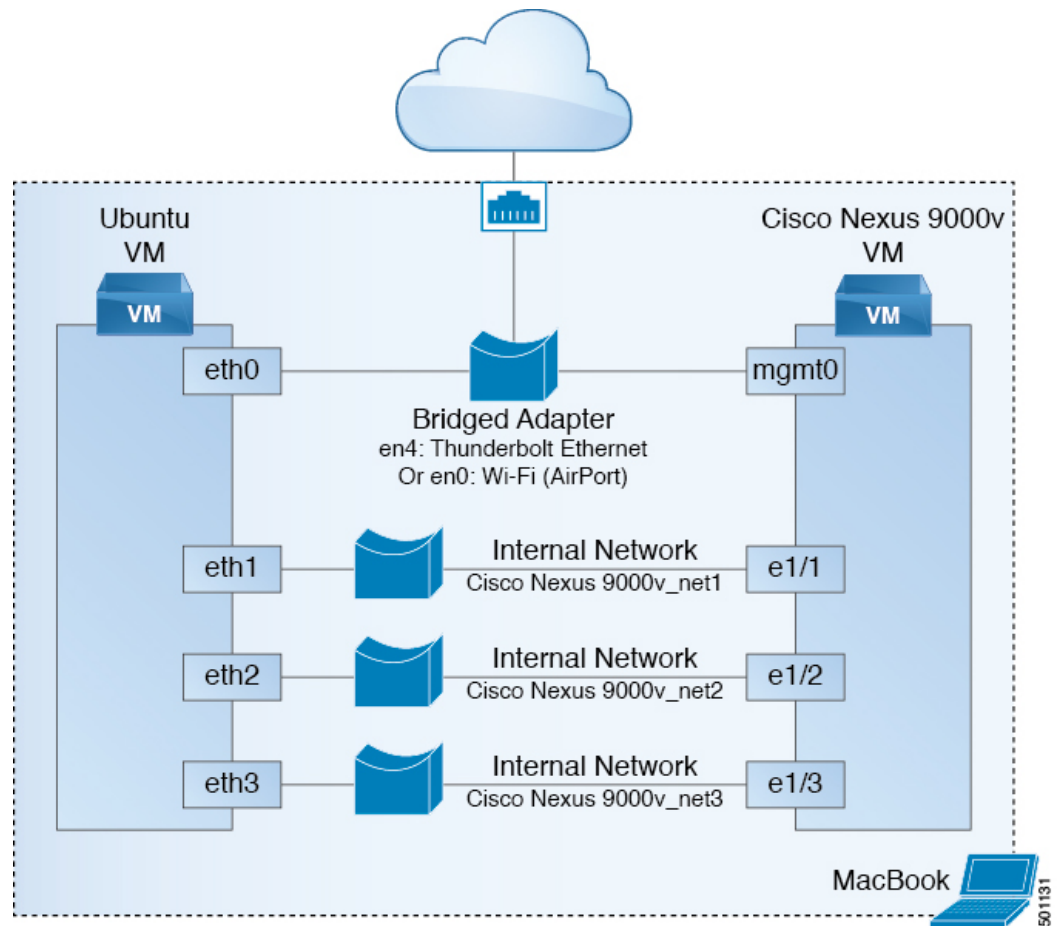
---

## Network Topology Examples

A key advantage of Cisco Nexus 9000v is that you can set up a quick networking topology without hardware or complicated cabling tasks to obtain a look and feel about a Cisco Nexus 9000 switch platform.

For example, you can quickly set up a two node system with a server connecting to a Cisco Nexus 9000 virtual machine on laptop. A more complex system can also be setup with a large resource server to do a multiple node simulation. With the topology, you can do tooling and automation in a simulated network that could be applied in a real customer network environment. The following examples show how to interconnect VMs on a laptop or UCS servers.

### VirtualBox Topology on a Laptop

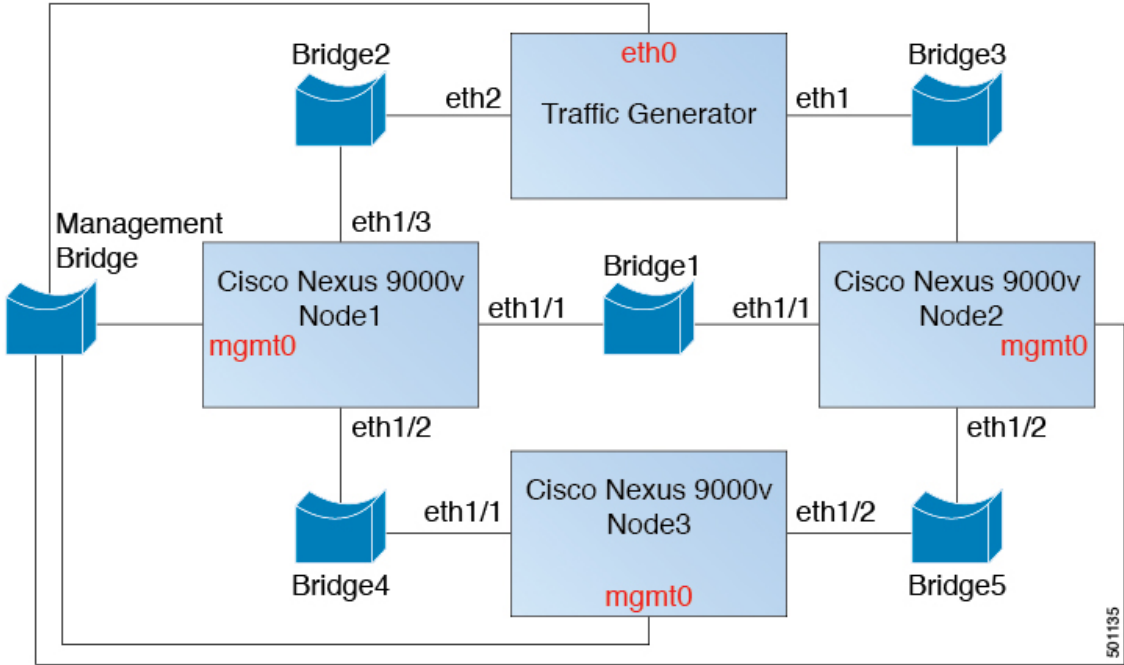


An example diagram above is a typical configuration with Cisco Nexus 9000v and Ubuntu VM two node system. In this case, Both Ubuntu VM and Cisco Nexus 9000v would obtain IPs statically or dynamically via DHCP protocol reachable from cloud. Similarly, both Ubuntu and Cisco Nexus 9000v can be managed through management network. Ubuntu VM can send/receive packets to Cisco Nexus 9000v through Cisco Nexus 9000v data ports, eth1/1, eth1/2, and eth1/3, or ... e1/9.

Key to Setup:

- Bridge or NAT to Laptop physical ethernet port for management connectivity
- Internal Network for data ports between VMs, change "Promiscuous Mode" to "Allow All"

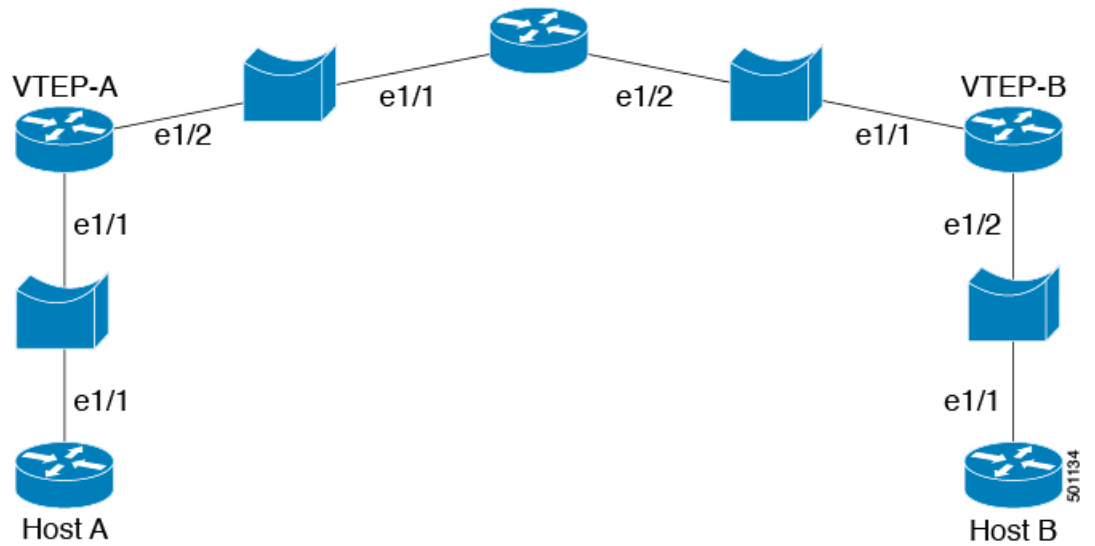
Three Node Topology with Traffic Generator



The nodes in the above diagram are instantiated using the hypervisor specific machine definitions. For networking, each data port interface pair needs to be connected to unique bridge/vSwitch. All the management ports of the Cisco Nexus 9000v (mgmt0) need to be connected to the management bridge and provided a unique IP address, which will enable access to these devices from an external network.

Each data port interface pair that needs to be interconnected should be mapped to the same Bridge/vSwitch. Similar to VirtualBox topology, vSwitch/Bridge must have "Promiscuous Mode" set to "Accept" and "Vlan ID" to "All" for networking to work between Cisco Nexus 9000v nodes. Please read "Troubleshooting" section for hypervisor specific handling for data port communication.



**Five Nodes VXLAN Topology**

This topology can simulate basic vxlan functionality on Cisco Nexus 9000v platform. Similar bridge/vSwitch setup should be done as shown in other topology examples.

