



## Overview

---

- [Overview, on page 1](#)

## Overview

The Cisco Nexus 93108TC-FX3 switch (N9K-C93108TC-FX3) is a 1-rack unit (RU), fixed-port switch designed for deployment in data centers. This switch supports the following ports:

- 48 100M/1G/10GBASE-T ports (ports 1-48)
- 6 40/100-Gigabit ports QSFP28 (ports 49-54)
- Two management ports (one 10/100/1000BASE-T port and one SFP port)
- One console port (RS-232)
- 1 USB port

This switch includes the following user-replaceable components:

- Fan modules (four) with the following airflow choices:
  - Port-side exhaust fan module with blue coloring (NXA-SFAN-35CFM-PE)
  - Port-side intake fan module with burgundy coloring (NXA-SFAN-35CFM-PI)



---

**Note** This switch will power down due to a fan-policy trigger if fewer than 3 fans are operational.

---



---

**Note** Each fan module has two rotors. The switch can function normally if one rotor inside the any one fan module fails. In case of more than one rotor failure, the switch will issue a warning and power down in 2 minute.

---



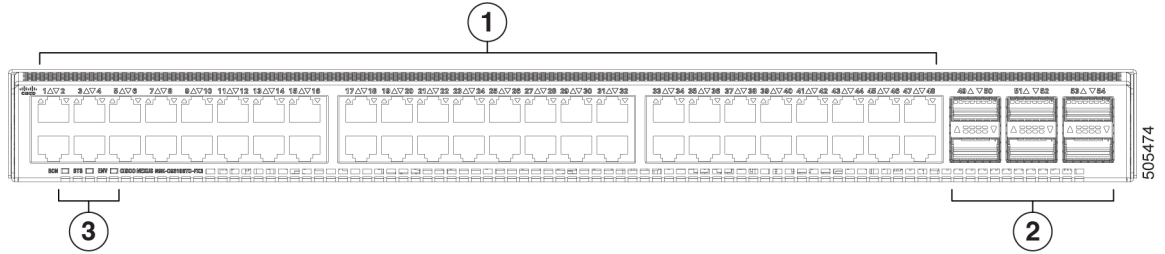
**Note** This switch runs with +1 redundancy mode, so that if one fan fails, the switch can sustain operation. But if a 2nd fan fails, this switch is not designed to sustain operation. Hence before waiting for major threshold temperature to be hit, the switch will power down due to **Powered-down due to fan policy trigger**.

- Power supply modules (two—One for operations and one for redundancy [1+1]) with the following choices:
  - 500-W port-side intake AC power supply with burgundy coloring (NXA-PAC-500W-PI)
  - 500-W port-side exhaust AC power supply with blue coloring (NXA-PAC-500W-PE)
  - 1200-W port-side intake HVAC/HVDC dual-direction power supply with white coloring (N9K-PUV-1200W)
  - 930-W port-side intake DC power supply with burgundy coloring (NXA-PDC-930W-PI)
  - 930-W port-side exhaust DC power supply with blue coloring (NXA-PDC-930W-PE)



**Note** All fan modules and power supplies must use the same airflow direction.

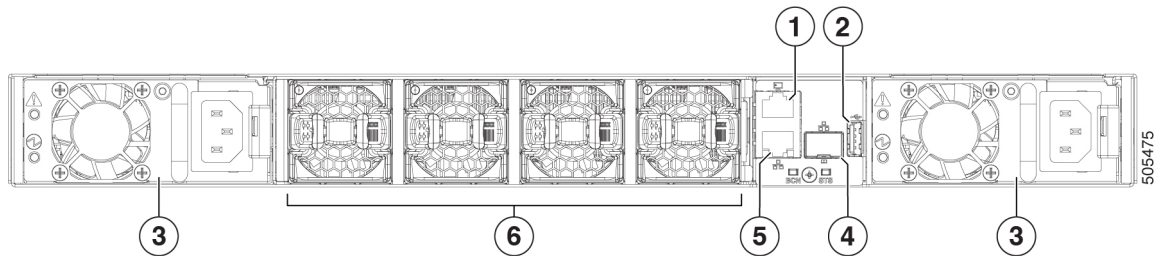
The following figure shows the switch features on the port side of the chassis.



1	48 100M/1G/10GBASE-T ports	2	6 40/100-Gigabit QSFP28 ports
3	BCN, STS, ENV LEDs		

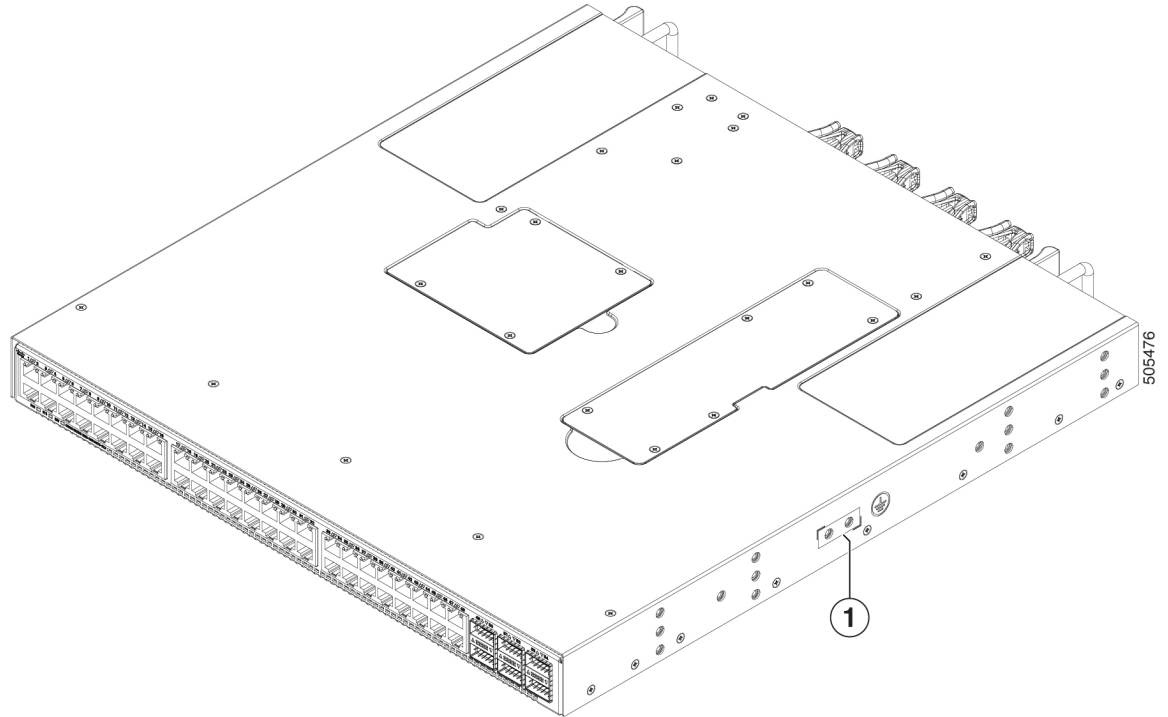
To determine which transceivers, adapters, and cables are support this switch, see the [Cisco Transceiver Modules Compatibility Information](#) document.

The following figure shows the switch features on the power supply side of the chassis.



1	Console port (1)	2	USB port (1)
3	Power supply modules (1 or 2) (AC power supplies shown) with slots numbered 1 (left) and 2 (right)	4	Management port (1—SFP optical port)
5	Management port (1—RJ-45 copper port)	6	Fan modules (4) with slots numbered from 1 (left) to 4 (right)

The following figure shows the side of the chassis.



1	Grounding pad		
---	---------------	--	--

Depending on whether you plan to position the ports in a hot or cold aisle, you can order the fan and power supply modules with port-side intake or port-side exhaust airflow. For port-side intake airflow, the fan and power supplies have burgundy coloring. For port-side exhaust airflow, the fan and power supplies have blue coloring.

The fan and power supply modules are field replaceable. You can replace one fan module or one power supply module during operations so long as the other modules are installed and operating. If you have only one power supply installed, you can install the replacement power supply in the open slot before removing the original power supply.



**Caution**

If the switch has port-side intake airflow (burgundy coloring for fan modules), you must locate the ports in the cold aisle. If the switch has port-side exhaust airflow (blue coloring for fan modules), you must locate the ports in the hot aisle. If you locate the air intake in a hot aisle, the switch can overheat and shut down.

