



Unpack and Install the Chassis



Note The images in this chapter are only for representation purposes, unless specified otherwise. The chassis' actual appearance and size may vary.

- [Unpack the Chassis, on page 1](#)
- [Install Bottom-Support Rails, on page 3](#)
- [Transfer Chassis to a Mechanical Lifting Device, on page 4](#)
- [Mount Chassis Into the Rack, on page 6](#)
- [Install Cable Management on a Chassis , on page 13](#)
- [Attach Front Door to Chassis, on page 16](#)

Unpack the Chassis



Tip Be sure to save the packaging in case you need to return any of the components products.

Ensure that there is sufficient room around the chassis pallet for unpacking. For information about the chassis dimensions and clearance requirements see, *Clearance Requirements*.

Carefully move the pallet containing the chassis to the staging area where you plan on unpacking it.

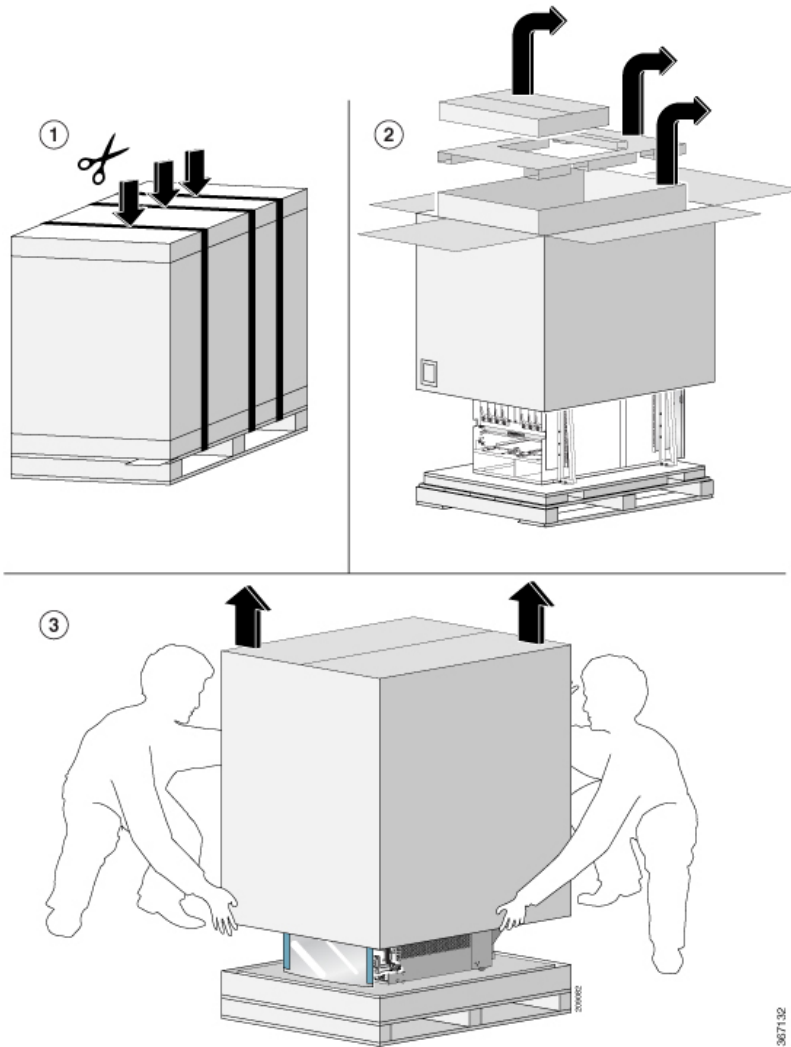
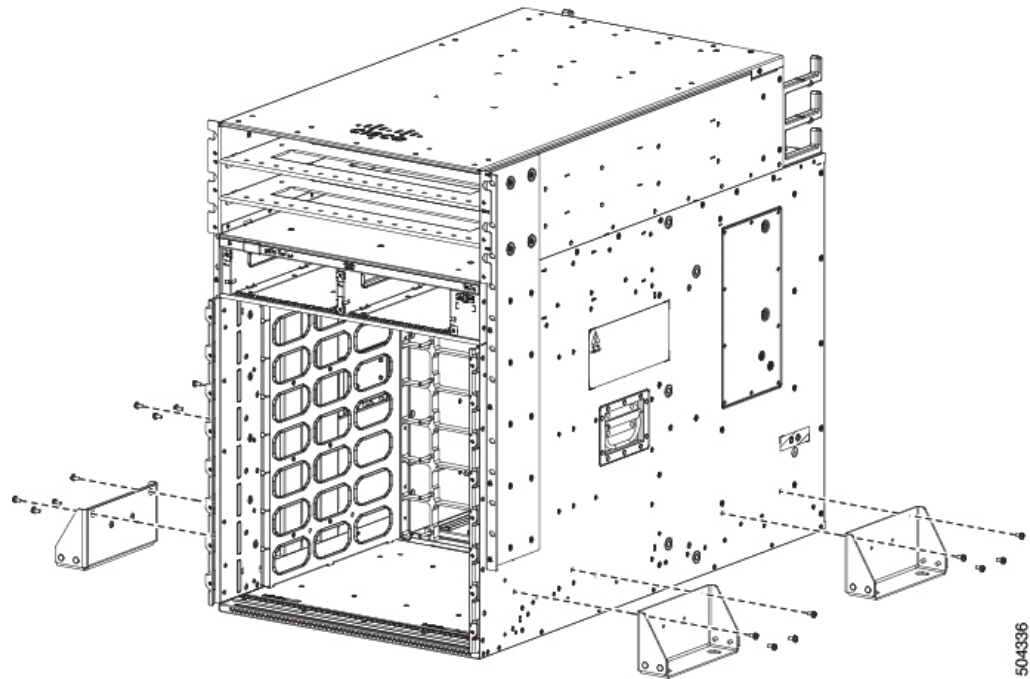


Figure 1: Remove Shipping Brackets from the Chassis



Remove the shipping brackets:

- 16 x M4 screws from the chassis

To make the chassis weigh less for moving, remove the following module and place them where their connectors will not be damaged:

- Fan trays

Leave the chassis on the pallet until you are ready to move and install the chassis in a rack.

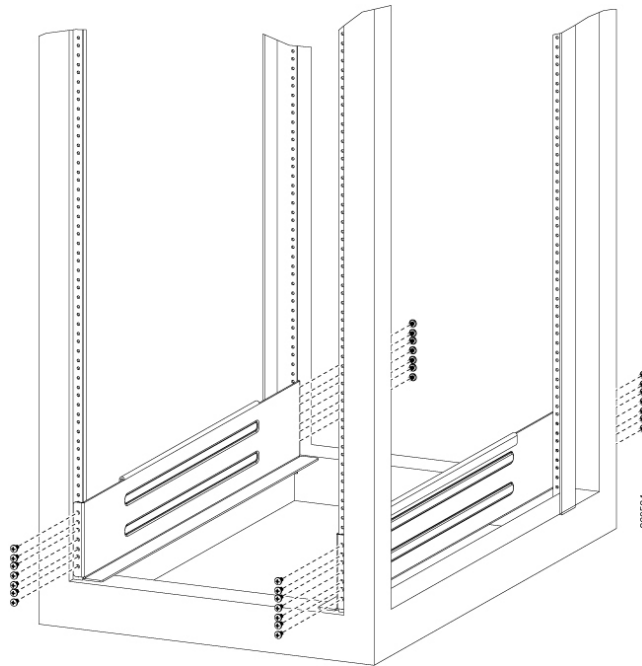
Install Bottom-Support Rails

The bottom-support rails support the weight of the chassis in the rack. To maximize the stability of the rack, you must attach these rails at the lowest possible rack unit (RU).

Procedure

-
- Step 1** Position the vertical rack rails at 32" depth to match with the length of the bottom-support rails. Check spacing considerations.
- Maintain at least 16 RU (28 inches [71.12 cm]) for 9808 chassis of vertical space above support rails.
- Step 2** Attach the bottom-support rail to the rack using a Phillips torque screwdriver on M6 x 19 mm or 12–24 x 3/4 inch screws for each end of the rail (as shown in the following figure) and tighten each screw to 40 in-lbs (4.5 N-m) of torque.

Figure 2: Attach Bottom-Support Rails to a Rack



Note Use at least three screws on each end of each bottom-support rail.

Step 3 Repeat Steps 1 and 2 to attach the other bottom-support rail to the rack.

Note Make sure that the two bottom-support rails are level with one another. If they are not level, adjust the higher rail down to the level of the lower rail.

What to do next

Mount the chassis into the rack.

Transfer Chassis to a Mechanical Lifting Device

Procedure

Step 1 Place the mechanical lifting device in front of the chassis on the pallet (or on Line Card side) as shown.

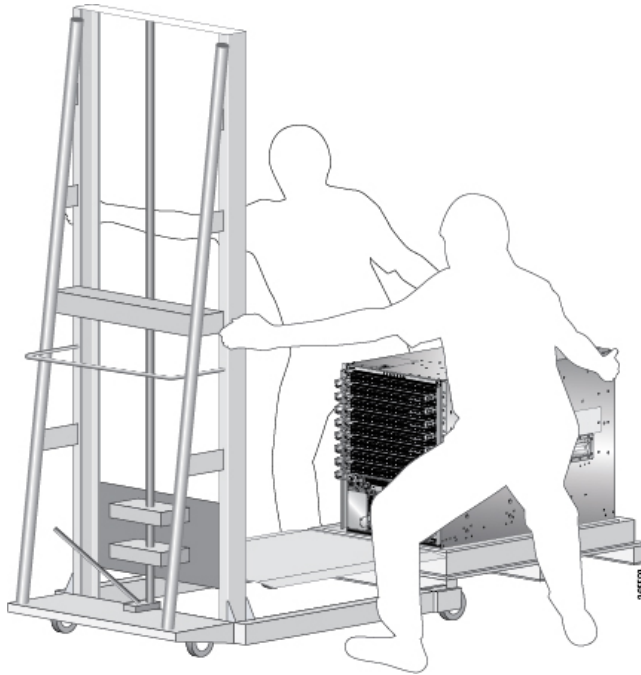
Note Illustrations are for representational purposes only.

Figure 3: *Align the Lifting Device in Front of the Chassis on the Pallet*



- Step 2** Prepare to use the mechanical lifting device by placing a piece of cardboard on the surface of the lift (to prevent scratching).
- Step 3** With at least two or three people move the chassis carefully from the pallet onto the lifting device as shown.

Figure 4: Move the Chassis on to the Lifting Device



What to do next

After moving the chassis to the room or area where you will install it, begin the procedure to mount the chassis into the rack.

Mount Chassis Into the Rack

To accommodate equipment racks with different mounting hole patterns, the chassis mounting brackets have groups of screw holes on either side. The mounting holes in the chassis mounting brackets are spaced so that one mounting hole in each hole group aligns with a corresponding hole in the equipment rack. By using the corresponding mounting hole (in the same hole group) on the opposite side of the chassis, you can level the chassis in the rack.



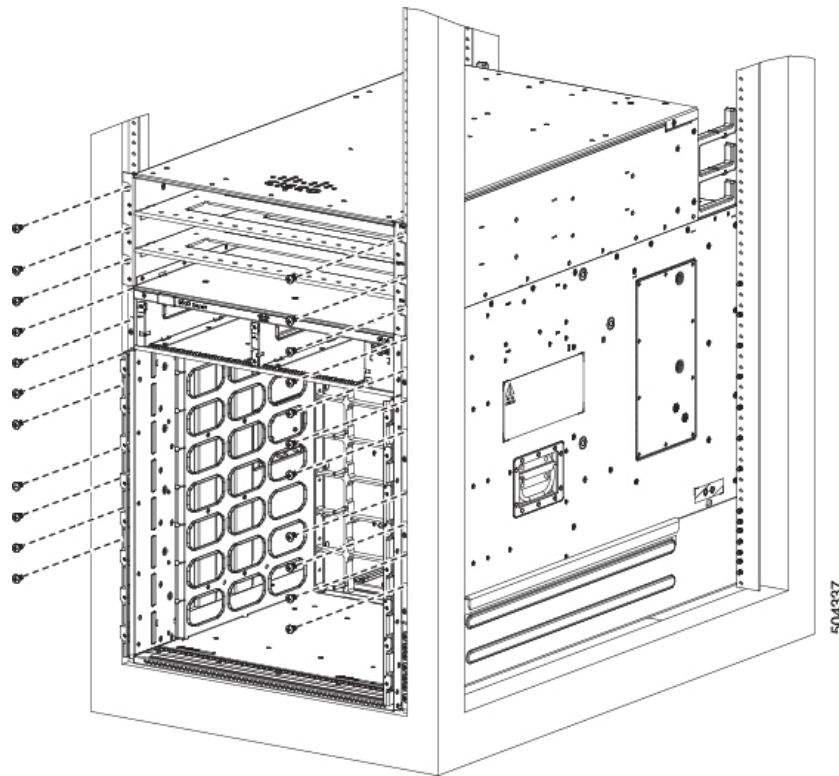
Note To lift the chassis, use a mechanical lift. Do not use the handles on the side of the chassis. Use the side handles for only repositioning the chassis after it is already on the mechanical lift or in the rack or cabinet.

Procedure

- Step 1** Using your mechanical lift, raise the chassis so that it is in level with or not more than 1/4 inch [0.635cm] above the rails.

- Step 2** Push the chassis all the way onto the rack so that the vertical mounting brackets on the front of the chassis come in contact with the vertical mounting rails on the rack.
- Step 3** Use screws provided with the rack to secure the chassis with the vertical mounting rails on the rack.

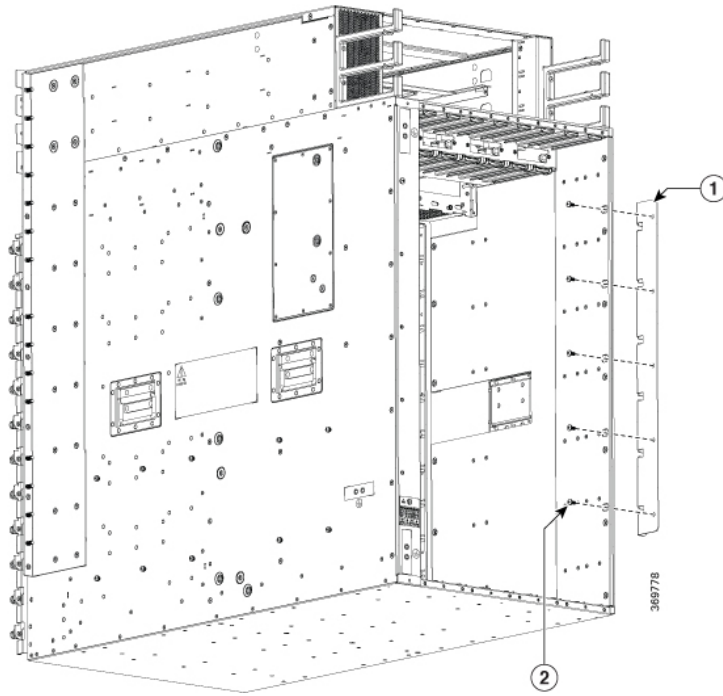
Figure 5: Attach Chassis to Rack - Front



Note You should remove the power shelf to facilitate attaching chassis to the rack.

- Step 4** Use the screws provided with the rack to attach the chassis rear rails.

Figure 6: Attach Chassis to Rack - Rear Right View



1	Rear right rack mounting bracket.	2	Install screws from inside the chassis to tighten to 26 in-lbs (2.93 N-m) of torque.
---	-----------------------------------	---	--

Figure 7: Attach Chassis to Rack - Rear Left View

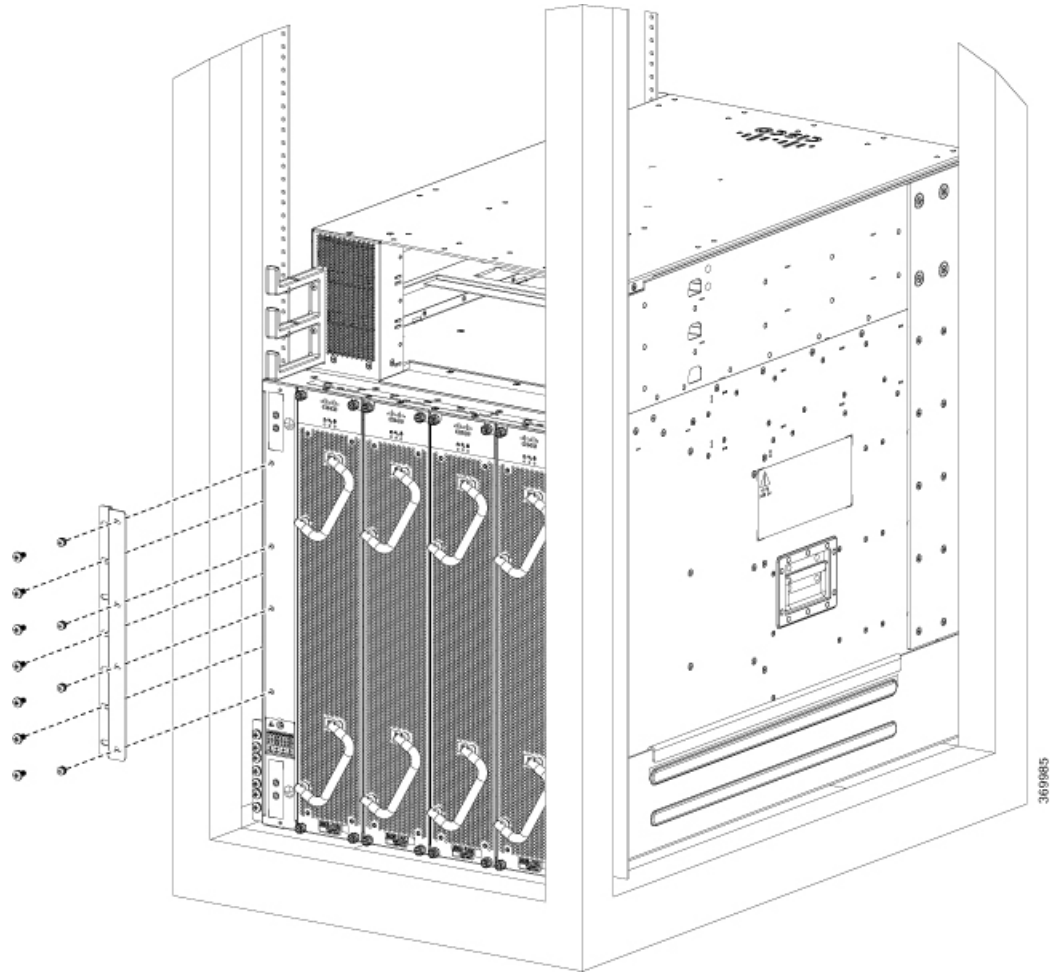
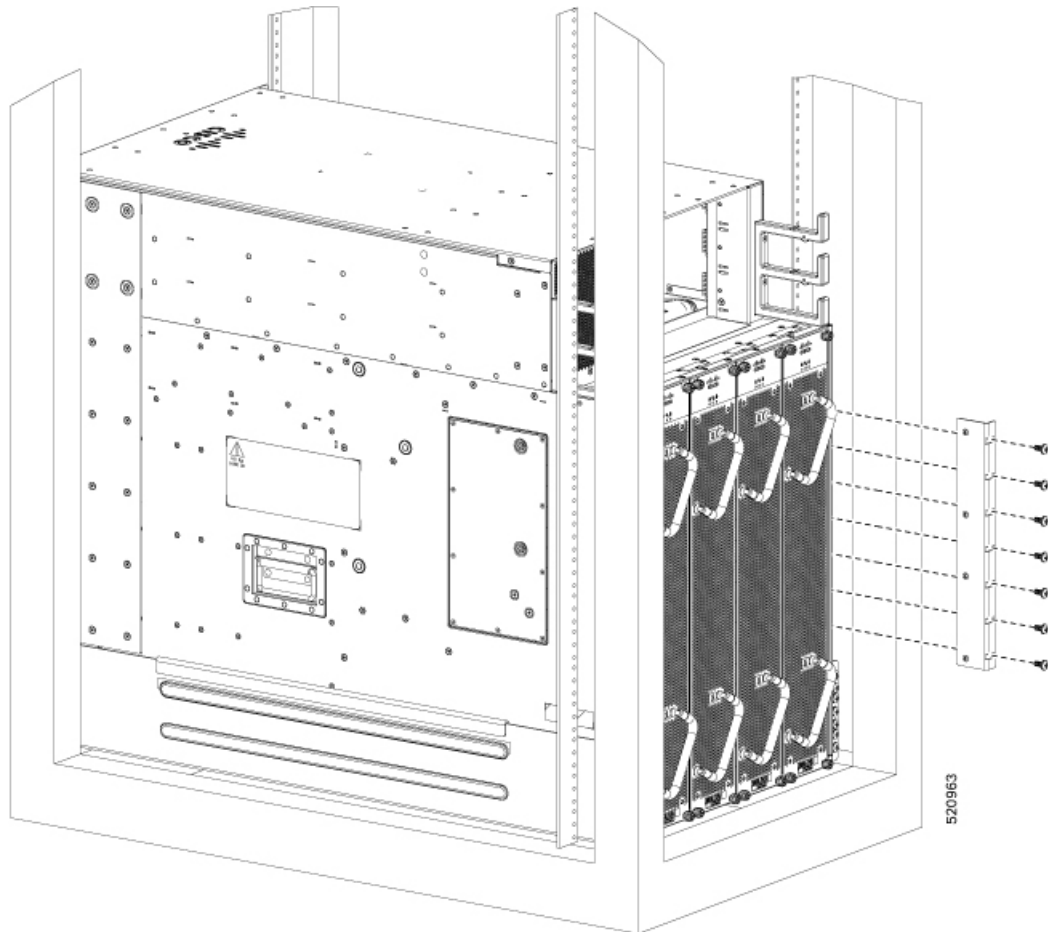


Figure 8: Attach Chassis to Rack - Rear Right View



Note We provide 10-32 screws to secure the left and right bracket. The screws to attach bracket to rack come from rack supplier.

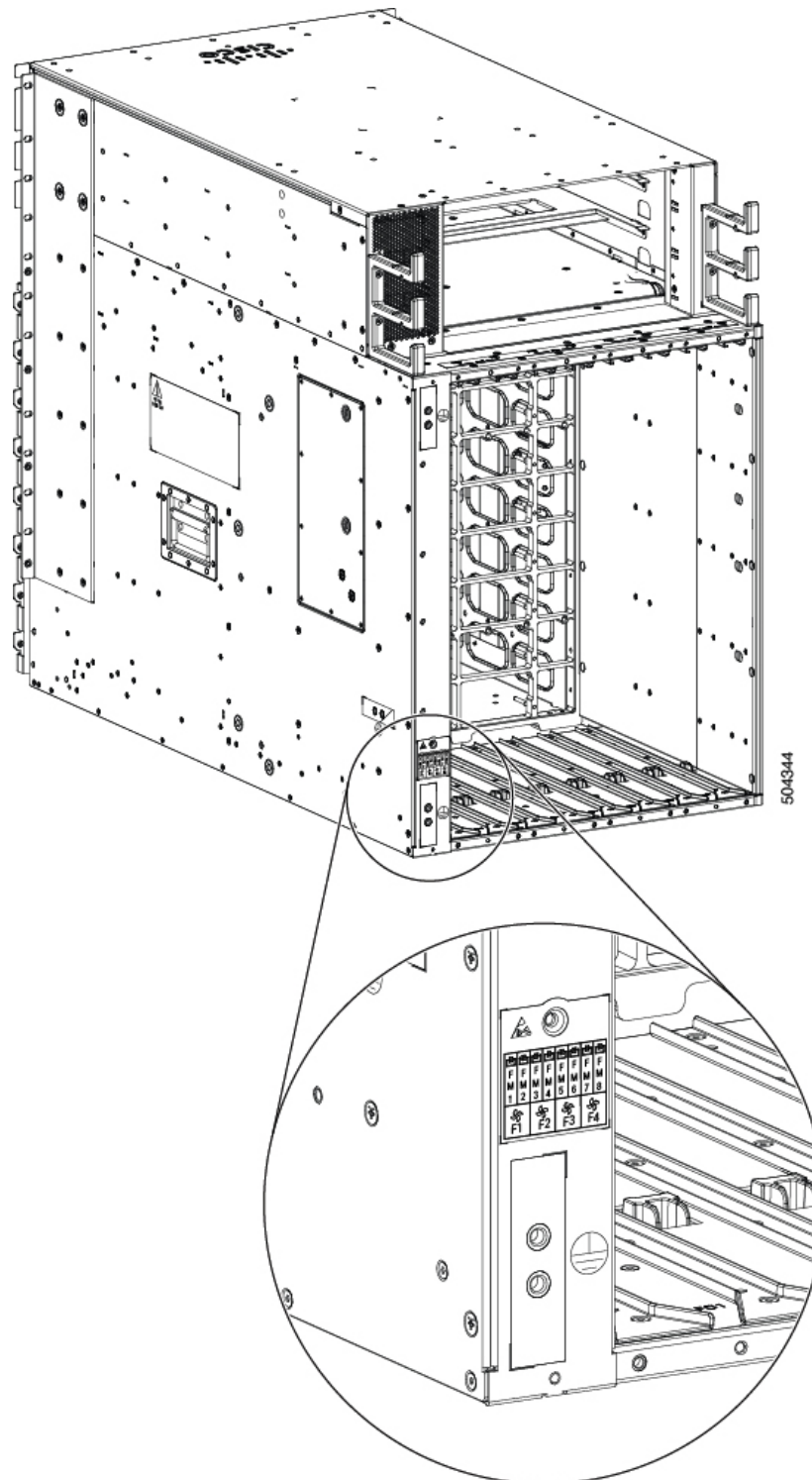
What to do next

Connect the chassis to the ground at your facility.

Ground the Chassis

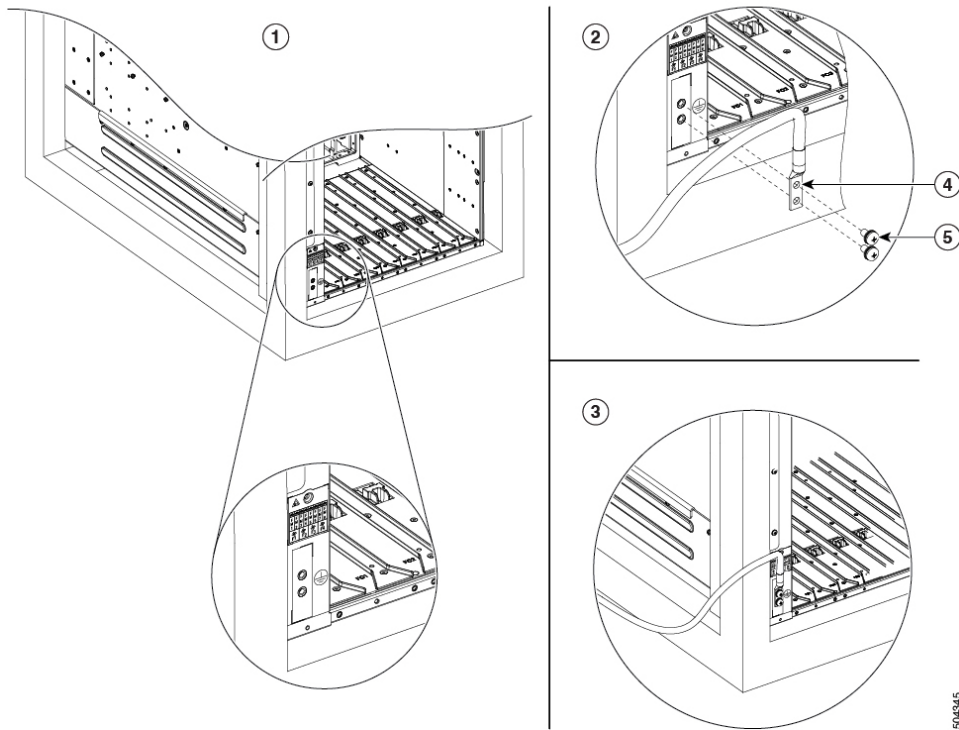
Procedure

- Step 1** Locate the chassis grounding receptacles on your chassis. You can locate them at the following position:
- At the left side panel, lower section towards the rear

Figure 9: Chassis Ground Receptacles

- Step 2** Use the wire stripper to strip one end of the 2-AWG wire approximately 0.75 inches (19.05 mm).
- Step 3** Insert the 2-AWG wire into the wire receptacle on the grounding lug.

Figure 10: Ground the Chassis



1	Locate ground	4	Align the lug holes
2	Prepare lug	5	Tighten the screws
3	Ground the chassis		

- Step 4** Use the crimping tool to carefully crimp the wire receptacle around the wire; this step is required to ensure a proper mechanical connection.
- Step 5** Insert the two screws through the holes in the grounding lug. Ensure that the grounding lug does not interfere with other hardware components.
- Step 6** Use the Phillips screwdriver to carefully tighten the screws to 60 in-lbs 6.7 (N-m) of torque until the grounding lug is held firmly to the chassis. Do not overtighten the screws.
- Step 7** Connect the opposite end of the grounding wire to the appropriate grounding point at your site to ensure an adequate chassis ground.

What to do next

Attach the chassis doors.

Install Cable Management on a Chassis

Before you begin

The chassis must be installed and secured to the rack.

Required tools and equipment:

- Phillips screwdriver with a torque capability (customer supplied)
- Cable management brackets (N9K-C9808-CM-KIT).



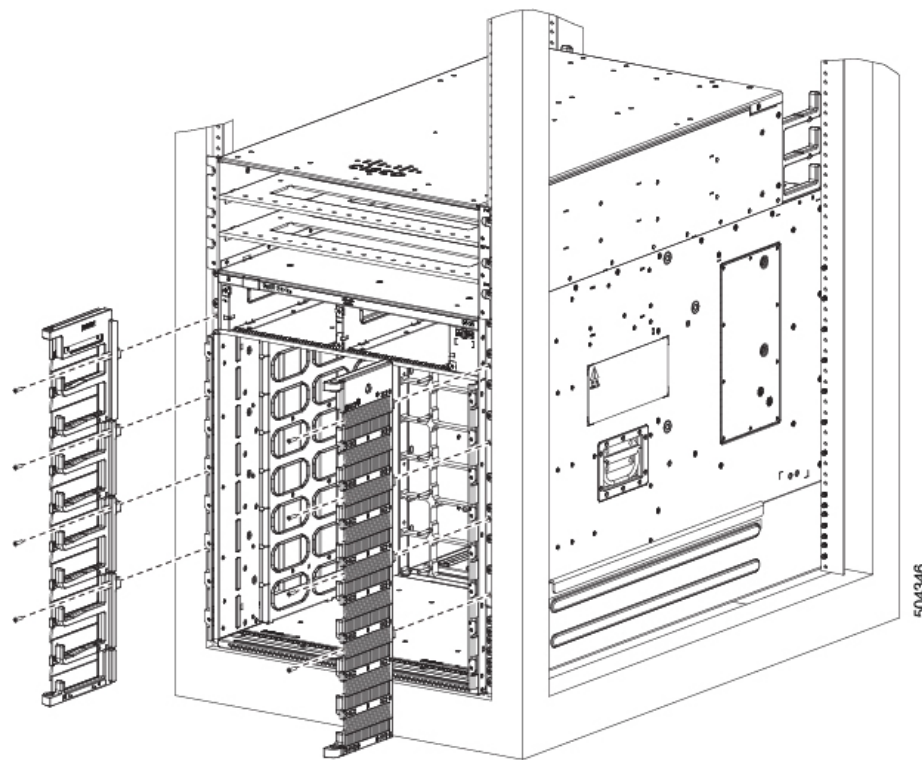
Note The cable management assembly is shipped with the chassis.

Procedure

Step 1

Position one of the cable management brackets on the vertical mounting bracket so that the screw holes are aligned.

Figure 11: Cable Management Brackets



Step 2

Secure the left and right cable management brackets to the chassis vertical mounting brackets with M4 x 18-mm screws, flat-head Phillips screws (use all screws provided in the kit). Insert one screw at the top and

one at the bottom, likewise add more screws in this sequence. The number of screws may vary based on the chassis.

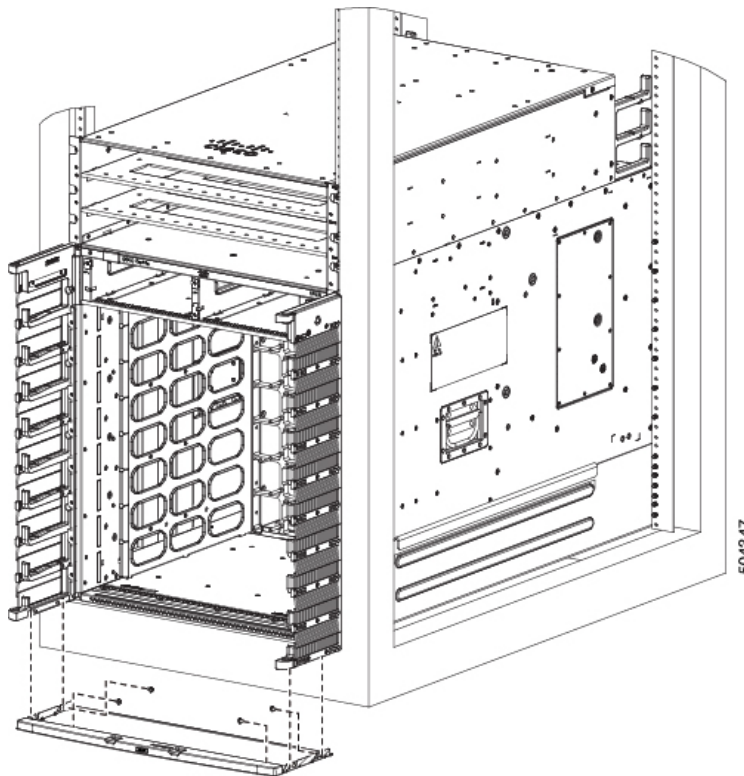
Note Do not fully tighten the screws until the cable management brackets, bottom cover, and top hood are installed.

Step 3 Repeat Steps 1 and 2 to attach the other cable management bracket to the vertical mounting bracket on the opposite side of the chassis.

Step 4 Remove the power shelf bezel from the chassis and proceed with bottom cover and top hood installation.

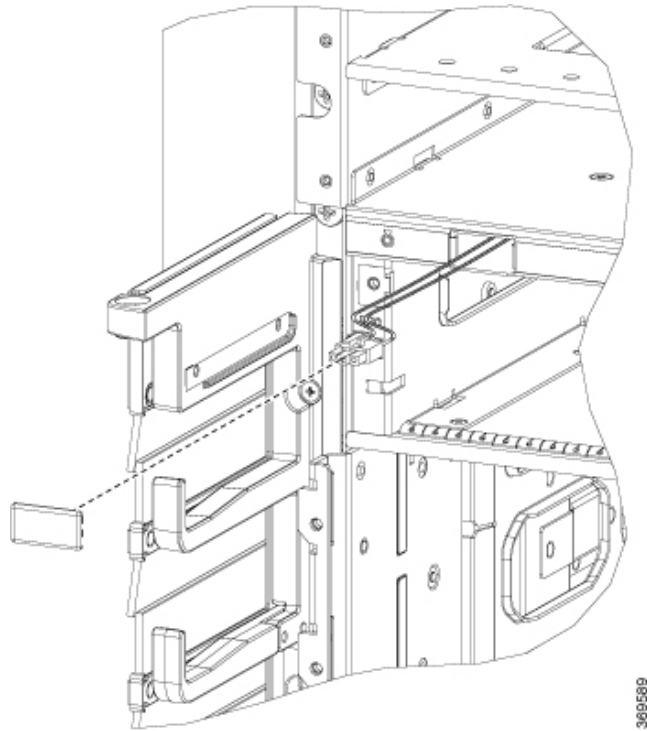
Step 5 Position the bottom cover, with its brackets pointing up, to the bottom of the two side cable management bracket screw holes.

Figure 12: Bottom Cover

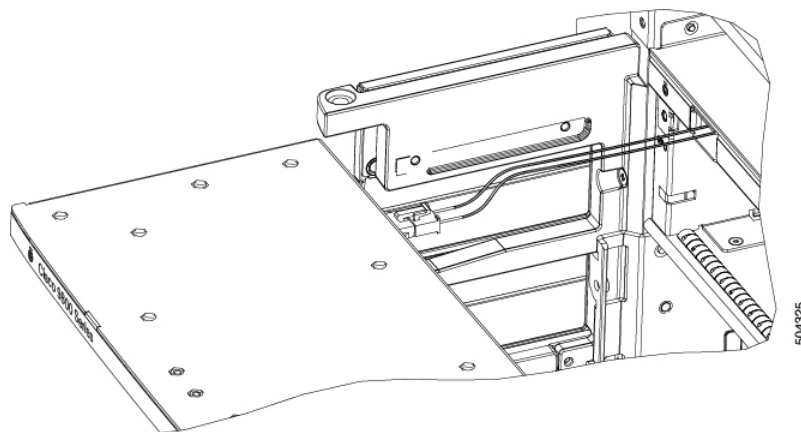


Step 6 Secure the bottom cover to the cable management brackets by using four M4 x 6 mm pan-head Phillips screws. Tighten each screw to 11.5 to 15 in-lb (1.3 to 1.7 N·m) of torque.

Step 7 Before you install the top hood, remove the connector cap from the alarm cable.

Figure 13: Remove Connector Cap

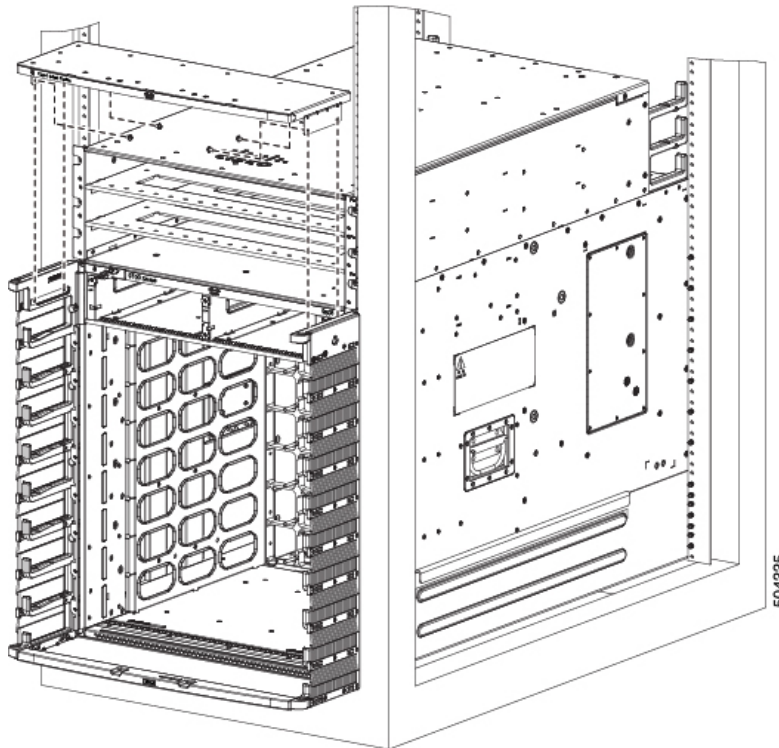
Step 8 Connect the alarm cable to the top hood.

Figure 14: Connect Alarm Cable

Note Door open alarm is supported in the chassis.

Step 9 Position the top hood, with its brackets pointing down, above the cable management bracket screw holes.

Figure 15: Top Hood



- Step 10** Secure the top hood with the cable management brackets by using four M4 x 6 mm pan-head Phillips screws. Tighten each screw to 11.5 to 15 in-lb (1.3 to 1.7 N·m) of torque.
- Step 11** Tighten the cable management brackets screws to 11.5 to 15 in-lb (1.3 to 1.7Nm) of torque after completing the bottom cover, and top hood installation.

Attach Front Door to Chassis

Before you begin

Before you can attach the front door to the chassis, you must attach the cable management brackets, bottom plate, and top hood onto the chassis.

Required tools and equipment:

- Phillips screwdriver with a torque capability (customer supplied)
- Door kit (N9K-C9808-DF-KIT)



Note The door kit is optional.

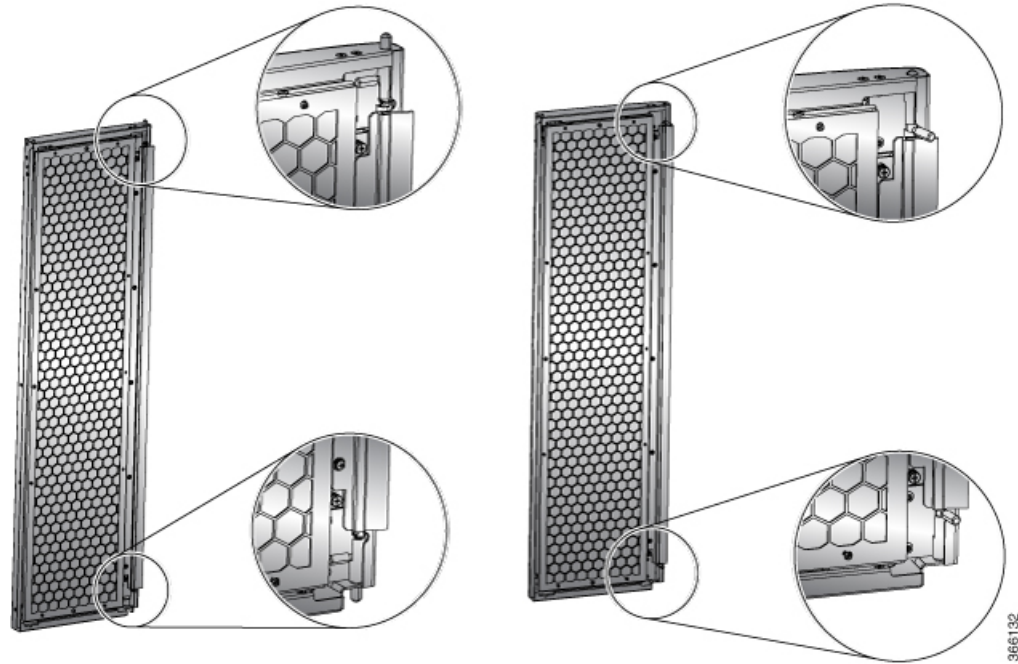
Procedure

Step 1 Remove the power shelf bezel from the chassis, if already installed.

This is to ease the installation of chassis doors.

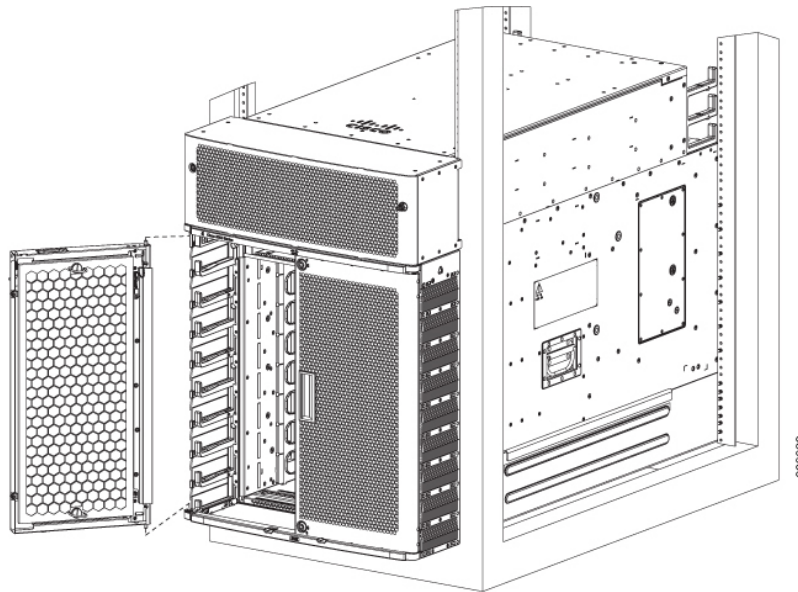
Step 2 On the back side (open side) of one door, pull in on two protruding spring pins so that the pins are held inside the door frame.

Figure 16: Front Door Pins



Step 3 Align the spring pin to hole in the bottom plate and release the spring pin, so that they insert into the bottom hole.

Figure 17: Attach Front Door



- Step 4** Now align the spring pin to hole in the top hood and release the spring pin.
- Step 5** Ensure the pins are properly inserted into the holes so that the door can freely swing on the spring pins.
- Step 6** Repeat Steps 2–5 to install the other front door.
- Step 7** Ground the front door.
- For information on grounding the front door, see [Ground the Front Door, on page 18](#).

- Step 8** Replace the power supply bezel and secure it with the provided jackscrews.
- For information on replacing the power supply bezel, see [Install Power Shelf Bezel](#).

Note Install the following modules, if you had them removed from the chassis while mounting into the rack.

- Fan trays

For more information on replacing components, see [Replace Chassis Components](#).

Ground the Front Door

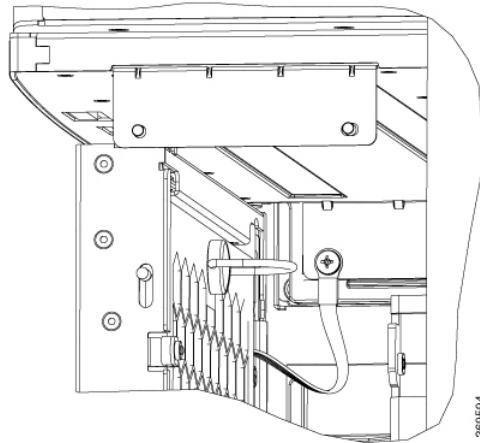


Note To comply with GR-1089, you have to bond the front doors to the ground port on the chassis using the ground braid.

Procedure

- Step 1** Install the grounding cable towards the side of the front door.
- Step 2** Apply the star ring terminal end of the grounding cable to the front door. Tighten the screw to 11.5 to 15 in-lb (1.3 to 1.7 N-m) of torque to provide proper bonding.

Figure 18: Ground Cable to Chassis



Note Fasten the ground straps on both the doors to the chassis.

- Step 3** Connect the other round terminal of the grounding cable to the ground port on the cable management bracket on either left or right side of the chassis. Use the front hole of the bracket that connects the top cover to the cable management bracket. Tighten the M4 screw to 11.5 to 15 in-lb (1.3 to 1.7 N-m) of torque.
- Step 4** Repeat Steps 1–3 to install the grounding cable to the other front door.
- Step 5** Close and lock the front door.
-

What to do next

Continue to power on the switch.

