



Configuring FCoE

This chapter contains the following sections:

- [Licensing Requirements for FCoE, on page 1](#)
- [FCoE Topologies, on page 1](#)
- [FCoE Best Practices, on page 3](#)
- [Guidelines and Limitations, on page 6](#)
- [Configuring FCoE, on page 7](#)
- [Verifying the FCoE Configuration, on page 11](#)

Licensing Requirements for FCoE

On Cisco Nexus devices, FCoE capability is included in the Storage Protocol Services License.

Before using FCoE capabilities, you must ensure the following:

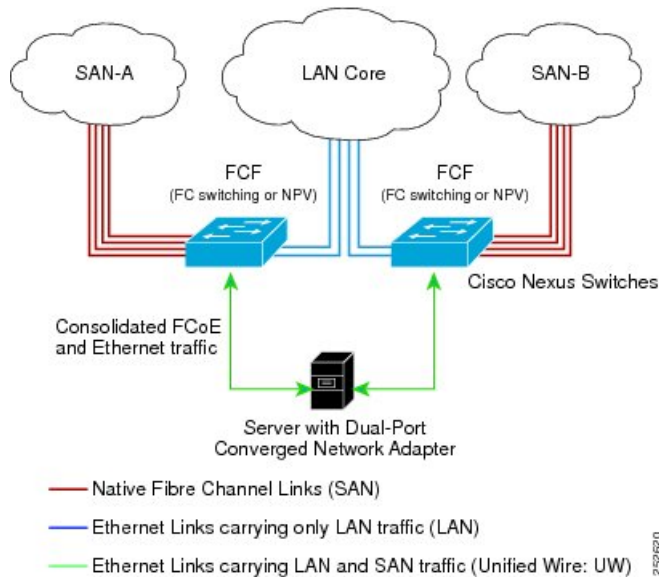
- The correct license is installed.
- FCoE has been activated on the switch by entering the **feature fcoe** command in configuration mode.

FCoE Topologies

Directly Connected CNA Topology

The Cisco Nexus device can be deployed as a Fibre Channel Forwarder (FCF) as shown in the following figure.

Figure 1: Directly Connected Fibre Channel Forwarder



The following rules are used to process FIP frames to avoid the FCF being used as a transit between an FCoE node (ENode) and another FCF. These rules also prevent login sessions between ENodes and FCFs in different fabrics.

- FIP solicitation and login frames received from the CNAs are processed by the FCF and are not forwarded.
- If an FCF receives solicitations and advertisements from other FCFs over an interface, the following occurs:
 - The frames are ignored and discarded if the FC-MAP value in the frame matches the value of the FCF (the FCF is in the same fabric).
 - The interface is placed in the "FCoE Isolated" state if the FC-MAP value in the FIP frame does not match that of the FCF (the FCF is in a different fabric).

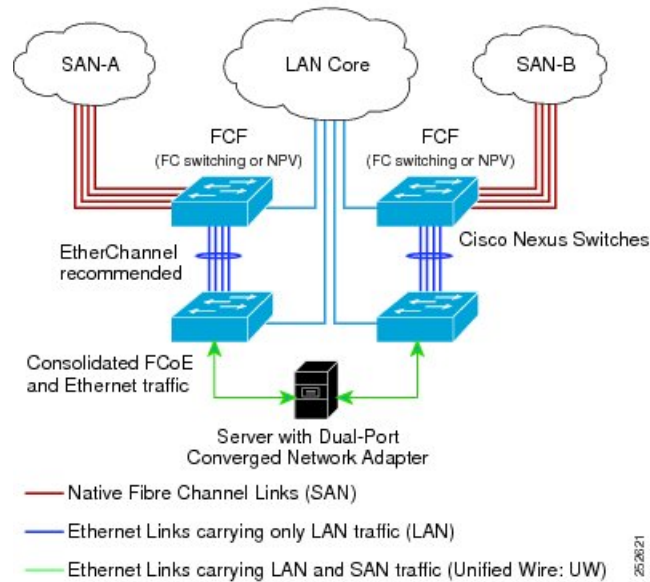
CNAs cannot discover or log in to FCFs that are reachable only through a transit Cisco Nexus FCF. The Cisco Nexus device cannot perform the FCoE transit function between a CNA and another FCF due to hardware limitations.

Because the Cisco Nexus FCF cannot perform the transit FCoE function, you must design your network topology so that the active Spanning Tree Protocol (STP) path of FCoE VLANs is always over the directly connected links between the CNA and the FCF. Make sure that you configure the FCoE VLAN on the directly connected links only.

Remotely Connected CNA Topology

The Cisco Nexus device can be deployed as a Fibre Channel Forwarder (FCF) for remotely connected CNAs, but not as a FIP snooping bridge, as shown in the following figure.

Figure 2: Remotely Connected Fibre Channel Forwarder



The following rules are used to process FIP frames to avoid the FCF being used as a transit between an ENode and another FCF. These rules also prevent login sessions between ENodes and FCFs in different fabrics.

- FIP solicitation and login frames received from the CNAs are processed by the FCF and are not forwarded.
- If an FCF receives solicitations and advertisements from other FCFs over an interface, the following occurs:
 - The frames are ignored and discarded if the FC-MAP value in the frame matches the value of the FCF (the FCF is in the same fabric).
 - The interface is placed in the "FCoE Isolated" state if the FC-MAP value in the FIP frame does not match that of the FCF (the FCF is in a different fabric).

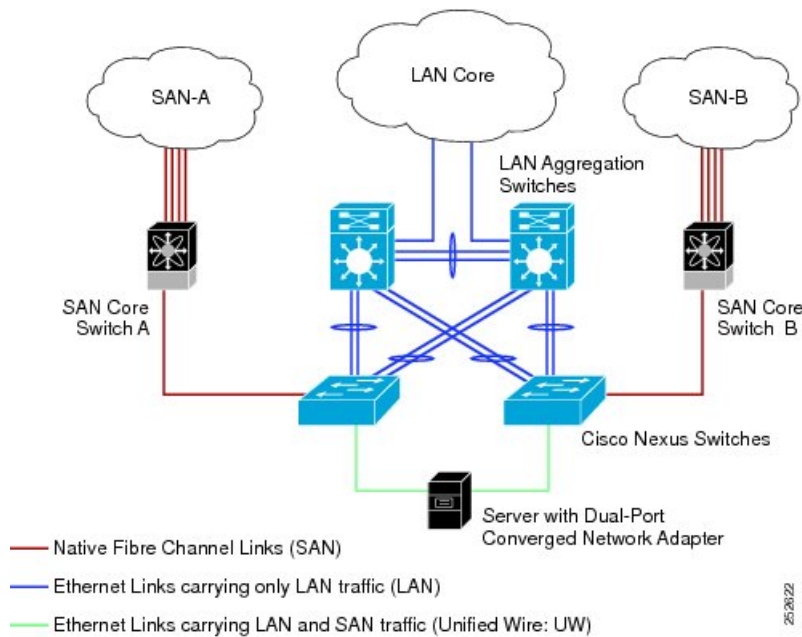
Because the Cisco Nexus FCF cannot perform the transit FCoE function, you must design your network topology so that the active STP path of FCoE VLANs is always over the directly connected links between the CNA and the FCF. Make sure that you configure the FCoE VLAN on the directly connected links only.

FCoE Best Practices

Directly Connected CNA Best Practice

The following figure shows a best practices topology for an access network that is using directly connected CNAs with Cisco Nexus devices.

Figure 3: Directly Connected CNA



Follow these configuration best practices for the deployment topology in the preceding figure:

1. You must configure a unique dedicated VLAN at every converged access switch to carry traffic for each Virtual Fabric (VSAN) in the SAN (for example, VLAN 1002 for VSAN 1, VLAN 1003 for VSAN 2, and so on). If you enable Multiple Spanning Tree (MST), you must use a separate MST instance for FCoE VLANs.
2. You must configure the unified fabric (UF) links as trunk ports. Do not configure the FCoE VLAN as a native VLAN. You must configure all FCoE VLANs as members of the UF links to allow extensions for VF_Port trunking and VSAN management for the virtual Fibre Channel interfaces.



Note A unified wire carries both Ethernet and FCoE traffic.

3. You must configure the UF links as spanning-tree edge ports.
4. You must not configure the FCoE VLANs as members of Ethernet links that are not designated to carry FCoE traffic because you want to ensure that the scope of the STP for the FCoE VLANs is limited to UF links only.
5. If the converged access switches (in the same SAN fabric or in another) need to be connected to each other over Ethernet links for a LAN alternate path, you must explicitly configure such links to exclude all FCoE VLANs from membership. This action ensures that the scope of the STP for the FCoE VLANs is limited to UF links only.
6. You must use separate FCoE VLANs for FCoE in SAN-A and SAN-B.

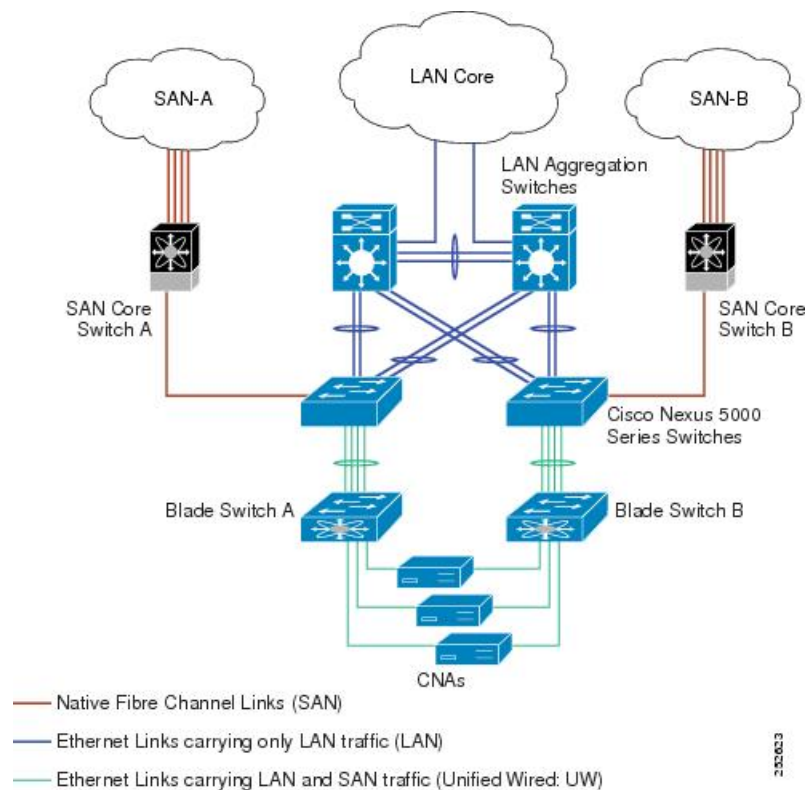


Note All Gen-1 (pre-FIP) and Gen-2, Gen-3, and Gen-4 (FIP) CNAs are supported in a directly connected topology.

Remotely Connected CNA Best Practice

The following figure shows a best practices topology for an access network using remotely connected CNAs with Cisco Nexus devices.

Figure 4: Remotely Connected CNAs



Follow these configuration best practices for the deployment topology in the preceding figure:

1. You must configure a unique dedicated VLAN at every converged access switch to carry traffic for each Virtual Fabric (VSAN) in the SAN (for example, VLAN 1002 for VSAN 1, VLAN 1003 for VSAN 2, and so on). If you enable MST, you must use a separate MST instance for FCoE VLANs.
2. You must configure the unified fabric (UF) links as trunk ports. Do not configure the FCoE VLAN as a native VLAN. You must configure all FCoE VLANs as members of the UF links to allow extensions for VF_Port trunking and VSAN management for the virtual Fibre Channel interfaces.



Note A unified fabric link carries both Ethernet and FCoE traffic.

3. You must configure the CNAs and the blade switches as spanning-tree edge ports.

4. A blade switch must connect to exactly one Cisco Nexus device converged access switch, preferably over an EtherChannel, to avoid disruption due to STP reconvergence on events such as provisioning new links or blade switches.
5. You must configure the Cisco Nexus device converged access switch with a better STP priority than the blade switches that are connected to it. This requirement allows you to create an island of FCoE VLANs where the converged access switch is the spanning-tree root and all the blade switches connected to it become downstream nodes.
6. Do not configure the FCoE VLANs as members of Ethernet links that are not designated to carry FCoE traffic because you want to ensure that the scope of the STP for the FCoE VLANs is limited to UF links only.
7. If the converged access switches and/or the blade switches need to be connected to each over Ethernet links for the purposes of LAN alternate pathing, you must explicitly configure such links to exclude all FCoE VLANs from membership. This action ensures the scope of the STP for FCoE VLANs is limited to UF links only.
8. You must use separate FCoE VLANs for FCoE in SAN-A and SAN-B.



Note A remotely connected topology is supported only with Gen-2, Gen-3, and Gen-4 (FIP) CNAs.

Guidelines and Limitations

FCoE has the following guidelines and limitations:

- FCoE on Cisco Nexus devices support the Gen-1 (pre-FIP) and Gen-2, Gen-3, and Gen-4 (FIP) CNAs. FCoE on the Cisco Nexus 2232PP fabric extender (FEX) supports Gen-2 CNAs only.
- Enabling FCoE on VLAN 1 is not supported.
- A combination of straight-through and active-active topologies is not supported on the same FEX.
- Direct connect FCoE (that is, a direct connect to CNAs through a bind interface) is not supported on a port channel of a Cisco Nexus device or FEX interface if it is configured to have more than one interface. Direct connect FCoE is supported on port channels with a single link to allow for FCoE from a CNA connected through a vPC with one 10 GB link to each upstream switch/FEX.



Note For a description of the default quality of service (QoS) policies for FCoE, see the Quality of Service guide for your device. for the Nexus software release that you are using. The available versions of this document can be found at the following URL:
http://www.cisco.com/en/US/products/ps9670/products_installation_and_configuration_guides_list.html.

Configuring FCoE

Configuring QoS

You need to attach the system service policy to configure QoS. The **service-policy** command specifies the system class policy map as the service policy for the system.

Procedure

	Command or Action	Purpose
Step 1	switch# configure terminal	Enters global configuration mode.
Step 2	switch(config)# system qos	Enters system qos configuration mode.
Step 3	switch(config-sys-qos)# service-policy type { network-qos qos queuing } [input output] <i>fcoe default policy-name</i>	<p>Specifies the default FCoE policy map to use as the service policy for the system. There are four pre-defined policy-maps for FCoE:</p> <ul style="list-style-type: none"> • service-policy type queuing input fcoe-default-in-policy • service-policy type queuing output fcoe-default-out-policy • service-policy type qos input fcoe-default-in-policy • service-policy type network-qos fcoe-default-nq-policy <p>Note Before enabling FCoE on a Cisco Nexus device, you must attach the pre-defined FCoE policy maps to the type qos, type network-qos, and type queuing policy maps.</p>

Enabling FCoE

You can enable FCoE on the switch; however, enabling FCoE on VLAN 1 is not supported.



Note All the Fibre Channel features of the Cisco Nexus device are packaged in the FC Plugin. When you enable FCoE, the switch software checks for the FC_FEATURES_PKG license. If it finds the license, the software loads the plugin. If the license is not found, the software loads the plugin with a grace period of 180 days.

After the FC Plugin is loaded, the following occurs:

- All Fibre Channel and FCoE-related CLI are available
- The Fibre Channel interfaces of any installed expansion modules are available

If after 180 days, a valid license is not found, the FC Plugin is disabled. At the next switch reboot, all FCoE commands are removed from the CLI and the FCoE configuration is deleted.

Before you begin

You must have the FC_FEATURES_PKG (N5010SS or N5020SS) license installed.

Procedure

	Command or Action	Purpose
Step 1	switch# configure terminal	Enters global configuration mode.
Step 2	switch(config)# feature fcoe	Enables the FCoE capability.

Example

This example shows how to enable FCoE on the switch:

```
switch# configure terminal
switch(config)# feature fcoe
```

Disabling FCoE

After you disable FCoE, all FCoE commands are removed from the CLI and the FCoE configuration is deleted.

Procedure

	Command or Action	Purpose
Step 1	switch# configure terminal	Enters global configuration mode.
Step 2	switch(config)# no feature fcoe	Disables the FCoE capability.

Example

This example shows how to disable FCoE on the switch:

```
switch# configure terminal
```



```
switch(config)# no feature fcoe
```

Disabling LAN Traffic on an FCoE Link

You can disable LAN traffic on an FCoE link.

DCBX allows the switch to send a LAN Logical Link Status (LLS) message to a directly connected CNA. Enter the **shutdown lan** command to send an LLS-Down message to the CNA. This command causes all VLANs on the interface that are not enabled for FCoE to be brought down. If a VLAN on the interface is enabled for FCoE, it continues to carry SAN traffic without any interruption.

Procedure

	Command or Action	Purpose
Step 1	switch# configure terminal	Enters global configuration mode.
Step 2	switch(config)# interface ethernet slot/port	Specifies an interface to configure, and enters interface configuration mode.
Step 3	switch(config-if)# shutdown lan	Shuts down Ethernet traffic on the interface. If the interface is part of an FCoE VLAN, the shutdown has no impact on the FCoE traffic.
Step 4	(Optional) switch(config-if)# no shutdown lan	Reenables Ethernet traffic on the interface.

Configuring the FC-Map



Note We recommend using the "[Mapping a VSAN to a VLAN](#)" method for preserving fabric isolation and leaving the FC-MAP default.

You can prevent data corruption due to cross-fabric talk by configuring an FC-Map that identifies the Fibre Channel fabric for this Cisco Nexus device. When the FC-Map is configured, the switch discards the MAC addresses that are not part of the current fabric.

Procedure

	Command or Action	Purpose
Step 1	switch# configure terminal	Enters global configuration mode.
Step 2	switch(config)# fcoe fcmmap fabric-map	Configures the global FC-Map. The default value is 0E.FC.00. The range is from 0E.FC.00 to 0E.FC.FF.
Step 3	(Optional) switch(config)# no fcoe fcmmap fabric-map	Resets the global FC-Map to the default value of 0E.FC.00.

Example

This example shows how to configure the global FC-Map:

```
switch# configure terminal
switch(config)# fcoe fcmmap 0x0efc2a
```

Configuring the Fabric Priority

The Cisco Nexus device advertises its priority. The priority is used by the CNAs in the fabric to determine the best switch to connect to.

Procedure

	Command or Action	Purpose
Step 1	switch# configure terminal	Enters global configuration mode.
Step 2	switch(config)# fcoe fcf-priority fabric-priority	Configures the global fabric priority. The default value is 128. The range is from 0 (higher) to 255 (lower).
Step 3	(Optional) switch(config)# no fcoe fcf-priority fabric-priority	Resets the global fabric priority to the default value of 128.

Example

This example shows how to configure the global fabric priority:

```
switch# configure terminal
switch(config)# fcoe fcf-priority 42
```

Configuring Jumbo MTU

This example shows how to configure the default Ethernet system class to support the jumbo MTU:

```
switch(config)# policy-map type network-qos jumbo
switch(config-pmap-nq)# class type network-qos class-fcoe
switch(config-pmap-c-nq)# pause no-drop
switch(config-pmap-c-nq)# mtu 2158
switch(config-pmap-nq)# class type network-qos class-default
switch(config-pmap-c-nq)# mtu 9216
switch(config-pmap-c-nq)# exit
switch(config-pmap-nq)# exit
switch(config)# system qos
switch(config-sys-qos)# service-policy type qos input fcoe-default-in-policy
switch(config-sys-qos)# service-policy type queuing input fcoe-default-in-policy
switch(config-sys-qos)# service-policy type queuing output fcoe-default-out-policy
switch(config-sys-qos)# service-policy type network-qos jumbo
```

Setting the Advertisement Interval

You can configure the interval for Fibre Channel fabric advertisement on the switch.

Procedure

	Command or Action	Purpose
Step 1	switch# configure terminal	Enters global configuration mode.
Step 2	switch(config)# fcoe fka-adv-period <i>interval</i>	Configures the advertisement interval for the fabric. The default value is 8 seconds. The range is from 4 to 60 seconds.
Step 3	(Optional) switch(config)# no fcoe fka-adv-period <i>interval</i>	Resets the advertisement interval for the fabric to its default value of 8 seconds.

Example

This example shows how to configure the advertisement interval for the fabric:

```
switch# configure terminal
switch(config)# fcoe fka-adv-period 42
```

Verifying the FCoE Configuration

To verify FCoE configuration information, perform one of these tasks:

Command	Purpose
switch# show fcoe	Displays whether FCoE is enabled on the switch.
switch# show fcoe database	Displays the contents of the FCoE database.
switch# show interface [<i>interface number</i>] fcoe	Displays the FCoE settings for an interface or all interfaces.
switch# show queuing interface [<i>interface slot/port</i>]	Displays the queue configuration and statistics.
switch# show policy-map interface [<i>interface number</i>]	Displays the policy map settings for an interface or all interfaces.

This example shows how to verify that the FCoE capability is enabled:

```
switch# show fcoe
Global FCF details
    FCF-MAC is 00:0d:ec:6d:95:00
    FC-MAP is 0e:fc:00
    FCF Priority is 128
```

FKA Advertisement period for FCF is 8 seconds

This example shows how to display the FCoE database:

```
switch# show fcoe database
```

```
-----  
INTERFACE          FCID          PORT NAME          MAC ADDRESS  
-----  
vfc3                0x490100      21:00:00:1b:32:0a:e7:b8 00:c0:dd:0e:5f:76
```

This example shows how to display the FCoE settings for an interface.

```
switch# show interface ethernet 1/37 fcoe
```

```
Ethernet1/37 is FCoE UP
```

```
  vfc3 is Up
```

```
    FCID is 0x490100
```

```
    PWWN is 21:00:00:1b:32:0a:e7:b8
```

```
    MAC addr is 00:c0:dd:0e:5f:76
```