



Overview

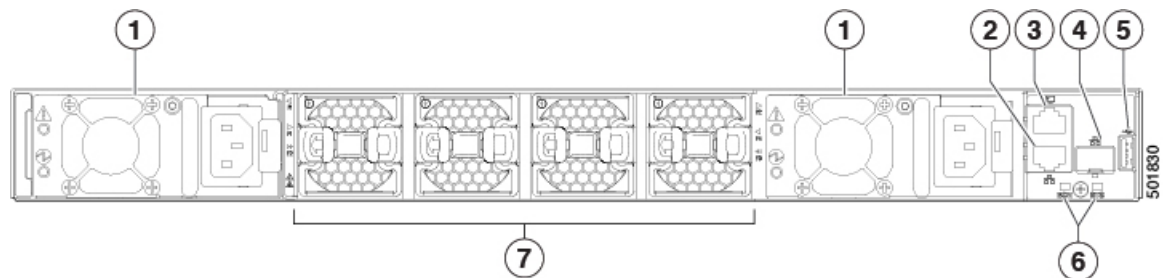
- [Overview of the Cisco Nexus 34180YC Switch, on page 1](#)
- [Overview of the Cisco Nexus 3464C Switch, on page 3](#)

Overview of the Cisco Nexus 34180YC Switch

The Cisco Nexus 34180YC (N3K-C34180YC) is a 1 rack unit (RU) switch with 48 10- or 25-Gigabit SFP28 ports, 6 40- or 100-Gigabit QSFP28 ports, 2 management ports, 1 console port, and 1 USB port. This switch supports both port-side exhaust and port-side intake airflow schemes. The switch requires one AC, DC, or HVAC/HVDC power supply for operations, but it can have a second power supply for redundancy.

The following figure shows the fan-side chassis features that you use when installing the chassis or replacing its modules.

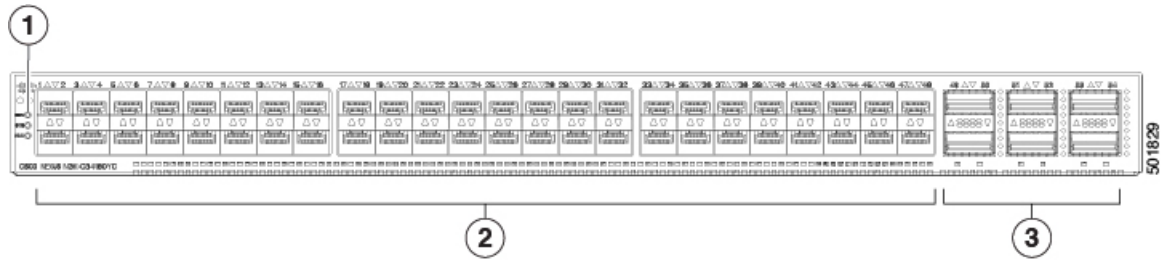
Figure 1: Fan-Side View of the Cisco Nexus 34180YC Chassis



1	AC or DC power supply (1 or 2)	5	USB port (1)
2	Management port (RJ-45)	6	Beacon (BCN) and Status (STS) LEDs
3	Console port (RS-232)	7	Fan modules (4)
4	Management port (SFP)		

The following figure shows the port-side chassis features that you use when installing the chassis or replacing its modules.

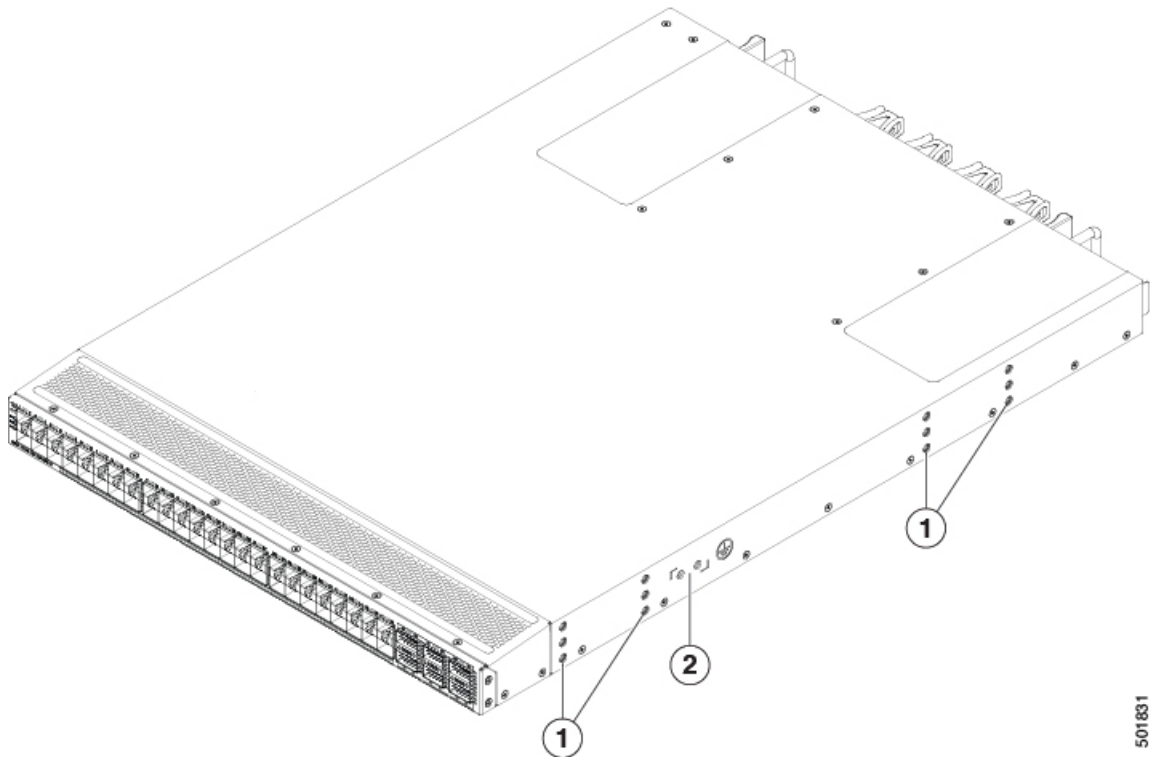
Figure 2: Port-Side View of the Cisco Nexus 34180YC Chassis



1	Beacon (BCN), Status (STS), and Environment (ENV) LEDs	3	40/100-Gigabit QSFP28 ports (6)
2	10/25-Gigabit SFP28 ports (48)		

The following figure shows the port-side chassis features that you use when installing the chassis or replacing its modules.

Figure 3: Side View of the Cisco Nexus 34180YC Chassis



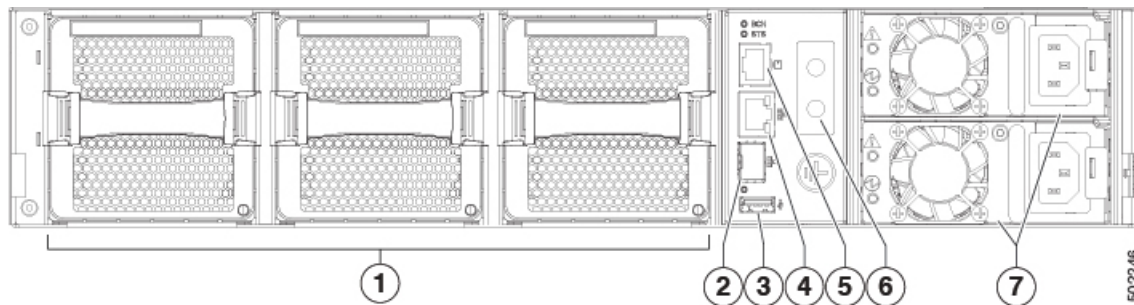
1	Screw holes for mounting brackets	2	Grounding pad
---	-----------------------------------	---	---------------

Overview of the Cisco Nexus 3464C Switch

The Cisco Nexus 3464C (N3K-C3464C) is a 2 rack unit (RU) switch with 64 100-Gigabit SFP28 ports, 2 10-Gigabit QSFP28 ports, 2 management ports, 1 console port, and 1 USB port. This switch supports both port-side exhaust and port-side intake airflow schemes. The switch requires one AC or HVAC/HVDC power supply for operation, but it can have a second power supply for redundancy.

The following figure shows the fan-side chassis features that you use when installing the chassis or replacing its modules.

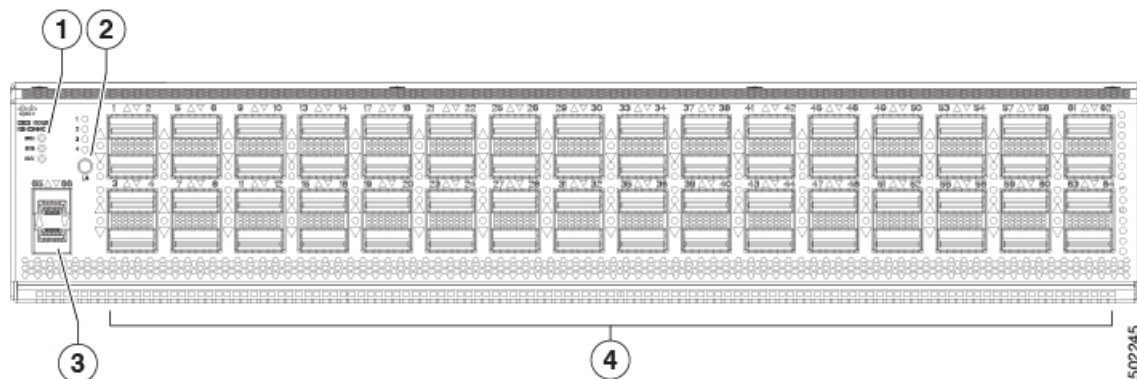
Figure 4: Fan-Side View of the Cisco Nexus 3464C Chassis



1	Fan modules (3)	2	Management port (SFP)
3	USB port (1)	4	Management port (RJ-45)
5	Console port (RS-232)	6	Grounding pad
7	Power supply (1 or 2)		

The following figure shows the port-side chassis features that you use when installing the chassis or replacing its modules.

Figure 5: Port-Side View of the Cisco Nexus 3464C Chassis

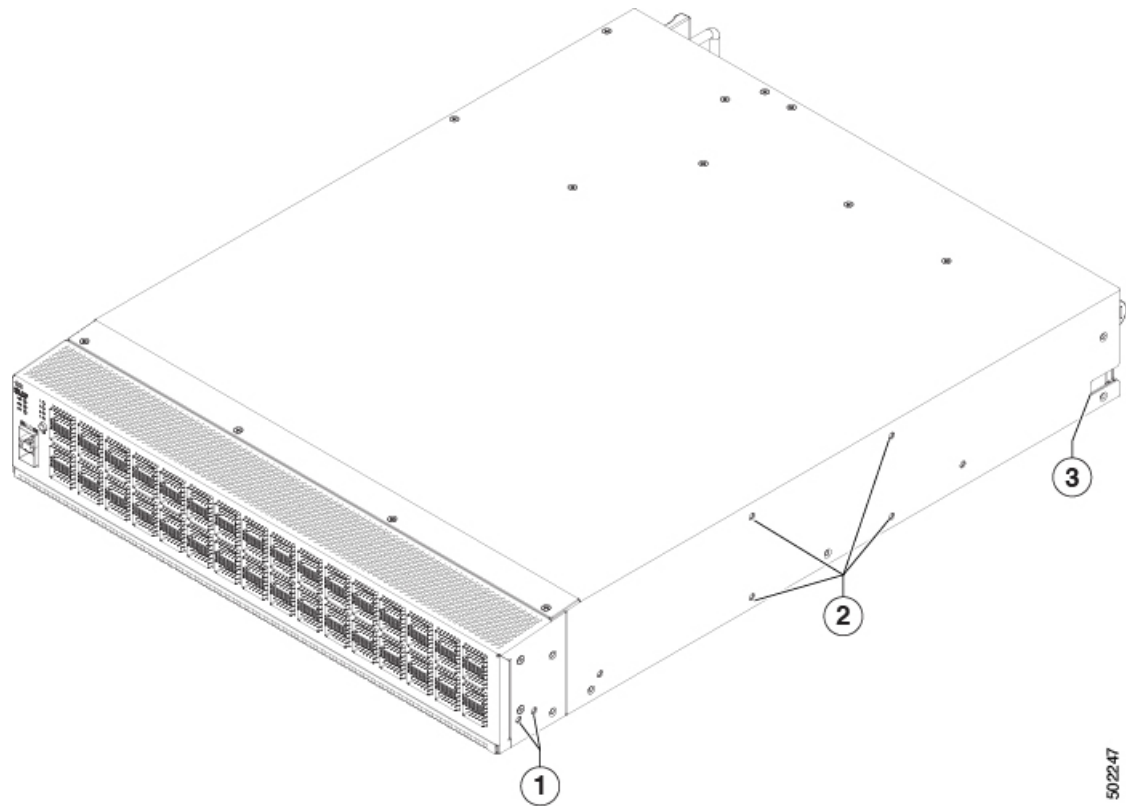


1	Beacon (BCN), Status (STS), and Environment (ENV) LEDs	2	Lane select button
---	--	---	--------------------

3	10-Gigabit QSFP28 ports (2)	4	100-Gigabit SFP28 ports (64)
---	--------------------------------	---	---------------------------------

The following figure shows the side chassis features that you use when installing the chassis.

Figure 6: Side View of the Cisco Nexus 3464C Chassis



1	Screw holes for front mounting brackets (four-post rack installations)	2	Screw holes for center-mount bracket (two-post rack installations)
3	Notch on both sides of the chassis for locking the power supply end of the chassis to the bottom support rails (four-post rack installations).		