



## CHAPTER 4

# Configuring and Managing VSANs

---

You can achieve higher security and greater stability in Fibre Channel fabrics by using virtual SANs (VSANs) on Cisco MDS 9000 Family switches and Cisco Nexus 5000 Series switches. VSANs provide isolation among devices that are physically connected to the same fabric. With VSANs you can create multiple logical SANs over a common physical infrastructure. Each VSAN can contain up to 239 switches and has an independent address space that allows identical Fibre Channel IDs (FC IDs) to be used simultaneously in different VSANs. This chapter includes the following sections:

- [Information About VSANs, page 4-1](#)
- [Licensing Requirements for VSAN, page 4-9](#)
- [Default Settings, page 4-9](#)
- [Configuring VSANs, page 4-10](#)
- [Configuring Load Balancing, page 4-13](#)
- [Verifying VSAN Configuration, page 4-15](#)
- [Field Descriptions for VSAN, page 4-17](#)
- [Additional References, page 4-19](#)

## Information About VSANs

A VSAN is a virtual storage area network (SAN). A SAN is a dedicated network that interconnects hosts and storage devices primarily to exchange SCSI traffic. In SANs, you use the physical links to make these interconnections. A set of protocols run over the SAN to handle routing, naming, and zoning. You can design multiple SANs with different topologies.

With the introduction of VSANs, the network administrator can build a single topology containing switches, links, and one or more VSANs. Each VSAN in this topology has the same behavior and property of a SAN. A VSAN has the following additional features:

- Multiple VSANs can share the same physical topology.
- The same Fibre Channel IDs (FC IDs) can be assigned to a host in another VSAN, thus increasing VSAN scalability.
- Every instance of a VSAN runs all required protocols such as FSPF, domain manager, and zoning.
- Fabric-related configurations in one VSAN do not affect the associated traffic in another VSAN.
- Events causing traffic disruptions in one VSAN are contained within that VSAN and are not propagated to other VSANs.

***Send documentation comments to [dcnm-san-docfeedback@cisco.com](mailto:dcnm-san-docfeedback@cisco.com)***

This section describes VSANs and includes the following topics:

- [VSANs Topologies, page 4-2](#)
- [VSAN Advantages, page 4-4](#)
- [VSANs Versus Zones, page 4-5](#)
- [VSAN Configuration, page 4-6](#)
- [About VSAN Creation, page 4-7](#)
- [About Port VSAN Membership, page 4-7](#)
- [About the Default VSAN, page 4-7](#)
- [About the Isolated VSAN, page 4-7](#)
- [Operational State of a VSAN, page 4-8](#)
- [About Static VSAN Deletion, page 4-8](#)
- [About Load Balancing, page 4-9](#)
- [About Interop Mode, page 4-9](#)
- [About FICON VSANs, page 4-9](#)

## VSANs Topologies

The switch icons shown in both [Figure 4-1](#) and [Figure 4-2](#) indicate that these features apply to any switch in the Cisco MDS 9000 Family.

[Figure 4-1](#) shows a fabric with three switches, one on each floor. The geographic location of the switches and the attached devices is independent of their segmentation into logical VSANs. No communication between VSANs is possible. Within each VSAN, all members can talk to one another.

**Send documentation comments to [dcnm-san-docfeedback@cisco.com](mailto:dcnm-san-docfeedback@cisco.com)**

**Figure 4-1 Logical VSAN Segmentation**

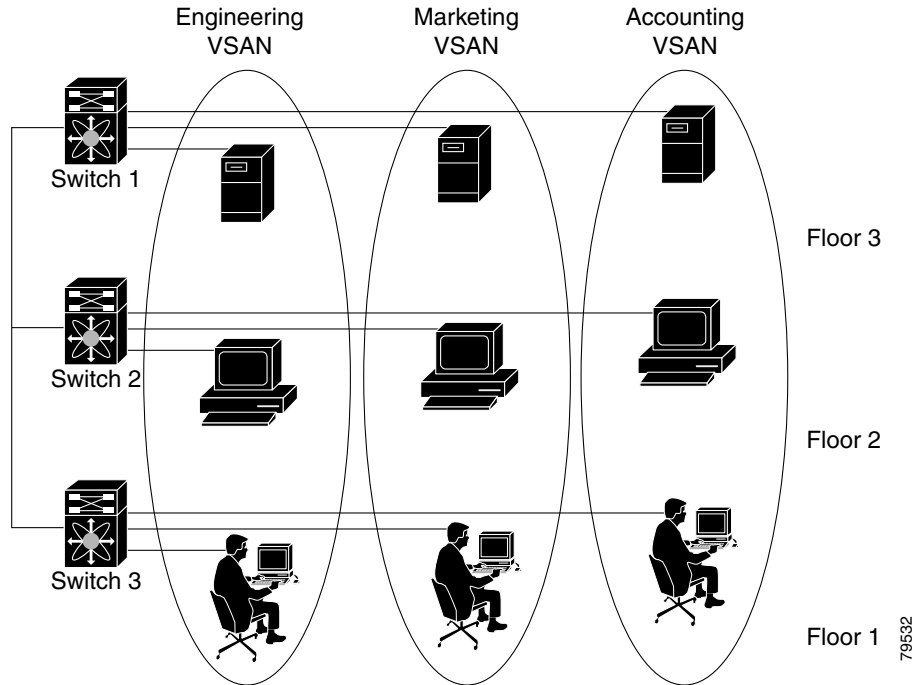
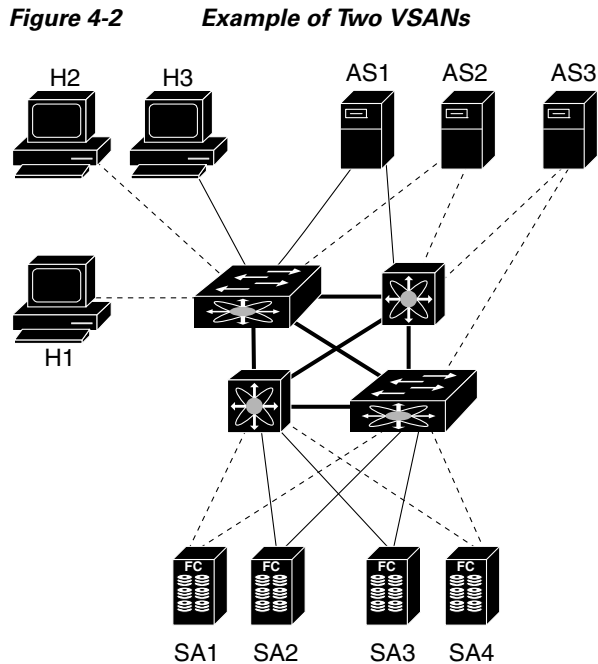


Figure 4-2 shows a physical Fibre Channel switching infrastructure with two defined VSANs: VSAN 2 (dashed) and VSAN 7 (solid). VSAN 2 includes hosts H1 and H2, application servers AS2 and AS3, and storage arrays SA1 and SA4. VSAN 7 connects H3, AS1, SA2, and SA3.

**Send documentation comments to [dcnm-san-docfeedback@cisco.com](mailto:dcnm-san-docfeedback@cisco.com)**



----- Link in VSAN 2

——— Link in VSAN 7

———— Trunk link

79533

The four switches in this network are interconnected by trunk links that carry both VSAN 2 and VSAN 7 traffic. The inter-switch topology of both VSAN 2 and VSAN 7 are identical. This is not a requirement and a network administrator can enable certain VSANs on certain links to create different VSAN topologies.

Without VSANs, a network administrator would need separate switches and links for separate SANs. By enabling VSANs, the same switches and links may be shared by multiple VSANs. VSANs allow SANs to be built on port granularity instead of switch granularity. [Figure 4-2](#) illustrates that a VSAN is a group of hosts or storage devices that communicate with each other using a virtual topology defined on the physical SAN.

The criteria for creating such groups differ based on the VSAN topology:

- VSANs can separate traffic based on the following requirements:
  - Different customers in storage provider data centers
  - Production or test in an enterprise network
  - Low and high security requirements
  - Backup traffic on separate VSANs
  - Replicating data from user traffic
- VSANs can meet the needs of a particular department or application.

## VSAN Advantages

VSANs offer the following advantages:

***Send documentation comments to [dcnm-san-docfeedback@cisco.com](mailto:dcnm-san-docfeedback@cisco.com)***

- Traffic isolation—Traffic is contained within VSAN boundaries and devices reside only in one VSAN ensuring absolute separation between user groups, if desired.
- Scalability—VSANs are overlaid on top of a single physical fabric. The ability to create several logical VSAN layers increases the scalability of the SAN.
- Per VSAN fabric services—Replication of fabric services on a per VSAN basis provides increased scalability and availability.
- Redundancy—Several VSANs created on the same physical SAN ensure redundancy. If one VSAN fails, redundant protection (to another VSAN in the same physical SAN) is configured using a backup path between the host and the device.
- Ease of configuration—Users can be added, moved, or changed between VSANs without changing the physical structure of a SAN. Moving a device from one VSAN to another only requires configuration at the port level, not at a physical level.

Up to 256 VSANs can be configured in a switch. Of these, one is a default VSAN (VSAN 1), and another is an isolated VSAN (VSAN 4094). User-specified VSAN IDs range from 2 to 4093.

## VSANs Versus Zones

You can define multiple zones in a VSAN. Because two VSANs are equivalent to two unconnected SANs, zone A on VSAN 1 is different and separate from zone A in VSAN 2. [Table 4-1](#) lists the differences between VSANs and zones.

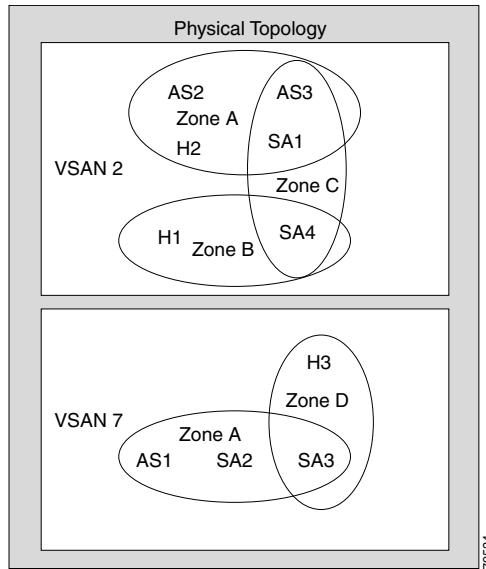
**Table 4-1 VSAN and Zone Comparison**

VSAN Characteristic	Zone Characteristic
VSANs equal SANs with routing, naming, and zoning protocols.	Routing, naming, and zoning protocols are not available on a per-zone basis.
—	Zones are always contained within a VSAN. Zones never span two VSANs.
VSANs limit unicast, multicast, and broadcast traffic.	Zones limit unicast traffic.
Membership is typically defined using the VSAN ID to Fx ports.	Membership is typically defined by the pWWN.
An HBA or a storage device can belong only to a single VSAN—the VSAN associated with the Fx port.	An HBA or storage device can belong to multiple zones.
VSANs enforce membership at each E port, source port, and destination port.	Zones enforce membership only at the source and destination ports.
VSANs are defined for larger environments (storage service providers).	Zones are defined for a set of initiators and targets not visible outside the zone.
VSANs encompass the entire fabric.	Zones are configured at the fabric edge.

[Figure 4-3](#) shows the possible relationships between VSANs and zones. In VSAN 2, three zones are defined: zone A, zone B, and zone C. Zone C overlaps both zone A and zone B as permitted by Fibre Channel standards. In VSAN 7, two zones are defined: zone A and zone D. No zone crosses the VSAN boundary—they are completely contained within the VSAN. Zone A defined in VSAN 7 is different and separate from zone A defined in VSAN 2.

**Send documentation comments to [dcnm-san-docfeedback@cisco.com](mailto:dcnm-san-docfeedback@cisco.com)**

**Figure 4-3 VSANS with Zoning**



## VSAN Configuration

VSANs have the following attributes:

- **VSAN ID**—The VSAN ID identifies the VSAN as the default VSAN (VSAN 1), user-defined VSANs (VSAN 2 to 4093), and the isolated VSAN (VSAN 4094).
- **State**—The administrative state of a VSAN can be configured to an active (default) or suspended state. Once VSANs are created, they may exist in various conditions or states.
  - The active state of a VSAN indicates that the VSAN is configured and enabled. By enabling a VSAN, you activate the services for that VSAN.
  - The suspended state of a VSAN indicates that the VSAN is configured but not enabled. If a port is configured in this VSAN, it is disabled. Use this state to deactivate a VSAN without losing the VSAN's configuration. All ports in a suspended VSAN are disabled. By suspending a VSAN, you can preconfigure all the VSAN parameters for the whole fabric and activate the VSAN immediately.
- **VSAN name**—This text string identifies the VSAN for management purposes. The name can be from 1 to 32 characters long and it must be unique across all VSANs. By default, the VSAN name is a concatenation of VSAN and a four-digit string representing the VSAN ID. For example, the default name for VSAN 3 is VSAN0003.



**Note** A VSAN name must be unique.

- **Load balancing attributes**—These attributes indicate the use of the source-destination ID (src-dst-id) or the originator exchange OX ID (src-dst-ox-id, the default) for load balancing path selection.

***Send documentation comments to [dcnm-san-docfeedback@cisco.com](mailto:dcnm-san-docfeedback@cisco.com)***

**Note**

---

OX ID based load balancing of IVR traffic from IVR-enabled switches is not supported on Generation 1 switching modules. OX ID based load balancing of IVR traffic from a non-IVR MDS 9000 Family switch should work. Generation 2 switching modules support OX ID based load balancing of IVR traffic from IVR-enabled switches.

---

## About VSAN Creation

A VSAN is in the operational state if the VSAN is active and at least one port is up. This state indicates that traffic can pass through this VSAN. This state cannot be configured.

## About Port VSAN Membership

Port VSAN membership on the switch is assigned on a port-by-port basis. By default, each port belongs to the default VSAN. You can assign VSAN membership to ports using one of two methods:

- Statically—By assigning VSANs to ports.  
See the [“Assigning Static Port VSAN Membership”](#) section on page 4-11.
- Dynamically—By assigning VSANs based on the device WWN. This method is referred to as dynamic port VSAN membership (DPVM).  
See [Chapter 6, “Creating Dynamic VSANs.”](#)

Trunking ports have an associated list of VSANs that are part of an allowed list ( refer to the *Cisco MDS 9000 Family NX-OS Interfaces Configuration Guide*).

## About the Default VSAN

The factory settings for switches in the Cisco MDS 9000 Family have only the default VSAN 1 enabled. We recommend that you do not use VSAN 1 as your production environment VSAN. If no VSANs are configured, all devices in the fabric are considered part of the default VSAN. By default, all ports are assigned to the default VSAN.

**Note**

---

VSAN 1 cannot be deleted, but it can be suspended.

---

**Note**

---

Up to 256 VSANs can be configured in a switch. Of these, one is a default VSAN (VSAN 1), and another is an isolated VSAN (VSAN 4094). User-specified VSAN IDs range from 2 to 4093.

---

## About the Isolated VSAN

VSAN 4094 is an isolated VSAN. All non-trunking ports are transferred to this VSAN when the VSAN to which they belong is deleted. This avoids an implicit transfer of ports to the default VSAN or to another configured VSAN. All ports in the deleted VSAN are isolated (disabled).

**Send documentation comments to [dcnm-san-docfeedback@cisco.com](mailto:dcnm-san-docfeedback@cisco.com)**

**Note**

When you configure a port in VSAN 4094 or move a port to VSAN 4094, that port is immediately isolated.

**Caution**

Do not use an isolated VSAN to configure ports.

**Note**

Up to 256 VSANs can be configured in a switch. Of these, one is a default VSAN (VSAN 1), and another is an isolated VSAN (VSAN 4094). User-specified VSAN IDs range from 2 to 4093.

## Operational State of a VSAN

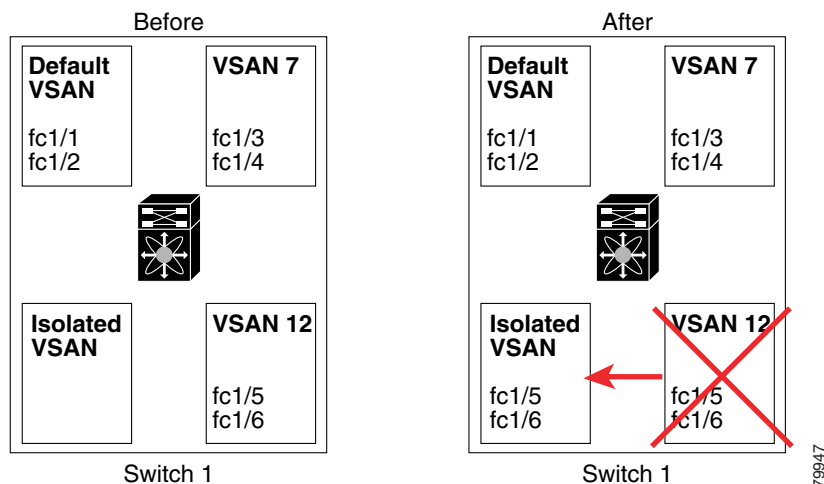
A VSAN is in the operational state if the VSAN is active and at least one port is up. This state indicates that traffic can pass through this VSAN. This state cannot be configured.

## About Static VSAN Deletion

When an active VSAN is deleted, all of its attributes are removed from the running configuration. VSAN-related information is maintained by the system software as follows:

- VSAN attributes and port membership details are maintained by the VSAN manager. This feature is affected when you delete a VSAN from the configuration. When a VSAN is deleted, all the ports in that VSAN are made inactive and the ports are moved to the isolated VSAN. If the same VSAN is recreated, the ports do not automatically get assigned to that VSAN. You must explicitly reconfigure the port VSAN membership (see [Figure 4-4](#)).

**Figure 4-4 VSAN Port Membership Details**



- VSAN-based runtime (name server), zoning, and configuration (static routes) information is removed when the VSAN is deleted.
- Configured VSAN interface information is removed when the VSAN is deleted.



**Send documentation comments to [dcnm-san-docfeedback@cisco.com](mailto:dcnm-san-docfeedback@cisco.com)**



**Note**

The allowed VSAN list is not affected when a VSAN is deleted (refer to the *Cisco MDS 9000 Family NX-OS Interfaces Configuration Guide*).

Any commands for a nonconfigured VSAN are rejected. For example, if VSAN 10 is not configured in the system, then a command request to move a port to VSAN 10 is rejected.

## About Load Balancing

Load balancing attributes indicate the use of the source-destination ID (src-dst-id) or the originator exchange OX ID (src-dst-ox-id, the default) for load balancing path selection.

## About Interop Mode

Interoperability enables the products of multiple vendors to come into contact with each other. Fibre Channel standards guide vendors towards common external Fibre Channel interfaces. See the “[Switch Interoperability](#)” section on page 15-5.

## About FICON VSANs

You can enable FICON in up to eight VSANs. See the “[FICON VSAN Prerequisites](#)” section on page 14-7.

## Host Provisioning Wizard

The Host Provisioning wizard provides an intuitive way to commission a new host or decommission an existing host without requiring the use of multiple tools and features. The wizard allows you to create a device alias, and configure DPVM, zoning, and flow creation.

## Licensing Requirements for VSAN

The following table shows the licensing requirements for this feature:

License	License Description
ENTERPRISE _PKG	The enterprise license is required to enable VSAN. For a complete explanation of the licensing scheme, see the <i>Cisco MDS 9000 Family NX-OS Licensing Guide</i> .

## Default Settings

[Table 4-2](#) lists the default settings for all configured VSANs.

**Send documentation comments to [dcnm-san-docfeedback@cisco.com](mailto:dcnm-san-docfeedback@cisco.com)**

**Table 4-2 Default VSAN Parameters**

Parameters	Default
Default VSAN	VSAN 1.
State	Active state.
Name	Concatenation of VSAN and a four-digit string representing the VSAN ID. For example, VSAN 3 is VSAN0003.
Load-balancing attribute	OX ID (src-dst-ox-id).

## Configuring VSANs

This section includes the following topics:

- [Creating VSANs, page 4-10](#)
- [Assigning Static Port VSAN Membership, page 4-11](#)
- [Deleting Static VSANs, page 4-12](#)
- [Commissioning a Host, page 4-13](#)
- [Decommissioning a Host, page 4-15](#)

## Creating VSANs

### Restrictions

You cannot configure any application-specific parameters for a VSAN before creating the VSAN.

### Detailed Steps

To create VSANs, follow these steps:

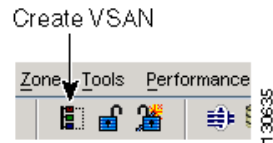
	Command	Purpose
<b>Step 1</b>	switch# <b>config t</b>	Enters configuration mode.
<b>Step 2</b>	switch(config)# <b>vsan database</b> switch(config-vsan-db)#	Configures the database for a VSAN. Application specific VSAN parameters cannot be configured from this prompt.
<b>Step 3</b>	switch(config-vsan-db)# <b>vsan 2</b>	Creates a VSAN with the specified ID (2) if that VSAN does not exist already.
<b>Step 4</b>	switch(config-vsan-db)# <b>vsan 2 name TechDoc</b> updated vsan 2	Updates the VSAN with the assigned name (TechDoc).
<b>Step 5</b>	switch(config-vsan-db)# <b>vsan 2 suspend</b>	Suspends the selected VSAN.
<b>Step 6</b>	switch(config-vsan-db)# <b>no vsan 2 suspend</b>	Negates the <b>suspend</b> command issued in the previous step.
<b>Step 7</b>	switch(config-vsan-db)# <b>end</b> switch#	Returns you to EXEC mode.

**Send documentation comments to [dcnm-san-docfeedback@cisco.com](mailto:dcnm-san-docfeedback@cisco.com)**

To create and configure VSANs, follow these steps:

- Step 1** Click the **Create VSAN** icon (see [Figure 4-5](#)).

**Figure 4-5 Create VSAN Icon**



**Note** As of Cisco SAN-OS Release 3.1(2) and later, if you check the Static Domain IDs check box, DCNM-SAN creates the VSAN in suspended mode and then automatically activates the VSAN.

- Step 2** Check the switches that you want in this VSAN.
- Step 3** Fill in the VSAN Name and VSAN ID fields.
- Step 4** Set the **LoadBalancing** value and the **InterOperValue**.
- Step 5** Set the Admin State to **active** or **suspended**.
- Step 6** Check the **Static Domain Ids** check box to assign an unused static domain ID to the VSAN.
- Step 7** (Optional) Select the **FICON** and **Enable Fabric Binding for Selected Switches** options if you want these features enabled.
- See the “[Configuring FICON](#)” section on page 14-21 and refer to the *Cisco MDS 9000 Family NX-OS Security Configuration Guide* for details.
- Step 8** Complete the fields in this dialog box and click **Create** to add the VSAN or click **Close**.

## Assigning Static Port VSAN Membership

### Detailed Steps

To statically assign VSAN membership for an interface port), follow these steps:

	Command	Purpose
<b>Step 1</b>	switch# <b>config t</b>	Enters configuration mode.
<b>Step 2</b>	switch(config)# <b>vsan database</b> switch(config-vsan-db)#	Configures the database for a VSAN.
<b>Step 3</b>	switch(config-vsan-db)# <b>vsan 2</b>	Creates a VSAN with the specified ID (2) if that VSAN does not exist already.
<b>Step 4</b>	switch(config-vsan-db)# <b>vsan 2 interface fc1/8</b>	Assigns the membership of the fc1/8 interface to the specified VSAN (VSAN 2).
<b>Step 5</b>	switch(config-vsan-db)# <b>vsan 7</b>	Creates another VSAN with the specified ID (7) if that VSAN does not exist already.

**Send documentation comments to [dcnm-san-docfeedback@cisco.com](mailto:dcnm-san-docfeedback@cisco.com)**

	Command	Purpose
<b>Step 6</b>	switch(config-vsan-db)# <b>vsan 7 interface fc1/8</b>	Updates the membership information of the interface to reflect the changed VSAN.
	switch(config-vsan-db)# <b>no vsan 7 interface fc1/8</b>	Removes the interface from the VSAN.

To statically assign VSAN membership for an interface, follow these steps:

- 
- Step 1** Choose **FC Interfaces > Physical** from the Physical Attributes pane. You see the interface configuration in the Information pane.
- Step 2** Click the **General** tab.
- You see the Fibre Channel general physical information. Double-click and complete the PortVSAN field.
- Step 3** Click **Apply Changes** to save these changes, or click **Undo Changes** to discard any unsaved changes.
- 

## Deleting Static VSANs

### Detailed Steps

To delete a VSAN and its various attributes, follow these steps:

	Command	Purpose
<b>Step 1</b>	switch# <b>config t</b>	Enters configuration mode.
<b>Step 2</b>	switch(config)# <b>vsan database</b> switch(config-db)#	Configures the VSAN database.
<b>Step 3</b>	switch-config-db# <b>vsan 2</b> switch(config-vsan-db)#	Places you in VSAN configuration mode.
<b>Step 4</b>	switch(config-vsan-db)# <b>no vsan 5</b> switch(config-vsan-db)#	Deletes VSAN 5 from the database and switch.
<b>Step 5</b>	switch(config-vsan-db)# <b>end</b> switch#	Places you in EXEC mode.

To delete a VSAN and its attributes, follow these steps:

- 
- Step 1** Select **All VSANs** from the Logical Domains pane.
- The VSANs in the fabric are listed in the Information pane.
- Step 2** Right-click the VSAN that you want to delete and select **Delete Row** from the drop-down menu.
- You see a confirmation dialog box.
- Step 3** Click **Yes** to confirm the deletion or **No** to close the dialog box without deleting the VSAN.
-

[Send documentation comments to dcnm-san-docfeedback@cisco.com](mailto:dcnm-san-docfeedback@cisco.com)

## Configuring Load Balancing

### Detailed Steps

To configure load balancing on an existing VSAN, follow these steps:

	Command	Purpose
Step 1	switch# <b>config t</b>	Enters configuration mode.
Step 2	switch(config)# <b>vsan database</b> switch(config-vsan-db)#	Enters VSAN database configuration submode
Step 3	switch(config-vsan-db)# <b>vsan 2</b>	Specifies an existing VSAN.
Step 4	switch(config-vsan-db)# <b>vsan 2</b> <b>loadbalancing src-dst-id</b>	Enables the load balancing guarantee for the selected VSAN and directs the switch to use the source and destination ID for its path selection process.
	switch(config-vsan-db)# <b>no vsan 2</b> <b>loadbalancing src-dst-id</b>	Negates the command issued in the previous step and reverts to the default values of the load balancing parameters.
	switch(config-vsan-db)# <b>vsan 2</b> <b>loadbalancing src-dst-ox-id</b>	Changes the path selection setting to use the source ID, the destination ID, and the OX ID (default).
Step 5	switch(config-vsan-db)# <b>vsan 2 suspend</b>	Suspends the selected VSAN.
Step 6	switch(config-vsan-db)# <b>no vsan 2 suspend</b>	Negates the <b>suspend</b> command issued in the previous step.
Step 7	switch(config-vsan-db)# <b>end</b> switch#	Returns you to EXEC mode.

To configure load balancing on an existing VSAN, follow these steps:

- 
- Step 1** Choose **Fabricxx > All VSANs** from the Logical Domains pane.  
You see the VSAN configuration in the Information pane.
  - Step 2** Select a VSAN and complete the LoadBalancing field.
  - Step 3** Click **Apply Changes** to save these changes, or click **Undo Changes** to discard any unsaved changes.
- 

## Commissioning a Host

### Detailed Steps

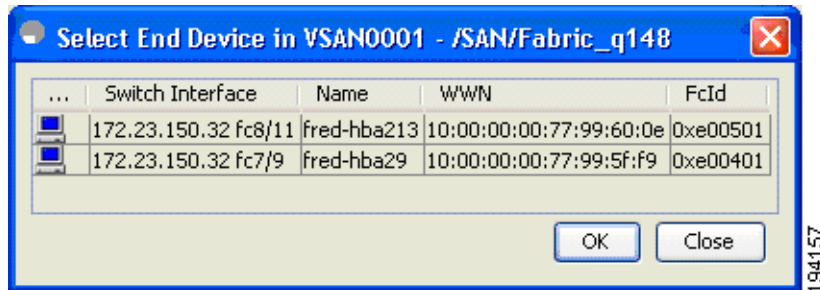
To commission a new host, follow these steps:

- 
- Step 1** From the DCNM-SAN window, select **Tools > Host Provisioning**.  
The Host Provisioning wizard window is displayed.
  - Step 2** Click the **Commission** radio button.

**Send documentation comments to [dcnm-san-docfeedback@cisco.com](mailto:dcnm-san-docfeedback@cisco.com)**

- Step 3** Click [...] and select the host from the existing configurations or VSAN (see Figure 4-6), or enter the WWN of a host that is not in VSAN or not configured yet.

**Figure 4-6** Select a Host



If the host configuration already exists, the switch, device alias, and VSAN information are populated in the window.

If the configuration does not exist already, enter a device alias for the WWN, enter a switch where the configuration will be initiated, and select a VSAN to which the host should belong. The entries are created and saved when you click Next in the Host Provisioning wizard window.

- Step 4** Uncheck the **Skip Zoning** check box.
- Step 5** Click **Next**. The Select Targets and the Select Zone windows appear.
- Step 6** Uncheck the **Skip DPVM** check box.
- Step 7** Click **Next**. The DPVM entries are created.
- Step 8** Click **Next**.
- The Select Targets window appears.



**Note**

The Host Provisioning wizard requires that basic and enhanced device alias, DPVM, and CFS to be enabled in all switches in the selected VSAN.

- Step 9** Select the target with which the host needs to communicate, and click **Add**.
- The target entry is moved to the bottom of the window.
- Step 10** Click **Next**.
- The Select Zone window appears.
- Step 11** Select a zone and check the **Create Flow after Activation** check box.
- The host and storage are added to a zone and the zone is activated, and a flow between host and storage is created when you click Finish.
- Step 12** Click **Finish**.
- The device alias and DPVM entries are created, a zone is created and activated, and the flow is created based on the check boxes you checked.

[Send documentation comments to dcnm-san-docfeedback@cisco.com](mailto:dcnm-san-docfeedback@cisco.com)

## Decommissioning a Host

### Detailed Steps

To decommission an existing host, follow these steps:

- 
- Step 1** From the DCNM-SAN window, select **Tools > Host Provisioning**.  
The Select Host window appears.
- Step 2** Click the **Decommission** radio button.
- Step 3** Click [...] and select the host from the existing configurations or VSAN, or enter the WWN of a host that is not in VSAN.  
The device alias and DPVM state from all of the switches in the selected VSAN are populated if device alias with CFS and CFS DPVM are enabled and if the WWN is an eight-byte number.
- Step 4** Click **Finish**. The device aliases are removed.
- Step 5** Uncheck the **Skip Zoning** check box.  
The WWN zone member is removed from all zones. If the zones without a WWN member become single member zones, these zones also are removed.
- Step 6** Click **Finish**. If there is a local active zone set change due to the removal of zones, the appropriate zone set is activated.
- Step 7** Uncheck the **Skip DPVM** check box.
- Step 8** Click **Finish**. The DPVM entry is removed.
- Step 9** Click **Next**.  
The Decommission Zones window appears.
- Step 10** Check the **Remove Flow after Deactivation** check box.  
The flow entry associated with the host is removed when you click Finish.
- Step 11** Click **Finish**.  
The device alias and DPVM entries are deleted, the zone is deactivated and deleted (if it has only one member after removing the host), and the flow is deleted depending on the check boxes you checked.
- 

## Verifying VSAN Configuration

To display the VSAN configuration information, perform one of the following tasks:

Command	Purpose
<code>show vsan 1 membership</code>	Displays Membership Information for the Specified VSAN
<code>show vsan membership</code>	Displays Static Membership Information for All VSANs
<code>show vsan membership interface fc1/1</code>	Displays Static Membership Information for a Specified Interface

**Send documentation comments to [dcnm-san-docfeedback@cisco.com](mailto:dcnm-san-docfeedback@cisco.com)**

Command	Purpose
show vsan 100	Displays the Configuration for a Specific VSAN
show vsan usage	Displays the VSAN Usage
show vsan	Displays All VSANs

For detailed information about the fields in the output from these commands, refer to the *Cisco MDS 9000 Family Command Reference*.

- [Displaying VSAN Static Membership, page 4-16](#)
- [Displaying Isolated VSAN Membership, page 4-16](#)
- [Displaying Static VSAN Configuration, page 4-17](#)

## Displaying VSAN Static Membership

To display the VSAN static membership information, use the **show vsan membership** command (see [Example 4-1](#) through [Example 4-3](#)).

### Example 4-1 Displays Membership Information for the Specified VSAN

```
switch # show vsan 1 membership
vsan 1 interfaces:
    fc1/1  fc1/2  fc1/3  fc1/4  fc1/5  fc1/6  fc1/7  fc1/9
    fc1/10 fc1/11 fc1/12 fc1/13 fc1/14 fc1/15 fc1/16 port-channel 99
```



#### Note

Interface information is not displayed if interfaces are not configured on this VSAN.

### Example 4-2 Displays Static Membership Information for All VSANs

```
switch # show vsan membership
vsan 1 interfaces:
    fc2/16 fc2/15 fc2/14 fc2/13 fc2/12 fc2/11 fc2/10 fc2/9
    fc2/8  fc2/7  fc2/6  fc2/5  fc2/4  fc2/3  fc2/2  fc2/1
    fc1/16 fc1/15 fc1/14 fc1/13 fc1/12 fc1/11 fc1/10 fc1/9
    fc1/7  fc1/6  fc1/5  fc1/4  fc1/3  fc1/2  fc1/1
vsan 2 interfaces:
    fc1/8
vsan 7 interfaces:
vsan 100 interfaces:
vsan 4094(isolated vsan) interfaces:
```

### Example 4-3 Displays Static Membership Information for a Specified Interface

```
switch # show vsan membership interface fc1/1
fc1/1
    vsan:1
    allowed list:1-4093
```

## Displaying Isolated VSAN Membership

The **show vsan 4094 membership** command displays all ports associated with the isolated VSAN.



***Send documentation comments to [dcnm-san-docfeedback@cisco.com](mailto:dcnm-san-docfeedback@cisco.com)***

To display interfaces that exist in the isolated VSAN, follow these steps:

- 
- Step 1** Expand **Fabricxx**, and then select **All VSANs** in the Logical Domains pane.  
You see the VSAN configuration in the Information pane.
- Step 2** Click the **Isolated Interfaces** tab.  
You see the interfaces that are in the isolated VSAN.
- 

## Displaying Static VSAN Configuration

Use the `show vsan` command to display information about configured VSANs (see Examples 4-4 to 4-6).

### **Example 4-4** *Displays the Configuration for a Specific VSAN*

```
switch# show vsan 100
vsan 100 information
      name:VSAN0100 state:active
      in-order guarantee:no interoperability mode:no
      loadbalancing:src-id/dst-id/oxid
```

### **Example 4-5** *Displays the VSAN Usage*

```
switch# show vsan usage
4 vsan configured
configured vsans:1-4
vsans available for configuration:5-4093
```

### **Example 4-6** *Displays All VSANs*

```
switch# show vsan
vsan 1 information
      name:VSAN0001 state:active
      in-order guarantee:no interoperability mode:no
      loadbalancing:src-id/dst-id/oxid
vsan 2 information
      name:VSAN0002 state:active
      in-order guarantee:no interoperability mode:no
      loadbalancing:src-id/dst-id/oxid
vsan 7 information
      name:VSAN0007 state:active
      in-order guarantee:no interoperability mode:no
      loadbalancing:src-id/dst-id/oxid
vsan 100 information
      name:VSAN0100 state:active
      in-order guarantee:no interoperability mode:no
      loadbalancing:src-id/dst-id/oxid
vsan 4094:isolated vsan
```

## Field Descriptions for VSAN

The following are the field descriptions for VSAN.

**Send documentation comments to [dcnm-san-docfeedback@cisco.com](mailto:dcnm-san-docfeedback@cisco.com)**

## VSAN General

Field	Description
Name	The name of the VSAN. Note that default value will be the string VSANxxx where xxx is value of vsanIndex expressed as 4 digits. For example, if vsanIndex is 23, the default value is VSAN0023.
Mtu	The MTU of the VSAN. Normally, this is 2112.
LoadBalancing	The type of load balancing used on this VSAN. <ul style="list-style-type: none"> <li>srcdst— use source and destination ID for path selection</li> <li>srcdst 0xld— use source, destination, and exchange IDs</li> </ul>
InterOp	The interoperability mode of the local switch on this VSAN. <ul style="list-style-type: none"> <li>standard</li> <li>interop-1</li> <li>interop-2</li> <li>interop-3</li> </ul>
AdminState	The state of this VSAN.
OperState	The operational state of the VSAN.
InOrderDelivery	The InorderDelivery guarantee flag of device. If true, then the inorder delivery is guaranteed. If false, it is not guaranteed.
DomainId	Specifies an insistent domain ID.
FICON	True if the VSAN is FICON-enabled.
Network Latency	Network latency of this switch on this VSAN. This is the time interval after which the frames are dropped if they are not delivered in the order they were transmitted.

## VSAN Membership

Field	Description
Switch	Name of the switch
Ports	FC ports in VSAN
Channels	PortChannels in VSAN
FCIP	FCIP Interfaces in VSAN
iSCSI	iSCSI Interfaces in VSAN
FICON	Interfaces in VSAN by FICON
FC Virtual Interface	Virtual FC interfaces in VSAN

***Send documentation comments to [dcnm-san-docfeedback@cisco.com](mailto:dcnm-san-docfeedback@cisco.com)***

## VSAN Interop-4 WWN

Field	Description
VSAN ID	The ID of the VSAN containing the McData switch.
WWN	The WWN of the McData switch.

## VSAN Timers

Field	Description
VSAN Id	The ID of the VSAN.
R_A_TOV	The Resource_Allocation_Timeout Value used for FxPorts as the timeout value for determining when to reuse an NxPort resource such as a Recovery_Qualifier. It represents E_D_TOV plus twice the maximum time that a frame may be delayed within the fabric and still be delivered. Note that all switches in a fabric should be configured with the same value of this timeout.
D_S_TOV	The Distributed_Services_Timeout Value which indicates that how long a distributed services requestor will wait for a response.
E_D_TOV	The Error_Detect_Timeout Value used for FxPorts as the timeout value for detecting an error condition. Note that all switches in a fabric should be configured with the same value of this timeout. Note that value must be less than value of D_S_TOV.
NetworkDropLatency	Network latency of this switch on this VSAN.

## VSAN Default Zone Policies

Field	Description
Zone Behavior	Represents the initial value for default zone behavior on a VSAN when it is created. If a VSAN were to be deleted and re-created again, the default zone behavior will be set to the value specified for this object.
Propagation Mode	Represents the initial value for zone set propagation mode on a VSAN when it is created. If a VSAN were to be deleted and re-created again, the zone set propagation mode will be set to the value specified for this object.

## Additional References

For additional information related to implementing VSANs, see the following section:

- [Related Document, page 4-20](#)
- [Standards, page 4-20](#)

***Send documentation comments to [dcnm-san-docfeedback@cisco.com](mailto:dcnm-san-docfeedback@cisco.com)***

- [RFCs, page 4-20](#)
- [MIBs, page 4-20](#)

## Related Document

Related Topic	Document Title
Cisco MDS 9000 Family Command Reference	<i>Cisco MDS 9000 Family Command Reference</i>

## Standards

Standard	Title
No new or modified standards are supported by this feature, and support for existing standards has not been modified by this feature.	–

## RFCs

RFC	Title
No new or modified RFCs are supported by this feature, and support for existing RFCs has not been modified.	–

## MIBs

MIBs	MIBs Link
<ul style="list-style-type: none"> <li>• CISCO-VSAN-MIB</li> <li>• CISCO-VSAN-CAPABILITY</li> </ul>	To locate and download MIBs, go to the following URL: <a href="http://www.cisco.com/en/US/products/ps5989/prod_technical_reference_list.html">http://www.cisco.com/en/US/products/ps5989/prod_technical_reference_list.html</a>