



CHAPTER **26**

Configuring Fibre Channel Routing Services and Protocols

Fabric Shortest Path First (FSPF) is the standard path selection protocol used by Fibre Channel fabrics. The FSPF feature is enabled by default on all Fibre Channel switches. Except in configurations that require special consideration, you do not need to configure any FSPF services. FSPF automatically calculates the best path between any two switches in a fabric. Specifically, FSPF is used to:

- Dynamically compute routes throughout a fabric by establishing the shortest and quickest path between any two switches.
- Select an alternative path in the event of the failure of a given path. FSPF supports multiple paths and automatically computes an alternative path around a failed link. It provides a preferred route when two equal paths are available.

This chapter provides details on Fibre Channel routing services and protocols. It includes the following sections:

- [About FSPF, page 26-2](#)
- [FSPF Global Configuration, page 26-4](#)
- [FSPF Interface Configuration, page 26-6](#)
- [FSPF Routes, page 26-9](#)
- [In-Order Delivery, page 26-13](#)
- [Flow Statistics Configuration, page 26-18](#)
- [Default Settings, page 26-22](#)

[Send documentation comments to mdsfeedback-doc@cisco.com](mailto:mdsfeedback-doc@cisco.com)

About FSPF

FSPF is the protocol currently standardized by the T11 committee for routing in Fibre Channel networks. The FSPF protocol has the following characteristics and features:

- Supports multipath routing.
- Bases path status on a link state protocol.
- Routes hop by hop, based only on the domain ID.
- Runs only on E ports or TE ports and provides a loop free topology.
- Runs on a per VSAN basis. Connectivity in a given VSAN in a fabric is guaranteed only for the switches configured in that VSAN.
- Uses a topology database to keep track of the state of the links on all switches in the fabric and associates a cost with each link.
- Guarantees a fast reconvergence time in case of a topology change. Uses the standard Dijkstra's algorithm, but there is a static dynamic option for a more robust, efficient, and incremental Dijkstra's algorithm. The reconvergence time is fast and efficient as the route computation is done on a per VSAN basis.

FSPF Examples

This section provides examples of topologies and applications that demonstrate the benefits of FSPF.



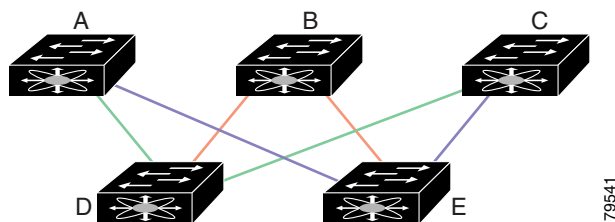
Note

The FSPF feature can be used on any topology.

Fault Tolerant Fabric

Figure 26-1 depicts a fault tolerant fabric using a partial mesh topology. If a link goes down anywhere in the fabric, any switch can still communicate with all others in the fabric. In the same way, if any switch goes down, the connectivity of the rest of the fabric is preserved.

Figure 26-1 Fault Tolerant Fabric



For example, if all links are of equal speed, the FSPF calculates two equal paths from A to C: A-D-C (green) and A-E-C (blue).

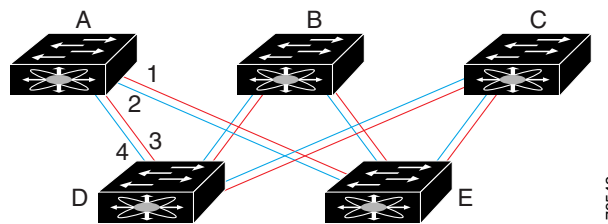
Send documentation comments to mdsfeedback-doc@cisco.com

Redundant Links

To further improve on the topology in [Figure 26-1](#), each connection between any pair of switches can be replicated; two or more links can be present between a pair of switches. [Figure 26-2](#) shows this arrangement. Because switches in the Cisco MDS 9000 Family support PortChanneling, each pair of physical links can appear to the FSPF protocol as one single logical link.

By bundling pairs of physical links, FSPF efficiency is considerably improved by the reduced database size and the frequency of link updates. Once physical links are aggregated, failures are not attached to a single link but to the entire PortChannel. This configuration also improves the resiliency of the network. The failure of a link in a PortChannel does not trigger a route change, thereby reducing the risks of routing loops, traffic loss, or fabric downtime for route reconfiguration.

Figure 26-2 Fault Tolerant Fabric with Redundant Links



For example, if all links are of equal speed and no PortChannels exist, the FSPF calculates four equal paths from A to C: A1-E-C, A2-E-C, A3-D-C, and A4-D-C. If PortChannels exist, these paths are reduced to two.

Fail-Over Scenarios for PortChannels and FSPF Links

The SmartBits traffic generator was used to evaluate the scenarios displayed in [Figure 26-3](#). Two links between switch 1 and switch 2 exist as either equal-cost ISLs or PortChannels. There is one flow from traffic generator 1 to traffic generator 2. The traffic was tested at 100% utilization at 1 Gbps in two scenarios:

- Disabling the traffic link by physically removing the cable (see [Table 26-1](#)).
- Shutting down either switch 1 or switch 2 (see [Table 26-2](#)).

Figure 26-3 Fail-Over Scenario Using Traffic Generators

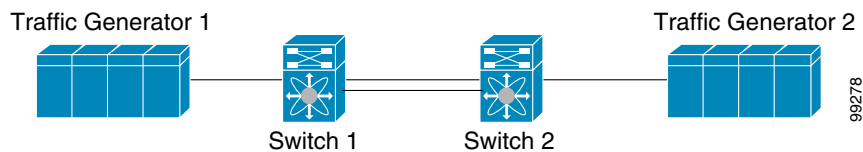


Table 26-1 Physically Removing the Cable for the SmartBits Scenario

PortChannel Scenario		FSPF Scenario (Equal cost ISL)	
Switch 1	Switch 2	Switch 1	Switch 2
110 msec (~2K frame drops)		130+ msec (~4k frame drops)	
100 msec (hold time when a signal loss is reported as mandated by the standard)			

Send documentation comments to mdsfeedback-doc@cisco.com

Table 26-2 Shutting Down the Switch for the SmartBits Scenario

PortChannel Scenario		FSPF Scenario (Equal cost ISL)	
Switch 1	Switch 2	Switch 1	Switch 2
~0 msec (~8 frame drops)	110 msec (~2K frame drops)	130+ msec (~4K frame drops)	
No hold time needed	Signal loss on switch 1	No hold time needed	Signal loss on switch 1

FSPF Global Configuration

By default, FSPF is enabled on switches in the Cisco MDS 9000 Family.

Some FSPF features can be globally configured in each VSAN. By configuring a feature for the entire VSAN, you do not have to specify the VSAN number for every command. This global configuration feature also reduces the chance of typing errors or other minor configuration errors.



Note

FSPF is enabled by default. Generally, you do not need to configure these advanced features.



Caution

The default for the backbone region is 0 (zero). You do not need to change this setting unless your region is different from the default. If you are operating with other vendors using the backbone region, you can change this default to be compatible with those settings.

This section includes the following topics:

- [About SPF Computational Hold Times, page 26-4](#)
- [About Link State Record Defaults, page 26-4](#)
- [Configuring FSPF on a VSAN, page 26-5](#)
- [Resetting FSPF to the Default Configuration, page 26-5](#)
- [Enabling or Disabling FSPF, page 26-6](#)
- [Clearing FSPF Counters for the VSAN, page 26-6](#)

About SPF Computational Hold Times

The SPF computational hold time sets the minimum time between two consecutive SPF computations on the VSAN. Setting this to a small value means that FSPF reacts faster to any fabric changes by recomputing paths on the VSAN. A small SPF computational hold time uses more switch CPU time.

About Link State Record Defaults

Each time a new switch enters the fabric, a link state record (LSR) is sent to the neighboring switches, and then flooded throughout the fabric. [Table 26-3](#) displays the default settings for switch responses.

Send documentation comments to mdsfeedback-doc@cisco.com

Table 26-3 LSR Default Settings

LSR Option	Default	Description
Acknowledgment interval (RxmtInterval)	5 seconds	The time a switch waits for an acknowledgment from the LSR before retransmission.
Refresh time (LSRefreshTime)	30 minutes	The time a switch waits before sending an LSR refresh transmission.
Maximum age (MaxAge)	60 minutes	The time a switch waits before dropping the LSR from the database.

The LSR minimum arrival time is the period between receiving LSR updates on this VSAN. Any LSR updates that arrive before the LSR minimum arrival time are discarded.

The LSR minimum interval time is the frequency at which this switch sends LSR updates on a VSAN.

Configuring FSPF on a VSAN

To configure an FSPF feature for the entire VSAN, follow these steps:

	Command	Purpose
Step 1	switch# config t switch(config)#	Enters configuration mode.
Step 2	switch(config)# fspf config vsan 1	Enters FSPF global configuration mode for the specified VSAN.
Step 3	switch-config-(fspf-config)# spf static	Forces static SPF computation for the dynamic (default) incremental VSAN.
Step 4	switch-config-(fspf-config)# spf hold-time 10	Configures the hold time between two route computations in milliseconds (msec) for the entire VSAN. The default value is 0. Note If the specified time is shorter, the routing is faster. However, the processor consumption increases accordingly.
Step 5	switch-config-(fspf-config)# region 7	Configures the autonomous region for this VSAN and specifies the region ID (7).

Resetting FSPF to the Default Configuration

To return the FSPF VSAN global configuration to its factory default, follow these steps:

	Command	Purpose
Step 1	switch# config t switch(config)#	Enters configuration mode.
Step 2	switch(config)# no fspf config vsan 3	Deletes the FSPF configuration for VSAN 3.

Send documentation comments to mdsfeedback-doc@cisco.com

Enabling or Disabling FSPF

To enable or disable FSPF routing protocols, follow these steps:

	Command	Purpose
Step 1	switch# config t switch(config)#	Enters configuration mode.
Step 2	switch(config)# fspf enable vsan 7	Enables the FSPF routing protocol in VSAN 7.
	switch(config)# no fspf enable vsan 5	Disables the FSPF routing protocol in VSAN 5.

Clearing FSPF Counters for the VSAN

To clear the FSPF statistics counters for the entire VSAN, follow this step:

	Command	Purpose
Step 1	switch# clear fspf counters vsan 1	Clears the FSPF statistics counters for the specified VSAN. If an interface reference is not specified, all counters are cleared.

FSPF Interface Configuration

Several FSPF commands are available on a per interface basis. These configuration procedures apply to an interface in a specific VSAN.

This section includes the following topics:

- [About FSPF Link Cost, page 26-6](#)
- [Configuring FSPF Link Cost, page 26-7](#)
- [About Hello Time Intervals, page 26-7](#)
- [Configuring Hello Time Intervals, page 26-7](#)
- [About Dead Time Intervals, page 26-7](#)
- [Configuring Dead Time Intervals, page 26-8](#)
- [About Retransmitting Intervals, page 26-8](#)
- [Configuring Retransmitting Intervals, page 26-8](#)
- [About Disabling FSPF for Specific Interfaces, page 26-8](#)
- [Disabling FSPF for Specific Interfaces, page 26-9](#)
- [Clearing FSPF Counters for an Interface, page 26-9](#)

About FSPF Link Cost

FSPF tracks the state of links on all switches in the fabric, associates a cost with each link in its database, and then chooses the path with a minimal cost. The cost associated with an interface can be administratively changed to implement the FSPF route selection. The integer value to specify cost can range from 1 to 65,535. The default cost for 1 Gbps is 1000 and for 2 Gbps is 500.

[Send documentation comments to mdsfeedback-doc@cisco.com](mailto:mdsfeedback-doc@cisco.com)

Configuring FSPF Link Cost

To configure FSPF link cost, follow these steps:

	Command	Purpose
Step 1	switch# config t switch(config)#	Enters configuration mode.
Step 2	switch(config)# interface fc1/4 switch(config-if)#	Configures the specified interface, or if already configured, enters configuration mode for the specified interface.
Step 3	switch(config-if)# fspf cost 5 vsan 90	Configures the cost for the selected interface in VSAN 90.

About Hello Time Intervals

You can set the FSPF Hello time interval to specify the interval between the periodic hello messages sent to verify the health of the link. The integer value can range from 1 to 65,535 seconds.



Note

This value must be the same in the ports at both ends of the ISL.

Configuring Hello Time Intervals

To configure the FSPF Hello time interval, follow these steps:

	Command	Purpose
Step 1	switch# config t switch(config)#	Enters configuration mode.
Step 2	switch(config)# interface fc1/4 switch(config-if)#	Configures the specified interface, or if already configured, enters configuration mode for the specified interface.
Step 3	switch(config-if)# fspf hello-interval 15 vsan 175 switch(config-if)#	Specifies the hello message interval (15 seconds) to verify the health of the link in VSAN 175. The default is 20 seconds.

About Dead Time Intervals

You can set the FSPF dead time interval to specify the maximum interval for which a hello message must be received before the neighbor is considered lost and removed from the database. The integer value can range from 1 to 65,535 seconds.



Note

This value must be the same in the ports at both ends of the ISL.

Send documentation comments to mdsfeedback-doc@cisco.com

**Caution**

An error is reported at the command prompt if the configured dead time interval is less than the hello time interval.

Configuring Dead Time Intervals

To configure the FSPF dead time interval, follow these steps:

	Command	Purpose
Step 1	switch# config t switch(config)#	Enters configuration mode.
Step 2	switch(config)# interface fc1/4 switch(config-if)#	Configures the specified interface, or if already configured, enters configuration mode for the specified interface.
Step 3	switch(config-if)# fspf dead-interval 25 vsan 7 switch(config-if)#	Specifies the maximum interval for VSAN 7 before which a hello message must be received on the selected interface before the neighbor is considered lost. The default is 80 seconds.

About Retransmitting Intervals

You can specify the time after which an unacknowledged link state update should be transmitted on the interface. The integer value to specify retransmit intervals can range from 1 to 65,535 seconds.

**Note**

This value must be the same on the switches on both ends of the interface.

Configuring Retransmitting Intervals

To configure the FSPF retransmit time interval, follow these steps:

	Command	Purpose
Step 1	switch# config t switch(config)#	Enters configuration mode.
Step 2	switch(config)# interface fc1/4 switch(config-if)#	Configures the specified interface, or if already configured, enters configuration mode for the specified interface.
Step 3	switch(config-if)# fspf retransmit-interval 15 vsan 12 switch(config-if)#	Specifies the retransmit time interval for unacknowledged link state updates in VSAN 12. The default is 5 seconds.

About Disabling FSPF for Specific Interfaces

You can disable the FSPF protocol for selected interfaces. By default, FSPF is enabled on all E ports and TE ports. This default can be disabled by setting the interface as passive.

Send documentation comments to mdsfeedback-doc@cisco.com



Note

FSPF must be enabled at both ends of the interface for the protocol to work.

Disabling FSPF for Specific Interfaces

You can disable the FSPF protocol for selected interfaces. By default, FSPF is enabled on all E ports and TE ports. This default can be disabled by setting the interface as passive.

To disable FSPF for a specific interface, follow these steps:

	Command	Purpose
Step 1	switch# config t switch(config)#	Enters configuration mode.
Step 2	switch(config)# interface fc1/4 switch(config-if)#	Configures a specified interface, or if already configured, enters configuration mode for the specified interface.
Step 3	switch(config-if)# fspf passive vsan 1 switch(config-if)#	Disables the FSPF protocol for the specified interface in the specified VSAN.
	switch(config-if)# no fspf passive vsan 1 switch(config-if)#	Reenables the FSPF protocol for the specified interface in the specified VSAN.

You can disable the FSPF protocol for selected interfaces. By default, FSPF is enabled on all E ports and TE ports. This default can be disabled by setting the interface as passive.

Clearing FSPF Counters for an Interface

To clear the FSPF statistics counters for an interface, follow this step:

	Command	Purpose
Step 1	switch# clear fspf counters vsan 200 interface fc1/1	Clears the FSPF statistics counters for the specified interface in VSAN 200.

FSPF Routes

FSPF routes traffic across the fabric, based on entries in the FSPF database. These routes can be learned dynamically, or configured statically.

This section includes the following topics:

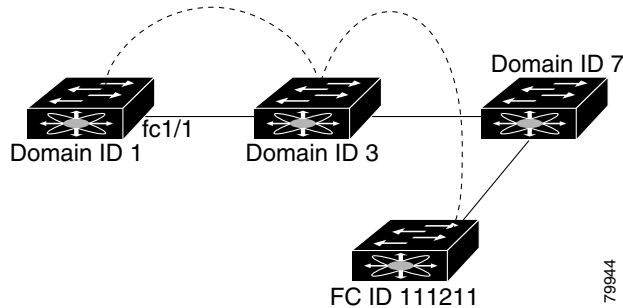
- [About Fibre Channel Routes, page 26-10](#)
- [Configuring Fibre Channel Routes, page 26-10](#)
- [About Broadcast and Multicast Routing, page 26-12](#)
- [About Multicast Root Switch, page 26-12](#)
- [Setting the Multicast Root Switch, page 26-12](#)

[Send documentation comments to mdsfeedback-doc@cisco.com](mailto:mdsfeedback-doc@cisco.com)

About Fibre Channel Routes

Each port implements forwarding logic, which forwards frames based on its FC ID. Using the FC ID for the specified interface and domain, you can configure the specified route (for example FC ID 111211 and domain ID 3) in the switch with domain ID 1 (see [Figure 26-4](#)).

Figure 26-4 Fibre Channel Routes



Note

Other than in VSANs, runtime checks are not performed on configured and suspended static routes.

Configuring Fibre Channel Routes

To configure a Fibre Channel route, follow these steps:

	Command	Purpose
Step 1	switch# config t switch(config)#	Enters configuration mode.

Send documentation comments to mdsfeedback-doc@cisco.com

	Command	Purpose
Step 2	switch(config)# fcroute 0x111211 interface fc1/1 domain 3 vsan 2 switch(config)#	Configures the route for the specified Fibre Channel interface and domain. In this example, interface fc1/1 is assigned an FC ID (0x111211) and a domain ID (3) to the next hop switch.
	switch(config)# fcroute 0x111211 interface port-channel 1 domain 3 vsan 4 switch(config)#	Configures the route for the specified PortChannel interface and domain. In this example, interface port-channel 1 is assigned an FC ID (0x111211) and a domain ID (3) to the next hop switch.
	switch(config)# fcroute 0x031211 interface fc1/1 domain 3 metric 1 vsan 1 switch(config-if)#	Configures the static route for a specific FC ID and next hop domain ID and also assigns the cost of the route. If the remote destination option is not specified, the default is direct.
	switch(config)# fcroute 0x111112 interface fc1/1 domain 3 metric 3 remote vsan 3	Adds a static route to the RIB. If this is an active route and the FIB ¹ records are free, it is also added to the FIB. If the cost (metric) of the route is not specified, the default is 10.
Step 3	switch(config)# fcroute 0x610000 0xff0000 interface fc 1/1 domain 1 vsan 2 switch(config)#	Configures the netmask for the specified route in interface fc1/1 (or PortChannel). You can specify one of three routes: 0xff0000 matches only the domain, 0xffff00 matches the domain and the area, 0xfffff matches the domain, area, and port.

1. FIB = Forwarding Information Base

[Send documentation comments to mdsfeedback-doc@cisco.com](mailto:mdsfeedback-doc@cisco.com)

About Broadcast and Multicast Routing

Broadcast and multicast in a Fibre Channel fabric uses the concept of a distribution tree to reach all switches in the fabric.

FSPF provides the topology information to compute the distribution tree. Fibre Channel defines 256 multicast groups and one broadcast address for each VSAN. Switches in the Cisco MDS 9000 Family only use broadcast routing. By default, they use the principal switch as the root node to derive a loop-free distribution tree for multicast and broadcast routing in a VSAN.



Caution

All switches in the fabric should run the same multicast and broadcast distribution tree algorithm to ensure the same distribution tree.

To interoperate with other vendor switches (following FC-SW3 guidelines), the SAN-OS and NX-OS 4.1(1b) and later software uses the lowest domain switch as the root to compute the multicast tree in interop mode.

About Multicast Root Switch

By default, the native (non-interop) mode uses the principal switch as the root. If you change the default, be sure to configure the same mode in all switches in the fabric. Otherwise, multicast traffic could face potential loop and frame-drop problems.



Note

The operational mode can be different from the configured interop mode. The interop mode always uses the lowest domain switch as the root.

Use the **mcast root lowest vsan** command to change the multicast root from the principal switch to lowest domain switch.

Setting the Multicast Root Switch

To use the lowest domain switch for the multicast tree computation, follow these steps:

	Command	Purpose
Step 1	switch# config t switch(config)#	Enters configuration mode.
Step 2	switch(config)# mcast root lowest vsan 1	Uses the lowest domain switch to compute the multicast tree.
	switch(config)# mcast root principal vsan 1	Defaults to using the principal switch to compute the multicast tree.

To display the configured and operational multicast mode and the selected root domain, use the **show mcast** command.

```
switch# show mcast vsan 1
Multicast root for VSAN 1
  Configured root mode : Principal switch
  Operational root mode : Principal switch
  Root Domain ID : 0xef(239)
```

Send documentation comments to mdsfeedback-doc@cisco.com

In-Order Delivery

In-Order Delivery (IOD) of data frames guarantees frame delivery to a destination in the same order that they were sent by the originator.

Some Fibre Channel protocols or applications cannot handle out-of-order frame delivery. In these cases, switches in the Cisco MDS 9000 Family preserve frame ordering in the frame flow. The source ID (SID), destination ID (DID), and optionally the originator exchange ID (OX ID) identify the flow of the frame.

On any given switch with IOD enabled, all frames received by a specific ingress port and destined to a certain egress port are always delivered in the same order in which they were received.

Use IOD only if your environment cannot support out-of-order frame delivery.



Tip

If you enable the in-order delivery feature, the graceful shutdown feature is not implemented.

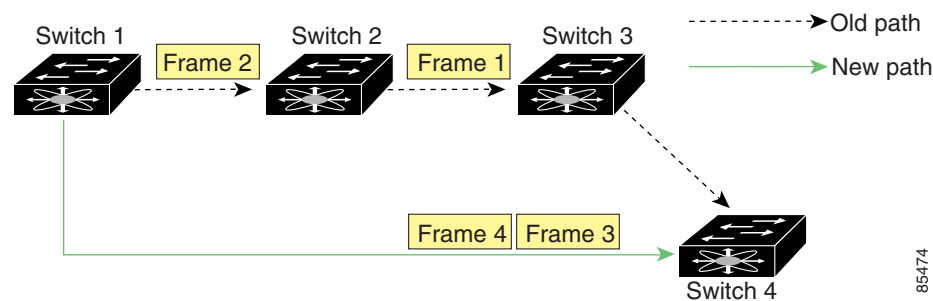
This section includes the following topics:

- [About Reordering Network Frames, page 26-13](#)
- [About Reordering PortChannel Frames, page 26-14](#)
- [About Enabling In-Order Delivery, page 26-14](#)
- [Enabling In-Order Delivery Globally, page 26-16](#)
- [Enabling In-Order Delivery for a VSAN, page 26-16](#)
- [Displaying the In-Order Delivery Status, page 26-16](#)
- [Configuring the Drop Latency Time, page 26-17](#)
- [Displaying Latency Information, page 26-17](#)

About Reordering Network Frames

When you experience a route change in the network, the new selected path may be faster or less congested than the old route.

Figure 26-5 Route Change Delivery



85474

Send documentation comments to mdsfeedback-doc@cisco.com

In [Figure 26-5](#), the new path from Switch 1 to Switch 4 is faster. In this scenario, Frame 3 and Frame 4 may be delivered before Frame 1 and Frame 2.

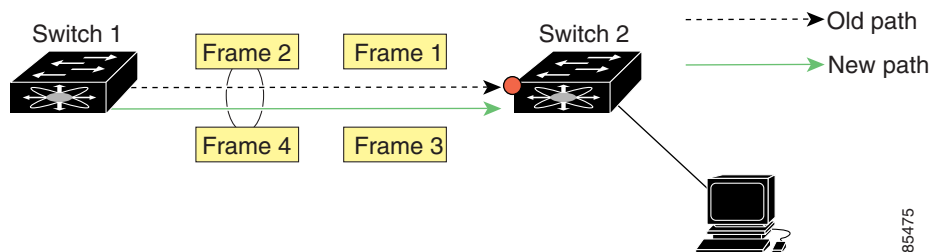
If the in-order guarantee feature is enabled, the frames within the network are treated as follows:

- Frames in the network are delivered in the order in which they are transmitted.
- Frames that cannot be delivered in order within the network latency drop period are dropped inside the network.

About Reordering PortChannel Frames

When a link change occurs in a PortChannel, the frames for the same exchange or the same flow can switch from one path to another faster path.

Figure 26-6 Link Congestion Delivery



In [Figure 26-6](#), the port of the old path (red dot) is congested. In this scenario, Frame 3 and Frame 4 can be delivered before Frame 1 and Frame 2.

The in-order delivery feature attempts to minimize the number of frames dropped during PortChannel link changes when the in-order delivery is enabled by sending a request to the remote switch on the PortChannel to flush all frames for this PortChannel.



Note

Both switches on the PortChannel must be running Cisco SAN-OS Release 3.0(1) for this IOD enhancement. For earlier releases, IOD waits for the switch latency period before sending new frames.

When the in-order delivery guarantee feature is enabled and a PortChannel link change occurs, the frames crossing the PortChannel are treated as follows:

- Frames using the old path are delivered before new frames are accepted.
- The new frames are delivered through the new path after the switch latency drop period has elapsed and all old frames are flushed.

Frames that cannot be delivered in order through the old path within the switch latency drop period are dropped. See the [“Configuring the Drop Latency Time”](#) section on page 26-17.

About Enabling In-Order Delivery

You can enable the in-order delivery feature for a specific VSAN or for the entire switch. By default, in-order delivery is disabled on switches in the Cisco MDS 9000 Family.

Send documentation comments to mdsfeedback-doc@cisco.com

**Tip**

We recommend that you only enable this feature when devices that cannot handle any out-of-order frames are present in the switch. Load-balancing algorithms within the Cisco MDS 9000 Family ensure that frames are delivered in order during normal fabric operation. The load-balancing algorithms based on source FC ID, destination FC ID, and exchange ID are enforced in hardware without any performance degradation. However, if the fabric encounters a failure and this feature is enabled, the recovery will be delayed because of an intentional pausing of fabric forwarding to purge the fabric of resident frames that could potentially be forwarded out-of-order.

[Send documentation comments to mdsfeedback-doc@cisco.com](mailto:mdsfeedback-doc@cisco.com)

Enabling In-Order Delivery Globally

To ensure that the in-order delivery parameters are uniform across all VSANs on an MDS switch, enable in-order delivery globally.

Only enable in-order delivery globally if this is a requirement across your entire fabric. Otherwise, enable IOD only for the VSANs that require this feature.



Note

Enable in-order delivery on the entire switch before performing a downgrade to Cisco MDS SAN-OS Release 1.3(3) or earlier.

To enable in-order delivery for the switch, follow these steps:

	Command	Purpose
Step 1	switch# config t switch(config)#	Enters configuration mode.
Step 2	switch(config)# in-order-guarantee	Enables in-order delivery in the switch.
	switch(config)# no in-order-guarantee	Reverts the switch to the factory defaults and disables the in-order delivery feature.

Enabling In-Order Delivery for a VSAN

When you create a VSAN, that VSAN automatically inherits the global in-order-guarantee value. You can override this global value by enabling or disabling in-order-guarantee for the new VSAN.

To use the lowest domain switch for the multicast tree computation, follow these steps:

	Command	Purpose
Step 1	switch# config t switch(config)#	Enters configuration mode.
Step 2	switch(config)# in-order-guarantee vsan 3452	Enables in-order delivery in VSAN 3452.
	switch(config)# no in-order-guarantee vsan 101	Reverts the switch to the factory defaults and disables the in-order delivery feature in VSAN 101.

Displaying the In-Order Delivery Status

Use the **show in-order-guarantee** command to display the present configuration status:

```
switch# show in-order-guarantee
global inorder delivery configuration:guaranteed
```

```
VSAN specific settings
vsan 1 inorder delivery:guaranteed
vsan 101 inorder delivery:not guaranteed
vsan 1000 inorder delivery:guaranteed
vsan 1001 inorder delivery:guaranteed
vsan 1682 inorder delivery:guaranteed
vsan 2001 inorder delivery:guaranteed
vsan 2009 inorder delivery:guaranteed
vsan 2456 inorder delivery:guaranteed
vsan 3277 inorder delivery:guaranteed
```


Send documentation comments to mdsfeedback-doc@cisco.com

```
vsan 3451 inorder delivery:guaranteed
vsan 3452 inorder delivery:guaranteed
```

Configuring the Drop Latency Time

You can change the default latency time for a network, a specified VSAN in a network, or for the entire switch.

To configure the network and the switch drop latency time, follow these steps:

	Command	Purpose
Step 1	switch# config t switch(config)#	Enters configuration mode.
Step 2	switch(config)# fcdroplateny network 5000	Configures network drop latency time to be 5000 msec for the network. The valid range is 0 to 60000 msec. The default is 2000 msec. Note The network drop latency must be computed as the sum of all switch latencies of the longest path in the network.
	switch(config)# fcdroplateny network 6000 vsan 3	Configures network drop latency time to be 6000 msec for VSAN 3.
	switch(config)# no fcdroplateny network 4500	Removes the current fcdroplateny network configuration (4500) and reverts the switch to the factory defaults.
Step 3	switch(config)# fcdroplateny switch 4000	Configures switch drop latency time to be 4000 msec for the switch. The valid range is 0 to 60000 msec. The default is 500 msec. Note The switch drop latency parameter should have the same value in all the switches in the network.
	switch(config)# no fcdroplateny switch 4500	Removes the current fcdroplateny switch configuration (4500) and reverts the switch to the factory defaults.

Displaying Latency Information

You can view the configured latency parameters using the **show fcdroplateny** command (see [Example 26-1](#)).

Example 26-1 *Displays Administrative Distance*

```
switch# show fcdroplateny
switch latency value:500 milliseconds
global network latency value:2000 milliseconds

VSAN specific network latency settings
vsan 1 network latency:5000 milliseconds
vsan 2 network latency:2000 milliseconds
vsan 103 network latency:2000 milliseconds
```

Send documentation comments to mdsfeedback-doc@cisco.com

```
vsan 460 network latency:500 milliseconds
```

Flow Statistics Configuration

Flow statistics count the ingress traffic in the aggregated statistics table. You can collect two kinds of statistics:

- Aggregated flow statistics to count the traffic for a VSAN.
- Flow statistics to count the traffic for a source and destination ID pair in a VSAN.

This section includes the following topics:

- [About Flow Statistics, page 26-18](#)
- [Counting Aggregated Flow Statistics, page 26-18](#)
- [Counting Individual Flow Statistics, page 26-19](#)
- [Clearing FIB Statistics, page 26-19](#)
- [Displaying Global FSPF Information, page 26-20](#)

About Flow Statistics

If you enable flow counters, you can enable a maximum of 1 K entries for aggregate flow and flow statistics for Generation 1 modules, and 2 K entries for Generation 2 modules. Be sure to assign an unused flow index to a module for each new flow. Flow indexes can be repeated across modules. The number space for flow index is shared between the aggregate flow statistics and the flow statistics.

Generation 1 modules allow a maximum of 1024 flow statements per module. Generation 2 modules allow a maximum of 2048-128 flow statements per module.

Counting Aggregated Flow Statistics

To count the aggregated flow statistics for a VSAN, follow these steps:

	Command	Purpose
Step 1	switch# config t switch(config)#	Enters configuration mode.
Step 2	switch(config)# fcflow stats aggregated module 1 index 1005 vsan 1 switch(config)#	Enables the aggregated flow counter.
	switch(config)# no fcflow stats aggregated module 1 index 1005 vsan 1 switch(config)#	Disables the aggregated flow counter.

[Send documentation comments to mdsfeedback-doc@cisco.com](mailto:mdsfeedback-doc@cisco.com)

Counting Individual Flow Statistics

To count the flow statistics for a source and destination FC ID in a VSAN, follow these steps:

	Command	Purpose
Step 1	switch# config t switch(config)#	Enters configuration mode.
Step 2	switch(config)# fcflow stats module 1 index 1 0x145601 0x5601ff 0xffffffff vsan 1 switch(config)#	Enables the flow counter. Note The source ID and the destination ID are specified in FC ID hex format (for example, 0x123aff). The mask can be one of 0xff0000 or 0xffffffff.
	switch(config)# no fcflow stats aggregated module 2 index 1001 vsan 2 switch(config)#	Disables the flow counter.

Clearing FIB Statistics

Use the **clear fcflow stats** command to clear the aggregated flow counter (see Examples 26-2 and 26-3).

Example 26-2 Clears Aggregated Flow Counters

```
switch# clear fcflow stats aggregated module 2 index 1
```

Example 26-3 Clears Flow Counters for Source and Destination FC IDs

```
switch# clear fcflow stats module 2 index 1
```

Displaying Flow Statistics

Use the **show fcflow stats** commands to view flow statistics (see Example 26-4 to 26-6).

Example 26-4 Displays Aggregated Flow Details for the Specified Module

```
switch# show fcflow stats aggregated module 2
Idx VSAN # frames # bytes
-----
0000 4      387,653  674,235,875
0001 6      34,402    2,896,628
```

Example 26-5 Displays Flow Details for the Specified Module

```
switch# show fcflow stats module 2
Idx VSAN D ID          S ID          mask          # frames # bytes
-----
0000 4      032.001.002 007.081.012 ff.ff.ff      387,653  674,235,875
0001 6      004.002.001 019.002.004 ff.00.00     34,402    2,896,628
```

Send documentation comments to mdsfeedback-doc@cisco.com

Example 26-6 Displays Flow Index Usage for the Specified Module

```
switch# show fcflow stats usage module 2
2 flows configured
configured flow : 3,7
```

Displaying Global FSPF Information

Example 26-7 displays global FSPF information for a specific VSAN:

- Domain number of the switch.
- Autonomous region for the switch.
- Min_LS_arrival: minimum time that must elapse before the switch accepts LSR updates.
- Min_LS_interval: minimum time that must elapse before the switch can transmit an LSR.



Tip If the Min_LS_interval is higher than 10 seconds, the graceful shutdown feature is not implemented.

- LS_refresh_time: interval time lapse between refresh LSR transmissions.
- Max_age: maximum time aa LSR can stay before being deleted.

Example 26-7 Displays FSPF Information for a Specified VSAN

```
switch# show fspf vsan 1
FSPF routing for VSAN 1
FSPF routing administration status is enabled
FSPF routing operational status is UP
It is an intra-domain router
Autonomous region is 0
SPF hold time is 0 msec
MinLsArrival = 1000 msec , MinLsInterval = 5000 msec
Local Domain is 0x65(101)
Number of LSRs = 3, Total Checksum = 0x0001288b

Protocol constants :
  LS_REFRESH_TIME = 1800 sec
  MAX_AGE         = 3600 sec

Statistics counters :
  Number of LSR that reached MaxAge = 0
  Number of SPF computations         = 7
  Number of Checksum Errors          = 0
  Number of Transmitted packets :   LSU 65 LSA 55 Hello 474 Retranmsitted LSU 0
  Number of received packets :     LSU 55 LSA 60 Hello 464 Error packets 10
```

Displaying the FSPF Database

Example 26-8 displays a summary of the FSPF database for a specified VSAN. If other parameters are not specified, all LSRs in the database are displayed:

- LSR type

Send documentation comments to mdsfeedback-doc@cisco.com

- Domain ID of the LSR owner
- Domain ID of the advertising router
- LSR age
- LSR incarnation member
- Number of links

You could narrow the display to obtain specific information by issuing additional parameters for the domain ID of the LSR owner. For each interface, the following information is also available:

- Domain ID of the neighboring switch
- E port index
- Port index of the neighboring switch
- Link type and cost

Example 26-8 Displays FSPF Database Information

```
switch# show fspf database vsan 1
```

```
FSPF Link State Database for VSAN 1 Domain 0x0c(12)
```

```
LSR Type = 1
Advertising domain ID = 0x0c(12)
LSR Age = 1686
LSR Incarnation number = 0x80000024
LSR Checksum = 0x3caf
Number of links = 2
```

NbrDomainId	IfIndex	NbrIfIndex	Link Type	Cost
0x65(101)	0x0000100e	0x00001081	1	500
0x65(101)	0x0000100f	0x00001080	1	500

```
FSPF Link State Database for VSAN 1 Domain 0x65(101)
```

```
LSR Type = 1
Advertising domain ID = 0x65(101)
LSR Age = 1685
LSR Incarnation number = 0x80000028
LSR Checksum = 0x8443
Number of links = 6
```

NbrDomainId	IfIndex	NbrIfIndex	Link Type	Cost
0xc3(195)	0x00001085	0x00001095	1	500
0xc3(195)	0x00001086	0x00001096	1	500
0xc3(195)	0x00001087	0x00001097	1	500
0xc3(195)	0x00001084	0x00001094	1	500
0x0c(12)	0x00001081	0x0000100e	1	500
0x0c(12)	0x00001080	0x0000100f	1	500

```
FSPF Link State Database for VSAN 1 Domain 0xc3(195)
```

```
LSR Type = 1
Advertising domain ID = 0xc3(195)
LSR Age = 1686
LSR Incarnation number = 0x80000033
LSR Checksum = 0x6799
Number of links = 4
```

NbrDomainId	IfIndex	NbrIfIndex	Link Type	Cost
0x65(101)	0x00001095	0x00001085	1	500
0x65(101)	0x00001096	0x00001086	1	500
0x65(101)	0x00001097	0x00001087	1	500

Send documentation comments to mdsfeedback-doc@cisco.com

0x65 (101) 0x00001094 0x00001084 1 500

Displaying FSPF Interfaces

Example 26-9 displays the following information for each selected interface.

- Link cost
- Timer values
- Neighbor's domain ID (if known)
- Local interface number
- Remote interface number (if known)
- FSPF state of the interface
- Interface counters

Example 26-9 Displays FSPF Interface Information

```
switch# show fspf vsan 1 interface fc1/1
FSPF interface fc1/1 in VSAN 1
FSPF routing administrative state is active
Interface cost is 500
Timer intervals configured, Hello 20 s, Dead 80 s, Retransmit 5 s
FSPF State is FULL
Neighbor Domain Id is 0x0c(12), Neighbor Interface index is 0x0f100000
Statistics counters :
  Number of packets received : LSU 8 LSA 8 Hello 118 Error packets 0
  Number of packets transmitted : LSU 8 LSA 8 Hello 119 Retransmitted LSU 0
  Number of times inactivity timer expired for the interface = 0
```

Default Settings

Table 26-4 lists the default settings for FSPF features.

Table 26-4 Default FSPF Settings

Parameters	Default
FSPF	Enabled on all E ports and TE ports.
SPF computation	Dynamic.
SPF hold time	0.
Backbone region	0.
Acknowledgment interval (RxmtInterval)	5 seconds.
Refresh time (LSRefreshTime)	30 minutes.
Maximum age (MaxAge)	60 minutes.
Hello interval	20 seconds.
Dead interval	80 seconds.
Distribution tree information	Derived from the principal switch (root node).

Send documentation comments to mdsfeedback-doc@cisco.com

Table 26-4 *Default FSPF Settings (continued)*

Parameters	Default
Routing table	FSPF stores up to 16 equal cost paths to a given destination.
Load balancing	Based on destination ID and source ID on different, equal cost paths.
In-order delivery	Disabled.
Drop latency	Disabled.
Static route cost	If the cost (metric) of the route is not specified, the default is 10.
Remote destination switch	If the remote destination switch is not specified, the default is direct.
Multicast routing	Uses the principal switch to compute the multicast tree.

Send documentation comments to mdsfeedback-doc@cisco.com