



## Cable and Port Specifications

---

This appendix includes information about the cables and connectors used with the Cisco MDS 9148T Multilayer Fabric Switch.



---

**Caution** We strongly recommend that power cable runs and other potential noise sources be located as far away as practical from network cabling that terminates at Cisco equipment. In situations where long parallel cable runs exist, but cannot be separated by at least 3.3 ft. (1 m), we recommend that you shield these potential noise sources. To avoid interference, the source should be shielded by housing it in a grounded metallic conduit.

---

- [Cables and Adapters, on page 1](#)
- [Console Port, on page 2](#)
- [Out of Band Ethernet Management Port, on page 3](#)
- [Supported Power Cords and Plugs, on page 5](#)

## Cables and Adapters

The Accessory kit includes the following:

- RJ-45-to-RJ-45 rollover cable
- RJ-45-to-DB-9 female DTE adapter (labeled Terminal)
- RJ-45-to-DB-25 female DTE adapter (labeled Terminal)
- RJ-45-to-DB-25 male DCE adapter (labeled Modem)



---

**Note** Additional cables and adapters can be ordered from your customer service representative.

---



---

**Note** If you purchased this product through a Cisco reseller, contact the reseller directly for technical support. If you purchased this product directly from Cisco, contact Cisco Technical Support at <http://www.cisco.com/c/en/us/support/index.html>.

---

# Console Port

The console port is an asynchronous RS-232 serial port with an RJ-45 connector. You can use the RJ-45-to-RJ-45 rollover cable and the RJ-45-to-DB-9 female adapter or the RJ-45-to-DB-25 female DTE adapter (depending on your computer serial port) to connect the console port to a computer running terminal emulation software.

## Console Port Pinouts

The following table lists the pinouts for the console port on the switch:

**Table 1: Console Port Pinouts**

Pin	Signal
1 <sup>1</sup>	RTS
2	DTR
3	TxD
4	GND
5	GND
6	RxD
7	DSR
8	CTS

1. Pin 1 is connected internally to pin 8.

## Connecting the Console Port to a Computer Using the DB-25 Adapter

You can use the RJ-45-to-RJ-45 rollover cable and the RJ-45-to-DB-25 female DTE adapter (labeled Terminal) to connect the console port to a computer running terminal emulation software. The following table lists the pinouts for the console port, the RJ-45-to-RJ-45 rollover cable, and the RJ-45-to-DB-25 female DTE adapter:

**Table 2: Port-Mode Signaling and Pinouts with DB-25 Adapter**

Console Port	RJ-45-to-RJ-45 Rollover Cable		RJ-45-to-DB-25 Terminal Adapter	Console Device
	RJ-45 Pin	RJ-45 Pin	DB-25 Pin	Signal
RTS	1	8	5	CTS
DTR	2	7	6	DSR
TxD	3	6	3	RxD

Console Port	RJ-45-to-RJ-45 Rollover Cable		RJ-45-to-DB-25 Terminal Adapter	Console Device
GND	4	5	7	GND
GND	5	4	7	GND
RxD	6	3	2	TxD
DSR	7	2	20	DTR
CTS	8	1	4	RTS

## Connecting the Console Port to a Computer Using the DB-9 Adapter

You can use the RJ-45-to-RJ-45 rollover cable and RJ-45-to-DB-9 female DTE adapter (labeled Terminal) to connect the console port to a computer running terminal emulation software. The following table lists the pinouts for the console port, the RJ-45-to-RJ-45 rollover cable, and the RJ-45-to-DB-9 female DTE adapter:

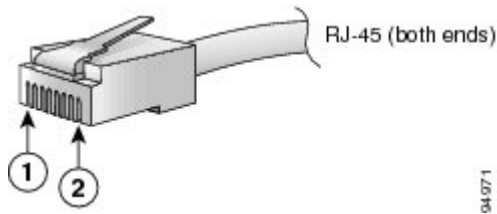
**Table 3: Port-Mode Signaling and Pinouts with DB-9 Adapter**

Console Port	RJ-45-to-RJ-45 Rollover Cable		RJ-45-to-DB-9 Terminal Adapter	Console Device
Signal	RJ-45 Pin	RJ-45 Pin	DB-9 Pin	Signal
RTS	1	8	8	CTS
DTR	2	7	6	DSR
TxD	3	6	2	RxD
GND	4	5	5	GND
GND	5	4	5	GND
RxD	6	3	3	TxD
DSR	7	2	4	DTR
CTS	8	1	7	RTS

## Out of Band Ethernet Management Port

Use a modular, RJ-45, straight-through UTP cable to connect the 10/100/1000 management Ethernet port to external hubs and switches.

Figure 1: RJ-45 Interface Cable Connector



1. Pin	2. Pin
1	8

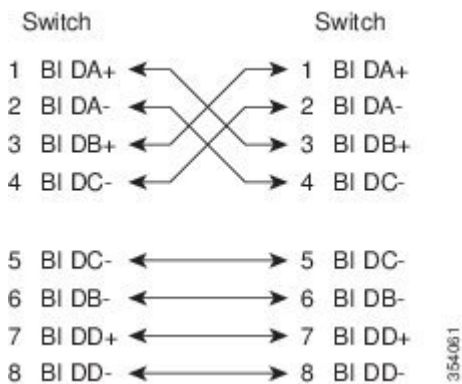
The following table lists the connector pinouts and signal names for a 10/100/1000BASE-T management port (MDI) cable.

Table 4: 10/100/1000 BASE-T Management Port Cable Pinout

Pin	Signal
1	BI DA+
2	BI DA-
3	BI DB+
4	BI DC+
5	BI DC-
6	BI DB-
7	BI DD+
8	BI DD-

The following figure shows a schematic representation of the 10/100/1000 BASE-T cable:

Figure 2: Twisted-Pair 10/100/1000 BASE-T Cable



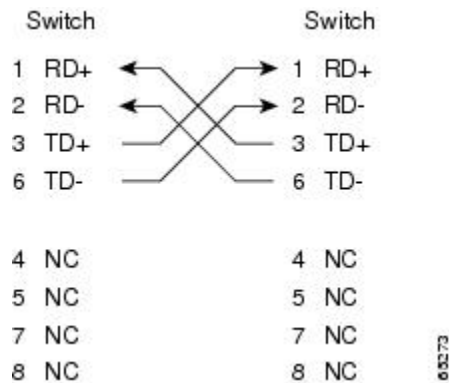
The following table lists the connector pinouts and signal names for a 10/100 BASE-T management port (MDI) cable:

Table 5: 10/100 BASE-T Management Port Cable Pinout

Pin	Signal
1	TD+
2	TD-
3	RD+
4	RD-
5	Not used
6	Not used
7	Not used
8	Not used

The following figure shows a schematic of the 10/100 BASE-T cable:

Figure 3: Twisted-Pair 10/100 BASE-T Cable Schematic



## Supported Power Cords and Plugs

Each switch power supply unit requires one power cord. Cisco approved cords may be ordered with the product. Standard power cords with a country specific plug can be used with wall outlets. Jumper power cords can be used with cabinet outlets. The user may also source their own power cords for the product, as long as they meet the power cord specifications for this product.



**Note** Only the standard power cords or jumper power cords ordered from Cisco are supported.

**Caution**

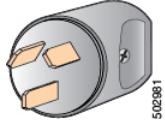
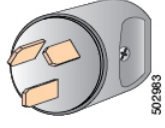
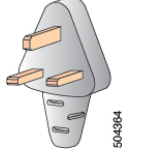
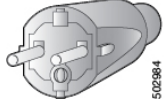
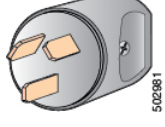
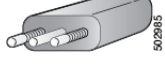
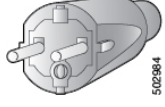
If you do not order a power cord with the system, you are responsible for selecting the appropriate power cord for the product. Using a noncompatible power cord with this product may result in electrical safety hazard. Orders delivered to Argentina, Brazil, and Japan must have the appropriate power cord ordered with the system.




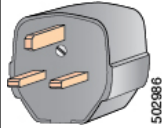
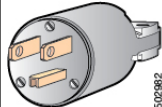

## Standard Power Cords

Cisco standard power cords for the switch have an IEC C15 connector on the outlet end of the cord and a country specific plug on the inlet end of the cord.

The following table lists the supported power cords and power plugs for the switch:

**Table 6: Supported Power Cords and Power Plugs**

Locale	Power Cord Part Number	Source Plug Type	Length	Power Plug Reference Illustration
Argentina	CAB-9K10A-AR	IRAM 2073 plug (10 A)	8.2 ft (2.5 m)	 502981
Australia	CAB-9K10A-AU	SAA/3 plug, AS 3112-1993 (10 A)	8.2 ft (2.5 m)	 502983
China	CAB-9K10A-CH	GB1002 (10A)	8.2 ft (2.5 m)	 504394
Europe	CAB-9K10A-EU	VIIG Plug, CEE (7) VII (16 A)	8.2 ft (2.5 m)	 502984
Israel	CAB-9K10A-ISR	SI 32 Part 1.01 (16A)	14 ft (4.27 m)	 502981
Italy	CAB-9K10A-IT	1/3G plug, CEI 23-16 (10 A)	8.2 ft (2.5 m)	 502985
Korea	CAB-9K10A-KOR	CEE 7 Standard Sheet VII (16A)	8.2 ft (2.5 m)	 502984

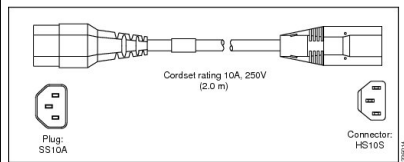
Locale	Power Cord Part Number	Source Plug Type	Length	Power Plug Reference Illustration
South Africa	CAB-9K10A-SA	EL 208, SABS 164-1 (10 A)	5.12 ft (1.82 m)	
Switzerland	CAB-9K10A-SW	12G SEV 1011 (10 A)	8.2 ft (2.5 m)	
Taiwan	CAB-9K10A-TWN	CNS 10917-2 & CNS 690 (15A)	13.12 ft (4 m)	
United Kingdom	CAB-9K10A-UK	BS89/13, BS 1363/A (13 A; replaceable fuse)	8.2 ft (2.5 m)	
North America	CAB-9K12A-NA	NEMA 5-15P plug (15 A)	8.2 ft (2.5 m)	
Brazil	CAB-250V-10A-BR	NBR 14136 (10A)	7 ft (2.13 m)	

## Jumper Power Cords

Jumper power cords have an IEC C15 connector on the outlet end of the cord and an IEC C14 connector on the inlet end of the cord. This cord is compatible with IEC C13 outlet receptacles. This type of outlet receptacle is commonly used for power distribution inside cabinets.

The following table lists the supported jumper power cords and power plugs for the switch.

**Table 7: Supported Jumper Power Cords**

Description	Plug Type	Length	Illustration
CAB-C13-C14-2M	IEC C14 (250 VAC 10 A)	6.6 ft (2.0 m)	

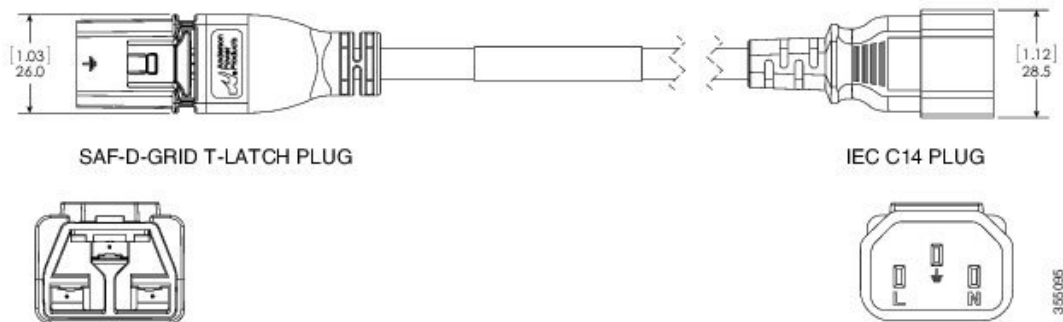
Description	Plug Type	Length	Illustration
CAB-C13-C14-3M	IEC C14 (250 VAC 10 A)	9.8 ft (3.0 m)	

## HVAC/HVDC Power Cord

*Table 8: Power Cable Specifications for HVAC/HVDC Power Supplies*

Power Type	Power Cord	Description
HVAC	CAB-HVAC-C14-2M	6.6 feet (2.0 m) cable with Saf-D-Grid and C14 connector (use for up to 240 V)

The following figure shows the power cord used with the 1.20-KW HVAC/HVDC Power Supply Unit:



## Fibre Cable Specifications

For information on the fibre cable specifications, see the [Cisco MDS 9000 Family Pluggable Transceivers Data Sheet](#).