



Configuring Policy-Based Redirect

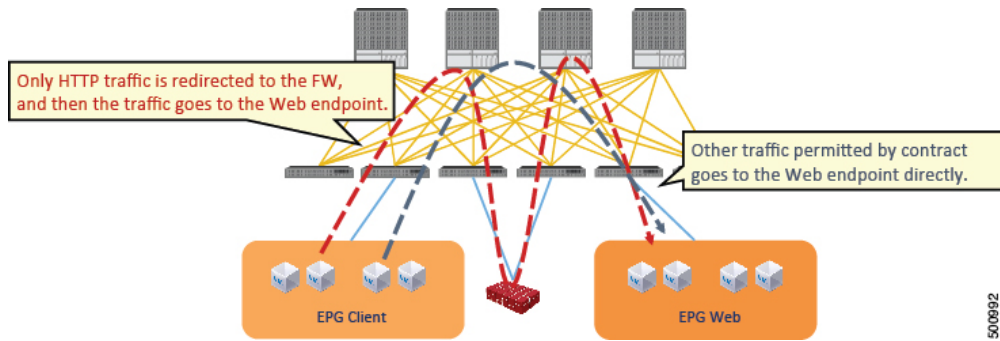
- [About Policy-Based Redirect, on page 1](#)
- [About Multi-Node Policy-Based Redirect, on page 14](#)
- [About Symmetric Policy-Based Redirect, on page 14](#)
- [Policy Based Redirect and Hashing Algorithms, on page 15](#)
- [Policy-Based Redirect Resilient Hashing, on page 15](#)
- [About PBR Backup Policy, on page 17](#)
- [About the Bypass Action, on page 20](#)
- [About Policy-Based Redirect with L3Out, on page 24](#)
- [PBR Support for Service Nodes in Consumer and Provider Bridge Domains , on page 27](#)
- [About Layer 1/ Layer 2 Policy-Based Redirect, on page 28](#)
- [Guidelines and Limitations for Layer 1/ Layer 2 Policy-Based Redirect, on page 30](#)
- [Configuring Layer 1/ Layer 2 PBR Using the APIC GUI, on page 31](#)
- [Configuring ASA for Layer 1/ Layer 2 PBR Using CLI, on page 32](#)
- [Verifying Layer 1/ Layer 2 PBR Policy On The Leafs Using CLI, on page 33](#)
- [Configuring Layer 1/ Layer 2 PBR Using the REST API, on page 34](#)
- [Policy-Based Redirect and Tracking Service Nodes, on page 35](#)
- [About Location-Aware Policy Based Redirect, on page 39](#)
- [Policy-Based Redirect and Service Graphs to Redirect All EPG-to-EPG Traffic Within the Same VRF Instance, on page 42](#)

About Policy-Based Redirect

Cisco Application Centric Infrastructure (ACI) policy-based redirect (PBR) enables provisioning service appliances, such as firewalls or load balancers, as managed or unmanaged nodes without needing a Layer 4 to Layer 7 package. Typical use cases include provisioning service appliances that can be pooled, tailored to application profiles, scaled easily, and have reduced exposure to service outages. PBR simplifies the deployment of service appliances by enabling the provisioning consumer and provider endpoint groups to be all in the same virtual routing and forwarding (VRF) instance. PBR deployment consists of configuring a route redirect policy and a cluster redirect policy, and creating a service graph template that uses the route and cluster redirect policies. After the service graph template is deployed, use the service appliance by enabling endpoint groups to consume the service graph provider endpoint group. This can be further simplified and automated by using vzAny. While performance requirements may dictate provisioning dedicated service appliances, virtual service appliances can also be deployed easily using PBR.

The following figure illustrates the use case of redirecting specific traffic to the firewall:

Figure 1: Use Case: Redirecting Specific Traffic to the Firewall

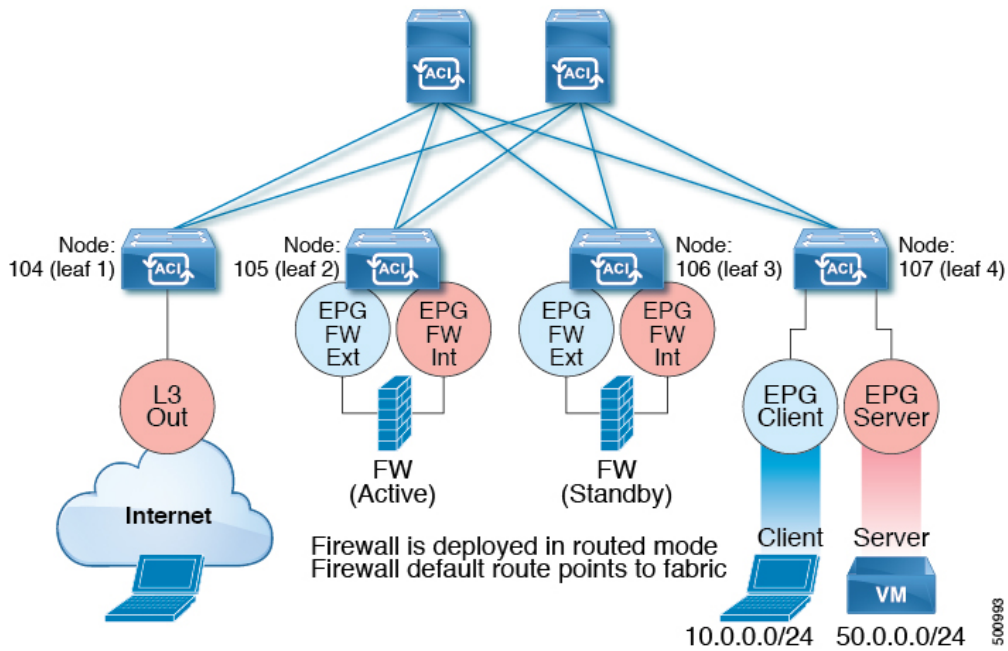


500992

In this use case, you must create two subjects. The first subject permits HTTP traffic, which then gets redirected to the firewall. After the traffic passes through the firewall, it goes to the Web endpoint. The second subject permits all traffic, which captures traffic that is not redirected by the first subject. This traffic goes directly to the Web endpoint.

The following figure illustrates a sample ACI PBR physical topology:

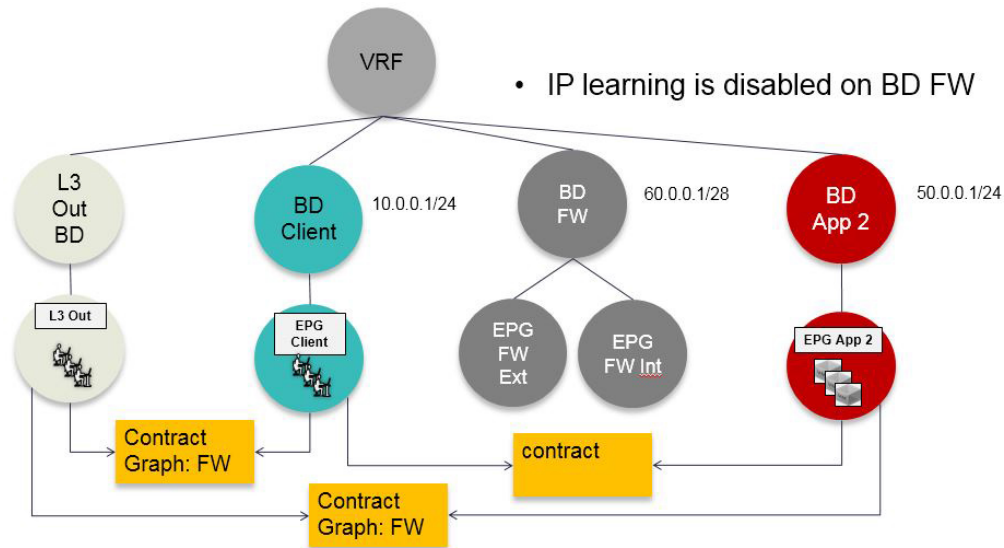
Figure 2: Sample ACI PBR Physical Topology



500993

The following figure illustrates a sample ACI PBR logical topology:

Figure 3: Sample ACI PBR Logical Topology



While these examples illustrate simple deployments, ACI PBR enables scaling up mixtures of both physical and virtual service appliances for multiple services, such as firewalls and server load balancers.

Guidelines and Limitations for Configuring Policy-Based Redirect

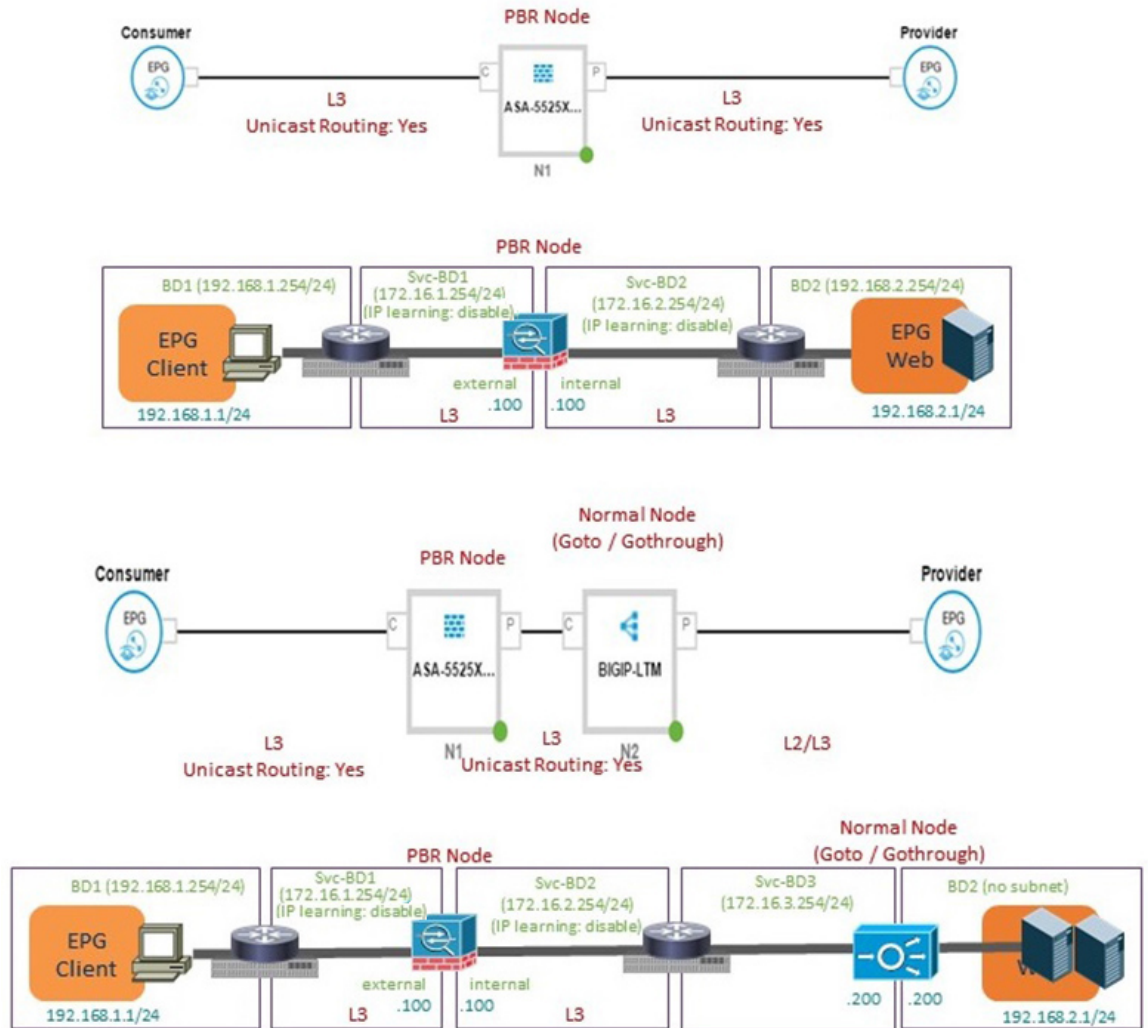
Observe the following guidelines and limitations when planning policy-based redirect service nodes:

- The source MAC address of the packet can be rewritten because of the need to route the packet with PBR inside the fabric. The time-to-live (TTL) field in the IP address header will be decremented by as many times as the packet is routed within the fabric.
- Choose the same action for both service legs. In other words, if you select the deny action for the internal service leg, you should also select the deny action for the external service leg.
- L3Out EPGs and regular EPGs can be consumer or provider EPGs.
- For a Cold Standby active/standby deployment, configure the service nodes with the MAC address of the active deployment. In a Cold Standby active/standby deployment, when the active node goes down, the standby node takes over the MAC address of active node.
- The next-hop service node IP address and virtual MAC address must be provided.
- The policy-based redirect bridge domain must have the endpoint dataplane learning disabled.
- Provision service appliances in a separate bridge domain. Beginning with the Cisco Application Policy Infrastructure Controller (Cisco APIC) release 3.1(1), it is not mandatory to provision service appliances in a separate bridge domain. To support this, Cisco Nexus 9300-EX and 9300-FX platform leaf switches are required.
- When downgrading from the Cisco APIC release 3.1 software, an internal code checks whether the policy-based redirect bridge domain uses the same bridge domain as a consumer or a provider. If it does, then the fault is disabled during the downgrade as such a configuration is not supported in earlier Cisco APIC versions.

- The service appliance, source, and bridge domain can be in the same VRF instance.
- For Cisco N9K-93128TX, N9K-9396PX, N9K-9396TX, N9K-9372PX, and N9K-9372TX switches, the service appliance must not be in the same leaf switch as either the source or destination endpoint group. For Cisco N9K-C93180YC-EX and N9K-93108TC-EX switches, the service appliance can be in the same leaf switch as either the source or destination endpoint group.
- The service appliance can only be in a regular bridge domain.
- The contract offered by the service appliance provider endpoint group can be configured to `allow-all`, but traffic should be routed by the Cisco Application Centric Infrastructure (Cisco ACI) fabric.
- Beginning with the Cisco APIC release 3.1(1), if you use the Cisco Nexus 9300-EX and 9300-FX platform leaf switches, it is not necessary for you to have the endpoint dataplane learning disabled on policy-based redirect bridge domains. During service graph deployment, the endpoint dataplane learning will be automatically disabled only for policy-based redirect node EPG. If you use non-EX and non-FX platform leaf switches, you must have the endpoint dataplane learning disabled on policy-based redirect bridge domains. The policy-based redirect bridge domain must have the endpoint dataplane learning disabled.
- Beginning with the Cisco APIC release 4.0(1), you can attach a service graph with PBR to a contract subject. The intra-EPG contract with the service graph cannot be used as an inter-EPG contract at the same time. You must use a separate contract for inter-EPG and intra-EPG communication when used with a service graph that has redirect enabled.
- Multi-node policy-based redirect (multi-node PBR):
 - Supports up to five nodes in a service graph that can be configured for policy-based redirect.
 - Multi-node PBR Layer 3 destination guidelines for load balancers:
 - Layer 3 destination upgrade: The Layer 3 destination (VIP) parameter is enabled by default after the upgrade. No issues will occur from this because if the PBR policy was not configured on a specific service node (pre-3.2(1)), the node connector was treated as an Layer 3 destination and will continue to be in the new Cisco APIC version.
 - Traffic does not always need to be destined to only consumer/provider.
 - In the forward direction, the traffic is destined to load balancer VIP address.
 - In the reverse direction, if SNAT is enabled, the traffic is destined to the load balancer's internal leg.
 - In both directions, enable (check) Layer 3 destination (VIP) on the Logical Interface Context.
 - Enable (check) Layer 3 destination (VIP) in both directions to allow you to switch from SNAT to No-SNAT on the load balancer internal by configuring the PBR policy on the internal side.
 - If SNAT is disabled:
 - Reverse direction traffic is destined to consumer but not to load balancer internal leg (enable PBR policy on the internal leg).
 - Layer 3 destination (VIP) is not applicable in this case because a PBR policy is applied.
- Multicast and broadcast traffic redirection is not supported.
- Redirection to transparent services is not supported.

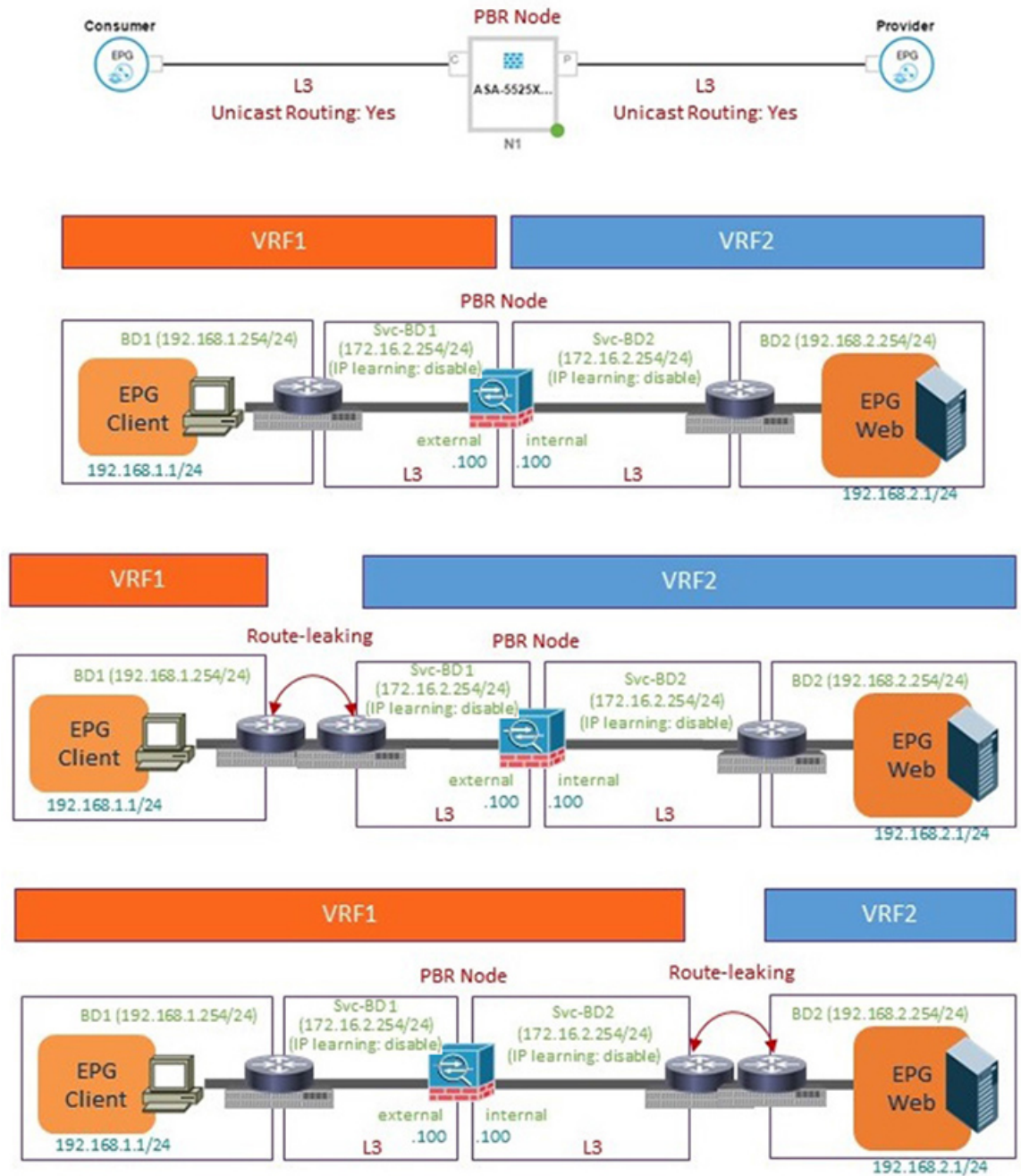
- If you change a redirect policy's destination to a different group, the Cisco APIC raises a fault due to the change and the policy's operational status becomes disabled. You must clear the fault to re-enable the policy.
- Supported policy-based redirect configurations in the same VRF instance include the following:

Figure 4: Supported Policy-based Redirect Configurations in the Same VRF Instance



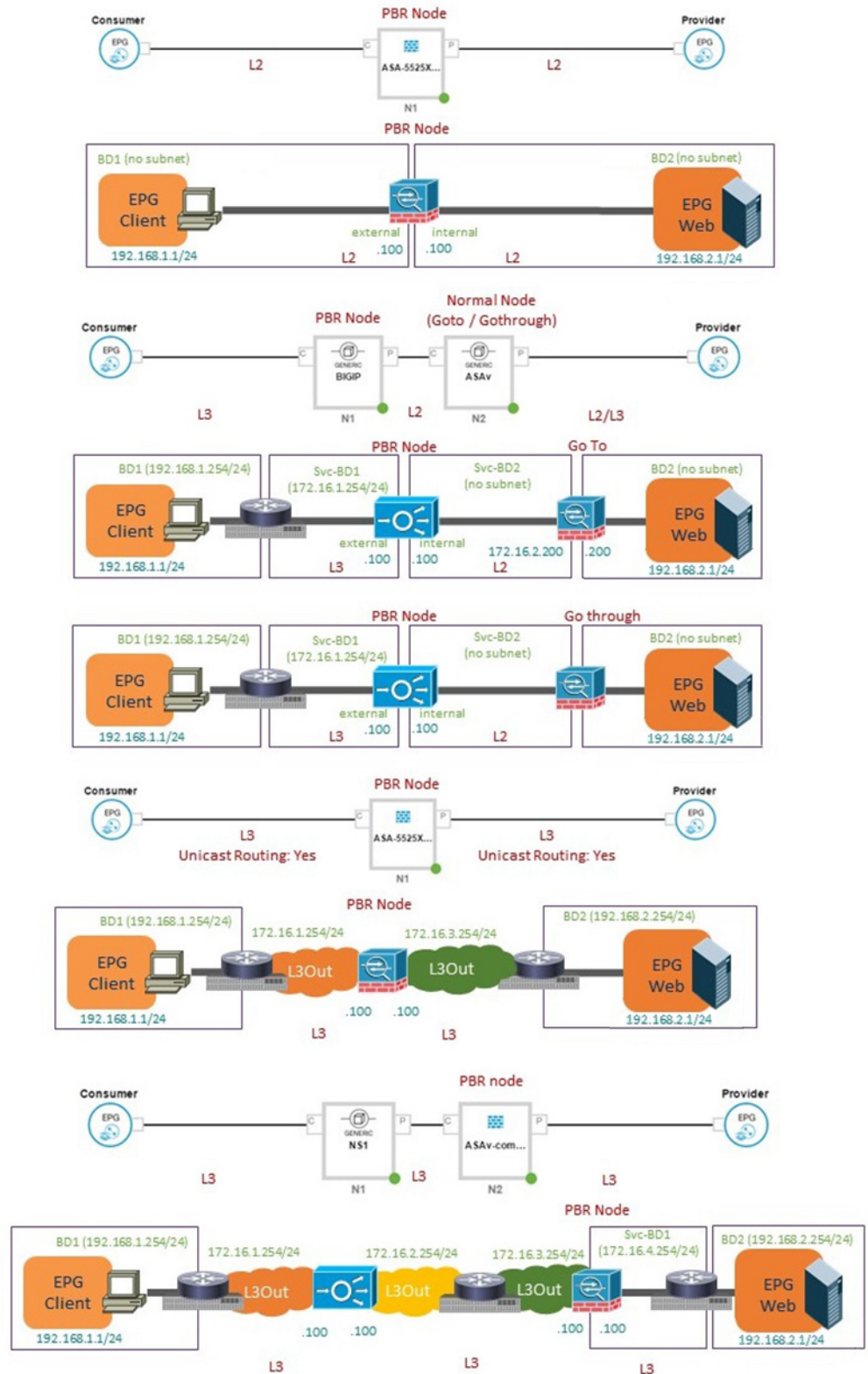
- Supported policy-based redirect configurations in a different VRF instance include the following:

Figure 5: Supported Policy-based Redirect Configurations in a Different VRF Instance



- Unsupported policy-based redirect configurations include the following:

Figure 6: Unsupported Policy-based Redirect Configurations



Configuring Policy-Based Redirect Using the GUI

The following procedure configures policy-based redirect (PBR) using the GUI.



Note The policy-based redirect feature is referred to as "policy-based routing" in the GUI.

- Step 1** On the menu bar, choose **Tenants > All Tenants**.
- Step 2** In the Work pane, double click the tenant's name.
- Step 3** In the Navigation pane, choose **Tenant *tenant_name* > Services > L4-L7 > Devices**.
- Step 4** In the Work pane, choose **Actions > Create L4-L7 Devices**.
- Step 5** In the **Create L4-L7 Devices** dialog box, complete the fields as required.

In the **General** section, the **Service Type** can be **Firewall** or **ADC**.

Note For L1/L2 PBR configuration, create the L4-L7 device in **Unmanaged** mode, and perform the following steps:

- a. Select the **Service Type** as **Other**.
- b. Select the **Device Type Physical** (cloud/virtual is not supported).
- c. Select a physical domain.
- d. Select the **Function Type L1** or **L2** as required.
- e. Create external and internal concrete interfaces and port connectivity on the corresponding leafs.
- f. Create Cluster interfaces by selecting the previously created concrete interfaces (leave VLAN encapsulation blank for dynamic assignments).

Note For static VLAN configuration, ensure external and internal legs have a different VLAN for L2, otherwise it is the same VLAN for L1.

- Step 6** In the Navigation pane, choose **Tenant *tenant_name* > Services > L4-L7 > Service Graph Templates**.
- Step 7** In the Work pane, choose **Action > Create L4-L7 Service Graph Template**.
- Step 8** In the **Create L4-L7 Service Graph Template** dialog box, perform the following actions:
- a) In the **Graph Name** field, enter a name for the service graph template.
 - b) For the **Graph Type** radio buttons, click **Create A New Graph**.
 - c) Drag and drop the device that you created from the **Device Clusters** pane to between the consumer endpoint group and provider endpoint group. This creates the service node.

As of APIC Release 4.2(1), you can optionally repeat step c to include up to five (5) service node devices supporting PBR.
 - d) Select the following based on the service type of the device:
For Firewall, select **Routed** and continue with the steps below.
For ADC, select **One-Arm** or **Two-Arm** and continue with the steps below.

- e) In the **Profile** drop-down list, select a function profile appropriate to the device. If no profiles exist, create one by following the instruction in the [Creating a Function Profile Using the GUI](#).
- f) Select the **Route Redirect** checkbox.
- g) Click **Submit**.

The new service graph template appears in the Service Graph Templates table.

Step 9 In the Navigation pane, choose **Tenant** *tenant_name* > **Policies** > **Protocol** > **L4-L7 Policy Based Redirect**.

Step 10 In the Work pane, choose **Action** > **Create L4-L7 Policy Based Redirect**.

Step 11 In the **Create L4-L7 Policy Based Redirect** dialog box, complete the fields as required. This policy-based redirect policy is for the consumer connector.

Step 12 Create another policy-based redirect policy for the provider connector.

Step 13 In the Navigation pane, choose **Tenant** *tenant_name* > **Services** > **L4-L7** > **Service Graph Templates** > *service_graph_template_name* .

Choose the service graph template that you just created.

Step 14 Right click the service graph template and choose **Apply L4-L7 Service Graph Template**.

Step 15 In the **Apply L4-L7 Service Graph Template to EPGs** dialog box, perform the following actions:

- a) In the **Consumer EPG/External Network** drop-down list, choose the consumer endpoint group.
- b) In the **Provider EPG/External Network** drop-down list, choose the provider endpoint group.
- c) For the **Contract** radio buttons, click **Create A New Contract**.
- d) In the **Contract Name** field, enter a name for the contract.
- e) Do not put a check in the **No Filter (Allow All Traffic)** check box.
- f) On the **Filter Entries** table, click + to add an entry.
- g) For the new filter entry, enter "IP" for the name, choose **IP** for the **Ether Type**, and click **Update**.
- h) Click **Next**.
- i) For the Consumer Connector **BD** drop-down list, choose the external bridge domain that connects to the consumer endpoint group. Select **No** for **IP Data-plane Learning**.
- j) For the Consumer Connector **Redirect Policy** drop-down list, choose the redirect policy that you created for the consumer connector.
- k) For the Consumer Connector **Cluster Interface** drop-down list, choose the consumer cluster interface.
- l) For the Provider Connector **BD** drop-down list, choose the internal bridge domain that connects to the provider endpoint group. Select **No** for **IP Data-plane Learning**.
- m) For the Provider Connector **Redirect Policy** drop-down list, choose the redirect policy that you created for the provider connector.
- n) For the Provider Connector **Cluster Interface** drop-down list, choose the provider cluster interface.
- o) Click **Next**.
- p) Configure the parameters as necessary for the device.
- q) Click **Finish**.

Configuring Policy-Based Redirect Using the NX-OS-Style CLI

The example commands in this procedure include the route redirect, the cluster redirect, and the graph deployment. The device is created under tenant T1. The device is a Cisco ASA virtual device in managed mode; only unmanaged mode devices can be configured using the CLI.

Step 1 Create the device cluster.**Example:**

```

1417 cluster name ifav-asa-vm-ha type virtual vlan-domain ACIVswitch service FW function go-to
cluster-device Device2 vcenter ifav108-vcenter vm "ASAv_HA1"
cluster-device Device1 vcenter ifav108-vcenter vm "ASAv_HA"
cluster-interface provider
  member device Device1 device-interface GigabitEthernet0/1
    interface ethernet 1/45 leaf 102
    vnic "Network adapter 3"
    exit
  member device Device2 device-interface GigabitEthernet0/1
    interface ethernet 1/45 leaf 102
    vnic "Network adapter 3"
    exit
  exit
cluster-interface failover_link
  member device Device1 device-interface GigabitEthernet0/8
    interface ethernet 1/45 leaf 102
    vnic "Network adapter 10"
    exit
  member device Device2 device-interface GigabitEthernet0/8
    interface ethernet 1/45 leaf 102
    vnic "Network adapter 10"
    exit
  exit
cluster-interface consumer
  member device Device1 device-interface GigabitEthernet0/0
    interface ethernet 1/45 leaf 102
    vnic "Network adapter 2"
    exit
  member device Device2 device-interface GigabitEthernet0/0
    interface ethernet 1/45 leaf 102
    vnic "Network adapter 2"
    exit
  exit
exit
exit

```

Step 2 Under tenant PBRv6_ASA_HA_Mode, deploy the PBR service graph instance.**Example:**

```

tenant PBRv6_ASA_HA_Mode
  access-list Contract_PBRv6_ASA_HA_Mode_Filter
  match ip
  exit

```

Step 3 Create a contract for PBR with the filter match IP protocol. Under the subject, specify the Layer 4 to Layer 7 service graph name.

The contract offered by the service appliance provider endpoint group cannot be configured with the `allow-all` setting.

Example:

```

contract Contract_PBRv6_ASA_HA_Mode
  scope tenant
  subject Subject
    access-group Contract_PBRv6_ASA_HA_Mode_Filter both
    1417 graph PBRv6_ASA_HA_Mode_Graph
    exit
  exit
vrf context CTX1

```

```

exit
vrf context CTX2
exit

```

Step 4 Create a bridge domain for the client and server endpoint group. Both the client and server are in the same VRF instance.

Example:

```

bridge-domain BD1
arp flooding
l2-unknown-unicast flood
vrf member CTX1
exit
bridge-domain BD2
arp flooding
l2-unknown-unicast flood
vrf member CTX1
exit

```

Step 5 Create a separate bridge domain for the external and internal leg of the firewall.

PBR requires the learning of the source VTEP on remote leaf switches to be disabled, which is done using the **no ip learning** command.

Example:

```

bridge-domain External-BD3
arp flooding
no ip learning
l2-unknown-unicast flood
vrf member CTX1
exit
bridge-domain Internal-BD4
arp flooding
no ip learning
l2-unknown-unicast flood
vrf member CTX1
exit

```

Step 6 Create the application profile and specify the endpoint groups.

Example:

```

application AP1
epg ClientEPG
bridge-domain member BD1
contract consumer Contract_PBRv6_ASA_HA_Mode
exit
epg ServerEPG
bridge-domain member BD2
contract provider Contract_PBRv6_ASA_HA_Mode
exit
exit

```

Step 7 Specify the default gateway for the bridge domains.

Example:

```

interface bridge-domain BD1
ipv6 address 89:1:1:1::64/64
exit
interface bridge-domain BD2
ipv6 address 99:1:1:1::64/64
exit

interface bridge-domain External-BD3

```

```

    ipv6 address 10:1:1:1::64/64
    exit
  interface bridge-domain Internal-BD4
    ipv6 address 20:1:1:1::64/64
    exit

```

Step 8 Import the device from tenant T1.

Example:

```
1417 cluster import-from T1 device-cluster ifav-asa-vm-ha
```

Step 9 Create the service graph using the service redirect policy.

Example:

```

1417 graph PBRv6_ASA_HA_Mode_Graph contract Contract_PBRv6_ASA_HA_Mode
    service N2 device-cluster-tenant T1 device-cluster ifav-asa-vm-ha mode FW_ROUTED svcredirect
enable
  connector consumer cluster-interface consumer_PBRv6
    bridge-domain tenant PBRv6_ASA_HA_Mode name External-BD3
    svcredirect-pol tenant PBRv6_ASA_HA_Mode name External_leg
    exit
  connector provider cluster-interface provider_PBRv6
    bridge-domain tenant PBRv6_ASA_HA_Mode name Internal-BD4
    svcredirect-pol tenant PBRv6_ASA_HA_Mode name Internal_leg
    exit
  exit
  connection C1 terminal consumer service N2 connector consumer
  connection C2 terminal provider service N2 connector provider
  exit

```

Step 10 Create the service redirect policy for the external and internal legs. IPv6 addresses are used in this example; you can also specify IPv4 addresses using the same command.

Example:

```

svcredirect-pol Internal_leg
  redir-dest 20:1:1:1::1 00:00:AB:CD:00:11
  exit
svcredirect-pol External_leg
  redir-dest 10:1:1:1::1 00:00:AB:CD:00:09
  exit
exit

```

Verifying a Policy-Based Redirect Configuration Using the NX-OS-Style CLI

After you have configured policy-based redirect, you can verify the configuration using the NX-OS-style CLI.

Step 1 Show the running configuration of the tenant.

Example:

```

apic1# show running-config tenant PBRv6_ASA_HA_Mode svcredirect-pol
# Command: show running-config tenant PBRv6_ASA_HA_Mode svcredirect-pol
# Time: Wed May 25 00:57:22 2016
tenant PBRv6_ASA_HA_Mode
  svcredirect-pol Internal_leg
    redir-dest 20:1:1:1::1/32 00:00:AB:CD:00:11
  exit

```

```
svcredir-pol External_leg
  redir-dest 10:1:1:1::1/32 00:00:AB:CD:00:09
  exit
exit
```

Step 2 Show the running configuration of the tenant and its service graph.

Example:

```
apic1# show running-config tenant PBRv6_ASA_HA_Mode 1417 graph PBRv6_ASA_HA_Mode_Graph
# Command: show running-config tenant PBRv6_ASA_HA_Mode 1417 graph PBRv6_ASA_HA_Mode_Graph
# Time: Wed May 25 00:55:09 2016
tenant PBRv6_ASA_HA_Mode
  1417 graph PBRv6_ASA_HA_Mode_Graph contract Contract_PBRv6_ASA_HA_Mode
    service N2 device-cluster-tenant T1 device-cluster ifav-asa-vm-ha mode FW_ROUTED svcredir enable

    connector consumer cluster-interface consumer_PBRv6

      bridge-domain tenant PBRv6_ASA_HA_Mode name External-BD3

      svcredir-pol tenant PBRv6_ASA_HA_Mode name External_leg

    exit

    connector provider cluster-interface provider_PBRv6

      bridge-domain tenant PBRv6_ASA_HA_Mode name Internal-BD4
      svcredir-pol tenant PBRv6_ASA_HA_Mode name Internal_leg
    exit
  exit
  connection C1 terminal consumer service N2 connector consumer
  connection C2 terminal provider service N2 connector provider
  exit
exit
```

Step 3 Show the service graph configuration.

Example:

```
apic1# show 1417-graph graph PBRv6_ASA_HA_Mode_Graph
Graph          : PBRv6_ASA_HA_Mode-PBRv6_ASA_HA_Mode_Graph
Graph Instances : 1

Consumer EPg   : PBRv6_ASA_HA_Mode-ClientEPG
Provider EPg   : PBRv6_ASA_HA_Mode-ServerEPG
Contract Name  : PBRv6_ASA_HA_Mode-Contract_PBRv6_ASA_HA_Mode
Config status  : applied
Service Redirect : enabled

Function Node Name : N2
Connector  Encap   Bridge-Domain  Device Interface  Service Redirect Policy
-----
consumer   vlan-241  PBRv6_ASA_HA_Mode-External-BD3  consumer_PBRv6   External_leg
provider   vlan-105  PBRv6_ASA_HA_Mode-Internal-BD4  provider_PBRv6   Internal_leg
```

About Multi-Node Policy-Based Redirect

Multi-node policy-based redirect enhances PBR by supporting up to five nodes in a single service graph. You can configure which service node connector terminates the traffic and based on this configuration, the source and destination class IDs for the service chain are determined. In the multi-node PBR feature, policy-based redirection can be enabled on the consumer, provider, or both of the service node connectors. It can also be configured for the forward or reverse directions. If the PBR policy is configured on a service node connector, then that connector does not terminate traffic.

About Symmetric Policy-Based Redirect

Symmetric policy-based redirect (PBR) configurations enable provisioning a pool of service appliances so that the consumer and provider endpoint groups traffic is policy-based. The traffic is redirected to one of the service nodes in the pool, depending on the source and destination IP equal-cost multi-path routing (ECMP) prefix hashing.



Note Symmetric PBR configurations require 9300-EX hardware.

Sample symmetric PBR REST posts are listed below:

Under fvTenant svcCont

```
<vnsSvcRedirectPol name="LoadBalancer_pool">
  <vnsRedirectDest name="lb1" ip="1.1.1.1" mac="00:00:11:22:33:44"/>
  <vnsRedirectDest name="lb2" ip="2.2.2.2" mac="00:de:ad:be:ef:01"/>
  <vnsRedirectDest name="lb3" ip="3.3.3.3" mac="00:de:ad:be:ef:02"/>
</vnsSvcRedirectPol>

<vnsLIIfCtx name="external">
  <vnsRsSvcRedirectPol tnVnsSvcRedirectPolName="LoadBalancer_pool"/>
  <vnsRsLIIfCtxToBD tDn="uni/tn-solar/bd-fwBD">
</vnsLIIfCtx>

<vnsAbsNode name="FW" routingMode="redirect">
```

Sample symmetric PBR NX-OS-style CLI commands are listed below.

The following commands under the tenant scope create a service redirect policy:

```
apicl(config-tenant) # svcredir-pol fw-external
apicl(svcredir-pol) # redir-dest 2.2.2.2 00:11:22:33:44:56
```

The following commands enable PBR:

```
apicl(config-tenant) # 1417 graph FWOnly contract default
apicl(config-graph) # service FW svcredir enable
```

The following commands set the redirect policy under the device selection policy connector:

```
apicl(config-service) # connector external
apicl(config-connector) # svcredir-pol tenant solar name fw-external
```

Policy Based Redirect and Hashing Algorithms



Note This feature is available in the APIC Release 2.2(3x) release and going forward with APIC Release 3.1(1). It is not supported in APIC Release 3.0(x).

In Cisco APIC, Release 2.2(3x), Policy Based Redirect feature (PBR) supports the following hashing algorithms:

- Source IP address
- Destination IP address
- Source IP address, Destination IP address, and Protocol number (default configuration).

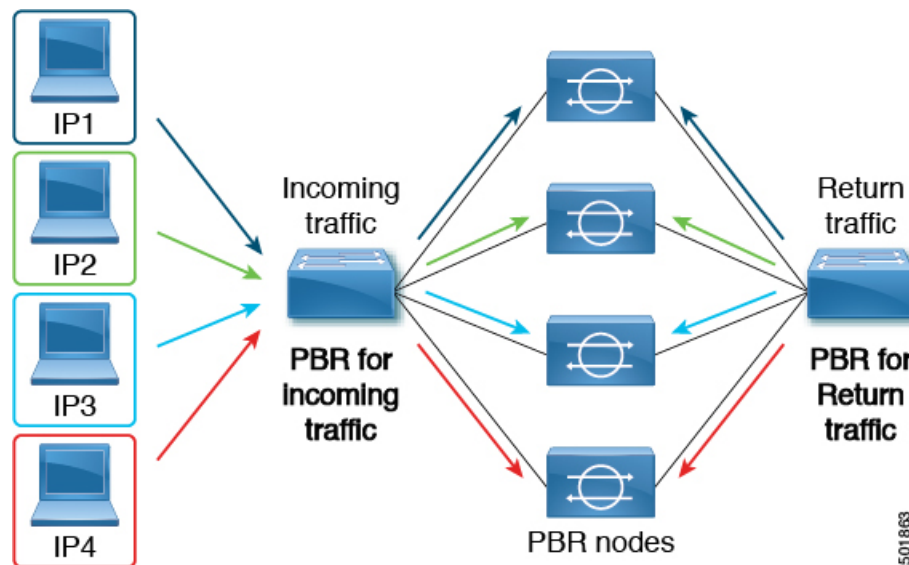
Policy-Based Redirect Resilient Hashing

In symmetric PBR, incoming and return user traffic uses the same PBR node in an ECMP group. If, however, one of the PBR nodes goes down/fails, the existing traffic flows are rehashed to another node. This can cause issues such as existing traffic on the functioning node being load balanced to other PBR nodes that do not have current connection information. If the traffic is traversing a stateful firewall, it can also lead to the connection being reset.

Resilient hashing is the process of mapping traffic flows to physical nodes and avoiding the rehashing of any traffic other than the flows from the failed node. The traffic from the failed node is remapped to a "backup" node. The existing traffic on the "backup" node is not moved.

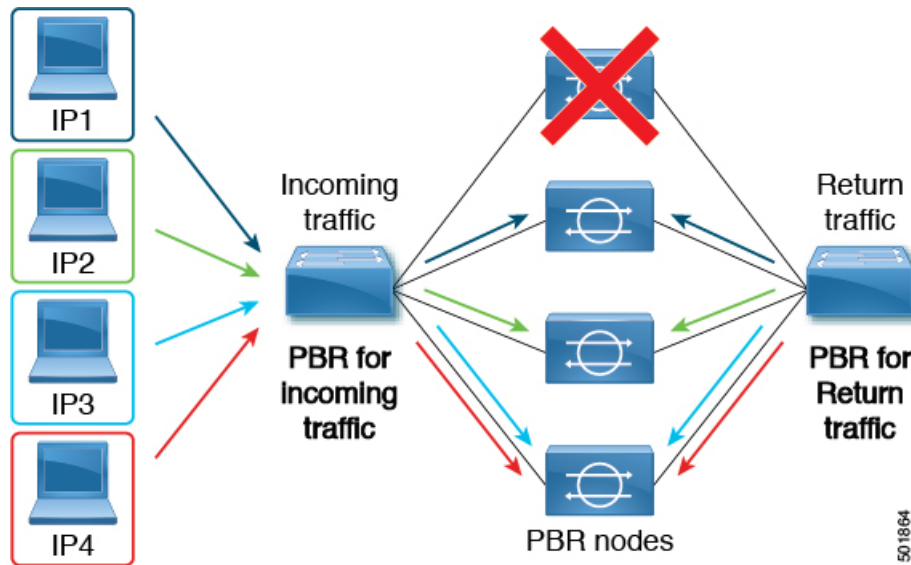
The image below shows the basic functionality of symmetric PBR with incoming and return user traffic using the same PBR nodes.

Figure 7: Symmetric PBR



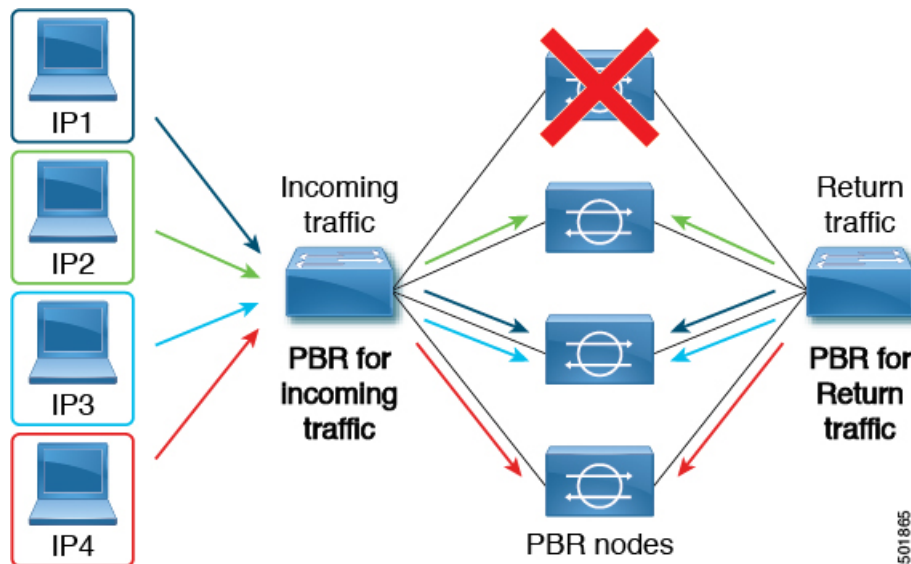
The next image shows what occurs when one of the PBR nodes is disabled or fails. The traffic for IP1 is reshaped to the next node and IP2 and IP3's traffic is load balanced to another PBR node. As stated earlier, this could lead to connectivity interruptions or delays if the other PBR nodes do not have the current connection information for IP2 and IP3 traffic.

Figure 8: Disabled/Failed PBR node without resilient hashing



The final image shows how this same use case is addressed when resilient hashing is enabled. Only the user traffic from the disabled/failed node is moved. All other user traffic remains on their respective PBR nodes.

Figure 9: Disabled/Failed PBR node with resilient hashing



If the node returns to service, the traffic flows reshaped from the failed node to the active node are returned to the reactivated node.



Note Adding or deleting PBR nodes from the ECMP group can cause all the traffic flows to be rehashed.

Enabling Resilient Hashing in L4-L7 Policy-Based Redirect

Before you begin

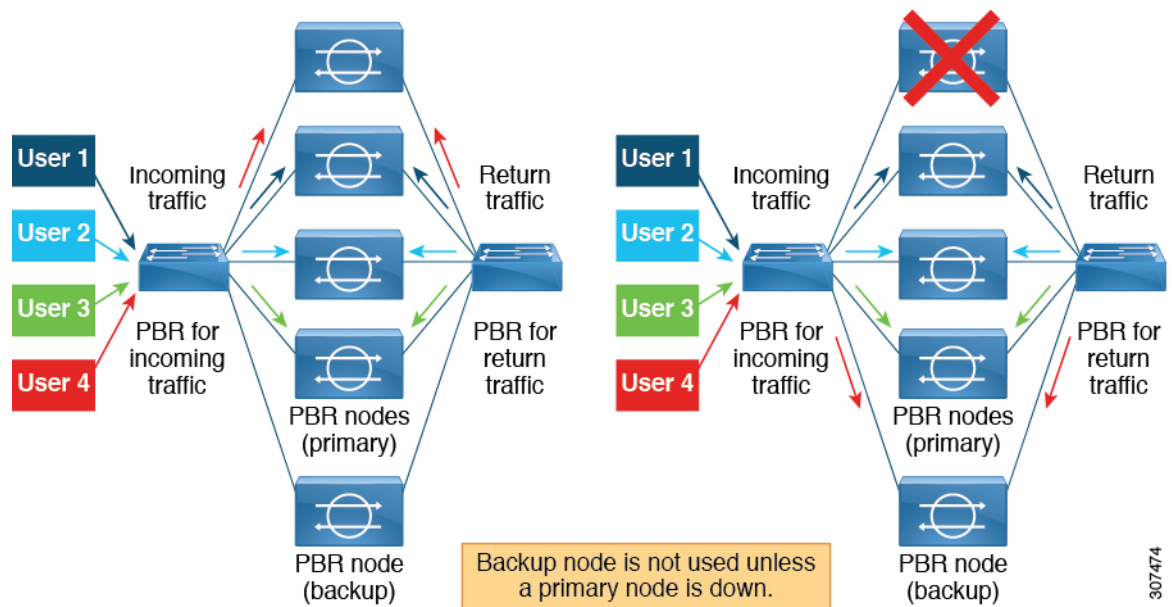
This task assumes that an L4-L7 Policy Based Redirect policy has been created.

-
- Step 1** On the menu bar, choose **Tenants > All Tenants**.
 - Step 2** In the Work pane, double-click the tenant's name.
 - Step 3** In the Navigation pane, choose **Tenant *tenant_name* > Policies > Protocol > L4-L7 Policy Based Redirect > L4-L7_PBR_policy_name**.
 - Step 4** In the Work pane, check the **Resilient Hashing Enabled** check box.
 - Step 5** Click **Submit**.
-

About PBR Backup Policy

Prior to Cisco APIC Release 4.2(1), all Policy-Based Redirect (PBR) destinations in a PBR policy are used as long as the PBR destination is functioning. If one of the PBR nodes fails, the existing traffic flows are rehashed. This could lead to the connection being reset if, for example, the data paths are traversing stateful firewalls. With Resilient Hash PBR, only the traffics that went through failed node is directed to one of the available nodes, which could cause an overload of traffic on the newly shared node. Instead of sharing one of the available nodes, a backup node in the group can be configured and used to absorb the traffic load. You can configure multiple backup PBR destinations per PBR backup policy.

Beginning with Cisco APIC Release 4.2(1), a new PBR Backup Policy option is available:



With resilient hash, only the traffic that went through the failed nodes gets rerouted to one of the available nodes. With resilient hash and PBR backup policy, the traffic that went through the failed primary node gets rerouted to one of the available backup nodes.

Backup Policy Guidelines and Limitations

Follow these guidelines and limitations for the PBR Backup Policy option:

- The PBR backup policy option is supported only on new generation leaf switches, which are switch models with "-EX", "-FX" or "-FX2" at the end of the switch name.
- Resilient hashing must be enabled.
- Starting from Cisco APIC Release 5.0(1), Layer 1/ Layer 2 PBR also supports backup policy.
- A destination can be used as a PBR destination or backup PBR destination, not both (a primary PBR destination can't be used as a backup PBR destination in the same or different PBR policy).
- One backup PBR policy can be used by only one PBR policy. If you attempt to add a second backup policy to a PBR policy, the configuration will be rejected.

If you want to use same backup PBR destination for multiple PBR policies, create two different backup PBR policies using the same backup PBR destination. The destinations in both these policies must have the same health group configured.

- With resilient hash and PBR backup policy:
 - The traffic that went through the failed nodes goes to a backup node in the PBR backup policy, in the order of IP address from lowest to highest. When multiple primary nodes fail and all the backup nodes are used then the traffic that went through the failed node is routed to one of the available nodes, including primary and backup nodes, in the order of IP address from lowest to highest. For example, assume there are four primary nodes (192.168.1.1 to 192.168.1.4) and two backup nodes (192.168.1.5 and 192.168.1.6):
 - When a primary node with IP address 192.168.1.1 failed, the traffic that went through this node is routed to an available backup node with the lowest IP address 192.168.1.5.

- When two primary nodes with IP addresses 192.168.1.1 and 192.168.1.2 failed, the traffic that went through 192.168.1.1 is routed to the backup node 192.168.1.5 and the traffic that went through 192.168.1.2 is routed to the backup node 192.168.1.6.
- When three primary nodes with IP addresses 192.168.1.1, 198.168.1.2, and 192.168.1.3 failed and only one backup node 192.168.1.5 is available, the traffic that went through the first failed node 192.168.1.1 is routed to the backup node 192.168.1.5.
 - For second failed primary node 192.168.1.2, compare the IP address (192.168.1.1) that the backup node is used for and the IP address of available primary node 192.168.1.4, since 192.168.1.1 is smaller than the first available primary node 192.168.1.4, the traffic that went through the failed node 192.168.1.2 is routed again to the backup node 192.168.1.5.
 - For third failed node 192.168.1.3, since the backup node is already in use, the traffic that went through the third failed node is routed to the available primary node 192.168.1.4.
- When pod aware PBR is enabled, for a failed primary node, the traffic that went through the failed node first goes to an available local backup node. If a backup node is not available, then a local primary node is preferred. When all local primary nodes and local backup nodes failed and therefore no local node is available, then the traffic that went through the failed node goes to a remote primary node, and then to a remote backup node. For example:
 - When both primary nodes and backup nodes are in the same pod, and pod aware PBR is enabled, for a failed primary node in local pod, the traffic that went through the failed node goes to a backup node in the same local pod.
 - When there are local primary nodes and local backup nodes, and pod aware PBR is enabled, for a failed local primary node and failed local backup node, the traffic that went through the failed node goes to another primary node in different pod.

Creating a PBR Backup Policy

-
- Step 1** On the menu bar, choose **Tenants > All Tenants**.
- Step 2** In the Work pane, double-click the tenant's name.
- Step 3** In the Navigation pane, choose **Tenant > tenant_name > Policies > Protocol > L4-L7 Policy Based Redirect Backup**.
- Step 4** Right-click **L4-L7 Policy Based Redirect Backup**, and then click **Create L4-L7 Policy-Based Redirect Backup**.
The **Create PBR Backup Policy** dialog appears.
- Step 5** In the **Name** field, enter a unique name for the backup policy.
- Step 6** In the **L3 Destinations** table, click +.
The **Create Destinations of Redirected Traffic** dialog appears.
- In the **IP** field, enter the IP address of the Layer 3 destination node.
 - In the **MAC** field, enter the MAC address of the Layer 3 destination node.
 - Optional: In the **Second IP** field, enter a secondary IP address for the Layer 3 destination node.
 - In the **Redirect Health Group** field, select an existing health group or create a new one.

For more information on creating a new redirect health group, see [Configuring a Redirect Health Group Using the GUI, on page 38](#).

e) Click **OK**.

Optional: Repeat steps a through e to add more Layer 3 destinations.

Step 7 Click **Submit**.

Enabling a PBR Backup Policy

Before you begin

This task assumes that a Layer 4 to Layer 7 policy-based redirect (PBR) policy has been created.

Step 1 On the menu bar, choose **Tenants > All Tenants**.

Step 2 In the Work pane, double-click the tenant's name.

Step 3 In the Navigation pane, choose **Tenant > tenant_name > Policies > Protocol > L4-L7 Policy Based Redirect > L4-L7_PBR_policy_name**.

Step 4 In the **Destination Type** field, choose **L3**.

Step 5 In the **IP SLA Monitoring Policy** field, select an existing policy or create a new IP SLA monitoring policy.

For more information on creating a new IP SLA monitoring policy, see the *Cisco APIC Layer 3 Networking Configuration Guide*.

Step 6 Check the **Resilient Hashing Enabled** box.

Step 7 In the **Backup Policy** field, choose an existing policy or create a new backup policy.

For more information on creating a new PBR backup policy, see [Creating a PBR Backup Policy, on page 19](#).

Step 8 Make sure at least one active PBR destination appears in the **L3 Destinations** table and is configured with a redirect health group.

For more information on creating a new redirect health group, see [Configuring a Redirect Health Group Using the GUI, on page 38](#).

Step 9 Click **Submit**.

About the Bypass Action

Prior to Cisco Application Policy Infrastructure Controller (APIC) release 4.1(2), when you choose Threshold Enable when creating a Layer 4-to-Layer 7 services policy-based redirect, only two options were available: **deny action** or **permit action**.

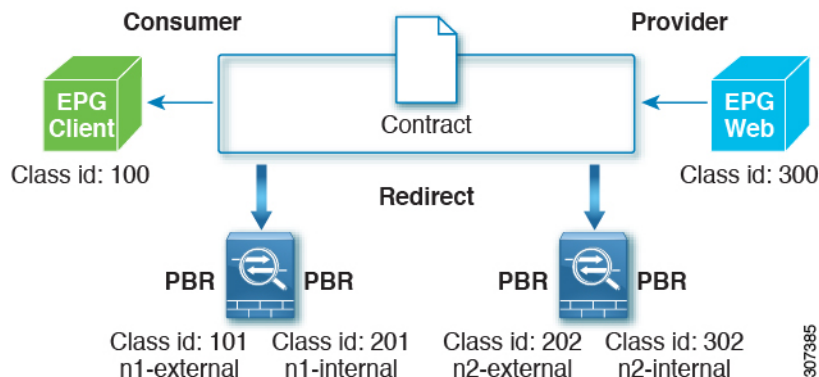
With these two options, in a multi-node policy-based redirect graph, when one node crosses the low threshold, the following action would occur, depending on which of the two options you selected:

- **deny action**: Traffic is dropped at this node.

- **permit action:** Traffic is sent directly to the destination, and the rest of the service chain is skipped.

Beginning with Cisco APIC release 4.1(2), a new **bypass action** option is available. With this option, in a multi-node policy-based redirect graph, when one node crosses the low threshold, traffic is still able to proceed through the rest of the service chain that is either up or cannot be bypassed.

The following sections describe how traffic is handled for each of these three options using this example two-node policy-based redirect graph.



When both nodes are up, this two-node policy-based redirect behaves in the following manner:

Source EPG	Destination EPG	Action
100	300	PBR to n1-external
201	300	PBR to n2-external
302	300	permit
300	100	PBR to n2-internal
202	100	PBR to n1-internal
101	100	permit

The following sections describe how the two-node policy-based redirect behaves when the first node goes down, based on the option that you select in the **Threshold Down Action** field.

deny action

Using the example configuration described above, if you select **deny action** in the **Threshold Down Action** field and the first node goes down, the PBR policies that use the first node are updated to "Drop," and communication between the client EPG and the Web EPG will be dropped, as shown in the following table.

Source EPG	Destination EPG	Action
100	300	Drop
201	300	PBR to n2-external
302	300	permit

Source EPG	Destination EPG	Action
300	100	PBR to n2-internal
202	100	Drop
101	100	permit

permit action

Using the example configuration described above, if you select **permit action** in the **Threshold Down Action** field and the first node goes down, the PBR policies that use the first node are updated to "Permit." Traffic from the client EPG to the Web EPG (from 100 to 300) proceeds directly, without the service node. Return traffic from the Web EPG to the client EPG (from 300 to 100) is redirected to n2-internal, as shown in the following table; however, the second node might drop the packet because it is an asymmetric flow.

Source EPG	Destination EPG	Action
100	300	Permit
201	300	PBR to n2-external
302	300	permit
300	100	PBR to n2-internal
202	100	Permit
101	100	permit

bypass action

Beginning with Cisco APIC release 4.1(2), if you select the new **bypass action** option in the **Threshold Down Action** field and the first node goes down, the PBR policies that use the first node are updated to "PBR to next device". In this case, the following occurs:

- Traffic from the Client EPG to the Web EPG (from 100 to 300) is redirected to n2-external.
- Return traffic from the Web EPG to the Client EPG (from 300 to 100) is redirected to n2-internal.
- Return traffic from n2-external to consumer is set to "Permit."

Source EPG	Destination EPG	Action
100	300	PBR to n2-external
201	300	PBR to n2-external
302	300	permit
300	100	PBR to n2-internal
202	100	Permit
101	100	permit

Guidelines and Limitations

Following are the guidelines and limitations for the **bypass action** option:

- The **bypass action** option is supported only on new generation ToR switches, which are switch models with "EX," "FX," or "FX2" at the end of the switch name.
- The **bypass action** option is not needed on a one-node service graph. If bypass is configured in such a case, forwarding behavior is the same as permit action.
- L3Out EPGs and regular EPGs can be consumer or provider EPGs.
- A service node that has NAT enabled cannot be bypassed, as that will break the traffic flow.
- The **bypass action** option is not supported in the following cases:
 - Layer 4-to-Layer 7 devices in one-arm mode.
 - Remote leaf switches.
- Do not use the same PBR policy in more than one service graph if bypass action is enabled. Cisco APIC will reject configurations if the same PBR policy with bypass action is used in multiple service graphs. To avoid this, configure different PBR policies that use the same PBR destination IP address, MAC address and Health Group.

Configuring the Threshold Down Action in Policy-Based Redirect

Before you begin

This task assumes that a Layer 4 to Layer 7 services policy-based redirect (PBR) policy has been created.

-
- Step 1** On the menu bar, choose **Tenants > All Tenants**.
- Step 2** In the Work pane, double-click the tenant's name.
- Step 3** In the Navigation pane, choose **Tenant > tenant_name > Policies > Protocol > L4-L7 Policy Based Redirect > L4-L7_PBR_policy_name**.
- Step 4** In the **Destination Type** field, select **L3**.
- Step 5** In the **IP SLA Monitoring Policy** field, select an existing policy or create a new IP SLA monitoring policy.
For more information on creating a new IP SLA monitoring policy, see the *Cisco APIC Layer 3 Networking Configuration Guide*.
- Step 6** Check the **Threshold Enable** check box.
The following fields appear:
- Min Threshold Percent (percentage)
 - Max Threshold Percent (percentage)
 - Threshold Down Action
- Step 7** Select the minimum and maximum threshold percentage.

For more information on the minimum and maximum thresholds, see [Policy-Based Redirect and Threshold Settings for Tracking Service Nodes](#), on page 36.

Step 8 In the **Threshold Down Action** area, select the threshold down action.

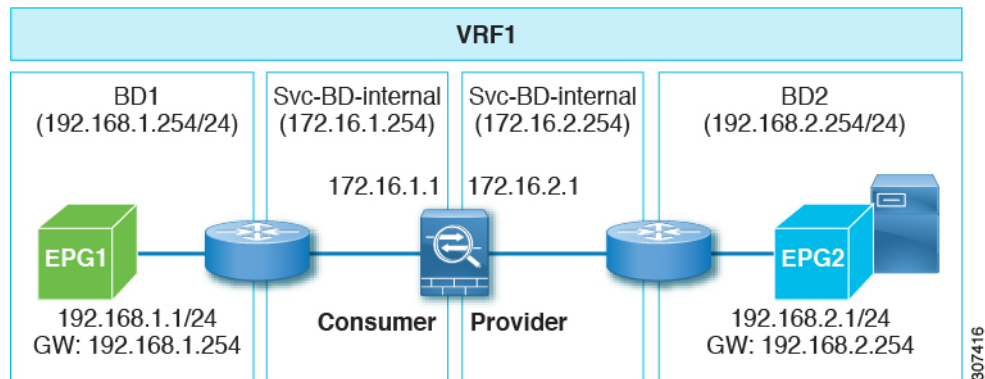
The options are:

- **bypass action**
- **deny action**
- **permit action**

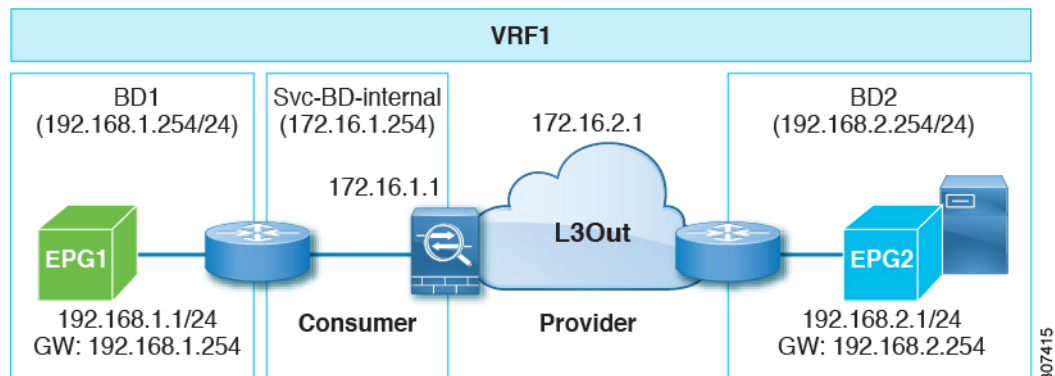
Step 9 Click **Submit**.

About Policy-Based Redirect with L3Out

Prior to Cisco APIC Release 4.1(2), if policy-based redirect is enabled on a node, both the consumer and the provider connectors of the node must be in bridge domains, as shown in the following illustration, even though the policy-based redirect is not required on an interface.



Beginning with Cisco APIC Release 4.1(2), uni-directional policy-based redirect with L3Out is now supported, as shown in the following illustration. In this example, policy-based redirect is enabled in the bridge domain in the consumer connector, but the policy-based redirect is not enabled on the provider connector in the L3Out.



Configuring Policy-Based Redirect with L3Out

The configuration steps for policy-based redirect with L3Out is essentially the same as a typical policy-based redirect configuration. It is assumed that you already have the necessary tenant, VRF, EPGs, and bridge domains for the EPGs and service bridge domains configured.

1. Create a Layer 4 to Layer 7 device. For the concrete interface, the path should match with the VLAN used in the L3Out logical interface.
2. Create a Service Graph template.
3. Create a PBR policy.
4. Create an L3Out.
5. Create a Device Selection Policy using the following settings:
 - Enable the PBR on the consumer connector and select the L3Out on the provider connector.
 - Deselect the **L3 Destination (VIP)** field (remove the check from the checkbox) on both the consumer and provider connector for the node with L3Out.

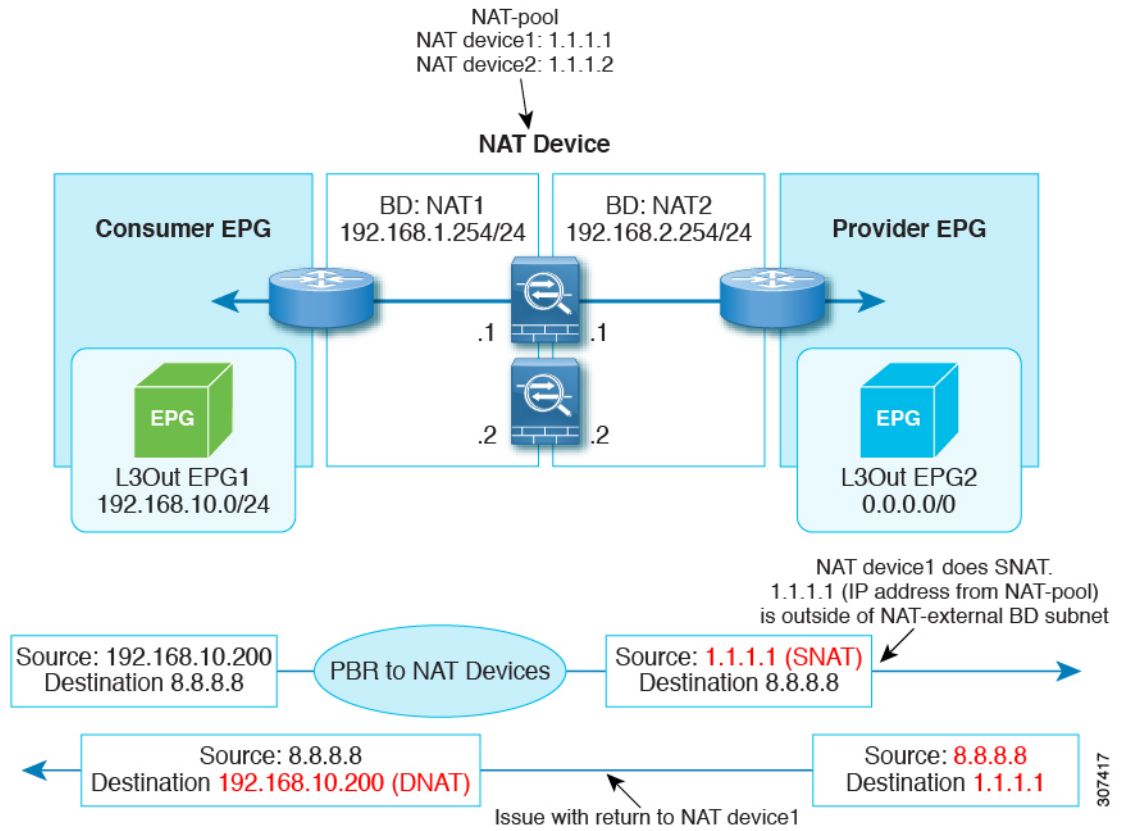
For example, you would make the following selections in the Logical Interface Connector page for each connector:

- On the consumer side, in the **Associated Network** field, select **Bridge Domain** and enable PBR in the **L4-L7 Policy-Based Redirect** field. Also deselect the **L3 Destination (VIP)** field.
 - On the provider side, in the **Associated Network** field, select **L3 External Network** and select the L3Out in the **L3 External Network** field. Also deselect the **L3 Destination (VIP)** field.
6. Apply the Service Graph, where you attach the Service Graph to the contract.

Note that you can configure QoS as part of the L3Out configuration.

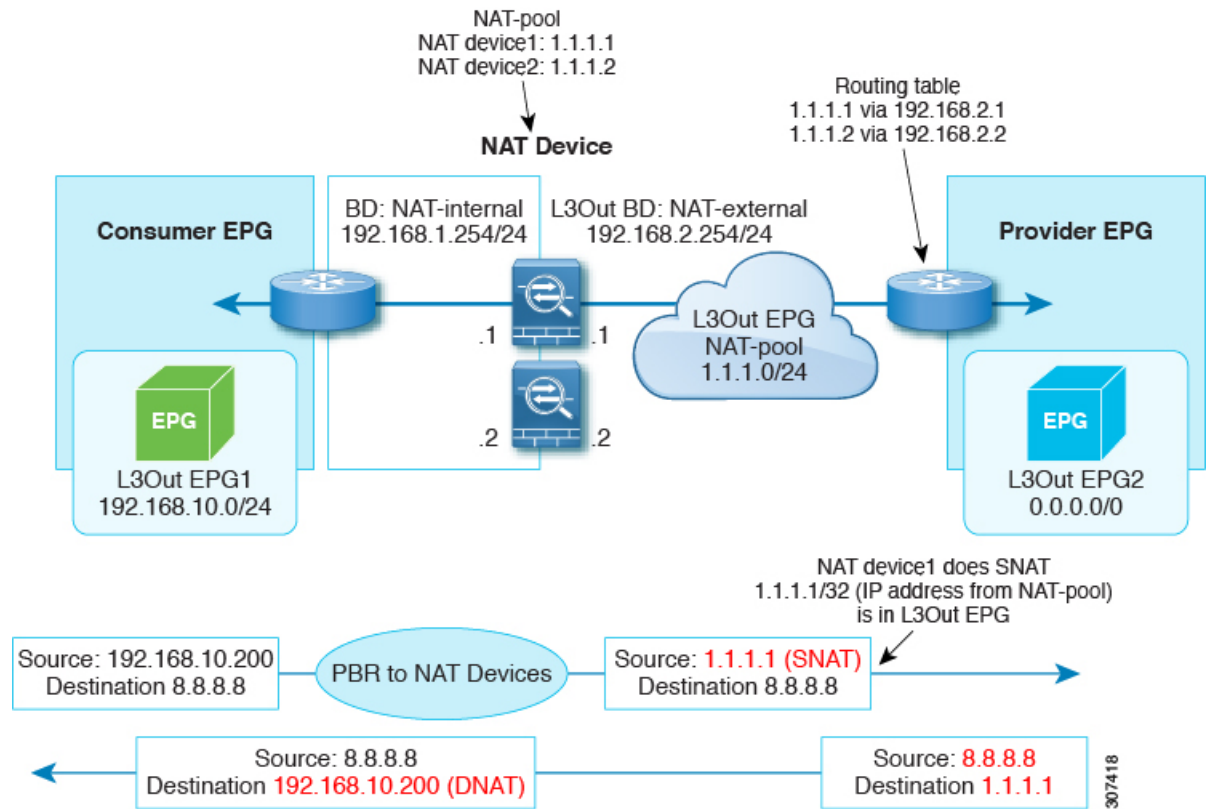
Example Use Case for Policy-Based Redirect with L3Out

An example situation where policy-based redirect with L3Out would be useful would be a configuration with symmetric PBR with multiple network address translation (NAT) devices, as shown in the following figure.



In this situation, for internal to external traffic, symmetric PBR is used to load balance traffic to one of the PBR nodes. In addition, the IP address from the NAT-pool is outside of the service bridge domain subnet range. The return traffic will go back to the same node in this situation, but for releases prior to Cisco APIC Release 4.1(2), the L3Out cannot be used on the NAT-external side because if the PBR is used on the service node, the other service node connector must be in the bridge domain as well.

However, beginning with Cisco APIC Release 4.1(2), support is available for enabling PBR on the consumer connector, with the provider connector as an L3Out, as shown in the following figure.



Guidelines and Limitations

Following are the guidelines and limitations for policy-based redirect with L3Out:

- Use a specific L3Out EPG subnet if there are other L3Out EPGs in the same VRF; otherwise, the other L3Outs might be used by mistake.
- Ensure that IP translation occurs on the service node. If the SNAT is not properly done on the firewall, it could be classified to the L3Out internal and could cause a loop.
- L3Out is supported only on the provider side of the last node.

PBR Support for Service Nodes in Consumer and Provider Bridge Domains

Starting with the Cisco APIC 3.1(1) release, bridge domains (BDs) that contain a consumer or provider also support service nodes. Therefore, you are not required to provision separate PBR bridge domains any longer.

The Cisco Nexus 9300-EX and 9300-FX platform leaf switches support this feature.

About Layer 1/ Layer 2 Policy-Based Redirect

A Layer 1 device is typically called inline or wire mode and used for firewall and IPS if the service device is expected to perform security functions not participating in L2 or L3 forwarding.

A Layer 2 device is typically called transparent mode or bridged mode and used for firewall and IPS.

A Layer 3 device is typically called in a routed mode and used for router firewall and load balancer.

Prior to ACI release 4.1, PBR could be configured to redirect traffic to a L4-L7 device configured in Layer 3 device(Go-To) mode only. If L4-L7 device is Layer 1 or Layer 2 device such as transparent firewall, PBR couldn't be used, which means you could only deploy a L4-L7 device operating in Layer 1 or Layer 2 mode by using Service Graph and defining the L4-L7 device in **Go-Through** mode.

Starting from APIC release 4.1, PBR can be configured to redirect traffic to a L4-L7 device configured in Layer 1/ Layer 2 device mode as well. PBR can be used with inline IPS, transparent firewall, in addition to routed mode firewall.

As part of Layer 1/ Layer 2 PBR feature, APIC can verify whether the L4-L7 device is forwarding traffic by using L2 Ping packets for link layer tracking.

Differently from **Go-Through** mode, which can forward also non-IP traffic, Layer 1 / Layer 2 PBR is applicable to IP traffic only.

Layer 1 / Layer 2 PBR Configuration Overview

The following list summarizes some of the key Layer 1 / Layer 2 PBR configuration concepts:

- Deploying a L4-L7 device with Layer 1/ Layer 2 PBR requires the configuration of two service bridge domains, one for the consumer-side and one for the provider-side, unlike regular PBR, these bridge domains cannot be the same as the bridge domains where the endpoints (consumer or provider) are configured.
- The service bridge domains must be unicast routing enabled.
- The physical L4-L7 device can be connected with individual links or with VPC to the leaf switches.
- With a Layer 1 device, the consumer side VLAN and the provider side VLAN are the same but on different bridge domains, hence the consumer and provider-side of the L4-L7 device must be connected to different physical leaves.
- When the L4-L7 device is configured as a Layer 1 or Layer 2 device, it doesn't have an IP address on the interface where it receives and sends traffic, hence the redirect policy is defined by entering the leaf/port and VLAN where it is connected to.
- The redirect policy configuration requires only the definition of the leaf/port and VLAN, entering a MAC address is optional. If the MAC field is left empty, ACI generates dynamically one MAC address that is used to rewrite the destination MAC address when sending to the L4-L7 device on the service bridge domain. These MAC addresses are not the L4-L7 device MAC addresses. They are virtual MAC addresses that ACI uses to rewrite the destination MAC address of the traffic.
- If the L4-L7 device is deployed in Layer 2 mode, it must be configured statically to forward the MAC addresses that PBR uses to forward traffic to the L4-L7 device. One MAC address identifies the consumer-to-provider destination MAC address used on the service bridge domain and the other MAC

address defines the provider-to-consumer destination MAC address used on the other service bridge domain.

These MAC addresses can be entered manually by the user in APIC as part of the redirect policy definition, or they are auto-generated if the field is left empty. The admin has to add these MAC addresses to the MAC address table of the L4-L7 device and be associated with the provider-side port for the MAC address used in the consumer-to-provider direction and with the consumer-side port for the provider-to-consumer direction.

- If an intermediate switch is in between leaf and the L4-L7 device deployed in Layer 1/Layer 2 mode, the intermediate switch also needs to forward the traffic destined to the rewritten destination MAC.
- Layer 1/ Layer 2 PBR is based on forwarding to a leaf/port/VLAN, hence it can only be deployed with physical domains not with VMM domains. If you need to deploy Layer 1/ Layer 2 PBR with a virtual appliance, that must be configured with a physical domain.
- From a high availability perspective, the L4-L7 device is deployed in Active/Standby mode and ACI has to perform tracking in order to verify which path (leaf/port) is active and which one is standby. Tracking is mandatory for multiple service devices in a L4-L7 Logical Device cluster.
- For Layer 1 / Layer 2 PBR tracking, Layer 2 ping is used. IP SLA type is L2 ping.
- Layer 2 ping, `ethertype 0x0721` is exchanged between leaf nodes, which is going through the service device. Thus, the Layer 1/Layer 2 device needs to permit `ethertype 0x0721`.
- Layer 1 / Layer 2 Policy-Based Redirect is not supported from CLI.
- Service node in managed mode is not supported.
- Layer 1/ Layer 2 PBR active-active PBR destinations can't be connected to remote leaf as flood in encapsulation is not supported on remote leaf. Provider and consumer service nodes can still be connected to remote leaf.
- Dynamic VLAN allocation is not supported.

Active/Standby Layer 1/ Layer 2 PBR Design Overview

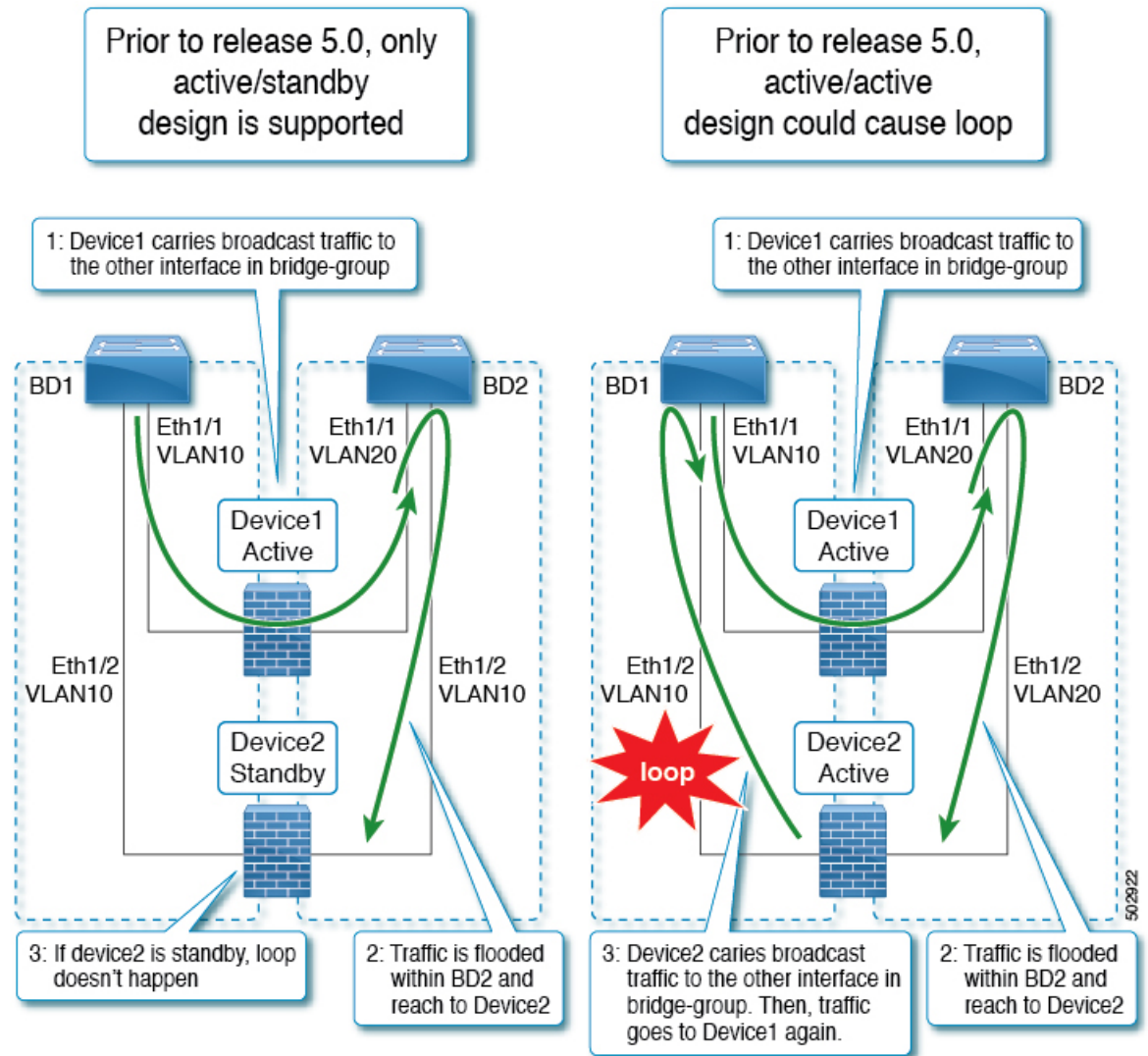
Starting from APIC release 4.1, Layer 1/ Layer 2 PBR and active/standby PBR design is supported with tracking.

In case of Layer 1/ Layer 2 PBR, the Source and Destination MAC addresses of Layer 2 ping are PBR destination MACs. If the PBR node is up and carries the traffic, Layer 2 ping should successfully return to the Cisco ACI fabric. Then the Cisco ACI fabric knows that the PBR destination is available. If there are active and standby HA Layer 1/Layer 2 service nodes that you want to insert using Layer 1/Layer 2 PBR and there are two PBR destinations where tracking is enabled, only one of the paths that is connected to an active node is up, because a standby device does not forward traffic; so traffic is redirected to the interface that is connected to the active node.

If failover happens and standby takes over the active role, the tracking status changes and traffic gets redirected to the interface that is connected to the new active node.

Prior to Cisco APIC Release 5.0(1), as shown in the following illustration, if there is a active Layer 1/Layer 2 device in the same service bridge domain pair as a standby Layer 1/Layer 2 device, the L4-L7 devices operating in active/standby design mode, even if traffic is flooded within a bridge domain and it reaches the second L4-L7 device, a loop doesn't happen because this device is in standby mode.

The reason why the active/active design is not supported with releases prior to Cisco APIC Release 5.0(1); if there are multiple active Layer 1/Layer 2 devices in the same service bridge domain pair, with an active/active design, the second L4-L7 device would forward the traffic to the other interface in the other bridge domain and the traffic reaches the first device, thus causing a loop.



Guidelines and Limitations for Layer 1/ Layer 2 Policy-Based Redirect

Observe the following guidelines and limitations when planning Layer 1/ Layer 2 Policy-Based Redirect service nodes:

- Layer 1 / Layer 2 Policy-Based Redirect is not supported from CLI.
- The two legs of the Layer 1 service device need to be configured on a different leaf switch to avoid packet loops. Per port VLAN is not supported.

- Shared bridge domain is not supported. A Layer 1/ Layer 2 device bridge domain cannot be shared with Layer 3 device or regular EPGs.
- Service node in managed mode is not supported.
- RL-D is not supported as baseline FIE is not supported.
- Dynamic CLF VLAN allocation is not supported.
- Layer 1/ Layer 2 devices support physical domain only, VMM domain is not supported.
- Tracking is mandatory when service devices are in Active/Standby HA mode.
- For both Layer 1 and Layer 2 PBR , MAC is an optional parameter. APIC assigns the MAC address if it is not configured. In both cases, traffic is routed to the device using the MAC address which can be user configured or implicitly assigned by APIC.

Configuring Layer 1/ Layer 2 PBR Using the APIC GUI

Before you begin

- Create a L4-L7 device and service graph using the Layer 1/ Layer 2 function type, see configuration steps in *Configuring Policy-Based Redirect Using the GUI*.

Step 1 On the menu bar, choose **Tenants > All Tenants**.

Step 2 In the Navigation pane, choose **Tenant** *tenant_name* > **Policies > Protocol > L4-L7 Policy Based Redirect**.

Step 3 In the Work pane, choose **Action > Create L4-L7 Policy Based Redirect**.

Step 4 In the **Create L4-L7 Policy Based Redirect** dialog box, complete the following fields:

- a) In the **Name** field, provide a name.
- b) In the **Destination Type** field, select **L1** or **L2**.
- c) In the **IP SLA Monitoring Policy** create the L2 ping monitoring policy.
 - In the **Name** field, provide a name.
 - In the **SLA Type** choose **L2Ping**.The **SLA Frequency** is optional.

d) In the **L1-L2 Destination** click + to add a destination.

Enter the name, redirect health group, and concrete interface. MAC address is optional configuration.

e) Click **OK**.

Note Do not enter an actual interface MAC address. Either leave it blank so the APIC generates MAC automatically or enter a dummy MAC address for external PBR policy MAC A and internal PBR policy MAC B. Remember these MAC addresses are used in firewall configuration.

Step 5 Click **Submit**.

Step 6 In the Navigation pane, choose **Services > L4-L7 > Device Selection Policies > Logical Device Context_name**.

- Step 7** Expand the Logical Device and apply the Layer 1/ Layer 2 PBR policy in the **L4-L7 Policy-Based Redirect** field for the consumer or provider.
- Step 8** Click **Submit**.

Configuring ASA for Layer 1/ Layer 2 PBR Using CLI

Before you begin

- In a general configuration, the service device must be able to forward the Layer 2 ping tracking packet. Layer 2 ping, `ethertype 0x0721` is used for tracking. Layer 2 ping is exchanged between leaf nodes, which is going through the service device. Thus, the Layer 1/Layer 2 device needs to permit `ethertype 0x0721`.
- The static MAC configuration is required.
- The following is an example for ASA configuration, where ASA is used as L4-L7 device in Layer 2 mode.

- Step 1** The ASA interfaces (service legs) need to be configured in the same bridge-group.

Example:

```
interface GigabitEthernet0/0
nameif externalIf
bridge-group 1

interface GigabitEthernet0/1
nameif internalIf
bridge-group 1
```

- Step 2** The ASA learns source MAC address of the layer 2 ping traffic. It's recommended to disable MAC learning to avoid conflicting entries getting created on the ASA as the layer 2 ping traffic uses the same source MAC to track consumer and provider directions.

In the following example, **externalIf** is the interface name on ASA, which is used as a consumer connector of the Layer 1 / Layer 2 service node. **internalIf** is the interface name on ASA, which is used as a provider connector of the Layer 1 / Layer 2 service node. Disable MAC learning on **externalIf** and **internalIf**. L2 ping uses the same source MAC when it tries to track both the external and internal legs.

MAC learning is disabled to avoid conflicting entries getting created on the ASA as Layer 2 ping uses the same source MAC to track external and internal.

Example:

```
mac-learn externalIf disable
mac-learn internalIf disable
```

- Step 3** Configure ASA rules to permit L2 ping custom ethertype.

Example:

```
access-list Permit-Eth ethertype permit any
access-group Permit-Eth in interface externalIf
access-group Permit-Eth in interface internalIf
```


- Step 4** The redirected traffic and Layer2 ping packet use PBR destination MAC, while ASA bridges consumer and provider interfaces. The ASA transparent mode would commonly flood unknown destination MACs, but with L2 PBR, this method cannot be used as PBR destination MACs do not actually exist in the network. Therefore, static MAC entries are recommended to allow Layer 2 ping and PBR traffic to be properly bridged for all cases by the ASA.

Example:

```
mac-address-table static externalIf (MAC B)
mac-address-table static internalIf (MAC A)
```

- Note** Apart from the configuration of service device such as ASA, if there is an intermediate switch between leaf and the service device, the intermediate switch needs to be able to carry the traffic. You might need static MAC configuration or promiscuous mode configuration on the intermediate switch.

Verifying Layer 1/ Layer 2 PBR Policy On The Leafs Using CLI

The example commands in this procedure are for configuring Layer 1 and Layer 2 Policy-Based Redirect nodes.

- Step 1** Check whether PBR group and destination information are configured on the switch:

Example:

```
sdk74-leaf4# show service redir info
GrpID Name                destination                operSt
=====
1    destgrp-1              dest-[50.50.50.1]-[vxlan-2719744]  enabled
2    destgrp-2              dest-[20.20.20.1]-[vxlan-2719744]  enabled
Name                vrfEncap                operSt                bdVnid                ip                vMac                vrf
=====
=
dest-[20.20.20.1]-[vxlan-2719744]  vxlan-16514958  20.20.20.1  00:00:14:00:00:01  coke1:cokectx1
  vxlan-2719744  enabled
dest-[50.50.50.1]-[vxlan-2719744]  vxlan-16711542  50.50.50.1  00:00:3C:00:00:01  coke1:cokectx1
  vxlan-2719744  enabled
```

- Step 2** Check whether zoning-rule is configured with correct action and group information:

Example:

```
sdk74-leaf4# show zoning-rule | grep redir
4103      49155      49154      18      enabled      2719744
redir(destgrp-2)      fully_qual(6)
4106      49154      49155      17      enabled      2719744
redir(destgrp-1)      fully_qual(6)
```

- Step 3** Aclqos subcommand for PBR:

Example:

```
module-1# show system internal aclqos services redir ?
<CR>
  dest  Dest related info
  group Group related info

module-1# show system internal aclqos services redir group 1
```

```

Flag Legend :
0x1: In SDK
0x10: In local DB
0x20: Delete pending
0x40: Dummy adj

***** Service key redir-group(1) *****
Service flags: 0x11
Num of reference: 0x1
Num of path: 1
path 0 key: redir-dest-ipv4(vrf vnid vxlan-2719744 prefix-50.50.50.1)

module-1# show system internal aclqos services redir dest 2719744 50.50.50.1
Flag Legend :
0x1: In SDK
0x10: In local DB
0x20: Delete pending
0x40: Dummy adj
***** Service key redir-dest-ipv4(vrf vnid vxlan-2719744 prefix-50.50.50.1) *****
Service flags: 0x10
Num of reference: 0x1
Num of path: 1
Ifindx: 0x18010007
Bd_vnid: 16711542
Vmac: 00:00:3c:00:00:01

```

Step 4 Zoning-rule command:**Example:**

```

module-1# show system internal aclqos zoning-rules 4106
ASIC type is Sug
=====
Rule ID: 4106 Scope 3 Src EPG: 49154 Dst EPG: 49155 Filter 17
Redir group: 1

Curr TCAM resource:
=====
unit_id: 0
=== Region priority: 1539 (rule prio: 6 entry: 3)===
sw_index = 44 | hw_index = 44
=== SDK Info ===
Result/Stats Idx: 81876
30
Tcam Total Entries: 1
HW Stats: 0

```

Configuring Layer 1/ Layer 2 PBR Using the REST API

Layer 1/ Layer 2 Policy-Based Redirect configuration:

Example:

```

<polUni>
  <fvTenant name="coke" >
    <!--If L1/L2 device in active-active mode -- >

```

```

    <vnsLDevVip name="N1" activeActive="yes" funcType="L1" managed="no">
    </vnsLDevVip>
    <!--If L1/L2 device in active-standby mode -->
    <vnsLDevVip name="N1" activeActive="no" funcType="L1" managed="no">
    </vnsLDevVip>

    <vnsAbsGraph descr="" dn="uni/tn-coke/AbsGraph-WebGraph" name="WebGraph" ownerKey="" ownerTag=""
    uiTemplateType="UNSPECIFIED">

        <!--For L2 device -->
        <vnsAbsNode descr="" funcTemplateType="OTHER" funcType="L2" isCopy="no" managed="no" name="N1"
        ownerKey="" ownerTag="" routingMode="Redirect" sequenceNumber="0" shareEncap="no">
        </vnsAbsNode>

        <!--For L1 device -->
        <vnsAbsNode descr="" funcTemplateType="OTHER" funcType="L1" isCopy="no" managed="no" name="N1"
        ownerKey="" ownerTag="" routingMode="Redirect" sequenceNumber="0" shareEncap="no">
        </vnsAbsNode>

    </vnsAbsGraph>

    <fvIPSLAMonitoringPol name="Pol2" slaType="l2ping"/>
    <vnsSvcCont>
    <vnsRedirectHealthGroup name="2" />
        <vnsSvcRedirectPol name="N1Ext" destType="L2">
            <vnsRsIPSLAMonitoringPol tDn="uni/tn-coke/ipslaMonitoringPol-Pol2"/>
            <vnsL1L2RedirectDest destName="1">
                <vnsRsL1L2RedirectHealthGroup tDn="uni/tn-coke/svcCont/redirectHealthGroup-2"/>
                <vnsRsToCif tDn="uni/tn-coke/lDevVip-N1/cDev-ASA1/cIf-[Gig0/0]"/>
            </vnsL1L2RedirectDest>
        </vnsSvcRedirectPol>

        <vnsSvcRedirectPol name="N1Int" destType="L2">
            <vnsRsIPSLAMonitoringPol tDn="uni/tn-coke/ipslaMonitoringPol-Pol2"/>
            <vnsL1L2RedirectDest destName="2">
                <vnsRsL1L2RedirectHealthGroup tDn="uni/tn-coke/svcCont/redirectHealthGroup-2"/>
                <vnsRsToCif tDn="uni/tn-coke/lDevVip-N1/cDev-ASA1/cIf-[Gig0/1]"/>
            </vnsL1L2RedirectDest>
        </vnsSvcRedirectPol>
    </vnsSvcCont>
</fvTenant>
</polUni>

```

Policy-Based Redirect and Tracking Service Nodes

Beginning with the Cisco Application Policy Infrastructure Controller (APIC) 2.2(3) and 3.1(1) releases (but, excluding the 3.0 releases), the policy-based redirect feature (PBR) supports the ability to track service nodes. Tracking enables you to prevent redirection of traffic to a service node that is down. If a service node (PBR destination) is down, the PBR hashing can begin selecting an available PBR destination in a policy. This feature requires Cisco Nexus 9300-EX, -FX, or later platform leaf switches.

Service nodes can support dual IP address stacking. Therefore, this feature has the capability to track both IPv4 and IPv6 addresses at the same time. When both IPv4 and IPv6 addresses are "up," the PBR destination is marked as "up."

Switches internally use the Cisco IP SLA monitoring feature to support PBR tracking. The tracking feature marks a redirect destination node as "down" if the service node is not reachable. The tracking feature marks

a redirect destination as node "up" if the service node resumes connectivity. When a service node is marked as "down," it will not be used to send or hash the traffic. Instead, the traffic will be sent or hashed to a different service node in the cluster of redirection destination nodes.

To avoid black holing of the traffic in one direction, you can associate a service node's ingress and egress redirect destination nodes with a redirection health policy. Doing so ensures that if either an ingress or egress redirection destination node is down, the other redirection destination node will also be marked as "down." Hence, both ingress and egress traffic gets hashed to a different service node in the cluster of the redirect destination nodes.

You can use the following protocols for tracking:

- ICMP (for Layer 3 PBR)
- TCP (for Layer 3 PBR)
- L2ping (for Layer 1/2 PBR)

PBR Node Health Group

The PBR node tracking enables to prevent redirection of traffic to a failed PBR node. In case the consumer or the provider connector of the PBR node is down, the traffic that went through the failed node may get black-holed. To prevent the traffic from being black-holed, Cisco ACI avoids the use of the PBR node for traffic in both directions. Some L4-L7 devices can bring down an interface if another interface is down. You can use this capability on the L4-L7 device to avoid black-holing. If the PBR node doesn't have this capability, you should use the health group feature to disable PBR for the node if either the consumer or provider connector is down.

Each PBR destination IP and MAC address can be in a health group. For example, assume that you have two PBR node destinations. One has 172.16.1.1 as the consumer connector and 172.16.2.1 as the provider connector, and these are in Health-group1. The other has 172.16.1.2 as the consumer connector and 172.16.2.2 as the provider connector, and these are in Health-group2. If either of the PBR destinations in the same health group is down, that node will not be used for PBR.

Policy-Based Redirect and Threshold Settings for Tracking Service Nodes

The following threshold settings are available when configuring a policy-based redirect (PBR) policy for tracking service nodes:

- **Threshold enabled or disabled:** When the threshold is enabled, you can specify the minimum and maximum threshold percentages. Threshold enabled is required when you want to disable the redirect destination group completely and prevent any redirection. When there is no redirection, the traffic is directly sent between the consumer and the provider.
- **Minimum threshold:** The minimum threshold percentage specified. If the traffic goes below the minimum percentage, the packet is permitted instead of being redirected. The default value is 0.
- **Maximum threshold:** The maximum threshold percentage specified. Once the minimum threshold is reached, to get back to operational state, the maximum percentage must first be reached. The default value is 0.

Let us assume as an example that there are three redirect destinations in a policy. The minimum threshold is specified at 70% and the maximum threshold is specified at 80%. If one of the three redirect destination policies goes down, the percentage of availability goes down by one of three (or 33%), which is less than the

minimum threshold. As a result, the minimum threshold percentage of the redirect destination group is brought down and traffic begins to get permitted instead of being redirected. Continuing with the same example, if the maximum threshold is 80%, to bring the redirect policy destination group back to the operational state, a percentage greater than the maximum threshold percentage must be reached.

Guidelines and Limitations for Policy-Based Redirect With Tracking Service Nodes

Follow these guidelines and limitations when using policy-based redirect (PBR) tracking with service nodes:

- Beginning in release 4.0(1), remote leaf switch configurations support PBR tracking, but only if system-level global GIPo is enabled. See *Configuring Global GIPo for Remote Leaf Using the GUI*.
- Beginning in release 4.0(1), remote leaf switch configurations support PBR resilient hashing.
- A Cisco ACI Multi-Pod fabric setup is supported.
- A Cisco ACI Multi-Site setup is not supported.
- An L3Out is supported for the consumer and provider EPGs.
- TCP or ICMP protocol types are used to track the redirect destination nodes.
- PBR supports up to 100 trackable IP addresses in leaf switches and 200 trackable IP addresses in the Cisco Application Centric Infrastructure (ACI) fabric.
- PBR supports up to 1,000 service graph instances per Cisco ACI fabric.
- PBR supports up to 100 service graph instances per device.
- You can configure up to 40 service nodes per PBR policy.
- You can configure up to 3 service nodes per service chain.
- Shared services are supported with PBR tracking.
- The following threshold down actions are supported:
 - deny action
 - permit action
- If multiple PBR policies have the same PBR destination IP address in the same VRF instance, the policies must use the same IP SLA policy and health group for the PBR destination.

Configuring PBR and Tracking Service Nodes Using the GUI

-
- Step 1** On the menu bar, click **Tenant** > *tenant_name*. In the navigation pane, click **Policies** > **Protocol** > **L4-L7 Policy Based Redirect**.
- Step 2** Right-click **L4 –L7 Policy Based Redirect**, and click **Create L4–L7 Policy Based Redirect**.
- Step 3** In the **Create L4–L7 Policy Based Redirect** dialog box, perform the following actions:
- a) In the **Name** field, enter a name for the PBR policy.

- b) In the dialog box, choose the appropriate settings to configure the hashing algorithm, IP SLA Monitoring Policy, and other required values.

Note Destination groups that share destinations must have same IP SLA monitoring policy configured.

- c) In the threshold setting fields, specify the settings as appropriate and if desired.
 d) Expand **Destinations** to display **Create Destination of Redirected Traffic**.
 e) In the **Create Destination of Redirected Traffic** dialog box, enter the appropriate details including the **IP** address and the **MAC address** fields.

The fields for IP address and Second IP address are provided where you can specify IPv4 and/or IPv6 addresses.

Note This field is not mandatory. Use it if the L4-L7 device has multiple IP addresses and you want ACI to verify both of them.

If both the **IP** and **Second IP** parameters are configured, both must be up in order to mark the PBR destination as "UP".

- f) In the **Redirect Health Group** field, associate an existing health group or create a new health group, as appropriate. Click **OK**.

Note Destination groups that share destinations must have same health group configured.

- g) In the **Create L4–L7 Policy Based Redirect** dialog box, click **Submit**.

The L4-L7 Policy Based Redirect and tracking of service nodes is configured after binding the redirect health group policy to the L4-L7 PBR policy and the settings to track the redirect destination group are enabled.

Configuring a Redirect Health Group Using the GUI

Step 1 On the menu bar, click **Tenant > tenant_name**. In the navigation pane, click **Policies > Protocol > L4-L7 Redirect Health Groups**.

Step 2 Right-click **L4 –L7 Redirect Health Groups**, and choose **Create L4–L7 Redirect Health Group**.

Step 3 In the **Create L4–L7 Redirect Health Group** dialog box, perform the following actions:

- a) In the **Name** field, enter a name for the Redirect Health Group policy.
 b) In the **Description** field, enter additional information if appropriate, and click **Submit**.

The Layer 4 to Layer 7 services redirect health policy is configured.

Configuring Global GIPo for Remote Leaf Using the GUI

Performing this task allows PBR tracking to function in remote leaf configurations.



Note This configuration must be performed for PBR tracking to function on a remote leaf. Without this configuration, PBR tracking will not work on the remote leaf, even when the main data center is reachable.

-
- Step 1** On the menu bar, click **System > System Settings**.
 - Step 2** In the **System Settings** navigation pane, click **System Global GIPo**.
 - Step 3** In the **System Global GIPo Policy** work pane, click **Enabled**.
 - Step 4** In the **Policy Usage Warning** dialog, review the nodes and policies that may be using the GIPo policy and, if appropriate, click **Submit Changes**.
-

Configuring PBR to Support Tracking Service Nodes Using the REST API

Configure PBR to support tracking service nodes.

Example:

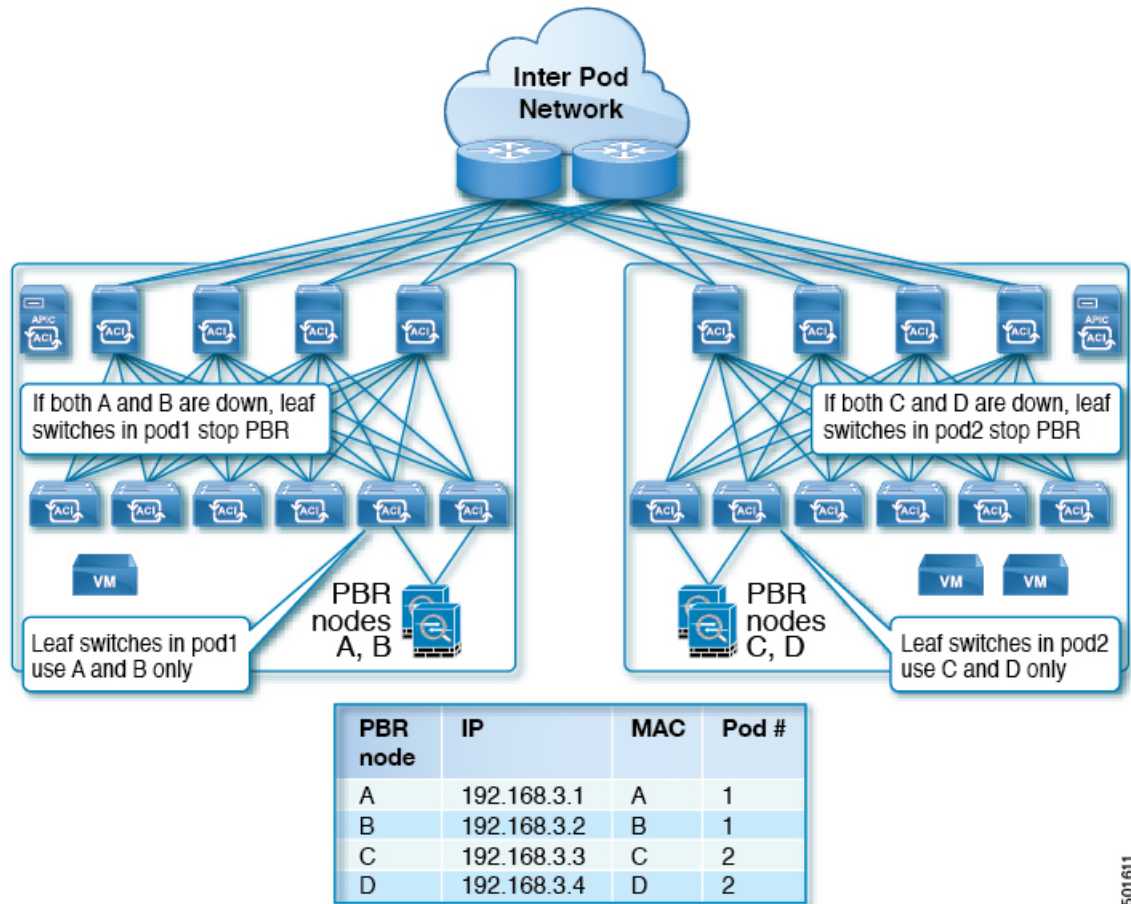
```
<polUni>
  <fvTenant name="t1" >
    <fvIPSLAMonitoringPol name="tcp_Freq60_Poll1" slaType="tcp" slaFrequency="60" slaPort="2222" />
    <vnsSvcCont>
      <vnsRedirectHealthGroup name="fwService1"/>
      <vnsSvcRedirectPol name="fwExt" hashingAlgorithm="sip" thresholdEnable="yes"
        minThresholdPercent="20" maxThresholdPercent="80">
        <vnsRedirectDest ip="40.40.40.100" mac="00:00:00:00:01">
          <vnsRsRedirectHealthGroup tDn="uni/tn-t1/svcCont/redirectHealthGroup-fwService1"/>
        </vnsRedirectDest>
        <vnsRsIPSLAMonitoringPol tDn="uni/tn-t1/ipslaMonitoringPol-tcp_Freq60_Poll1"/>
      </vnsSvcRedirectPol>
      <vnsSvcRedirectPol name="fwInt" hashingAlgorithm="sip" thresholdEnable="yes"
        minThresholdPercent="20" maxThresholdPercent="80">
        <vnsRedirectDest ip="30.30.30.100" mac="00:00:00:00:02">
          <vnsRsRedirectHealthGroup tDn="uni/tn-t1/svcCont/redirectHealthGroup-fwService1"/>
        </vnsRedirectDest>
        <vnsRsIPSLAMonitoringPol tDn="uni/tn-t1/ipslaMonitoringPol-tcp_Freq60_Poll1"/>
      </vnsSvcRedirectPol>
    </vnsSvcCont>
  </fvTenant>
</polUni>
```

About Location-Aware Policy Based Redirect

Location-Aware Policy Based Redirect (PBR) is now supported. This feature is useful in a multipod configuration scenario. Now there is pod-awareness support, and you can specify the preferred local PBR node. When you enable location-aware redirection, and Pod IDs are specified, all the redirect destinations in the Layer 4-Layer 7 PBR policy will have pod awareness. The redirect destination is programmed only in the leaf switches located in a specific pod.

The following image displays an example with two pods. PBR nodes A and B are in Pod 1 and PBR nodes C and D are in Pod 2. When you enable the location-aware PBR configuration, the leaf switches in Pod 1 prefer to use PBR nodes A and B, and the leaf switches in Pod 2 use PBR nodes in C and D. If PBR nodes A and B in Pod 1 are down, then the leaf switches in Pod 1 will start to use PBR nodes C and D. Similarly, if PBR nodes C and D in Pod 2 are down, the leaf switches in Pod 2 will start to use PBR nodes A and B.

Figure 10: An Example of Location Aware PBR Configuration with Two Pods



501611

Guidelines for Location-Aware PBR

Follow these guidelines when using location-aware PBR:

- The Cisco Nexus 9300 (except Cisco Nexus 9300–EX and 9300–FX) platform switches do not support the location-aware PBR feature.
- Use location-aware PBR for north-south firewall integration with GOLF host advertisement.
Use location-aware PBR for a contract that is enforced on the same leaf nodes for incoming and returning traffic, such as an intra-VRF contract for external-EPG-to-EPG and an inter-VRF contract for EPG-to-EPG traffic. Otherwise, there can be a loss of traffic symmetry.
- If multiple PBR policies have the same PBR destination IP address in the same VRF, then all of the policies must either have Pod ID aware redirection enabled or Pod ID aware redirection disabled. The same (VRF, IP address) pair cannot be used in Pod ID aware redirection enabled and Pod ID aware redirection disabled policies at the same time. For example, the following configuration is not supported:
 - PBR-policy1 has PBR destination 192.168.1.1 in VRF A, Pod ID aware redirection enabled, and 192.168.1.1 is set to POD 1.
 - PBR-policy2 has PBR destination 192.168.1.1 in VRF A and Pod ID aware redirection disabled.

Configuring Location-Aware PBR Using the GUI

You must program two items for this feature to be enabled. Enable pod ID aware redirection and associate the Pod IDs with the preferred PBR nodes to program redirect destinations in the leaf switches located in the specific pods.

-
- Step 1** On the menu bar, click **Tenant** > *tenant_name* . In the **Navigation** pane, click **Policies** > **Protocol** > **L4-L7 Policy Based Redirect** .
- Step 2** Right-click **L4 –L7 Policy Based Redirect**, and click **Create L4–L7 Policy Based Redirect**.
- Step 3** In the **Create L4–L7 Policy Based Redirect** dialog box, perform the following actions:
- In the **Name** field, enter a name for the PBR policy.
 - In the **Enable Pod ID Aware Redirection** check the check box.
 - In the dialog box, choose the appropriate settings to configure the hashing algorithm, IP SLA Monitoring Policy, and other required values.
 - In the threshold setting fields, specify the settings as appropriate and if desired.
 - Expand **Destinations** to display **Create Destination of Redirected Traffic**.
 - In the **Create Destination of Redirected Traffic** dialog box, enter the appropriate details including the **IP** address and the **MAC address** fields.

The fields for IP address and Second IP address are provided where you can specify an IPv4 address and an IPv6 address.
 - In the **Pod ID** field, enter the pod identification value.
 - In the **Redirect Health Group** field, associate an existing health group or create a new health group, as appropriate. Click **OK**.

Create additional destinations of redirected traffic with different Pod IDs as required.
 - In the **Create L4–L7 Policy Based Redirect** dialog box, click **Submit**.

The L4-L7 location-aware PBR is configured.
-

Configuring Location-Aware PBR Using the REST API

You must configure two items to enable location-aware PBR and to program redirect destinations in the leaf switches located in the specific pods. The attributes that are configured to enable location-aware PBR in the following example are: `programLocalPodOnly` and `podId`.

Configure location-aware PBR.

Example:

```
<polUni>
  <fvTenant name="coke" >
    <fvIPSLAMonitoringPol name="icmp_Freq60_Pol1" slaType="icmp" slaFrequency="60"/>
    <vnsSvcCont>
      <vnsRedirectHealthGroup name="fwService1"/>
      <vnsSvcRedirectPol name="fwExt" hashingAlgorithm="sip" thresholdEnable="yes"
minThresholdPercent="20" maxThresholdPercent="80" programLocalPodOnly="yes">
        <vnsRedirectDest ip="40.40.40.100" mac="00:00:00:00:00:01" podId="2">
```

```

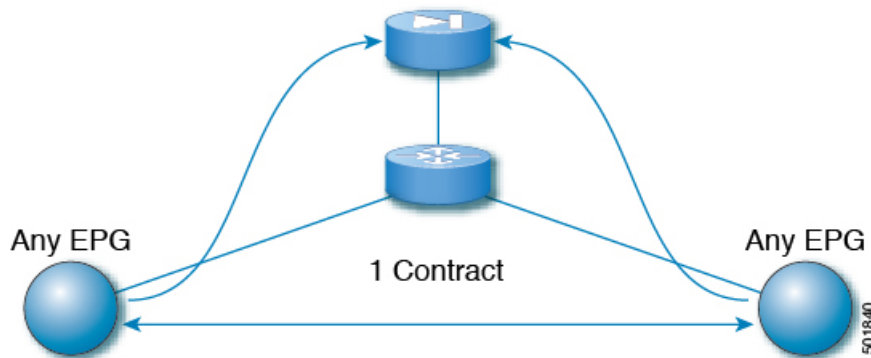
        <vnsRsRedirectHealthGroup tDn="uni/tn-coke/svcCont/redirectHealthGroup-fwService1"/>
    </vnsRedirectDest>
    <vnsRsIPSLAMonitoringPol tDn="uni/tn-coke/ipslaMonitoringPol-icmp_Freq60_Poll1"/>
</vnsSvcRedirectPol>
    <vnsSvcRedirectPol name="fwInt" hashingAlgorithm="dip" thresholdEnable="yes"
minThresholdPercent="20" maxThresholdPercent="80">
    <vnsRedirectDest ip="30.30.30.100" mac="00:00:00:00:00:02">
        <vnsRsRedirectHealthGroup tDn="uni/tn-coke/svcCont/redirectHealthGroup-fwService1"/>
    </vnsRedirectDest>
    <vnsRsIPSLAMonitoringPol tDn="uni/tn-coke/ipslaMonitoringPol-icmp_Freq60_Poll1"/>
</vnsSvcRedirectPol>
</vnsSvcCont>
</fvTenant>
</polUni>

```

Policy-Based Redirect and Service Graphs to Redirect All EPG-to-EPG Traffic Within the Same VRF Instance

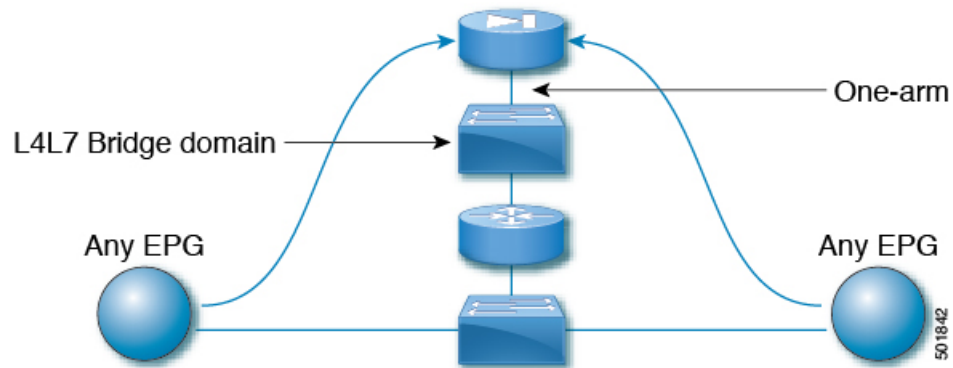
You can configure Cisco Application Centric Infrastructure (Cisco ACI) to forward all traffic from any endpoint group to any other endpoint group in the same VRF instance through a Layer 4 to Layer 7 device by configuring `vzAny` with service graph redirect. `vzAny` is a construct that represents all the endpoint groups under the same VRF instance. `vzAny` is sometimes referred to as "any EPG."

Figure 11: vzAny topology



Traffic between any endpoint group pair that is under the same VRF instance can be redirected to a Layer 4 to Layer 7 device, such as a firewall. You can also redirect traffic within the same bridge domain to a firewall. The firewall can filter traffic between any pair of endpoint groups, as illustrated in the following figure:

Figure 12: A firewall filtering traffic between any pair of EPGs

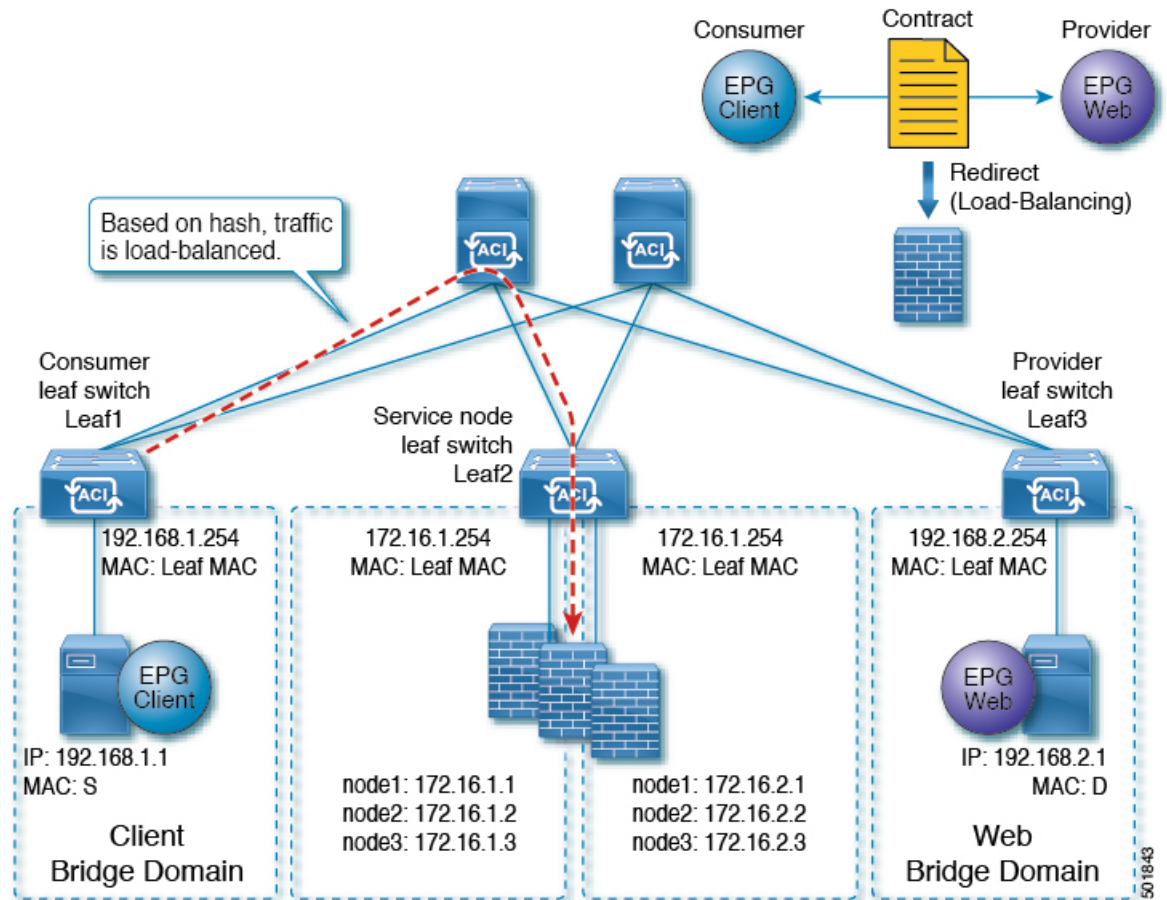


One use case of this functionality is to use Cisco ACI as a default gateway, but filter traffic through a firewall. With `vzAny` and a policy-based redirect policy, the security administrator manages the ACL rules and the network administrator manages routing and switching. Some of the benefits of this configuration include being able to use the Cisco Application Policy Infrastructure Controller's (Cisco APIC's) tools, such as endpoint tracking, first hop security with ARP inspection, or IP address source guard.

Applying a service graph with a policy-based redirect policy also enables the following functionality:

- Firewall clustering
- Firewall health tracking
- Location-aware redirection

Figure 13: Firewall clustering



Prior to the Cisco APIC 3.2 release, you could use `vzAny` as the consumer of a contract. Starting in the Cisco APIC 3.2 release, you can also use `vzAny` as the provider of a contract. This enhancement enables the following configurations:

- `vzAny` as the provider and `vzAny` as the consumer (policy-based redirect with one-arm only)
- `vzAny` as the provider and a regular endpoint group as the consumer (policy-based redirect and non-policy-based redirect case)

After you have applied a service graph with a policy-based redirect policy that redirects traffic using `vzAny`, if you want some traffic to bypass the firewall, such as for data backup traffic between two servers, you can create a more specific contract between the endpoint groups. For example, two endpoint groups can transmit traffic to one another directly over a given port. More specific rules win over the "any EPG to any EPG" redirect rule.

Guidelines and Limitations for Configuring a Policy-Based Redirect Policy with a Service Graph to Redirect All EPG-to-EPG Traffic Within the Same VRF Instance

The following guidelines and limitations apply when configuring a policy-based redirect policy with a service graph to redirect all EPG-to-EPG traffic within the same VRF instance:

- The Layer 4 to Layer 7 device and vzAny must belong to the same VRF instance.
- You must deploy the Layer 4 to Layer 7 device in one-arm mode.
- We generally recommend that you use a vzAny contract to enable PBR for many EPGs to many EPGs traffic instead of many EPGs consuming and providing the same contract. However, do not have a contract that has service graph attached as both the consumer and provider contract on the same EPG.

This recommendation is due to a possible impact on changing a configuration on a contract that has many provider and consumer EPGs. If one configuration change on the Cisco Application Policy Infrastructure Controller (APIC) is related to multiple zoning-rule changes at the same time, the Cisco APIC needs time to finish programming the hardware of a given leaf node.

- vzAny configured with a multinode service graph might work, but this configuration has not been tested and is unsupported; use at your own risk.
- You can only deploy the Layer 4 to Layer 7 device in unmanaged mode.
- The use in conjunction with VRF leaking is not implemented. You cannot have vzAny of a VRF instance providing or consuming a vzAny contract of another VRF instance.
- You can have a contract between endpoint groups and vzAny in different tenants as long as they belong to the same VRF instance, such as if the VRF instance is in tenant **Common**.
- In a multipod environment, you can use vzAny as a provider and consumer.
- In a Cisco ACI Multi-Site environment, you cannot use vzAny as a provider and consumer across sites.

Configuring a Policy-Based Redirect Policy with a Service Graph to Redirect All EPG-to-EPG Traffic Within the Same VRF Instance

The following procedure configures a policy-based redirect policy with service graphs to redirect all EPG-to-EPG traffic within the same VRF instance:

Step 1 Create the service bridge domain that you will dedicate to the connectivity of the Layer 4 to Layer 7 device.

For information about creating a bridge domain, see the *Cisco APIC Basic Configuration Guide*.

On the **STEP 1 > Main** screen:

- a) In the **VRF** drop-down list, choose the VRF instance that contains the endpoint groups.
- b) In the **Forwarding** drop-down list, if you choose **Custom**, then in the **L2 Unknown Unicast** drop-down list, you can choose **Flood** if desired.

On the **STEP 2 > L3 Configurations** screen:

- a) Ensure that there is a check in the **Unicast Routing** check box.
- b) In the **Subnets** table, create a subnet.

The **Gateway IP** address must be in the same subnet as the IP address that you will give to the Layer 4 to Layer 7 device interface.

- c) Remove the check from the **Endpoint Dataplane Learning** check box.

Step 2 Create the redirect policy.

- a) In the **Navigation** pane, choose **Tenant tenant_name > Networking > Policies > Protocol > L4-L7 Policy Based Redirect**.
- b) Right-click **L4-L7 Policy Based Redirect** and choose **Create L4-L7 Policy Based Redirect**.
- c) In the **Name** field, enter a name for the policy.
- d) In the **Destinations** table, click +.
- e) In the **Create Destination of Redirected Traffic** dialog, enter the following information:
 - **IP**—Enter the IP address that you will assign to the Layer 4 to Layer 7 device. The IP address must be in the same subnet as the IP address that you have given to the bridge domain.
 - **MAC**—Enter the MAC address that you will assign to the Layer 4 to Layer 7 device. You should use a MAC address that is valid also upon failover of the Layer 4 to Layer 7 device. For example, in the case of a ASA firewall, this is called a "virtual MAC."
- f) Enter any other desired values, then click **OK**.
- g) In the **Create L4-L7 Policy Based Redirect** dialog, enter any other desired values, then click **Submit**.

Step 3 Create the Layer 4 to Layer 7 device with one concrete interface and one logical interface.

For information about creating a Layer 4 to Layer 7 device, see [Configuring a Layer 4 to Layer 7 Services Device Using the GUI](#).

Step 4 Create the service graph template with route redirect enabled.

- a) In the **Navigation** pane, choose **Tenant tenant_name > Services > L4-L7 > Service Graph Template**.
- b) Right-click **Service Graph Template** and choose **Create Service Graph Template**.
- c) In the **Name** field, enter a name for the service graph.
- d) If you did not previously create the Layer 4 to Layer 7 device, in the **Device Clusters** pane, create the device.
- e) Drag and drop the Layer 4 to Layer 7 device from the **Device Clusters** pane to in-between the consumer EPG and provider EPG.
- f) For the **L4L7** radio buttons, click **Routed**.
- g) Put a check in the **Routed Redirect** check box.
- h) Click **Submit**.

Step 5 Apply the service graph to the vzAny (AnyEPG) endpoint group.

On the **STEP 1 > Contract** screen:

- a) In the **Navigation** pane, choose **Tenant tenant_name > Services > L4-L7 > Service Graph Template > service_graph_name**.
service_graph_name is the service graph template that you just created.
- b) Right-click the service graph template and choose **Apply L4-L7 Service Graph Template**.
- c) In the **Consumer EPG / External Network** drop-down list, choose the **AnyEPG** list item that corresponds to the tenant and VRF instance that you want to use for this use case.

For example, if the tenant is "tenant1" and the VRF instance is "vrf1," choose **tenant1/vrf1/AnyEPG**.

- d) In the **Provider EPG / Internal Network** drop-down list, choose the same **AnyEPG** list item that you chose for the consumer EPG.
- e) In the **Contract Name** field, enter a name for the contract.
- f) Click **Next**.

On the **STEP 2 > Graph** screen:

- a) For both **BD** drop-down lists, choose the Layer 4 to Layer 7 service bridge domain that you created in step 1.
 - b) For both **Redirect Policy** drop-down lists, choose the redirect policy that you created for this use case.
 - c) For the Consumer Connector **Cluster Interface** drop-down list, choose the cluster interface (logical interface) that you created in step 3.
 - d) For the Provider Connector **Cluster Interface** drop-down list, choose the same cluster interface (logical interface) that you created in step 3.
 - e) Click **Finish**.
-

