



C1-Secure Workload Cluster Device Cabling

- [C1-Workload Cluster Device Cabling, on page 1](#)
- [C1-Workload-M Cluster Device Cabling, on page 14](#)

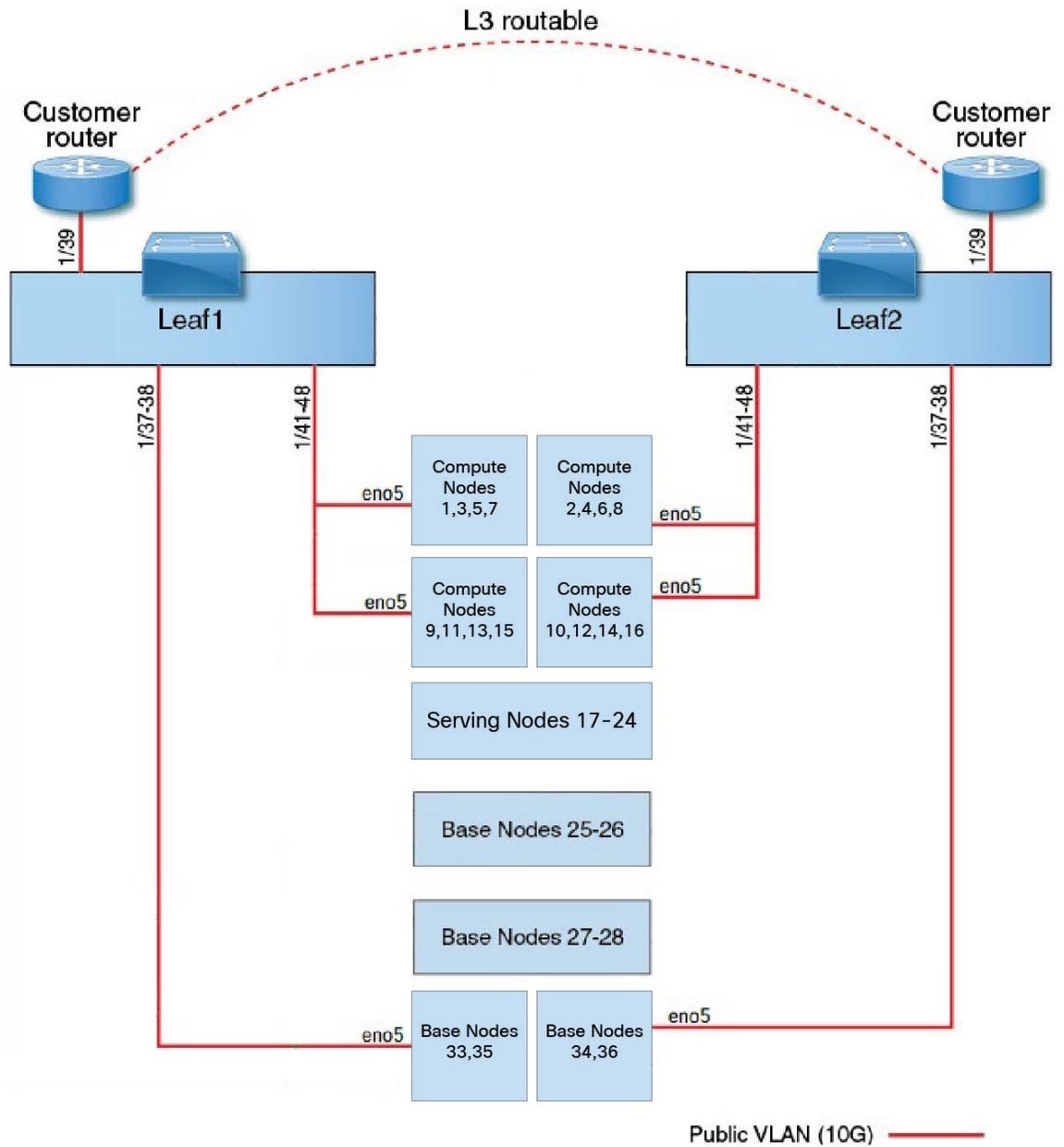
C1-Workload Cluster Device Cabling

Pay attention to the following configuration information when you cable the M6 Virtual Interface Card (VIC) on the 39-RU rack:

- There are two private interfaces for all nodes.
- The 39-RU rack has one public interface for 20 nodes.
- The M6 hardware has four ports per VIC.
- The names for the bare metal interface—the physical servers in the cluster known as the base, compute, and serving nodes—begin with "eno" (Ethernet onboard).

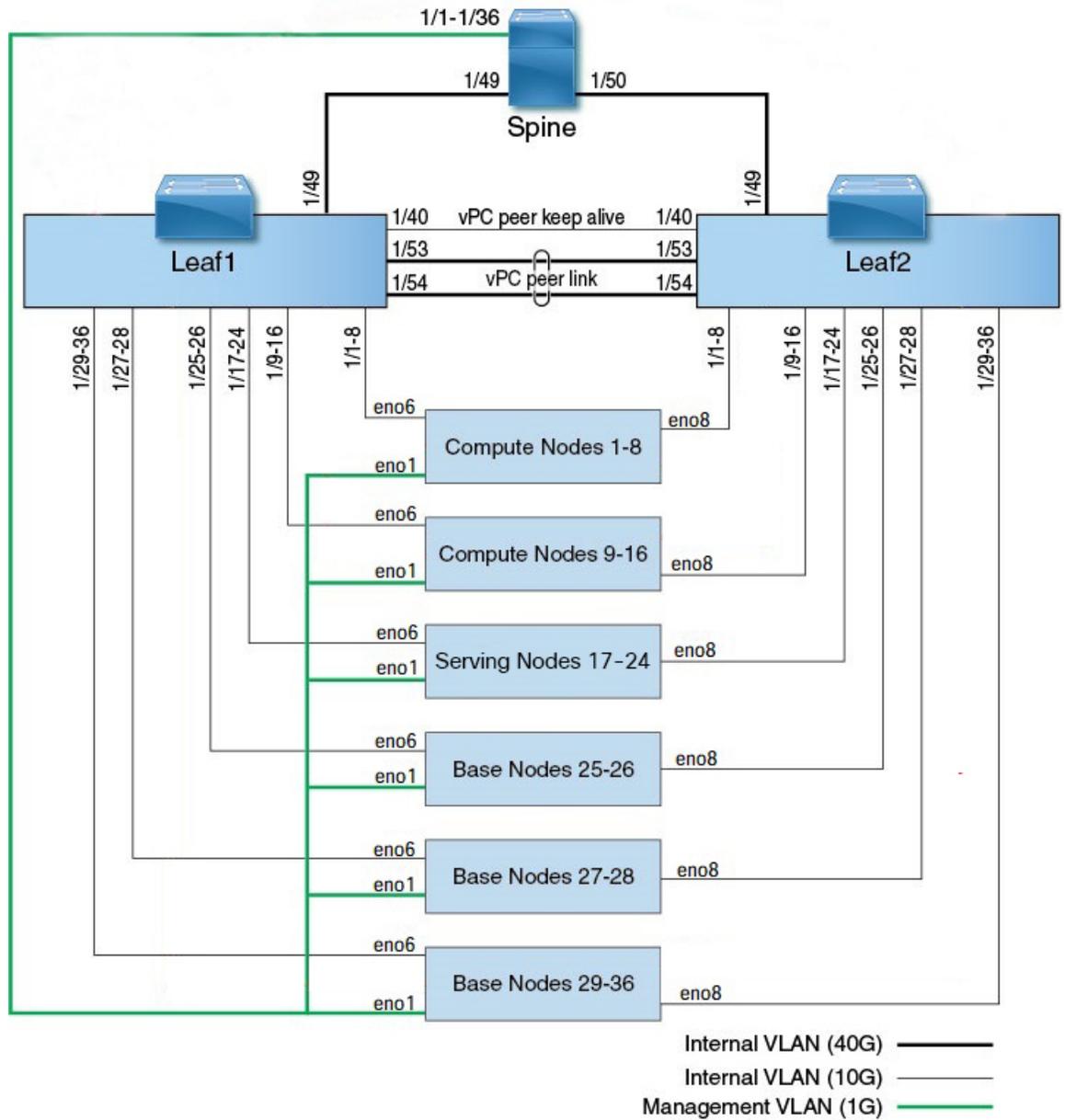
The following diagram shows the device cabling for the public/external configuration for the C1-Workload rack. For a detailed list of the connections, see the tables that follow the diagrams.

Figure 1: C1-Workload Rack Device Cabling (Public/External)



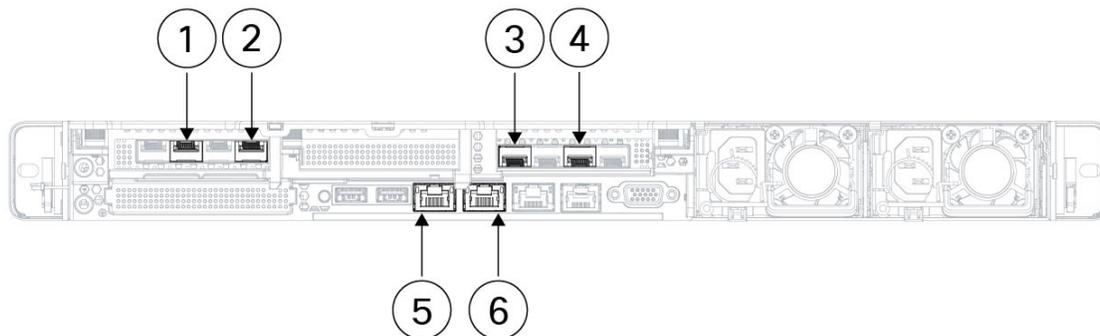
The following diagram shows the device cabling for the internal/management configuration for the C1-Workload rack. For a detailed list of the connections, see the following tables.

Figure 2: C1-Workload Rack Device Cabling (Internal/Management)



The following figure shows which ports on the M6 server correspond to the "eno" ports in the figures above:

Figure 3: M6 Server Ports



1	Leaf 1 or leaf 2 public depending on the server Server interface port = eno5 CIMC designation = adapter 1/physical port 2/vic-1-eth1	2	Leaf 1 private Server interface port = eno6 CIMC designation = adapter 1/physical port 0/vic-1-eth0
3	Leaf 2 private Server interface port = eno8 CIMC designation = adapter 3/physical port 0/vic-3-eth0	4	Not used Server interface port = eno7 CIMC designation = adapter 3/physical port 2/vic-3-eth1
5	CIMC Server interface port = eno1 CIMC designation = LOM 1	6	MGMT 2.2.2.2 Server interface port = eno2 CIMC designation = LOM 2

Table 1: Spine Switch Connections (RU 42 in Single-Rack Installations and in Dual-Rack Installations)

Spine Port	Connection Type	Connection			
		Device	RU in Single Rack	RU in Dual Rack	Port
1/1	CIMC VLAN (1 Gigabit)	UCS server host 1 (compute node)	RU 36	Rack1 RU 17	eno1
1/2	CIMC VLAN (1 Gigabit)	UCS server host 2 (compute node)	RU 35	Rack1 RU 16	eno1
1/3	CIMC VLAN (1 Gigabit)	UCS server host 3 (compute node)	RU 34	Rack1 RU 15	eno1
1/4	CIMC VLAN (1 Gigabit)	UCS server host 4 (compute node)	RU 33	Rack1 RU 14	eno1
1/5	CIMC VLAN (1 Gigabit)	UCS server host 5 (compute node)	RU 32	Rack1 RU 13	eno1

Spine Port	Connection Type	Connection			
		Device	RU in Single Rack	RU in Dual Rack	Port
1/6	CIMC VLAN (1 Gigabit)	UCS server host 6 (compute node)	RU 31	Rack 1 RU 12	eno1
1/7	CIMC VLAN (1 Gigabit)	UCS server host 7 (compute node)	RU 30	Rack 1 RU 11	eno1
1/8	CIMC VLAN (1 Gigabit)	UCS server host 8 (compute node)	RU 29	Rack 1 RU 10	eno1
1/9	CIMC VLAN (1 Gigabit)	UCS server host 9 (compute node)	RU 28	Rack 1 RU 8	eno1
1/10	CIMC VLAN (1 Gigabit)	UCS server host 10 (compute node)	RU 27	Rack 1 RU 7	eno1
1/11	CIMC VLAN (1 Gigabit)	UCS server host 11 (compute node)	RU 26	Rack 1 RU 6	eno1
1/12	CIMC VLAN (1 Gigabit)	UCS server host 12 (compute node)	RU 25	Rack 1 RU 5	eno1
1/13	CIMC VLAN (1 Gigabit)	UCS server host 13 (compute node)	RU 24	Rack 1 RU 4	eno1
1/14	CIMC VLAN (1 Gigabit)	UCS server host 14 (compute node)	RU 23	Rack 1 RU 3	eno1
1/15	CIMC VLAN (1 Gigabit)	UCS server host 15 (compute node)	RU 22	Rack 1 RU 2	eno1
1/16	CIMC VLAN (1 Gigabit)	UCS server host 16 (compute node)	RU 21	Rack 1 RU 1	eno1
1/17	CIMC VLAN (1 Gigabit)	UCS server host 17 (serving node)	RU 20	Rack 2 RU 21	eno1
1/18	CIMC VLAN (1 Gigabit)	UCS server host 18 (serving node)	RU 19	Rack 2 RU 20	eno1
1/19	CIMC VLAN (1 Gigabit)	UCS server host 19 (serving node)	RU 18	Rack 2 RU 19	eno1
1/20	CIMC VLAN (1 Gigabit)	UCS server host 20 (serving node)	RU 17	Rack 2 RU 18	eno1
1/21	CIMC VLAN (1 Gigabit)	UCS server host 21 (serving node)	RU 16	Rack 2 RU 17	eno1

Spine Port	Connection Type	Connection			
		Device	RU in Single Rack	RU in Dual Rack	Port
1/22	CIMC VLAN (1 Gigabit)	UCS server host 22 (serving node)	RU 15	Rack2 RU 16	eno1
1/23	CIMC VLAN (1 Gigabit)	UCS server host 23 (serving node)	RU 14	Rack2 RU 15	eno1
1/24	CIMC VLAN (1 Gigabit)	UCS server host 24 (serving node)	RU 13	Rack2 RU 14	eno1
1/25	CIMC VLAN (1 Gigabit)	UCS server host 25 (base node)	RU 12	Rack2 RU 12	eno1
1/26	CIMC VLAN (1 Gigabit)	UCS server host 26 (base node)	RU 11	Rack2 RU 11	eno1
1/27	CIMC VLAN (1 Gigabit)	UCS server host 27 (base node)	RU 10	Rack2 RU 10	eno1
1/28	CIMC VLAN (1 Gigabit)	UCS server host 28 (base node)	RU 9	Rack2 RU 9	eno1
1/29	CIMC VLAN (1 Gigabit)	UCS server host 29 (base node)	RU 8	Rack2 RU 8	eno1
1/30	CIMC VLAN (1 Gigabit)	UCS server host 30 (base node)	RU 7	Rack2 RU 7	eno1
1/31	CIMC VLAN (1 Gigabit)	UCS server host 31 (base node)	RU 6	Rack2 RU 6	eno1
1/32	CIMC VLAN (1 Gigabit)	UCS server host 32 (base node)	RU 5	Rack2 RU 5	eno1
1/33	CIMC VLAN (1 Gigabit)	UCS server host 33 (base node)	RU 4	Rack2 RU 4	eno1
1/34	CIMC VLAN (1 Gigabit)	UCS server host 34 (base node)	RU 3	Rack2 RU 3	eno1
1/35	CIMC VLAN (1 Gigabit)	UCS server host 35 (base node)	RU 2	Rack2 RU 2	eno1
1/36	CIMC VLAN (1 Gigabit)	UCS server host 36 (base node)	RU 1	Rack2 RU 1	eno1
1/49	Internal VLAN (40 Gigabit)	Leaf switch 1 (RU 41 in single rack or RU 40 in rack 1 of dual rack)	RU 40	Rack1 RU 40	1/49

Spine Port	Connection Type	Connection			
		Device	RU in Single Rack	RU in Dual Rack	Port
1/50	Internal VLAN (40 Gigabit)	Leaf switch 2 (RU 40 in single rack or RU 40 of rack 2 in dual rack) port 49	RU 41	Rack 2 RU 40	1/50

Table 2: Leaf Switch 1 Connections (RU 41 in Single-Rack Installations or RU 40 in Rack 1 of Dual-Rack Installations)

Leaf 1 Port	Connection Type	Connection			
		Device	RU in Single Rack	RU in Dual Rack	Port
1/1	Internal VLAN (10 Gigabit)	UCS server host 1 (compute node)	RU 36	Rack 1 RU 17	eno6
1/2	Internal VLAN (10 Gigabit)	UCS server host 2 (compute node)	RU 35	Rack 1 RU 16	eno6
1/3	Internal VLAN (10 Gigabit)	UCS server host 3 (compute node)	RU 34	Rack 1 RU 15	eno6
1/4	Internal VLAN (10 Gigabit)	UCS server host 4 (compute node)	RU 33	Rack 1 RU 14	eno6
1/5	Internal VLAN (10 Gigabit)	UCS server host 5 (compute node)	RU 32	Rack 1 RU 13	eno6
1/6	Internal VLAN (10 Gigabit)	UCS server host 6 (compute node)	RU 31	Rack 1 RU 12	eno6
1/7	Internal VLAN (10 Gigabit)	UCS server host 7 (compute node)	RU 30	Rack 1 RU 11	eno6
1/8	Internal VLAN (10 Gigabit)	UCS server host 8 (compute node)	RU 29	Rack 1 RU 10	eno6
1/9	Internal VLAN (10 Gigabit)	UCS server host 9 (compute node)	RU 28	Rack 1 RU 8	eno6
1/10	Internal VLAN (10 Gigabit)	UCS server host 10 (compute node)	RU 27	Rack 1 RU 7	eno6
1/11	Internal VLAN (10 Gigabit)	UCS server host 11 (compute node)	RU 26	Rack 1 RU 6	eno6
1/12	Internal VLAN (10 Gigabit)	UCS server host 12 (compute node)	RU 25	Rack 1 RU 5	eno6
1/13	Internal VLAN (10 Gigabit)	UCS server host 13 (compute node)	RU 24	Rack 1 RU 4	eno6

Leaf 1 Port	Connection Type	Connection			
		Device	RU in Single Rack	RU in Dual Rack	Port
1/14	Internal VLAN (10 Gigabit)	UCS server host 14 (compute node)	RU 23	Rack1 RU 3	eno6
1/15	Internal VLAN (10 Gigabit)	UCS server host 15 (compute node)	RU 22	Rack1 RU 2	eno6
1/16	Internal VLAN (10 Gigabit)	UCS server host 16 (compute node)	RU 21	Rack1 RU 1	eno6
1/17	Internal VLAN (10 Gigabit)	UCS server host 17 (serving node)	RU 20	Rack2 RU 21	eno6
1/18	Internal VLAN (10 Gigabit)	UCS server host 18 (serving node)	RU 19	Rack2 RU 20	eno6
1/19	Internal VLAN (10 Gigabit)	UCS server host 19 (serving node)	RU 18	Rack2 RU 19	eno6
1/20	Internal VLAN (10 Gigabit)	UCS server host 20 (serving node)	RU 17	Rack2 RU 18	eno6
1/21	Internal VLAN (10 Gigabit)	UCS server host 21 (serving node)	RU 16	Rack2 RU 17	eno6
1/22	Internal VLAN (10 Gigabit)	UCS server host 22 (serving node)	RU 15	Rack2 RU 16	eno6
1/23	Internal VLAN (10 Gigabit)	UCS server host 23 (serving node)	RU 14	Rack2 RU 15	eno6
1/24	Internal VLAN (10 Gigabit)	UCS server host 24 (serving node)	RU 13	Rack2 RU 14	eno6
1/25	Internal VLAN (10 Gigabit)	UCS server host 25 (base node)	RU 12	Rack2 RU 12	eno6
1/26	Internal VLAN (10 Gigabit)	UCS server host 26 (base node)	RU 11	Rack2 RU 11	eno6
1/27	Internal VLAN (10 Gigabit)	UCS server host 27 (base node)	RU 10	Rack2 RU 10	eno6
1/28	Internal VLAN (10 Gigabit)	UCS server host 28 (base node)	RU 9	Rack2 RU 9	eno6
1/29	Internal VLAN (10 Gigabit)	UCS server host 29 (base node)	RU 8	Rack2 RU 8	eno6
1/30	Internal VLAN (10 Gigabit)	UCS server host 30 (base node)	RU 7	Rack2 RU 7	eno6

Leaf 1 Port	Connection Type	Connection			
		Device	RU in Single Rack	RU in Dual Rack	Port
1/31	Internal VLAN (10 Gigabit)	UCS server host 31 (base node)	RU 6	Rack2 RU 6	eno6
1/32	Internal VLAN (10 Gigabit)	UCS server host 32 (base node)	RU 5	Rack2 RU 5	eno6
1/33	Internal VLAN (10 Gigabit)	UCS server host 33 (base node)	RU 4	Rack2 RU 4	eno6
1/34	Internal VLAN (10 Gigabit)	UCS server host 34 (base node)	RU 3	Rack2 RU 3	eno6
1/35	Internal VLAN (10 Gigabit)	UCS server host 35 (base node)	RU 2	Rack2 RU 2	eno6
1/36	Internal VLAN (10 Gigabit)	UCS server host 36 (base node)	RU 1	Rack2 RU 1	eno6
1/37	Public VLAN (10 Gigabit)	UCS server host 33 (base node)	RU 3	Rack2 RU 3	eno5
1/38	Public VLAN (10 Gigabit)	UCS server host 35 (base node)	RU 1	Rack2 RU 1	eno5
1/39	Internal VLAN (10 Gigabit)	Customer router 1	—	—	—
1/40	Internal VLAN (10 Gigabit)	Leaf 1	RU 40	Rack 1 RU 40	1/40
1/41	Public VLAN (10 Gigabit)	UCS server host 1 (compute node)	RU 35	Rack 1 RU 16	eno5
1/42	Public VLAN (10 Gigabit)	UCS server host 3 (compute node)	RU 33	Rack 1 RU 14	eno5
1/43	Public VLAN (10 Gigabit)	UCS server host 5 (compute node)	RU 31	Rack 1 RU 12	eno5
1/44	Public VLAN (10 Gigabit)	UCS server host 7 (compute node)	RU 29	Rack 1 RU 10	eno5
1/45	Public VLAN (10 Gigabit)	UCS server host 9 (compute node)	RU 27	Rack 1 RU 8	eno5
1/46	Public VLAN (10 Gigabit)	UCS server host 11 (compute node)	RU 25	Rack 1 RU 6	eno5

Leaf 1 Port	Connection Type	Connection			
		Device	RU in Single Rack	RU in Dual Rack	Port
1/47	Public VLAN (10 Gigabit)	UCS server host 13 (compute node)	RU 23	Rack 1 RU 4	eno5
1/48	Public VLAN (10 Gigabit)	UCS server host 15 (compute node)	RU 21	Rack 1 RU 2	eno5
1/49	Internal VLAN (40 Gigabit)	Spine switch	RU 42	Rack 1 RU 42	1/49
1/50	—	—	—	—	—
1/51	—	—	—	—	—
1/52	—	—	—	—	—
1/53	Internal VLAN (40 Gigabit)	Leaf switch 1	RU 40	Rack 1 RU 40	1/53
1/54	Internal VLAN (40 Gigabit)	Leaf switch 1	RU 40	Rack 1 RU 40	1/54

Table 3: Leaf Switch 2 Connections (RU 41 in Single-Rack Installations or RU 40 in Rack 2 of Dual-Rack Installations)

Leaf 2 Port	Connection Type	Connection			
		Device	RU in Single Rack	RU in Dual Rack	Port
1/1	Internal VLAN (10 Gigabit)	UCS server host 1 (compute node)	RU 36	Rack 1 RU 17	eno8
1/2	Internal VLAN (10 Gigabit)	UCS server host 2 (compute node)	RU 35	Rack 1 RU 16	eno8
1/3	Internal VLAN (10 Gigabit)	UCS server host 3 (compute node)	RU 34	Rack 1 RU 15	eno8
1/4	Internal VLAN (10 Gigabit)	UCS server host 4 (compute node)	RU 33	Rack 1 RU 14	eno8
1/5	Internal VLAN (10 Gigabit)	UCS server host 5 (compute node)	RU 32	Rack 1 RU 13	eno8
1/6	Internal VLAN (10 Gigabit)	UCS server host 6 (compute node)	RU 31	Rack 1 RU 12	eno8

Leaf 2 Port	Connection Type	Connection			
		Device	RU in Single Rack	RU in Dual Rack	Port
1/7	Internal VLAN (10 Gigabit)	UCS server host 7 (compute node7)	RU 30	Rack 1 RU 11	eno8
1/8	Internal VLAN (10 Gigabit)	UCS server host 8 (compute node)	RU 29	Rack 1 RU 10	eno8
1/9	Internal VLAN (10 Gigabit)	UCS server host 9 (compute node)	RU 28	Rack 1 RU 8	eno8
1/10	Internal VLAN (10 Gigabit)	UCS server host 10 (compute node)	RU 27	Rack 1 RU 7	eno8
1/11	Internal VLAN (10 Gigabit)	UCS server host 11 (compute node)	RU 26	Rack 1 RU 6	eno8
1/12	Internal VLAN (10 Gigabit)	UCS server host 12 (compute node)	RU 25	Rack 1 RU 5	eno8
1/13	Internal VLAN (10 Gigabit)	UCS server host 13 (compute node)	RU 24	Rack 1 RU 4	eno8
1/14	Internal VLAN (10 Gigabit)	UCS server host 14 (compute node)	RU 23	Rack 1 RU 3	eno8
1/15	Internal VLAN (10 Gigabit)	UCS server host 15 (compute node)	RU 22	Rack 1 RU 2	eno8
1/16	Internal VLAN (10 Gigabit)	UCS server host 16 (compute node)	RU 21	Rack 1 RU 1	eno8
1/17	Internal VLAN (10 Gigabit)	UCS server host 17 (serving node)	RU 20	Rack 2 RU 21	eno8
1/18	Internal VLAN (10 Gigabit)	UCS server host 18 (serving node)	RU 19	Rack 2 RU 20	eno8
1/19	Internal VLAN (10 Gigabit)	UCS server host 19 (serving node)	RU 18	Rack 2 RU 19	eno8
1/20	Internal VLAN (10 Gigabit)	UCS server host 20 (serving node)	RU 17	Rack 2 RU 18	eno8
1/21	Internal VLAN (10 Gigabit)	UCS server host 21 (serving node)	RU 16	Rack 2 RU 17	eno8
1/22	Internal VLAN (10 Gigabit)	UCS server host 22 (serving node)	RU 15	Rack 2 RU 16	eno8

Leaf 2 Port	Connection Type	Connection			
		Device	RU in Single Rack	RU in Dual Rack	Port
1/23	Internal VLAN (10 Gigabit)	UCS server host 23 (serving node)	RU 14	Rack2 RU 15	eno8
1/24	Internal VLAN (10 Gigabit)	UCS server host 24 (serving node)	RU 13	Rack2 RU 14	eno8
1/25	Internal VLAN (10 Gigabit)	UCS server host 25 (base node)	RU 12	Rack2 RU 12	eno8
1/26	Internal VLAN (10 Gigabit)	UCS server host 26 (base node)	RU 11	Rack2 RU 11	eno8
1/27	Internal VLAN (10 Gigabit)	UCS server host 27 (base node)	RU 10	Rack2 RU 10	eno8
1/28	Internal VLAN (10 Gigabit)	UCS server host 28 (base node)	RU 9	Rack2 RU 9	eno8
1/29	Internal VLAN (10 Gigabit)	UCS server host 29 (base node)	RU 8	Rack2 RU 8	eno8
1/30	Internal VLAN (10 Gigabit)	UCS server host 30 (base node)	RU 7	Rack2 RU 7	eno8
1/31	Internal VLAN (10 Gigabit)	UCS server host 31 (base node)	RU 6	Rack2 RU 6	eno8
1/32	Internal VLAN (10 Gigabit)	UCS server host 32 (base node)	RU 5	Rack2 RU 5	eno8
1/33	Internal VLAN (10 Gigabit)	UCS server host 33 (base node)	RU 4	Rack2 RU 4	eno8
1/34	Internal VLAN (10 Gigabit)	UCS server host 34 (base node)	RU 3	Rack2 RU 3	eno8
1/35	Internal VLAN (10 Gigabit)	UCS server host 35 (base node)	RU 2	Rack2 RU 2	eno8
1/36	Internal VLAN (10 Gigabit)	UCS server host 36 (base node)	RU 1	Rack2 RU 1	eno8
1/37	Public VLAN (10 Gigabit)	UCS server host 34 (base node)	RU 4	Rack2 RU 8	eno5
1/38	Public VLAN (10 Gigabit)	UCS server host 36 (base node)	RU 2	Rack2 RU 6	eno5
1/39	Internal VLAN (10 Gigabit)	Customer router 1	—	—	—

Leaf 2 Port	Connection Type	Connection			
		Device	RU in Single Rack	RU in Dual Rack	Port
1/40	Internal VLAN (10 Gigabit)	Leaf switch 2	RU 41	Rack 2 RU 40	1/40
1/41	Public VLAN (10 Gigabit)	UCS server host 2 (compute node)	RU 36	Rack 1 RU 17	eno5
1/42	Public VLAN (10 Gigabit)	UCS server host 4 (compute node)	RU 34	Rack 1 RU 15	eno5
1/43	Public VLAN (10 Gigabit)	UCS server host 6 (compute node)	RU 32	Rack 1 RU 13	eno5
1/44	Public VLAN (10 Gigabit)	UCS server host 8 (compute node)	RU 30	Rack 1 RU 11	eno5
1/45	Public VLAN (10 Gigabit)	UCS server host 10 (compute node)	RU 28	Rack 1 RU 9	eno5
1/46	Public VLAN (10 Gigabit)	UCS server host 12 (compute node)	RU 26	Rack 1 RU 7	eno5
1/47	Public VLAN (10 Gigabit)	UCS server host 14 (compute node)	RU 24	Rack 1 RU 5	eno5
1/48	Public VLAN (10 Gigabit)	UCS server host 16 (compute node)	RU 22	Rack 1 RU 3	eno5
1/49	Internal VLAN (40 Gigabit)	Spine switch	RU 42	Rack 1 RU 42	—
1/50	—	—	—	—	1/50
1/51	—	—	—	—	—
1/52	—	—	—	—	—
1/53	Internal VLAN (40 Gigabit)	Leaf 1 switch	RU 40	Rack 1 RU 40	1/49
1/54	Internal VLAN (40 Gigabit)	Leaf 2 switch	RU 41	Rack 2 RU 40	1/50

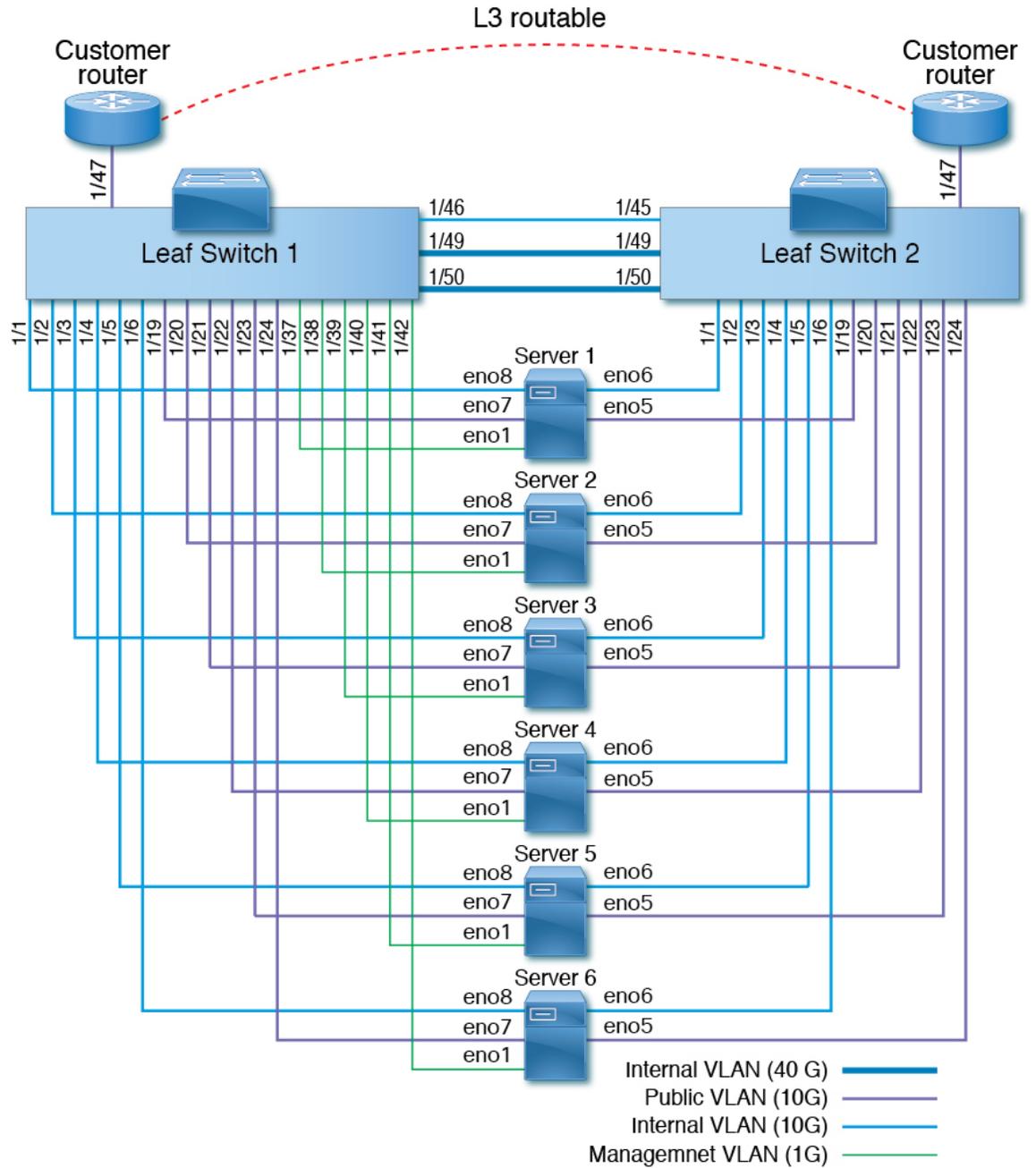
C1-Workload-M Cluster Device Cabling

To cable the M6 VIC on the 8-RU rack, pay attention to the following configuration information:

- There are two private interfaces for all nodes.
- The 8-RU rack has two public interfaces for all six nodes.
- The M6 hardware has four ports per VIC.
- The names for the bare metal interface—the physical server in the cluster known as the universal nodes—begin with "eno" (Ethernet onboard).

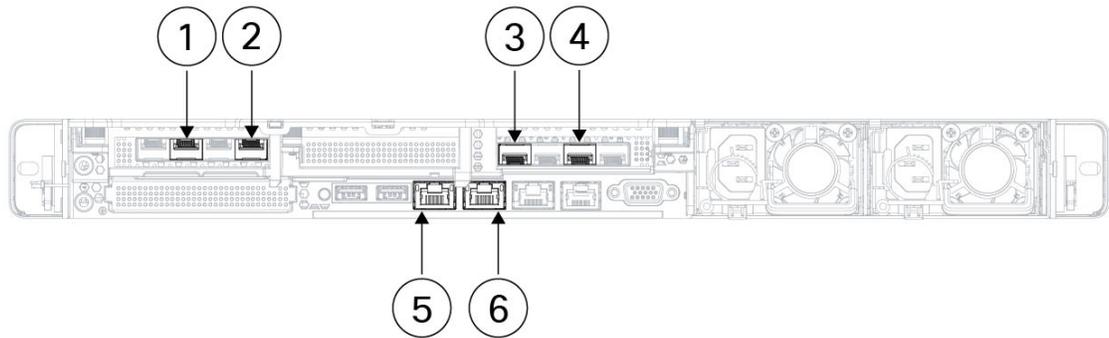
The following diagram shows the device cabling for the internal/management/public/external configuration of the C1-Workload-M Cluster 8-RU rack. For a detailed list of the connections, see the tables that follow the diagram.

Figure 4: C1-Workload-M Cluster Rack Device Cabling (Internal/Management/Public/External)



The following figure shows which ports on the server correspond to the "eno" ports in the diagram above:

Figure 5: M6 Server Ports



1	Leaf 2 public Server interface port = eno5 CIMC designation = adapter 1/physical port 2/vic-1-eth1	2	Leaf 2 private Server interface port = eno6 CIMC designation = adapter 1/physical port 0/vic-1-eth0
3	Leaf 1 private Server interface port = eno8 CIMC designation = adapter 3/physical port 0/vic-3-eth0	4	Leaf 1 public Server interface port = eno7 CIMC designation = adapter 3/physical port 2/vic3-eth1
5	CIMC Server interface port = eno1 CIMC designation = LOM 1	6	MGMT 2.2.2.2 Server interface port = eno2 CIMC designation = LOM 2

Table 4: Leaf Switch 1 (RU 12) Connections

Leaf Port	Connection Type	Connection		
		Device	RU in Single Rack	Port
1/1	Internal VLAN (10 Gigabit)	UCS server host 1 (universal node)	RU 9	eno8
1/2	Internal VLAN (10 Gigabit)	UCS server host 2 (universal node)	RU 8	eno8
1/3	Internal VLAN (10 Gigabit)	UCS server host 3 (universal node)	RU 6	eno8
1/4	Internal VLAN (10 Gigabit)	UCS server host 4 (universal node)	RU 5	eno8
1/5	Internal VLAN (10 Gigabit)	UCS server host 5 (universal node)	RU 3	eno8
1/6	Internal VLAN (10 Gigabit)	UCS server host 6 (universal node)	RU 2	eno8
1/7	—	—	—	—
1/8	—	—	—	—

Leaf Port	Connection Type	Connection		
		Device	RU in Single Rack	Port
1/9	—	—	—	—
1/10	—	—	—	—
1/11	—	—	—	—
1/12	—	—	—	—
1/13	—	—	—	—
1/14	—	—	—	—
1/15	—	—	—	—
1/16	—	—	—	—
1/17	—	—	—	—
1/18	—	—	—	—
1/19	External VLAN (10 Gigabit)	UCS server host 1 (universal node)	RU 9	eno7
1/20	External VLAN (10 Gigabit)	UCS server host 2 (universal node)	RU 8	eno7
1/21	External VLAN (10 Gigabit)	UCS server host 3 (universal node)	RU 6	eno7
1/22	External VLAN (10 Gigabit)	UCS server host 4 (universal node)	RU 5	eno7
1/23	External VLAN (10 Gigabit)	UCS server host 5 (universal node)	RU 3	eno7
1/24	External VLAN (10 Gigabit)	UCS server host 6 (universal node)	RU 2	eno7
1/25	—	—	—	—
1/26	—	—	—	—
1/27	—	—	—	—
1/28	—	—	—	—
1/29	—	—	—	—
1/30	—	—	—	—
1/31	—	—	—	—
1/32	—	—	—	—
1/33	—	—	—	—

Leaf Port	Connection Type	Connection		
		Device	RU in Single Rack	Port
1/34	—	—	—	—
1/35	—	—	—	—
1/36	—	—	—	—
1/37	Management VLAN (1 Gigabit)	UCS server host 1 (universal node)	RU 9	eno1
1/38	Management VLAN (1 Gigabit)	UCS server host 2 (universal node)	RU 8	eno1
1/39	Management VLAN (1 Gigabit)	UCS server host 3 (universal node)	RU 6	eno1
1/40	Management VLAN (1 Gigabit)	UCS server host 4 (universal node)	RU 5	eno1
1/41	Management VLAN (1 Gigabit)	UCS server host 5 (universal node)	RU 3	eno1
1/42	Management VLAN (1 Gigabit)	UCS server host 6 (universal node)	RU 2	eno1
1/43	—	—	—	—
1/44	—	—	—	—
1/45	—	—	—	—
1/46	Internal VLAN (10 Gigabit)	Leaf 2 switch	RU 11	1/45
1/47	External VLAN (10 Gigabit)	Customer router	—	—
1/48	—	—	—	—
1/49	Internal VLAN (40 Gigabit)	Leaf 2 switch	RU 11	1/49
1/50	Internal VLAN (40 Gigabit)	Leaf 2 switch	RU 11	1/50
1/51	—	—	—	—
1/52	—	—	—	—
1/53	—	—	—	—
1/54	—	—	—	—

Table 5: Leaf Switch 2 (RU 11) Connections

Leaf Port	Connection Type	Connection		
		Device	RU in Single Rack	Port
1/1	Internal VLAN (10 Gigabit)	UCS server host 1 (universal node)	9 RU	eno6
1/2	Internal VLAN (10 Gigabit)	UCS server host 2 (universal node)	8 RU	eno6
1/3	Internal VLAN (10 Gigabit)	UCS server host 3 (universal node)	6 RU	eno6
1/4	Internal VLAN (10 Gigabit)	UCS server host 4 (universal node)	5 RU	eno6
1/5	Internal VLAN (10 Gigabit)	UCS server host 5 (universal node)	3 RU	eno6
1/6	Internal VLAN (10 Gigabit)	UCS server host 6 (universal node)	2 RU	eno6
1/7	—	—	—	—
1/8	—	—	—	—
1/9	—	—	—	—
1/10	—	—	—	—
1/11	—	—	—	—
1/12	—	—	—	—
1/13	—	—	—	—
1/14	—	—	—	—
1/15	—	—	—	—
1/16	—	—	—	—
1/17	—	—	—	—
1/18	—	—	—	—
1/19	External VLAN (10 Gigabit)	UCS server host 1 (universal node)	9 RU	eno5
1/20	External VLAN (10 Gigabit)	UCS server host 2 (universal node)	8 RU	eno5
1/21	External VLAN (10 Gb)	UCS server host 3 (universal node)	6 RU	eno5
1/22	External VLAN (10 Gigabit)	UCS server host 4 (universal node)	5 RU	eno5
1/23	External VLAN (10 Gigabit)	UCS server host 5 (universal node)	3 RU	eno5
1/24	External VLAN (10 Gigabit)	UCS server host 6 (universal node)	2 RU	eno5
1/25	—	—	—	—

Leaf Port	Connection Type	Connection		
		Device	RU in Single Rack	Port
1/26	—	—	—	—
1/27	—	—	—	—
1/28	—	—	—	—
1/29	—	—	—	—
1/30	—	—	—	—
1/31	—	—	—	—
1/32	—	—	—	—
1/33	—	—	—	—
1/34	—	—	—	—
1/35	—	—	—	—
1/36	—	—	—	—
1/37	—	—	—	—
1/38	—	—	—	—
1/39	—	—	—	—
1/40	—	—	—	—
1/41	—	—	—	—
1/42	—	—	—	—
1/43	—	—	—	—
1/44	—	—	—	—
1/45	Internal VLAN (10 Gigabit)	Leaf 1 switch	12 RU	1/46
1/46	—	—	—	—
1/47	External VLAN (10 Gigabit)	Customer router	—	—
1/48	—	—	—	—
1/49	Internal VLAN (40 Gigabit)	Leaf 1 switch	12 RU	1/49
1/50	Internal VLAN (40 Gigabit)	Leaf 1 switch	12 RU	1/50
1/51	—	—	—	—

Leaf Port	Connection Type	Connection		
		Device	RU in Single Rack	Port
1/52	—	—	—	—
1/53	—	—	—	—
1/54	—	—	—	—

