



Overview

This chapter describes the Cisco Video Surveillance pan, tilt, and zoom (PTZ) IP cameras, and includes the following topics:

- [Introduction, page 1-1](#)
- [Package Contents, page 1-2](#)
- [PTZ IP Camera Physical Details, page 1-3](#)

Introduction

The Cisco Video Surveillance PTZ IP cameras are primarily used for monitoring wide open outdoor areas such as building entrances, airports, highways, and parking lots.

The dome cover protects the camera body against rain and dust. The wide temperature range allows the camera to operate under extreme weather conditions.

The following PTZ IP cameras are available:

- Cisco Video Surveillance SD Outdoor 2830 PTZ IP Camera, NTSC
- Cisco Video Surveillance SD Outdoor 2835 PTZ IP Camera, PAL
- Cisco Video Surveillance HD Outdoor 6930 PTZ IP Camera

For installers, properly adjusting the focus of an HD IP camera can be difficult due to the image detail. To make installation and adjustment easier, the PTZ IP camera incorporates built-in stepping motors that the installer can use to remotely control the focal length and precisely adjust the camera focus.

For complete installation and tampering prevention, the PTZ IP camera also fits different conduits and corrugated tubes sizes for cable installation.

Package Contents

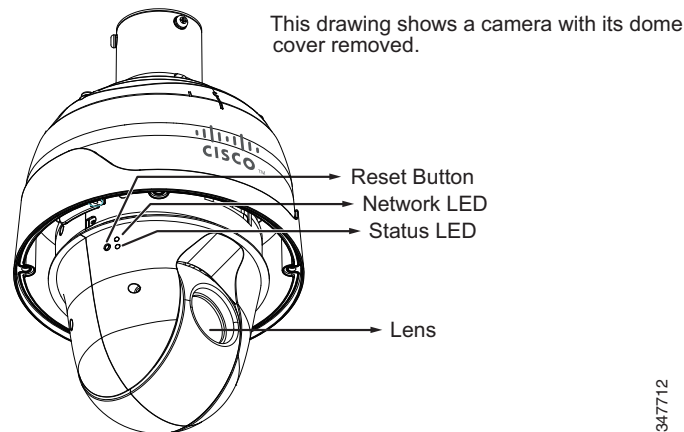
The Cisco Video Surveillance PTZ IP camera package includes the following items:

- Cisco Video Surveillance PTZ IP Camera (1)
- Pendant cap (1)
- Screw driver (1)
- Ethernet cable (1)
- O-RING (1)
- Ground wire (1)
- Waterproof connector (1)
- Connector (1)
- Terminal blocks (2)
- Silica gel packets (2)
- Twin adhesives (2)
- Screws M5x8 (3)
- Screws M4x8 (3)
- Screw M3x5 (1)
- Extra set of product labels (3)
- Cisco documentation pointer card (P/N: 78-21181-01)
- Cisco RoHS document (1)

PTZ IP Camera Physical Details

Figure 1-1 and the table that follows describe the outer view of the PTZ IP camera.

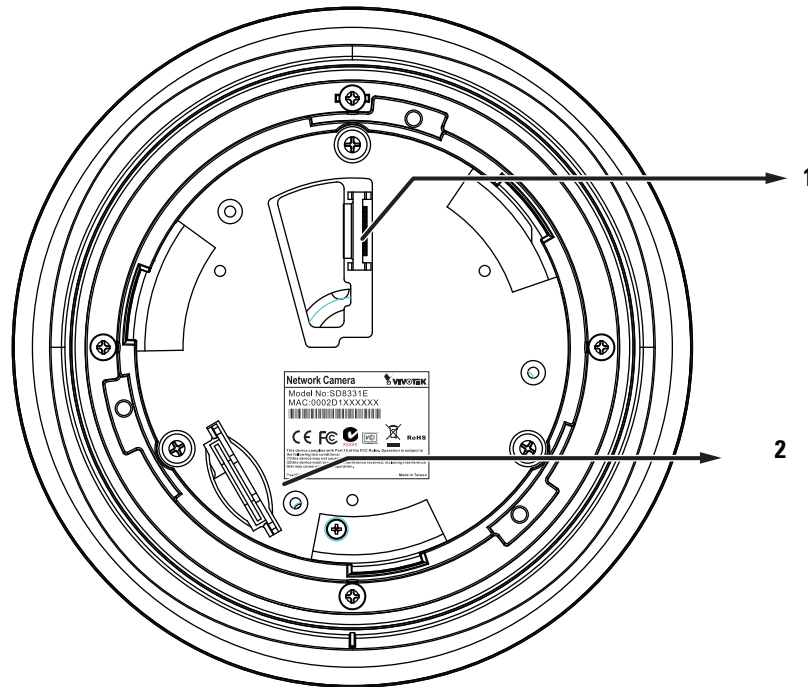
Figure 1-1 Outer View of the PTZ IP Camera



Reset Button	Recessed button that reboots the PTZ IP camera or resets it to a default state. You can use a pin or paper clip to depress it. Depending on how long you depress the reset button, you can do either of the following: <ul style="list-style-type: none"> Reset—Press and release the reset button. Wait for the PTZ IP camera to reboot. Restore—Press and hold the reset button for about 30 seconds. All settings are restored to the factory defaults.
Network LED	Status of the network to which the camera is attached.
Status LED	Status of the PTZ IP camera. For more information, see Table 1-1 .
Lens	Lens that pans, tilts and zooms.

Figure 1-2 and the table that follows describe the inner view of the PTZ IP camera.

Figure 1-2 Inner View of the PTZ IP Camera



1	Board-to-board Connector	Board to board connector.
2	SD/SDHC/SDXC Card Slot	Slot for the SD, SDHC, or SDXC card.

Status LEDs

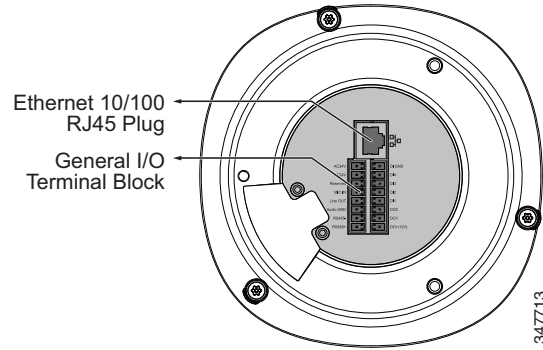
Table 1-1 describes the LED indicator for each PTZ IP camera status state.

Table 1-1 Status LEDs

LED	Status
Green	Camera is done booting and is available for use.
Steady Red	Power on and system booting.
Red LED unlighted	Power off.
Steady Red + blinking Green every 1 sec.	Network works (heartbeat)
Steady Red + Green LED unlighted	Network fail
Steady Red + blinking Green every 2 sec.	Audio mute (heartbeat).
Blinking Red every 0.15 sec. + blinking Green every 1 sec.	Upgrading firmware
Blinking Red every 0.15 sec. + blinking Green every 0.15 sec.	Restore default

Figure 1-3 shows the interface view of the PTZ IP camera.

Figure 1-3 Interface View



Ethernet 10/100 RJ45 Plug	Plug for a standard LAN cable to connect the PTZ IP camera to a 10/100BaseT router or switch.
General I/O Terminal Block	General purpose input/output (GPIO) terminal block that is used to connect external input and output devices. For more information, see Table 1-2 .

Table 1-2 shows the order of the GPIO terminal block.

Table 1-2 GPIO Terminal Block

AC24V	DI GND
AC24V	DI4
Reserved	DI3
MIC IN	DI2
Line OUT	DI1
Audio GND	DO2
RS485-	DO1
RS485+	DO+(12V)

