



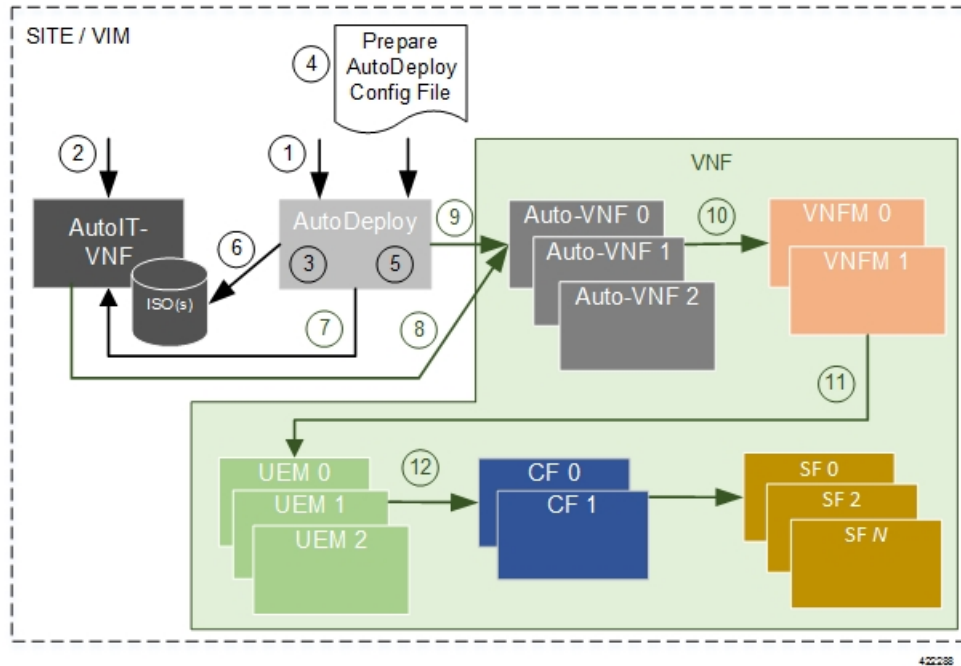
This is a command wrapper topic

This is a xref [permit \(IPv4\)](#), on page 2

- [permit \(IPv4\)](#), on page 2
- [create wwn-pool](#), on page 4
- [create vsan](#), on page 5
- [create vnic-egress-policy](#), on page 7
- [Profiling test](#), on page 8

permit (IPv4)

To create an IPv4 access control list(ACL) rule that permits traffic matching its conditions, use the **permit** command. To remove a rule, use the **no** form of this commands.



This is for test

CSCsy01403: Make sure there are no extra spaces in the syntax diagram block following

General Syntax:

[sequence-number] **permit** protocol source destination QA Test: CSCsv22488 The following groupchose should appear with square brackets only [dscp dscp | QA test CSCsz89741: check that a space appears after this precedence]

[QA Test: CSCsx24477] **This synblk must appear on a different line** protocol source destination QA Test Sprint 9 CSCtc25038 and CSCsw43905 There should be a pipe separator between this sentence and this sentence. There should also be a single space before the pipe and after the pipe

QA Test Sprint 9: Open this command in firefox and check that the fonts for the command syntax is the same size.

no deny protocol {source-ipv6-prefix/prefix-length | any | host source-ipv6-address} [operator [port-number]] {destination-ipv6-prefix/prefix-length | any | host destination-ipv6-address} [operator [port-number]][**dest-option-type** [doh-numberdoh-type]] [**dscpvalue**] [**flow-labelvalue**] [**fragments**] [**log**] [**log-input**] [**mobility**] [**mobility-type**[mh-numbermh-type]] [**routing**] [**routing-type**routing-number] [**sequencevalue**] [**time-rangename**] [**undetermined-transport**]

Command Default

A Newly created IPv4 ACL contains no rules

If yo do not specify a sequence number, the device assigns to the rule a sequence number that is greater than 10 greater than the last rule in the ACL

Command Modes

IPv4 ACL configuration

Source and Destination

You can specify the *source* and *destination* arguments in one of several ways. In each rule, the method you use to specify one of these arguments does not affect how you specify the other. When you configure a rule, use the following methods to specify the *source* and *destination* arguments:

IP address group object—

You can use an IPv4 address group object to specify a source or destination argument. Use the **object-group ip address** command to create and change IPv4 address group objects. The syntax is as follows: QA: CSCsz86893. These sep elements after addrgroup should render with a space (2 spaces). This is outside of a syntax diagram.

```
addrgroup space address-group-name
```

The following example shows how to use an IPv4 address object group named lab-gateway-svrs to specify the destination argument:

```
switch(config-acl) # permit ip any addrgroup lab-gateway-svrs
```

Address and network wildcard

You can use an IPv4 address followed by a network wildcard to specify a host or a network as a source or destination. The syntax is as follows: *IPv4-address network-wildcard*

The following example shows how to specify the source argument with the IPv4 address and VLSM for the 192.168.67.0 subnet

```
switch(config-acl) #
```

ICMP Message Types

The *icmp-message* argument can be the ICMP message number, which is an integer from 0 to 255. It can also be one of the following keywords:

administratively-prohibited

Administratively-prohibited

alternate-address

Alternate-address

TCP Port Names

When you specify the protocol argument as *tcp*, the port argument can be a TCP port number, which is an integer from 0 to 65535. It can also be one of the following keywords:

bgp

Border Gateway Protocol

chargen

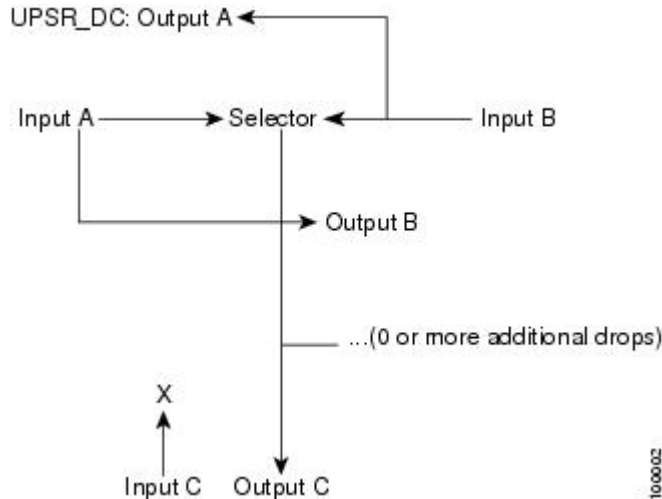
Character generator

cmd

Remote commands (rcmd,514)

create wwn-pool

To create a WWN (World Wide Name) pool, use the **create wwn-pool** command.



```
create wwn-pool name {node-wwn-assignment | port-wwn-assignment}
```

Syntax Description	<i>name</i>	WWN pool name. The range of valid values is 1 to 16.
	node-wwn-assignment	Specifies world wide node name assignment.
	port-wwn-assignment	Specifies world wide node port assignment.

Command Default None

Command Modes Organization (/org)

Command History	Release	Modification
	1.0(1)	This command was introduced.

Usage Guidelines Use this command to create a WWN pool with the specified name, and enters organization WWN pool mode. A WWN pool can include only WWNNs or WWPNS in the 20:xx range. All other WWN ranges are reserved.

Examples

This example shows how to create a WWN pool:

```
switch-A# scope org org3
switch-A /org # create wwn-pool wwnp1 port-wwn-assignment
switch-A /org/wwn-pool* # commit-buffer
switch-A /org/wwn-pool #
```

create vsan

QA Test Sprint 9 CSCta77961: Test that each Command appears in its own page. Karthik has changed
FONTOS BIZTONSÁGI ELOÍRÁSOK

Ez a figyelmeztető jel veszélyre utal. Sérülésveszélyt rejtő helyzetben van. Mielőtt bármely berendezésen munkát végezte, legyen figyelemmel az elektromos áramkörök okozta kockázatokra, és ismerkedjen meg a szokásos balesetvédelmi eljárásokkal. A kiadványban szereplő figyelmeztetések fordítása a készülékhez mellékelt biztonsági figyelmeztetések között található; a fordítás az egyes figyelmeztetések végén látható szám alapján kereshető meg.

ITORIZZE MEG EZEKET AZ UTASÍTÁSOKAT!

To create a VSAN, use the `create vsan` command.

karthik included this after os patch

karthik has included this during sprint6-round1 build

sprint-5 round1

sprint-5 round1 patch

```
create vsan name id fcoe-vlan
```

Syntax Description	
<i>name</i>	VSAN name. The range of valid values is 1 to 16.
<i>id</i>	VSAN identification number. The range of valid values is 1 to 4093.
default-2	Specifies default 1.
<i>fcoe-vlan</i>	Fibre Channel over Ethernet VLAN. The range of valid values is 1 to 4093.
default-1	Specifies default 2.

Command Default None

Command Modes Fibre Channel uplink (/fc-uplink)
Switch (/fc-uplink/switch)

Command History	Release	Modification
	1.0(1)	This command was introduced.

Usage Guidelines Use this command to create a VSAN with the specified name, and enters organization VSAN mode. You can create a named VSAN with IDs from 1 to 4093. VSANs configured on different FCoE VLANs cannot share the same ID.

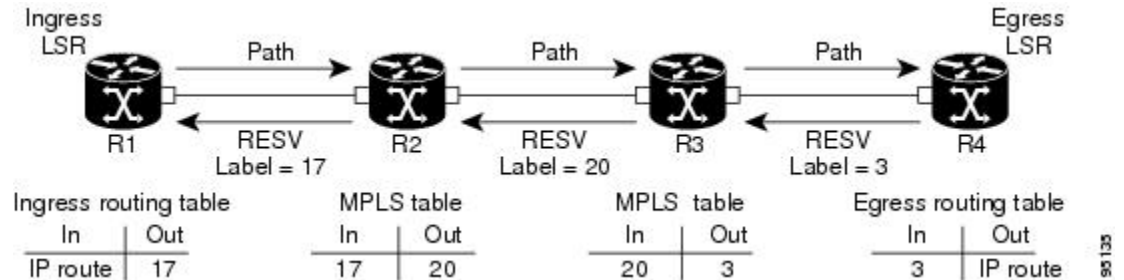
Examples

This example shows how to create a VSAN:

```
switch-A# scope fc-uplink  
switch-A /fc-uplink # create vsan vs2 6 10  
switch-A /fc-uplink/vsan* # commit-buffer  
switch-A /fc-uplink/vsan #
```

create vnic-egress-policy

To create a VNIC egress policy, use the **create vnic-egress-policy** command.



create vnic-egress-policy

This command has no arguments or keywords.

Command Default

None

Command Modes

Virtual NIC QoS (/org/vnic-qos)

Command History

Release Modification

1.0(1) This command was introduced.

Use this command to create a vNIC egress policy, and enter organization virtual NIC egress policy mode.

Examples

This example shows how to create a vNIC egress policy:

```
switch-A# scope org org3
switch-A /org # scope vnic-qos vnicq1
switch-A /org/vnic-qos # create vnic-egress-policy
switch-A /org/vnic-qos* # commit-buffer
switch-A /org/vnic-qos #
```

Profiling test

- This is for test

This is for TESTING

System Power Settings

Power State:	FULL POWER
Power Source:	AC_ADAPTOR
Power Settings:	<input type="radio"/> Power Negotiation <input checked="" type="radio"/> Pre-standard Compatibility
Power Injector:	<input type="checkbox"/> Installed on Port with MAC Address: <input type="text" value="DISABLED"/> (HHHH.HHHH.HHHH)

300002

-
-