



ITU-T G.8032 Ethernet Ring Protection Switching

The ITU-T G.8032 Ethernet Ring Protection Switching feature implements protection switching mechanisms for Ethernet layer ring topologies. This feature uses the G.8032 Ethernet Ring Protection (ERP) protocol, defined in ITU-T G.8032, to provide protection for Ethernet traffic in a ring topology, while ensuring that no loops are within the ring at the Ethernet layer. The loops are prevented by blocking traffic on either a predetermined link or a failed link.

- [Prerequisites for Configuring ITU-T G.8032 Ethernet Ring Protection Switching, on page 1](#)
- [About ITU-T G.8032 Ethernet Ring Protection Switching, on page 1](#)
- [Restrictions for Configuring ITU-T G.8032 Ethernet Ring Protection Switching, on page 8](#)
- [How to Configure ITU-T G.8032 Ethernet Ring Protection Switching, on page 9](#)
- [Configuration Examples for ITU-T G.8032 Ethernet Ring Protection Switching, on page 19](#)

Prerequisites for Configuring ITU-T G.8032 Ethernet Ring Protection Switching

- The Ethernet Flow Points (EFPs) and Trunk Ethernet Flow Points (TEFPs) must be configured.

About ITU-T G.8032 Ethernet Ring Protection Switching

Ring Protection Links

An Ethernet ring consists of multiple Ethernet ring nodes. Each Ethernet ring node is connected to adjacent Ethernet ring nodes using two independent ring links. A ring link prohibits formation of loops that affect the network. The Ethernet ring uses a specific link to protect the entire Ethernet ring. This specific link is called the Ring Protection Link (RPL). A ring link is bound by two adjacent Ethernet ring nodes and a port for a ring link (also known as a ring port). There must be at least two Ethernet ring nodes in a Ethernet ring.

ITU-T G.8032 Ethernet Ring Protection Switching Functionality

The Ethernet ring protection functionality includes the following:

- Loop avoidance

- The use of learning, forwarding, and Filtering Database (FDB) mechanisms

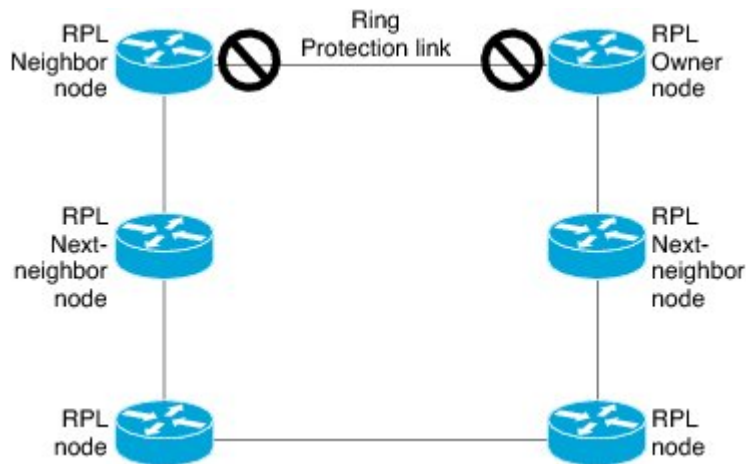
Loop avoidance in an Ethernet ring is achieved by ensuring that, at any time, traffic flows on all but the Ring Protection Link (RPL).

The following is a list of RPL types (or RPL nodes) and their functions:

- RPL owner—Responsible for blocking traffic over the RPL so that no loops are formed in the Ethernet traffic. There can be only one RPL owner in a ring.
- RPL neighbor node—An Ethernet ring node adjacent to the RPL. It is responsible for blocking its end of the RPL under normal conditions. This node type is optional and prevents RPL usage when protected.
- RPL next-neighbor node—Next-neighbor node is an Ethernet ring node adjacent to an RPL owner node or RPL neighbor node. It is mainly used for FDB flush optimization on the ring. This node is also optional.

The following figure illustrates the G.8032 Ethernet ring topology.

Figure 1: G.8032 Ethernet Ring Topology



R-APS Control Messages

Nodes on the ring use control messages called Ring Automatic Protection Switching (R-APS) messages to coordinate the activities of switching the ring protection link (RPL) on and off. Any failure along the ring triggers a R-APS Signal Failure (R-APS SF) message in both directions of the nodes adjacent to the failed link, after the nodes have blocked the port facing the failed link. On obtaining this message, the RPL owner unblocks the RPL port.



Note A single link failure in the ring ensures a loop-free topology.

CFM Protocols and Link Failures

Connectivity Fault Management (CFM) and line status messages are used to detect ring link and node failure. During the recovery phase, when the failed link is restored, the nodes adjacent to the restored link send Ring Automatic Protection Switching (R-APS) No Request (R-APS NR) messages. On obtaining this message, the

ring protection link (RPL) owner blocks the RPL port and sends R-APS NR and R-APS RPL (R-APS NR, RB) messages. These messages cause all other nodes, other than the RPL owner in the ring, to unblock all blocked ports. The Ethernet Ring Protection (ERP) protocol works for both unidirectional failure and multiple link failure scenarios in a ring topology.



Note The G.8032 Ethernet Ring Protection (ERP) protocol uses CFM Continuity Check Messages (CCMs) at an interval of 3.3 milliseconds (ms). At this interval (which is supported only on selected platforms), SONET-like switching time performance and loop-free traffic can be achieved.

G.8032 Ring-Supported Commands and Functionality

A G.8032 ring supports these basic operator administrative commands:

- Force switch (FS)—Allows the operator to forcefully block a particular ring port. Note the following points about FS commands:
 - Effective even if there is an existing SF condition
 - Multiple FS commands for ring are supported
 - May be used to allow immediate maintenance operations
- Manual switch (MS)—Allows the operator to manually block a particular ring port. Note the following points about MS commands:
 - Ineffective in an existing FS or signal failure (SF) condition
 - Overridden by new FS or SF conditions
 - When multiple MS commands are executed more than once on the same device, all MS commands are cancelled.

When multiple MS commands are executed on different devices in the ring, for the same instance, then the command executed on the second device is rejected.
- Clear—Cancels an existing FS or MS command on the ring port. The Clear command is used at the ring protection link (RPL) owner to clear a nonrevertive mode condition.

A G.8032 ring can support multiple instances. An instance is a logical ring running over a physical ring. Such instances are used for various reasons, such as load-balancing VLANs over a ring. For example, odd-numbered VLANs may go in one direction of the ring, and even-numbered VLANs may go in the other direction. Specific VLANs can be configured under only one instance. They cannot overlap multiple instances. Otherwise, data traffic or Ring Automatic Protection Switching (R-APS) messages may cross logical rings, which is not desirable.

G.8032 ERP Timers

The G.8032 Ethernet Ring Protection (ERP) protocol specifies the use of different timers to avoid race conditions and unnecessary switching operations:

- Delay timers—Used by the Ring Protection Link (RPL) owner to verify that the network has stabilized before blocking the RPL. Note the following points about delay timers.
 - After a signal failure (SF) condition, a Wait-to-Restore (WTR) timer is used to verify that the SF is not intermittent.
 - The WTR timer can be configured by the operator. The default time interval is 5 minutes; the time interval ranges from 1 to 12 minutes.
 - After a force switch (FS) or a manual switch (MS) command is issued, a Wait-to-Block (WTB) timer is used to verify that no background condition exists.



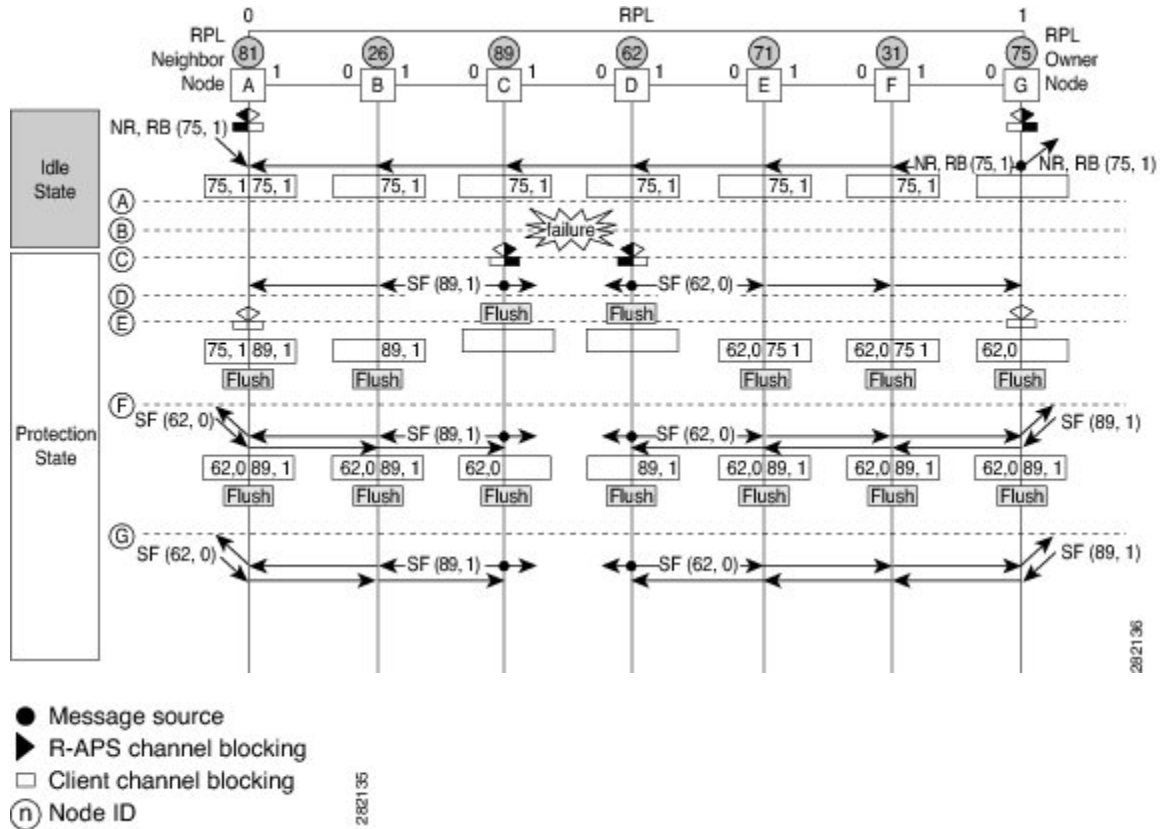
Note The WTB timer interval may be shorter than the WTR timer interval.

- Guard timer—Used by all nodes when changing state; the guard timer blocks latent outdated messages from causing unnecessary state changes. The guard timer can be configured. The default time interval is 500 ms; the time interval ranges from 10 to 2000 ms.
- The recommended Guard Timer for Cisco RSP2 and RSP3 routers is 500 ms.
- Hold-off timers—Used by the underlying Ethernet layer to filter out intermittent link faults. The hold-off timer can be configured. The default time interval is 0 seconds; the time interval ranges from 0 to 10 seconds. Faults are reported to the ring protection mechanism only if this timer expires.

Protection Switching Functionality in a Single Link Failure and Recovery

The following figure illustrates protection switching functionality in a single-link failure.

Figure 2: G.8032 Ethernet Ring Protection Switching in a Single-Link Failure



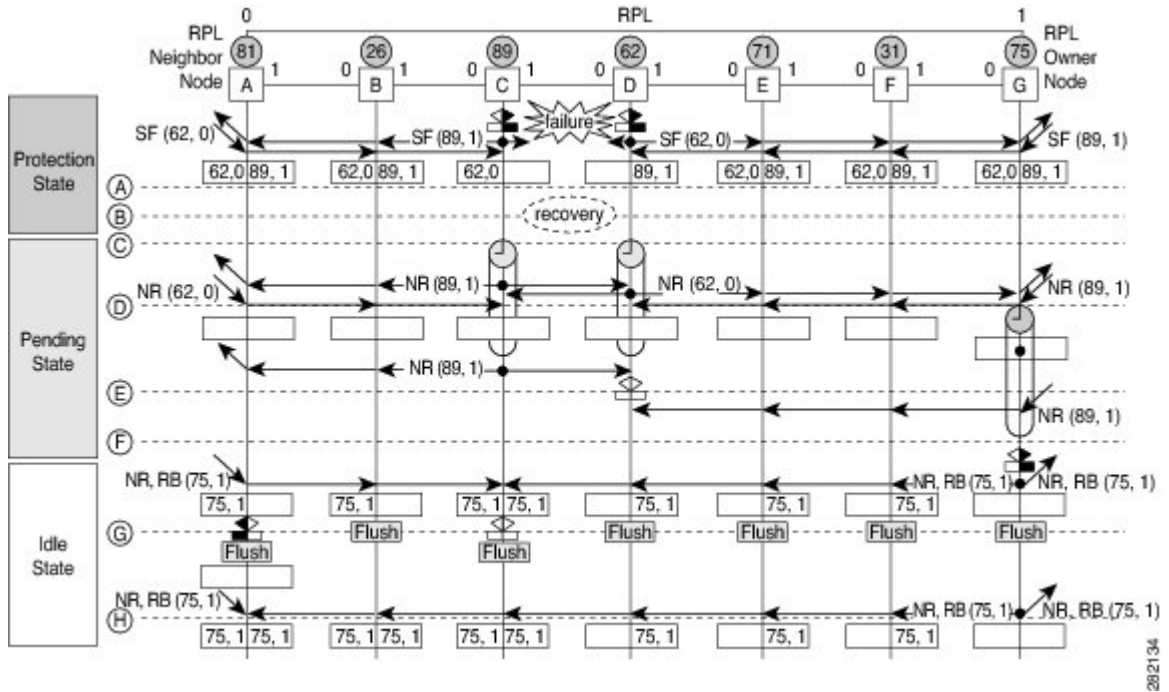
The figure represents an Ethernet ring topology consisting of seven Ethernet ring nodes. The ring protection link (RPL) is the ring link between Ethernet ring nodes A and G. In this topology, both ends of the RPL are blocked. Ethernet ring node G is the RPL owner node, and Ethernet ring node A is the RPL neighbor node.

The following sequence describes the steps followed in the single-link failure:

1. A link operates in the normal condition.
2. A failure occurs.
3. Ethernet ring nodes C and D detect a local signal failure (SF) condition and after the hold-off time interval, block the failed ring port and perform the FDB flush.
4. Ethernet ring nodes C and D start sending Ring Automatic Protection Switching (R-APS) SF messages periodically along with the (node ID and bidirectional path-protected ring (BPR) identifier pair) on both ring ports while the SF condition persists.
5. All Ethernet ring nodes receiving an R-APS SF message perform the FDB flush. When the RPL owner node G and RPL neighbor node A receive an R-APS SF message, the Ethernet ring node unblocks its end of the RPL and performs the FDB flush.
6. All Ethernet ring nodes receiving a second R-APS SF message perform the FDB flush again; the additional FDB flush is because of the node ID and BPR-based configuration.
7. R-APS SF messages are detected on the Ethernet Ring indicating a stable SF condition. Further R-APS SF messages trigger no further action.

The following figure illustrates the steps taken in a revertive operation in a single-link failure.

Figure 3: Single-Link Failure Recovery (Revertive Operation)



The following sequence describes the steps followed in the single-link failure revertive (recovery) operation:

1. A link operates in the stable SF condition.
2. Recovery of link failure occurs.
3. Ethernet ring nodes C and D detect clearing of the SF condition, start the guard timer, and initiate periodic transmission of the R-APS No Request (NR) messages on both ring ports. (The guard timer prevents the reception of R-APS messages.)
4. When the Ethernet ring nodes receive an R-APS NR message, the node ID and BPR identifier pair of a receiving ring port is deleted and the RPL owner node starts the Wait-to-Restore (WTR) timer.
5. When the guard timer expires on Ethernet ring nodes C and D, the nodes may accept the new R-APS messages, if any. Ethernet ring node D receives an R-APS NR message with a higher node ID from Ethernet ring node C, and unblocks its nonfailed ring port.
6. When the WTR timer expires, the RPL owner node blocks its end of the RPL, sends R-APS (NR or route blocked [RB]) message with the (node ID and BPR identifier pair), and performs the FDB flush.
7. When Ethernet ring node C receives an R-APS (NR or RB) message, the node removes the block on its blocked ring ports, and stops sending R-APS NR messages. On the other hand, when the RPL neighbor node A receives an R-APS NR or RB message, the node blocks its end of the RPL. In addition, Ethernet ring nodes A to F perform the FDB flush when receiving an RAPS NR or RB message because of the node ID and BPR-based configuration.

Ethernet Flow Points

An Ethernet flow point (EFP) is a forwarding decision point in the provider edge (PE) router, which gives network designers flexibility to make many Layer 2 flow decisions within the interface. Many EFPs can be configured on a single physical port. (The number varies from one device to another.) EFPs are the logical demarcation points of an Ethernet virtual connection (EVC) on an interface. An EVC that uses two or more user network interfaces (UNIs) requires an EFP on the associated ingress and egress interfaces of every device that the EVC passes through.

EFPs can be configured on any Layer 2 traffic port; however, they are usually configured on UNI ports. The following parameters (matching criteria) can be configured on the EFP:

- Frames of a specific VLAN, a VLAN range, or a list of VLANs (100-150 or 100,103,110)
- Frames with no tags (untagged)
- Frames with identical double-tags (VLAN tags) as specified
- Frames with identical Class of Service (CoS) values

A frame passes each configured match criterion until the correct matching point is found. If a frame does not fit any of the matching criteria, it is dropped. Default criteria can be configured to avoid dropping frames.

You can configure a new type of TEFP called TEFP with encapsulation from bridge domain (BD). All the BDs configured on the switch are part of the VLAN list of the encapsulated TEFP. The TEFP is encapsulated using the **encapsulation dot1q from-bd** command. The feature brings about the following interaction between the Ethernet-EFP and Layer2-bridge domain components:

- If BDs exist in the system and a TEFP with encapsulation from bridge domain is created, then all the BDs get added to the VLAN list of TEFP with encapsulation from bridge domain.
- If TEFP with encapsulation from bridge domain exists in the system and a new BD is created, then the BD is added to the VLAN list of all the TEFP with encapsulation from bridge domain in the system.
- If TEFP with encapsulation from bridge domain exists in the system and a BD gets deleted, and if the deleted BD is not part of an existing TEFP or EFP then it gets deleted from all the TEFP with encapsulation from bridge domain in the system.

The following types of commands can be used in an EFP:

- Rewrite commands—In each EFP, VLAN tag management can be specified with the following actions:
 - Pop—1) pops out a tag; 2) pops out two tags
 - Push— pushes in a tag
 - Translate—1 to 1) changes a tag value; 1 to 2) pops one tag and pushes two tags; 2 to 1) pops two tags and pushes one tag; 2 to 2) changes the value for two tags
- Forwarding commands—Each EFP specifies the forwarding command for the frames that enter the EFP. Only one forwarding command can be configured per EFP. The forwarding options are as follows:
 - Layer 2 point-to-point forwarding to a pseudowire tunnel
 - Multipoint bridge forwarding to a bridge domain entity
 - Local switch-to-switch forwarding between two different interfaces

- Feature commands—In each EFP, the QoS features or parameters can be changed and the ACL can be updated.

Service Instances and Associated EFPs

Configuring a service instance on a Layer 2 port creates a pseudoport or EFP on which you configure EVC features. Each service instance has a unique number per interface, but you can use the same number on different interfaces because service instances on different ports are not related.

An EFP classifies frames from the same physical port to one of the multiple service instances associated with that port, based on user-defined criteria. Each EFP can be associated with different forwarding actions and behavior.

When an EFP is created, the initial state is UP. The state changes to DOWN under the following circumstances:

- The EFP is explicitly shut down by a user.
- The main interface to which the EFP is associated is down or removed.
- If the EFP belongs to a bridge domain, the bridge domain is down.
- The EFP is forced down as an error-prevention measure of certain features.

Use the **service instance ethernet** interface configuration command to create an EFP on a Layer 2 interface and to enter service instance configuration mode. Service instance configuration mode is used to configure all management and control data plane attributes and parameters that apply to the service instance on a per-interface basis. The service instance number is the EFP identifier.

After the device enters service instance configuration mode, you can configure these options:

- **default**--Sets a command to its defaults
- **description**--Adds a service instance-specific description
- **encapsulation**--Configures Ethernet frame match criteria
- **exit**--Exits from service instance configuration mode
- **no**--Negates a command or sets its defaults
- **shutdown**--Takes the service instance out of service

Restrictions for Configuring ITU-T G.8032 Ethernet Ring Protection Switching

- G.8032 is supported only on EFP bridgedomains on the physical interface and port-channel interface.



Note G.8032 is supported only on TEFP. Port-channel is not supported.

- G.8032 is supported only on EFP with dot1q, dot1ad, QinQ, or dot1ad-dot1Q encapsulation type.



Note G.8032 is supported only on TEFP with dot1q.

- G.8032 is not supported on xconnect interface.
- G.8032 does not support more than two ERP instances per ring.
- Link flap occurs while configuring the inclusion or exclusion VLAN list.
- Admin shut down is highly recommended before making any changes in Connectivity Fault Management (CFM) configuration.
- The **efd notify** command must be used under CFM configuration to notify G.8032 of failures, if any.
- BFD IPv4 and IPv6 Single Hop is supported. BFD Echo Mode is not supported.
- Modification of APS VLAN will not be effective until you delete and reconfigure the G8032 ring configuration.

How to Configure ITU-T G.8032 Ethernet Ring Protection Switching

Configuring the Ethernet Ring Profile

To configure the Ethernet ring profile, complete the following steps.

SUMMARY STEPS

1. **enable**
2. **configure terminal**
3. **ethernet ring g8032 profile** *profile-name*
4. **timer** {**guard** *seconds* | **hold-off** *seconds* | **wtr** *minutes*}
5. **non-revertive**
6. **end**

DETAILED STEPS

	Command or Action	Purpose
Step 1	enable Example: Device> enable	Enables privileged EXEC mode. <ul style="list-style-type: none"> • Enter your password if prompted.
Step 2	configure terminal Example:	Enters global configuration mode.

	Command or Action	Purpose
	Device# configure terminal	
Step 3	ethernet ring g8032 profile <i>profile-name</i> Example: Device(config)# ethernet ring g8032 profile profile1	Creates the Ethernet ring profile and enters Ethernet ring profile configuration mode.
Step 4	timer { guard <i>seconds</i> hold-off <i>seconds</i> wtr <i>minutes</i> } Example: Device(config-erp-profile)# timer hold-off 5	Specifies the time interval for the guard, hold-off, and Wait-to-Restore (WTR) timers.
Step 5	non-revertive Example: Device(config-erp-profile)# non-revertive	Specifies a nonrevertive Ethernet ring instance. <ul style="list-style-type: none">• By default, Ethernet ring instances are revertive.
Step 6	end Example: Device(config-erp-profile)# end	Returns to user EXEC mode.

Configuring Ethernet CFM MEPs

Configuring Ethernet Connectivity Fault Management (CFM) maintenance endpoints (MEPs) is optional although recommended for fast failure detection and CFM monitoring. When CFM monitoring is configured, note the following points:

- Static remote MEP (RMEP) checking should be enabled.
- The MEPs should be configured to enable Ethernet fault detection.

For information about configuring Ethernet Connectivity Fault Management (CFM) maintenance endpoints (MEPs), see the “Configuring Ethernet Connectivity Fault Management in a Service Provider Network” module of the *Carrier Ethernet Configuration Guide*.

Enabling Ethernet Fault Detection for a Service

To enable Ethernet Fault Detection (EFD) for a service to achieve fast convergence, complete the following steps



Note Link protection is not supported on the RSP3 Module.

SUMMARY STEPS

1. **enable**
2. **configure terminal**
3. **ethernet cfm global**
4. **link-protection enable**
5. **link-protection group management vlan *vlan-id***
6. **link-protection group *group-number* pccm vlan *vlan-id***
7. **ethernet cfm domain *domain-name* level *level-id* [direction outward]**
8. **service {*ma-name* | *ma-num* | **vlan-id** *vlan-id* | **vpn-id** *vpn-id*} [port | **vlan** *vlan-id* [direction down]]**
9. **continuity-check [interval *time* | loss-threshold *threshold* | static rmp]**
10. **efd notify g8032**
11. **end**

DETAILED STEPS

	Command or Action	Purpose
Step 1	enable Example: Device> enable	Enables privileged EXEC mode. • Enter your password if prompted.
Step 2	configure terminal Example: Device# configure terminal	Enters global configuration mode.
Step 3	ethernet cfm global Example: Device(config)# ethernet cfm global	Enables Ethernet CFM globally.
Step 4	link-protection enable Example: Device(config)# link-protection enable	Enables link protection globally on the router.
Step 5	link-protection group management vlan <i>vlan-id</i> Example: Device(config)# link-protection group management vlan 51	Defines the management VLAN used for link protection.
Step 6	link-protection group <i>group-number</i> pccm vlan <i>vlan-id</i> Example: Device(config)# link-protection group 2 pccm vlan 16	Specifies an ODU-to-ODU continuity check message (P-CCM) VLAN.

	Command or Action	Purpose
Step 7	ethernet cfm domain <i>domain-name</i> level <i>level-id</i> [direction outward] Example: <pre>Device(config)# ethernet cfm domain G8032 level 4</pre>	Configures the CFM domain for ODU 1 and enters Ethernet CFM configuration mode.
Step 8	service { <i>ma-name</i> <i>ma-num</i> vlan-id <i>vlan-id</i> vpn-id <i>vpn-id</i> } [port vlan <i>vlan-id</i> [direction down]] Example: <pre>Device(config-ecfm)# service 8032_service evc 8032-ecv vlan 1001 direction down</pre>	Defines a maintenance association for ODU 1 and enters Ethernet CFM service instance configuration mode.
Step 9	continuity-check [interval <i>time</i> loss-threshold <i>threshold</i> static rmep] Example: <pre>Device(config-ecfm-srv)# continuity-check interval 3.3ms</pre>	Enables the transmission of continuity check messages (CCMs).
Step 10	efd notify g8032 Example: <pre>Device(config-ecfm-srv)# efd notify g8032</pre>	Enables CFM to notify registered protocols when a defect is detected or cleared, which matches the current fault alarm priority.
Step 11	end Example: <pre>Device(config-ecfm-srv)# end</pre>	Returns to user EXEC mode.

Configuring the Ethernet Protection Ring

To configure the Ethernet Protection Ring (EPR), complete the following steps.

SUMMARY STEPS

1. **enable**
2. **configure terminal**
3. **ethernet ring g8032** *ring-name*
4. **port0 interface** *type number*
5. **monitor service instance** *instance-id*
6. **exit**
7. **port1** {*interfacetype number* | **none**}
8. **monitor service instance** *instance-id*
9. **exit**

10. **exclusion-list** *vlan-ids* *vlan-id*
11. **open-ring**
12. **instance** *instance-id*
13. **description** *descriptive-name*
14. **profile** *profile-name*
15. **rpl** {*port0* | *port1*} {*owner* | *neighbor* | *next-neighbor* }
16. **inclusion-list** *vlan-ids* *vlan-id*
17. **aps-channel**
18. **level** *level-value*
19. **port0 service instance** *instance-id*
20. **port1 service instance** {*instance-id* | **none** }
21. **end**

DETAILED STEPS

	Command or Action	Purpose
Step 1	<p>enable</p> <p>Example:</p> <pre>Device> enable</pre>	<p>Enables privileged EXEC mode.</p> <ul style="list-style-type: none"> • Enter your password if prompted.
Step 2	<p>configure terminal</p> <p>Example:</p> <pre>Device# configure terminal</pre>	<p>Enters global configuration mode.</p>
Step 3	<p>ethernet ring g8032 <i>ring-name</i></p> <p>Example:</p> <pre>Device(config)# ethernet ring g8032 ring1</pre>	<p>Specifies the Ethernet ring and enters Ethernet ring port configuration mode.</p>
Step 4	<p>port0 interface <i>type number</i></p> <p>Example:</p> <pre>Device(config-erp-ring)# port0 interface gigabitethernet 0/1/0</pre>	<p>Connects port0 of the local node of the interface to the Ethernet ring and enters Ethernet ring protection mode.</p>
Step 5	<p>monitor service instance <i>instance-id</i></p> <p>Example:</p> <pre>Device(config-erp-ring-port)# monitor service instance 1</pre>	<p>Assigns the Ethernet service instance to monitor the ring port (port0) and detect ring failures.</p>
Step 6	<p>exit</p> <p>Example:</p> <pre>Device(config-erp-ring-port)# exit</pre>	<p>Exits Ethernet ring port configuration mode.</p>

	Command or Action	Purpose
Step 7	<p>port1 {<i>interfacetype number</i> none}</p> <p>Example:</p> <pre>Device(config-erp-ring)# port1 interface gigabitethernet 0/1/1</pre>	Connects port1 of the local node of the interface to the Ethernet ring and enters Ethernet ring protection mode.
Step 8	<p>monitor service instance <i>instance-id</i></p> <p>Example:</p> <pre>Device(config-erp-ring-port)# monitor service instance 2</pre>	<p>Assigns the Ethernet service instance to monitor the ring port (port1) and detect ring failures.</p> <ul style="list-style-type: none"> The interface (to which port1 is attached) must be a subinterface of the main interface.
Step 9	<p>exit</p> <p>Example:</p> <pre>Device(config-erp-ring-port)# exit</pre>	Exits Ethernet ring port configuration mode.
Step 10	<p>exclusion-list vlan-ids <i>vlan-id</i></p> <p>Example:</p> <pre>Device(config-erp-ring)# exclusion-list vlan-ids 2</pre>	Specifies VLANs that are unprotected by the Ethernet ring protection mechanism.
Step 11	<p>open-ring</p> <p>Example:</p> <pre>Device(config-erp-ring)# open-ring</pre>	Specifies the Ethernet ring as an open ring. By default, each node on the Ethernet ring is closed. You must configure the open-ring command on each node for ITU-T G.8032 Ethernet open ring.
Step 12	<p>instance <i>instance-id</i></p> <p>Example:</p> <pre>Device(config-erp-ring)# instance 1</pre>	Configures the Ethernet ring instance and enters Ethernet ring instance configuration mode.
Step 13	<p>description <i>descriptive-name</i></p> <p>Example:</p> <pre>Device(config-erp-inst)# description cisco_customer_instance</pre>	Specifies a descriptive name for the Ethernet ring instance.
Step 14	<p>profile <i>profile-name</i></p> <p>Example:</p> <pre>Device(config-erp-inst)# profile profile1</pre>	Specifies the profile associated with the Ethernet ring instance.
Step 15	<p>rpl {port0 port1} {owner neighbor next-neighbor}</p> <p>Example:</p>	Specifies the Ethernet ring port on the local node as the RPL owner, neighbor, or next neighbor.

	Command or Action	Purpose
	Device(config-erp-inst)# rpl port0 neighbor	
Step 16	inclusion-list vlan-ids <i>vlan-id</i> Example: Device(config-erp-inst)# inclusion-list vlan-ids 11	Specifies VLANs that are protected by the Ethernet ring protection mechanism. Note VLANs should be within or equal to VLAN configured in the interface.
Step 17	aps-channel Example: Device(config-erp-inst)# aps-channel	Enters Ethernet ring instance aps-channel configuration mode.
Step 18	level <i>level-value</i> Example: Device(config-erp-inst-aps)# level 5	Specifies the Automatic Protection Switching (APS) message level for the node on the Ethernet ring. <ul style="list-style-type: none"> • All nodes in the Ethernet ring must be configured with the same level.
Step 19	port0 service instance <i>instance-id</i> Example: Device(config-erp-inst-aps)# port0 service instance 100	Associates APS channel information with port0.
Step 20	port1 service instance { <i>instance-id</i> none } Example: Device(config-erp-inst-aps)# port1 service instance 100	Associates APS channel information with port1.
Step 21	end Example: Device(config-erp-inst-aps)# end	Returns to user EXEC mode.

Configuring Topology Change Notification Propagation

To configure topology change notification (TCN) propagation, complete the following steps.

SUMMARY STEPS

1. enable
2. configure terminal
3. ethernet tcn-propagation G8032 to {REP | G8032}
4. end

DETAILED STEPS

	Command or Action	Purpose
Step 1	enable Example: Device> enable	Enables privileged EXEC mode. <ul style="list-style-type: none">• Enter your password if prompted.
Step 2	configure terminal Example: Device# configure terminal	Enters global configuration mode.
Step 3	ethernet tcn-propagation G8032 to {REP G8032} Example: Device(config)# ethernet tcn-propagation G8032 to G8032	Allows topology change notification (TCN) propagation from a source protocol to a destination protocol. <ul style="list-style-type: none">• Source and destination protocols vary by platform and release.
Step 4	end Example: Device(config)# end	Returns to user EXEC mode.

Configuring a Service Instance

To configure a service instance, complete the following steps.

SUMMARY STEPS

1. **enable**
2. **configure terminal**
3. **interface** *type number*
4. **service instance** *instance-id* **ethernet** [*evc-id*]
5. **encapsulation dot1q** *vlan-id* [**native**]
6. **bridge-domain** *bridge-id* [**split-horizon** [**group** *group-id*]]
7. **end**

DETAILED STEPS

	Command or Action	Purpose
Step 1	enable Example: Device> enable	Enables privileged EXEC mode. <ul style="list-style-type: none">• Enter your password if prompted.

	Command or Action	Purpose
Step 2	configure terminal Example: Device# configure terminal	Enters global configuration mode.
Step 3	interface type number Example: Device(config)# interface gigabitethernet 0/1/0	Specifies the interface type and number.
Step 4	service instance instance-id ethernet [evc-id] Example: Device(config-if)# service instance 101 ethernet	Creates a service instance (an instance of an EVC) on an interface and enters service instance configuration mode.
Step 5	encapsulation dot1q vlan-id [native] Example: Device(config-if-srv)# encapsulation dot1q 13	Defines the matching criteria to be used in order to map ingress dot1q frames on an interface to the appropriate service instance.
Step 6	bridge-domain bridge-id [split-horizon [group group-id]] Example: Device(config-if-srv)# bridge-domain 12	Binds the service instance to a bridge domain instance.
Step 7	end Example: Device(config-if-srv)# end	Exits service instance configuration mode.

Verifying the Ethernet Ring Protection (ERP) Switching Configuration

To verify the ERP switching configuration, use one or more of the following commands in any order.



Note Follow these rules while adding or deleting VLANs from the inclusion list:

- While adding VLAN into the inclusion list, it has to be first added on the interface and then in the G.8032 inclusion list.
- While removing VLAN from the inclusion list, it has to be removed from the G.8032 inclusion list and then from the interface.

Addition or Deletion of VLANs in exclusion list is not supported.

SUMMARY STEPS

1. **enable**
2. **show ethernet ring g8032 status** [*ring-name*] [**instance** [*instance-id*]]
3. **show ethernet ring g8032 brief** [*ring-name*] [**instance** [*instance-id*]]
4. **show ethernet ring g8032 summary**
5. **show ethernet ring g8032 statistics** [*ring-name*] [**instance** [*instance-id*]]
6. **show ethernet ring g8032 profile** [*profile-name*]
7. **show ethernet ring g8032 port status interface** [*type number*]
8. **show ethernet ring g8032 configuration** [*ring-name*] **instance** [*instance-id*]
9. **show ethernet ring g8032 trace** {ctrl [*ring-name* **instance** *instance-id*] | **sm**}
10. **end**

DETAILED STEPS

	Command or Action	Purpose
Step 1	enable Example: Device> enable	Enables privileged EXEC mode. <ul style="list-style-type: none"> • Enter your password if prompted.
Step 2	show ethernet ring g8032 status [<i>ring-name</i>] [instance [<i>instance-id</i>]] Example: Device# show ethernet ring g8032 status RingA instance 1	Displays a status summary for the ERP instance.
Step 3	show ethernet ring g8032 brief [<i>ring-name</i>] [instance [<i>instance-id</i>]] Example: Device# show ethernet ring g8032 brief	Displays a brief description of the functional state of the ERP instance.
Step 4	show ethernet ring g8032 summary Example: Device# show ethernet ring g8032 summary	Displays a summary of the number of ERP instances in each state of the ERP switching process.
Step 5	show ethernet ring g8032 statistics [<i>ring-name</i>] [instance [<i>instance-id</i>]] Example: Device# show ethernet ring g8032 statistics RingA instance 1	Displays the number of events and Ring Automatic Protection Switching (R-APS) messages received for an ERP instance.
Step 6	show ethernet ring g8032 profile [<i>profile-name</i>] Example:	Displays the settings for one or more ERP profiles.

	Command or Action	Purpose
	Device# show ethernet ring g8032 profile gold	
Step 7	show ethernet ring g8032 port status interface [<i>type number</i>] Example: Device# show ethernet ring g8032 port status interface gigabitethernet 0/0/1	Displays Ethernet ring port status information for the interface.
Step 8	show ethernet ring g8032 configuration instance [<i>ring-name instance-id</i>] Example: Device# show ethernet ring g8032 configuration RingA instance 1	Displays the details of the ERP instance configuration manager.
Step 9	show ethernet ring g8032 trace {ctrl [<i>ring-name instance-id</i>] sm} Example: Device# show ethernet ring g8032 trace sm	Displays information about ERP traces.
Step 10	end Example: Device# end	Returns to privileged EXEC mode.

Configuration Examples for ITU-T G.8032 Ethernet Ring Protection Switching

Example: Configuring Ethernet Ring Protection Switching

The following is an example of an Ethernet Ring Protection (ERP) switching configuration:

```

ethernet ring g8032 profile profile_ABC
  timer wtr 1
  timer guard 100
  timer hold-off 1

ethernet ring g8032 major_ring_ABC
  exclusion-list vlan-ids 1000
  port0 interface GigabitEthernet 0/0/1
    monitor service instance 103
  port1 interface GigabitEthernet 0/1/0
    monitor service instance 102
  instance 1
  profile profile_ABC

```

Example: Enabling Ethernet Fault Detection for a Service

```

    rpl port0 owner
    inclusion-list vlan-ids 100
    aps-channel
    port0 service instance 100
    port1 service instance 100
    !
interface GigabitEthernet0/1/0
mtu 9216
no ip address
negotiation auto
service instance trunk 1 ethernet
encapsulation dot1q 60-61
rewrite ingress tag pop 1 symmetric
bridge-domain from-encapsulation

!
!
```

Example: Enabling Ethernet Fault Detection for a Service

```

ethernet cfm domain G8032 level 4
service 8032_service evc 8032-evc vlan 1001 direction down
    continuity-check
    continuity-check interval 3.3ms
    offload sampling 1000
    efd notify g8032
ethernet ring g8032 profile TEST
timer wtr 1
timer guard 100
ethernet ring g8032 open
open-ring
port0 interface GigabitEthernet0/1/3
    monitor service instance 1001
port1 none
instance 1
    profile TEST
    inclusion-list vlan-ids 2-500,1001
    aps-channel
    port0 service instance 1001
    port1 none
    !
!
instance 2
    profile TEST
    rpl port0 owner
    inclusion-list vlan-ids 1002,1005-2005
    aps-channel
    port0 service instance 1002
    port1 none
    !

interface GigabitEthernet0/1/3
no ip address
load-interval 30
shutdown
negotiation auto
storm-control broadcast level 10.00
storm-control multicast level 10.00
storm-control unicast level 90.00
service instance 1 ethernet
    encapsulation untagged
```

```

l2protocol peer lldp
bridge-domain 1
!
service instance trunk 10 ethernet
encapsulation dot1q 2-500,1005-2005
rewrite ingress tag pop 1 symmetric
bridge-domain from-encapsulation
!
service instance 1001 ethernet 8032-evc
encapsulation dot1q 1001
rewrite ingress tag pop 1 symmetric
bridge-domain 1001
cfm mep domain G8032 mpid 20
!
service instance 1002 ethernet 8032-evc-1
encapsulation dot1q 1002
rewrite ingress tag pop 1 symmetric
bridge-domain 1002
!
End

```

Example: Verifying the Ethernet Ring Protection Configuration

The following is sample output from the **show ethernet ring g8032 configuration** command. Use this command to verify if the configuration entered is valid and to check for any missing configuration parameters.

```

Device# show ethernet ring g8032 configuration

ethernet ring ring0
Port0: GigabitEthernet0/0/0 (Monitor: GigabitEthernet0/0/0)
Port1: GigabitEthernet0/0/4 (Monitor: GigabitEthernet0/0/4)
Exclusion-list VLAN IDs: 4001-4050
Open-ring: no
Instance 1
Description:
Profile:      opp
RPL:
Inclusion-list VLAN IDs: 2,10-500
APS channel
Level: 7
Port0: Service Instance 1
Port1: Service Instance 1
State: configuration resolved

```

Example: Verifying the Ethernet Ring Protection Configuration