



# Cisco Dual LTE-Single GPS Multi-band Antenna Installation Guide (4G-LTE-ANTM-O-3-B)

This chapter contains the following:

- [Overview, on page 1](#)
- [Supported Antennas, on page 9](#)
- [Supported Antenna Accessories, on page 9](#)
- [Antenna Options by Deployment Type, on page 9](#)
- [General Safety Precautions, on page 10](#)
- [Guidelines to Achieving Optimal RF and Antenna Performance, on page 12](#)
- [Installation Instructions, on page 15](#)
- [Deployment Scenarios, on page 17](#)
- [Communications, Services, and Additional Information, on page 19](#)

## Overview

This section provides the description, supported features, and installation instructions of the Cisco Dual LTE-Single GPS Multi-band (4G-LTE-ANTM-O-3-B) Antenna.



---

**Caution** Read the information in the installation instructions before installing or replacing antennas.

---

Deciding which antenna to use involves multiple factors, such as coverage area, maximum distance, indoor location, outdoor location, and antenna height.

When an antenna is used indoors, the building construction, ceiling height, and internal obstructions must be considered. In outdoor environments, obstructions such as trees, vehicles, buildings, and hills must be considered. Distance is the primary factor when using outdoor-wireless communications. However, coverage area also becomes important when you use wireless client devices to communicate with a wireless device.

4G-LTE-ANTM-O-3-B antenna is an integrated 3-in-1- indoor and outdoor antenna. It comes with two Long Term Evolution (LTE) antennas and one Global Positioning System (GPS) antenna in a single radome. The following graphic shows the 4G-LTE-ANTM-O-3 antenna.

*Figure 1: 4G-LTE-ANTM-0-3 Antenna*



## Parts List

The shipment of your antenna includes the following items:

- One Antenna Unit
- Two SMA-Female to TNC-Male Adapters
- Installation Guide

## Features of the 4G-LTE-ANTM-0-3-B Antenna

The 4G-LTE-ANTM-0-3-B antenna supports the following features:

- No tune, multiband coverage, dual 4G LTE, and GPS L1 frequencies.
- Metal 5/8-inch stud mount with serrated face nut provides single cable exit for easier installation or antenna replacement.
- Attractive low-profile housing for added overhead clearance.
- IP67-compliant design provides maximum protection against water or dust under severe environmental conditions.

- High-performance, low-loss cable, and high-quality connectors for maximum Radio Frequency (RF) system efficiency.
- UV-resistant red, blue, black, or white radome.

## Technical Specifications

The following table lists the specifications for the RF antenna.

**Table 1: Specifications of RF antenna**

Operating Frequencies	698-960 MHz 1710-2700 MHz
Polarization	Vertical, linear
Nominal Impedance	50 Ohms
Gain(Typical) <b>Note 1</b>	2.5 dBi
Maximum Power	3 Watts
VSWR <b>Note 2</b>	< 2.5:1
Elevation Plane (3 dB Beamwidth) <b>Note 3</b>	30° (nominal)
Azimuth Plane (3 dB Beamwidth)	Omni-directional
Connector type	SMA-Male
Cable	4 foot RG174 VW-1 compliant
Height	90 mm
Base Diameter	137 mm
Color	White, Black, Red or Blue
Flammability	UL-94 V0
Environment	Indoor and outdoor
Mounting	5/8 inch lug with serrated face nut, optional adhesive backing (peel-off), 17 sq. inches area (minimum) on a flat smooth surface, 5/8 inch diameter hole through mounting surface
Operating and storage temperature	-40 to +85 degree C
Ingress Protection <b>Note 3</b>	IP67

**Note 1:** Total gain, free space test when mounted on a 1-foot diameter ground plane with unused ports loaded.

**Note 2:** Free space Voltage Standing Wave Ratio (VSWR) over all operating frequency ranges when mounted on a 1-foot diameter ground plane with unused ports loaded.

**Note 3:** When mounted per installation instructions.

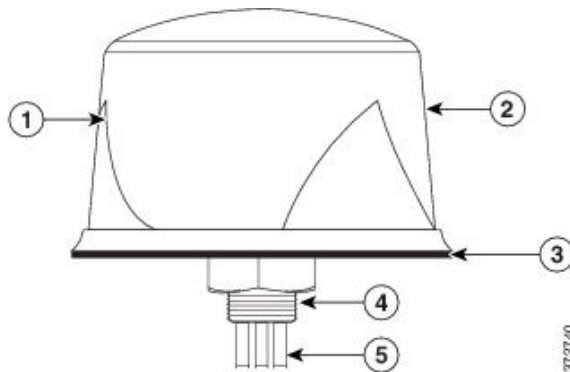
The following table lists the specifications for the GPS Antenna.

**Table 2: Specifications of the GPS Antenna**

Frequency Band	1575.42 MHz (GPS L1)
Amplifier Gain	26 dBc $\pm$ 3 dB
Nominal Impedance	50 Ohms
Output VSWR	1.5:1 typical
DC Current	20 mA nominal; < 30 mA @ -40°C to +85° C
DC Voltage	3.3-5 V
Noise Figure	1.8 dB typical
Filtering	> 40 dB rejection @ $\pm$ 50 MHz from center frequency

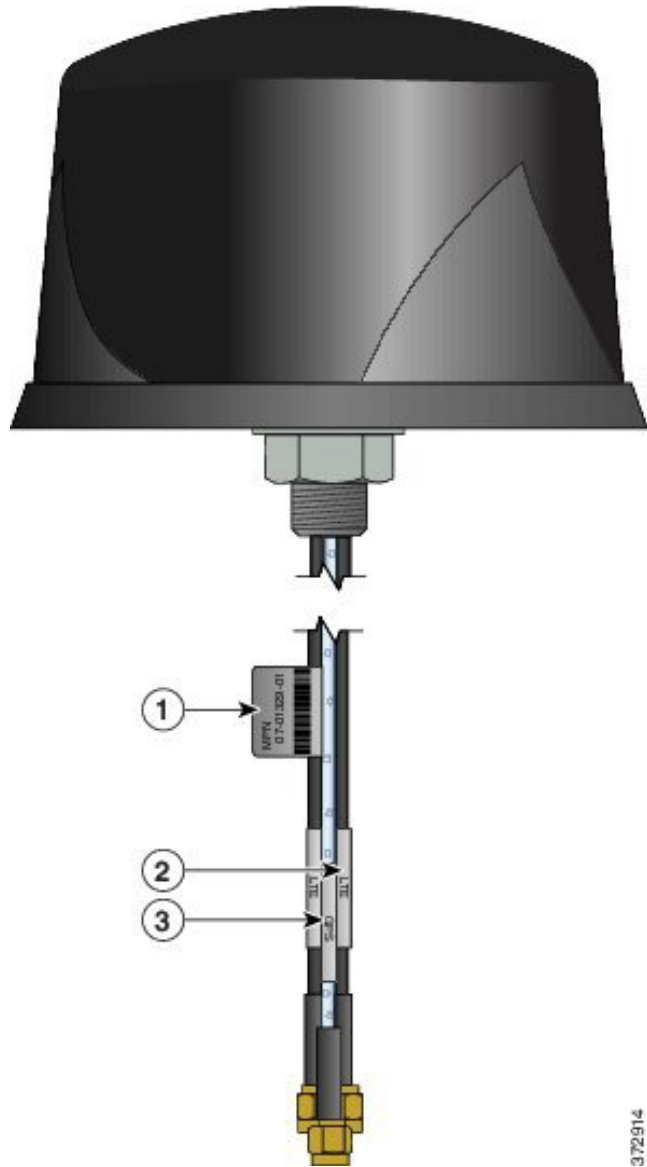
The following graphic shows the parts of 4G-LTE-ANTM-O-3-B Antenna.

**Figure 2: Parts of 4G-LTE-ANTM-O-3-B Antenna**



1	GPS and 2 LTE antennas inside	4	Mounting stud
2	Radome available in 4 colors: White, Black, Red or Blue (Indoor or Outdoor)	5	Cables
3	Gasket		

The following graphic shows the antenna with cable labels.

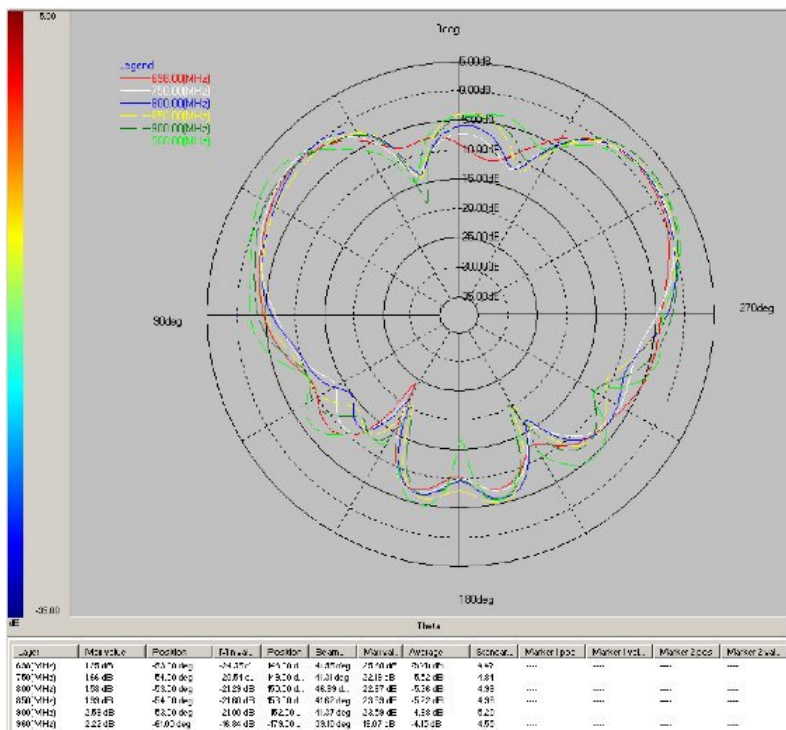


372914

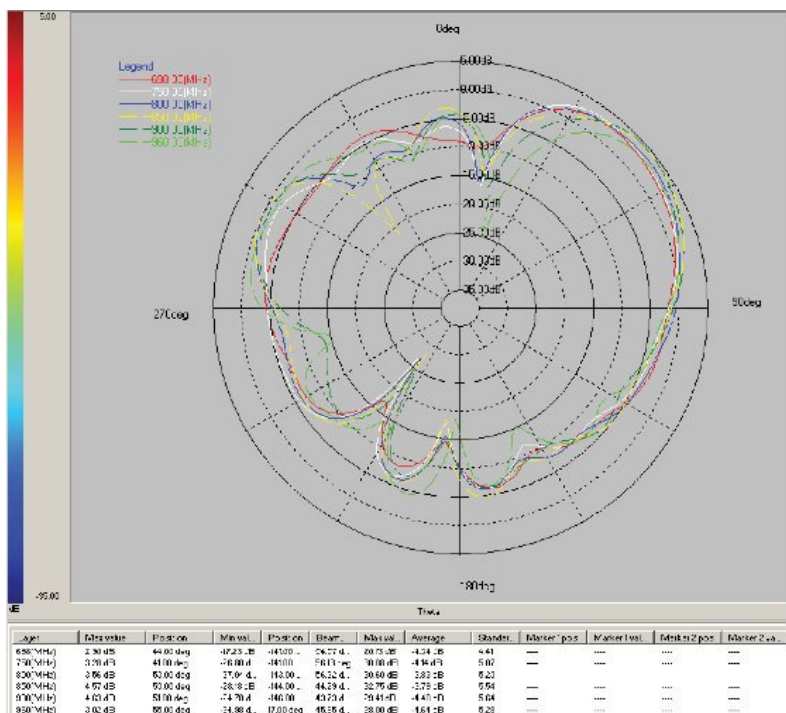
1	MPN LABEL	2	LTE-ID LABEL 2EA
3	GPS ID LABEL		

The following figure shows the Low Band 698-960 MHz EL (PHI=0).

Technical Specifications

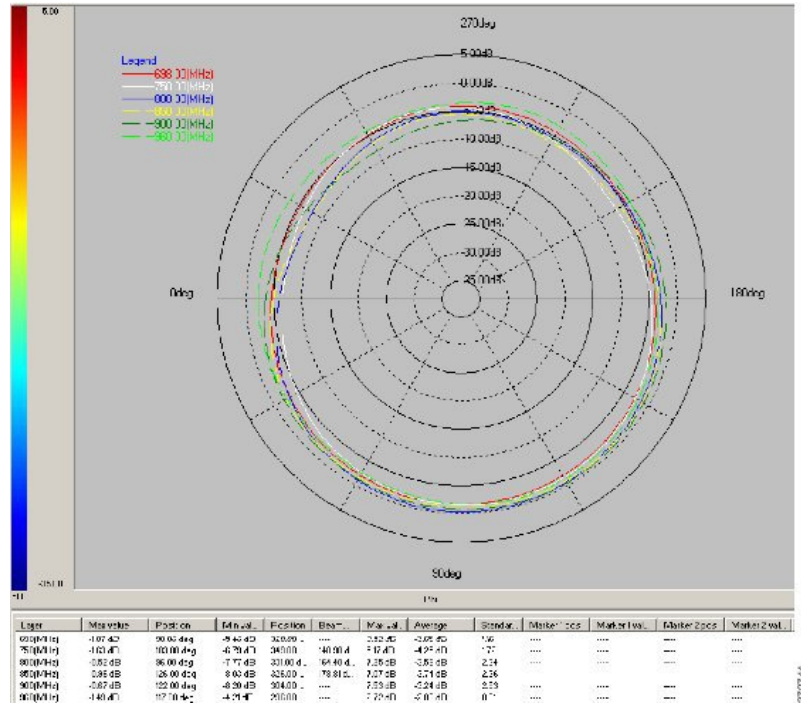


The following figure shows the Low Band 698-960 MHz EL (PHI=90).

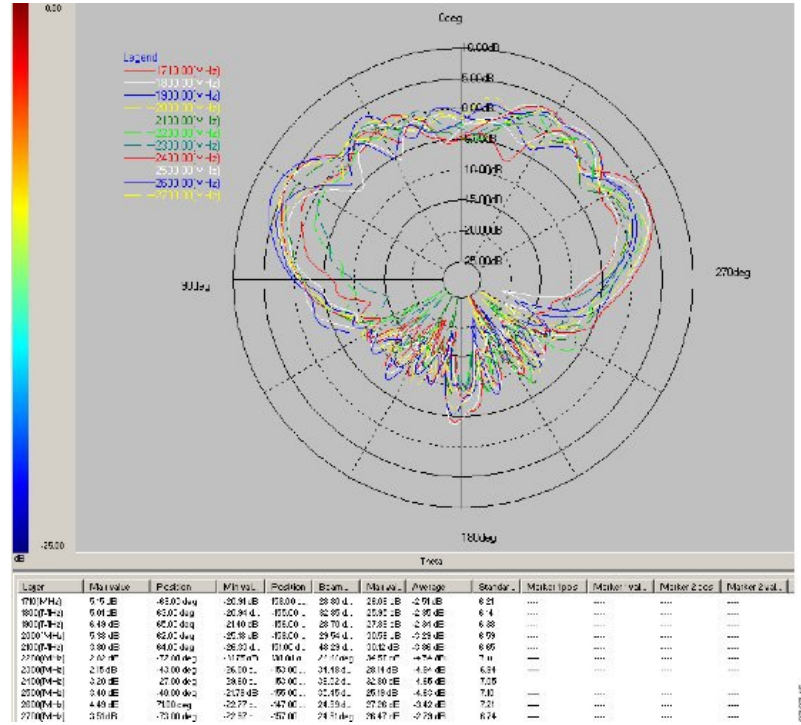


The following figure shows the Low Band 698-960 MHz AZ (THETA=90).

Figure 3: Low Band 698-960 MHz AZ (THETA=90)



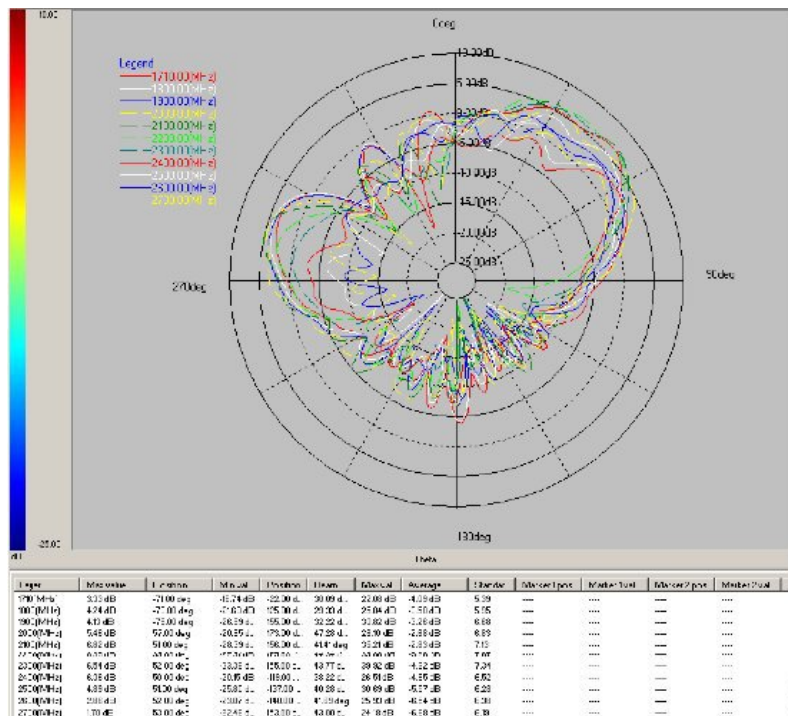
The following figure shows High Band 1710-2700 MHz EL (PHI=0).



The following figure shows High Band 1710-2700 MHz EL (PHI=90).

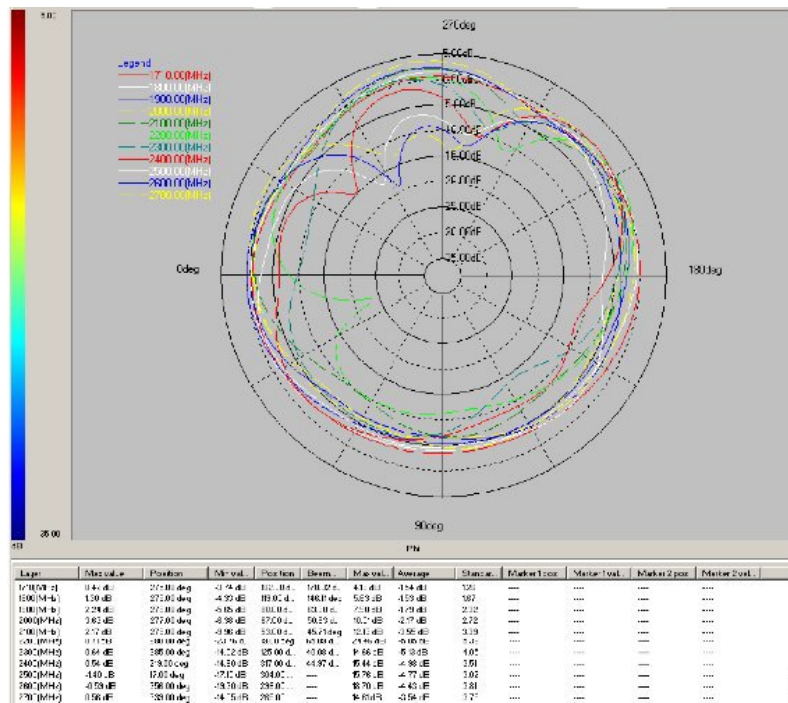


Figure 4: High Band 1710-2700 MHz EL (PHI=90)



The following figure shows High Band 1710-2700 MHz AZ (THETA=90).

Figure 5: High Band 1710-2700 MHz AZ (THETA=90)





## Supported Antennas

The following table lists the supported antennas.

**Table 3: Supported Antennas**

Part Number	Description
4G-LTE-ANTM-O-3-W	Indoor or outdoor low-profile antenna with 4-foot dongle, white radome.
4G-LTE-ANTM-O-3-B	Indoor or outdoor low-profile antenna with 4-foot dongle, black radome.
4G-LTE-ANTM-O-3-R	Indoor or outdoor low-profile antenna with 4-foot dongle, red radome.
ANT-4G-SR-OUT-TNC	Multiband low-profile saucer outdoor 4G Antenna
4G-LTE-ANTM-O-3-C	Indoor or outdoor low-profile antenna with 4-foot dongle, blue radome.

## Supported Antenna Accessories

The following table lists the supported antenna accessories.

**Table 4: Supported Antenna Accessories**

Part Number	Cable Length	Maximum Insertion Loss
4G-CAB-LMR240-25	25 foot (7.5 m)	2.1 dB @ 700 MHz 4.0 dB @ 2.6 GHz
4G-CAB-LMR240-50	50 foot (15 m)	4.1 dB @ 700 MHz 7.4 dB @ 2.6 GHz
4G-CAB-LMR240-75	75 foot (23 m)	6.1 dB @ 700 MHz 11.0 dB @ 2.6 GHz
4G-CAB-ULL-20	20 foot (6 m)	0.90 dB @ 700 MHz 1.8 dB @ 2.6 GHz
4G-CAB-ULL-50	50 foot (15 m)	2.2 dB @ 700 MHz 4.3 dB @ 2.6 GHz

## Antenna Options by Deployment Type

The following table lists the antenna options by deployment type.

Table 5: Antenna Options by Deployment Type

Deployment Type	Description	Antenna Accessories Required
Indoor	The antenna is installed indoors on a grounded metal surface and attached directly to a router.	None
Indoor, with extension	The antenna is installed on a grounded metal surface and attached to a router with extension cables.	<ul style="list-style-type: none"> <li>• 4G-CAB-LMR240-25</li> <li>• 4G-CAB-LMR240-50</li> <li>• 4G-CAB-LMR240-75</li> <li>• 4G-CAB-ULL-20</li> <li>• 4G-CAB-ULL-50</li> </ul>
Outdoor flush	The antenna is installed outdoors to a grounded metal surface and attached directly to a router mounted indoors.	None

## General Safety Precautions



### Warning

This warning symbol means danger. You are in a situation that could cause bodily injury. Before you work on any equipment, be aware of the hazards involved with electrical circuitry and be familiar with standard practices for preventing accidents. Use the statement number provided at the end of each warning to locate its translation in the translated safety warnings that accompanied this device. **Statement 1071**



### Warning

Do not work on the system or connect or disconnect cables during periods of lightning activity. **Statement 1001**



### Warning

Do not locate the outdoor antenna near overhead power lines or other electric light or power circuits, or where it can come into contact with such circuits. When installing the antenna, take extreme care not to come into contact with such circuits, as they may cause serious injury or death. For proper installation and grounding of the antenna, please refer to national and local codes (for example, U.S.:NFPA 70, National Electrical Code, Article 810, Canada:Canadian Electrical Code, Section 54). **Statement 1052**



### Warning

In order to comply with FCC radio frequency (RF) exposure limits, antennas should be located at a minimum of 7.9 inches (20 cm) or more from the body of all persons. **Statement 332**



### Note

For your safety, and to help you achieve a good installation, please read and follow these safety precautions.

### Mast Mounted or Building Mounted Installations

The following instructions are common to most mast mounted or building mounted installations. For specific installation instructions for each antenna, see the antenna data-sheet and the router hardware installation guide.

- Find someone to help you—installing an antenna is often a two-person job.
- Select your installation site with safety, as well as performance, in mind. Remember that electric power lines and phone lines look alike. For your safety, assume that any overhead line can kill you.
- Contact your electric power company. Tell them your plans and ask them to come look at your proposed installation.
- Do not use a metal ladder.
- Do not work on a wet or windy day.
- Do dress properly—wear shoes with rubber soles and heels, rubber gloves, and a long-sleeved shirt or jacket.
- If the assembly starts to drop, move away from it and let it fall. Because the antenna, mast, cable, and metal guy wires are all excellent conductors of electrical current, even the slightest touch of any of these parts to a power line completes an electrical path through the antenna and the installer.
- If any part of the antenna system should come in contact with a power line, do not touch it or try to remove it yourself. Call your local power company to have it removed safely.
- If an accident should occur with the power lines, call for qualified emergency help immediately.
- Assemble your new antenna on the ground or a level surface at the installation site.
- Connect its coaxial cable while you are on the ground and attach the antenna to the mast.
- Ensure that the mast does not fall as you raise or remove it. Use a durable non-conductive rope secured at each two foot level as the mast is raised. Have an assistant tend the rope, ready to pull the mast clear of any hazards (such as power lines) should it begin to fall.
- Use the mounting bracket provided with the antenna.
- If the installation will use guy wires:
  - Install guy anchor bolts.
  - Estimate the length of guy wire and cut it before raising the mast.
  - Attach guy wires to a mast using guy rings.
  - In the case of a guyed (tall, thin mast) installation, you must have at least one assistant to hold the mast upright while the guy wires are attached and tightened to the anchor bolts.
- Attach a “DANGER” label at eye level on the mast.
- Install ground rods to remove any static electricity buildup and connect a ground wire to the mast and ground rod. Use ground rods designed for that purpose, not a spare piece of pipe.

### Unused Antenna Ports

Port plugs must be installed in any unused antenna ports.

The weatherproof caps on the connectors protect the router interior from environmental elements including water, heat, cold, and dust. They are installed on unused ports before the router is shipped.

When you install a new antenna in a port with an N-connector:

- Chassis-mounted antennas—Remove the weather proof cap before installing a chassis-mounted antenna.
- External antennas—Remove weatherproof cap, then connect the supported Cisco cable to the connector.

## Guidelines to Achieving Optimal RF and Antenna Performance

Antennas are a critical component of a wireless communication system. Selecting a suitable antenna, an optimal antenna location, or antenna site is essential for optimum performance of a wireless links.

This section covers general tips for optimizing RF performance of indoor and outdoor terrestrial radio systems in the 400-7125 MHz frequency range. Examples of terrestrial radio systems include 4G LTE, 5G NR, Wi-Fi, LoRa, LR-WPAN and similar. In this context GPS SPS would not be considered a terrestrial system as the signal is received from space, not from another terrestrial site.

Because the antenna transmits and receives radio signals over the air, overall RF performance of the link is susceptible to RF obstructions and common sources of RF interference that can reduce throughput and range of the system.

Follow these guidelines to optimize performance. When in doubt, consult a qualified RF professional, and check with your solution partner for specific recommendations.

### Antenna Model Selection and Performance

Consider the following when planning your installation:

- When selecting the antenna, ensure that it covers the frequency ranges or frequency bands of interest, and that it has good RF parameters such as antenna efficiency, VSWR and suitable radiation pattern for every frequency range that your application will use with this antenna.
- Antenna pattern is important. Omni-directional antennas have lower gain, but allow communicating to devices in all azimuth directions. Directional antennas concentrate the beam in a specific direction, making them ideal for point to point communication.
- When a system has multiple RF ports for receive and / or transmit, as is the case for 4G LTE , 5G NR or Wi-Fi, it is highly recommended to populate all the RF ports with suitable antennas to take advantage of MIMO, rather than rely on a single port or single antenna to save on cost. Please see the MIMO section for a detailed description of MIMO benefits.
- For RF systems that support multiple RF ports and multiple RF standards such as LTE, Wi-Fi, and GPS: consider using a multi-element antenna that integrates multiple antennas under the same radome (cover). Doing so may reduce cost compared to deploying and mounting a discrete single port antenna for every RF port.
- For communication between fixed infrastructure devices, such as mesh nodes or a point-to-point backhaul link, each device should have an antenna with the same polarization. If communicating with mobile devices that might be randomly oriented, consider dual-polarized antennas, such as those with both vertical and horizontal or slant +45° and -45° polarized elements.

## Antenna Environmental Specifications

The selected antenna must have suitable mechanical and environmental specifications for the environment where it will be deployed. For example, shock and vibration specifications for transportation, corrosion resistant construction for marine and oil and gas industries, or IP (ingress protection) rating for outdoor deployment. Indoor antennas are typically not suitable for harsh industrial environments. Please check with your system integrator for environmental requirements for your application.

## Antenna Accessories and Mounting

Consider the following when planning your installation:

- Carefully consider what type of other RF accessories, besides antenna, such as RF cables, lightning arrestors or RF adapters may be required in your installations. It is best to minimize long RF cable runs due to RF signal losses in the cable. Thinner RF cables have more RF loss, thicker cables are less flexible and more expensive.
- Carefully consider how the antenna will be physically mounted, as this may affect antenna selection. For example, a stud mount mechanical mounting design is a better fit for mounting on top of an electrical cabinet than a mast mount antenna.
- For outdoor deployments, follow installation instructions for the antenna. It is good practice to keep protective covers on the radio's RF ports and any antenna or accessory RF ports until the moment the interfaces are mated. This reduces chances of contamination, trapping water or condensation inside the connector, or accidental damage to RF interfaces.

## MIMO Performance and Arrays

MIMO systems deliver benefits of higher SNR, higher reliability and higher throughput compared to single antenna systems. In more technical terms, MIMO delivers array gain, diversity gain and multiplexing gain compared to single antenna.

- Array gain — Improvement in SNR (signal to noise ratio) by coherently combining signals from multiple antennas. For example, increasing SNR through beamforming techniques.
- Diversity gain — Improvement in reliability by mitigating deep fading or strong destructive EM wave interference. For example, in a two-antenna system, if one antenna is experiencing deep fading due to an EM destructive null at its location at a given instant, the other antenna is unlikely to have a null at the same instant, and the combined SNR stays at a reliable level. In contrast, a single antenna would see SNR oscillating between good SNR and very poor SNR and reliability would degrade.
- Multiplexing gain — Increase in system capacity or throughput by sending independent data over multiple spatial streams simultaneously. The number of streams cannot be more than the number of antennas. For example, to support three spatial streams, a minimum of three antennas is required. Often there may be additional antennas for diversity or redundancy, such as in the case of 4x4:3, or 4x4 MIMO with 3 spatial streams.

If deploying multiple single-element antennas for a MIMO system in an array, ensure sufficient spacing between the antennas. Omnidirectional elements should generally be at least one wavelength apart at the lowest operating frequency.

Consider the following:

- For Wi-Fi systems operating in the 2.4, 5, and/or 6 GHz bands, space elements at least 5 inches (12.5 cm) apart.

- For 4G LTE and 5G systems with the lowest operating frequency of 617 MHz , space elements at least 20 inches (50 cm) apart.
- Note that spacing between elements inside multi-element MIMO antennas is often less than one wavelength. However multi-element antennas are engineered with MIMO performance in mind, by providing antenna diversity through pattern, polarization, and isolation between MIMO elements.

### Antenna siting and location

Consider the following when planning your installation:

- Plan antenna location ahead of time. Ideal location for an antenna is in LOS (line of sight) of the counterpart that it is trying to communicate with. Under LOS conditions the signals propagate directly between the two communication nodes, without relying on signal bouncing off a wall or other structure to reach the counterpart. This is sometimes not possible to achieve in practice, but it is a useful goal to keep in mind when optimizing antenna location.
- While it is good to keep RF cables short, it is most desirable for an antenna to be in the best location it can be to provide the desired coverage.
- For large deployments involving multiple units communicating with each other across a complex urban or industrial landscape, consider running an RF propagation modeling study to predict approximate simulated coverage maps and determine initial placement of the units. A propagation study may help reduce overall deployment cost by discovering and mitigating issues with RF coverage before the infrastructure is physically installed.
- Keep the antenna away from metal obstructions such as heating and air-conditioning ducts, large ceiling trusses, building superstructures, and major power cabling runs. One exception is if the antenna is designed to be mounted on a ground plane. If mounting on a ground plane, mount the antenna on a flat metal surface away from adjacent obstructions.
- It is strongly recommended not to install antennas directly on the router or access point (AP), unless the router or AP is specifically engineered to directly mount the antennas. Products that are engineered for direct mounting of antennas specifically address each of the below issues.
- Reasons to mount antennas away from the router include:
  - Router location may not be optimal location for antenna to communicate with the counterpart wirelessly, so router and antenna may need to be in different locations.
  - Router may have a clutter of Ethernet cable and power cables around it, which will obstruct antenna signal.
  - A number of routers, such as the IR1835, are modular. They have plug-in RF modules for Wi-Fi , 4G LTE or 5G NR such as WP-WIFI6, P-LTEAP18-GL, P-5GS6-GL. These modules have RF connectors spaced close together, and while it is mechanically possible to install four or five antennas directly attached, this will result in significant degradation to RF performance of antennas due to mutual de-tuning between closely spaced antennas. It is strongly recommended to install antennas away from the chassis in modular cases.
- If installing an antenna indoors, consider that the density and electromagnetic properties of the materials used in the building construction determines the number of walls the signal can pass through and still maintain adequate coverage.
  - Paper and vinyl walls have very little effect on signal penetration.

- Solid and pre-cast concrete walls limit signal penetration to one or two walls without degrading coverage.
- Concrete and wood block walls limit signal penetration to three or four walls.
- A signal can penetrate five or six walls constructed of drywall or wood.
- A thick metal wall causes signals to reflect off, causing poor penetration.
- A chain link fence or wire mesh spaced between 1 and 1 1/2 in. (2.5 and 3.8 cm) acts as a harmonic reflector that blocks a 2.4-GHz radio signal.
- Install the antenna away from microwave ovens and 2-GHz cordless phones. These products can cause signal interference because they operate in the same frequency range as the device your antenna is connected to.

## Installation Instructions

The following section contains steps for installing the 4G-LTE-ANTM-O-3-B antenna:

---

**Step 1** While choosing the location, keep the following in mind:

- Attempt to center the antenna on a flat plane.

Attempt to position the antenna so that it has 8 inches of flat plane in any given direction.

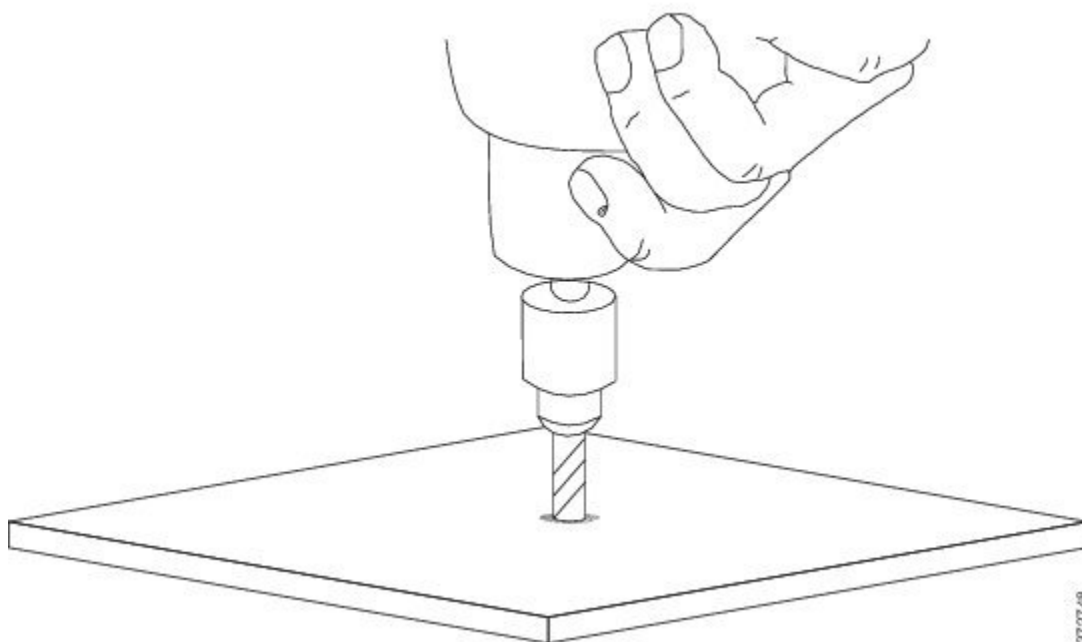
Attempt to space at least 16 inches from an adjacent antenna or metallic structure and choose a location with gentle surface curves to ensure proper sealing.

Ensure that there is a space that is 2 inches deep and 2 inches in diameter below the mounting surface to allow sufficient clearance for the mounting stud, hardware, and cables.

Ensure that the diameter of the hole is 5/8 inch.

**Step 2** Drill a hole through the mounting surface where the center of the antenna is located. Ensure that the hole is deburred of sharp edges to prevent cable damage during installation.



**Figure 6: Drill the Mounting Surface**

- Step 3** Clean the mounting surface around the hole. The surface must be free of any debris, which would otherwise prevent the antenna's inner foam gasket from adhering to or the outer rubber gasket from forming a seal.
- Step 4** Remove the nut from the mounting stud and cables one by one.
- Step 5** Insert the mounting stud through the hole and then thread the cables through the serrated face nut one by one.

**Warning** It is important that the orientation of the serrated face nut should be correct. Otherwise, the serrated part of the lock nut will not bite into the mounting stud.

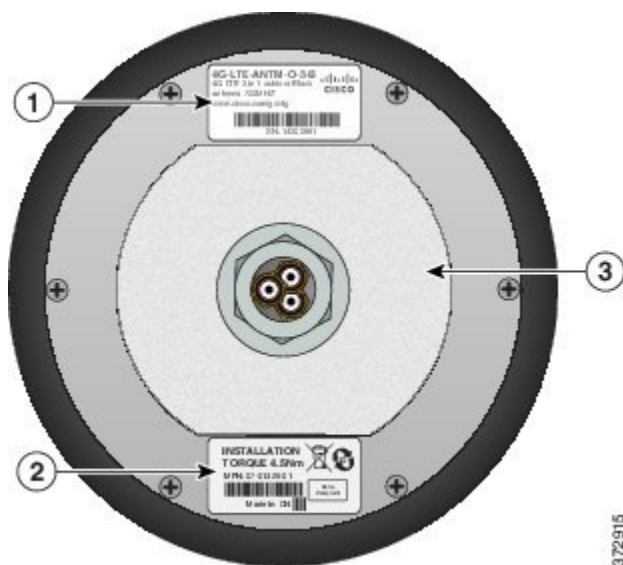
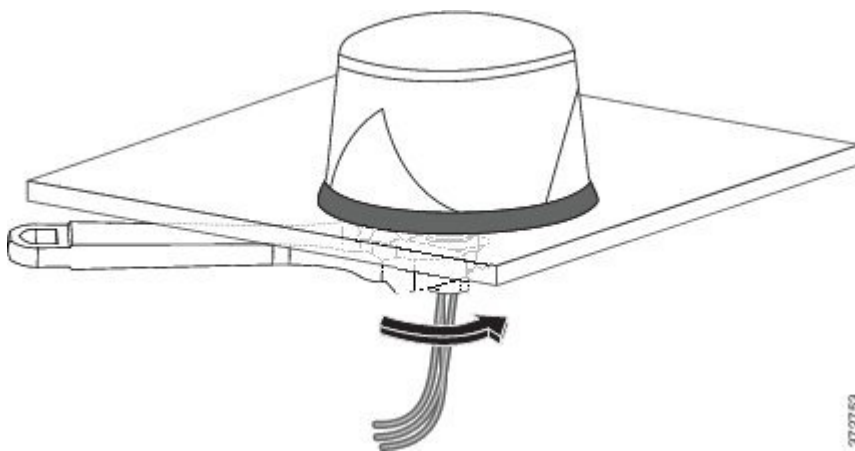
**Figure 7: Bottom View of the Antenna**

Table 6:

Item	Description
1	Product ID and Serialization Label
2	MPN and Torque Label
3	Liner

**Step 6** Position the antenna onto the mounting surface and tighten the nut hand-tight, as shown in the following figure. Tighten it further using a wrench until the antenna is fully seated. Visually inspect the outer rubber antenna gasket to ensure that it has been compressed and sealed tightly against the mounting surface and radome.

Figure 8: Tighten the Nut after the Antenna is fully seated

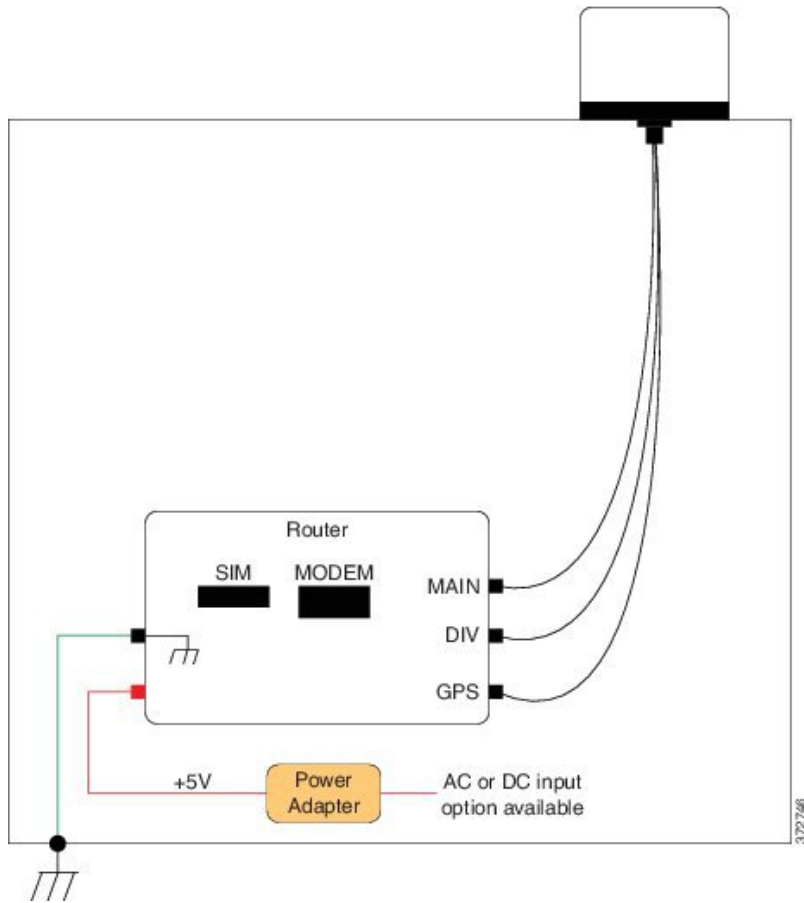


## Deployment Scenarios

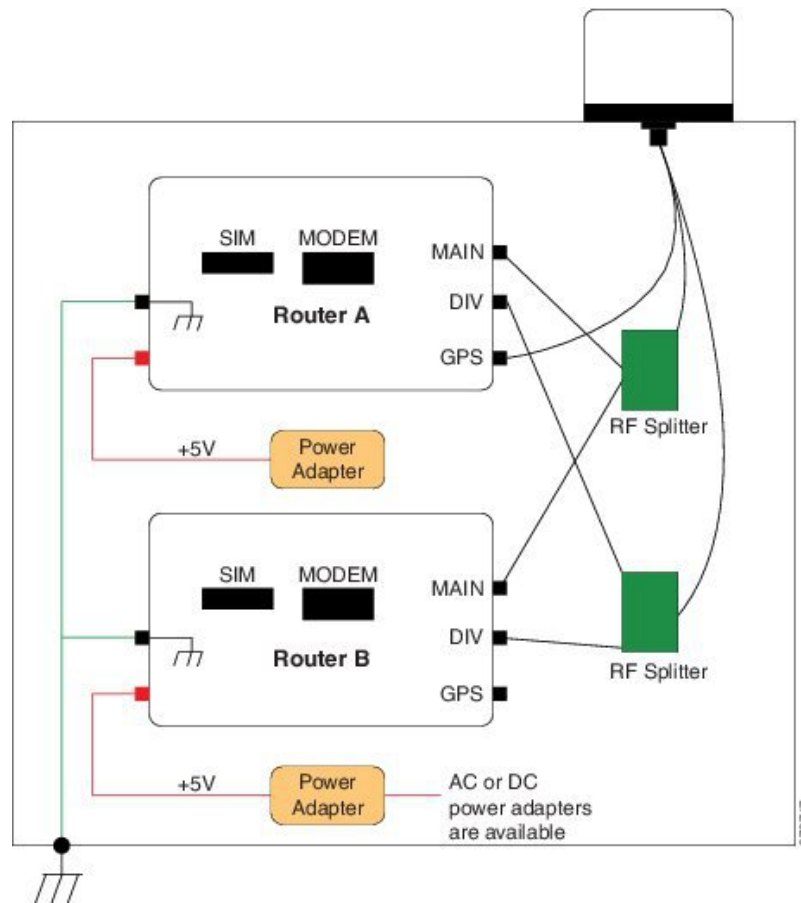
The following figure shows the deployment of the 4G-LTE-ANTM-0-3-B antenna on an ATM with a single router.



**Note** All the three antenna cables are SubMiniature version A (SMA-male) connectors, but the MAIN and the Diversity (DIV) of the router has the Threaded Neill–Concelman (TNC-female) connectors, and the GPS has an SMA-female connector. In this case, an SMA-female to TNC-male adapter needs to be used to connect the SMA-male connectors to the MAIN and DIV of the router because they cannot be connected to the SMA-male connectors directly.



The following figure shows the deployment of 4G-LTE-ANTM-0-3-B on an ATM with dual routers.



## Communications, Services, and Additional Information

- To receive timely, relevant information from Cisco, sign up at [Cisco Profile Manager](#).
- To get the business impact you're looking for with the technologies that matter, visit [Cisco Services](#).
- To submit a service request, visit [Cisco Support](#).
- To discover and browse secure, validated enterprise-class apps, products, solutions, and services, visit [Cisco DevNet](#).
- To obtain general networking, training, and certification titles, visit [Cisco Press](#).
- To find warranty information for a specific product or product family, access [Cisco Warranty Finder](#).

## Cisco Bug Search Tool

[Cisco Bug Search Tool](#) (BST) is a web-based tool that acts as a gateway to the Cisco bug tracking system that maintains a comprehensive list of defects and vulnerabilities in Cisco products and software. BST provides you with detailed defect information about your products and software.

## Documentation Feedback

To provide feedback about Cisco technical documentation, use the feedback form available in the right pane of every online document.

## Cisco Support Community

Cisco Support Community is a forum for you to ask and answer questions, share suggestions, and collaborate with your peers. Join the forum at <https://supportforums.cisco.com/index.jspa>.