



# cnBNG Installation and Configuration

- [Feature Summary and Revision History, on page 1](#)
- [Feature Description, on page 2](#)
- [Installing cnBNG and Accessing BNG Ops Center, on page 3](#)
- [Mapping Pods with Node Labels, on page 18](#)
- [High Availability Support on BareMetal Server, on page 19](#)
- [cnBNG CNF Deployment on AIO BareMetal Server, on page 19](#)
- [cnBNG Cluster Deployment Using Inception Server, on page 27](#)

## Feature Summary and Revision History

### Summary Data

**Table 1: Summary Data**

Applicable Product(s) or Functional Area	cnBNG
Applicable Platform(s)	SMI
Feature Default Setting	Disabled - Configuration Required
Related Changes in this Release	Not Applicable
Related Documentation	Not Applicable

### Revision History

**Table 2: Revision History**

Revision Details	Release
Introduced support for cnBNG Cluster Deployment Using Inception Server.	2023.04.0

Revision Details	Release
Introduced support for the cnBNG CNF Deployment on AIO BareMetal Server.	2022.02.0
cnBNG CP deployment on bare metal server is supported (with support for IPoE, PPPoE, LAC and LNS call models and High Availability) and fully qualified in this release.	2022.01.0
First introduced.	2021.01.0

## Feature Description

This chapter describes cnBNG installation and configuration using the Ultra Cloud Core Subscriber Microservices Infrastructure (SMI) Cluster Manager and the BNG Operations (Ops) Center. The BNG Ops Center is based on the ConfD command line interface (CLI).

To install the SMI Cluster Manager, refer to the "Deploying the SMI Cluster Manager on VMware vCenter" section in the *Ultra Cloud Core Subscriber Microservices Infrastructure - Deployment Guide*.

The SMI Ops Center is the platform to install the cnBNG cluster with the offline or online repository. It is mandatory to install the SMI Ops Center to set up and access the BNG Ops Center.




---

**Note** To access the offline or online repository, contact your Cisco Account Manager or representative to get access to the offline or online repository.

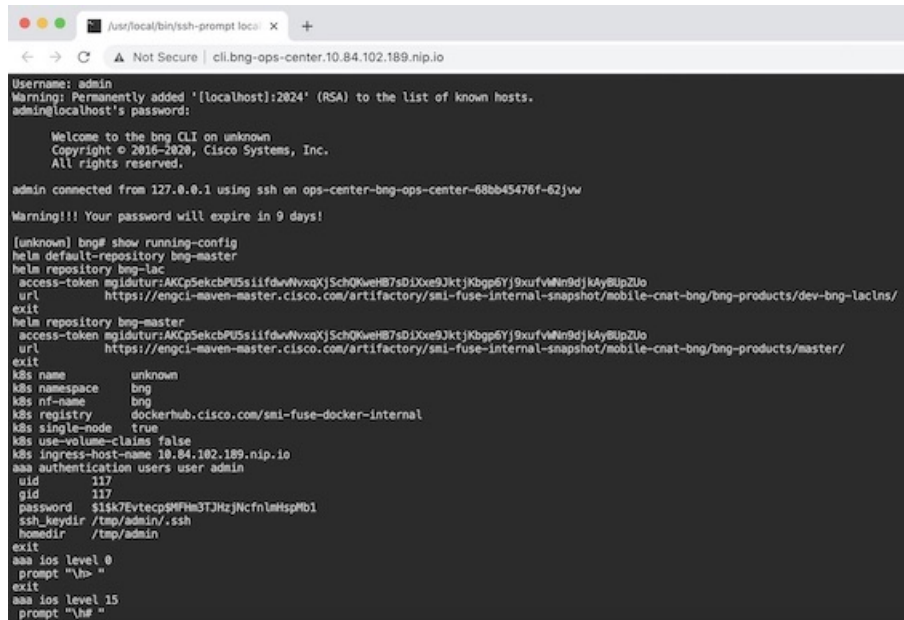
---

## BNG Ops Center

The BNG Ops Center is a system-level infrastructure that provides the following functionality:

- A user interface to trigger a deployment of microservices with the flexibility of providing variable helm chart parameters to control the scale and properties of Kubernetes objects (deployment, pod, services, and so on) associated with the deployment.
- A user interface to push application-specific configuration to one or more microservices through Kubernetes configuration maps.
- A user interface to issue application-specific execution commands (such as show and clear commands). These commands:
  - Invoke some APIs in application-specific pods
  - Display the information returned on the user interface application

The following figure shows a sample of the web-based CLI presented to the user.



```

Username: admin
Warning: Permanently added '[localhost]:2024' (RSA) to the list of known hosts.
admin@localhost's password:

Welcome to the bng CLI on unknown
Copyright © 2016-2020, Cisco Systems, Inc.
All rights reserved.

admin connected from 127.0.0.1 using ssh on ops-center-bng-ops-center-68bb45476f-62jvw
Warning!!! Your password will expire in 9 days!

[unknown] bng# show running-config
helm default-repository bng-master
helm repository bng-lac
access-token ngldtutur:AKCp5ekcbPU5siifdwWVxqXjSchQkweH7sDjXve9JktjKbqp6Yj9xufvMn9djkAy8lp2Jo
url https://engcl-maven-master.cisco.com/artifactory/smi-fuse-internal-snapshot/mobile-cnat-bng/bng-products/dev-bng-lac/
exit
helm repository bng-master
access-token ngldtutur:AKCp5ekcbPU5siifdwWVxqXjSchQkweH7sDjXve9JktjKbqp6Yj9xufvMn9djkAy8lp2Jo
url https://engcl-maven-master.cisco.com/artifactory/smi-fuse-internal-snapshot/mobile-cnat-bng/bng-products/master/
exit
k8s name unknown
k8s namespace bng
k8s nf-name bng
k8s registry dockerhub.cisco.com/smi-fuse-docker-internal
k8s single-node true
k8s use-volume-claims false
k8s ingress-host-name 10.84.102.189.nip.io
aaa authentication users user admin
uid 117
gid 117
password $1sk7Ertccp9PHm3TJHzjNcfnlMispMb1
ssh_keydir /tmp/admin/.ssh
homedir /tmp/admin
exit
aaa ios level 0
prompt "h> "
exit
aaa ios level 15
prompt "h# "

```

The BNG Ops Center allows you to configure features such as licensing, REST endpoint, and CDL.

For information on how to deploy BNG Ops Center on bare metal servers (currently Cisco UCS-C servers) environment, see "Operating the SMI Cluster Manager on Bare Metal" section in the *Ultra Cloud Core Subscriber Microservices Infrastructure — Operations Guide*.

## Installing cnBNG and Accessing BNG Ops Center

This section describes how to install cnBNG and access the BNG Ops Center.

The Ultra Cloud Core SMI platform is responsible for setting up and managing the Cloud Native Broadband Network Gateway application.

### Prerequisites

Before installing cnBNG on the SMI layer in an offline environment:

- Ensure that the SMI Cluster Manager all-in-one (AIO) is installed. This helps orchestrate the K8s Cluster and load the image.
- Ensure that all SMI K8s cluster nodes are in Ready state.
- Run the SMI synchronization operation for the BNG Ops Center and Cloud Native Common Execution Environment (CN-CEE).

For CEE installation, refer to the *Ultra Cloud Core Common Execution Environment- Configuration and Administration Guide*.

- Ensure that the local repositories, which host the product offline TAR ball version, is installed.

## System Requirements

Feature	Description
Disk Space	2 x 800 GB SSD (RAID 1) or equivalent input/output operations per second (IOPS) and redundancy.
Hardware	<ul style="list-style-type: none"> <li>• High-performance x86 64-bit chipset</li> <li>• CPU performance Passmark benchmark of 13K rating per chip and 1,365 rating per thread, or better</li> <li>• VMware ESXi-compatible</li> </ul> <p><b>Note</b> The following is recommended:</p> <ul style="list-style-type: none"> <li>• Cisco UCSM5 series blade servers to achieve the best performance.</li> <li>• All the host servers should be UCSC-C240-M5SX or UCSC-C220-M5SX.</li> <li>• All the UCS systems should have SSD storage type.</li> <li>• UCS C240M5 servers for better performance and to avoid infrastructure issues.</li> </ul>
Platform	VMware ESXi and VMware vCenter versions 6.5 and 6.7 <p><b>Note</b> SMI Cluster Manger support is qualified on the preceding platforms.</p>
Memory	<ul style="list-style-type: none"> <li>• At least DDR3-1600 or better than 1600 MT/s</li> <li>• ECC</li> </ul>
Deployment Requirement	Hardware oversubscription, network saturation, or CPU oversubscription reduces application performance and productivity. The Cisco Ultra Cloud Core Subscriber Microservices Infrastructure detects and takes action when infrastructure requirements are not met.

## Installing cnBNG in an Offline Environment

Using the SMI Cluster Manager, download the offline TAR ball of the cnBNG, the host and its charts, and corresponding images in the local registries. The SMI Cluster Manager supports the deployment of the BNG Ops Center and all the applications and services associated with it. This section describes the procedures involved in installing cnBNG in an offline environment using the SMI Cluster Manager.

To install cnBNG, complete the following steps:

1. Download the TAR ball from the URL.

**software-packages download** *URL*

**Example:**

```
SMI Cluster Manager# software-packages download
http://<ipv4address>:<port_number>/packages/bng-2021-02-1.tar
```

2. Verify whether the TAR balls are loaded.

```
software-packages list
```

**Example:**

```
BNG Cluster Manager# software-packages list
[ bng-2021-02-1 ]
[ sample ]
```

3. Configure the necessary SMI Ops Center parameters in the cluster to install cnBNG.

```
config
```

```
cluster cluster_name
ops-centers app_name instance_name
repository url
netconf-ip ipv4_address
netconf-port port
ssh-ip ipv4_address
ssh-port port
ingress-hostname <ipv4_address>.<customer_specific_domain_name>
initial-boot-parameters use-volume-claims true/false
initial-boot-parameters first-boot-password password
initial-boot-parameters auto-deploy true/false
initial-boot-parameters single-node true/false
initial-boot-parameters image-pull-secrets
exit
```

```
exit
```

**Example:**

```
SMI Cluster Manager# config
Entering configuration mode terminal
SMI Cluster Manager(config)# clusters cnbng-smi-cluster-01
SMI Cluster Manager(config-clusters-cnbng-smi-cluster-01)# ops-centers bng bng
SMI Cluster Manager(config-ops-centers-bng/bng)# repository
https://charts.10.10.105.50.nip.io/bng-2021.02.1
SMI Cluster Manager(config-ops-centers-bng/bng)# ingress-hostname 10.10.105.34.nip.io
SMI Cluster Manager(config-ops-centers-bng/bng)# initial-boot-parameters use-volume-claims
true
SMI Cluster Manager(config-ops-centers-bng/bng)# initial-boot-parameters
first-boot-password test123
SMI Cluster Manager(config-ops-centers-bng/bng)# initial-boot-parameters auto-deploy
false
SMI Cluster Manager(config-ops-centers-bng/bng)# initial-boot-parameters single-node
false
SMI Cluster Manager(config-ops-centers-bng/bng)# exit
SMI Cluster Manager(config-clusters-cnbng-smi-cluster-01)# exit
SMI Cluster Manager(config)#
```

4. Configure the secrets, if your local registry contains secrets.

```
config
```

```
cluster cluster_name
secrets docker-registry secret_name
docker-server server_name
docker-username username
docker-password password
```

```

docker-email email
namespace k8s namespace
commit
exit
exit

```

**Example:**

```

SMI Cluster Manager# config
SMI Cluster Manager(config)# clusters test2
SMI Cluster Manager(config-clusters-test2)# secrets docker-registry sec1
SMI Cluster Manager(config-docker-registry-sec1)# docker-server serv1
SMI Cluster Manager(config-docker-registry-sec1)# docker-username user1
SMI Cluster Manager(config-docker-registry-sec1)# docker-password Cisco@123
SMI Cluster Manager(config-docker-registry-sec1)# docker-email reg@cisco.com
SMI Cluster Manager(config-docker-registry-sec1)# bng bng
SMI Cluster Manager(config-docker-registry-sec1)# exit
SMI Cluster Manager(config-clusters-test2)# exit
SMI Cluster Manager(config)#

```

**5. Run the cluster synchronization.**

```
clusters cluster_name actions sync run
```

**Example:**

```
SMI Cluster Manager# clusters cnbng-smi-cluster-01 actions sync run
```

**Notes:**

- **software-packages download url**—Specifies the software packages to be downloaded through HTTP/HTTPS.
- **software-packages list**—Specifies the list of available software packages.
- **ops-centers app\_name instance\_name**—Specifies the BNG Ops Center and instance. *app\_name* is the application name. *instance\_name* is the name of the instance.
- **repository url**—Specifies the local registry URL for downloading the charts.
- **netconf-ip ipv4\_address**—Specifies the BNG Ops Center netconf IPv4 address.
- **netconf-port port**—Specifies the BNG Ops Center netconf port number.
- **ssh-ip ipv4\_address**—Specifies the SSH IPv4 address for the BNG Ops Center.
- **ssh-port port**—Specifies the SSH port number for the BNG Ops Center.
- **ingress-hostname <ipv4\_address>.<customer\_specific\_domain\_name>**—Specifies the ingress hostname to be set to the BNG Ops Center. *<customer\_specific\_domain\_name>* specifies the domain name of the customer.
- **initial-boot-parameters**—Specifies the initial boot parameters for deploying the helm charts.
  - **use-volume-claims true/false**—Specifies the usage of persistent volumes. Set this option to True to use persistent volumes. The default value is true.
  - **first-boot-password password**—Specifies the first boot password for the product's Ops Center.
  - **auto-deploy true/false**—Auto deploys all the services of the product. Set this option to false to deploy only the product's Ops Center.

- **single-node** *true/false*– Specifies the product deployment on a single node. Set this option to false for multi node deployments.
- **image-pull-secrets**–Specifies the docker registry secret name to be used.
- **secrets docker-registry** *secret\_name*–Specifies the secret name for your docker registry.
  - **docker-server** *server\_name*–Specifies the docker server name.
  - **docker-username** *username*–Specifies the docker registry user name.
  - **docker-password** *password*–Specifies the docker registry password.
  - **docker-email** *email*–Specifies the docker registry email.
  - **namespace** *namespace*–Specifies the docker registry namespace.

### Verifying the cnBNG Installation

Verify the status of the cnBNG installation deployment through the cnBNG CLI. To verify, use the following commands:

1. Log in to the cnBNG product CLI.
2. Verify whether the charts are loaded in the specific instance (verify the namespace).

#### **show helm charts**

##### **Example:**

```
bng# show helm charts
CHART      INSTANCE  STATUS   VERSION  REVISION  RELEASE  NAMESPACE
-----
infra-charts - DEPLOYED 0.0.6-rel-2021-01-0073-210208130850-fac5207 1 bng-bng-infra-charts
bng-bng
oam-pod - DEPLOYED 0.1.2-rel-2021-01-0144-210122165946-fcb74ed 1 bng-bng-oam-pod bng-bng
bng-dashboard - DEPLOYED 0.0.1-rel-2021-01-0039-210122165311-0d542be 1
bng-bng-bng-dashboard bng-bng
etcd-cluster - DEPLOYED 0.7.0-0-7-0060-210203074532-f118407 1 bng-bng-etcd-cluster bng-bng
ngn-datastore - DEPLOYED 1.3.0-1-3-0782-210125161812-f50a892 1 bng-bng-ngn-datastore
bng-bng
```

3. Verify the status of the system.

#### **show system status**

##### **Example:**

```
bng# show system status
system status deployed true
system status percent-ready 100.0
```

#### **Notes:**

- **show helm charts**–Displays the helm release details.
- **show system status**–Displays the status of the system.

## Accessing BNG Ops Center

You can connect to the BNG Ops Center through SSH or the web-based CLI console.

### 1. SSH:

```
ssh admin@ops_center_pod_ip -p 2024
```

### 2. Web-based console:

a. Log in to the Kubernetes master node.

b. Run the following command:

```
kubectl get ingress <namespace>
```

The available ingress connections get listed.

c. Select the appropriate ingress and access the BNG Ops Center.

d. Access the following URL from your web browser:

```
cli.<namespace>-ops-center.<ip_address>.nip.io
```

By default, the Day 0 configuration is loaded into the cnBNG.

### Day 0 Configuration

To view the Day 0 configuration, run the following command.

```
show running-config
```

The following is a sample Day 0 configuration:

```
luser@cnbng-smi-cluster-master1:~$ kubectl get svc -n bng-bng | grep
ops-center-bng-bng-ops-center
NAME                                TYPE                CLUSTER-IP          EXTERNAL-IP          PORT(S)
ops-center-bng-bng-ops-center      ClusterIP           10.96.151.115      <none>
8008/TCP,8080/TCP,2024/TCP,2022/TCP,7681/TCP  7m37s
luser@cnbng-smi-cluster-master1:~$ ssh admin@10.96.151.115 -p 2024
Warning: Permanently added '[10.96.151.115]:2024' (RSA) to the list of known hosts.
admin@10.96.151.115's password:

Welcome to the bng CLI on cnbng-smi-cluster/bng
Copyright © 2016-2020, Cisco Systems, Inc.
All rights reserved.

admin connected from 192.202.0.1 using ssh on ops-center-bng-bng-ops-center-7bddd4cc48-fmb61
[cnbng-smi-cluster/bng] bng# show running-config
system mode running
helm default-repository base-repos
helm repository base-repos
url
https://engci-maven-master.cisco.com/artifactory/smi-fuse-internal-snapshot/mobile-cnat-bng/bng-products/master/
username <username>
password <password>
exit
k8s name          cnbng-smi-cluster
k8s namespace     bng-bng
k8s nf-name       bng
k8s registry      dockerhub.cisco.com/smi-fuse-docker-internal
k8s single-node   false
```



```
k8s use-volume-claims true
k8s ingress-host-name 192.0.2.2.nip.io
aaa authentication users user admin
uid          1117
gid          1117
password    $1$EmkQjvc0$o8K5tXmUzN1.drQgCL0A2/
ssh_keydir  /tmp/admin/.ssh
homedir     /tmp/admin
exit
aaa ios level 0
prompt "\h> "
exit
aaa ios level 15
prompt "\h# "
exit
aaa ios privilege exec
level 0
  command action
  exit
  command autowizard
  exit
  command enable
  exit
  command exit
  exit
  command help
  exit
  command startup
  exit
exit
level 15
  command configure
  exit
exit
exit
nacm write-default deny
nacm groups group admin
user-name [ admin ]
exit
nacm rule-list admin
group [ admin ]
rule any-access
  action permit
exit
exit
nacm rule-list confd-api-manager
group [ confd-api-manager ]
rule any-access
  action permit
exit
exit
nacm rule-list ops-center-security
group [ * ]
rule change-self-password
  module-name      ops-center-security
  path             /smiuser/change-self-password
  access-operations exec
  action           permit
exit
rule smiuser
  module-name      ops-center-security
  path             /smiuser
  access-operations exec
  action           deny
```

```

exit
exit

deployment
  app-name      BNG
  cluster-name  Local
  dc-name       DC
exit
k8 bng
  etcd-endpoint      etcd:2379
  datastore-endpoint datastore-ep-session:8882
  tracing
    enable
    enable-trace-percent 30
    append-messages      true
    endpoint              jaeger-collector:9411
  exit
exit
k8 label protocol-layer key smi.cisco.com/node-type value protocol
exit
k8 label service-layer key smi.cisco.com/node-type value service
exit
k8 label cdl-layer key smi.cisco.com/node-type value session
exit
k8 label oam-layer key smi.cisco.com/node-type value oam
exit
instances instance 1
  system-id DC
  cluster-id Local
  slice-name 1
exit
local-instance instance 1
system mode shutdown
helm default-repository base-repos
helm repository base-repos
  url
https://engci-maven-master.cisco.com/artifactory/smi-fuse-internal-snapshot/mobile-cnat-bng/bng-products/master/

  username smf-deployer.gen
  password ***
exit
k8s name      svi-cn-bng-tb3
k8s namespace bng-bng
k8s nf-name   bng
k8s registry  dockerhub.cisco.com/smi-fuse-docker-internal
k8s single-node false
k8s use-volume-claims true
k8s ingress-host-name 10.81.103.86.nip.io
aaa authentication users user admin
  uid      1117
  gid      1117
  password $1$vDWeJvJm$v46wiBWqdOj7eWgoPoZZE/
  ssh_keydir /tmp/admin/.ssh
  homedir   /tmp/admin
exit
aaa ios level 0
  prompt "\h> "
exit
aaa ios level 15
  prompt "\h# "
exit
aaa ios privilege exec
  level 0
  command action
  exit

```

```

command autowizard
exit
command enable
exit
command exit
exit
command help
exit
command startup
exit
exit
level 15
  command configure
  exit
exit
exit
nacm write-default deny
nacm groups group admin
  user-name [ admin ]
exit
nacm rule-list admin
  group [ admin ]
  rule any-access
  action permit
  exit
exit
nacm rule-list confd-api-manager
  group [ confd-api-manager ]
  rule any-access
  action permit
  exit
exit
nacm rule-list ops-center-security
  group [ * ]
  rule change-self-password
    module-name      ops-center-security
    path              /smiuser/change-self-password
    access-operations exec
    action             permit
  exit
  rule smiuser
    module-name      ops-center-security
    path              /smiuser
    access-operations exec
    action             deny
  exit
exit

```

## CP and UP Service Configuration

The CP service requires the basic configuration to process the API calls.




---

**Note** For information about the User Plane service configuration, refer to the *Cloud Native BNG User Plane Configuration Guide for Cisco ASR 9000 Series Routers, IOS XR Release 7.3.x*

---

### Configuring the CP

The CP configuration is provided using the Ops Center infrastructure.

The following is a sample CP configuration:

```

ipam
instance 1
source local
address-pool <dummy-pool-1>
vrf-name default
ipv4
split-size
per-cache 8192
per-dp 8192
exit
address-range 10.0.0.1 10.10.255.255
exit
ipv6
address-ranges
split-size
per-cache 8192
per-dp 8192
exit
address-range 2001:DB8::1 2001:DB8::ff00
exit
prefix-ranges
split-size
per-cache 8192
per-dp 1024
exit
prefix-length 56
prefix-range 2001:db0:: length 40
exit
exit
exit
address-pool dummy-pool2
vrf-name default
ipv6
prefix-ranges
split-size
per-cache 8192
per-dp 1024
exit
prefix-range 2001:DB8:: length 48
exit
exit
exit
address-pool slaac-radius
vrf-name default
ipv6
prefix-ranges
split-size
per-cache 8192
per-dp 1024
exit
prefix-range 2001:DB8:: length 48
exit
exit
exit
address-pool static-dummy-pool2
vrf-name default
static enable user-plane dummy-asr9k-1
ipv6
prefix-ranges
split-size
no-split
exit

```

```
        prefix-range 2001:DB8:: length 48
    exit
    exit
    exit
    exit
exit
cdl node-type session
cdl logging default-log-level error
cdl datastore session
    slice-names [ 1 ]
    endpoint replica 2
    endpoint settings slot-timeout-ms 750
    index replica 2
    index map 1
    slot replica 2
    slot map 2
    slot notification limit 300
exit
cdl kafka replica 1
!
profile dhcp dummy-dhcp-server1
    ipv4
        mode server
        server
            pool-name    dummy-pool-1
            dns-servers [ network-dns ]
            lease days 1
            lease hours 2
            lease minutes 3
        exit
    exit
    ipv6
        mode server
        server
            iana-pool-name dummy-pool-1
            iapd-pool-name dummy-pool-1
            lease days 10
            lease hours 0
            lease minutes 4
        exit
    exit
exit
profile pppoe pppoe-prof
    mtu 1500
    ctrl-pkt-priority 7
    service-selection-disable true
    max-payload minimum 1492 maximum 1540
    session-limit max 64000 threshold 60000
exit
profile pppoe pppl
    mtu 1492
exit
profile aaa dummy-aaa-prof
    authentication
        method-order [ dummy-ser-grp ]
    exit
    authorization
        type subscriber method-order [ dummy-ser-grp ]
        username identifier client-mac-address
        password <any-password>
    exit
    accounting
        method-order [ dummy-ser-grp ]
    exit
```

```

exit
profile server-group dummy-ser-grp
  radius-group dummy-ser-grp
exit
profile attribute-format attr1
  format-order [ client-mac-address ]
exit
profile attribute-format attr2
  format-order [ addr ]
exit
profile attribute-format attr3
  format-order [ username ]
exit
profile subscriber dummy-sub-prof
  dhcp-profile          dummy-dhcp-server1
  pppoe-profile         ppp1
  session-type          ipv4v6
  activate-feature-templates [ svcl VOICE TV ]
  aaa authorize dummy-aaa-prof
exit
profile feature-template VOICE
  qos
  in-policy    VOICE_INGRESS
  out-policy   VOICE_EGRESS
  merge-level 40
  exit
exit
profile feature-template APPS
  http-policy ACCESS-PBR
exit
profile feature-template TV
  qos
  in-policy    TV_INGRESS
  out-policy   TV_EGRESS
  merge-level 50
  exit
exit
profile feature-template svcl
  vrf-name default
  ipv4
  mtu          1492
  disable-unreachables
  verify-unicast-source reachable-via-rx
  exit
  ipv6
  mtu          1492
  ingress-acl  ipv6-acl-in-1
  egress-acl   ipv6-acl-out-1
  disable-unreachables
  verify-unicast-source reachable-via-rx
  exit
  session-accounting
  enable
  aaa-profile    dummy-aaa-prof
  periodic-interval 1800
  exit
exit
!
profile feature-template HSI_100M_5MQ
  qos
  in-policy    HSI_UPLOAD_RATE_100MB_IN
  out-policy   HSI_DOWNLOAD_RATE_100MB_OUT
  merge-level 30
  exit

```

```
service-accounting
  enable
  aaa-profile      aaa-profl
  periodic-interval 120
exit
exit
profile feature-template HSI_100M_30MQ
  qos
  in-policy      HSI_UPLOAD_RATE_100MB_IN
  out-policy     HSI_DOWNLOAD_RATE_100MB_OUT
  merge-level 30
exit
service-accounting
  enable
  aaa-profile      dummy-aaa-prof
  periodic-interval 1800
exit
exit
profile radius
  algorithm first-server
  deadtime 2
  detect-dead-server response-timeout 30
  max-retry 3
  timeout 5
  server 10.1.2.3 1812
    type      auth
    secret    <password>
  priority 1
exit
  server 10.1.2.3 1813
    type      acct
    secret    <password>
  priority 1
exit
attribute
  nas-identifier CISCO-BNG
  nas-ip          <209.165.201.1>
  nas-ip user-plane-ip
  instance 1
  exit
exit
accounting
  attribute
    nas-ip <209.165.201.1>
  exit
exit
server-group dummy-ser-grp
  server auth 10.1.2.3 1812
  exit
  server acct 10.1.2.3 1813
  exit
exit
exit
profile coa
  client 10.1.2.3
  server-key <password>
  exit
user-plane
  instance 1
  user-plane dummy-asr9k-1
  peer-address ipv4 209.165.201.3
  subscriber-profile dummy-subs-prof
  exit
  user-plane dummy-asr9k-2
```

```

    peer-address ipv4 209.165.201.2
    subscriber-profile dummy-sub-prof
  exit
exit
instance instance-id 1
  endpoint sm
    replicas 1
  exit
  endpoint l2tp-tunnel
    replicas 1
  exit
  endpoint nodemgr
    replicas 1
  exit
  endpoint n4-protocol
    replicas 1
    retransmission max-retry 1
  exit
  endpoint dhcp
    replicas 1
  exit
  endpoint pppoe
    replicas 1
  exit
  endpoint radius
    interface coa-nas
      vip-ip <209.165.201.1> vip-port 2000
    exit
  exit
  endpoint udp-proxy
    vip-ip <209.165.201.1>
    interface n4
      sla response 180000
    exit
    interface gtpu
      sla response 180000
    exit
  exit
exit
logging level application error
logging level transaction error
logging level tracing error
logging name infra.affinity_cache.core level application off
logging name infra.application.core level application off
logging name infra.bgipcstream.core level application off
logging name infra.cache_client.core level application off
logging name infra.cdl_update_queue.core level application off
logging name infra.config.core level application off
logging name infra.diagnostic.core level application off
logging name infra.diagnostics.core level application off
logging name infra.dpd.core level application off
logging name infra.ds_client.core level application off
logging name infra.edr.core level application off
logging name infra.heap_dump.core level application off
logging name infra.ipc_action.core level application off
logging name infra.ipcstream.core level application off
logging name infra.memory_cache.core level application off
logging name infra.message_trace.core level application off
logging name infra.resource_monitor.core level application off
logging name infra.resource_monitor_load_factor.core level application off
logging name infra.rest_server.core level application off
logging name infra.session_cache.core level application off
logging name infra.topology.core level application off

```



```

logging name infra.topology_lease.core level application off
logging name infra.transaction.core level application off
logging name infra.virtual_msg_queue.core level application off
logging name infra.vrf_etcd_update.core level application off
deployment
  app-name      BNG
  cluster-name  Local
  dc-name       DC
exit
k8 bng
  etcd-endpoint      etcd:2379
  datastore-endpoint datastore-ep-session:8882
  tracing
    enable
    enable-trace-percent 30
    append-messages      true
    endpoint              jaeger-collector:9411
  exit
exit
k8 label protocol-layer key smi.cisco.com/proto-type value protocol
exit
k8 label service-layer key smi.cisco.com/svc-type value service
exit
k8 label cdl-layer key smi.cisco.com/sess-type value cdl-node
exit
k8 label oam-layer key smi.cisco.com/node-type value oam
exit
resource cache-pod
  gomaxproc 8
exit
instances instance 1
  system-id DC
  cluster-id Local
  slice-name 1
exit
local-instance instance 1
system mode <shutdown or running>
commit
end

```

## Configuring the UP

The following is a sample UP configuration:

```

user-plane
  instance 1
    user-plane dummy-asr9k-1
    peer-address ipv4 209.165.201.3
    subscriber-profile dummy-sub-prof
  exit
  user-plane dummy-asr9k-2
  peer-address ipv4 209.165.201.2
  subscriber-profile dummy-sub-prof
  exit
exit
exit

```

## Loading Day1 Configuration

To load the Day 1 configuration for cnBNG, run the following command:

```
ssh admin@ops_center_pod_ip -p 2024 < Day1config.cli
```



**Note** The `day1config.cli` file contains the necessary parameters required for the Day 1 configuration.

Alternatively, you can copy the configuration and paste it in the BNG Ops Center CLI to load the Day 1 configuration.

```
config
  <Paste the Day 1 configuration here>
  commit
  exit
```

### Day1config.cli

The `day1config.cli` file contains the Day 1 configuration for cnBNG. For a sample day1 configuration, see [Configuring the CP, on page 11](#).

## Mapping Pods with Node Labels

### Prerequisites

- Ensure that the node labels are according to the pod deployment layout.
- Ensure that the external VIPs are according to the requirement of NF.
- Enable Istio for pod to pod traffic load balancing.

Node Labels are key and value pairs that are attached to nodes at cluster synchronization. Each node can have a set of key and value labels defined. Each key must be unique for a node. With labels, users can map their NF pods onto nodes in a loosely coupled manner.



- Important**
- The pod-level labeling configuration is applicable only when the cnBNG CP is deployed on a bare metal server.
  - Ensure to configure the node label on the SMI cluster deployer before mapping the pods. Following is the sample command for master-1 labeling:

```
[cndp-clpnc-cm-cm-primary] SMI Cluster Deployer (config-nodes-master-1)# k8s node-labels
smi.cisco.com/svc-type bng-node
```

To map the pods with node labels, use the following sample configuration:

```
config
  k8 label protocol-layer key label_key value label_value
  k8 label service-layer key label_key value label_value
  k8 label cdl-layer key label_key value label_value
  k8 label oam-layer key label_key value label_value
end
```

Following is an example configuration of pod to node-label mapping:

```
k8 label protocol-layer key smi.cisco.com/node-type value bng-proto
```

```

exit
k8 label service-layer key vm-type value bng-svc
exit
k8 label cdl-layer key smi.cisco.com/node-type value bng-cdl
exit
k8 label oam-layer key smi.cisco.com/node-type value oam
exit

```

## High Availability Support on BareMetal Server

High Availability on cnBNG CP is validated on BareMetal server deployment. For more information about High Availability, see [High Availability and CP Reconciliation](#).

## cnBNG CNF Deployment on AIO BareMetal Server

The cnBNG CNF Deployment on AIO BareMetal Server explains the process of onboarding a cnBNG Cloud Native Function (CNF) on the Cloud Native Deployment Platform (CNDP) on the BareMetal all-in-one (AIO) Kubernetes (K8s) cluster.

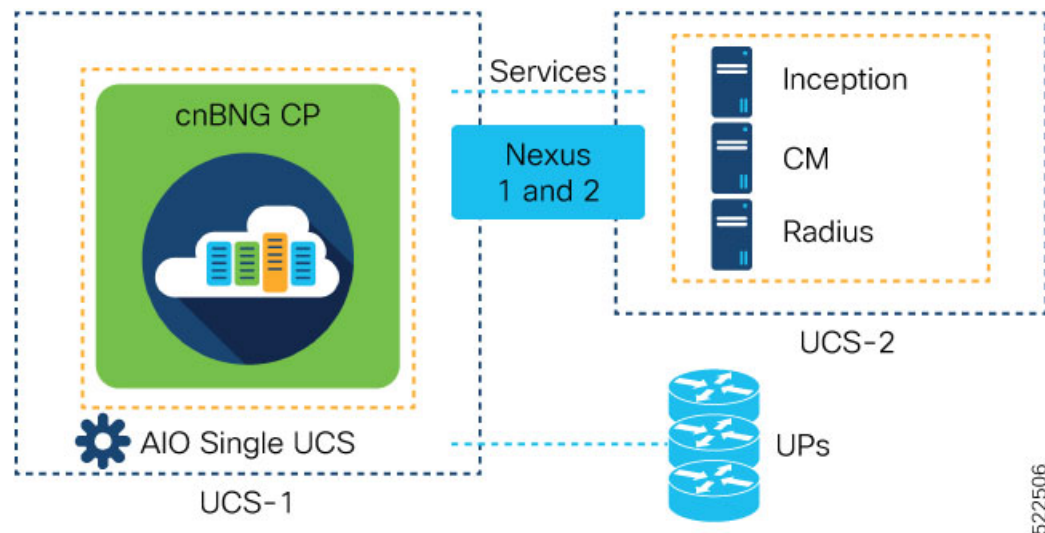
In the AIO deployment, all the management VMs are hosted on a different UCS server, however, this depends on the deployment strategy.

The cnBNG CNF is hosted on another UCS server referred as AIO server. During installation, the Cluster Manager (CM) accesses the AIO via the Cisco Integrated Management Controller (IMC) interface and adds the respective image and SMI packages to complete the installation.

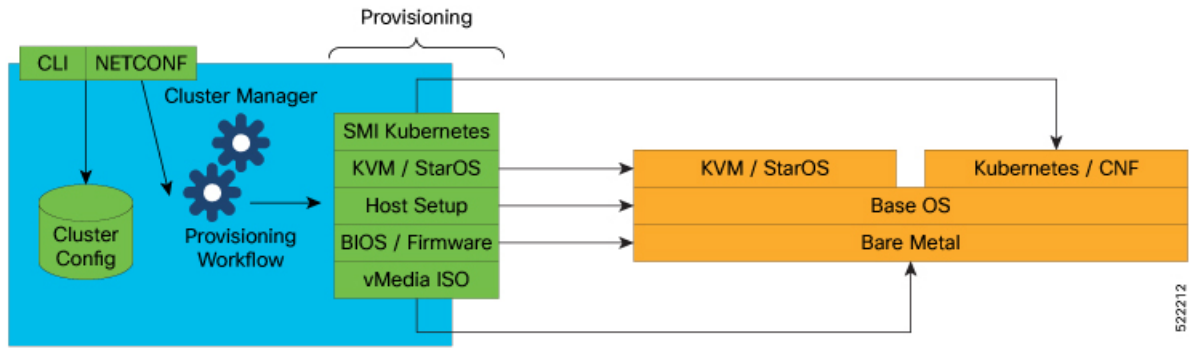


**Note** The management VMs are the Inception, Cluster Manager, and RADIUS servers.

*Figure 1: Logical Topology for cnBNG CNF Deployment on AIO BareMetal Server*



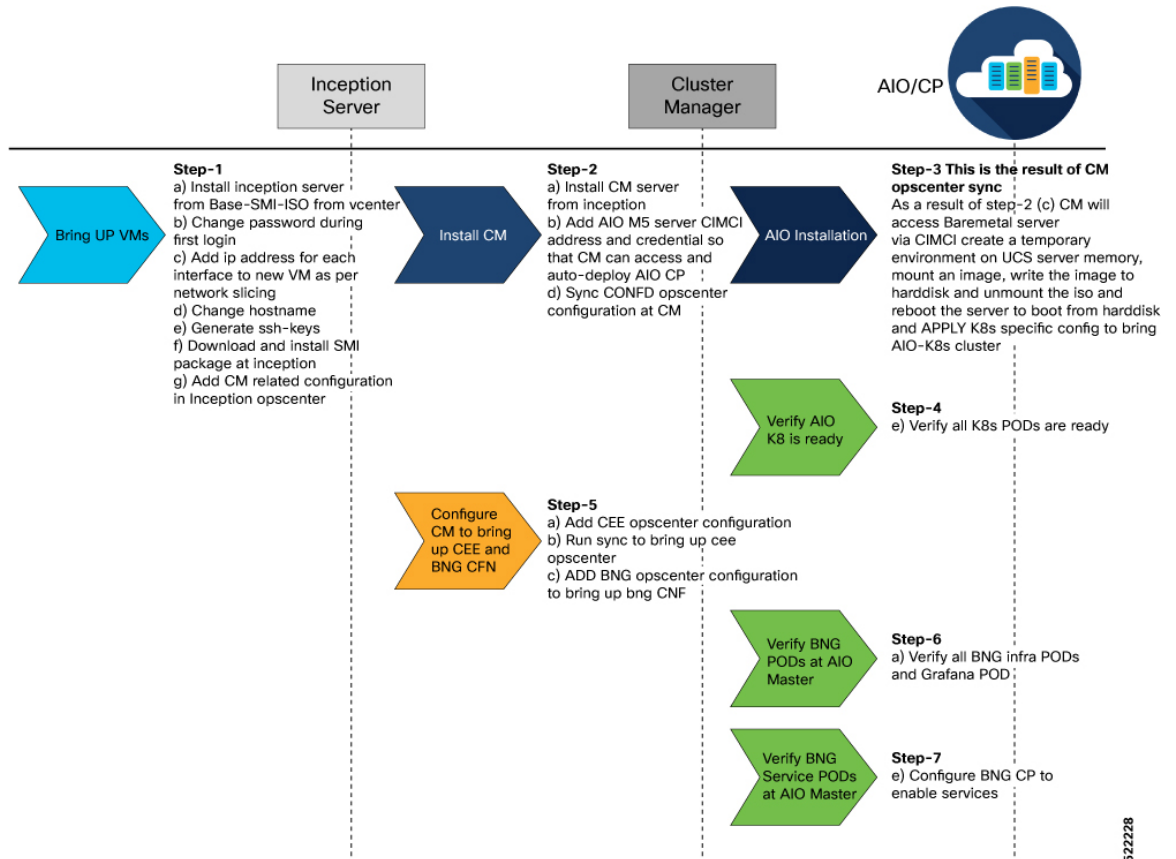
The CNDP is a 'SMI Bare-Metal'. The Cluster Manager uses REST APIs (instead of VIM APIs) of the management cards, which are on the servers, to create a set of Linux servers and then loads the K8s software.



Before installing network functions (NF) on the Cluster Manager, the common containerized software from SMI is installed. For example, monitoring and logging. The SMI NFs include their own common containerized software.

## BareMetal CNDP AIO Bring-Up Procedure

The following figure illustrates the step-by-step process that is required to bring up the cnBNG CNF on K8s AIO server.



For more information about the Inception, Cluster Manager, and All-in-One server installation, see the "SMI Cluster Manager - Deployment" chapter of the *Ultra Cloud Core Subscriber Microservices Infrastructure - Deployment Guide*.

## Limitations and Restrictions

The cnBNG CNF Deployment on AIO BareMetal Server has the following limitations and restrictions:

- Simulated User Planes (UPs) are used in the characterisation activity.
- ASR 9000 routers will be used in the topology based on availability in future releases.
- Actual customer profile must be validated before deployment.

## Implementing cnBNG CP Validation with CNDP

Implementing cnBNG CP Validation with CNDP involves the following procedures.

- Prerequisites
- Instantiating and Provisioning Inception Server Instance
- Installing the Cluster Manager Node
- Deploying the All-in-One Cluster
- Integrating RADIUS and UP with the AIO BareMetal Server

### Prerequisites

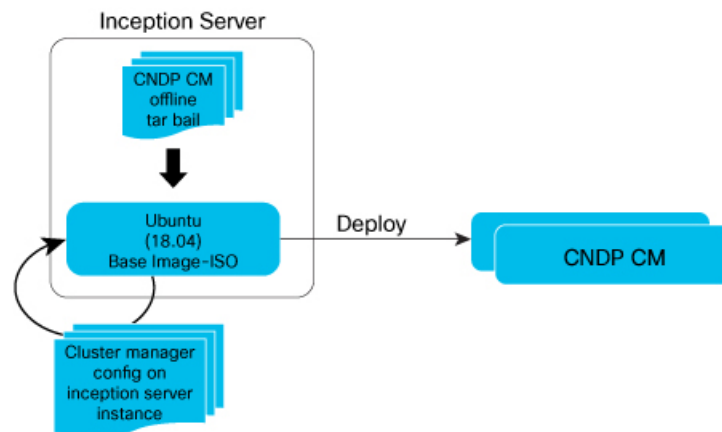
The following sections detail the prerequisites for deploying the cnBNG CNF on the AIO BareMetal Server.

### Instantiating and Provisioning Inception Server Instance

The Inception server is used to deploy the CM for CNDP deployment. It is an Ubuntu 18.04 based VM installed with additional packages such as, docker, docker-compose, and its dependencies. The offline tar ball for the CNDP CM is installed on this instance and configured to deploy the CNDP CM nodes.

The following section presents the procedure on how to bring up an Inception server instance on a VM.

**Figure 2: CNDP Inception VM**



- The inception server is an Ubuntu 18.04 platform (VM or Host) brought up using SMI base image iso.
- To instantiate CNDP CM, the CNDP CM offline tar ball is downloaded to the inception server platform.
- Using this, CNDP CM nodes can be instantiated in Standalone or HA pair.

522227

Before beginning the configuration of the Inception server, verify that all the dependent packages such as docker, docker-compose are installed on the VM. This is a prerequisite before loading the tar ball to configure and deploy the CM. If the SMI Base-ISO is used for installing Inception server, the packages are preinstalled.

## Installing Cluster Manager Node

The Cluster Manager (CM) handles the installation and upgrade of the Kubernetes (K8s) cluster and associated infrastructure. In this deployment, the Inception server launches two machines that use DRBD to replicate the state to provide High Availability (HA) of the CM. This section covers the bring up procedure of the CM in standalone mode.

For High Availability CM deployment, see the "SMI Cluster Manager - Deployment" chapter of the [Ultra Cloud Core Subscriber Microservices Infrastructure - Deployment Guide](#).

### Configuring the Cluster Manager - Single Instance

Configure the single instance of the CM:

1. Login to the Ops Center CLI of the Inception server. Use the following steps to install and configure the CM.

Use the IP address of the Inception server to login.

```
ssh admin@<ip_address> -p 2022 (or)
https://cli.smi-deployer.<ip_address>.nip.io
```

2. Configure the Inception server cluster deployer to install the CM.




---

**Note** Ensure the following before configuring the CM.

- All the passwords must be typed manually because copying and pasting the encrypted passwords from the configuration throws an error during validation
- Private key and public key must be generated in the Inception VM and copied. Both the keys must match the keys present in the Inception VM. Use the **ssh-keygen** command in the Inception VM and follow the prompts to generate the keys.
- Private key and public key are multiline commands. For instance, after typing **node-defaults ssh-connection- private-key**, press Enter to paste the keys.

---

For the Inception configuration, see the "SMI Cluster Manager - Deployment" chapter of the [Ultra Cloud Core Subscriber Microservices Infrastructure - Deployment Guide](#).




---

**Note** Modify IPs, password, keys , username , cluster-name, and CNF name based on the specified configurations.

---

## Installing the All-in-One Cluster

This section provides the detailed steps to deploy the CNDP AIO (K8s) cluster from the CM node. It also specifies the CLI that is used on the CM to configure and perform a cluster synchronization operation.

## Configuring the AIO Cluster

This section describes the procedure to configure and deploy the CNDP AIO cluster from the CM using the CLI method.

1. Login to the CM Ops Center and load the SMI cluster, cnBNG, CEE, and Ops Center node configurations. Multiline configuration for private key must be pasted separately.

```
ssh admin@<ip_address> -p 2022
```

2. Update the Sha256 value, which was generated for the software from the previous step, in the configuration for the respective software under the sha256 section.



### Note

- All the passwords must be typed manually because copying and pasting the encrypted passwords from the configuration throws an error during validation
- Private key and public key must be generated in the CM and copied in. Both the keys must match the keys present in the CM. Use the **ssh-keygen** command in the Inception VM and follow the prompts to generate the keys.

3. Before running cluster synchronization, enable detail logging using the following configuration.

```
clusters <cluster_name>
configuration restrict-logging false exit
```

4. From the SMI cluster configuration, configure the Software CNF repository to use the cnBNG image, CEE, and include the sha256 checksum as generated previously and provide the path of the image.

For more information, see the "SMI Cluster Manager - Deployment" chapter of the [Ultra Cloud Core Subscriber Microservices Infrastructure - Deployment Guide](#).

```
[inception] SMI Cluster Deployer# show running-config
software cnf <cnf_software_version>c
url <repo_url>
user <user_name>
password <password>
sha256 <SHA256_hash_key>
exit
```

### Example:

```
Cluster Manager# config
Cluster Manager(config)# software cnf <example=cm-2020-02-0-i06>
Cluster Manager(config)# url <repo_url>
Cluster Manager(config)#user <username>
Cluster Manager(config)#password "<password>"
Cluster Manager(config)#sha256 <sha256_key>
Cluster Manager(config)#exit
```

In this deployment model, a single AIO node is deployed.

From a CM configuration perspective, the AIO node definition, corresponding Ops Center CEE and cnBNG instances are defined as part of a single AIO cluster.

The following configuration snippet shows the sample configuration for a cluster from the cluster manager

```
config
software cnf <cnf_software_version>
url <repo_url>
user <user_name>
```

```

password <password>
sha256 <SHA256_hash_key>
exit
environments bare-metal
ucs-server
exit
clusters <cluster_name> #For example, cndp-testbed
environment bare-metal
addons ingress bind-ip-address <IPv4address>
addons cpu-partitioner enabled
configuration allow-insecure-registry true
node-defaults ssh-username <username>
node-defaults ssh-connection-private-key
"-----BEGIN OPENSSH PRIVATE KEY-----\n
<SSH_private_key>
-----END OPENSSH PRIVATE KEY-----\n"
node-defaults initial-boot default-user <username>
node-defaults initial-boot default-user-ssh-public-key
"<SSH_Public_Key>"
node-defaults initial-boot default-user-password #For example, Csc0123#
node-defaults os proxy https-proxy <proxy_server_url>
node-defaults os proxy no-proxy <proxy_server_url/IPv4address>
node-defaults os ntp enabled
node-defaults os ntp servers <ntp_server>
exit
node-defaults initial-boot netplan ethernet <interface_name> #For example, eno1
dhcp4 false
dhcp6 false
gateway4 <IPv4address>
nameservers search <nameserver>
nameservers addresses <IPv4addresses>
exit
node-defaults initial-boot netplan ethernet eno2 # same like eno1 other interfaces to
be configured
dhcp4 false # without any ip address
dhcp6 false
exit
node-defaults initial-boot netplan ethernet eno5
dhcp4 false
dhcp6 false
exit
node-defaults initial-boot netplan ethernet eno6
dhcp4 false
dhcp6 false
exit
node-defaults initial-boot netplan ethernet enp216s0f0
dhcp4 false
dhcp6 false
exit
node-defaults initial-boot netplan ethernet enp216s0f1
dhcp4 false
dhcp6 false
exit
node-defaults initial-boot netplan ethernet enp94s0f0
dhcp4 false
dhcp6 false
exit
node-defaults initial-boot netplan ethernet enp94s0f1
dhcp4 false
dhcp6 false
exit
node-defaults initial-boot netplan vlan <vlan_name> #For example, vlan309
dhcp4 false
dhcp6 false

```



```

    id    <vlan_id> #For example, 309
    link  eno6
  exit
  node-defaults initial-boot netplan vlans <vlan_name> #For example, vlan310
    dhcp4 false
    dhcp6 false
    id    <vlan_id> #For example, 310
    link  eno6
  exit
  node-defaults initial-boot netplan vlans <vlan_name> #For example, vlan311
    dhcp4 false
    dhcp6 false
    id    <vlan_id> #For example, 311
    link  enp94s0f0
  exit
  node-defaults ucs-server cimc user admin
  node-defaults ucs-server cimc storage-adaptor create-virtual-drive true
  node-defaults ucs-server cimc remote-management sol enabled
  node-defaults ucs-server cimc remote-management sol baud-rate 115200
  node-defaults ucs-server cimc remote-management sol comport com0
  node-defaults ucs-server cimc remote-management sol ssh-port 2400
  node-defaults ucs-server cimc networking ntp enabled
  node-defaults ucs-server cimc networking ntp servers <example: ntp.server1.com>
  exit
  node-defaults ucs-server cimc networking ntp servers <example: ntp.server2.com>
  exit
  node-defaults os ntp enabled
  node-defaults os ntp servers <example: ntp.server1.com>
  exit
  node-defaults os ntp servers <example: ntp.server1.com>
  exit

  nodes <aio> #For example it can be master or aio
  k8s node-type master
  k8s ssh-ip <IPv4address>
  k8s node-ip <IPv4address>
  k8s node-labels disktype ssd
  exit
  k8s node-labels smi.cisco.com/node-type oam
  exit
  ucs-server cimc user admin
  ucs-server cimc password <IPv4address> #this CIMCI address of the AIO UCS SERVER
  ucs-server cimc ip-address 10.81.103.117
  initial-boot netplan ethernet eno1
  addresses [ <IPv4address-mgmt>/24 ]
  gateway4   <gateway-address>
  exit
  initial-boot netplan vlans vlan309
  addresses [ <IPv4address-k8s>/24 ]
  exit
  initial-boot netplan vlans vlan310
  addresses [ <IPv4address-SMI>/24 ]
  exit
  initial-boot netplan vlans vlan311
  addresses [ <IPv4address-services>/24 ]
  exit
  exit

```

Each CNF provides a ConfD based Ops Center CLI to configure and manage the CNF pods. There is a separate Ops Center required for each CNF deployed on the AIO node.

The following is the Ops Center configuration for the AIO node, which has the Ops Center configuration for CEE and CNF.

```

ops-centers bng bng
  repository      <url> or offline-tarball
  username        <username>
  password        <password>
  ingress-hostname <ip-address>.nip.io
  initial-boot-parameters use-volume-claims false
  initial-boot-parameters first-boot-password <password>
  initial-boot-parameters auto-deploy false
  initial-boot-parameters single-node true
exit
ops-centers cee cee
  repository-local      cee-release-build
  sync-default-repository true
  netconf-ip            <ip-address>
  netconf-port          2024
  ssh-ip                <ip-address>
  ssh-port              2022
  ingress-hostname      <ip-address>.nip.io
  initial-boot-parameters use-volume-claims true
  initial-boot-parameters first-boot-password <password>
  initial-boot-parameters auto-deploy true
  initial-boot-parameters single-node true
exit
exit

```




---

**Note** To bring the network function NF at the AIO K8 cluster, always use the “initial-boot-parameters single-node true” option.

---

5. Run the cluster synchronization to deploy the cluster, cnBNG, and CEE Ops Centers

```
clusters cndp-cm actions sync run debug true
```

The cluster synchronization operation takes approximately 45 minutes to complete.

6. Monitor the cluster synchronization operation using the following command.

```
monitor sync-logs cndp-cm
```

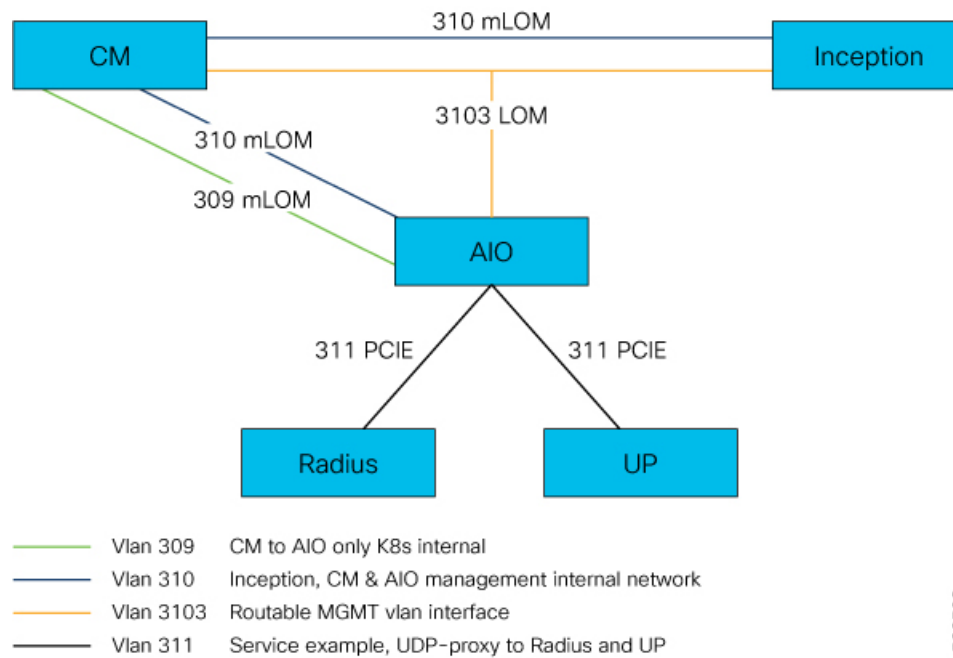
After cluster synchronization is completed, a message is shown indicating a successful cluster synchronization.

## Integrating RADIUS and UP with the AIO BareMetal Server

The RADIUS and UP are part of the services network and therefore should be part of the same network. If they are not in the same VLAN, then the necessary routing should be available to have reachability between them.

The AIO services interface is also part of the services VLAN, which has routable reachability between AIO UDP proxy interface, RADIUS, and the User Plane function (UPF).

Figure 3: Logical Network Connectivity



## cnBNG Cluster Deployment Using Inception Server

You can now deploy the cnBNG cluster using the Inception server alone. You do not require the SMI Cluster Manager, which was previously used along with the Inception server to deploy the cnBNG cluster. This enhancement can help you save on hardware resources (servers).

### Installing Inception Server on Baremetal

The procedure to install the the Inception server on baremetal is as follows:

1. Clear a Boot drive.
2. Create a virtual drive from unused physical drives.
3. Install Base ISO image.
4. Configure User and Network Parameters.
5. Install Inception Server.
6. Deploy SMI Cluster.
7. Add images to Inception Server.
8. Create SSH keys.
9. Add SMI Cluster Deployer configuration.

## Clear a Boot Drive

You must clean up the server storage before installing the Base ISO image. To clear the boot drive configurations on the Cisco Integrated Management Controller (CIMC) server, perform the following steps:

1. Log in to the CIMC Web UI using admin privileges.
2. In the **Navigation** pane, click the **Storage** menu.
3. On the **Storage** menu, click the appropriate LSI MegaRAID or Host Bus Adapter (HBA) controller.  
In the **RAID Controller** area, the **Controller Info** tab is displayed by default.
4. In the **Actions** area, click **Clear Boot Drive**.




---

**Note** The **Clear Boot Drive** option is enabled only if the server was used previously. If the server is new, this option is disabled.

---

5. Click **OK** to confirm.

## Create Virtual Drive from Unused Physical Drives

1. Log in to the CIMC Web UI using admin privileges.
2. On the **Storage** menu, click the appropriate LSI MegaRAID or HBA controller.
3. In the **Actions** area, click **Create Virtual Drive from Unused Physical Drives**.  
The **Create Virtual Drive from Unused Physical Drives** dialog box appears.
4. In the **Create Virtual Drive from Unused Physical Drives** dialog box, select **1** from the **RAID Level** drop-down list.
5. In the **Create Drive Groups** area, choose one or more physical drives to include in the group.  
Use the >> button to add the drives to the **Drive Groups** table. Use the << button to remove physical drives from the drive group.




---

**Note**

- The size of the smallest physical drive in the drive group defines the maximum size used for all the physical drives. To ensure maximum use of space for all physical drives, it is recommended that the size of all the drives in the drive group are similar.
- CIMC manages only RAID controllers and not Host Bus Adapters (HBAs) attached to the server.
- You must have multiple drive groups available to create virtual drives (VDs) for certain RAID levels. While creating drives for these RAID levels, the create drive option is available only if the required number of drives are selected.

---

6. In the **Virtual Drive Properties** area, update the following properties:

Name	Description
<b>Virtual Drive Name</b> field	The name of the new virtual drive you want to create.

Name	Description
Read Policy drop-down list	The read-ahead cache mode.
Cache Policy drop-down list	The cache policy used for buffering reads.
Strip Size drop-down list	The size of each strip, in MB.
Write Policy drop-down list	<p>This can be one of the following</p> <ul style="list-style-type: none"> <li>• <b>Write Through</b>— Data is written through the cache and to the physical drives. Performance is improved, because subsequent reads of that data can be satisfied from the cache.</li> <li>• <b>Write Back</b>— Data is stored in the cache, and is only written to the physical drives when space in the cache is needed. Virtual drives requesting this policy fall back to <b>Write Through</b> caching when the BBU cannot guarantee the safety of the cache in the event of a power failure.</li> <li>• <b>Write Back Bad BBU</b>—With this policy, write caching remains <b>Write Back</b> even if the battery backup unit is defective or discharged.</li> </ul>
Disk Cache Policy drop-down list	<p>This can be one of the following</p> <ul style="list-style-type: none"> <li>• <b>Unchanged</b>— The disk cache policy is unchanged.</li> <li>• <b>Enabled</b>— Allows IO caching on the disk.</li> <li>• <b>Disabled</b>— Disallows disk caching.</li> </ul>
Access Policy drop-down list	<p>This can be one of the following</p> <ul style="list-style-type: none"> <li>• <b>Read Write</b>— Enables host to perform read-write on the VD.</li> <li>• <b>Read Only</b>— Host can only read from the VD.</li> <li>• <b>Blocked</b>— Host can neither read nor write to the VD.</li> </ul>
Size field	<p>The size of the virtual drive (VD) you want to create. Enter a value and select one of the following units:</p> <ul style="list-style-type: none"> <li>• MB</li> <li>• GB</li> <li>• TB</li> </ul>

7. Click **Create Virtual Drive**.
8. After the virtual drive is created, click the **Virtual Drive Info** tab.  
In the **Virtual Drives** area, choose the drive from which the controller must boot, and then click **Set as Boot Drive**.
9. Click **OK** to confirm.

## Install Base ISO image

Perform the following steps to install the Base ISO image.

1. Log in to the CIMC Web UI using admin privileges.
2. Click the **Virtual KVM** tab.
3. In the **Actions** area, click **Launch KVM Console**.
4. Click the **Virtual Media** menu, and click **Activate Virtual Devices**. A virtual media session is activated, and that allows you to attach a drive or image file from your local computer or network.
5. Click the **Virtual Media** menu again, and select **Map CD/DVD**. You can map a CD or a DVD image from your local machine and map the drive to the image.
6. Browse, and select the Base ISO image from the image folder.
7. From the tool bar, click the **Host Power** link. Select **Power Cycle** from the drop-down list. The chosen server is powered on with the mapped Base ISO image.
8. From the tool bar, click **Launch KVM**. The **KVM Console** opens in a separate window.
9. Once you see the login prompt and other options, press the **F6** function key.
10. On the boot menu, select the CIMC based vKVM-Mapped option to which the Base ISO image is mapped.

The server boots with the required ISO image.

11. Using CIMC, you can also configure the order in which the server attempts to boot from the available boot device types.
  - a. Click the **Compute** menu.
  - b. In the **BIOS** tab, click the **Configure Boot Order** tab. **Configure Boot Order** dialog box appears.
  - c. In the **Configure Boot Order** dialog box, you can select the order of boot, and click **Save Changes**.
12. Power cycle the server to trigger the Base ISO installation. You can view the installation status in the KVM console.

## Configure User and Network Parameters

Before installing the Inception server you must configure the user and network parameters.

To configure the network and static IP addressing:

1. Login with the default *cloud-init* credentials.




---

**Note** You must change the password immediately after logging in.

---

2. Update the network configuration in `/etc/netplan/50-cloud-init.yaml` file.

The following is a sample network configuration:

```

network:
  ethernets:
    eno1:
      addresses:
        - 10.0.0.20/8
      dhcp4: false
      gateway4: 10.197.209.193
      nameservers:
        addresses:
          - 10.104.128.236
          - 10.163.128.140
          - 10.37.142.73
  version: 2

```

3. Run the following command to apply the configuration:

```
sudo netplan apply
```

4. To preserve hostname or make the hostname persistent after reboot, you must edit the cloud configuration file:

```
sudo vi /etc/cloud/cloud.cfg
```

Set **preserve\_hostname: true**

5. Modify the hostname.

```

sudo hostnamectl set-hostname hostname
sudo vi /etc/hosts
127.0.0.1 hostname

```

## Install Inception Server

Perform the following steps to install the Inception server:

1. Copy the SMI offline package to the images folder.

Example:

```

cloud-user@cnbng4-cxbg1:/data/software/images$ pwd /data/software/images
cloud-user@cnbng4-cxbg1:/data/software/images$

```

2. Untar the the downloaded file.

Example:

```

cloud-user@cnbng4-cxbg1:/data/software/images$ tar -xvf
cluster-deployer-2023.01.1.i18.tar

```

3. Navigate to the `deployer-inception` folder which has the required charts and docker files.

Example:

```
cd /data/deployer-inception/
```

4. Run the following command to install the Inception server.

Example:

```

sudo ./deploy --external-ip external_ipaddress --first-boot-password
first_boot_password

```



**Note** The *external\_ipaddress* is the management IP address of the inception server.

## Deploy SMI Cluster

Perform the following steps to deploy the SMI cluster:

1. Log in to the cluster using the following:

```
ssh admin@<ip_address> -p 2022
```

2. Add the cluster level configurations for one or more K8s clusters.

## Add Images to Inception Server

1. Fetch the offline tarball for SMI, cnBNG, & CEE and save it to the `/data/software/images` folder. You can fetch the tarball either from the artifactory or copy it securely through the `scp` or `winscp` command.
2. Untar the offline tarball, and copy the tar file to the respective path.

Example:

```
root@cnbng-inception:/data/downloads# tar -xvzf bng.2020.04.m0.i37.SSA.tgz ./
./bng.2020.04.m0.i37.tar.SSA.README
./CNBNG_DEV_KEY-CCO_DEV.cer
./trca.cer
./Innerspace_DEV.cer ./cisco_x509_verify_dev.py ./bng.2020.04.m0.i37.tar.signature.SSA
./bng.2020.04.m0.i37.tar
```

3. Generate **sha256** checksum for the images and verify them with artifactory checksum.

Example:

```
cloud-user@cnbng4-cxbgl:/data/software/images$ sudo sha256sum bng.2020.04.m0.i37.tar
2e4fe956daf4afa13909d6fa89be5e727b9e4c03619436ecd04805045b780c0b bng.2020.04.m0.i37.tar
cloud-user@cnbng4-cxbgl:/data/software/images$ sudo sha256sum cee-2023.01.1.i18.tar
320e61f56976a2c107fa489a2a12d16301671f28212ec5b7d902b608d2e6ab80 cee-2023.01.1.i18.tar
cloud-user@cnbng4-cxbgl:/data/software/images$ sudo sha256sum cluster-deployer-
2023.01.1.i18.tar
929dd80a840483f65a9f4afa314144f0f544e3bee23703214c03c831465ae707 cluster-deployer-
2023.01.1.i18.tar
```

4. Add the images to Inception deployer cluster configuration. The inception deployer uses cnBNG & CEE images from the provided file path to bring up cnBNG control plane & CEE ops-center.

Example:

```
software cnf cnbng
url file:///data/software/images/bng.2020.04.m0.i37.tar
sha256 2e4fe956daf4afa13909d6fa89be5e727b9e4c03619436ecd04805045b780c0b
exit
software cnf cee-2023.01.1.i18
url file:///data/software/images/cee-2023.01.1.i18.tar
sha256 320e61f56976a2c107fa489a2a12d16301671f28212ec5b7d902b608d2e6ab80
exit
software host-profile bios-ht-25
url file:///data/software/images/ht.tgz
sha256 aa7e240f2b785a8c8d6b7cd6f79fe162584dc01b7e9d32a068be7f6e5055f664
exit
environments bare-metal
```



```
ucs-server
exit
!
```

## Generate SSH Keys

Generate SSH public and private keys.

Example:

```
cloud-user@inception-28:~$ ssh-keygen -t rsa
Generating public/private rsa key pair.
Enter file in which to save the key (/root/.ssh/id_rsa):
Created directory '/root/.ssh'.
Enter passphrase (empty for no passphrase):
Enter same passphrase again:
Your identification has been saved in /root/.ssh/id_rsa.
Your public key has been saved in /root/.ssh/id_rsa.pub.
The key fingerprint is:
SHA256:YQ3OfuEinrurnkkFllW/vBDu5Zkti8zMt8dfIxpGyIE ubuntu@nfs-server-cn-svi
The key's randomart image is:
+---[RSA 2048]-----+
| .+o . |
| .E = o |
| . + = o |
| o = o . |
| + S o |
| + * = |
| . = +.. . o |
| . O *o=oo o . |
| .=@+B=o.. |
+---[SHA256]-----+
cloud-user@inception-28:~/ssh$ ls -ltr ~/.ssh/*id*
-rw----- 1 cloud-user cloud-user 577 Jan 19 2023 /home/cloud-user/.ssh/id_rsa.pub
-rw----- 1 cloud-user cloud-user 2484 Jan 19 2023 /home/cloud-user/.ssh/id_rsa
```

## Add SMI Cluster Deployer Configuration

Perform the following steps to add the SMI Cluster Deployer configurations:

1. Log in to the SMI cluster deployer.

Example:

```
cloud-user@incep.on-28:~$ ssh admin@127.0.0.1 -p 2022
admin@127.0.0.1's password:
Welcome to the Cisco SMI Cluster Deployer on inception-28
Copyright © 2016-2020, Cisco Systems, Inc.
All rights reserved.
admin connected from 10.0.1.1 using ssh on c0993db6451a
```

2. Add SSH-keys to the Inception Manager.

Example:

```
clusters <cluster_name>
environment bare-metal
node-defaults initial-boot default-user-ssh-public-key
"<SSH_Public_key>"
node-defaults ssh-connection-private-key
"-----BEGIN OPENSSH PRIVATE KEY-----
<SSH_Private_Key>
-----END OPENSSH PRIVATE KEY-----\n"
CNTRL+D
```

### 3. Add CNF to clusters.

You can either download CNF images from online repositories, web servers, or local servers, or copy the tarball images to the Inception server folder and configure the folder path.

### 4. You can verify the configuration using the following command:

```
SMI Cluster Deployer# show running-config
software cnf cee-2023.01.1.i18
url file:///data/software/images/cee-2023.01.1.i18.tar
sha256 320e61f56976a2c107fa489a2a12d16301671f28212ec5b7d902b608d2e6ab80
exit
software cnf cnbng
url file:///data/software/images/bng-dev-private.tar
sha256 2e4fe956daf4afa13909d6fa89be5e727b9e4c03619436ecd04805045b780c0b
exit
software host-profile bios-ht-25
url file:///data/software/images/ht.tgz
sha256 aa7e240f2b785a8c8d6b7cd6f79fe162584dc01b7e9d32a068be7f6e5055f664
exit
```