



# Hierarchical Color-Aware Policing

---

The Hierarchical Color-Aware Policing feature provides two levels of policing where the policer ordering is evaluated from child to parent, and there is preferential treatment of certain traffic at the parent level.

- [Finding Feature Information, on page 1](#)
- [Prerequisites for Hierarchical Color-Aware Policing, on page 1](#)
- [Restrictions for Hierarchical Color-Aware Policing, on page 1](#)
- [Information About Hierarchical Color-Aware Policing, on page 4](#)
- [How to Configure Hierarchical Color-Aware Policing, on page 7](#)
- [Configuration Examples for Hierarchical Color-Aware Policing, on page 9](#)
- [Additional References, on page 12](#)
- [Feature Information for Hierarchical Color-Aware Policing, on page 12](#)

## Finding Feature Information

Your software release may not support all the features documented in this module. For the latest caveats and feature information, see [Bug Search Tool](#) and the release notes for your platform and software release. To find information about the features documented in this module, and to see a list of the releases in which each feature is supported, see the feature information table.

Use Cisco Feature Navigator to find information about platform support and Cisco software image support. To access Cisco Feature Navigator, go to [www.cisco.com/go/cfn](http://www.cisco.com/go/cfn). An account on Cisco.com is not required.

## Prerequisites for Hierarchical Color-Aware Policing

You must have Cisco IOS XE Release 3.15S or a later version installed and running on your router.

You must already be familiar with relevant features and technologies including modular QoS CLI (MQC) and the master control processor (MCP) software and hardware architecture. The [Additional References](#) section provides pointers to relevant feature and technology documents.

## Restrictions for Hierarchical Color-Aware Policing

The following restrictions apply to the Hierarchical Color-Aware Policing feature:

- Color-aware class maps support only QoS group matching.
- Color-aware statistics are not supported, only existing policer statistics.
- Color-aware class map removal (using the **no class-map***class-map-name* command) is not allowed while the class map is being referenced in a color-aware policer. It must be removed from all color-aware policers (using either the **no conform-color***class-map-name* or **no exceed-color***class-map-name* command first).
- By default, the child policer is color-blind. If any control traffic is classified as default class then it may be dropped.
- For dual policers in HQoS policy, if parent policer is color-aware, child level policer cannot be configured as color-aware and is rejected.
- When parent policer is color-aware, child cannot be configured with PIR, it can only be a 1R2C policer.
- QoS-group can be set in child policer through tablemap, but complete child class classification should map either to *conform class qos-group* or *exceed class qos-group*.
- When a parent has a color-aware policy, packets to the parent take the color marking of the child policer.

**The colors for a parent policy using a single rate, three color-policer (1r3c) or dual rate three color-policer (2r3c) scheme are:**

- **green for conform-action**
- **yellow for exceed-action**
- **red for violate-action.**

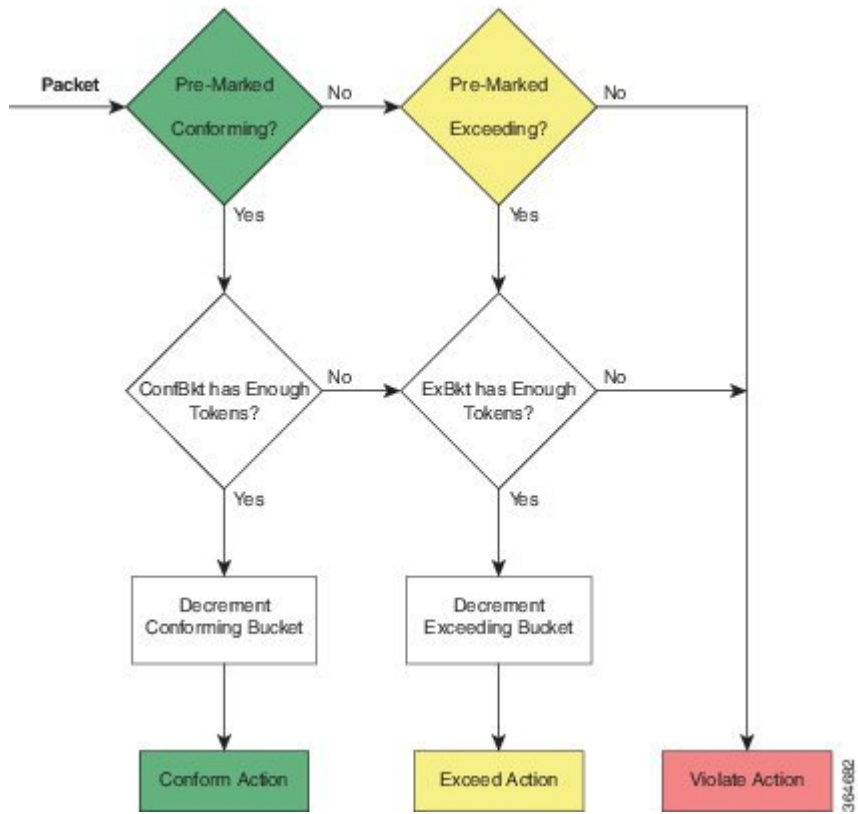
However, the policer at the child level only supports single rate, two color-policer (1r2c) scheme, and the colors are green for conform-action, and red for exceed-action.

So, even if the exceed action of a child policer is ‘transmit’, all exceed (red) packets from the child policer will always fall into the red bucket of the parent.

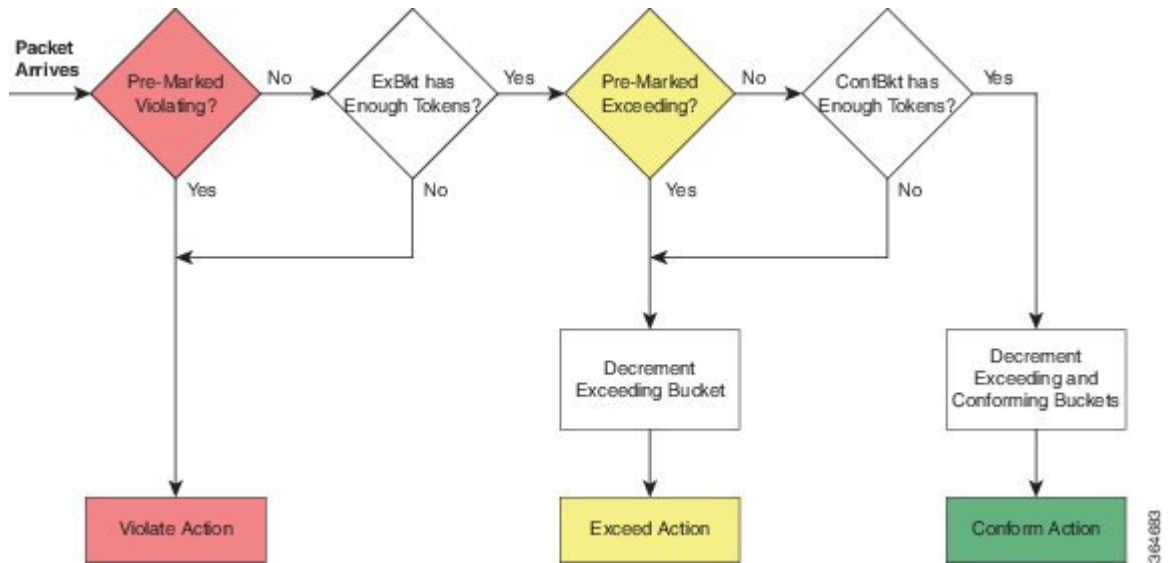
You must, therefore, ensure that the conform-color and exceed-color classes together form a superset of the respective class matches so as to avoid packets being treated as red and therefore, being dropped.

See the following images for more information.

Single-Rate, Color-Aware, Three-Color Policer



Dual-Rate, Color-Aware, Three-Color Policer



# Information About Hierarchical Color-Aware Policing

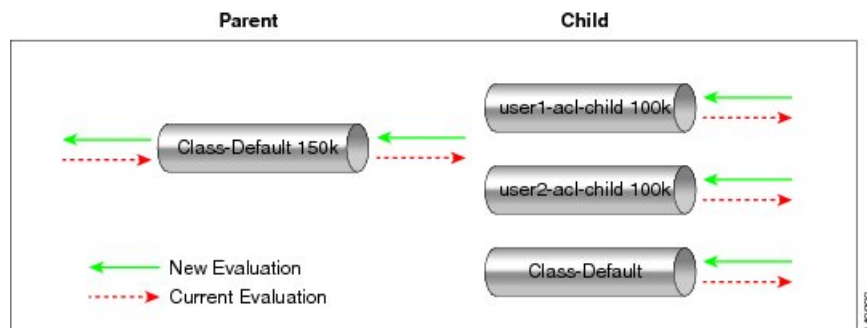
## Hierarchical Order Policing

Policers are evaluated from child to parent in QoS policies. This ordering is not configurable for both ingress and egress directions.

The following sample configuration for a simple two-level policer would result in the changed behavior shown in the figure below:

```

policy-map child
  class user1
    police 100k
  class user2
    police 100k
policy-map parent
  class class-default
    police 150k
  service-policy child
  
```



## Limited Color-Aware Policing

The following sample configuration for a simple two-level color-aware policer would result in the changed behavior shown in the figure below:

```

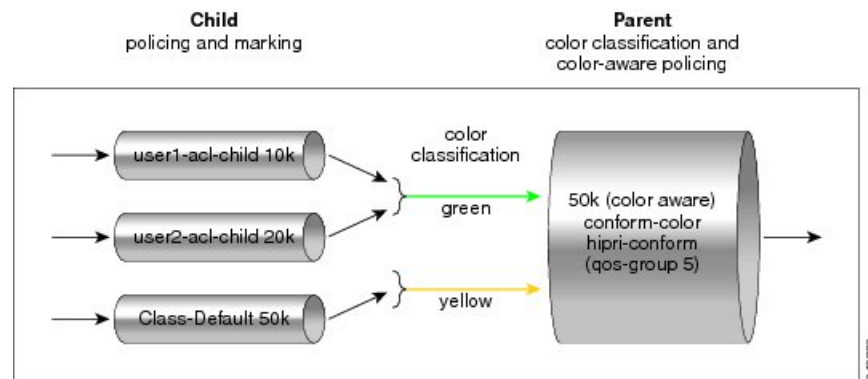
ip access-list extended user1-acl
  permit ip host 192.168.1.1 any
  permit ip host 192.168.1.2 any
ip access-list extended user2-acl
  permit ip host 192.168.2.1 any
  permit ip host 192.168.2.2 any
class-map match-all user1-acl-child
  match access-group name user1-acl
class-map match-all user2-acl-child
  match access-group name user2-acl
class-map match-all hipri-conform
  match qos-group 5
policy-map child-policy
  class user1-acl-child
    police 10000 bc 1500
    conform-action set-qos-transmit 5
  class user2-acl-child
  
```

```

    police 20000 bc 1500
      conform-action set-qos-transmit 5
class class-default
  police 50000 bc 1500
policy-map parent-policy
class class-default
  police 50000 bc 3000
  conform-action transmit
  exceed-action transmit
  violate-action drop
  conform-color hipri-conform
service-policy child-policy

```

**Figure 1: Simple Two-Level Color-Aware Policer**

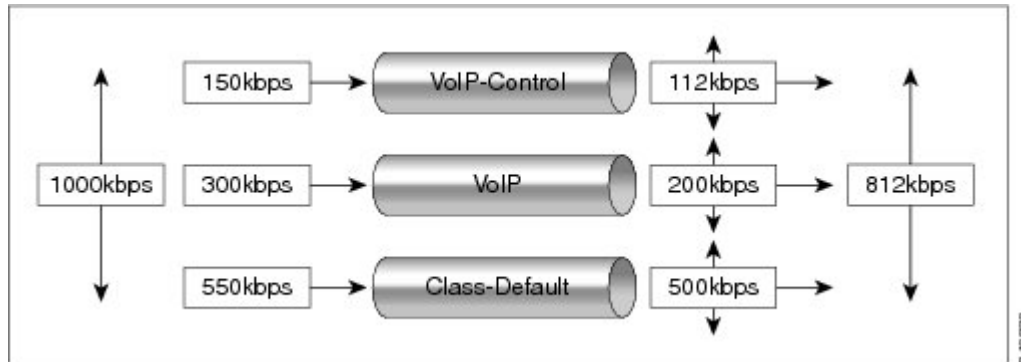


**Note** To avoid drops at the parent level for "conformed" child traffic, the parent policer must have a rate and burst that are equal to or greater than the sum of the child conform rates and burst sizes. There is no check for inappropriate (parent-to-child) rates and burst sizes in code. You must be aware of this limitation and configure appropriately. In the following example, explicit marking actions are supported in conjunction with color-aware policing and operate similarly color-aware policer marking actions. If these marking actions ("set qos-group," for example) are present in the child policies, the resulting bit values are evaluated by the parent color-aware policer (same as for child policer marking actions):  $50k \geq 10k \text{ (user1-acl-child)} + 20k \text{ (user2-acl-child)}$

## Policing Traffic in Child Classes and Parent Classes

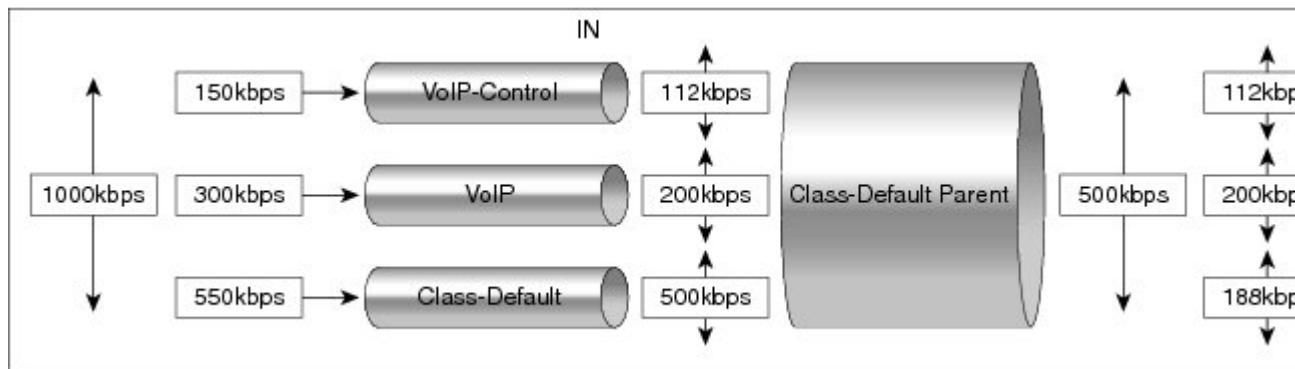
Prior to the release of the Hierarchical Color-Aware Policing feature, policing and marking were typically used as input QoS options. For example, a voice customer was limited to 112 kb/s for voice control and 200 kb/s for voice traffic. The class-default class has no policer. The only limit is the physical bandwidth of the xDSL connection. As shown in the figure below, a customer could send up to 1000 kb/s. However, this involved sending more voice and voice-control packets, which required policing the traffic for both classes.

Figure 2: Policing Traffic in Child Classes



As shown in the figure below, it is important to control the overall input bandwidth. The important requirement is that the premium traffic in the overall limit is not affected. In the figure below, voice and voice-control packets are not dropped in the overall limit. Only packets from the child class-default class are dropped to fulfill the limit.

Figure 3: Policing Traffic in Parent Classes



The first classes function the same way. Voice and voice-control are policed to the allowed level and the class-default class is not affected. In the next level, the overall bandwidth is forced to 500 kb/s and must only drop packets from the class-default class. Voice and voice-control must remain unaffected.

The order of policer execution is as follows:

1. Police the traffic in the child classes, as shown in the figure above, police VoIP-Control class to 112 kb/s, police VoIP class to 200 kb/s, and police class-default to 500 kb/s.
2. Police the traffic in the class default of the parent policy map, but only drop the traffic from the child class default, and do not drop the remaining child classes. As shown in the figure above, 112 kb/s VoIP-Control and 200 kb/s VoIP traffic are unaffected at the parent policer, but 500 kb/s class default from the child is policed to 188kb/s to meet the overall police policy of 500 kb/s at the parent level.

# How to Configure Hierarchical Color-Aware Policing

## Configuring the Hierarchical Color-Aware Policing Feature

### Procedure

	Command or Action	Purpose
<b>Step 1</b>	<b>enable</b> <b>Example:</b> <pre>Router&gt; enable</pre>	Enables privileged EXEC mode. <ul style="list-style-type: none"> <li>• Enter your password if prompted.</li> </ul>
<b>Step 2</b>	<b>configure terminal</b> <b>Example:</b> <pre>Router# configure terminal</pre>	Enters global configuration mode.
<b>Step 3</b>	<b>policy-map <i>policy-map-name</i></b> <b>Example:</b> <pre>Router(config)# policy-map child-policy</pre>	Enters policy-map configuration mode and creates a policy map.
<b>Step 4</b>	<b>class {<i>class-name</i>   <b>class-default</b>}</b> <b>Example:</b> <pre>Router(config-pmap)# class user1-acl-child</pre>	Enters policy-map class configuration mode. <p>Specifies the name of the class whose policy you want to create or change or specifies the default class (commonly known as the class-default class) before you configure its policy. Repeat this command as many times as necessary to specify the child or parent classes that you are creating or modifying:</p> <ul style="list-style-type: none"> <li>• <i>class name</i>—Name of the class to be configured or whose policy is to be modified. The class name is used for both the class map and to configure a policy for the class in the policy map.</li> <li>• <b>class-default</b>—Specifies the default class so that you can configure or modify its policy.</li> </ul>
<b>Step 5</b>	<b>conform-color <i>class-map-name</i> [<b>exceed-color</b> <i>class-map-name</i>]</b> <b>Example:</b> <pre>Router(config-pmap-c-police)# conform-color c1 exceed-color c2</pre>	Enables color-aware traffic policing and creates the conform-color and exceed-color class-maps used for color-aware traffic policing. <p>The <b>conform-color</b> <i>class-map-name</i> command creates the conform-color class. The</p>

	Command or Action	Purpose
		<b>exceed-color</b> <i>class-map-name</i> option creates the exceed-color class.
<b>Step 6</b>	<p><b>police</b> [<b>cir</b> <i>cir</i>] [<b>bc</b> <i>conform-burst</i>] [<b>pir</b> <i>pir</i>] [<b>be</b> <i>peak-burst</i>] [<b>conform-action</b> <i>action</i>] [<b>exceed-action</b> <i>action</i>] [<b>violate-action</b> <i>action</i>]]] [<b>conform-color</b> <b>hipri-conform</b>] [<b>exceed-color</b> <b>lipri-exceed</b>]</p> <p><b>Example:</b></p> <pre>Router(config-pmap-c)# police 10000 bc 1500</pre> <p><b>Example:</b></p> <pre>Router(config-pmap-c-police)# conform-action set-qos-transmit 5</pre>	<p>Configures traffic policing and specifies multiple actions applied to packets marked as conforming to, exceeding, or violating a specific rate.</p> <p>Enters policy-map class police configuration mode. Use one line per action that you want to specify:</p> <ul style="list-style-type: none"> <li>• <b>cir</b>—Committed information rate. Indicates that the CIR will be used for policing traffic.</li> <li>• <b>conform-action</b>—(Optional) Action to take on packets when the rate is less than the conform burst.</li> <li>• <b>exceed-action</b>—(Optional) Action to take on packets whose rate is within the conform and conform plus exceed burst.</li> <li>• <b>violate-action</b>—(Optional) Action to take on packets whose rate exceeds the conform plus exceed burst. You must specify the exceed action before you specify the violate action.</li> <li>• <b>conform-color</b>—(Optional) Enables color-aware policing (on the policer being configured) and assigns the class map to be used for conform color determination. The <b>hipri-conform</b> keyword is the class map (previously configured via the <b>class-map</b> command) to be used.</li> <li>• <b>exceed-color</b>—(Optional) Enables color-aware policing (on the policer being configured) and assigns the class map to be used for exceed color determination. The <b>lipri-exceed</b> keyword is the class map (previously configured via the <b>class-map</b> command) to be used.</li> </ul>
<b>Step 7</b>	<p><b>service-policy</b> <i>policy-map-name</i></p> <p><b>Example:</b></p> <pre>Router(config-pmap-c-police)# service-policy child-policy</pre>	<p>Specifies a service policy as a QoS policy within a policy map (called a hierarchical service policy).</p> <ul style="list-style-type: none"> <li>• <i>policy-map-name</i>—Name of the predefined policy map to be used as a QoS</li> </ul>



	Command or Action	Purpose
		policy. The name can be a maximum of 40 alphanumeric characters.
<b>Step 8</b>	<b>end</b>  <b>Example:</b> Router(config-pmap-c-police)# end	Exits the current configuration mode.

### Example

The following is a sample configuration for the Hierarchical Color-Aware Policing feature:

```
class-map qos_group1
match qos_group 1

class-map qos_group2
match qos_group 2

Class-map cos1
match cos 1

class-map cos 2
match cos 2

policy-map tc001_ch
class cos1
police cir 20000000 bc 625000
conform-action set-qos-transmit 1
exceed-action drop
class cos2
police cir 50000000 bc 1562500
conform-action set-qos-transmit 2
exceed-action drop

policy-map tc001_parent
class class-default
police cir 70000000 bc 2187500 pir 100000000 be 3125000
conform-color qos_group1 exceed-color qos_group2
conform-action transmit
exceed-action transmit
violate-action drop
service-policy tc001_child
```

## Configuration Examples for Hierarchical Color-Aware Policing

### Example Enabling the Hierarchical Color-Aware Policing Feature

The following example shows a sample configuration that enables the Hierarchical Color-Aware Policing feature:

```
class-map qos_group1
```

## Example Disallowing the Removal of an Active Color-Aware Class Map

```

match qos_group 1

class-map qos_group2
match qos_group 2

class-map cos1
match cos 1

class-map cos 2
match cos 2

policy-map tc001_ch
class cos1
police cir 20000000 bc 625000
conform-action set-qos-transmit 1
exceed-action drop
class cos2
police cir 50000000 bc 1562500
conform-action set-qos-transmit 2
exceed-action drop

policy-map tc001_parent
class class-default
police cir 70000000 bc 2187500 pir 100000000 be 3125000
conform-color qos_group1 exceed-color qos_group2
conform-action transmit
exceed-action transmit
violate-action drop
service-policy tc001_child

```

## Example Disallowing the Removal of an Active Color-Aware Class Map

The following example shows that an active color-aware class map cannot be disallowed:

```

Router# configure terminal
Enter configuration commands, one per line. End with CNTL/Z.
Router(config)# no class-map hipri-conform
Class-map hipri-conform is being used

```

## Example Dismantling a Configuration of the Hierarchical Color-Aware Policing Feature

The following example shows how to dismantle the configuration of the Hierarchical Color-Aware Policing feature:

```

Router# configure terminal
Enter configuration commands, one per line. End with CNTL/Z.
Router(config)# no policy-map parent-policy
Router(config)# no policy-map child-policy
Router(config)# no class-map hipri-conform
Router(config)# no class-map user1-acl-child
Router(config)# no class-map user2-acl-child

```

## Example Applying show Command with Hierarchical Color-Aware Policing

The following is sample output from the **show policy-map interface** command when a policy with hierarchical color-aware policing is applied:

```
Router# show policy-map interface
GigabitEthernet0/0/0
Service-policy input: parent-policy
Class-map: class-default (match-any)
 0 packets, 0 bytes
 5 minute offered rate 0000 bps, drop rate 0000 bps
Match: any
police:
  cir 50000 bps, bc 3000 bytes, be 3000 bytes
  conformed 0 packets, 0 bytes; actions:
  transmit
  exceeded 0 packets, 0 bytes; actions:
  transmit
  violated 0 packets, 0 bytes; actions:
  drop
No color-aware policing statistics available
conformed 0000 bps, exceed 0000 bps, violate 0000 bps
Service-policy : child-policy
Class-map: user1-acl-child (match-all)
 0 packets, 0 bytes
 5 minute offered rate 0000 bps, drop rate 0000 bps
Match: access-group name user1-acl
police:
  cir 10000 bps, bc 1500 bytes
  conformed 0 packets, 0 bytes; actions:
  set-qos-transmit 5
  exceeded 0 packets, 0 bytes; actions:
  drop
  conformed 0000 bps, exceed 0000 bps
Class-map: user2-acl-child (match-all)
 0 packets, 0 bytes
 5 minute offered rate 0000 bps, drop rate 0000 bps
Match: access-group name user2-acl
police:
  cir 20000 bps, bc 1500 bytes
  conformed 0 packets, 0 bytes; actions:
  set-qos-transmit 5
  exceeded 0 packets, 0 bytes; actions:
  drop
  conformed 0000 bps, exceed 0000 bps
Class-map: class-default (match-any)
 0 packets, 0 bytes
 5 minute offered rate 0000 bps, drop rate 0000 bps
Match: any
police:
  cir 50000 bps, bc 1500 bytes
  conformed 0 packets, 0 bytes; actions:
  transmit
  exceeded 0 packets, 0 bytes; actions:
  drop
  conformed 0000 bps, exceed 0000 bps
```

## Additional References

### Related Documents

Related Topic	Document Title
Cisco IOS commands	<a href="https://www.cisco.com/c/en/us/td/docs/ios-xml/ios/mcl/allreleasemcl/all-book.html">https://www.cisco.com/c/en/us/td/docs/ios-xml/ios/mcl/allreleasemcl/all-book.html</a>

### Standards and RFCs

Standard/RFC	Title
No specific Standards and RFCs are supported by the features in this document.	—

### MIBs

MB	MIBs Link
—	To locate and download MIBs for selected platforms, Cisco IOS releases, and feature sets, use Cisco MIB Locator found at the following URL:  <a href="http://www.cisco.com/go/mibs">http://www.cisco.com/go/mibs</a>

### Technical Assistance

Description	Link
The Cisco Support website provides extensive online resources, including documentation and tools for troubleshooting and resolving technical issues with Cisco products and technologies.  To receive security and technical information about your products, you can subscribe to various services, such as the Product Alert Tool (accessed from Field Notices), the Cisco Technical Services Newsletter, and Really Simple Syndication (RSS) Feeds.  Access to most tools on the Cisco Support website requires a Cisco.com user ID and password.	<a href="http://www.cisco.com/cisco/web/support/index.html">http://www.cisco.com/cisco/web/support/index.html</a>

## Feature Information for Hierarchical Color-Aware Policing

The following table provides release information about the feature or features described in this module. This table lists only the software release that introduced support for a given feature in a given software release train. Unless noted otherwise, subsequent releases of that software release train also support that feature.

Use Cisco Feature Navigator to find information about platform support and Cisco software image support. To access Cisco Feature Navigator, go to [www.cisco.com/go/cfn](http://www.cisco.com/go/cfn). An account on Cisco.com is not required.

**Table 1: Feature Information for Hierarchical Color-Aware Policing**

<b>Feature Name</b>	<b>Releases</b>	<b>Feature Information</b>
Hierarchical Color-Aware Policing	Cisco IOS XE Release 3.15.0S	This feature was introduced on the Cisco ASR 920 Series Aggregation Services Router (ASR-920-12CZ-A, ASR-920-12CZ-D, ASR-920-4SZ-A, ASR-920-4SZ-D, ASR-920-10SZ-PD, ASR-920-24SZ-IM, ASR-920-24SZ-M, ASR-920-24TZ-M).

