



## Configuring Serial Interfaces

---

This chapter configures the serial interface module (PN: A900-IMASER14A/S) Async/Sync R232 serial data using Transparent Pseudowire (PW) over MPLS network and raw socket. It includes the following sections:

For information about managing your system images and configuration files, refer to the [Cisco IOS Configuration Fundamentals Configuration Guide](#) and [Cisco IOS Configuration Fundamentals Command Reference](#) publications.

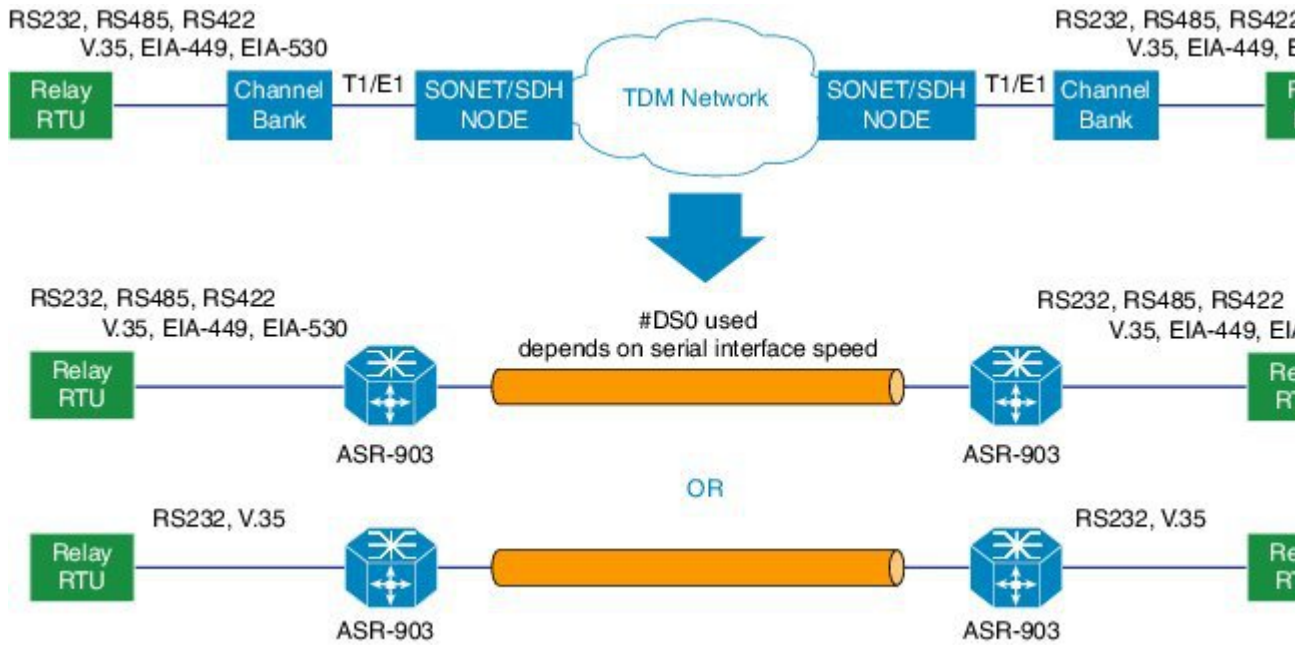
For more information about the commands used in this chapter, refer to the [Cisco IOS Command Reference](#) publication for your Cisco IOS software release.

- [Information About Serial Interface Module, on page 1](#)
- [Restrictions, on page 2](#)
- [How to Configure Serial Interface, on page 4](#)
- [Verifying the Serial Interface Configuration, on page 12](#)
- [Configuration Examples, on page 14](#)

## Information About Serial Interface Module

The serial interface module supports pseudowire transport over MPLS and raw socket for Async and Sync traffic. The Serial IM interfaces monitor and detect cable connections, cable types and also monitors modem control signals periodically.

Figure 1: Pseudowire Transport for Serial Interface



The A900-IMASER14A/S interface provides a direct connection between the Cisco ASR 903 router and external networks.



**Note** We recommend that you use a smart serial or 4-port octopus cable to connect the A900-IMASER14A/S with the external network.

Out of 14 ports, 6 ports support sync interfaces and 8 ports support async interfaces. RS232 Async data is carried over Raw Socket and Transparent byte mode and RS232 Sync data is carried over Raw Socket.

## Restrictions



**Note** Serial interfaces are *not* supported on the ASR 900 RSP3 Module.

This section describes the port restrictions for Serial interface module:

- Ports 0-7 are Async ports on the 68-pin connector
- Ports 8-13 are Sync or Async on the 12-in-1 connector



**Note** Sync is *not* supported in Cisco IOS XE Release 3.14S. Sync ports cannot be configured in Cisco IOS XE Release 3.14S.

- Maximum speed on all ports is 236Kbps.

This section describes the software limitations that apply when configuring the Serial interface module:

- The router can only be configured as data circuit-terminating equipment (DCE).
- Configuration of pseudowire between local and remote PE with different speed on Sync and Async ports is not supported.
- Sub-rate (below DS0 bandwidth) Async (R232) data over MPLS MPLS using T1/E1 CESoP is not supported.
- Pseudowire ping is *not* supported for the pseudowire configured on the serial interface module.
- Only two serial interface modules can come up on the router in release prior to Cisco IOS XE Release 3.14. Starting with Cisco IOS XE Release 3.14, all 6 bays on the router are available for insertion of interface modules simultaneously.
- Only Trans encapsulation is supported in Cisco IOS XE Release 3.14S.
- If you installed a new A900-IMASER14A/S or if you want to change the configuration of an existing interface, you must enter configuration mode to configure the new interfaces. If you replaced an A900-IMASER14A/S that was previously configured, the system recognizes the new interfaces and brings each of them up in their existing configuration.
- Pseudowire ping is *not* supported for cross-connect configured on A900-IMA14A/S interface module.
- A maximum speed of 64 kbps between PE and DTE is supported for RS232 Sync ports.
- PE can act only as DCE and provides the clock to DTE.
- Serial IM Sync signaling transport does not interoperate with the third party equipments. HLDC frames used for transport of these signals are Cisco-specific.
- CTS signal goes down, when control signal frequency is configured more than 5000 ms and timeout setting is more than 20,000 ms (4x control\_frequency), which is greater than the OIR time (~20s) for a selected subordinate to complete an OIR cycle. This results in the primary being unaware that the subordinate is down and CTS of all subordinates are down too. To avoid this situation, ensure that the timeout is shorter than the OIR time of the subordinate. Set the control frequency to less than or equal to 5000 ms and the timeout setting to less than or equal to 20,000 ms before you perform OIR.
- If the mode is changed from P2P to P2MP with one primary serving three subordinates (all three subordinates on the same card on another chassis, different from the primary) or an online insertion and removal (OIR) of the card is performed with P2MP configuration, CTS signal for all the subordinates will go down despite that all are still driving their RTS up. This will get corrected when the subordinates toggle their RTS.
- RS422 and RS485 can be configured only on ports 0-7 of the serial interface.

# How to Configure Serial Interface

## Required Configuration Tasks

### Configuring the Controller

To create the interfaces for the Serial interface module, complete these steps:

#### Procedure

	Command or Action	Purpose
<b>Step 1</b>	<b>configure terminal</b>  <b>Example:</b>  Router# <b>configure terminal</b>	Enters global configuration mode.
<b>Step 2</b>	<b>controller serial</b> <i>slot/subslot/port</i>  <b>Example:</b>  Router(config)# <b>controller serial</b> <i>0/4/1</i>	Selects the controller to configure and enters controller configuration mode.  <ul style="list-style-type: none"> <li>• <i>slot/subslot/port</i>—Specifies the location of the interface.</li> </ul> <b>Note</b> The slot number is always 0.
<b>Step 3</b>	<b>physical-layer async   sync</b>  <b>Example:</b>  Router(config-controller)# <b>physical-layer</b> <i>async</i>	Configures the serial interface in async or sync mode.  <ul style="list-style-type: none"> <li>• <i>async</i>—Specifies async interface.</li> <li>• <i>sync</i>—Specifies sync interface. This is the default mode.</li> </ul>
<b>Step 4</b>	<b>exit</b>  <b>Example:</b>  Router(config)# <b>exit</b>	Exits configuration mode and returns to the EXEC command interpreter prompt.

#### Example: Controller Configuration

```
Router# configure terminal
Router(config)# controller
0/4/1
Router(config-controller)# physical-layer async
Router(config)# exit
```

## Optional Configurations

### Configuring Layer 1 on Sync and Async Interface Server

The RS232 which is enabled by default on the async interface, supports RS232 DCE cable with the DB-25 connector. The Cisco smart serial cable with the DB-25 connector supports RS232, RS485, and RS422. The RJ45 cable type supports only RS485.

#### Procedure

---

**Step 1**     **configure terminal**

**Example:**

```
Router# configure terminal
```

Enters global configuration mode.

**Step 2**     **line slot/bay/port**

**Example:**

```
Router(config)#line 0/4/1
```

Select the controller to configure and enters serial interface configuration mode.

- *slot/subslot/port*—Specifies the location of the interface.

**Step 3**     **media-type {rs422 | rs485 }**

**Example:**

```
Router(config-line)# media-type rs422
```

Sets the media type to either RS422 or RS485.

**Step 4**     **databits {5 | 6 | 7 | 8}**

**Example:**

```
Router(config-line)# databits 8
```

Sets the databit configuration. The default is 8.

**Step 5**     **stopbits {1 | 1.5 | 2}**

**Example:**

```
Router(config-line)# stopbits 2
```

Sets the stopbit configuration. The default is 2.

**Step 6**     **speed speed-value**

**Example:**

```
Router(config-line)# speed 9600
```

Specifies the serial interface speed. The valid range is form 300 to 230400. The default is 9600.

**Step 7**     **raw-socket tcp server** *port server ip address*

**Example:**

```
Router(config-line)# raw-socket tcp server 5000 1.1.1.1
```

Specifies raw-tcp server configuration.

**Step 8**     **raw-socket packet length** *packet length*

**Example:**

```
Router(config-line)# raw-socket packet-length 32
```

Specifies raw-tcp packet length configuration options.

**Step 9**     **parity** {**even** | **mark** | **none** | **odd** | **space**}

**Example:**

```
Router(config-line)# parity none
```

Sets the parity.

**Step 10**    **sig-transport u-frame pattern** *pattern*

**Example:**

```
Router(config-line)#sig-transport u-frame pattern NR0
```

This step is specific to Sync mode only. Specifies the u-frame format used for internal signal transport.

**Step 11**    **control-sig-transport** [**on** | **off**] **frequency** *frequency range*

**Example:**

```
Router(config-line)#control-sig-transport on frequency <50-65535>
```

Specifies if hardware control signals need to be sent to remote PE or not. Also specifies the frequency (period between successive control frames) in milliseconds. By default, control signal is OFF. Frequency needs to be configured only if the control signal is ON.

**Step 12**    **connection-topology** [**point-to-point** | **point-to-multipoint**]

**Example:**

```
Router(config-line)#connection-topology point-to-multipoint
```

This step is specific to Sync mode only. Specifies the type of topology.

**Step 13**    **dtr** [**used** | **not-used**]

**Example:**

```
Router(config-line)# dtr not-used
```

(Optional) DTR is programmable when DTR pin in FPGA is not connected. By default, DTR is set as used.

**Step 14**    **connection-timeout** *timeout*

**Example:**

```
Router(config-line)# connection-timeout <800-65535>
```

(Optional) Specifies the connection timeout of the primary and subordinate session. It should be configured 4 times higher than the frequency.

**Step 15** **exit****Example:**

```
Router(config)# exit
```

Exits configuration mode and returns to the EXEC command interpreter prompt.

---

**Example: Async Layer 1 Parameters**

```
Router# configure terminal  
Router(config)# line 0/4/1  
Router(config-line)# databits 8  
Router(config-line)# stopbits 2  
Router(config-line)# speed 9600  
Router(config-line)# parity none  
Router(config-line)# exit
```

## Configuring Layer 1 on Sync and Async Interface Client

**Procedure**

---

**Step 1** **configure terminal****Example:**

```
Router# configure terminal
```

Enters global configuration mode.

**Step 2** **line slot/bay/port****Example:**

```
Router(config)# line 0/4/1
```

Select the controller to configure and enters serial interface configuration mode.

- *slot/subslot/port*—Specifies the location of the interface.

**Step 3** **databits {5 | 6 | 7 | 8}****Example:**

```
Router(config-line)# databits 8
```

**Example:**

Sets the databit configuration. The default is 8.

**Step 4** `stopbits {1 | 1.5 | 2}`**Example:**

```
Router(config-line)# stopbits 2
```

Sets the stopbit configuration. The default is 2.

**Step 5** `speed speed-value`**Example:**

```
Router(config-line)# speed 9600
```

Specifies the serial interface speed. The valid range is form 300 to 230400. The default is 9600.

**Step 6** `raw-socket tcp client server ip address server port client ip address client port`**Example:**

```
Router(config-line)# raw-socket tcp client 1.1.1.1 5000 10.10.10.10 9000
```

Specifies raw-tcp client configuration.

**Step 7** `raw-socket packet length packet length`**Example:**

```
Router(config-line)# raw-socket packet-length 32
```

Specifies raw-tcp packet length configuration options.

**Step 8** `parity {even | mark | none | odd | space}`**Example:**

```
Router(config-line)# parity none
```

Sets the parity.

**Step 9** `exit`**Example:**

```
Router(config)# exit
```

Exits configuration mode and returns to the EXEC command interpreter prompt.

## Configuring a Channel Group

### Procedure

	Command or Action	Purpose
<b>Step 1</b>	<b>configure terminal</b>  <b>Example:</b>  Router# <b>configure terminal</b>	Enters global configuration mode.



	Command or Action	Purpose
<b>Step 2</b>	<b>controller serial</b> <i>slot/bay/port</i> <b>Example:</b> Router(config)# <b>controller serial</b> <b>0/4/1</b>	Configures the controller.  <i>slot/subslot/port</i> —Specifies the location of the interface.
<b>Step 3</b>	<b>channel-group</b> <i>channel-group</i> <b>Example:</b> Router(config-controller)# <b>channel-group 0</b>	Configures the channel group with specified NxDS0 time slots.
<b>Step 4</b>	<b>exit</b> <b>Example:</b> Router(config-controller)# <b>exit</b>	Exits configuration mode and returns to the EXEC command interpreter prompt.

### Example: Channel Group

```
Router# configure terminal
Router(config)# controller serial 0/4/1
Router(config-controller)# channel-group 0
Router(config-controller)# exit
```

## Configuring Encapsulation

When traffic crosses a WAN link, the connection needs a Layer 2 protocol to encapsulate traffic.



**Note** L2TPv3 encapsulation is *not* supported on the Cisco ASR 900 Series router. Trans encapsulation is only supported in Cisco IOS XE Release 3.14S.

### Procedure

	Command or Action	Purpose
<b>Step 1</b>	<b>configure terminal</b> <b>Example:</b> Router# <b>configure terminal</b>	Enters global configuration mode.
<b>Step 2</b>	<b>interface serial</b> <i>slot/bay/port</i> <b>Example:</b> Router(config)# <b>interface serial</b> <b>0/4/1</b>	Selects the interface to configure from global configuration mode. <ul style="list-style-type: none"> <li>• <i>slot/subslot/port</i>—Specifies the location of the interface.</li> </ul>

## Example: Encapsulation

	Command or Action	Purpose
<b>Step 3</b>	<b>encapsulation {ppp raw-tcp   trans   sdmc}</b> <b>Example:</b> <pre>Router(config-if)# encapsulation raw-tcp</pre>	Set the encapsulation method on the interface. <ul style="list-style-type: none"> <li>• <b>ppp</b>—Described in RFC 1661, PPP encapsulates network layer protocol information over point-to-point links.</li> <li>• <b>trans</b>—Transparent encapsulation.</li> </ul> <p><b>Note</b> Trans encapsulation is supported on the access side for serial interfaces which has cross connect configured.</p> <ul style="list-style-type: none"> <li>• <b>sdmc</b>—Switched Multimegabit Data Services (SDMC) for serial interface.</li> </ul>
<b>Step 4</b>	<b>exit</b> <b>Example:</b> <pre>Router(config)# exit</pre>	Exits configuration mode and returns to the EXEC command interpreter prompt.

## Example: Encapsulation

```
Router# configure terminal
Router(config)# interface serial 0/
4/1
Router(config-if)# encapsulation trans
Router(config-if)# exit
```

## Configuring Transparent Pseudowire (PW) Cross-Connect

Transparent PW mode provides a facility to configure the speed between 300 bps to 230400 bps.

## Procedure

	Command or Action	Purpose
<b>Step 1</b>	<b>configure terminal</b> <b>Example:</b> <pre>Router# configure terminal</pre>	Enters global configuration mode.
<b>Step 2</b>	<b>interface serial <i>slot/bay/port</i></b> <b>Example:</b> <pre>Router(config)# interface serial 0/4/1</pre>	Selects the interface to configure from global configuration mode. <ul style="list-style-type: none"> <li>• <i>slot/subslot/port</i>—Specifies the location of the interface.</li> </ul>
<b>Step 3</b>	<b>xconnect <i>peer-router-id vcid</i> encapsulation mpls</b> <b>Example:</b>	Configures the VC to transport packets.

	Command or Action	Purpose
	Router(config-if)# <b>xconnect 1.1.1.1 1001 encapsulation mpls</b>	
<b>Step 4</b>	<b>exit</b> <b>Example:</b> Router(config)# <b>exit</b>	Exits configuration mode and returns to the EXEC command interpreter prompt.

### Example: Transparent Pseudowire on Cross Connect

```
Router# configure terminal
Router(config)# interface serial 0/
4/1
Router(config-if)# xconnect 1.1.1.1 1001 encapsulation mpls
Router(config)# exit
```

## Configuring Invert Clock Signal

### Procedure

	Command or Action	Purpose
<b>Step 1</b>	<b>configure terminal</b> <b>Example:</b> Router# <b>configure terminal</b>	Enters global configuration mode.
<b>Step 2</b>	<b>controller serial slot/bay/port</b> <b>Example:</b> Router(config)# <b>controller serial 0/4/1</b>	Configures the controller. <i>slot/subslot/port</i> —Specifies the location of the interface.
<b>Step 3</b>	<b>invert data</b> <b>Example:</b> Router(config-controller)# <b>invert data</b>	Configures the invert data clock signal.
<b>Step 4</b>	<b>exit</b> <b>Example:</b> Router(config)# <b>exit</b>	Exits configuration mode and returns to the EXEC command interpreter prompt.

### Example: Invert Data on the Serial Interface

The following example shows invert data configuration on the serial interface.

```
Router# configure terminal
Router(config)# controller serial 0/4/1
Router(config-controller)# invert data
Router(config-controller)# exit
```

## Configuring NRZI Formats

### Procedure

	Command or Action	Purpose
<b>Step 1</b>	<b>configure terminal</b> <b>Example:</b>  Router# <b>configure terminal</b>	Enters global configuration mode.
<b>Step 2</b>	<b>interface serial slot/bay/port</b> <b>Example:</b>  Router(config)# interface serial 0/4/1	Select the controller to configure and enters serial interface configuration mode. <ul style="list-style-type: none"> <li>• <i>slot/subslot/port</i>—Specifies the location of the interface.</li> </ul>
<b>Step 3</b>	<b>nrzi-encoding</b> <b>Example:</b>  Router(config-if)# nrzi-encoding	Enable NRZI encoding.  To disable NRZI encoding, use the no form of the command.

## Saving the Configuration

To save your running configuration to nonvolatile random-access memory (NVRAM), use the following command in privileged EXEC configuration mode:

Command	Purpose
<b>copy running-config startup-config</b>	Writes the new configuration to NVRAM.

For information about managing your system images and configuration files, refer to the [Cisco IOS Configuration Fundamentals Configuration Guide](#) and [Cisco IOS Configuration Fundamentals Command Reference](#) publications.

## Verifying the Serial Interface Configuration

Use the following commands to verify the configuration the serial interface

- **show controllers serial slot/bay/port**

Use the **show controllers serial slot/bay/port** command to **display** serial interface configuration on the router.

```
Router# show controllers serial 0/1/0
Serial0/1/0 - (A900-IMASER14A/S) is up
  Encapsulation : RAW-TCP
  Cable type: RS-232 DCE
```

```

mtu 1500, max_buffer_size 1524, max_pak_size 1524 enc 84
loopback: Off, crc: 16, invert_data: Off
nrzi: Off, idle char: Flag
dce_terminal_timing_enable: Off ignore_dtr: Off
serial_clockrate: 64000bps, serial_clock_index: 14 serial_restartdelay:30000,
serial_restartdelay_def:30000

```

```

DCD=up DSR=up DTR=up RTS=up CTS=up

```

- **show interfaces serial slot/bay/port**

Use the **show interfaces serial slot/bay/port** command to **display** serial interface packet status information, model control signal status information on the router.

```

Router# show interfaces serial 0/1/0
Serial0/1/0 is up, line protocol is up
  Hardware is A900-IMASER14A/S
  MTU 1500 bytes, BW 64 Kbit/sec, DLY 20000 usec,
    reliability 255/255, txload 47/255, rxload 103/255
  Encapsulation RAW-TCP, loopback not set
  Keepalive not supported
  Last input never, output 00:00:00, output hang never
  Last clearing of "show interface" counters 00:38:06
  Input queue: 0/375/0/0 (size/max/drops/flushes); Total output drops: 0
  Queueing strategy: fifo
  Output queue: 0/40 (size/max)
  5 minute input rate 26000 bits/sec, 69 packets/sec
  5 minute output rate 12000 bits/sec, 69 packets/sec
    157782 packets input, 7562229 bytes, 0 no buffer
    Received 0 broadcasts (0 IP multicasts)
    0 runts, 0 giants, 0 throttles
    0 input errors, 0 CRC, 0 frame, 0 overrun, 0 ignored, 0 abort
    156862 packets output, 3460471 bytes, 0 underruns
    0 output errors, 0 collisions, 0 interface resets
    0 unknown protocol drops
    0 output buffer failures, 0 output buffers swapped out
    0 carrier transitions
  DCD=up DSR=up DTR=up RTS=up CTS=up

```

- **show running-config interface serial slot/bay/port**

Use the **show running-config interface serial slot/bay/port** command to **display** serial interface IP address information, keep alive and cross-connect status information on the router.

```

Router# show running-config interface serial 0/1/0
Building configuration...
Current configuration : 107 bytes
!
interface Serial0/1/0
  no ip address
  encapsulation trans
  xconnect 1.1.1.1 1001 encapsulation mpls
End

```

- **show xconnect all**

Use the **show xconnect all** command to **display** all cross connect status on the router.

```

Router# show xconnect all
Legend:   XC ST=Xconnect State  S1=Segment1 State  S2=Segment2 State
          UP=Up                DN=Down             AD=Admin Down      IA=Inactive
          SB=Standby           HS=Hot Standby     RV=Recovering      NH=No Hardware

```

```

XC ST Segment 1                               S1 Segment 2                               S2
-----+-----+-----+-----+-----+-----+-----+-----+-----+-----+-----+-----+
UP pri ac Se0/1/0(HDLC)                        UP mpls 1.1.1.1:1001                        UP

```

Use the **show raw-socket tcp sessions** and **show raw-socket tcp statistic** commands to display the raw socket status.

```

Router#show raw-socket tcp sessions
----- TCP Sessions -----
Interface tty          vrf_name          socket mode      local_ip_addr  local_port
dest_ip_addr dest_port  up_time      idle_time/timeout
0/3/12 154      listening  ----          -----
0/3/12 154      0/3/12 154      0 server      20.20.20.20    5000
10.10.10.10 9000      00:20:49      00:00:00/5 min 1 server      20.20.20.20    5000

```

```

Router#show raw-socket tcp statistic
----- TCP-Serial Statistics -----
Interface tty          vrf_name          sessions      tcp_in_bytes
tcp_out_bytes tcp_to_tty_frames tty_to_tcp_frames
0/3/12 154      4640310          87709          87671          1          1847204

```

## Configuration Examples

This section includes the following configuration examples:

### Example: Encapsulation Configuration

The following example sets encapsulation for the controller and interface:

#### PE1 CONFIG

```

controller SERIAL 0/1/0
 physical-layer async
 channel-group 0
interface Serial0/1/0
 no ip address
 encapsulation trans
 xconnect 2.2.2.2 1001 encapsulation mpls

```

#### PE2 CONFIG

```

controller SERIAL 0/2/0
 physical-layer async
 channel-group 0
interface Serial0/2/0
 no ip address
 encapsulation trans
 xconnect 1.1.1.1 1001 encapsulation mpls

```