



Installing the Cisco 1GE-CU-SFP and 2GE-CU-SFP Network Interface Modules in Cisco 4000 Series Integrated Services Routers

First Published: April 2015

This document provides information that you should know before and during the installation of the Cisco 1GE-CU-SFP and 2GE-CU-SFP Network Interface Modules (NIMs) in the Cisco 4000 Series Integrated Services Routers. This document contains the following sections:

- [Overview, page 1](#)
- [Recommended Practices for the Cisco 1GE-CU-SFP and 2GE-CU-SFP NIMs, page 1](#)
- [Cisco 1GE-CU-SFP and 2GE-CU-SFP NIMs, page 4](#)
- [Installing Cisco 1GE-CU-SFP and 2GE-CU-SFP NIMs, page 6](#)
- [Related Documents, page 8](#)

Overview

The Cisco 1GE-CU-SFP and 2GE-CU-SFP Network Interface Modules (NIMs) are software-configurable high-speed connectivity routing port network interface modules for the Cisco 4000 and Cisco ISR 4300 Series Integrated Services Routers (ISR). These network interface modules provide increased density of Ethernet interfaces on the Cisco 4000 and Cisco ISR 4300 Series ISR. [Table 1 on page 1](#) lists the network interface modules.

Table 1 Description of the Cisco Network Interface Modules

Network Interface Module SKU	Description
1GE-CU-SFP	1-port GE/SFP connectivity.
2GE-CU-SFP	2-port GE/SFP connectivity.

Recommended Practices for the Cisco 1GE-CU-SFP and 2GE-CU-SFP NIMs

This section describes recommended practices for safe and effective installation of the hardware described in this document.

- [Safety Recommendations, page 2](#)
- [Preventing Electrostatic Discharge Damage, page 2](#)

- [General Maintenance Guidelines, page 3](#)
- [Safety Warnings, page 3](#)

Safety warnings included in this section apply to the Cisco 1GE-CU-SFP and 2GE-CU-SFP NIMs that are used on Cisco 4000 Series Integrated Services Routers.

Safety Recommendations

To prevent hazardous conditions, follow these safety recommendations while working with this equipment:

- Keep tools away from walk areas where you or others could fall over them.
- Do not wear loose clothing around the router. Fasten your tie or scarf and roll up your sleeves to prevent clothing from being caught in the chassis.
- Wear safety glasses when working under any conditions that might be hazardous to your eyes.
- Locate the emergency power-off switch in the room before you start working. If an electrical accident occurs, shut the power off.
- Before working on the router, turn off the power and unplug the power cord.
- Disconnect all power sources before doing the following:
 - Installing or removing a router chassis
 - Working near power supplies
- Do not work alone if potentially hazardous conditions exist.
- Always check that power is disconnected from a circuit.
- Remove possible hazards from your work area, such as damp floors, ungrounded power extension cables, or missing safety grounds.
- If an electrical accident occurs, proceed as follows:
 - Use caution; do not become a victim yourself.
 - Turn off power to the room using the emergency power-off switch.
 - Determine the condition of the victim and send another person to get medical aid or call for help.
 - Determine if the person needs rescue breathing or external cardiac compressions; then take appropriate action.

Preventing Electrostatic Discharge Damage

Electrostatic discharge can damage equipment and electrical circuitry. Electrostatic discharge occurs when electronic printed circuit cards, such as those used in Cisco service modules and network modules, are improperly handled and can result in complete or intermittent equipment failure. Always observe the following electrostatic discharge damage (ESD) prevention procedures when installing, removing, or replacing any electronic printed circuit cards:

- Make sure that the router chassis is electrically connected to earth ground.
- Wear an ESD-preventive wrist strap, and make sure that it makes good contact with your skin.
- Connect the wrist strap clip to an unpainted portion of the chassis frame to channel unwanted ESD voltages to ground.

Caution: The wrist strap and clip must be used correctly to ensure proper ESD protection. Periodically confirm that the resistance value of the ESD-preventive wrist strap is between 1 and 10 megohms (Mohm).

- If no wrist strap is available, ground yourself by touching the metal part of the router chassis.

General Maintenance Guidelines

The following maintenance guidelines apply to the Cisco 1GE-CU-SFP and 2GE-CU-SFP NIMs:

- Keep the router chassis area clear and dust-free during and after installation.
- If you remove the chassis cover for any reason, store it in a safe place.
- Do not perform any action that creates a hazard to people or makes equipment unsafe.
- Keep walk areas clear to prevent falls or damage to equipment.
- Follow installation and maintenance procedures as documented by Cisco Systems, Inc.

Safety Warnings

The following safety warning statements apply to all hardware procedures involving the Cisco 1GE-CU-SFP and 2GE-CU-SFP NIMs for Cisco 4000 Series Integrated Services Routers. Translations of these warnings are available in the *Cisco Network Modules and Interface Cards Regulatory Compliance and Safety Information* document, which ships with all individual Cisco 1GE-CU-SFP and 2GE-CU-SFP NIMs orders, and is also available online.

Warning: IMPORTANT SAFETY INSTRUCTIONS

This warning symbol means danger. You are in a situation that could cause bodily injury. Before you work on any equipment, be aware of the hazards involved with electrical circuitry and be familiar with standard practices for preventing accidents. Use the statement number provided at the end of each warning to locate its translation in the translated safety warnings that accompanied this device. Statement 1071

SAVE THESE INSTRUCTIONS

Warning: Read the installation instructions before connecting the system to the power source. Statement 1004

Warning: This unit might have more than one power supply connection. All connections must be removed to de-energize the unit. Statement 1028

Warning: Only trained and qualified personnel should be allowed to install, replace, or service this equipment. Statement 1030

Warning: Do not use this product near water; for example, near a bath tub, wash bowl, kitchen sink or laundry tub, in a wet basement, or near a swimming pool. Statement 1035

Warning: Never install telephone jacks in wet locations unless the jack is specifically designed for wet locations. Statement 1036

Warning: Never touch uninsulated telephone wires or terminals unless the telephone line has been disconnected at the network interface. Statement 1037

Warning: Avoid using a telephone (other than a cordless type) during an electrical storm. There may be a remote risk of electric shock from lightning. Statement 1038

Warning: To report a gas leak, do not use a telephone in the vicinity of the leak. Statement 1039

Warning: Ultimate disposal of this product should be handled according to all national laws and regulations. Statement 1040

Warning: When installing or replacing the unit, the ground connection must always be made first and disconnected last. Statement 1046

The following warnings apply in Australia:

Warning: Before working on equipment that is connected to power lines, remove jewelry (including rings, necklaces, and watches). Metal objects will heat up when connected to power and ground and can cause serious burns or weld the metal object to the terminals. Statement 43

Warning: Because invisible laser radiation may be emitted from the aperture of the port when no fiber cable is connected, avoid exposure to laser radiation and do not stare into open apertures. Statement 125

Warning: Do not work on the system or connect or disconnect cables during periods of lightning activity. Statement 1001

Warning: To avoid electric shock, do not connect safety extra-low voltage (SELV) circuits to telephone-network voltage (TNV) circuits. LAN ports contain SELV circuits, and WAN ports contain TNV circuits. Both LAN and WAN ports may use RJ-45 connectors. Use caution when connecting cables. Statement 1021

Warning: Hazardous network voltages are present in WAN ports regardless of whether power to the router is OFF or ON. To avoid electric shock, use caution when working near WAN ports. When detaching cables, detach the end away from the router first. Statement 1026

Warning: Before opening the chassis, disconnect the telephone-network cables to avoid contact with telephone-network voltages. Statement 1041

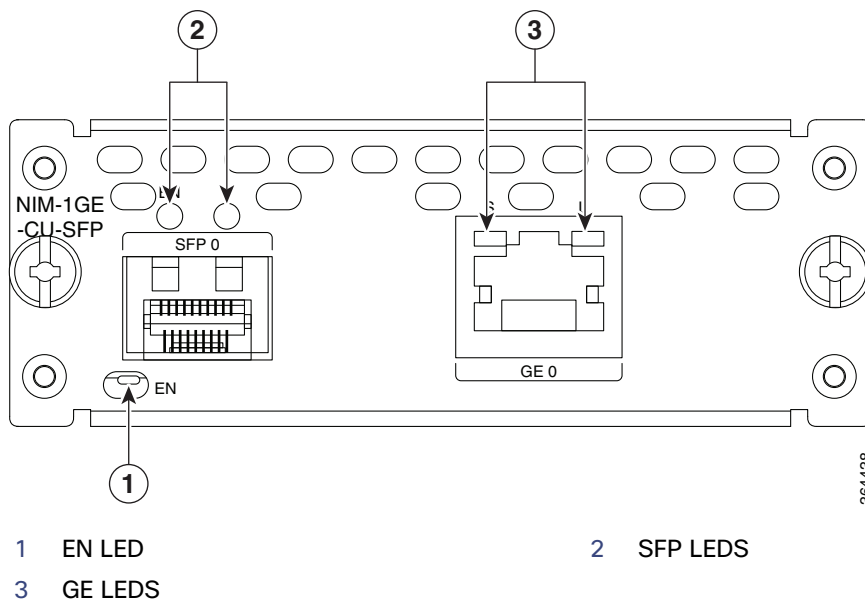
Warning: The telecommunications lines must be disconnected 1) before unplugging the main power connector and/or 2) while the housing is open. Statement 1043

Cisco 1GE-CU-SFP and 2GE-CU-SFP NIMs

Figure 1 on page 4 shows the front panel of the Cisco 1-port GE NIM, and Figure 2 on page 5 shows the front panel of the 2-port GE NIM.

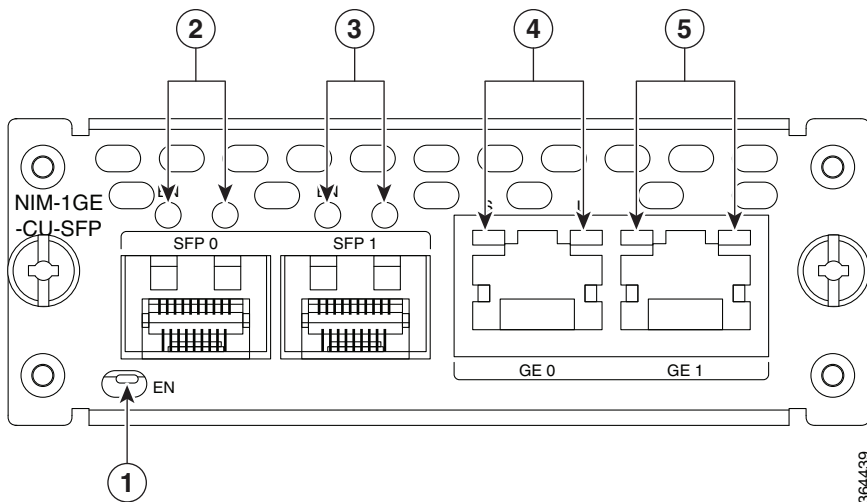
The LEDs for each port can be located at the top or bottom depending on the orientation of the port. The EN/SFP LED is a bi-color LED, and the RJ45 LED is a single-color LED.

Figure 1 1-Port GE Network Interface Module: Front Panel



Enable LED

Figure 2 2-Port GE Network Interface Module: Front Panel



- 1 EN LED
- 2 SFP0 LEDS
- 3 SFP1 LEDS
- 4 GE0 Speed and Link Ports
- 5 GE1 Speed and Link Ports

Note: The SKU for this product is identified by combining the three letters on the left side of the face plate “NIM”, followed by a dash “-”, and then followed by the remaining product identification on the right. For example, NIM-1GE-CPU-SFP or NIM-2GE-CU-SFP.

Enable LED

The NIMs have an Enable LED which is mounted on the NIMs and visible through the faceplate of the NIMs on the bottom left. The requirements for the LED include:

- A Green/Amber Dual Color LED
- Defaults to off on power up
- Fully controlled by the host
- LED behavior as below

Table 2 EN LED Behavior

LED Color	Description
Solid Green	The module is powered on and is functioning correctly.
Solid Amber	The module has some failure.
Off	Default state when the module is powered on for the first time. This state is persistent until changed by the host software.

Small Form-Factor Pluggable Status LED

Each Small Form-Factor Pluggable (SFP) port has two bi-color LEDs to indicate the status. These LEDs are mounted on the NIM boards.

Table 3 SFP LEDs Behavior

Function	Color/State	Description
EN (SFP EN Status)	Green	SFP type is valid and no error in the SFP
	Amber	SFP type is not valid or there is an error in the SFP
	OFF	Off- LED will be off for either of the below two cases: 1. Active Media type is not SFP 2. When active media type is SFP but SFP is not preset
S (SFP Speed Status)	3 Blink	1G
	2 Blink	100M
	OFF	The link is OFF

RJ45 status LED

Each RJ45 port has two single LEDs to indicate the status. These LEDs are embedded within the MAGJACK RJ45.

Table 4 RJ45 LEDs behavior

RJ45	Function	Color/State	Description
GE 0 and GE 1	L (RJ45 Link Status)	Solid Green	The link is active
		OFF	The link is OFF
	S (RJ45 Speed Status)	3 Blink	1G Speed
		2 Blink	100M Speed
		1 Blink	10M Speed
		OFF	The link is OFF

Installing Cisco 1GE-CU-SFP and 2GE-CU-SFP NIMs

This section describes the following installation tasks for Cisco 1GE-CU-SFP and 2GE-CU-SFP NIMs.

- [Tools and Equipment Required During Installation, page 6](#)
- [Installing a Cisco 1GE-CU-SFP and 2GE-CU-SFP NIMs in the Cisco 4000 Series Integrated Services Routers, page 7](#)
- [Removing a Cisco 1GE-CU-SFP and 2GE-CU-SFP NIMs from the Cisco 4000 Series Integrated Services Routers, page 7](#)

Tools and Equipment Required During Installation

You will need the following tools and equipment while working with the Cisco 1GE-CU-SFP and 2GE-CU-SFP NIMs:

- Number 1 Phillips screwdriver or a small flat-blade screwdriver
- ESD-preventive wrist strap

Warning: No user-serviceable parts inside. Do not open. Statement 1073

Warning: Only trained and qualified personnel should be allowed to install, replace, or service this equipment. Statement 1030

Installing a Cisco 1GE-CU-SFP and 2GE-CU-SFP NIMs in the Cisco 4000 Series Integrated Services Routers

1. Shut down the electrical power to the slot in the router either by turning off the electrical power to the router or by issuing the online insertion and removal (OIR) commands. Leave the power cable plugged in to channel ESD voltages to ground. For more information on OIR, see the “Managing Cisco Enhanced Services and Network Interface Modules” chapter in the *Software Configuration Guide for the Cisco 4451-X Integrated Services Router*.
2. Remove all network cables, including telephone cables, from the rear panel of the router.
3. Remove the blank faceplates installed over the network interface module slot that you intend to use.

Note: Save blank faceplates for future use.

4. Align the module with the guides in the chassis walls or slot divider and slide it gently into the NIM slot on the router.
5. Push the module into place until you feel the edge connector seat securely into the connector on the router backplane. The module faceplate should contact the chassis rear panel.
6. Using a number 1 Phillips or flat-blade screwdriver, tighten the captive screws on the network interface module.
7. Connect the module to the network and re-enable the power to the slot in the router.

Note: See the [Related Documents, page 8](#) for information on locating additional hardware documentation.

Removing a Cisco 1GE-CU-SFP and 2GE-CU-SFP NIMs from the Cisco 4000 Series Integrated Services Routers

1. Shut down the electrical power to the slot in the router either by turning off the electrical power to the router or by issuing the online insertion and removal (OIR) commands. Leave the power cable plugged in to channel ESD voltages to ground. For more information on OIR, see the “Managing Cisco Enhanced Services and Network Interface Modules” chapter in the *Software Configuration Guide for the Cisco 4000 Series Integrated Services Router*.

Note: You cannot shutdown the electrical power if the slot is empty.

2. Remove all network cables, including telephone cables, from the rear panel of the router.
3. Using a number 1 Phillips or flat-blade screwdriver, loosen the captive screws on the network interface module.
4. Slide the network interface module out.
5. If you are not replacing the module, install a blank faceplate over the empty slot to ensure proper air flow.

Related Documents

Related Topic	Document Title
Information on the Cisco ISR4000 Routers	Hardware Installation Guide for the Cisco 4451-X Integrated Services Router
Information on configuring Cisco 4451-X Integrated Services Routers	Software Configuration Guide for the Cisco 4451-X Integrated Services Router
Information on configuring Cisco 1GE-CU-SFP and 2GE-CU-SFP NIMs	Configuring the Cisco 1GE-CU-SFP and 2GE-CU-SFP Network Interface Modules in Cisco 4000 Series Integrated Services Routers
Information on connecting Cisco 6-port GE SFP Service Modules and Cisco 4-port GE SFP and 1-port 10 GE SFP Service Modules	Connecting the Cisco 6-port GE SFP Service Modules and Cisco 4-port GE SFP and 1-port 10 GE SFP Service Modules to the Network
Information on configuring Cisco 6-port GE SFP Service Modules and Cisco 4-port GE SFP and 1-port 10 GE SFP Service Modules	Software Configuration Guide for the Cisco 6-port GE SFP Service Module and Cisco 4-port GE SFP and 1-port 10 GE SFP Service Module
Regulatory Compliance and Safety Information	Cisco Network Modules and Interface Cards Regulatory Compliance and Safety Information

The Cisco 1GE-CU-SFP and 2GE-CU-SFP NIMs can also be installed on the Cisco 4000 Series Routers using the Cisco SM-X-NIM-ADPTR adapter card. For details, see [Connecting the Cisco Network Interface Module Adapter for SM-X Slot on the Cisco 4300 and 4400 Integrated Services Routers](#).

Cisco and the Cisco logo are trademarks or registered trademarks of Cisco and/or its affiliates in the U.S. and other countries. To view a list of Cisco trademarks, go to this URL: www.cisco.com/go/trademarks. Third-party trademarks mentioned are the property of their respective owners. The use of the word partner does not imply a partnership relationship between Cisco and any other company. (1110R)

Any Internet Protocol (IP) addresses and phone numbers used in this document are not intended to be actual addresses and phone numbers. Any examples, command display output, network topology diagrams, and other figures included in the document are shown for illustrative purposes only. Any use of actual IP addresses or phone numbers in illustrative content is unintentional and coincidental.

© 2015 Cisco Systems, Inc. All rights reserved.