



Installation

This chapter provides information on the following topics:

- [Preparing for Installation](#)
- [Preventing Damage to the Router](#)
- [Mounting the Router](#)
- [Installing the Router](#)
- [Using the Router LEDs to Check Links](#)

Preparing for Installation

This section provides information on safety, mounting of the router, and unpacking of the router box.

Safety

This section provides safety warnings and electrostatic and router damage information for the Cisco 837 and SOHO 97 routers.

Warnings

Before installing the router, read the following warnings:



Only trained and qualified personnel should be allowed to install or replace this equipment.



Read the installation instructions before you connect the system to its power source.



Before working on a system that has a standby/off switch, turn the power to standby and unplug the power cord.



Before working on equipment that is connected to power lines, remove jewelry (including rings, necklaces, and watches). Metal objects will heat up when connected to power and ground and can cause serious burns or weld the metal object to the terminals.

**Warning**

To avoid electric shock, do not connect safety extra-low voltage (SELV) circuits to telephone-network voltage (TNV) circuits. LAN ports contain SELV circuits, and WAN ports contain TNV circuits. Some LAN and WAN ports both use RJ-45 connectors. Use caution when connecting cables.

**Warning**

Ultimate disposal of this product should be handled according to all national laws and regulations.

**Warning**

If the symbol of suitability with an overlaid cross (⊗) appears above a port, you must not connect the port to a public network that follows the European Union standards. Connecting the port to this type of public network can cause severe injury or damage your router.

**Warning**

This equipment is not designed for making emergency telephony calls when the power fails. Alternative arrangements should be made for access to emergency services. Access to emergency services can be affected by any call-barring function of this equipment.

**Warning**

To reduce the risk of fire, use only No.26 AWG or larger telecommunication line cord.

**Warning**

This equipment contains a ring signal generator (ringer), which is a source of hazardous voltage. Do not touch the RJ-11 (phone) port wires (conductors), the conductors of a cable connected to the RJ-11 port, or the associated circuit-board when the ringer is active. The ringer is activated by an incoming call.

**Warning**

During this procedure, wear grounding wrist straps to avoid ESD damage to the card. Do not directly touch the backplane with your hand or any metal tool, or you could shock yourself.

Preventing Electrostatic Discharge Damage

Electrostatic discharge (ESD) is a transfer of electrostatic charge between bodies of different electrostatic potentials, such as an operator and a piece of electrical equipment. It occurs when electronic components are improperly handled, and it can damage equipment and impair electrical circuitry. Electrostatic discharge is more likely to occur with the combination of synthetic fibers and dry atmosphere.

Always use the following ESD-prevention procedures when removing and replacing components:

Step 1 Wear an ESD-preventive wrist strap that you provide, ensuring that it makes good skin contact.

**Caution**

To properly guard against ESD damage and shocks, the wrist strap and cord must operate effectively. Always observe the warnings in the “[Warnings](#)” section on page 2-2.

Step 2 Do not touch any exposed contact pins or connector shells of interface ports that do not have a cable attached. If cables are connected at one end only, do not touch the exposed pins at the unconnected end of the cable.

**Note**

This device is intended only for use in residential and commercial environments.

**Caution**

Periodically check the resistance value of the antistatic strap, which should be between 1 and 10 megohms (Mohms).

Unpacking the Box

Table 2-1 lists the items that come with your router. All these items are in the accessory kit that is inside the box that your router came in. If any of the items is missing or damaged, contact your customer service representative.

Table 2-1 Router Box Contents

• Power cord (black)
• Desktop power supply
• ADSL cable (lavender)
• Console cable, RJ-45-to-DB-9 (light blue)
• Async modem cable for dial backup and remote management, RJ-45-to-DB-25 (light blue) (ORDERED SEPARATELY)
• Ethernet cable (yellow)
• Product documentation

To prepare for installation, follow these steps:

-
- Step 1** Obtain the ADSL line.
- Step 2** Remove the yellow Ethernet cable, light blue console cable, lavender ADSL cable, and product documentation from the Open Me First bag. Remove the desktop power supply and the black power cord from the accessory kit. Gather the Ethernet devices to be connected to the router: hub, server, workstation, or PC.
- Step 3** If you plan to connect an analog telephone or fax machine, gather these devices. You must also provide the telephone cable to connect each device.
- Step 4** If you plan to configure the software using a terminal or a PC connected to the router, provide the terminal or PC.
-

**Note**

An optional cable used for connecting a Cisco 837 router's console port to an async modem is available for dial backup and remote management. (The SOHO 97 router does not need this cable.) This SOHO/800 Series Router Modem Cable needs to be ordered separately. Contact your router vendor to order this cable.

Preventing Damage to the Router

Follow these guidelines when connecting devices to your router:

- Connect the color-coded cables supplied by Cisco Systems to the color-coded ports on the back panel.
- If you must supply your own cable, see [Appendix A, “Specifications and Cables,”](#) for cabling specifications. If this appendix does not provide specifications for a particular cable, we strongly recommend that you order the cable from Cisco Systems.
- If the symbol of suitability (☒) appears above a port, you can connect the port directly to a public network that follows the European Union standards.

**Warning**

If the symbol of suitability with an overlaid cross (☒) appears above a port, you must not connect the port to a public network that follows the European Union standards. Connecting the port to this type of public network can cause severe injury or damage to your router.

Mounting the Router

You can mount the router on one of the following surfaces:

- Table or other horizontal surface
- Wall or other vertical surface

Mounting on a Table

Place the router firmly on a table, and perform the procedure given in the [“Installing the Router” section on page 2-10](#).



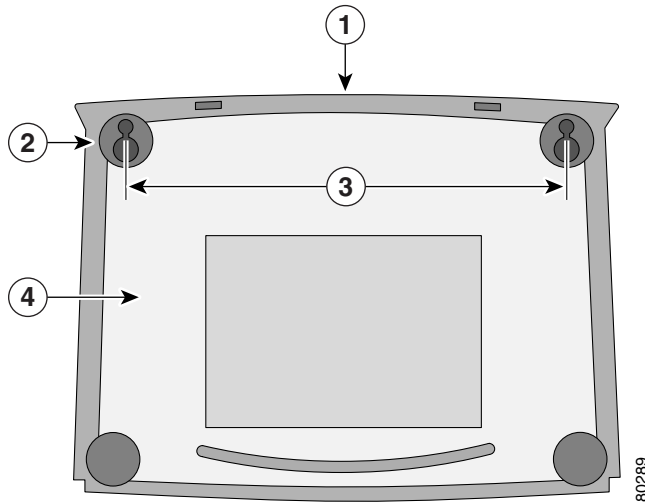
Caution

Do not cover or obstruct the router vents, which are located on the sides of the router. If the vents are covered or obstructed, overheating could occur and cause damage to the router.

Mounting on a Wall

You can mount the router on a wall or other vertical surface by using the molded mounting brackets on the bottom of the router and two number-six, 3/4-in. (M3.5 x 20 mm) screws. You must provide the screws. [Figure 2-1](#) shows the mounting brackets.

Figure 2-1 Wall-Mounting Brackets (Bottom of Router)



1	Front panel of router	3	Distance between two mounting brackets (7 5/8 in. or 19.35 cm)
2	Mounting bracket	4	Bottom of router

**Caution**

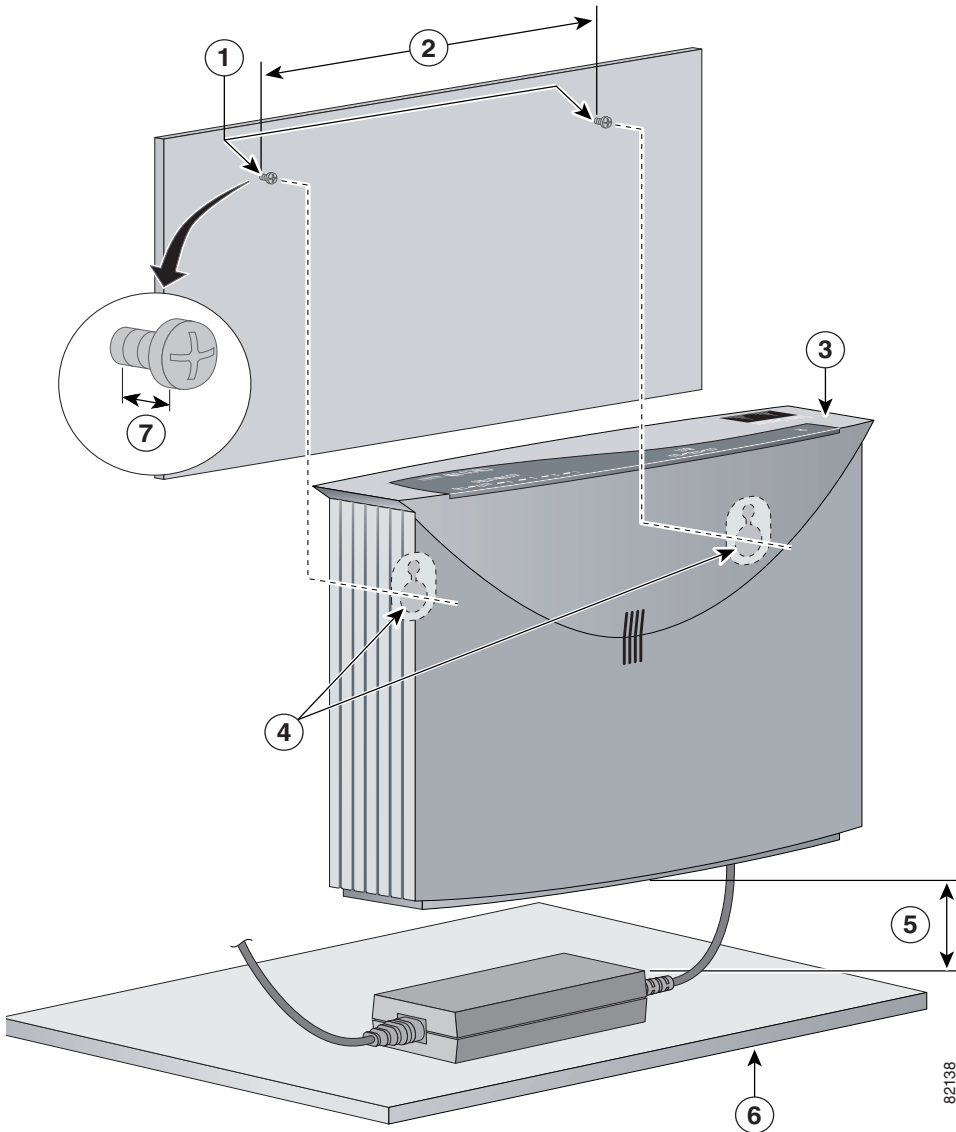
If you are mounting the router on drywall, use three hollow-wall anchors to secure the three 1/8-in. (M3) screws. If the screws are not properly anchored, the strain of the network cable connections could pull the router from the wall. Use the drill bit size that is specified by the hollow-wall anchor manufacturer.

The following requirements must be met when you mount the router:

- Because the LEDs are used as status and problem indicators, the LEDs on the front panel must face upward and must be easily visible.
- The back panel must face down to reduce strain on the cable connections.
- The power supply must rest on a horizontal surface, such as the floor or a table. If the power supply is not supported, strain on the power supply cable could cause it to disconnect from the connector on the router back panel.

To mount the router, follow the steps given after [Figure 2-2](#).

Figure 2-2 *Mounting Router on a Wall*



1	Two number-six, 3/4-in. screws	5	Maximum distance between the router and the power supply (6 ft [1.8 m])
2	Distance between the two screws (7 5/8 in. [19.35 cm])	6	Horizontal surface for placing the power supply.
3	Cisco 837 router	7	Distance between the screw and the wall (1/8 in. [0.32 cm]).
4	Mounting brackets		

Perform the following steps to mount the router on the wall:

-
- Step 1** Secure two screws 7 5/8 inches (19.35 cm) apart into a wall and 1/8 inch (0.32 cm) from the wall.
- Step 2** Hang the router on the screws as shown in Figure 2-3.
- Step 3** Place the power supply on a horizontal surface.
-

Installing the Router

To install the router, you need to perform the following tasks in the following order:

1. Connect the Ethernet devices to the router.
2. Connect the ADSL line.
3. Connect a terminal or PC to the router for software configuration using the command-line interface (CLI) or for troubleshooting.
4. Connect the router to the power source.
5. Verify the links, using the router LEDs.

Connecting Ethernet Devices

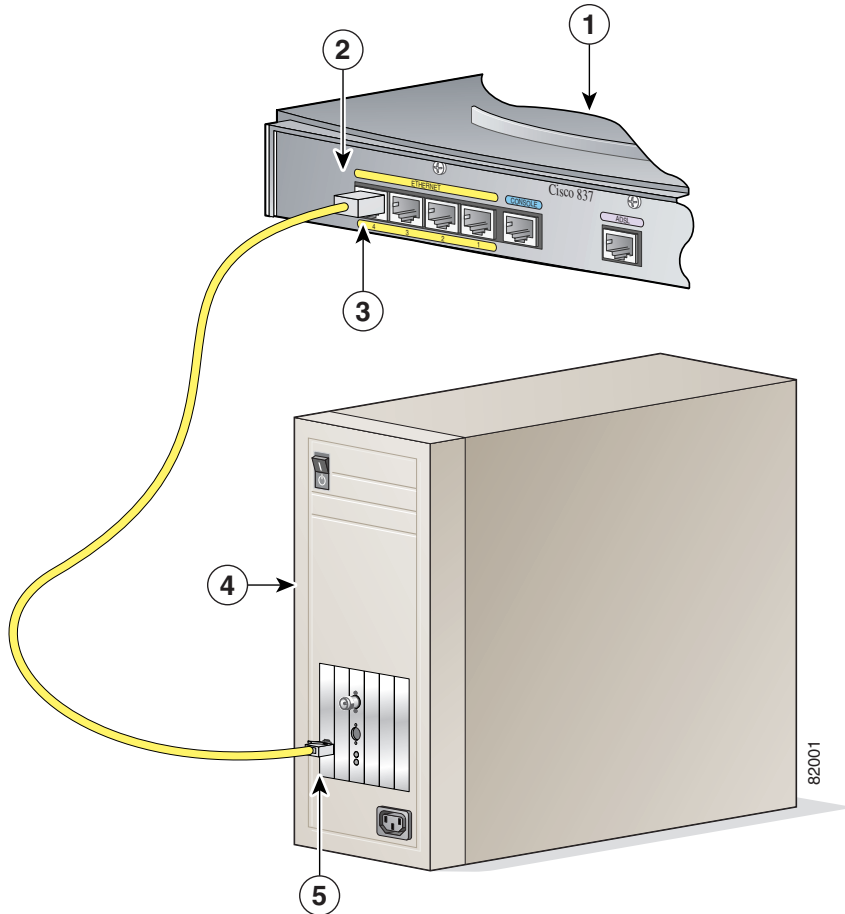
You can use a cable to connect an Ethernet device to the router's LAN port.

Connecting a Server, PC, or Workstation

Follow the steps given after [Figure 2-3](#) to connect the router to a PC with an Ethernet network interface card (NIC) installed, or to connect a server or workstation to the router. ([Figure 2-3](#) shows a Cisco 837 router, but it also applies to a SOHO 97 router. The procedure applies to both the Cisco 837 router and the SOHO 97 router.)

The Ethernet port on the Cisco 837 router and the SOHO 97 router supports the auto-crossover function, whose autosensing ability allows the router to connect automatically to the hub or PC.

Figure 2-3 Connecting a Server, PC, or Workstation to the Router



1	Cisco 837 router	4	PC
2	Yellow Ethernet cable	5	RJ-45 port on the network interface card (NIC)
3	Ethernet port 4		

Perform the following steps to connect the PC to Ethernet port 4 (or to port 1, 2, or 3) on the router:

-
- Step 1** Connect one end of the yellow Ethernet cable to Ethernet port 4 on the router.
- Step 2** Connect the other end of the yellow Ethernet cable to the RJ-45 port on the NIC of the PC, server, or workstation.
-

**Note**

Leave the PCs that you connect to the router turned off until after you complete router installation.

You can connect additional servers, PCs, or workstations to Ethernet ports 1, 2, and 3.

To verify the connection, check that the Ethernet 1 LED is on after you complete the router installation.

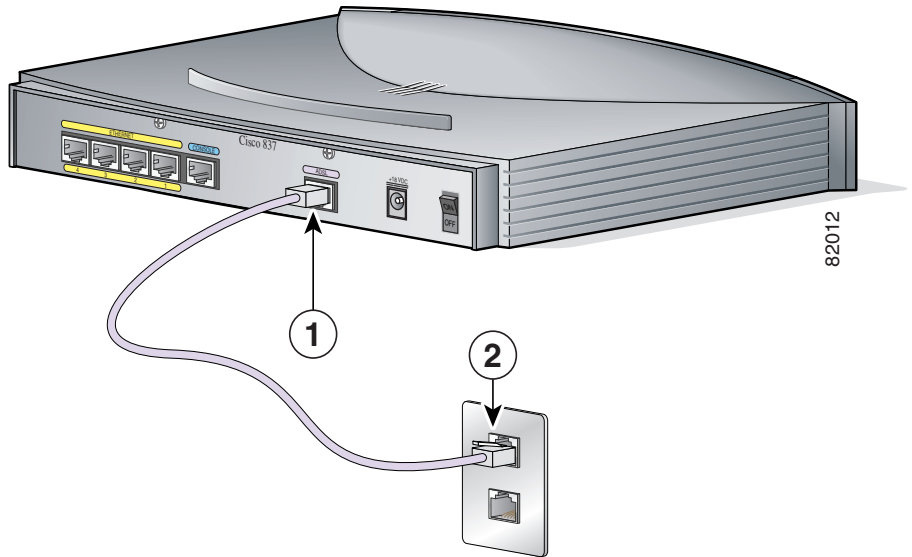
Connecting an ADSL Line

The procedure for connecting an ADSL line depends on the router and, in some cases, on the location. [Figure 2-4](#) shows how to connect the ADSL line to a cable wall jack. Follow the steps given after [Figure 2-4](#) to connect the ADSL line to a cable wall jack. ([Figure 2-4](#) depicts a Cisco 837 router, but it also applies to the SOHO 97 router. The connection procedure applies to both the Cisco 837 router and the SOHO 97 router.)

**Warning**

Do not work on the system or connect or disconnect cables during periods of lightning activity.

Figure 2-4 Connecting an ADSL Line to a Wall Jack



1	ADSL port	2	End of the RJ-11 cable that connects to the wall jack
----------	-----------	----------	---

Perform the following steps to connect the ADSL line to the router and a cable wall jack:

-
- Step 1** Connect one end of the ADSL cable line to the ADSL port on the router.
- Step 2** Connect the other end of the RJ-11 cable to the wall jack.
-

Connecting a Terminal or PC to the Router's Console Port (Optional)

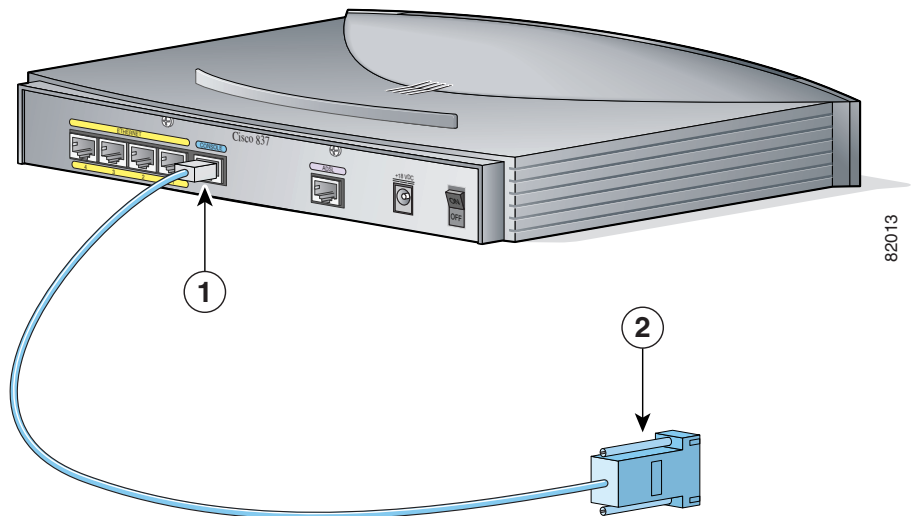
You can connect either a terminal or a PC to the router's console port. You can use the terminal or PC for configuring the software via the command-line interface (CLI) or for troubleshooting. To connect a terminal or PC, follow the steps given after [Figure 2-5](#). ([Figure 2-5](#) shows a Cisco 837, but it also applies to the SOHO 97 router. The connection procedure applies to both the Cisco 837 router and the SOHO 97 router.)



Note

Unless you are an experienced network administrator, it is recommended that you use the Cisco Router Web Setup software to configure the router. Use of this software is described in the [“Using Cisco Router Web Setup to Configure the Router”](#) section on page 2-21.

Figure 2-5 Connecting a Terminal or PC to the Router's Console Port



1	Console port on the router	2	DB-9 connector
----------	----------------------------	----------	----------------

Perform the following steps to connect the router's console port to a terminal or PC:

-
- Step 1** Connect the RJ-45 connector on one end of the light blue cable to the console port on the router.
- Step 2** Connect the DB-9 connector on the other end of the cable to the terminal or PC.
-

If you have experience configuring Cisco routers and prefer to use the CLI, refer to the *Cisco 800 Series Routers Software Configuration Guide* for instructions on configuring the router.

Connecting the AC Adapter

To connect the power supply, follow the steps given after [Figure 2-6](#). ([Figure 2-6](#) depicts a Cisco 837 router, but it also applies to the SOHO 97 router. The connection procedure applies to both the Cisco 837 router and the SOHO 97 router.)



Warning

The device is designed to work with TN power systems.



Warning

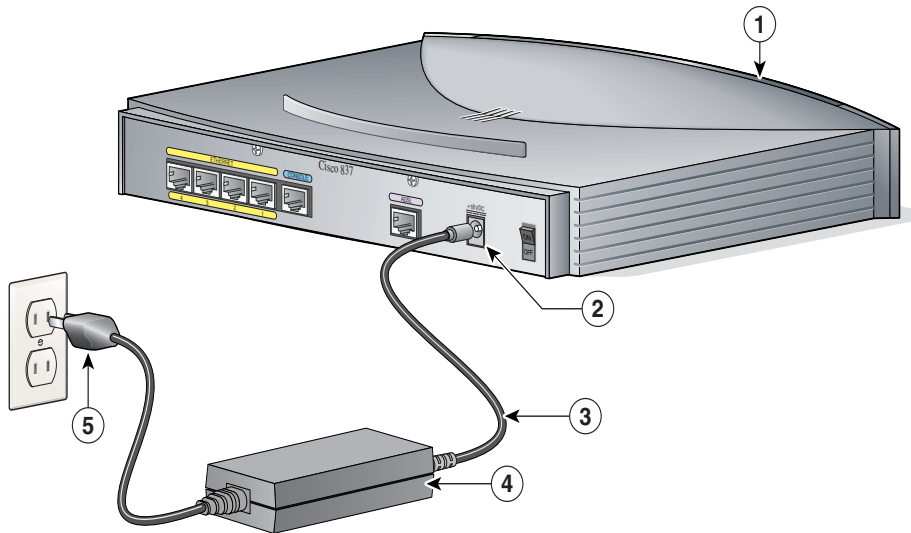
This product relies on the building's installation for short-circuit (overcurrent) protection. Ensure that a fuse or circuit breaker no larger than 120 VAC, 15A U.S. (240 VAC, 16A international) is used on the phase conductors (all current-carrying conductors).



Warning

This equipment is intended to be grounded. Ensure that the host is connected to earth ground during normal use.

Figure 2-6 Connecting the AC Adapter



1	Cisco 837 router	4	Desktop power supply
2	Router input jack	5	Power cord plug
3	Power cord		

Perform the following steps to connect the router to the AC adapter:

-
- Step 1** Connect one end the power supply cable to the router's input jack.
- Step 2** Connect the other end of the power supply cable to the desktop power adapter.
- Step 3** Plug the power cord of the desktop power adapter into an electrical outlet.
-

**Note**

Be sure to use the power supply that was shipped with your router. Although you may be able to connect another Cisco power supply to your router, that power supply may not provide all the features that are provided by the power supply that shipped with your router.

Connecting the Console Port to an Async Modem

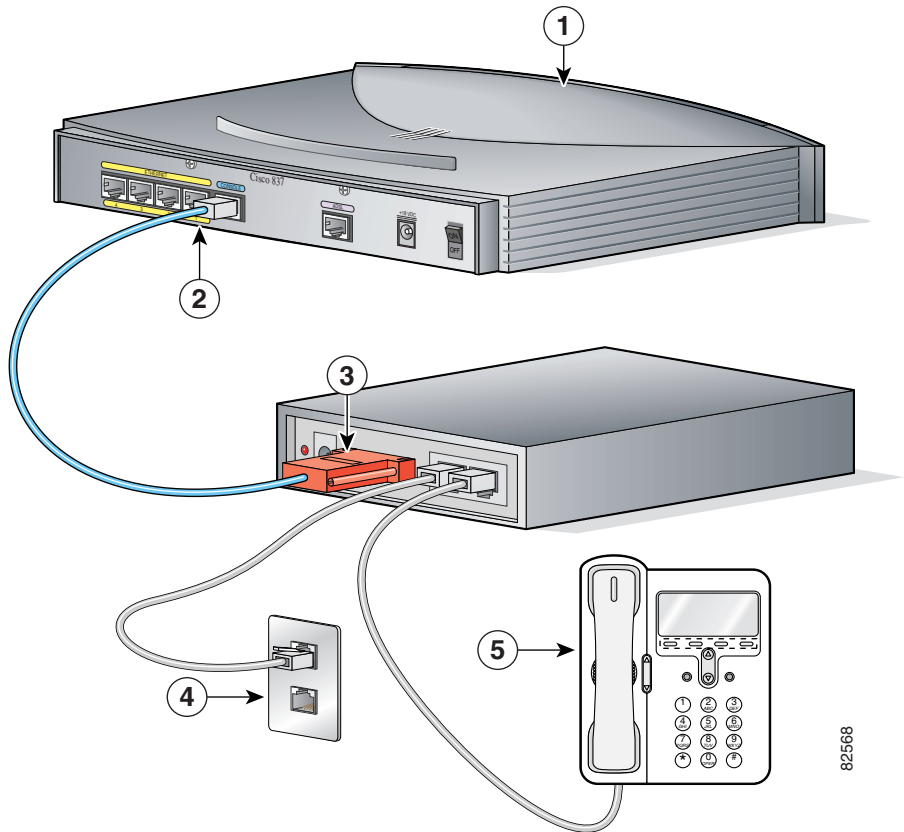
The Cisco 837 router is designed with the dial backup function, allowing you to connect an analog modem to the console port as a backup link to the WAN port in case the ADSL service goes down. The Cisco 837 router supports both the dial backup and remote management features; the SOHO 97 supports only the remote management function.

**Note**

To connect an analog modem to the console port, you will need an optional SOHO/800 Series Router Modem Cable. Contact your router vendor to order this cable.

To connect the Cisco 837 router's console port to an async modem, follow the steps given after [Figure 2-7](#). This procedure applies only to the Cisco 837 router.

Figure 2-7 Connecting the Console Port to an Async Modem



82568

1	Cisco 837 router	4	Wall jack
2	Console port	5	Telephone
3	Available port on an async modem		

Perform the following steps to connect the Cisco 837 router's console port to an async modem:

-
- Step 1** Connect the RJ-45 end of the SOHO/800 Series Router Modem Cable to the Cisco 837 router's console port.
 - Step 2** Connect the DB-25 connector at the other end of the SOHO/800 Series Router Modem Cable to an available port on the async modem.
 - Step 3** Connect one end of the RJ-11 cable to the wall jack.
 - Step 4** Connect the other end of the RJ-11 cable to the telephone line.
-

Using the Router LEDs to Check Links

Use the LEDs on the front of the router to check the links between the router and any attached Ethernet devices or telephones. See [Table 1-2 on page 1-6](#) to verify the link status of devices attached to Cisco 837 and SOHO 97 routers.

Configuring the Router

When you finish installing the router, you must configure the router software. First, check the PC configurations to ensure that all the connected PCs will be able to communicate with the router. Then configure the router software, using the web interface.

Checking the PC Configuration

Each PC that is connected to the router must be configured to use TCP/IP and to obtain its IP address automatically. Follow these steps to configure each PC that is running Microsoft Windows NT or Microsoft Windows 95 or 98. If the PC is running a different version of Microsoft Windows, refer to the documentation that came with the PC.

-
- Step 1** Start the PC, and open the Control Panel.

- Step 2** Click the **Network** icon to display the Network window.
- Step 3** Verify that TCP/IP has been added and associated with the Ethernet adapter. TCP/IP is shown as a cable icon in the Configuration window on Microsoft Windows 95 and 98; it is shown as a cable icon in the Protocol window on Microsoft Windows NT. If the icon is not visible, click **Add**, and add the Microsoft TCP/IP protocol.
- Step 4** To verify that the PC is configured to obtain an IP address automatically, click the TCP/IP cable icon, and select the **IP address** tab in the TCP/IP Properties window. Check **Obtain an IP address from a DHCP server** if it is not checked. The IP address and Subnet mask fields should be grayed out.
- Step 5** Click **OK** to accept all changes and exit this window. Then click **OK** in the Network window.
- Step 6** To reboot the PC, click **Yes** if you are prompted.
-

For more information on how to configure TCP/IP, refer to the *Cisco Router Web Setup Troubleshooting Guide*, which is available on Cisco.com.

Using Cisco Router Web Setup to Configure the Router

Cisco strongly recommends that inexperienced network administrators use the Cisco Router Web Setup application that has been installed on the router. To use this application, complete the following steps:

-
- Step 1** Start, or restart, one of the PCs connected to the router through Ethernet port 1, 2, 3, or 4.
- Step 2** Open a web browser. Make sure that your browser is set to work in online mode.
- In Internet Explorer, click the File menu, and verify that the work offline option is unchecked.
 - In Netscape, the default selection in the File menu is set to work online.
- Step 3** Enter the universal resource locator (URL) **http://10.10.10.1**. The CRWS home page will appear in one or two minutes.

**Tip**

If the CRWS home page does not appear when you enter the URL **http://10.10.10.1**, test the connection between the PC and the router by doing the following:

1. Check that the OK LED on the router is on, and check the cable connection between the router and the PC.
 2. If the CRWS home page still does not appear, verify that the web browser's "work offline" option is disabled.
 3. If the web page still does not appear, verify that the PC is automatically configured to receive an IP address. Follow the instructions in the *Cisco Router Web Setup Troubleshooting Guide*, which is available on Cisco.com.
 4. If the PC is configured to automatically receive an IP address, but the web page still does not appear, select **Start/Run**, type **winicfg** in the Run window, and examine the address in the IP address field. The address should be in the format 10.10.10.X, in which X is a number that is equal to or greater than 2; for example, 10.10.10.2, or 10.10.10.3. If the IP address is not in this format, verify that an Ethernet adapter name is visible in the Adapter field. If there is no name in the field, return to [Step 3](#) in the "[Checking the PC Configuration](#)" section on page 2-20, and add TCP to the list of protocols. Then return to the "[Using Cisco Router Web Setup to Configure the Router](#)" section on page 2-21, and complete the procedure.
-

- Step 4** If you have no special configuration requirements, click the **Router Setup** link on the home page, and then click **Easy Setup**. (This may appear as **Quick Setup**.) Then, enter the username and password provided to you by your Internet service provider, and click **Apply**.
- Step 5** If you need to configure special features such as Network Address Translation (NAT), click the appropriate links on the home page, and complete the configuration screens.
- Step 6** Click the **Password** link on the home page, and set a password for the router.
- Step 7** Click the **Test Connection** link on the home page, and allow the connection to be tested.

- Step 8** Select **Start/Run**, and type **windowsipcfg** in the Open field of the Run window. When the IP Config window appears, click **Release** to release the PC's IP address. Then click **Renew** to renew the PC's IP address.
- Alternatively, open the Run window and enter **ipconfig /release** to release the PC's IP address. Then enter **ipconfig /renew** to renew the IP address of the PC.
- Step 9** Open a web browser on the PC, and connect to a website.
-

The router installation is complete when you have connected to a website.

