



## CHAPTER 6

# Configuring the Channelized OC-12/T1 Optical Services Modules

---

This chapter describes how to configure the channelized OSM-1CHOC12/T1-SI SONET/SDH Optical Services Modules (OSMs).

The chapter consists of these sections:

- [Understanding the Channelized OC-12/T1 Optical Services Modules, page 6-1](#)
- [Configuring the Channelized OC-12/T1 OSMs, page 6-11](#)

## Understanding the Channelized OC-12/T1 Optical Services Modules

These sections describe the SONET/SDH mappings and multiplex hierarchy and the features supported on the channelized OSMs:

- [Channelized OC-12/T1 OSM Multiplexing and Mappings, page 6-1](#)
- [Channelized OC-12/T1 OSM Features, page 6-3](#)

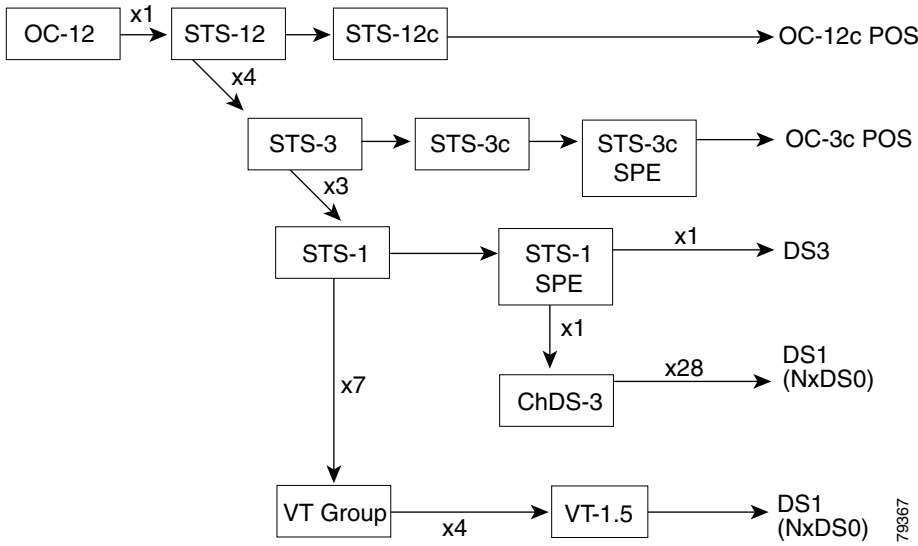
## Channelized OC-12/T1 OSM Multiplexing and Mappings

The 1-port OSM-CHOC12/T1-SI module supports provisioning of OC-12, OC-3, DS-3, subrate DS-3, E-3, E1, DS1 and DS0 links.

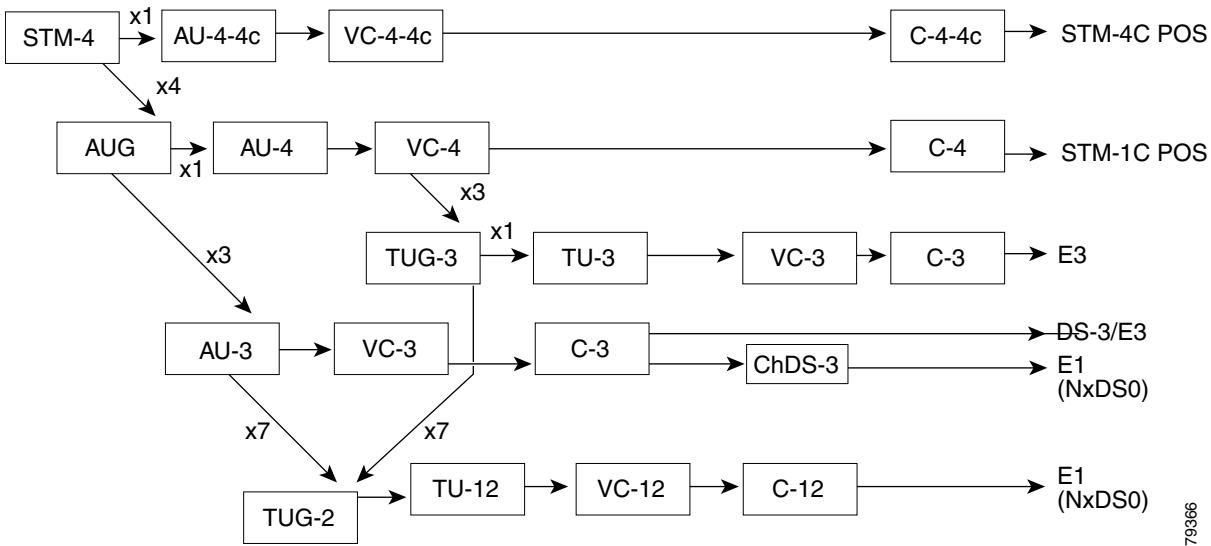
[Figure 6-1](#) illustrates the SONET multiplexing hierarchy supported on the OSM-1CHOC12/T1-SI module.

[Figure 6-2](#) illustrates the SDH multiplexing hierarchy supported on the OSM-1CHOC12/T1-SI module.

**Figure 6-1 Supported SONET Multiplexing Hierarchy on the Channelized OC-12/T1 OSMs**



**Figure 6-2 Supported SDH Multiplexing Hierarchy on the Channelized OC-12/T1 OSMs**



Each OC-12/STM-4 port of OSM-CHOC12/T1 can support any allowed combination of OC-3c/STM-1/DS3/DS1/E3/E1/T1s up to 1023 channels.

For example, each port can support the following:

- 4 OC-3c/STM-1 at 155.52 Mbps
- 12 DS3 at 44.7 Mbps
- 12 E3s at 34.368 Mbps
- 252 E1s at 2.048Mbps
- 336 DS1s at 1.5 Mbps
- 1023 DS0s at 64 Kbps

## Channelized OC-12/T1 OSM Features

The channelized 1-port OSM-CHOC12/T1-SI modules support the following standard Cisco IOS SONET/SDH features:

- [SONET Compliance, page 6-3](#)
- [Errors, Alarms, and Performance Monitoring, page 6-3](#)
- [WAN Protocols and Services, page 6-7](#)
- [SONET/SDH Failure Recovery Support, page 6-8](#)
- [MIB Support, page 6-8](#)
- [OC-12 POS Interface Configuration, page 6-8](#)
- [E3 Lines, page 6-8](#)
- [DS-3 Lines, page 6-9](#)
- [T1 Lines, page 6-9](#)
- [E1 Lines, page 6-10](#)
- [DS0 Lines, page 6-10](#)
- [Quality of Service Protocols, page 6-11](#)

### SONET Compliance

The OSM-CHOC12/T1 modules support 1+1 SONET Automatic Protection Switching (APS) and comply with ANSI T1.107DS1/DS-3 standards, ANSI T1.403 1998, G.703, G.704, AT&T 54014 (DS-3), 54016 (DS1).

### Errors, Alarms, and Performance Monitoring

These sections lists the supported errors, alarms, and performance monitoring features:

- [Regenerator Section Errors and Alarms, page 6-3](#)
- [Multiplex Section Errors and Alarms, page 6-4](#)
- [Administrative Unit Errors and Alarms, page 6-4](#)
- [Higher Order Path Errors and Alarms, page 6-4](#)
- [Lower-Order Path Errors and Alarms, page 6-4](#)
- [Section Errors and Alarms, page 6-4](#)
- [Line Errors and Alarms, page 6-5](#)
- [STS Path Errors and Alarms, page 6-5](#)
- [VT Path Errors and Alarms, page 6-5](#)
- [Additional Errors and Alarms, page 6-5](#)
- [Performance Monitoring, page 6-6](#)

#### Regenerator Section Errors and Alarms

- LOS

- LOF
- RS-TIM
- RS-BIP

### **Multiplex Section Errors and Alarms**

- MS-AIS
- MS-REI
- MS-RDI,
- MS-BIP

### **Administrative Unit Errors and Alarms**

- AU-AIS
- AU-LOP
- AU-BIP

### **Higher Order Path Errors and Alarms**

- HP-UNEQ
- HP-TIM
- HP-BIP
- HP-REI
- HP-RDI
- HP-PLM

### **Lower-Order Path Errors and Alarms**

- TU-LOP
- TU-NDP
- TU-AIS
- TU-LOM
- BIP-2/B3
- LP-UNEQ
- LP-RDI
- LP-REI
- LP-RFI
- LP-TIM
- LP-PLM

### **Section Errors and Alarms**

- LOS
- LOF

- TIM-S
- BIP-S

### Line Errors and Alarms

- AIS-L
- REI-L
- RDI-L
- BIP-L

### STS Path Errors and Alarms

- AIS-P
- LOP-P
- UNEQ-P
- TIM-P
- REI-P
- RDI-P
- LOM
- BIP-P
- CV-P
- PLM-P

### VT Path Errors and Alarms

- LOP-V
- NDF-V
- AIS-V
- CV-V
- UNEQ-V
- RDI-V
- REI-V
- RFI-V
- TIM-V
- PLM-V

### Additional Errors and Alarms

- Signal Failure Bit Error Rate (SF-ber)
- Signal Degrade Bit Error Rate (SD-ber)
- Path Trace Byte (J1)
- Error Counts for B1

- Error Counts for B2
- Error Counts for B3
- Threshold Crossing Alarms (TCA) for B1
- Threshold Crossing Alarms (TCA) for B2
- Threshold Crossing Alarms (TCA) for B3

## Performance Monitoring

The following SDH performance monitoring PMON data are collected for Regeneration Section, Multiplex Section, Path Section and Tributary Path Section:

- Errored Seconds (ES)
- Severely Errored Seconds (SES)
- Unavailable Seconds (UA)
- Code Violations

The following SONET PMON data are collected:

- Received path, section, and line BIP-8 error counts
- Received path remote error indication (REIs)
- Accumulated B2 errors and line remote errors (M1)

The following performance monitoring (PMON) data are collected for DS1/E1 Near End PMON:

- Line Errored Seconds (LES)
- Controlled Slip Seconds (CSS)
- Errored Seconds (ES)
- Bursty Errored Seconds (BES)
- Severely Errored Seconds (SES)
- Severely Errored Framing Seconds (SEFS)
- Degraded Minutes (DM)
- Unavailable Seconds (UAS)
- Path Coding Violation (PCV)
- Controlled Slip (CS)
- Line Coding Violation (LCV) is not applicable

The following PMON data are collected for DS1/E1 Far End PMON:

- Line Errored Seconds (LES)
- Controlled Slip Seconds (CSS)
- Errored Seconds (ES)
- Bursty Errored Seconds (BES)
- Severely Errored Seconds (SES)
- Severely Errored Framing Seconds (SEFS)
- Degraded Minutes (DM)
- Unavailable Seconds (UAS)

- Path Coding Violation (PCV)
- Controlled Slip (CS)

The following PMON data are collected for DS-3 Near End PMON:

- P-Bit Coding Violation (PCV)
- C-Bit Coding Violation (CCV)
- Line Errored Seconds (LES)
- P-Bit Errored Seconds (PES)
- P-Bit Severely Errored Seconds (PSES)
- C-Bit Errored Seconds (CES)
- C-Bit Severely Errored Seconds (CSES)
- Severely Errored Framing Seconds (SEFS)
- Unavailable Seconds (UAS)

The following PMON data are collected for E3 PMON:

- Line Errored Seconds (LES)
- Severely Errored Framing Seconds (SEFS)
- Unavailable Seconds (UAS)

## WAN Protocols and Services

This section lists the supported WAN protocols and services:

- Point-to-Point Protocol (PPP) IETF RFC 1661
- Distributed Multilink PPP (dMLP)

The OSM-CHOC12/T1 modules support dMLP, which means that the MLP encapsulation is performed on the module rather than the route processor. The following dMLP features are supported:

- 168 bundles per port
- A maximum of 12 DS1/E1 channels per bundle
- All links in a bundle should operate at the same speed (fractional E1 and T1 links are not supported)
- 100 ms of differential delay
- Transmit fragment size can be 256 or 512 bytes

For dMLP overview and configuration information, see the [“Configuring Distributed MLPPP” section on page 7-11 in Chapter 7, “Configuring the Channelized 12-port CT3/T1 Optical Services Modules.”](#)

- HDLC (IETF RFC 1662)
- PPP over SONET with 1+x<sup>43</sup> Self-Synchronous Payload Scrambling
- Frame Relay
  - For information on Frame Relay support on the OSM-CHOC12/T1 modules modules, see the [“Configuring Frame Relay and Frame Relay Traffic Shaping” section on page 5-14 in Chapter 5, “Configuring the Channelized OC-12/T3 SONET/SDH Optical Services Modules.”](#)
- MPLS/VPN

For MPLS/VPN configuration information, see [Chapter 11, “Configuring Multiprotocol Label Switching on the Optical Services Modules.”](#)

## SONET/SDH Failure Recovery Support

- Cisco Protection Group Protocol over UDP/IP (Port 172) for APS and MSP

For APS overview and configuration information, see the [“Configuring Automatic Protection Switching” section on page 5-13 in Chapter 5, “Configuring the Channelized OC-12/T3 SONET/SDH Optical Services Modules.”](#)

## MIB Support

This section lists the supported SNMP MIBs:

- Performance Statistics for Timed Intervals (RFC 1595)
- SONET/SDH MIB (RFC 1595)
- DS-3/E3 MIB (RFC 1407)
- DS1/E1 MIB (RFC1406)
- IF-MIB (RFC1573)
- OLD-CISCO-CHASSIS-MIB
- SNMP v2c (RFC1901-1907)
- SNMP v3
- Other standard MIBs are supported by the Cisco IOS software, including industry standard and Cisco proprietary MIBs.

## OC-12 POS Interface Configuration

The OSM-CHOC12/T1 modules support the following features:

- Sonet or SDH framing mode
- Internal or line clock source
- APS 1:1 Protection Switching
- Network or local loopback
- Single Mode, Short/Intermediate Range (SM-IR) LC SFF (Small Form Factor) optics

## E3 Lines

This section lists the supported E3 Ofeatures:

- Unchannelized E3
- G.751 E3 framing
- E3 transmit clock is synchronized to the internal Telcom Bus clock
- BERT pattern generation and detection (only two E3s can be tested simultaneously)
- Local and line loopback
- RFC 1407 MIB support



**Note**

When you connect an E3 interface to a Digital Link DL3100E E3 access multiplexer DSU, you must use the "clear channel" mode on the Digital Link DSU. When you connect an E3 interface to a Cisco 12000 Series 12-Port packet over E3 line card, you must configure **dsu mode kentrox** on the Cisco 12000 Series 12-Port packet over E3 line card. When you connect an E3 interface to a Cisco C7500 or a Cisco C7200 E3 port adaptor (PA), you must configure **dsu mode 1** on the E3 interface on the E3 PA.

## DS-3 Lines

This section lists the supported DS-3 features:

- Framing control can be C-bit, M23, or auto-detect
- Channelized mode can be T1 or E1 depending on SONET or SDH framing.
- Local (internal) clocking mode
- Loopback modes can be network, local, or remote.
- Generation and termination of DS-3 maintenance data link (MDL) in C-bit framing.
- For supported errors, alarms, and performance monitoring, see the [“Errors, Alarms, and Performance Monitoring”](#) section on page 6-3.
- DSU Mode

The following DSU modes are supported:

- Digital Link
- Verilink
- Adtran
- Larscom
- Kentrox

## T1 Lines

The T1 lines support the following:

- Local, line, and remote loopback.
- DS-1 facilities data link (FDL) in Extended Super Frame (ESF) framing
- Bit error rate testing (BERT) is supported on each of the T1 lines. It can be done over a framed or unframed DS-1 signal. The OSM-CHOC12/T1 modules allow a maximum of 6 simultaneous T1 BER tests in each group of 84 T1 lines associated with three contiguous STS-1s. Thus there may be up to 6 active T1 BER tests in an OC-3 port or 24 active T1 BER tests in an OC-12 port.



**Note** BERT channel-groups and timeslots are also supported for both SDH and SONET.

- In the channelized mode of operation, an OC-12/T1 OSM port can be channelized into a maximum of 336 T1 lines. Each of the T1 lines contains 24 timeslots or 64 or 56 kbps each. The T1 lines can support one or more user data channels, which appear to the system as serial interfaces. You can group the timeslots into individual logical channel groups, each of which may carry data with different data link layer protocol encapsulations. You are limited to a total of 1024 logical channel groups per port.

- Each logical channel group can be composed of individual 64-kbps or 56-kbps timeslots and ranges of timeslots, for example, 1, 9, 12-14. Each logical channel group can contain from 1-24 timeslots maximum; the same timeslot cannot be used in more than one logical channel group. Any unused timeslots are filled with programmable idle-channel data.




---

**Note** If you assign only one channel group to an T1 line, it is a fractional T1 line. If you assign more than one channel group to an T1 line, it is a channelized T1 line.

---

## E1 Lines

The E1 lines support the following:

- Local, line, and remote loopback.
- Any of the E1 lines can be configured as either E1 frames or E1 cyclic redundancy check (CRC) multiframes, as specified by CCITT/ITU G.704 and G.706.
- Bit error rate testing (BERT) is supported on each of the E1 lines. It can be done over a framed or unframed E1 signal. The OSM-CHOC12/T1 modules allow up to 6 simultaneous E1 BER tests in each group of 63 E1 lines associated with each STM-1 port and 24 simultaneous E1 tests per STM-4 port.




---

**Note** BERT channel-groups and timeslots are also supported for both SDH and SONET.

---

- Channelized E1—Any of the E1 lines can be configured as channelized E1 lines, but you are limited to a total of 1023 logical channels. You can group the time slots in these E1 lines into several individual logical channel groups, each of which carries data with different data link layer protocol encapsulations.
- Each logical channel group can be composed of individual 64-kbps or 56-kbps timeslots and ranges of timeslots, for example, 1, 9, 12-14. Each logical channel group can contain from 1-31 timeslots maximum; the same timeslot cannot be used in more than one logical channel group. Any unused timeslots are filled with programmable idle-channel data.
- Fractional E1— A fractional E1 line is a subset of the full E1 bandwidth, which uses  $n \times 64$  kbps; where  $n$  is a timeslot in the range of 1-31.

Fractional E1 lines contain only a single logical channel group that can be either a single 64-kbps timeslot or a range of timeslots; for example timeslot 1, or timeslots 15-23. Any unused timeslots are filled with programmable idle-channel data.




---

**Note** If you assign only one channel group to an E1 line, it is a fractional E1 line. If you assign more than one channel group to an E1 line, it is a channelized E1 line.

---

- Unframed E1—Any of the E1 lines can be configured as unframed E1 data lines. Each unframed E1 line contains no framing overhead and is not timeslot divided.

## DS0 Lines

T1 and E1 lines can be channelized down to DS0/64kbps or DS0/56kbps. See the [“Configuring the T1 Lines” section on page 6-17](#) for configuration information.

## Quality of Service Protocols

The following QoS features are supported on the Channelized OSMs:

- Hierarchical traffic shaping for Frame Relay, HDLC, and PPP encapsulations.
- PFC2 QoS on the LAN and WAN ports.
- Differentiated Services Control Point (DSCP)
- IP Precedence classification

Configure class-based marking as described in the *Class-Based Marking Feature Module* at this URL:

<http://www.cisco.com/univercd/cc/td/doc/product/software/ios121/121newft/121t/121t5/cbpmark2.htm>

- Classification and priority marking based on the following:
  - Ethertype
  - IP Source Address (SA)
  - IP Destination Address (DA)
  - TCP port number
  - UDP port number
  - IP SA + TCP/UDP port number + IP DA + TCP/UDP port number
- Weighted Random Early Detection (WRED)
- Class-based weighted fair queuing (CBWFQ) on the WAN ports.
- Low latency queuing (LLQ) on the WAN ports.

For information on configuring QoS on the OSMs, refer to [Chapter 9, “Configuring QoS on the Optical Services Modules.”](#)

For general information on classification, marking, and queuing in IOS, refer to the “Classification” chapter of the *Cisco IOS Quality of Service Solutions Configuration Guide*, Release 12.1 at this URL:

[http://www.cisco.com/univercd/cc/td/doc/product/software/ios121/121cgcr/qos\\_c/index.htm](http://www.cisco.com/univercd/cc/td/doc/product/software/ios121/121cgcr/qos_c/index.htm)

For information about platform-independent IOS QoS commands, refer to the *Cisco IOS Quality of Service Solutions Command Reference*, Release 12.1 at this URL:

[http://www.cisco.com/univercd/cc/td/doc/product/software/ios121/121cgcr/qos\\_r/index.htm](http://www.cisco.com/univercd/cc/td/doc/product/software/ios121/121cgcr/qos_r/index.htm)

## Configuring the Channelized OC-12/T1 OSMs

This chapter includes these sections:

- [Configuring the SONET Controller, page 6-12](#)
- [Configuring STS-1 Path Attributes under SONET Framing, page 6-13](#)
- [Configuring the POS Interface, page 6-14](#)
- [Configuring T3 Links Under SONET Framing, page 6-14](#)
- [Configuring CT3 Links Under SONET Framing, page 6-16](#)
- [Configuring VT-15 Links Under SONET Framing, page 6-17](#)

- [Configuring Interfaces Using SDH Framing with AU-3 Mapping, page 6-18](#)
- [Configuring Interfaces Using SDH Framing with AU-4 Mapping, page 6-20](#)

## Configuring the SONET Controller

To configure the SONET controller, perform this task:

	Command	Purpose
Step 1	Router# <b>configure terminal</b>	Enters configuration mode and specifies that the console terminal is the source of the configuration subcommands.
Step 2	Router(config)# <b>controller sonet slot/port</b>	Selects a port and enters controller configuration mode.
Step 3	Router(config-controller)# [ <b>no</b> ] <b>framing {sonet   sdh}</b>	Configures the framing mode to SONET or SDH. SDH is the ITU standards equivalent of SONET. SONET is the default.
Step 4	Router(config-controller)# [ <b>no</b> ] <b>channelized</b>	Configures the link for channelization or clear channel POS. The <b>no channelized</b> command configures the link for clear channel OC-12 POS. The <b>channelized</b> command unprovisions the OC-12 POS clear channel.
Step 5	Router(config-controller)# <b>sts-1 {1-12} interface type</b>	Provisions the channels for serial or POS interface.
Step 6	Router(config-controller)# <b>clock source {internal   line   common [internal   primary   secondary]}</b>	Configures the clock source used by the SONET controller. <ul style="list-style-type: none"> <li>• <b>internal</b>—sets sonet port to internal clock</li> <li>• <b>line</b>—sets sonet port to line (network) clock</li> <li>• <b>common internal</b>—sets internal clock for common telcom bus</li> <li>• <b>common primary</b>—sets port as primary source for common telcom bus</li> <li>• <b>common secondary</b>—sets port as secondary source for common telcom bus</li> </ul> The network clocking source is the default.
Step 7	Router(config-controller)# [ <b>no</b> ] <b>loopback {local   network}</b>	Enables or disables loopback mode on a SONET controller. <ul style="list-style-type: none"> <li>• <b>local</b>—Sets the loopback after going through the framer toward the terminal.</li> <li>• <b>network</b>—Data is looped from the external port to the transmit port and back out the external port.</li> </ul> No loopback enabled is the default.

	Command	Purpose
Step 8	Router(config-controller)# <b>alarm-report</b> { <b>all</b>   <b>b1-tca</b>   <b>b2-tca</b>   <b>b3-tca</b>   <b>lais</b>   <b>lrldi</b>   <b>plop</b>   <b>pplm</b>   <b>prdi</b>   <b>ptim</b>   <b>puneq</b>   <b>sd-ber</b>   <b>sf-ber</b>   <b>slof</b>   <b>slos</b> }	Optional) Enables alarm reporting.
Step 9	Router(config-controller)# <b>threshold</b> { <b>b1-tca</b> <i>value</i>   <b>b2-tca</b> <i>value</i>   <b>b3-tca</b> <i>value</i>   <b>sd-ber</b> <i>value</i>   <b>sf-ber</b> <i>value</i> }	(Optional) Sets BER threshold values.
Step 10	Router(config-controller)# <b>ais-shut</b>	(Optional) Specifies an Alarm Indication Signal (AIS) to be sent when a POS interface is shut down.
Step 11	Router(config-controller)# <b>overhead</b> [ <b>j0</b> { <i>0-255</i>   <b>expect</b> <i>0-255</i> }   <b>s1s0</b> { <i>0-3</i>   <b>ignore</b> }]	(Optional) Sets the overhead bytes. <b>j0</b> —sets the j0 overhead bytes to transmit a number between 0 to 255 or to expect to receive a number between 0 to 255. <b>s1s0</b> —sets the s1s0 bits of H1 to a number between 0-3 or to ignore the s1s0 overhead bit.
Step 12	Router(config-controller)# [ <b>no</b> ] <b>description</b> <i>string</i>	(Optional) Specifies up to 80 characters of text describing the SONET controller. No description is the default.

**Note**

The **clock source** [**internal** | **line**] commands set the OC-12 or OC-3 port's SONET transmit clock source to either a local on-board Stratum-3 oscillator or to the port's received line clock. The **clock source common** [**internal** | **primary** | **secondary**] commands set the clock source for a telcom bus that interconnects logic inside the board. The **internal** command option sets the bus clock to the local Stratum-3 oscillator. The **primary** and **secondary** command options set the bus clock to the port's received line clock. One port will be set to primary and the other port set to secondary. As long as the primary port does not experience a loss of signal (LOS), its received line clock will be the telcom bus clock source. If the primary port experiences a LOS, the telcom bus clock is switched to the secondary port. The clock source switches back to the primary port when it recovers from the LOS. If no secondary port has been defined, or if both ports have a LOS, then the bus clock source switches to the local Stratum-3 oscillator until the LOS condition is cleared. To avoid pointer adjustments on a port, its transmit clock should be from the same source as the common clock, that is, **clock source internal** and **clock source common internal** or **clock source line** and **clock source common primary**.

## Configuring STS-1 Path Attributes under SONET Framing

To enter STS-1 path configuration mode to configure an STS-1 path under SONET framing, perform the following task:

	Command	Purpose
Step 1	Router(config)# <b>controller sonet</b> <i>slot/port</i>	Selects a port and enters controller configuration mode.
Step 2	Router(config-controller)# [ <b>no</b> ] <b>framing</b> { <b>sonet</b>   <b>sdh</b> }	Configures the framing mode to SONET or SDH. SDH is the ITU standards equivalent of SONET. SONET is the default.

	Command	Purpose
Step 3	Router(config-controller)# <b>sts-1</b> {number / number range <b>POS</b> }	Enters STS-1 path configuration mode. Use the number range option is for OC-3 POS link configuration.
Step 4	Router(config-ctrlr-sts1)# [ <b>no</b> ] <b>mode</b> { <b>ct3</b>   <b>t3</b>   <b>vt-15</b> }	Specifies the mode of operation for the STS-1. Use the <b>no mode ct3   t3</b> command to unprovision sts-1 links configured for these modes.

When you select **ct3**, the specified STS-1 will carry a DS3 signal divided into 28 T1s (multiplexed asynchronously). When you select **t3**, the specified STS-1 will carry an unchannelized T3 signal. When you select **vt-15**, the specified STS-1 is divided into seven virtual tributary groups (VTGs). Each of those VTGs is then divided into four VT1.5s, each carrying one T1. To configure the T1 lines, use the STS-1 path configuration commands described in the “[Configuring the T1 Lines](#)” section on page 6-17.

The example that follows selects **vt-15** as the STS-1 mode of operation:

```
Router(config)# controller sonet 6/1
Router(config-controller)# framing sonet
Router(config-controller)# sts-1 3
Router(config-ctrlr-sts1)# mode vt-15
```

## Configuring the POS Interface

After you have configured a POS link from the controller level, you can configure the POS interface. The configuration below is basic, and you may need to specify additional interface parameters depending on your network requirements.

To configure the POS interface, perform this task:

	Command	Purpose
Step 1	Router# <b>configure terminal</b>	Enters configuration mode and specifies that the console terminal is the source of the configuration subcommands.
Step 2	Router(config)# <b>interface POS</b> slot/port:channel#	Specifies the serial port and channel to configure.
Step 3	Router(config-if)# <b>encapsulation</b> <b>hdlc</b>   <b>ppp</b>	Specifies the encapsulation type.
Step 4	Router(config-if)# <b>pos flag j1</b> { <b>expect message</b> message-string   <b>length 16-64</b>   <b>message</b> message-string}	(Optional) Specifies a path message for a channelized interface.
Step 5	Router(config-if)# <b>ip address</b> ip-address mask [ <b>secondary</b> ]	Assigns an IP address and subnet mask to the interface.
Step 6	Router(config-if)# <b>no shutdown</b>	Enables the interface.

## Configuring T3 Links Under SONET Framing

To select T3 as the STS-1 mode of OSMs, Channelized OC-12/T1 configuration: operation before you can configure the T3 links, perform this task:

	Command	Purpose
<b>Step 1</b>	Router(config-controller)# [no] framing sonet	Configures the framing mode to SONET.
<b>Step 2</b>	Router(config-controller)# sts-1 number	Enters STS-1 path configuration mode
<b>Step 3</b>	Router(config-crtlr-sts1)# [no] mode t3	Specifies T3 as the mode of operation for the STS-1
<b>Step 4</b>	Router(config-crtlr-sts1)# t3 framing [auto-detect   c-bit   m23]	Specifies the framing type for the T3 link. Use the <b>no</b> version of the command to unprovision the link.
<b>Step 5</b>	Router(config-crtlr-sts1)# t3 loopback {local   network   remote   line   payload}	(Optional) Sets the loopback mode.

```
Router(config)# controller sonet 6/1
Router(config-controller)# framing sonet
Router(config-controller)# sts-1 3
Router(config-ctrlr-sts1)# mode t3
Router(config-ctrlr-sts1)# t3 framing auto-detect
Router(config-ctrlr-sts1)# t3 loopback network line
```

## Configuring the Unchannelized and Subrate DS-3 Serial Interface

After you verify the controller configuration, you can configure the associated DS-3 interfaces on the controller.

To configure the unchannelized or subrate DS-3 serial interfaces, perform this task:

	Command	Purpose
<b>Step 1</b>	Router# configure terminal	Enters configuration mode and specifies that the console terminal is the source of the configuration subcommands.
<b>Step 2</b>	Router(config)# interface serial slot/port	Specifies the serial port to configure.
<b>Step 3</b>	Router(config-if)# framing {c-bit   m23}	Specifies the framing.
<b>Step 4</b>	Router(config-if)# [no] dsu bandwidth Kilobits/sec	Sets the DSU subrate bandwidth.
<b>Step 5</b>	Router(config-if)# encapsulation hdlc   ppp	Specifies the encapsulation type.
<b>Step 6</b>	Router(config-if)# [no] loopback {local   network   remote   line   payload}	(Optional) Sets the loopback mode. Default is <b>no loopback</b> .
<b>Step 7</b>	Router(config-if)# [no] bert pattern [2^11   2^15   2^20 0.153   2^20 QRSS   2^23   0s   1s   alt-0-1] interval [1-1440]	(Optional) Configures bit-error-rate (BER) testing.
<b>Step 8</b>	Router(config-if)# [no] mdl string {eic   fic   generator   lic   pfi   port   unit}	(Optional) Specifies the maintenance data link (MDL) messages. <b>eic</b> —equipment ID code <b>fic</b> —frame ID code <b>generator</b> —generator number in MDL test signal <b>lic</b> —location ID code <b>pfi</b> —facility ID code in MDL path message <b>port</b> —port number in MDL idle string message <b>unit</b> —unide code Default is <b>no mdl string</b> .

	Command	Purpose
Step 9	Router(config-if)# [no] <b>mdl transmit</b> { <i>path</i>   <i>idle-signal</i>   <i>test-signal</i> }	Enables MDL message transmission. Default is <b>no mdl transmit</b> .
Step 10	Router(config-if)# [no] <b>cablelength</b> <i>feet</i>	Specifies the cable length. Default is 224.
Step 11	Router(config-if)# <b>ip address</b> <i>ip-address mask</i> [ <i>secondary</i> ]	Assigns an IP address and subnet mask to the interface.
Step 12	Router(config-if)# [no] <b>keepalive</b>	Turns on and off keepalive messages.
Step 13	Router(config-if)# <b>no shutdown</b>	Enables the interface.

This is an example of an unchannelized DS-3 interface configuration:

```
Router# configure terminal
Enter configuration commands, one per line. End with CNTL/Z.
Router(config)# controller sonet 3/0
Router (config-controller)# exit
Router (config)# interface serial 1/0
Router (config-if)# dsu bandwidth 16000
Router (config-if)# encapsulation frame-relay
Router (config-if)# ip address 10.10.10.10.255.255.255.255
Router (config-if)# no shutdown
Router (config-if)# exit
Router (config)#
```

## Configuring CT3 Links Under SONET Framing

To select **ct3** as the STS-1 mode of operation before you can configure the DS-3 lin, perform this task:

	Command	Purpose
Step 1	Router(config-controller)# [no] <b>framing sonet</b>	Configures the framing mode to SONET.
Step 2	Router(config-controller)# <b>sts-1</b> <i>number</i>	Enters STS-1 path configuration mode
Step 3	Router(config-crtlr-sts1)# [no] <b>mode ct3</b>	Specifies the mode of operation for the STS-1. Use the <b>no</b> version of the command to unprovision the link.
Step 4	Router(config-crtlr-sts1)# <b>t3 framing</b> [ <i>auto-detect</i>   <i>c-bit</i>   <i>m23</i> ]	Specifies the framing type for the T3 link.
Step 5	Router(config-crtlr-sts1)# <b>t3 loopback</b> { <i>local</i>   <i>network</i>   <i>remote</i> { <i>line</i>   <i>payload</i> }}	(Optional) Sets the loopback mode.

```
Router (config)# controller sonet 6/1
Router (config-controller)# framing sonet
Router (config-controller)# sts-1 3
Router (config-ctrlr-sts1)# mode ct3
Router (config-ctrlr-sts1)# t3 framing auto-detect
Router (config-ctrlr-sts1)# t3 loopback network line
```



## Configuring the T1 Lines

After you have selected **ct3** as the STS-1 mode of operation, you can configure the T1 link using the following steps:

	Command	Purpose
Step 1	Router# <b>configure terminal</b>	Enters configuration mode and specifies that the console terminal is the source of the configuration subcommands.
Step 2	Router(config)# <b>controller slot/port</b>	Selects the controller.
Step 3	Router (config-controller)# <b>framing sonet</b>	Configures the framing mode to SONET.
Step 4	Router(config-controller)# <b>sts-1 number</b>	Enters STS-1 path configuration mode
Step 5	Router(config-crtlr-sts1)# <b>[no] mode ct3</b>	Specifies the mode of operation for the STS-1. Use the <b>no</b> version of the command to unprovision the link.
Step 6	Router (config-crtlr-sts1)# <b>[no] t1 number clock source {internal   line}</b>	Defines clock source for the specified T1 line.
Step 1	Router(config-crtlr-sts1)# <b>t1 t1-line-number channel-group channel-group-number timeslots list-of-timeslots [speed {56   64}]</b>	Creates a logical channel group on a T1 line
Step 2	Router(config-crtlr-sts1)# <b>t1 t1-line-number framing {esf   sf [hdlc-idle {0x7E   0xFF}]}</b>	Specifies the T1 framing format.
Step 3	Router(config)# <b>[no] interface serial slot/port.sts1 number/T1 number: channel-group number</b>	Selects the interface and configures the channel group.

The following example configures 4 T1s for CT3 operation:

```
Router(config-crtlr-sts1)# t1 1 channel-group 0 timeslots 1-24
Router(config-crtlr-sts1)# t1 1 framing esf
Router(config-crtlr-sts1)# t1 1 clock source line
Router(config-crtlr-sts1)# exit
```

## Configuring VT-15 Links Under SONET Framing

To select **vt-15** as the STS-1 mode of operation before you can configure the T1 links, perform this task:

	Command	Purpose
Step 1	Router(config-controller)# <b>[no] framing sonet</b>	Configures the framing mode to SONET.
Step 2	Router(config-controller)# <b>sts-1 number</b>	Enters STS-1 path configuration mode
Step 3	Router(config-crtlr-sts1)# <b>mode vt-15</b>	Specifies VT-15 as the STS-1 mode of operation.
Step 4	Router(config-ctrlr-sts1)# <b>#vtg 1 t1 1 bert channel-group 0 pattern 2^11 interval 1</b>	(Optional) Configures bit error rate testing on channel-group 0 (all timeslots under channel group 0).
Step 5	Router(config-ctrlr-sts1)# <b>#vtg 1 t1 1 bert timeslots 21,24 pattern 2^11 interval 1</b>	(Optional) Configures bit error rate testing on timeslots 21 and 24 only.

This example shows BERT timeslots:

**show controller t3 - t1 section**

Shows the timeslots that the bert is running/finished

```
T1 1 is up
timeslots: 1-24
FDL per AT&T 54016 spec.
No alarms detected.
Framing is ESF, Clock Source is Internal
BERT done on timeslots 1,2,3,4,5,6,7,8,9,10<-----Timeslots shown.
BERT test result (done)
  Test Pattern : 2^11, Status : Not Sync, Sync Detected : 1
  Interval : 1 minute(s), Time Remain : 0 minute(s)
  Bit Errors (since BERT started): 0 bits,
  Bits Received (since BERT started): 85 Mbits
  Bit Errors (since last sync): 0 bits
  Bits Received (since last sync): 85 Mbits
```

## Configuring the T1 Links in VT-1.5 Mapping

To configure the T1 links under VT-15 mapping, perform this task:

	Command	Purpose
Step 1	Router(config-crtlr-sts1)# <b>vtg</b> <i>vtg-number</i> <b>t1</b> <i>t1-line-number</i> <b>channel-group</b> <i>channel-group-number</i> <b>timeslots</b> <i>list-of-timeslots</i> [ <b>speed</b> {56   64}]	Creates a logical channel group on a T1 line
Step 2	Router(config-crtlr-sts1)# <b>vtg</b> <i>vtg-number</i> <b>t1</b> <i>t1-line-number</i> <b>framing</b> { <b>esf</b>   <b>sf</b> [ <b>hdlc-idle</b> {0x7E   0xFF}]}	Specifies the T1 framing format.
Step 3	Router(config-crtlr-sts1)# [ <b>no</b> ] <b>vtg</b> <i>vtg-number</i> <b>t1</b> <i>t1-line-number</i> <b>clock</b> <b>source</b> { <b>internal</b>   <b>line</b> }	Sets the internal or line (network) clock source. Use the <b>no</b> version of the command to unprovision the link.

The following example configures 4 T1s for VT1.5 operation:

```
Router(config-crtlr-sts1)# vtg 1 t1 1 channel-group 0 timeslots 1-24
Router(config-crtlr-sts1)# vtg 1 t1 1 framing esf
Router(config-crtlr-sts1)# vtg 1 t1 1 clock source line
Router(config-crtlr-sts1)# exit
```

## Configuring Interfaces Using SDH Framing with AU-3 Mapping

This section describes how to enable an interface under SDH framing with AU-3 mapping and specify IP routing on the channelized 1-port OSM-CHOC12/T1-SI modules. To configure interfaces using SDH framing with AU-3 mapping, perform this task:

	Command	Purpose
Step 1	Router# <b>configure</b> <b>terminal</b>	Enters configuration mode and specifies that the console terminal is the source of the configuration subcommands.
Step 2	Router(config)# <b>controller</b> <b>sonet</b> <i>slot/port</i>	Selects the controller.

	Command	Purpose
Step 3	Router(config-controller)# <b>framing sdh</b>	Specifies the framing.
Step 4	Router(config-controller)# <b>aug mapping au-3</b>	Specifies the AUG mapping.
Step 5	Router(config-controller)# <b>au-3 au-3 number</b>	Provisions the AU-3 channel.
Step 6	Router(config-ctrlr-au3)# <b>mode c-12   ct3-e1   e3   t3</b>	(Optional) Specifies the channelization mode for the link.
Step 7	Router(config-ctrlr-au3)# <b>[no] tug-2 number e1 number</b>	(Optional) Specifies Tug-2 configuration mode for the link. Use the <b>no</b> version of this command to unprovision the link.
Step 8	Router(config-controller)# <b>exit</b>	Exits controller configuration mode.
Step 9	Router(config)# <b>interface serial slot/port:au-3 number</b>	Selects the interface.
Step 10	Router(config-if)# <b>ip address ip-address mask [secondary]</b>	Assigns an IP address and subnet mask to the interface.
Step 11	Router(config-if)# <b>[no] shutdown</b>	Enables the interface.

In this example, a link is configured for 12 T3 channels:

**Step 1** Enter the **configure terminal** EXEC command to enter global configuration mode as follows:

```
router# configure terminal
Enter configuration commands, one per line. End with CNTL/Z.
```

**Step 2** Provision T3 channels:

```
Router(config)# controller sonet 4/1
Router(config-controller)# framing sdh
Router(config-controller)# overhead s1s0 2
Router(config-controller)# aug mapping au-3
Router(config-controller)# au-3 1
Router(config-ctrlr-au3)# mode t3
Router(config-ctrlr-au3)# au-3 2
Router(config-ctrlr-au3)# mode t3
Router(config-ctrlr-au3)# au-3 3
Router(config-ctrlr-au3)# mode t3
Router(config-ctrlr-au3)# au-3 4
Router(config-ctrlr-au3)# mode t3
Router(config-ctrlr-au3)# au-3 5
Router(config-ctrlr-au3)# mode t3
Router(config-ctrlr-au3)# au-3 6
Router(config-ctrlr-au3)# mode t3
Router(config-ctrlr-au3)# au-3 7
Router(config-ctrlr-au3)# mode t3
Router(config-ctrlr-au3)# au-3 8
Router(config-ctrlr-au3)# mode t3
Router(config-ctrlr-au3)# au-3 9
Router(config-ctrlr-au3)# mode t3
Router(config-ctrlr-au3)# au-3 10
Router(config-ctrlr-au3)# mode t3
Router(config-ctrlr-au3)# au-3 11
Router(config-ctrlr-au3)# mode t3
Router(config-ctrlr-au3)# au-3 12
Router(config-ctrlr-au3)# mode t3
```

## Configuring Interfaces Using SDH Framing with AU-4 Mapping

This section describes how to enable an interface under SDH framing with AU-4 mapping and specify IP routing on the channelized 1-port OSM-CHOC12/T1-SI modules. In this example, a port is configured as 12 DS-3 interfaces.

	Command	Purpose
Step 1	Router# <b>configure terminal</b>	Enters configuration mode and specifies that the console terminal is the source of the configuration subcommands.
Step 2	Router(config)# <b>controller sonet slot/port</b>	Selects the controller.
Step 3	Router(config-controller)# <b>framing sdh</b>	Specifies the framing.
Step 4	Router(config-ctrlr-au-4)# <b>aug mapping au-4</b>	Specifies the AUG mapping.
Step 5	Router(config-controller)# <b>au-4 au-4 number {overhead   pos   tug-3}</b>	Provisions the au-4 channel.
Step 6	Router(config-ctrlr-tug3)# <b>mode {c-12   e3}   tug-2 number e1 number</b>	Specifies the TUG-3 channelization mode.

This example configures the first TUG-3 of the AU-4 in port 6/1:

**Step 1** Enter the **configure terminal** EXEC command to enter global configuration mode as follows:

```
Router# configure terminal
Enter configuration commands, one per line. End with CNTL/Z.
```

**Step 2** Configure the SONET controller:

```
Router(config)# controller sonet 5/1
Router(config-controller)# framing sdh
```

**Step 3** Specify the AUG mapping:

```
Router(config-controller)# aug mapping au-4
```

**Step 4** Select a TUG-3 for configuration:

```
Router(config-controller)# au-4 1 tug-3 1
```

**Step 5** Specify the channelization mode:

```
Router(config-ctrlr-tug3)# mode e3
```