



APPENDIX **D**

Repacking the Cisco 7600 Series Router

This appendix provides repacking and shipping instructions for the following routers if you need to return your switch to the factory:

- [Cisco 7603 Router, page D-1](#)
- [Cisco 7606 Router, page D-2](#)
- [Cisco 7609 Router and Cisco 7609-S Router, page D-4](#)
- [Cisco 7613 Router, page D-6](#)

Cisco 7603 Router



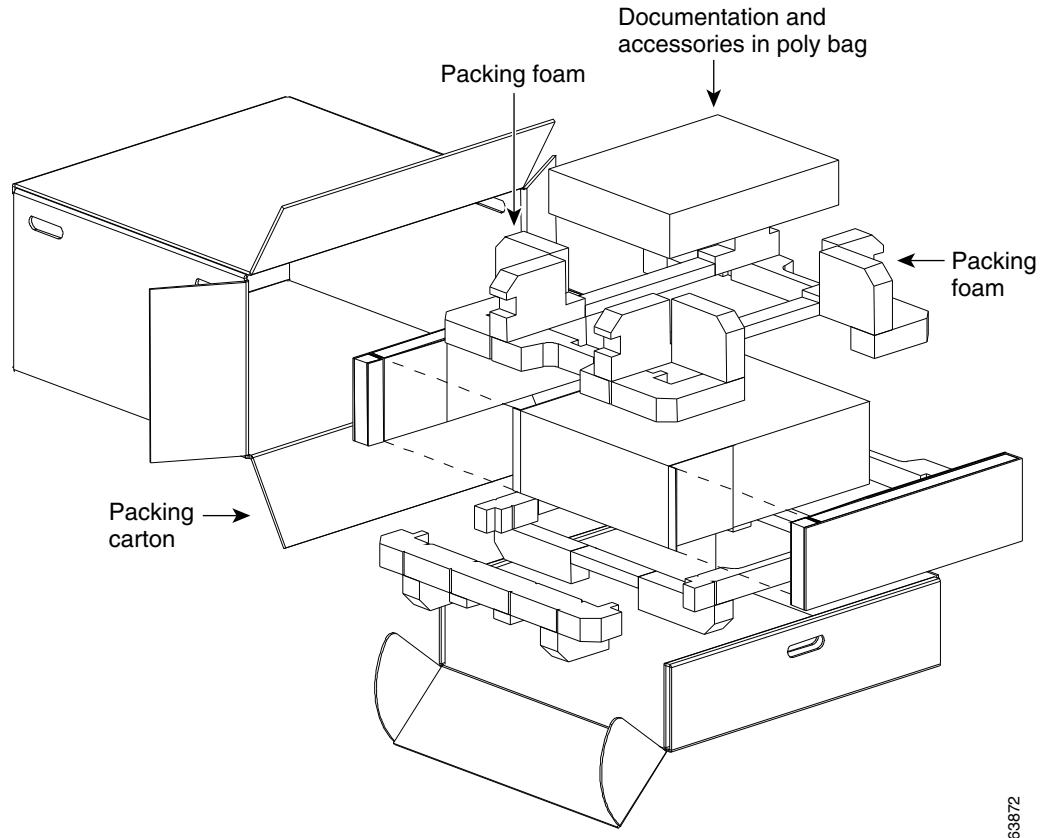
Warning

To prevent personal injury or damage to the chassis, never attempt to lift or tilt the chassis using the handles on modules (such as power supplies, fans, or cards); these types of handles are not designed to support the weight of the unit. Lift the unit only by using handles that are an integral part of the chassis, or by grasping the chassis underneath its lower edge.

If you need to return or move the Cisco 7603 Router, follow these steps to repack the switch using the original packaging material:

-
- Step 1** Set the chassis on the packing material on the bottom pallet. (See [Figure D-1](#).)
 - Step 2** Place the packing material on the sides of the chassis.
 - Step 3** Place the top packing material over the top of the switch.
 - Step 4** Place the accessory kit on the top packing material.
 - Step 5** Place the shipping carton so the open end is on one side and the glue joint is at the top; slide the pallet into the carton horizontally.
 - Step 6** Seal the carton with packing tape.

Figure D-1 Cisco 7603 Router Packing Material



63872

Cisco 7606 Router



Warning

To prevent personal injury or damage to the chassis, never attempt to lift or tilt the chassis using the handles on modules (such as power supplies, fans, or cards); these types of handles are not designed to support the weight of the unit. Lift the unit only by using handles that are an integral part of the chassis, or by grasping the chassis underneath its lower edge.

If you need to return or move the Cisco 7606 Router, follow these steps to repack the switch using the original packaging material:

- Step 1** Set the chassis on the packing material on the bottom pallet. (See [Figure D-2](#).)
- Step 2** Place the top-packing material over the top of the chassis.
- Step 3** Place the accessory kit on the top-packing material.



Note You must include the accessory kit for the final packaging to fit properly.

- Step 4** Place the outside carton over the entire package.
- Step 5** Fold the outside carton down over the top and seal with packing tape.
- Step 6** Wrap three packing straps tightly around the top and bottom of the package to hold the outside carton and the bottom pallet together. (See [Figure D-3](#).)

Figure D-2 Cisco 7606 Router Packing Material

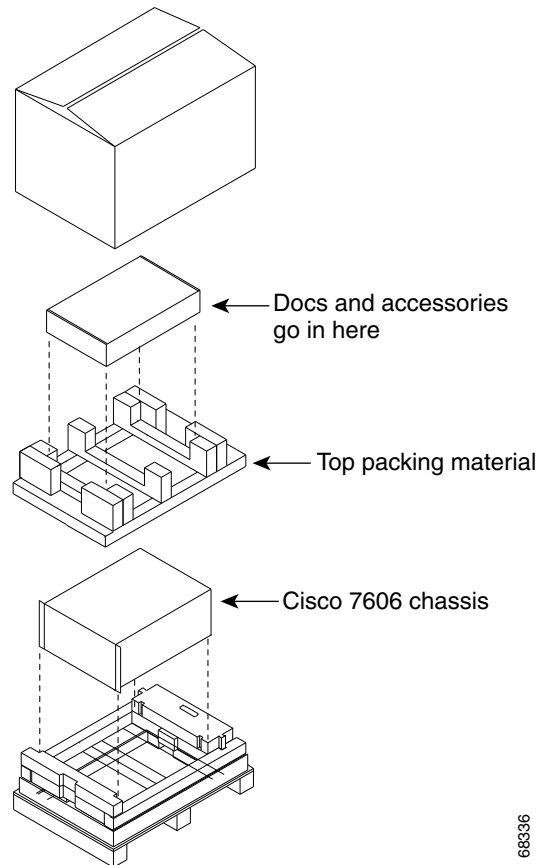
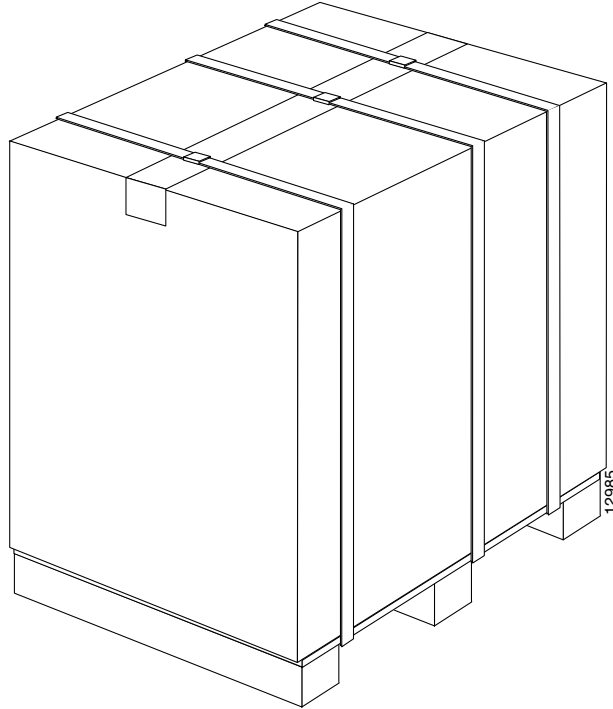


Figure D-3 Cisco 7606 Router Final Package



Cisco 7609 Router and Cisco 7609-S Router



Warning

To prevent personal injury or damage to the chassis, never attempt to lift or tilt the chassis using the handles on modules (such as power supplies, fans, or cards); these types of handles are not designed to support the weight of the unit. Lift the unit only by using handles that are an integral part of the chassis, or by grasping the chassis underneath its lower edge.

If you need to return or move the Cisco 7609 router or the Cisco 7609-S router, follow these steps to repack the switch using the original packaging material:

- Step 1** Install the power supplies in the chassis.
- Step 2** Set the chassis on the packing material on the bottom pallet. (See [Figure D-4](#).)
- Step 3** Place the packing bag over the chassis.
- Step 4** Place the top-packing material over the top of the chassis.
- Step 5** Place the outside carton over the entire package.
- Step 6** Place the cable management kit and the accessory kit on the top-packing material.



Note You must include the accessory kit for the final packaging to fit properly.

- Step 7** Place the top carton over the top.
- Step 8** Wrap three packing straps tightly around the top and bottom of the package to hold the outside carton and the bottom pallet together. (See [Figure D-5](#).)

Figure D-4 Cisco 7609 Router Packing Material

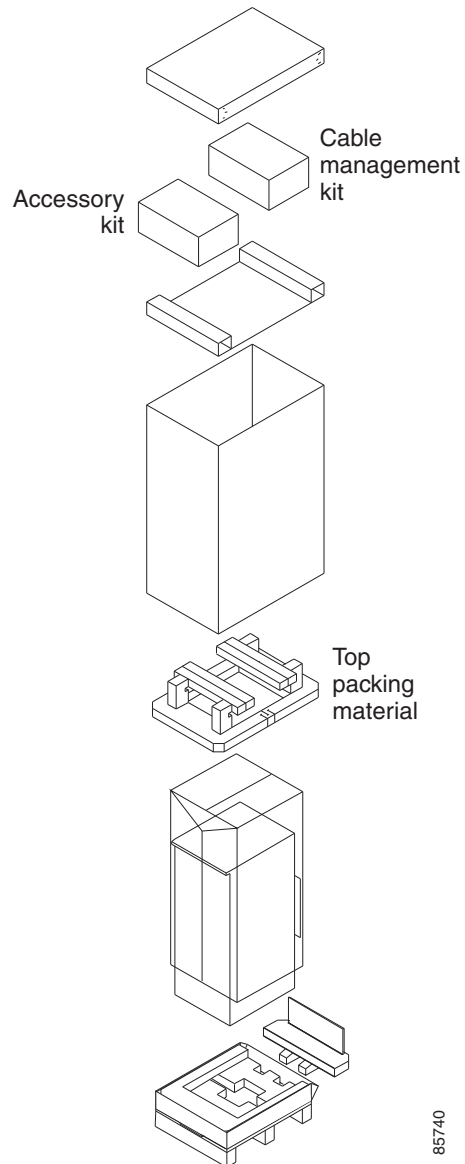
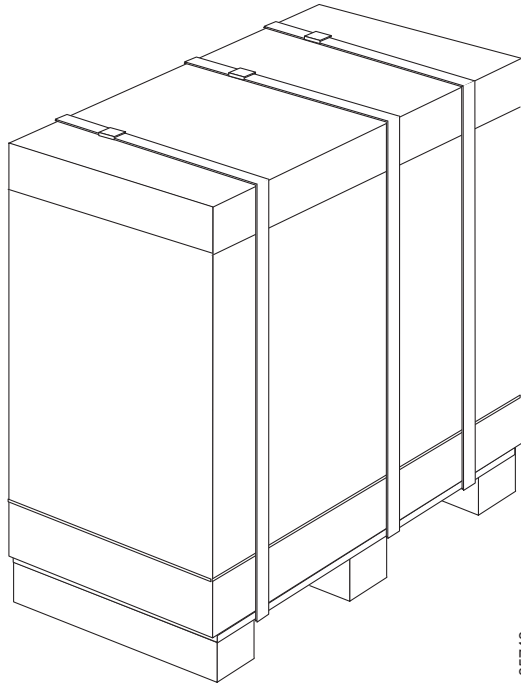


Figure D-5 Cisco 7609 Router Final Package

Cisco 7613 Router



Warning

To prevent personal injury or damage to the chassis, never attempt to lift or tilt the chassis using the handles on modules (such as power supplies, fans, or cards); these types of handles are not designed to support the weight of the unit. Lift the unit only by using handles that are an integral part of the chassis, or by grasping the chassis underneath its lower edge.

If you need to return or move the Cisco 7613 Router, follow these steps to repack the switch using the original packaging material:

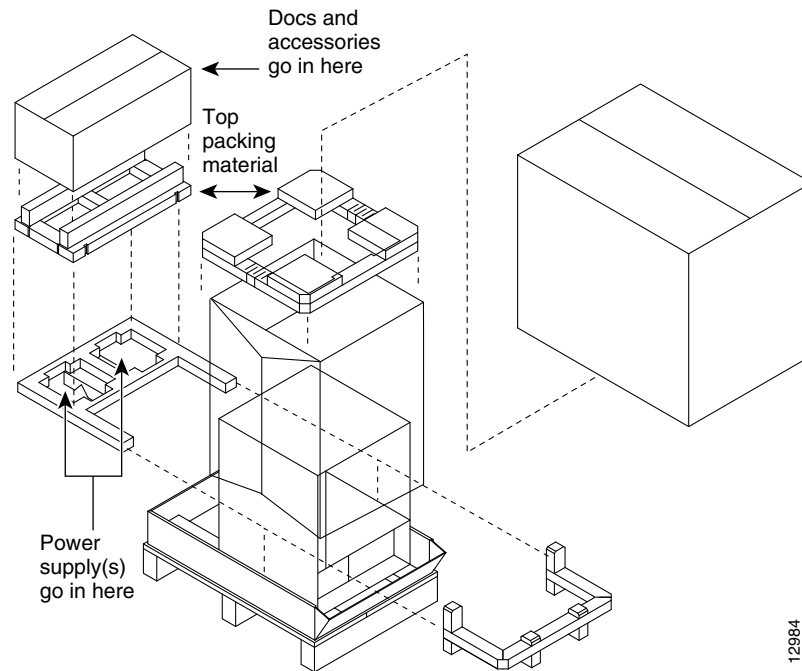
- Step 1** Set the chassis in the bottom pallet. (See [Figure D-6](#).)
- Step 2** Place the packing bag over the chassis.
- Step 3** Place the front-packing material and power supply packing material around the chassis.
- Step 4** Place the power supplies in the spaces provided in the power supply packing material. (See [Figure D-6](#).)
- Step 5** Place the top-packing material over the top of the chassis and power supplies.
- Step 6** Place the rack-mount kit and the accessory kit on the top-packing material.



Note You must include the accessory kit for the final packaging to fit properly.

- Step 7** Place the outside carton over the entire package.
- Step 8** Fold the outside carton down over the top and seal with packing tape.
- Step 9** Wrap three packing straps tightly around the top and bottom of the package to hold the outside carton and the bottom pallet together. (See [Figure D-7](#).)

Figure D-6 Cisco 7613 Router Packing Material



12984

Figure D-7 Cisco 7613 Router Final Package

