



# Installing Standard, Extended, and Adjustable Fiber Clips in the Cisco ONS 15454

---

This document describes how to install the standard, extended, and adjustable fiber clips on the Cisco ONS 15454 optical cards. There are five types of fiber clips for ONS 15454 OC-N/STM-N cards. The following three types of clips ship with all OC-N/STM-N cards, with the exception of the 15454\_MRC-12 card:

- Standard: 2.02 inches (5.13 cm); 52-0616-01
- Extended: 4.24 inches (10.76 cm); 52-0621-01
- Adjustable: 2.56 inches retracted (6.50 cm), 3.06 inches (7.77 cm) in the intermediate position; 4.16 inches (10.57 cm) fully extended; 52-0626-01

The 15454\_MRC-12 card ships with the following two types of clips:

- Short clip: 52-0629-01
- Long clip: 52-0628-01

This document contains the following sections:

- [Install the Standard, Extended, and Adjustable Fiber Clips, page 2](#)
- [Adjust the Length of the Adjustable Fiber Clips, page 3](#)
- [Install the 15454\\_MRC-12 Clips, page 4](#)
- [Remove Fiber Clips, page 5](#)
- [Related Documentation, page 6](#)
- [Obtaining Documentation and Submitting a Service Request, page 6](#)

Use this document in conjunction with the *Cisco ONS 15454 Procedure Guide* and the *Cisco ONS 15454 Reference Manual*.

# Install the Standard, Extended, and Adjustable Fiber Clips

  
**Caution**

If you want to install a fiber clip on a card already installed in a shelf, you must completely remove the OC-N/STM-N card from the shelf. Ensure that the card is not carrying traffic and remove all fiber-optic cables before removing the card from the ONS 15454 shelf.

  
**Caution**

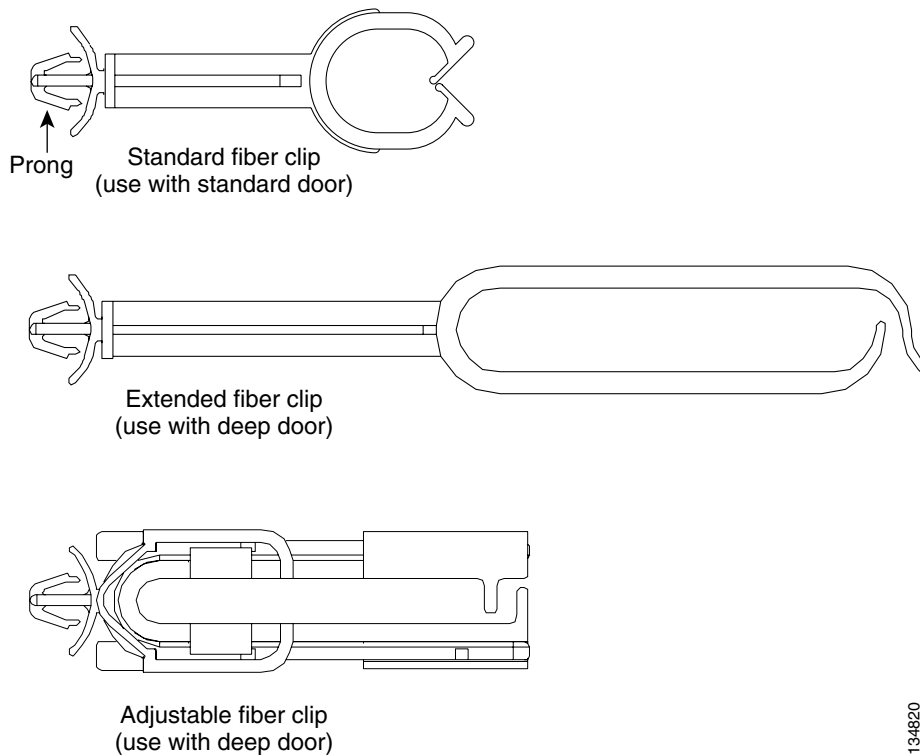
Always use an electrostatic discharge (ESD) wristband when working with a powered ONS 15454. Plug the wristband cable into the ESD jack located on the lower-right outside edge of the shelf assembly.

The ONS 15454 ships with three types of fiber clips that can be installed on the faceplate of OC-N/STM-N cards, with the exception of 15454\_MRC-12 card, which ships with a separate type of clips. (See the [“Install the 15454\\_MRC-12 Clips”](#) section on page 4 for more information.)

Install standard fiber clips (52-0616-01) on OC-N cards if the shelf has a standard front door installed. Install extended fiber clips (52-0621-01) or adjustable fiber clips (52-0626-01) on OC-N/STM-N cards if the shelf has a deep (extended) door (800-25281-01) installed.

Figure 1 shows standard, extended, and adjustable fiber clips that can be used with all ONS 15454 cards except the 15454\_MRC-12.

**Figure 1** Standard, Extended, and Adjustable Fiber Clips



**Caution**

Be careful to avoid components when installing fiber clips on the rear of the card faceplates. Touching or jarring components may damage them.

- 
- Step 1** Locate the prong on the fiber clip (Figure 1).
- Step 2** Gently snap the new fiber clip into place on the faceplate.
- Step 3** Use a small flathead screwdriver or needle-nose pliers to carefully widen the prong and firmly secure the clip on the faceplate.
- 

## Adjust the Length of the Adjustable Fiber Clips

To extend the length of the adjustable fiber clip, perform the following steps.

- 
- Step 1** Using your finger or a non-conductive instrument, gently push on the plastic sliding arch. The arch will compress slightly. You can then move the loop back and forth to one of three adjustment notches to make the fiber clip shorter or longer.

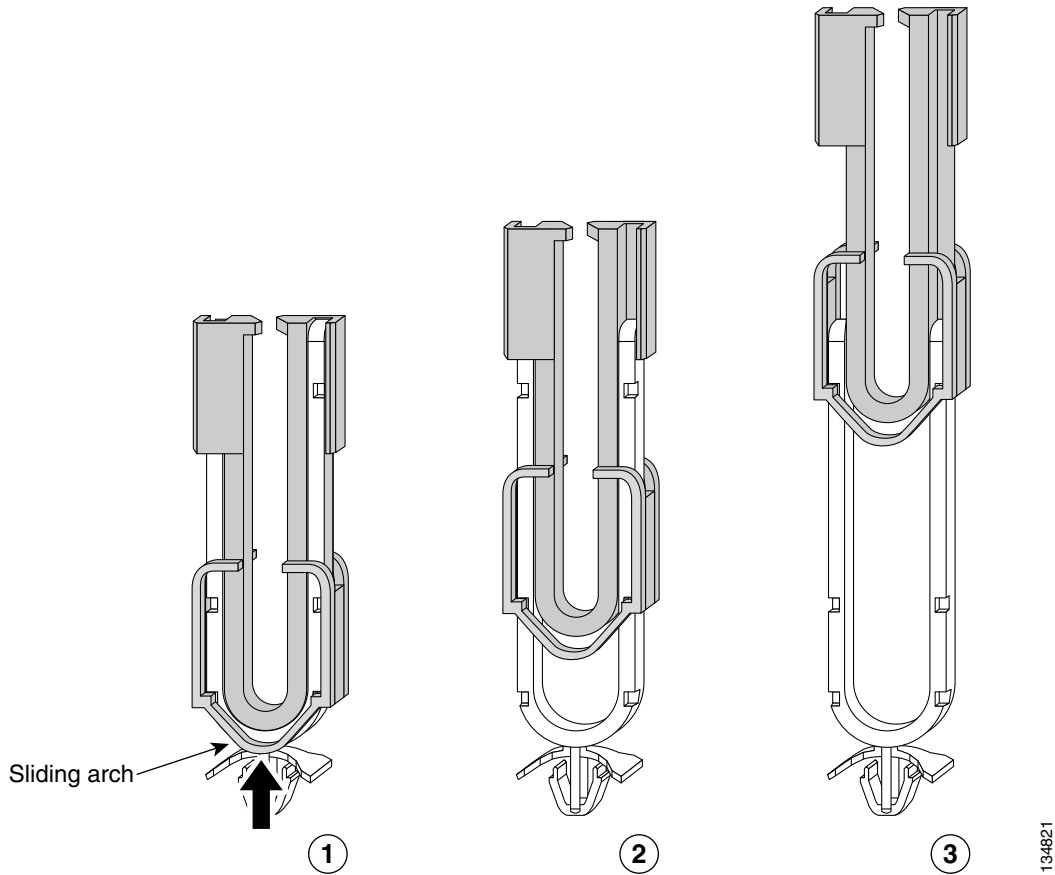
**Caution**

Make sure you do not push the sliding arch with so much force that the arch piece detaches from the adjustable fiber clip assembly.

---

Figure 2 demonstrates how the sliding arch slides out to create an elongated clip.

Figure 2 Adjustable Fiber Clip

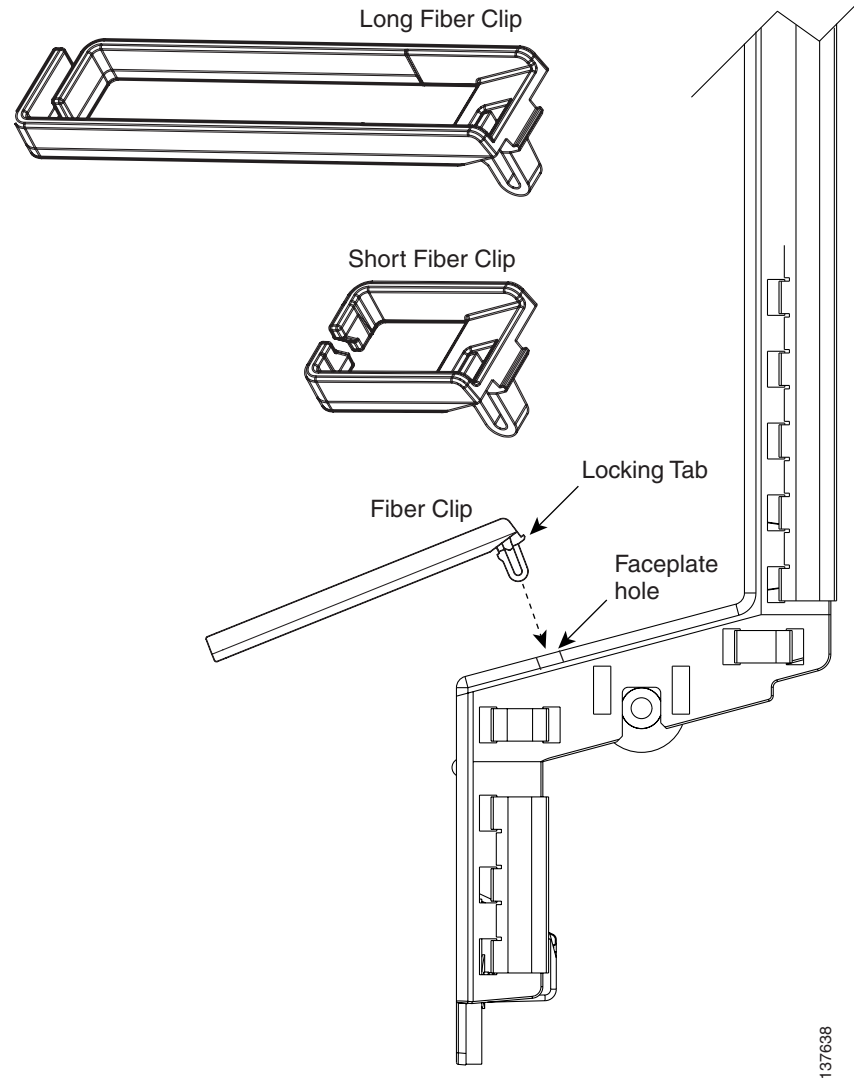


## Install the 15454\_MRC-12 Clips

Perform the following steps to install a short or long clip on the 15454\_MRC-12 card.

- 
- Step 1** Determine the correct clip to use. Use the short clip with a standard cabinet door and a long clip with a deep (extended) door.
  - Step 2** Insert the prong of the fiber clip into the rectangular cutout on the sloped face of the faceplate (Figure 3).

**Figure 3** Installing a 15454\_MRC-12 Fiber Clip



**Step 3** Push the clip into the hole until the locking tab snaps the clip securely into place.

## Remove Fiber Clips

As necessary, perform this procedure to remove fiber clips on OC-N/STM-N cards.



**Caution**

Be careful to avoid components when removing fiber clips on the card faceplate. Touching or jarring components may damage them.

**Step 1** Remove the card from the shelf.

- Step 2** To remove fiber clips:
- For fiber clips on the 15454\_MRC-12 card, perform [Step 3](#).
  - For fiber clips on all other OC-N/STM-N cards, go to [Step 4](#).
- Step 3** On the 15454\_MRC-12 card fiber clip ([Figure 3](#)), push on the locking tab to release the clip while rotating the clip forward and up.
- Step 4** On the OC-N/STM-N card, use a small flathead screwdriver or needle-nose pliers to remove the old clip by gently inserting the screwdriver or needle-nose pliers between the prong and the faceplate. Gently narrow the prong to loosen it from the faceplate.
- Step 5** Gently pull the clip from the front of the faceplate.
- 

## Related Documentation

- Cisco ONS 15454 Procedure Guide*
- Cisco ONS 15454 Reference Manual*
- Cisco ONS 15454 Troubleshooting Guide*

## Obtaining Documentation and Submitting a Service Request

For information on obtaining documentation, submitting a service request, and gathering additional information, see the monthly *What's New in Cisco Product Documentation*, which also lists all new and revised Cisco technical documentation, at:

<http://www.cisco.com/en/US/docs/general/whatsnew/whatsnew.html>

Subscribe to the *What's New in Cisco Product Documentation* as an RSS feed and set content to be delivered directly to your desktop using a reader application. The RSS feeds are a free service. Cisco currently supports RSS Version 2.0.

CCVP, the Cisco logo, and Welcome to the Human Network are trademarks of Cisco Systems, Inc.; Changing the Way We Work, Live, Play, and Learn is a service mark of Cisco Systems, Inc.; and Access Registrar, Aironet, Catalyst, CCDA, CCDP, CCIE, CCIP, CCNA, CCNP, CCSP, Cisco, the Cisco Certified Internetwork Expert logo, Cisco IOS, Cisco Press, Cisco Systems, Cisco Systems Capital, the Cisco Systems logo, Cisco Unity, Enterprise/Solver, EtherChannel, EtherFast, EtherSwitch, Fast Step, Follow Me Browsing, FormShare, GigaDrive, HomeLink, Internet Quotient, IOS, iPhone, IP/TV, iQ Expertise, the iQ logo, iQ Net Readiness Scorecard, iQuick Study, LightStream, Linksys, MeetingPlace, MGX, Networkers, Networking Academy, Network Registrar, PIX, ProConnect, ScriptShare, SMARTnet, StackWise, The Fastest Way to Increase Your Internet Quotient, and TransPath are registered trademarks of Cisco Systems, Inc. and/or its affiliates in the United States and certain other countries.

All other trademarks mentioned in this document or Website are the property of their respective owners. The use of the word partner does not imply a partnership relationship between Cisco and any other company. (0711R)