



Installing the Cisco ONS 15454 Deep Door Kit

Product Number: 15454-DOOR-KIT

This document describes how to install the deep door kit for the Cisco ONS 15454. A door is pre-installed on the ONS 15454 but the 15454-DOOR-KIT provides a deeper door and additional extended fiber clips.

The deep door kit includes the following components. The numbers in parentheses represent the part number and quantity (if greater than one).

- Deep door (800-25281-XX)
- Gray fiber clips (52-0620-XX) (5)
- White fiber clips (52-0621-XX) (5)
- Deeper bracket, right side (700-18765-XX)
- Deeper bracket, left side (700-18766-XX)
- Screws (48-0007-XX) (12)

This document contains the following sections:

- [Installing the Deep Door, page 1](#)
- [Using the Fiber Clips, page 6](#)
- [Related Documentation, page 7](#)
- [Obtaining Documentation and Submitting a Service Request, page 7](#)

Use this document in conjunction with the *Cisco ONS 15454 Procedure Guide* and the *Cisco ONS 15454 Reference Manual*.

Installing the Deep Door



Caution

Always use an electrostatic discharge (ESD) wristband when working with a powered ONS 15454. Plug the wristband cable into the ESD jack located on the lower-right outside edge of the shelf assembly.



Corporate Headquarters:
Cisco Systems, Inc., 170 West Tasman Drive, San Jose, CA 95134-1706 USA

Copyright © 2006 Cisco Systems, Inc. All rights reserved.

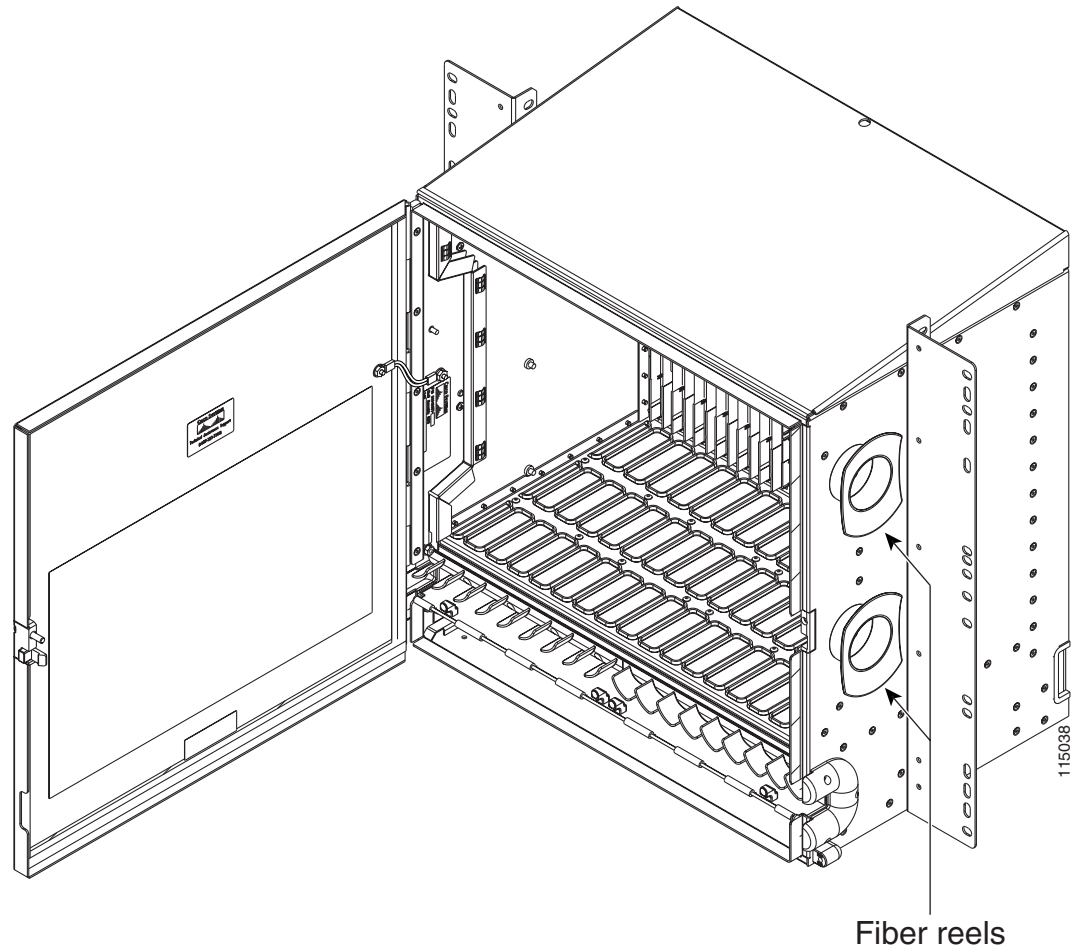
Remove the Existing Door

-
- Step 1** Open the front door lock. The ONS 15454 comes with a pinned hex key for locking and unlocking the front door. Turn the key counterclockwise to unlock the door.
- Step 2** Press the door button to release the latch and swing the door open.
- Step 3** To remove the door ground strap (available in Release 3.3 and later), perform the following:
- To detach the ground strap from the front door, loosen the #6 kep nut (49-0600-XX) using an open-end wrench. Detach the end of the ground strap terminal lug (72-3622-XX) from the male stud on the inside of the door.
 - To detach the other end of the ground strap from inside the chassis, loosen the #6 kep nut (49-0600-XX) on the terminal lug using an open-end wrench. Remove the terminal lug.
- Step 4** Lift the door from its hinges at the top left corner of the door.
-

Remove the Existing Brackets and Install the Deeper Brackets

If the ONS 15454 shelf does not already have the appropriate deeper brackets (700-18765-XX and 700-18766-XX) installed, unscrew the mounting screws on the fiber reels and remove the fiber reels ([Figure 1](#)). Remove the existing brackets and install the deeper brackets in the same location. See the *Cisco ONS 15454 Procedure Guide* for more installation information.

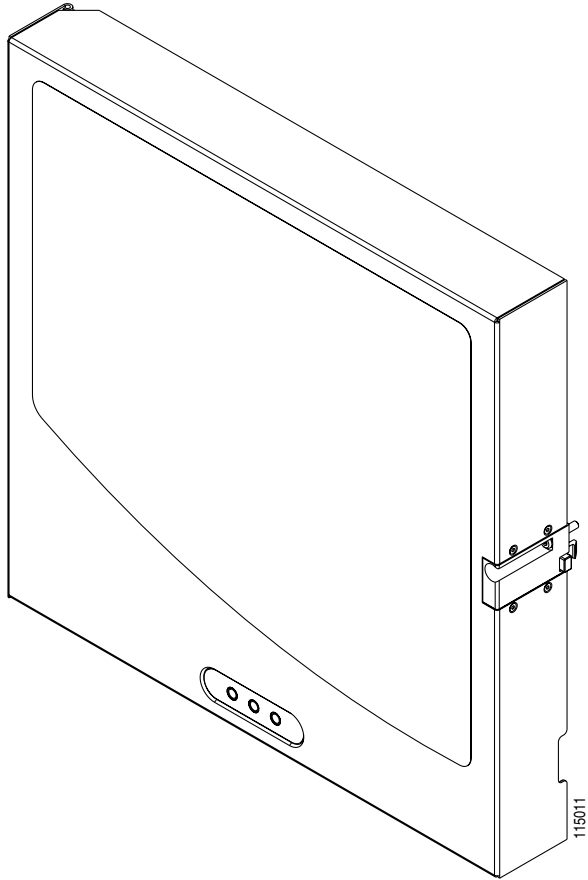
Figure 1 Fiber Reels



Install the Door

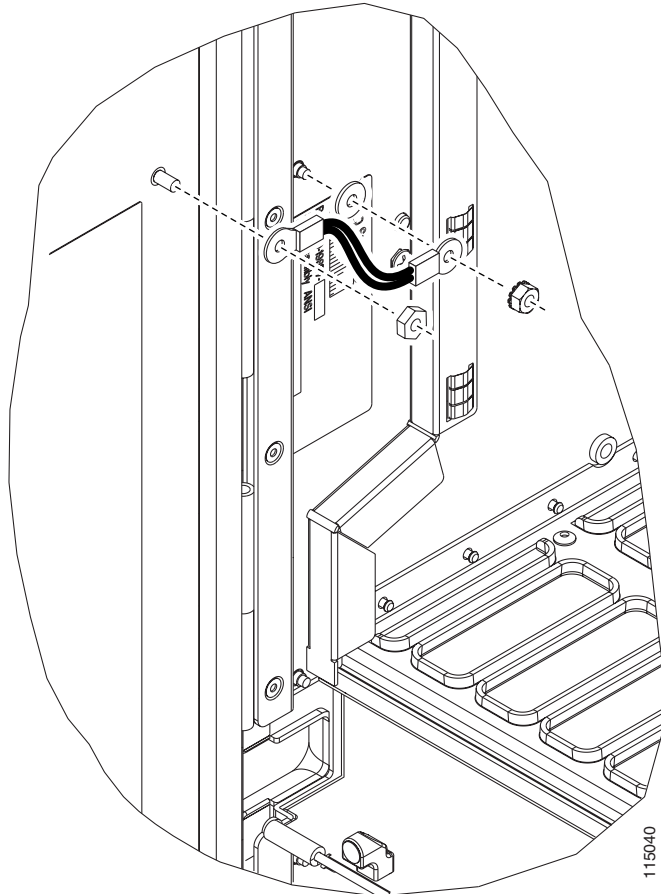
- Step 1** Insert the front door into the hinges on the shelf assembly ([Figure 2](#)).

Figure 2 Cisco ONS 15454 Deep Door



Step 2 Attach one of the door ground strap's terminal lugs to the male stud on the inside of the door. Attach and tighten the Kepnut using the open-end wrench ([Figure 3](#)).

Figure 3 *Installing the Door Ground Strap*



- Step 3** Attach the other end of the ground strap to the male stud on the inside of the chassis. Use an open-end wrench to tighten the Kepnut on the terminal lug.

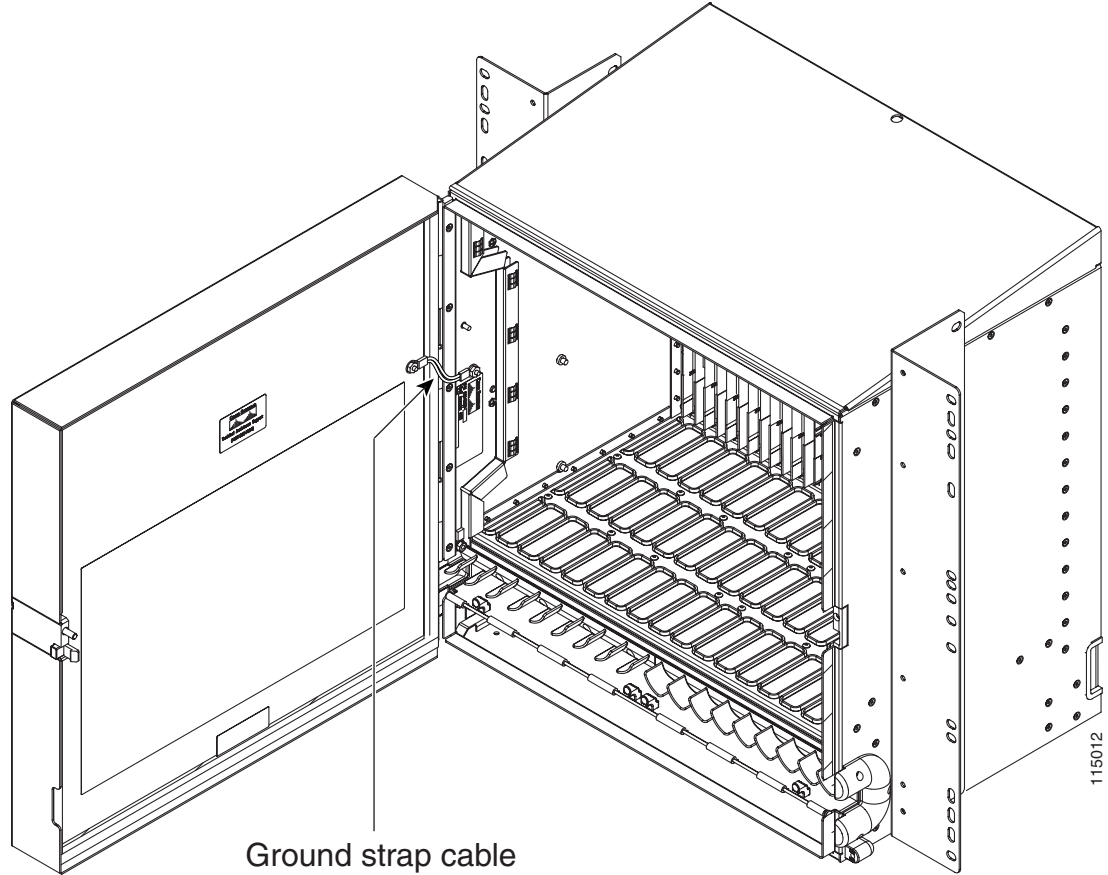


Note

To avoid interference with the traffic (line) card, make sure the ground strap is in a flat position when the door is open. To move the ground strap into a flat position, rotate the terminal lug counterclockwise before tightening the Kepnut.

Figure 4 shows the shelf assembly with the front door and ground strap installed.

Figure 4 Shelf Assembly with Door Ground Strap Installed



Step 4 Swing the door closed.



Note The ONS 15454 comes with a pinned hex key tool for locking and unlocking the front door. Turn the key counterclockwise to unlock the door and clockwise to lock it.

Using the Fiber Clips

Refer to the *Installing the Standard, Extended, and Adjustable Fiber Clips on the Cisco ONS 15454* (78-16550-xx) document for information about using the different fiber clip types available for the Cisco ONS 15454.

Related Documentation

- *Cisco ONS 15454 Procedure Guide*
- *Cisco ONS 15454 Reference Manual*
- *Cisco ONS 15454 Troubleshooting Guide*

Obtaining Documentation and Submitting a Service Request

For information on obtaining documentation, submitting a service request, and gathering additional information, see the monthly *What's New in Cisco Product Documentation*, which also lists all new and revised Cisco technical documentation, at:

<http://www.cisco.com/en/US/docs/general/whatsnew/whatsnew.html>

Subscribe to the *What's New in Cisco Product Documentation* as an RSS feed and set content to be delivered directly to your desktop using a reader application. The RSS feeds are a free service. Cisco currently supports RSS Version 2.0.

This document is to be used in conjunction with the documents listed in the “[Related Documentation](#)” section.

CCVP, the Cisco logo, and Welcome to the Human Network are trademarks of Cisco Systems, Inc.; Changing the Way We Work, Live, Play, and Learn is a service mark of Cisco Systems, Inc.; and Access Registrar, Aironet, Catalyst, CCDA, CCDP, CCIE, CCIP, CCNA, CCNP, CCSP, Cisco, the Cisco Certified Internetwork Expert logo, Cisco IOS, Cisco Press, Cisco Systems, Cisco Systems Capital, the Cisco Systems logo, Cisco Unity, Enterprise/Solver, EtherChannel, EtherFast, EtherSwitch, Fast Step, Follow Me Browsing, FormShare, GigaDrive, HomeLink, Internet Quotient, IOS, iPhone, IP/TV, iQ Expertise, the iQ logo, iQ Net Readiness Scorecard, iQuick Study, LightStream, Linksys, MeetingPlace, MGX, Networkers, Networking Academy, Network Registrar, PIX, ProConnect, ScriptShare, SMARTnet, StackWise, The Fastest Way to Increase Your Internet Quotient, and TransPath are registered trademarks of Cisco Systems, Inc. and/or its affiliates in the United States and certain other countries.

All other trademarks mentioned in this document or Website are the property of their respective owners. The use of the word partner does not imply a partnership relationship between Cisco and any other company. (0711R)

