

# Installing the Door Ground Strap Retrofit Kit for the ONS 15454

---

**Product Number: 15454-SA-ANSI**

This document describes how to install the new door and door ground strap included in the ONS 15454 Door Ground Strap Retrofit Kit. You will need a Phillips screwdriver and an open end wrench (included in the kit).

## Install the Door Ground Strap Retrofit Kit

---

- Step 1** Open the front door.
- Step 2** Lift the door from its hinges at the top left-hand corner of the door and remove.
- Step 3** Insert the new door (800-21446-01) and leave open.
- Step 4** Using a Phillips screwdriver, remove the top 4-40 screw from the left side of the fiber guide.
- Step 5** Replace the screw with the longer 4-40 screw (48-0906-01) included in the retrofit kit. [Figure 1](#) shows the left fiber guide with the new longer screw installed.

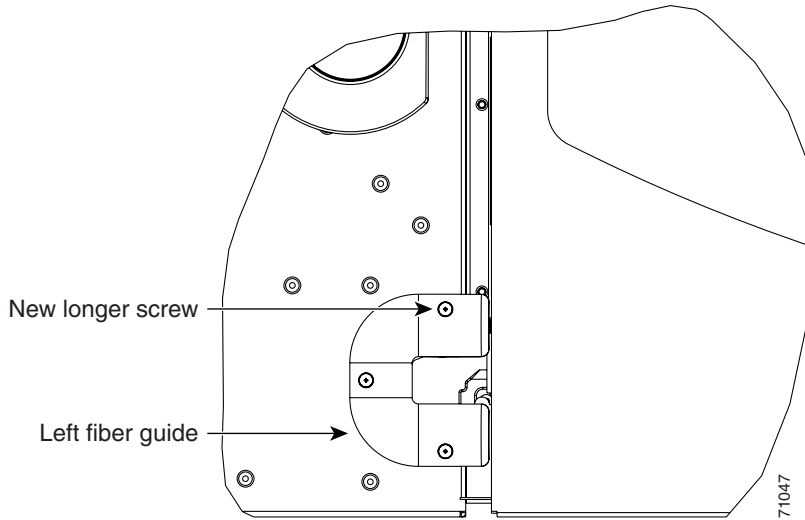


---

**Corporate Headquarters:**  
Cisco Systems, Inc., 170 West Tasman Drive, San Jose, CA 95134-1706 USA

Copyright © 2002. Cisco Systems, Inc. All rights reserved.

**Figure 1** Left fiber guide with new longer screw



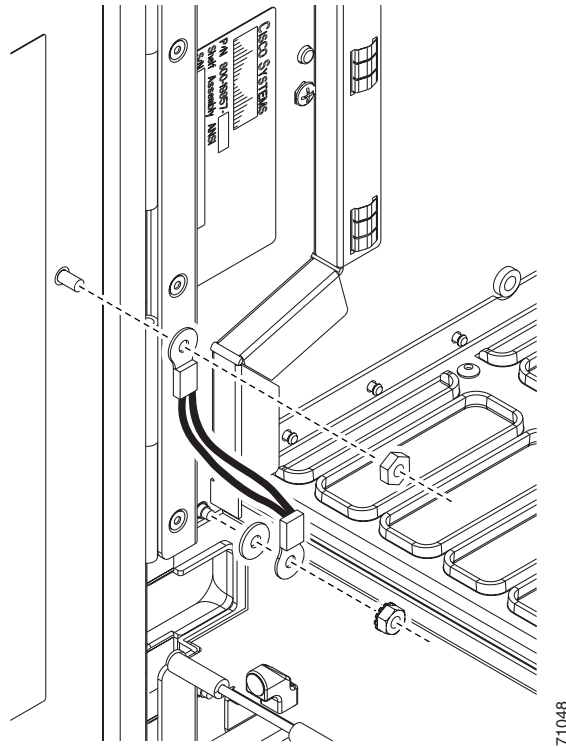
**Step 6** Using a Phillips screwdriver, remove the screws that attach the left cable-routing channel and remove the left cable-routing channel.



**Note**

If fiber-optic or Ethernet cables are routed in the left cable-routing channel, then carefully move or disconnect them before removing and reinstalling the left cable-routing channel.

**Step 7** Attach one end of the ground strap terminal lug (72-3622-01) to the male stud on the inside of the door. Attach and tighten the #6 Kepnut (49-0600-01) using the open end wrench. See [Figure 2](#).

**Figure 2** Door Ground Strap Retrofit Kit assembly

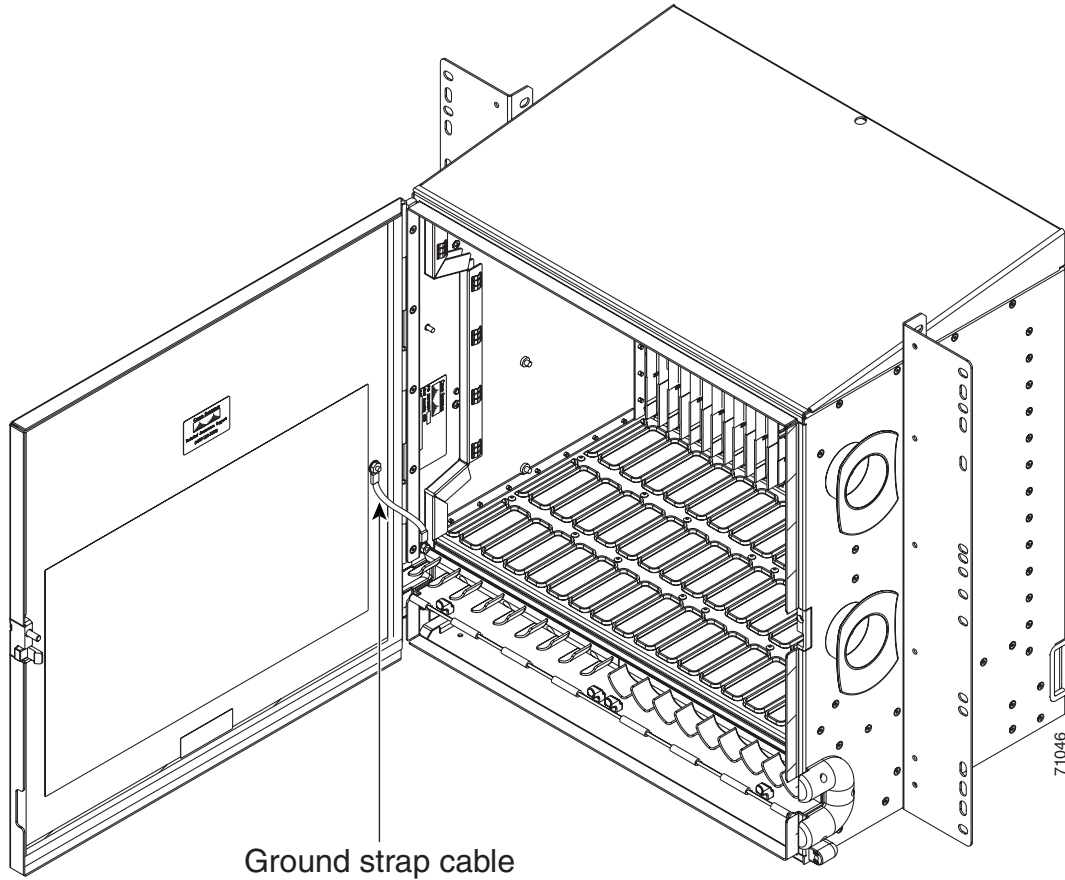
- Step 8** Attach the other end of the ground strap to the longer screw on the fiber guide shown in [Figure 1](#):
- Attach the lock washer.
  - Attach the terminal lug.
  - Using the open end wrench, attach and tighten the #4 Kepnut (49-0337-01) on the terminal lug.



**Note** To avoid interference with the line card, make sure the ground strap is in a flat position when the door is open. To move the ground strap into a flat position, rotate the terminal lug counterclockwise before tightening the Kepnut.

- Step 9** Replace the left cable-routing channel.
- Step 10** Using a Phillips screwdriver, insert and tighten the screws for the cable-routing channel.
- [Figure 3](#) shows the shelf assembly with the Door Ground Strap Retrofit Kit installed.

**Figure 3 Shelf assembly with Door Ground Strap Retrofit Kit installed**



This document is to be used in conjunction with the *Cisco ONS 15454 Installation and Operations Guide* publication.

AccessPath, AtmDirector, Browse with Me, CCIP, CCSI, CD-PAC, *CiscoLink*, the Cisco *Powered Network* logo, Cisco Systems Networking Academy, the Cisco Systems Networking Academy logo, Cisco Unity, Fast Step, Follow Me Browsing, FormShare, FrameShare, IGX, Internet Quotient, IP/VC, iQ Breakthrough, iQ Expertise, iQ FastTrack, the iQ Logo, iQ Net Readiness Scorecard, MGX, the Networkers logo, ScriptBuilder, ScriptShare, SMARTnet, TransPath, Voice LAN, Wavelength Router, and WebViewer are trademarks of Cisco Systems, Inc.; Changing the Way We Work, Live, Play, and Learn, and Discover All That's Possible are service marks of Cisco Systems, Inc.; and Aironet, ASIST, BPX, Catalyst, CCDA, CCDP, CCIE, CCNA, CCNP, Cisco, the Cisco Certified Internetwork Expert logo, Cisco IOS, the Cisco IOS logo, Cisco Press, Cisco Systems, Cisco Systems Capital, the Cisco Systems logo, Empowering the Internet Generation, Enterprise/Solver, EtherChannel, EtherSwitch, FastHub, FastSwitch, GigaStack, IOS, IP/TV, LightStream, MICA, Network Registrar, *Packet*, PIX, Post-Routing, Pre-Routing, RateMUX, Registrar, SlideCast, StrataView Plus, Stratm, SwitchProbe, TeleRouter, and VCO are registered trademarks of Cisco Systems, Inc. and/or its affiliates in the U.S. and certain other countries.

All other trademarks mentioned in this document or Web site are the property of their respective owners. The use of the word partner does not imply a partnership relationship between Cisco and any other company. (0110R)