



# Installing the Fan-Tray Assembly in the Cisco ONS 15310-MA

---

**Product Name: 15310-MA-FTA**

This document explains how to install the fan-tray assembly in the Cisco ONS 15310-MA. It also contains a description of the fan-tray assembly, installation equipment and procedures, and a list of specifications. As appropriate, use this document in conjunction with the *Cisco ONS 15310-CL and Cisco ONS 15310-MA Procedure Guide*, the *Cisco ONS 15310-CL and Cisco ONS 15310-MA Reference Manual*, and the *Cisco ONS 15310-CL and Cisco ONS 15310-MA Troubleshooting Guide* when working with the fan-tray assembly.

This document contains the following sections:

- [Fan-Tray Assembly Description, page 1](#)
- [Fan-Tray Assembly Specifications, page 3](#)
- [Install the Fan-Tray Assembly, page 3](#)
- [Related Documentation, page 5](#)
- [Obtaining Documentation, Obtaining Support, and Security Guidelines, page 5](#)

## Fan-Tray Assembly Description

The fan-tray assembly is located at the top of the ONS 15310-MA shelf assembly, under the air filter, rear exhaust, and air inlet. The fan tray is a removable drawer that holds four fans and the fan-control circuitry for the ONS 15310-MA. After you install the fan tray, you should only need to access it if a fan failure occurs.

The front of the fan-tray assembly has CRIT, MAJ, and MIN alarm LEDs that indicate that there are Critical, Major, and Minor alarm present on the ONS 15310-MA assembly.

[Figure 1](#) shows the location of the fan tray.

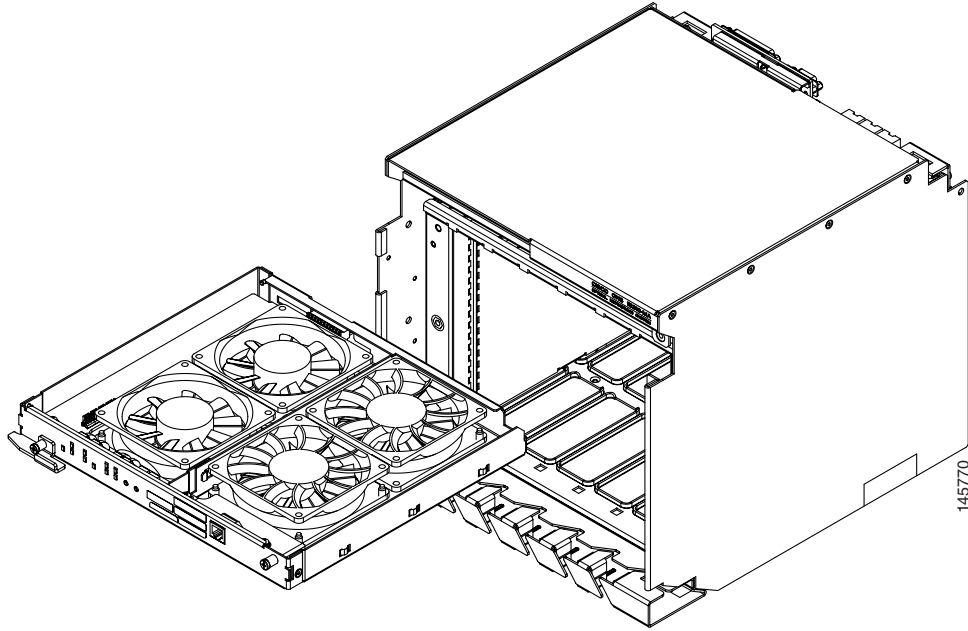


---

**Corporate Headquarters:**  
**Cisco Systems, Inc., 170 West Tasman Drive, San Jose, CA 95134-1706 USA**

© 2006 Cisco Systems, Inc. All rights reserved.

**Figure 1**      **Installing the Fan-Tray Assembly**



## Fan Speed and Power Requirements

Fan speed is controlled by CTX2500 card temperature sensors. The sensors measure the input air temperature at the fan-tray assembly.

## Fan Failure

If one or more fans fail on the fan-tray assembly, replace the entire assembly. You cannot replace individual fans. The red Fan Fail LED on the front of the fan tray illuminates when one or more fans fail. For fan tray replacement instructions, refer to the *Cisco ONS 15310-CL and Cisco ONS 15310-MA Troubleshooting Guide*. The red Fan Fail LED is unlit after you install a working fan tray.

## Air Filter

The ONS 15310-MA uses a reusable air filter; Model 15310-MA-FTF, that is installed above the fan-tray assembly. The reusable filter is made of a gray, open-cell, polyurethane foam that is specially coated to provide fire and fungi resistance. Spare filters should be kept in stock.



### Caution

---

Do not operate an ONS 15310-MA without the mandatory fan-tray air filter.

---

# Fan-Tray Assembly Specifications

- Environmental
  - Operating temperature: -40 to +65 degrees Celsius (-40 to 149 degrees Fahrenheit)
  - Operating humidity: 5 to 90%, noncondensing
- Power
  - 50 W, 4.2 Amps (at 12 V), 170 BTU/hr
- Shelf Acoustics (NEBS acoustic noise compliant)
  - Normal fan speed: 58 dBA
  - High fan speed: 64 dBA

## Install the Fan-Tray Assembly

The following parts are needed to install the fan-tray assembly.

- #2 Phillips screwdriver
- Fan-tray assembly
- Fan filter

**Caution**

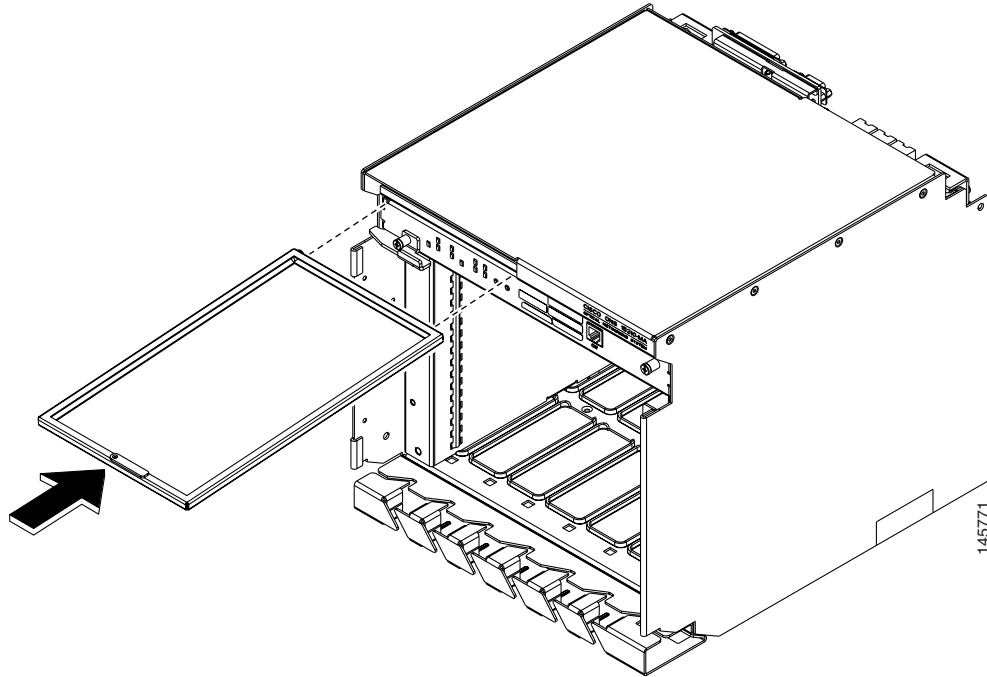
---

Do not force a fan-tray assembly into place. Doing so can damage the connectors on the fan tray and/or the connectors on the back panel of the shelf assembly.

---

- 
- Step 1** Install the air filter. The air filter is installed internally in the slot at the top left of the shelf assembly (Figure 2). Pull the tab, located at the center of the front of the fan filter, toward you. Make sure the tab is facing up before you install the fan filter.
- Step 2** Slide the air filter into the bracket, and push the tab closed.

**Figure 2** *Installing the Fan-Tray Air Filter*



- Step 3** Pull the fan tray ejector all the way out.
- Step 4** Use the ejector to slide the fan tray into the shelf assembly until the electrical plug at the rear of the tray plugs into the corresponding receptacle on the backplane ([Figure 1 on page 2](#)).
- Step 5** Close the ejector.
- Step 6** Use a Phillips screwdriver to tighten the screws at either end of the fan-tray assembly.
- Step 7** To verify that the tray has plugged into the backplane, look at the fan tray and listen to determine that the fans are running.

## Related Documentation

- *Cisco ONS 15310-CL and Cisco ONS 15310-MA Procedure Guide*
- *Cisco ONS 15310-CL and Cisco ONS 15310-MA Reference Manual*
- *Cisco ONS 15310-CL and Cisco ONS 15310-MA Troubleshooting Guide*

## Obtaining Documentation, Obtaining Support, and Security Guidelines

For information on obtaining documentation, obtaining support, providing documentation feedback, security guidelines, and also recommended aliases and general Cisco documents, see the monthly *What's New in Cisco Product Documentation*, which also lists all new and revised Cisco technical documentation, at:

<http://www.cisco.com/en/US/docs/general/whatsnew/whatsnew.html>

This document is to be used in conjunction with the documents listed in the “[Related Documentation](#)” section.

CCDE, CCENT, Cisco Eos, Cisco Lumin, Cisco Nexus, Cisco StadiumVision, Cisco TelePresence, the Cisco logo, DCE, and Welcome to the Human Network are trademarks; Changing the Way We Work, Live, Play, and Learn and Cisco Store are service marks; and Access Registrar, Aironet, AsyncOS, Bringing the Meeting To You, Catalyst, CCDA, CCDP, CCIE, CCIP, CCNA, CCNP, CCSP, CCVP, Cisco, the Cisco Certified Internetwork Expert logo, Cisco IOS, Cisco Press, Cisco Systems, Cisco Systems Capital, the Cisco Systems logo, Cisco Unity, Collaboration Without Limitation, EtherFast, EtherSwitch, Event Center, Fast Step, Follow Me Browsing, FormShare, GigaDrive, HomeLink, Internet Quotient, IOS, iPhone, iQ Expertise, the iQ logo, iQ Net Readiness Scorecard, iQuick Study, IronPort, the IronPort logo, LightStream, Linksys, MediaTone, MeetingPlace, MeetingPlace Chime Sound, MGX, Networkers, Networking Academy, Network Registrar, PCNow, PIX, PowerPanels, ProConnect, ScriptShare, SenderBase, SMARTnet, Spectrum Expert, StackWise, The Fastest Way to Increase Your Internet Quotient, TransPath, WebEx, and the WebEx logo are registered trademarks of Cisco Systems, Inc. and/or its affiliates in the United States and certain other countries.

All other trademarks mentioned in this document or Website are the property of their respective owners. The use of the word partner does not imply a partnership relationship between Cisco and any other company. (0807R)

Any Internet Protocol (IP) addresses used in this document are not intended to be actual addresses. Any examples, command display output, and figures included in the document are shown for illustrative purposes only. Any use of actual IP addresses in illustrative content is unintentional and coincidental.

© 2006 Cisco Systems, Inc. All rights reserved.

♻️ Printed in the USA on recycled paper containing 10% postconsumer waste.