



Connecting Power and Ground

This chapter explains how to connect the power and ground for NCS 2006 shelf.

The sections are:

- [Power and Ground Description, on page 1](#)
- [NTP-L12 Installing Power and Ground to the NCS 2006 Shelf , on page 2](#)

Power and Ground Description

Ground the equipment according to Telcordia standards or local practices. The following sections describe power and ground for the NCS 2006 shelves.



Note For detailed instructions on grounding the NCS 2006 chassis, see the [Electrostatic Discharge and Grounding Guide for Cisco NCS 2000 Series](#).

ANSI Power and Ground

The NCS 2006 has redundant AC and DC power modules.

For redundant AC power feeds, install both the AC power modules and use the two power cables (right and left cables) shipped with the NCS 2006 and one ground cable. For an AC power supply, the fuse rating must not exceed 10A, 15A, or 20A. For North America, the branch circuit protection must be rated 20A. The overcurrent/short circuit protection must be in accordance with local and national electrical codes. The voltage rating value for AC power ranges between 100 VAC to 240 VAC depending on the standards in various countries. This product is intended for use on the TN and TT power systems.

For redundant DC power feeds, install both the DC power modules and use four power cables and one ground cable. For a single power feed, only two power cables (#8 AWG or larger, copper conductor, 194 degrees F [90 degrees C] minimum) and one ground cable (#6 AWG or larger) are required. Use a conductor with low impedance to ensure circuit overcurrent protection. However, the conductor must have the capability to safely conduct any faulty current that might be imposed. See [DC Power Specifications](#) for the fuse ratings applicable for different DC power modules.

The DC power modules have -48 VDC or -60 VDC #8 dual-hole lug power terminals for. The terminals are labeled RET and -48 V or -60 V on the DC power modules.



Note When the NCS 2006 shelf is powered at –60 VDC (nominal), only the TNC, OPT-AMP-C, OPT-AMP-17-C, OPT-EDFA-17, and OPT-EDFA-24 cards, and the NCS2006-ECU-60 can be installed.

We recommend the following wiring conventions, but customer conventions prevail:

- Red wire for battery connections (–48 VDC or –60 VDC).
- Black wire for battery return connections (RET).
- The battery return connection is treated as DC-I, as defined in Telcordia GR-1089-CORE, Issue 6.

The ground lug must be a dual-hole type, UL Listed, CSA certified and rated to accept the #6 AWG cable. Two ground posts with two M5 nuts are provided on the NCS 2006 to accommodate the dual-hole lug.



Note Only use the power cables shipped with the NCS 2006 shelf.

ETSI Power and Ground

The NCS 2006 for ETSI has –48 VDC or –60 VDC power connectors (DSUB for DC power module) on the DC power module. For redundant DC power feeds, install both the DC power modules and use the two power cables shipped with the NCS 2006 and one ground cable. For a DC power supply, the fuse rating must not exceed 40A.

For redundant AC power feeds, install both the AC power modules and use the two power cables (right and left cables) shipped with the NCS 2006 and one ground cable. For an AC power supply, the fuse rating must not exceed 10A, 15A, or 20A. For North America, the branch circuit protection must be rated 20A. The overcurrent/short circuit protection must be in accordance with local and national electrical codes. The voltage rating value for AC power ranges between 100 VAC to 240 VAC depending on the standards in various countries. This product is intended for use on the TN and TT power systems.



Caution Only use the power cables shipped with the NCS 2006 shelf.

NTP-L12 Installing Power and Ground to the NCS 2006 Shelf

Purpose	This procedure installs power feeds and grounds the NCS 2006 system.
----------------	--

<p>Tools/Equipment</p>	<p>and ETSI:</p> <ul style="list-style-type: none"> • #2 Phillips Dynamometric screwdriver • Medium slot-head screwdriver • Small slot-head screwdriver • Screws • Ground cable 13.3-mm² (#6 AWG) stranded • Listed pressure dual-holes lugs suitable for #8 AWG copper conductors • Wire cutters • Wire strippers • Crimp tool • Fuse panel <p>only:</p> <ul style="list-style-type: none"> • Power cable (from fuse and alarm panel to assembly), #8 AWG, copper conductors, 194 degrees F [90 degrees C]) • Wire wrapper <p>ETSI only:</p> <ul style="list-style-type: none"> • Power cable (from fuse panel to power modules), shipped with the NCS 2006 • Two-hole grounding lug, shipped with the NCS 2006
<p>Prerequisite Procedures</p>	<ul style="list-style-type: none"> • NTP-L9 Installing the Power Modules in the NCS 2006 Shelf. • Connect the chassis to the office ground. For detailed instructions on how to ground the chassis, see the Electrostatic Discharge and Grounding Guide for Cisco NCS 2000 Series .
<p>Required/As Needed</p>	<p>Required</p>
<p>Onsite/Remote</p>	<p>Onsite</p>
<p>Security Level</p>	<p>None</p>



Warning To ensure safety of personnel and equipment, do not connect any power cables into the power module until the module is completely installed into the chassis. Statement 389



Warning To reduce the risk of electric shock, switch on the power only after the power cord is completely installed into the power module. Statement 390



Warning Blank faceplates (filler panels) serve three important functions: they prevent exposure to hazardous voltages and currents inside the chassis; they contain electromagnetic interference (EMI) that might disrupt other equipment; and they direct the flow of cooling air through the chassis. Do not operate the system unless all cards, power modules, and faceplates are in place. Statement 261



Warning This equipment must be grounded. Never defeat the ground conductor or operate the equipment in the absence of a suitably installed ground conductor. Contact the appropriate electrical inspection authority or an electrician if you are uncertain that suitable grounding is available. Statement 1024



Warning Never install an AC power module and a DC power module in the same chassis. Statement 1050



Warning When stranded wiring is required, use approved wiring terminations, such as closed-loop or spade-type with upturned lugs. These terminations should be the appropriate size for the wires and should clamp both the insulation and conductor. Statement 1002



Warning Before performing any of the following procedures, ensure that power is removed from the DC circuit. Statement 1003



Warning Before working on a chassis or working near power supplies, unplug the power cord on AC units. Statement 246



Warning This equipment is intended to be grounded. Ensure that the host is connected to earth ground during normal use. Statement 39



Warning Use copper conductors only. Statement 1025



Warning Connect the unit only to DC power source that complies with the safety extra-low voltage (SELV) requirements in IEC 60950-1 based safety standards. Statement 1033



Warning This product requires short-circuit (overcurrent) protection, to be provided as part of the building installation. Install only in accordance with national and local wiring regulations. Statement 1045



Warning This product relies on the building's installation for short-circuit (overcurrent) protection. Ensure that the protective device is rated not greater than: 40A and between -40.5 VDC to -57.6 VDC. Statement 1005



Note For nominal voltage of -60 VDC, the input voltage range is from -50 to -72 VDC.



Warning This product relies on the building's installation for short-circuit (overcurrent) protection. Ensure that the protective device is rated not greater than: 10A-20A, 100-240 VAC~. Statement 1005



Warning A readily accessible two-poled disconnect device must be incorporated in the fixed wiring. Statement 1022



Warning This unit might have more than one power supply connection; all connections must be removed to de-energize the unit. Statement 1028



Caution Always use the supplied ESD wristband when working with a powered NCS 2006. For detailed instructions on how to wear the ESD wristband, see the [Electrostatic Discharge and Grounding Guide for Cisco NCS 2000 Series](#).

Procedure

- Step 1** Verify that the correct fuse and alarm panel is installed in the top mounting space:
- For a DC power supply, the fuse rating must not exceed 40A.
 - For an AC power supply, the fuse rating must not exceed 10A, 15A, or 20A. For North America, the branch circuit protection must be rated 20A. The overcurrent/short circuit protection must be in accordance with local and national electrical codes.
- Step 2** Depending on the shelf and the power module installed, complete the necessary task:
- Step 3** Connect the office ground to the NCS 2006 shelf. For detailed instructions on grounding, see the [Electrostatic Discharge and Grounding Guide for Cisco NCS 2000 Series](#).
- Step 4** Complete the [DLP-L22 Turning On and Verifying DC Office Power on the NCS 2006 Shelf, on page 17](#).
- Step 5** Continue with the [NTP-L11 Installing the Fan-Tray Assembly in the NCS 2006 Shelf](#).
- Stop. You have completed this procedure.**

DLP-L18 Connecting Office Power (AC) to the NCS 2006 Shelf

Purpose	This task connects AC power to the NCS 2006 shelf.
----------------	--

Tools/Equipment	<ul style="list-style-type: none"> • #2 Phillips Dynamometric screwdriver • Medium slot-head screwdriver • Small slot-head screwdriver • Wire wrapper • Wire cutters • Wire strippers • Crimp tool • Fuse panel • Ground cable 13.3-mm² (#6 AWG) stranded.
Prerequisite Procedures	<ul style="list-style-type: none"> • NTP-L2 Mounting the Brackets in ANSI Configuration. • NTP-L5 Opening and Removing the Standard Door of the NCS 2006 Shelf. • Connect the chassis to the office ground. For detailed instructions on how to ground the chassis, see the Electrostatic Discharge and Grounding Guide for Cisco NCS 2000 Series.
Required/As Needed	Required
Onsite/Remote	Onsite
Security Level	None



Note This product is intended for use on the TN and TT power systems.



Warning When installing or replacing the unit, the ground connection must always be made first and disconnected last. Statement 1046



Warning This equipment shall be connected to AC mains provided with a surge protective device (SPD) at the service equipment complying with NFPA 70, the National Electrical Code (NEC). Statement 7012



Caution The NCS 2006 relies on the protective devices in the building installation to protect against short circuit, overcurrent and ground faults. Ensure that the protective devices are properly rated and comply with national and local codes.



Note Not more than 7 feet (2 m) of the power supply cable should be exposed between the equipment and the fiber storage tray.

**Caution**

When terminating the frame ground, do not use soldering lug connectors, screwless (push-in) connectors, quick connect connectors, or other friction-fit connectors.

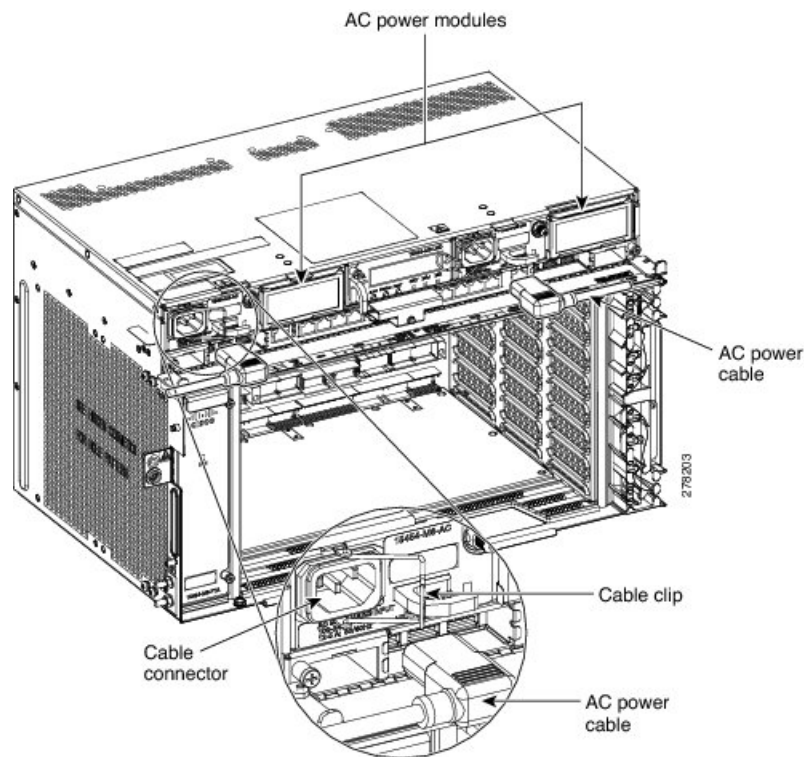
**Note**

If the system loses power or if both the TNC, TNCE, TSC, or TSCE cards are reset, you must reset the NCS 2006 clock. After powering down, the date defaults to January 1, 1970, 00:04:15. To reset the clock, see the “NTP-G24 Set Up Name, Date, Time, and Contact Information” procedure of the “Turn Up a Node” chapter in the *Cisco NCS 2000 Series Network Configuration Guide*.

Procedure

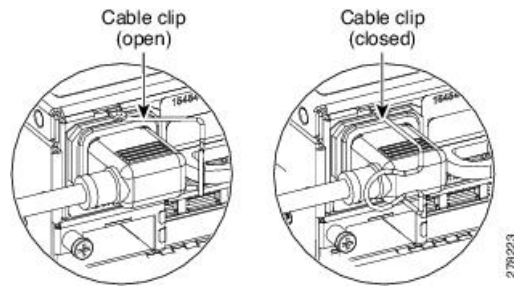
- Step 1** Verify that the AC power module is installed in Slot A or Slot B (or both) of the NCS 2006.
- Step 2** Attach the AC power cable to the cable connector in the AC power module (see the figure below).

Figure 1: Connecting Office Power—AC Power Modules



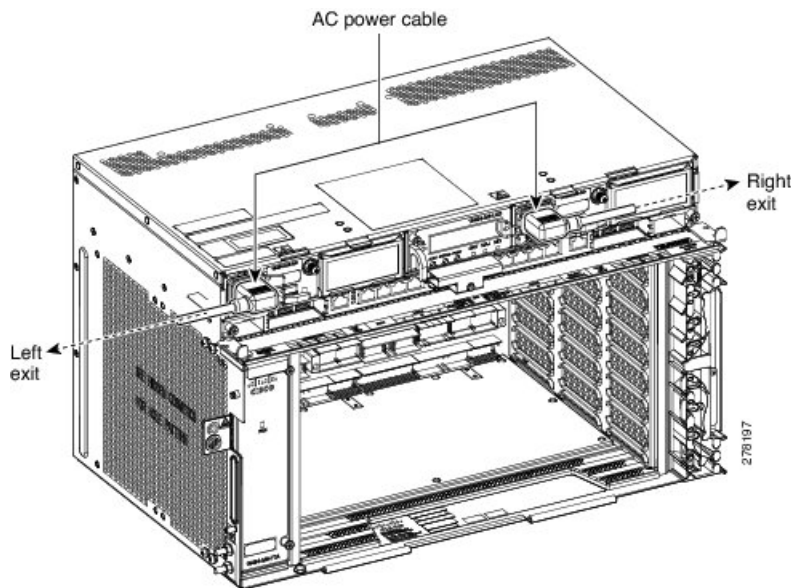
- Step 3** Close the cable clip to secure the power cable (see the figure below).

Figure 2: Cable Clip to Secure the Power Cable

**Note**

For Slot A power module, the power cable exits from the left side. For Slot B power module, the power cable exits from the right side (see the figure below).

Figure 3: Power Cable Exit



Step 4 Connect the power cable to the fuse panel or power source.

Note

The voltage rating value for AC power ranges between 100 VAC to 240 VAC depending on the standards in various countries.

Note

Turn on the power after installing the power cables.

Step 5 Return to your originating procedure (NTP).

Table 1: PIDs for AC Power Cables

Cable	PID
AC power cable - Japan left exit	15454-M-CBL-L-JPN=
AC power cable - Japan right exit	15454-M-CBL-R-JPN=

Cable	PID
AC power cable - China left exit	15454-M-CBL-L-CHI=
AC power cable - China right exit	15454-M-CBL-R-CHI=
AC power cable - India left exit	15454-M-CBL-L-IND=
AC power cable - India right exit	15454-M-CBL-R-IND=
AC power cable - EU left exit	15454-M-CBL-L-EU=
AC power cable - EU right exit	15454-M-CBL-R-EU=
AC power cable - ARG left exit	15454-M-CBL-L-ARG=
AC power cable - ARG right exit	15454-M-CBL-R-ARG=
AC power cable - AUS left exit	15454-M-CBL-L-AUS=
AC power cable - AUS right exit	15454-M-CBL-R-AUS=
AC power cable - UK left exit	15454-M-CBL-L-UK=
AC power cable - UK right exit	15454-M-CBL-R-UK=
AC power cable - KOR left exit	15454-M-CBL-L-KOR=
AC power cable - KOR right exit	15454-M-CBL-R-KOR=
AC2 power cable 110VAC left exit	15454-M-ACCBL2-L=
AC2 power cable 110VAC right exit	15454-M-ACCBL2-R=
AC2 power cable 220VAC left exit	15454-M-ACCBL2-L2=
AC2 power cable 220VAC right exit	15454-M-ACCBL2-R2=
AC power cable for data center left exit	15454-M-ACL6-L=
AC power cable for data center right exit	15454-M-ACL6-R=

DLP-L19 Connecting Office Power (DC) to the NCS 2006 Shelf (Only)

Purpose	This task connects DC power to the NCS 2006 (Only).
----------------	--

Tools/Equipment	<ul style="list-style-type: none"> • #2 Phillips Dynamometric screwdriver • Medium slot-head screwdriver • Small slot-head screwdriver • Wire wrapper • Wire cutters • Wire strippers • Crimp tool • Open-end wrench or hex tube screw driver • Fuse panel • Power cable (from fuse and alarm panel to assembly), #8 AWG, copper conductors, 194 degrees F (90 degrees C) • Ground cable #6 AWG stranded • Listed pressure dual-holes lugs suitable for #8 AWG copper conductors
Prerequisite Procedures	<ul style="list-style-type: none"> • NTP-L2 Mounting the Brackets in ANSI Configuration. • NTP-L5 Opening and Removing the Standard Door of the NCS 2006 Shelf. • Connect the chassis to the office ground. For detailed instructions on how to ground the chassis, see the Electrostatic Discharge and Grounding Guide for Cisco NCS 2000 Series .
Required/As Needed	Required
Onsite/Remote	Onsite
Security Level	None



Warning Statement 1046



Warning **Hazardous voltage or energy may be present on DC power terminals. Always replace cover when terminals are not in service. Be sure uninsulated conductors are not accessible when cover is in place.**
Statement 1075



Caution The NCS 2006 relies on the protective devices in the building installation to protect against short circuit, overcurrent, and ground faults. Ensure that the protective devices are properly rated and comply with national and local codes.



Note The battery return connection is treated as DC-I, as defined in Telcordia GR-1089-CORE Issue 5.

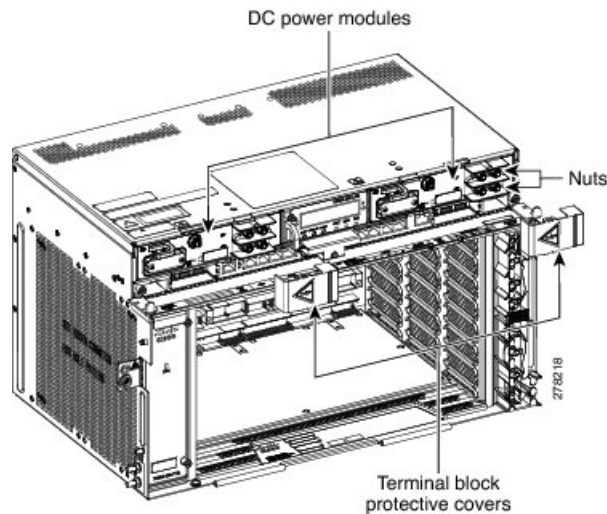


Note If the system loses power or both the TNC, TNCE, TSC, or TSCE cards are reset, and the system is not provisioned to get the time from a Network Time Protocol/Simple Network Time Protocol (NTP/SNTP) server, you must reset the NCS 2006 clock. After powering down, the date defaults to January 1, 1970, 00:04:15. To reset the clock, see the “NTP-G24 Set Up Name, Date, Time, and Contact Information” procedure of the “Turn Up a Node” chapter in the Cisco NCS 2002 and NCS 2006 Configuration Guide. If you are using the TNC, TNCE, TSC, or TSCE cards, the system clock will run for up to three hours. In this case, no action would be required.

Procedure

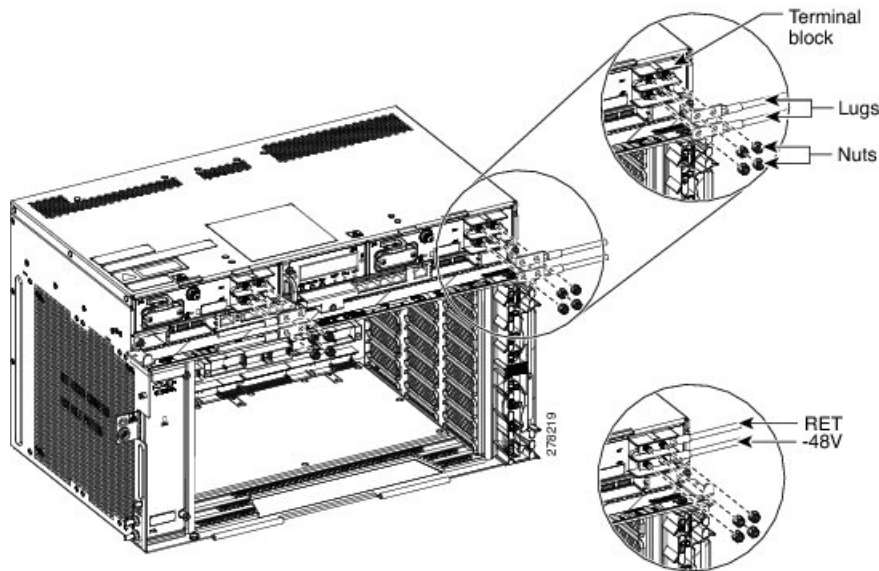
- Step 1** Connect the return cables of the power supply to the Earth ground located at the power supply side.
- Step 2** Connect the office power according to the fuse panel engineering specifications.
- Step 3** Measure and cut the cables as needed to reach the NCS 2006 from the fuse panel.
- Step 4** Address the power according to local site practice.
- Step 5** Strip 1/2 inch (12.7 mm) of insulation from all power cables that you will use.
- Step 6** Crimp the lugs onto the ends of all the power leads.
- Step 7** Verify that the DC power module is installed in Slot A or Slot B (or both) of the NCS 2006 shelf.
- Step 8** Remove the terminal block protective covers from the DC power modules (see the figure below).

Figure 4: Connecting Office Power—DC Power Modules (ANSI Only)



- Step 9** Unscrew the nuts from the terminal block (see the figure below).
- Step 10** Insert the lugs as shown in the figure below. The top cable is for RET and the bottom cable is for $-48\text{ V}/-60\text{ V}$.
- Step 11** Insert the lock washers and nuts to the terminal block (see the figure below). Tighten the nuts to a torque value of 20 in-lb (2.25 N-m).

Figure 5: Connecting Office Power—DC Power Modules (ANSI Only)



Step 12 Mount the terminal block protective covers on the DC power modules (see the figure below).

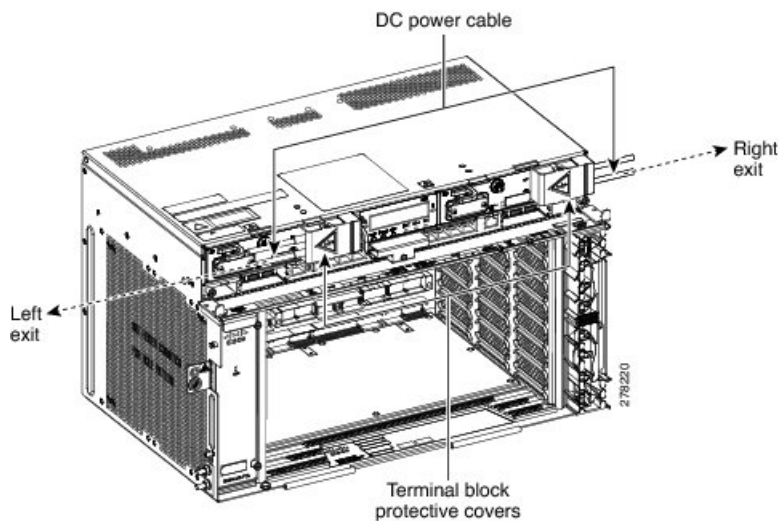
Note

For Slot A power module, the power cable exits from the left side. For Slot B power module, the power cable exits from the right side

Note

Use only pressure terminal connectors, such as ring and fork types, when terminating the battery, battery return, and frame ground conductors.

Figure 6: Connecting Office Power—DC Power Modules (ANSI Only)



Caution

Before you make any crimp connections, coat all bare conductors (battery, battery return, and frame ground) with an appropriate antioxidant compound. Bring all unplated connectors, braided strap, and bus bars to a bright finish, then coat with an antioxidant before you connect them. You do not need to prepare tinned,

solder-plated, or silver-plated connectors and other plated connection surfaces, but always keep them clean and free of contaminants.

Caution

When terminating power, return (RET), and frame ground, do not use soldering lug, screwless (push-in) connectors, quick-connect, or other friction-fit connectors.

Step 13 Return to your originating procedure (NTP).

DLP-L20 Connecting Office Power (DC) to the NCS 2006 Shelf (ETSI Only)

Purpose	This task connects power to the NCS 2006 shelf (ETSI Only).
Tools/Equipment	<ul style="list-style-type: none"> • #2 Phillips Dynamometric screwdriver • Medium slot-head screwdriver • Small slot-head screwdriver • Wire wrapper • Wire cutters • Wire strippers • Crimp tool • Fuse panel • Ground cable #6 AWG stranded. The PIDs of the power cables are listed in Table 2: PIDs for DC Power Cables, on page 15.
Prerequisite Procedures	<ul style="list-style-type: none"> • NTP-L2 Mounting the Brackets in ANSI Configuration. • NTP-L5 Opening and Removing the Standard Door of the NCS 2006 Shelf. • Connect the chassis to the office ground. For detailed instructions on how to ground the chassis, see the Electrostatic Discharge and Grounding Guide for Cisco NCS 2000 Series .
Required/As Needed	Required
Onsite/Remote	Onsite
Security Level	None



Warning When installing or replacing the unit, the ground connection must always be made first and disconnected last. Statement 1046



Warning Hazardous voltage or energy may be present on DC power terminals. Always replace cover when terminals are not in service. Be sure uninsulated conductors are not accessible when cover is in place. Statement 1075



Note The battery return connection is treated as DC-I, as defined in Telcordia GR-1089-CORE Issue 5.



Caution The NCS 2006 relies on the protective devices in the building installation to protect against short circuit, overcurrent, and ground faults. Ensure that the protective devices are properly rated and comply with national and local codes.

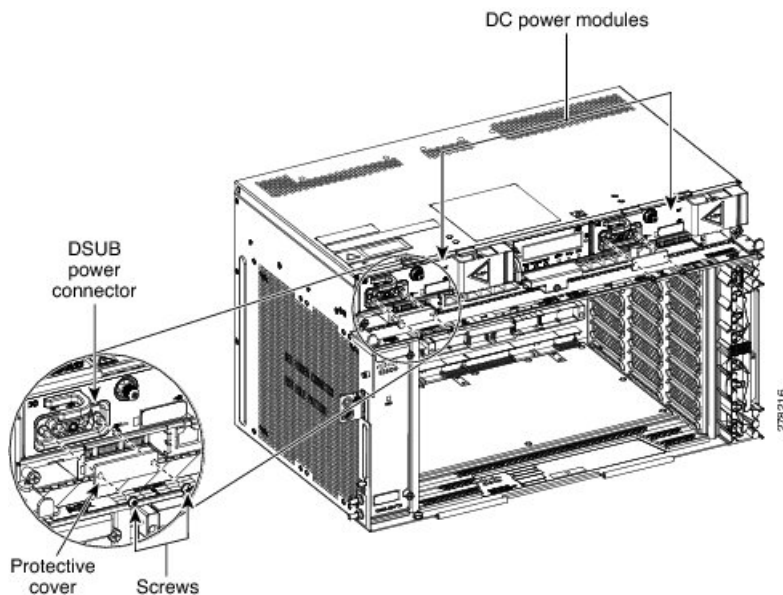


Note If the system loses power or both TNC, TNCE, TSC, or TSCE cards are reset and the system is not provisioned to get the time from a Network Time Protocol/Simple Network Time Protocol (NTP/SNTP) server, you must reset the NCS2006 clock. After powering down, the date defaults to January 1, 1970, 00:04:15. To reset the clock, see the “NTP-G24 Set Up Name, Date, Time, and Contact Information” procedure of the “Turn Up a Node” chapter in the Cisco 2002 and Cisco 2006 Configuration Guide. If you are using the TNC, TNCE, TSC, or TSCE cards, the system clock will run for up to three hours. In this case, no action would be required.

Procedure

- Step 1** Connect the return cables of the power supply to the Earth ground located at the power supply side.
- Step 2** Verify that the DC power module is installed in Slot A or Slot B (or both slots) of the NCS 2006.
- Step 3** Unscrew the screws to a torque value of 4 in-lb (0.45 N-m) to remove the protective covers from the DSUB power connector of the DC power modules (see the figure below).

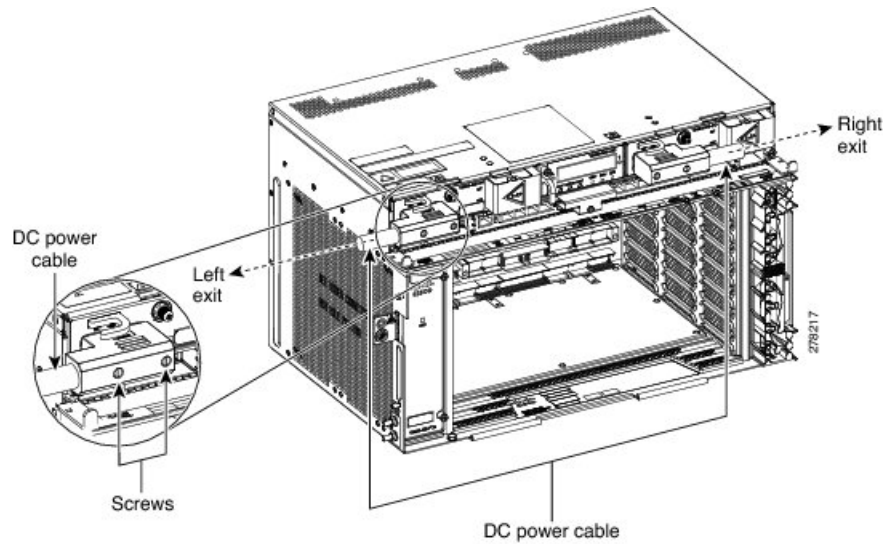
Figure 7: Connecting Office Power—DC Power Modules (ETSI Only)



- Step 4** Attach the DC ETSI power cable to the cable connector in the DC power module (see the figure below).

Step 5 Tighten the screws to a torque value of 4 in-lb (0.45 N-m) to secure the cable (see the figure below).

Figure 8: Connecting Office Power—DC Power Modules (ETSI Only)



Note

For slot A power module, use the left power cable NCS2006-DCCBL2-L, and for slot B use the right power cable NCS2006-DCCBL2-R. For slot A power module, the power cable exits from the left side. For slot B power module, the power cable exits from the right side

Note

Use only pressure terminal connectors, such as ring and fork types, when terminating the battery, battery return, and frame ground conductors.

Caution

Before you make any crimp connections, coat all bare conductors (battery, battery return, and frame ground) with an appropriate antioxidant compound. Bring all unplated connectors, braided strap, and bus bars to a bright finish, then coat with an antioxidant before you connect them. You do not need to prepare tinned, solder-plated, or silver-plated connectors and other plated connection surfaces, but always keep them clean and free of contaminants.

Caution

When terminating power, return, and frame ground, do not use soldering lug, screwless (push-in) connectors, quick-connect, or other friction-fit connectors.

Step 6 Return to your originating procedure (NTP).

Table 2: PIDs for DC Power Cables

Cable	PID
DC power cable for ETSI left exit	NCS2006-DCCBL2-L=
DC power cable for ETSI right exit	NCS2006-DCCBL2-R=

DLP-L21 Turning On and Verifying AC Office Power on the NCS 2006 Shelf

Purpose	This task turns on and verifies AC office power on the NCS 2006 shelf.
Tools/Equipment	Voltmeter
Prerequisite Procedures	<ul style="list-style-type: none"> • NTP-L2 Mounting the Brackets in ANSI Configuration. • NTP-L5 Opening and Removing the Standard Door of the NCS 2006 Shelf. • Connect the chassis to the office ground. For detailed instructions on how to ground the chassis, see the Electrostatic Discharge and Grounding Guide for Cisco NCS 2000 Series. • DLP-L18 Connecting Office Power (AC) to the NCS 2006 Shelf, on page 5
Required/As Needed	Required
Onsite/Remote	Onsite
Security Level	None



Caution Do not apply power to the shelf until you complete all the installation steps.



Warning To ensure safety of personnel and equipment, do not connect any power cables into the power module until the module is completely installed into the chassis. Statement 389



Warning To reduce the risk of electric shock, switch on the power only after the power cord is completely installed into the power module. Statement 390

Procedure

- Step 1** To power up the node, insert the fuse into the fuse position according to site practice. The fuse rating must not exceed 20A.
- Step 2** If the NCS 2006 does not power up, check the voltage at the power source using a voltmeter. The voltage should be 100 to 240 VAC +/-10 percent.
- Step 3** Return to your originating procedure (NTP).

DLP-L22 Turning On and Verifying DC Office Power on the NCS 2006 Shelf

Purpose	This task turns on the power and verifies correct power and returns on the NCS 2006 shelf.
Tools/Equipment	Voltmeter
Prerequisite Procedures	<ul style="list-style-type: none"> • NTP-L2 Mounting the Brackets in ANSI Configuration. • NTP-L5 Opening and Removing the Standard Door of the NCS 2006 Shelf. • Connect the chassis to the office ground. For detailed instructions on how to ground the chassis, see the Electrostatic Discharge and Grounding Guide for Cisco NCS 2000 Series . • DLP-L19 Connecting Office Power (DC) to the NCS 2006 Shelf (Only), on page 9 • DLP-L20 Connecting Office Power (DC) to the NCS 2006 Shelf (ETSI Only), on page 13
Required/As Needed	Required
Onsite/Remote	Onsite
Security Level	None



Caution Do not apply power to the shelf until you complete all the installation steps.



Warning To ensure safety of personnel and equipment, do not connect any power cables into the power module until the module is completely installed into the chassis. Statement 389



Warning To reduce the risk of electric shock, switch on the power only after the power cord is completely installed into the power module. Statement 390

Procedure

- Step 1** Using a voltmeter, verify the office battery and ground at the following points on the fuse and alarm panel:
- To verify the power, place the black test lead of the voltmeter to the frame ground. Place the red test lead on the A-side connection and verify that it is between -40.5 VDC and -72.0 VDC. Place the red test lead on the B-side connection and verify that it is between -40.5 VDC and -72.0 VDC.

Note

For nominal steady state voltage of -48 VDC, the operating voltage range for the chassis is -40.5 VDC (minimum) to -57.6 VDC (maximum). For nominal steady state voltage of -60 VDC, the operating voltage range for the chassis is -50.0 VDC (minimum) to -72.0 VDC (maximum).

- b) To verify the ground, place the black test lead of the voltmeter to the frame ground. Place the red test lead on the A-side return ground and verify that no voltage is present. Place the red test lead on the B-side return ground and verify that no voltage is present.

Step 2 To power up the node, insert the fuse into the fuse position according to site practice. The fuse rating must not exceed 40 A.

Step 3 Using a voltmeter, verify the NCS 2006 shelf for –48 VDC or –60 VDC battery and ground:

- a) To verify the A-side of the shelf, place the black lead of the voltmeter to the frame ground. Place the red test lead to the –48 V or –60 V (A-side battery connection) red cable. Verify that it reads between –40.5 VDC and –72.0 VDC. Then place the red test lead of the voltmeter to the RET1 (A-side return ground) black cable and verify that no voltage is present.

Note

For nominal steady state voltage of –48 VDC, the operating voltage range for the chassis is –40.5 VDC (minimum) to –57.6 VDC (maximum). For nominal steady state voltage of –60 VDC, the operating voltage range for the chassis is –50.0 VDC (minimum) to –72.0 VDC (maximum).

- b) To verify the B-side of the shelf, place the black test lead of the voltmeter to the frame ground. Place the red test lead to the –48 V (B-side battery connection) red cable. Verify that it reads between –40.5 VDC and –72.0 VDC. Then place the red test lead of the voltmeter to the RET2 (B-side return ground) black cable and verify that no voltage is present.

Note

If the NCS 2006 shelf is being powered at –60 VDC nominal voltage, the door must be kept closed during regular operation.

Step 4 Return to your originating procedure (NTP).
