



CHAPTER 14

Maintain the Node

This chapter provides procedures for maintaining the Cisco ONS 15600 SDH.

Before You Begin

Before performing any of the following procedures, investigate all alarms and clear any trouble conditions. Refer to the *Cisco ONS 15600 SDH Troubleshooting Guide* as necessary. This section lists the chapter procedures (NTPs). Turn to a procedure to view its tasks (DLPs).

1. [NTP-F220 Inspect and Maintain the Air Filter, page 14-2](#)—Complete as needed.
2. [NTP-F221 Back Up the Database, page 14-4](#)—Complete as needed.
3. [NTP-F222 Restore the Database, page 14-6](#)—Complete as needed.
4. [NTP-F223 View and Manage OSI Information, page 14-7](#)—Complete as needed.
5. [NTP-F224 Restore the Node to Factory Configuration, page 14-8](#)—Complete as needed.
6. [NTP-F225 Initiate an External Switching Command on an Optical Protection Group, page 14-9](#)—Complete as needed.
7. [NTP-F226 Initiate an External Switching Command on an SNCP Circuit, page 14-10](#)—Complete as needed.
8. [NTP-F227 Initiate an External Switching Command on an MS-SPRing, page 14-11](#)—Complete as needed.
9. [NTP-F228 View Audit Trail Records, page 14-12](#)—Complete as needed.
10. [NTP-F229 Off-Load the Audit Trail Record, page 14-14](#)—Complete as needed.
11. [NTP-F230 Off-Load the Diagnostics File, page 14-15](#)—Complete as needed.
12. [NTP-F231 Clean Fiber Connectors and Adapters, page 14-16](#)—Complete as needed.
13. [NTP-F232 Perform a Soft-Reset Using CTC, page 14-17](#)—Complete as needed.
14. [NTP-F233 Perform a Hard-Reset Using CTC, page 14-17](#)—Complete as needed.
15. [NTP-F234 Change the Node Timing Reference, page 14-18](#)—Complete as needed.
16. [NTP-F235 View the ONS 15600 SDH Timing Report, page 14-19](#)—Complete as needed.
17. [NTP-F236 Replace an SSSC Card, page 14-22](#)—Complete as needed.
18. [NTP-F237 Replace an STM-16 or STM-64 Card, page 14-23](#)—Complete as needed.
19. [NTP-F238 Replace a 4PIO or 1PIO in the ASAP Card, page 14-25](#)—Complete as needed.

20. [NTP-F239 Replace a TSC Card, page 14-27](#)—Complete as needed.
21. [NTP-F240 Replace a Fan Tray, page 14-28](#)—Complete as needed.
22. [NTP-F241 Replace the Customer Access Panel, page 14-29](#)—Complete as needed.
23. [NTP-F242 Remove a Power Distribution Unit, page 14-31](#)—Complete as needed.
24. [NTP-F243 Replace the Power Distribution Unit, page 14-33](#)—Complete as needed.
25. [NTP-F244 Edit Network Element Defaults, page 14-34](#)—Complete as needed to edit the factory-configured (default) network element settings for the Cisco ONS 15600 SDH.
26. [NTP-F245 Import Network Element Defaults, page 14-35](#)—Complete as needed to import the factory-configured (default) network element settings for the Cisco ONS 15600 SDH.
27. [NTP-F246 Export Network Element Defaults, page 14-36](#)—Complete as needed to export the factory-configured (default) network element settings for the Cisco ONS 15600 SDH.

**Note**

The battery return connection is treated as DC-I, as defined in Telcordia GR-1089-CORE issue 4.

NTP-F220 Inspect and Maintain the Air Filter

Purpose	This procedure explains how to inspect and maintain reusable fan tray air filters.
Tools/Equipment	New air filter and pinned hex key
Prerequisite Procedures	None
Required/As Needed	As needed
Onsite/Remote	Onsite
Security Level	None

**Note**

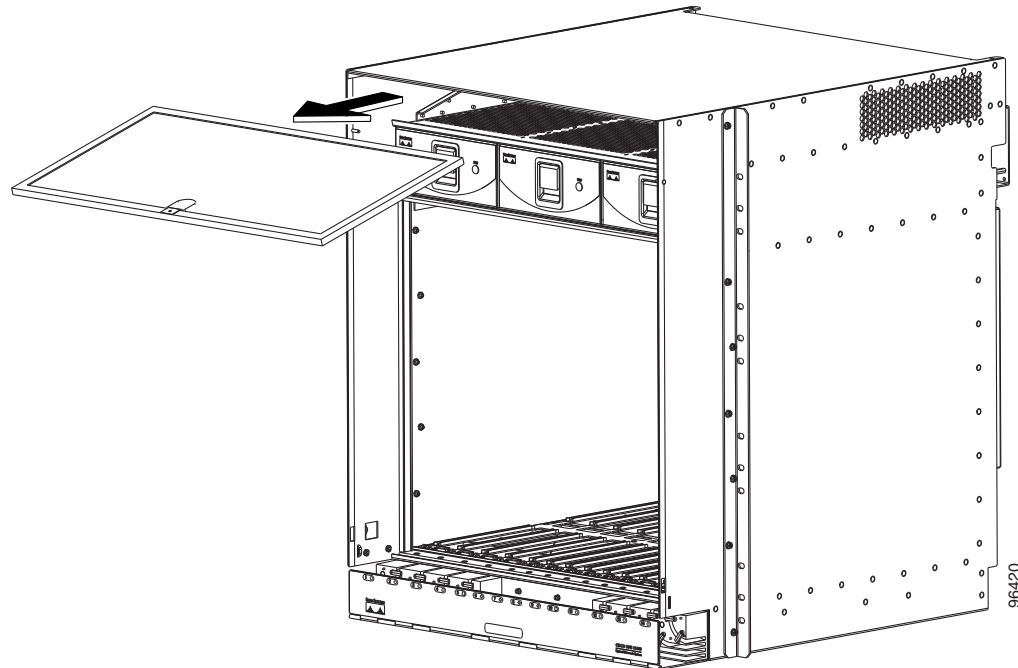
The fan filters are single-use only. They must not be cleaned and reused. This is a Telcordia NEBS requirement, GR-63-CORE Issue 4.

**Note**

Air filters must be inspected every month. If they are dirty or clogged with dust, they must be replaced with a new air filter.

- Step 1** Remove the front door of the shelf assembly by completing the following substeps. If the front door is already removed, continue with [Step 2](#).
- a. Locate the latches on the bottom left and right sides of the door.
 - b. Pull each latch outward to release the latch.
 - c. Swing the door up to open it.
 - d. Lift the door off its hinge pins and remove it. Set the door aside so you can reinstall it after you complete this procedure.
- Step 2** Gently remove the air filter from the shelf assembly ([Figure 14-1](#)). Be careful not to dislodge any dust that may have collected on the filter.

Figure 14-1 Removing a Reusable Air Filter (Front Door Removed)



Step 3 Visually inspect the white filter material for dirt and dust.

Step 4 Replace the air filter with a new one if the air filter is dirty or clogged with dust.



Caution

Do not leave the fan tray out of the chassis for an extended period of time because excessive heat can damage the ONS 15600 SDH cards.

Step 5 Reinstall the front door of the shelf assembly:

- a. Insert the front door (removed in [Step 1](#)) into the hinge pins on the shelf assembly.
- b. Lower the door onto the face of the shelf assembly.
- c. Pull the metal latches on the door outward and gently push the door toward the shelf, making sure no optical cables are caught or pinched in the door.
- d. Click the latches in place and release.

Stop. You have completed this procedure.

NTP-F221 Back Up the Database

Purpose	This procedure stores a backup version of the CTC software database on a workstation running CTC or on a network server. Cisco recommends performing a database backup at approximately weekly intervals and prior to and after configuration changes.
Tools/Equipment	None
Prerequisite Procedures	NTP-F118 Install the Common Control Cards, page 2-2
Required/As Needed	Required
Onsite/Remote	Onsite or remote
Security Level	Superuser only


Note

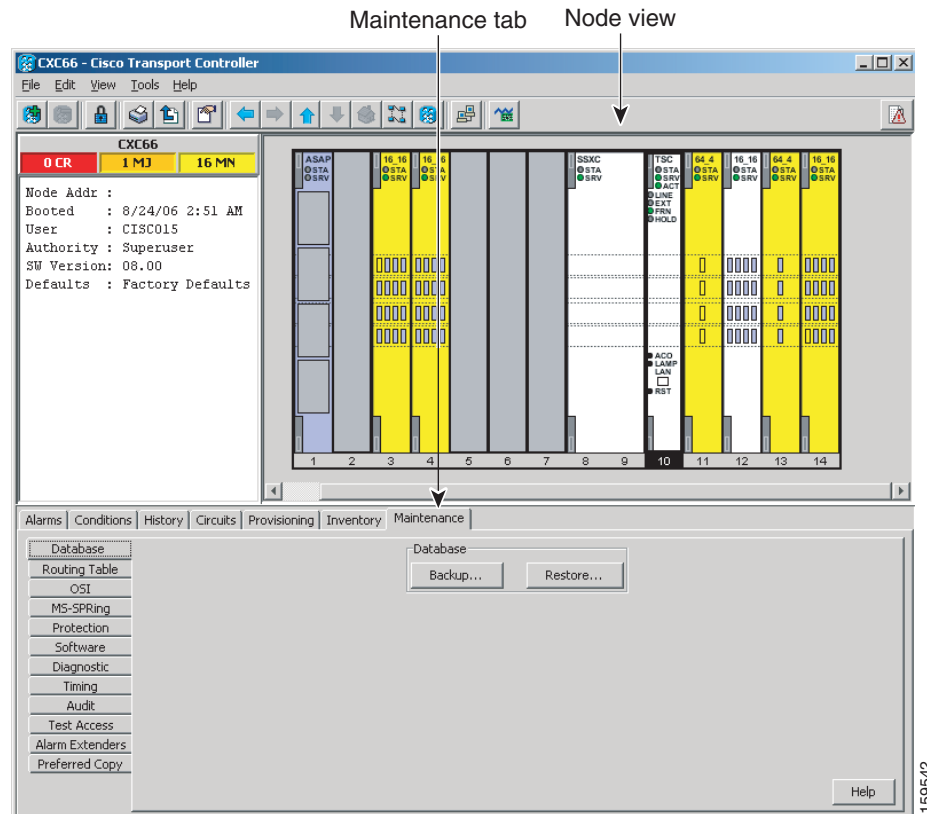
You must back up and restore the database for each node on a circuit path in order to maintain a complete circuit.


Note

The following parameters are not backed up and restored: node name, IP address, subnet mask and gateway, and Internet Inter-ORB Protocol (IIOP) port. If you change the node name and then restore a backed up database with a different node name, the circuits map to the new node name. Cisco recommends keeping a record of the old and new node names.

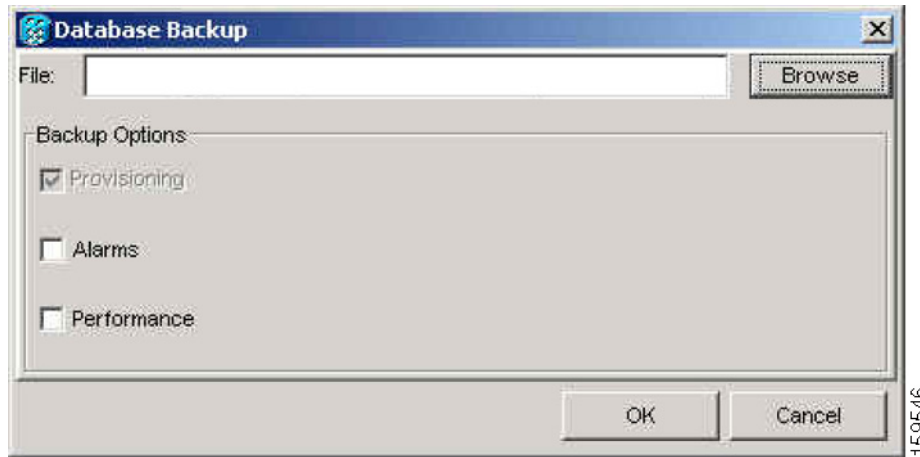
-
- Step 1** Complete the “[DLP-F181 Log into CTC](#)” task on page 16-34 at the node you want to back up. If you are already logged in, continue with [Step 2](#).
- Step 2** In node view, click the **Maintenance > Database** tabs. ([Figure 14-2](#)).

Figure 14-2 Backing Up the TSC Database



- Step 3** Click **Backup**.
- Step 4** In the Database Backup window, click **Browse**. Repeat for the next Database Backup window.
- Step 5** In the Save window, navigate to a local PC directory or network directory and enter a database name (such as database.db) in the File name field.
- Step 6** Click **Save**.
- Step 7** In the Database Backup window, click the **Alarms** check box and/or **Performance** check box if you want to backup these database items in addition to provisioning information (Figure 14-3).

Figure 14-3 Database Filename Entered and Backup Options Checked



Note Provisioning is a default component of the backup file.

- Step 8** Click **OK**.
- Step 9** If you are overwriting an existing file, click **OK** in the confirmation dialog box.
- Step 10** Click **OK** in the Database Backup window.
- Stop. You have completed this procedure.**

NTP-F222 Restore the Database

Purpose	This procedure restores the TSC software database.
Tools/Equipment	None
Prerequisite Procedures	NTP-F221 Back Up the Database, page 14-4
Required/As Needed	As needed
Onsite/Remote	Onsite or remote
Security Level	Superuser only



Caution

Restoring an out-of-date database or a database from a different node might affect the service. Any provisioning data that currently exists on the node, but not present in the database file being restored, will be deleted.



Note

The following parameters are not backed up and restored: Node name, subnet mask and gateway, and IIOP port. If you change the node name and then restore a backed up database with a different node name, the circuits will map to the new renamed node. Cisco recommends keeping a record of the old and new node names.



Note You need separate backups for each node in a circuit path to be able to restore the entire circuit.



Note If you want to revert to a previously loaded software version, refer to the platform-specific upgrade document for instructions.

- Step 1** Complete the “[DLP-F181 Log into CTC](#)” task on page 16-34 at the node where you are performing the database restore. If you are already logged in, continue with [Step 2](#).
- Step 2** In node view, click the **Maintenance > Database** tabs.
- Step 3** Click **Restore**.
- Step 4** In the Database Restore window, click the **Alarms** check box and/or **Performance** check box to choose these database items in addition to provisioning information.



Note You can back up five databases as part of one back up file package; therefore the 15600 SDH allows you to select all of the files or a subset of the files to restore as part of the restore package.

- Step 5** In the Database Restore window, click **Browse**.
- Step 6** Navigate to the backup file stored on the workstation hard drive or on network storage.
- Step 7** Click the database file to highlight it.
- Step 8** Click **Open**. The Database Restore dialog box appears.
- Step 9** Click **Restore**.
- The Database Restore window monitors the file transfer. Wait for the file to complete the transfer to the TSC.
- Step 10** Click **OK** in the Lost connection to node, changing to Network View dialog box. Wait for the node to reconnect.

Stop. You have completed this procedure.

NTP-F223 View and Manage OSI Information

Purpose	This procedure allows you to view and manage OSI including the ES-IS and IS-IS routing information bases, TARP data cache, and manual area table.
Tools/Equipment	None
Prerequisite Procedures	NTP-F221 Back Up the Database, page 14-4 NTP-F143 Provision OSI, page 4-14
Required/As Needed	As needed
Onsite/Remote	Onsite or remote
Security Level	Provisioning or higher

**Note**

Refer to the “Management Network Connectivity” chapter of the *Cisco ONS 15600 SDH Reference Manual* for additional information about OSI.

- Step 1** Complete the “[DLP-F181 Log into CTC](#)” task on page 16-34. If you are already logged in, continue with Step 2.
- Step 2** Perform any of the following tasks as needed:
- [DLP-F376 View IS-IS Routing Information Base](#), page 18-86
 - [DLP-F377 View ES-IS Routing Information Base](#), page 18-87
 - [DLP-F378 Manage the TARP Data Cache](#), page 18-87

Stop. You have completed this procedure.

NTP-F224 Restore the Node to Factory Configuration

Purpose	This procedure reinitializes the ONS 15600 SDH using the CTC reinitialization tool. Reinitialization uploads a new software package to the control card, clears the node database, and restores the factory default parameters.
Tools/Equipment	Cisco ONS 15600 SDH System Software CD, Version 8.0.x JRE 5.0 must be installed on the computer to log into a Software R8.0node when reinitialization is complete. The reinitialization tool can run on JRE 1.3.1_02, JRE 1.4.2, or JRE 5.0.
Prerequisite Procedures	NTP-F221 Back Up the Database , page 14-4 NTP-F126 Set Up Computer for CTC , page 3-1 One of the following: <ul style="list-style-type: none"> • NTP-F127 Set Up CTC Computer for Local Craft Connection to the ONS 15600 SDH, page 3-3 or • NTP-F128 Set Up a CTC Computer for a Corporate LAN Connection to the ONS 15600 SDH, page 3-4
Required/As Needed	As needed
Onsite/Remote	Onsite
Security Level	Superuser only

**Caution**

Cisco strongly recommends that you keep different node databases in separate folders. This is because the reinit tool chooses the first product-specific database in the specified directory if you use the Search Path field instead of the Package and Database fields. You may accidentally copy an incorrect database if multiple databases are kept in the specified directory.

**Caution**

Restoring a node to the factory configuration deletes all cross-connects on the node.

**Caution**

Cisco recommends that you take care to save the node database to safe location if you are not restoring the node using the database provided on the software CD.

**Note**

The following parameters are not backed up and restored when you delete the database and restore the factory settings: node name, IP address, subnet mask and gateway, and IOP port. If you change the node name and then restore a backed up database with a different node name, the circuits map to the new renamed node. Cisco recommends keeping a record of the old and new node names.

- Step 1** If you are using Microsoft Windows, complete the [“DLP-F278 Use the Reinitialization Tool to Clear the Database and Upload Software \(Windows\)”](#) task on page 17-69.
- Step 2** If you are using UNIX, complete the [“DLP-F323 Use the Reinitialization Tool to Clear the Database and Upload Software \(UNIX\)”](#) task on page 18-21.

Stop. You have completed this procedure.

NTP-F225 Initiate an External Switching Command on an Optical Protection Group

Purpose	This procedure describes how apply an external switching command (Force, Manual, lock on or lockout) to an optical protection group.
Tools/Equipment	None
Prerequisite Procedures	NTP-F138 Create a 1+1 Protection Group, page 4-10
Required/As Needed	As needed
Onsite/Remote	Onsite or remote
Security Level	Provisioning or higher

**Note**

If you choose a Manual switch, the command will switch traffic only if the path has an error rate less than the signal degrade bit error rate threshold. A Force switch will switch traffic even if the path has SD or SF conditions. A Force switch has a higher priority than a Manual switch. Lockouts can only be applied to protect cards; they prevent traffic from switching to the protect port under any circumstance. Lock outs have the highest priority. A lock on can be applied to the working port; it prevents traffic from switching to the protect port in the protection group.

- Step 1** Complete the [“DLP-F181 Log into CTC”](#) task on page 16-34 at the node where you want to inhibit 1+1 group protection switching. If you are already logged in, continue with Step 2.
- Step 2** Complete the [“DLP-F238 Initiate a Manual Switch on a Port in a 1+1 Protection Group”](#) task on page 17-31 as needed.
- Step 3** Complete the [“DLP-F239 Initiate a Force Switch on a Port in a 1+1 Protection Group”](#) task on page 17-32 as needed.

- Step 4** Complete the “[DLP-F295 Clear a Manual or Force Switch in a 1+1 Protection Group](#)” task on [page 17-86](#) as needed.
- Step 5** To prevent traffic on a working port from switching to the protect port, complete the “[DLP-F240 Apply a Lock On in a 1+1 Group](#)” task on [page 17-33](#).
- Step 6** To prevent working traffic from switching to the protect port, complete the “[DLP-F241 Apply a Lockout in a 1+1 Group](#)” task on [page 17-34](#) to lockout the protect port.
- Step 7** Complete the “[DLP-F296 Clear a Lock On or Lockout in a 1+1 Protection Group](#)” task on [page 17-86](#) as needed.



Note Refer to the “Card Protection” chapter in the *Cisco ONS 15600 SDH Reference Manual* for a description of protection switching and switch state priorities.

Stop. You have completed this procedure.

NTP-F226 Initiate an External Switching Command on an SNCP Circuit

Purpose	This procedure initiates a Manual, Force, or lockout switch on a subnetwork connection protection ring (SNCP) circuit.
Tools/Equipment	None
Prerequisite Procedures	NTP-F152 Provision SNCP Nodes, page 5-13
Required/As Needed	As needed
Onsite/Remote	Onsite or remote
Security Level	Provisioning or higher



Note A Manual switch will switch traffic if the path has an error rate less than the signal degrade. A Force switch will switch traffic even if the path has signal degrade (SD) or signal fail (SF) conditions. A Force switch has a higher priority than a Manual switch. Lockouts prevent traffic from switching under any circumstance and have the highest priority.



Note This procedure switches traffic on a single SNCP circuit; to switch all circuits on a span, see the “[DLP-F235 Switch All SNCP Circuits on a Span](#)” task on [page 17-29](#).

- Step 1** Complete the “[DLP-F181 Log into CTC](#)” task on [page 16-34](#) at the node where you want to switch traffic on a SNCP circuit. If you are already logged in, continue with Step 2.
- Step 2** Complete the “[DLP-F242 Initiate a Manual Switch on an SNCP Circuit](#)” task on [page 17-35](#) as needed.
- Step 3** Complete the “[DLP-F243 Initiate a Force Switch to an SNCP Circuit](#)” task on [page 17-35](#) as needed.
- Step 4** Complete the “[DLP-F297 Initiate a Lockout on an SNCP Path](#)” task on [page 17-87](#) to prevent traffic from switching to the protect path.
- Step 5** Complete the “[DLP-F298 Clear a Switch or Lockout on an SNCP Circuit](#)” task on [page 17-88](#) as needed.



Note Refer to the *Cisco ONS 15600 SDH Reference Manual* for a description of protection switching and switch state priorities.

Stop. You have completed this procedure.

NTP-F227 Initiate an External Switching Command on an MS-SPRing

Purpose	This procedure initiates and clears multiplex section-shared protection ring (MS-SPRing) manual ring switches and MS-SPRing force ring switches. A Manual switch will switch traffic if the path has an error rate less than the signal degrade. A Force switch will switch traffic even if the path has SD or SF conditions. A Force switch has a higher priority than a Manual switch.
Tools/Equipment	None
Prerequisite Procedures	NTP-F147 Provision MS-SPRing Nodes, page 5-6
Required/As Needed	As needed
Onsite/Remote	Onsite or remote
Security Level	Provisioning or higher

-
- Step 1** Complete the “[DLP-F181 Log into CTC](#)” task on page 16-34 at the node where you want to switch traffic on a SNCP circuit. If you are already logged in, continue with Step 2.
- Step 2** Complete the “[DLP-F344 Initiate an MS-SPRing Manual Ring Switch](#)” task on page 18-47 as needed.
- Step 3** Complete the “[DLP-F345 Clear an MS-SPRing Manual Ring Switch](#)” task on page 18-48 as needed.
- Step 4** Complete the “[DLP-F347 Initiate an MS-SPRing Force Ring Switch](#)” task on page 18-50 as needed.
- Step 5** Complete the “[DLP-F282 Clear an MS-SPRing Force Ring Switch](#)” task on page 17-74 as needed.

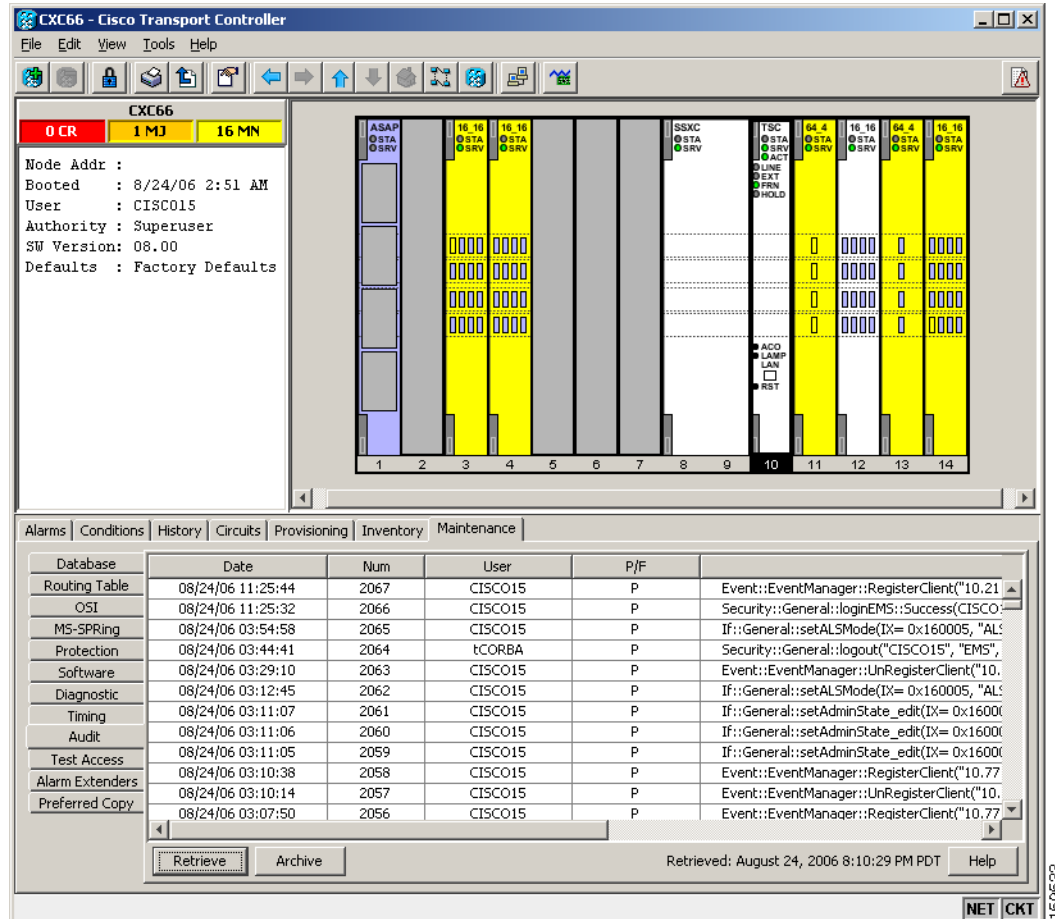
Stop. You have completed this procedure.

NTP-F228 View Audit Trail Records

Purpose	This procedure explains how to view audit trail records. Audit trail records are useful for maintaining security, recovering lost transactions, and enforcing accountability. Accountability refers to tracing user activities; that is, associating a process or action with a specific user.
Tools/Equipment	None
Prerequisite Procedures	None
Required/As Needed	As needed
Onsite/Remote	Onsite or remote
Security Level	Provisioning

-
- Step 1** Complete the “[DLP-F181 Log into CTC](#)” task on page 16-34 at the node where you want to view the audit trail log. If you are already logged in, continue with [Step 2](#).
- Step 2** In the node view, click the **Maintenance > Audit** tabs.
- Step 3** Click **Retrieve**.
- A window containing the most recent Audit Trail records appears as shown in [Figure 14-4](#).

Figure 14-4 Viewing the Audit Trail Records



A definition of each column in the Audit Trail log is listed in Table 14-1.

Table 14-1 Audit Trail Column Definitions

Column	Definition
Date	Date when the action occurred in the format MM/dd/yy HH:mm:ss
Num	Incrementing count of actions
User	User ID that initiated the action
P/F	Pass/Fail (that is, whether or not the action was executed)
Operation	Action that was taken

Right-click on the column headings to display the list in ascending-to-descending or descending-to-ascending order.

Left-click on the column heading to display the following options:

- Reset Sorting—Resets the column to the default setting
- Hide Column—Hides the column from view
- Reset Columns Order/Visibility—Displays all hidden columns

- Row Count—Provides a numerical count of log entries

Shift-click on the column heading for an incremental sort of the list.

Stop. You have completed this procedure.

NTP-F229 Off-Load the Audit Trail Record

Purpose	This procedure describes how to off-load up to 640 audit trail log entries to a local or network drive file to maintain a record of actions performed for the node. If the audit trail log is not off-loaded, the oldest entries are overwritten after the log reaches capacity.
Tools/Equipment	None
Prerequisite Procedures	None
Required/As Needed	As needed
Onsite/Remote	Onsite or remote
Security Level	Provisioning

Step 1 Complete the “[DLP-F181 Log into CTC](#)” task on page 16-34 at the node where you want to off-load the audit trail log. If you are already logged in, continue with [Step 2](#).

Step 2 In the node view, click the **Maintenance > Audit** tabs.

Step 3 Click **Retrieve**.

Step 4 Click **Archive**.

Step 5 In the Archive Audit Trail dialog box, navigate to the directory (local or network) where you want to save the file.

Step 6 Enter a name in the File Name field.

You do not have to give the archive file a particular extension. It is readable in any application that supports text files, such as WordPad, Microsoft Word (imported), etc.

Step 7 Click **Save**.

640 entries are saved in this file. The next entries continue with the next number in the sequence, rather than starting over.



Note Archiving does not delete entries from the CTC audit trail log. However, entries can be self-deleted by the system after the log maximum is reached. If you archived the entries, you cannot reimport the log file back into CTC and will have to view the log in a different application.

Stop. You have completed this procedure.

NTP-F230 Off-Load the Diagnostics File

Purpose	This procedure describe how to off-load a diagnostic file. The diagnostic file contains a set of debug commands run on a node and its results. This file is useful to TAC when troubleshooting problems with the node.
Tools/Equipment	None
Prerequisite Procedures	None
Required/As Needed	As needed
Onsite/Remote	Onsite or remote
Security Level	Maintenance

-
- Step 1** Complete the “[DLP-F181 Log into CTC](#)” task on page 16-34 at the node where you want to off-load the audit trail log. If you are already logged in, continue with [Step 2](#).
- Step 2** In the node view, click the **Maintenance > Diagnostic** tabs.
- Step 3** Click **Retrieve Tech Support Log**.
- Step 4** In the Saving Diagnostic File dialog box, navigate to the directory (local or network) where you want to save the file.
- Step 5** Enter a name in the File Name field.
- You do not have to give the archive file a particular extension. It is a compressed file (gzip) that can be unzipped and read by Cisco Technical Support.
- Step 6** Click **Save**.
- The Get Diagnostics status window shows a progress bar indicating the percentage of the file being saved, then shows “Get Diagnostics Complete.”
- Step 7** Click **OK**.
- Stop. You have completed this procedure.**
-

NTP-F231 Clean Fiber Connectors and Adapters

Purpose	This procedure cleans the fiber connectors and adapters.
Tools/Equipment	<p>Inspection microscope (suggested: Westover FBP-CIS-1)</p> <p>Scrub tool</p> <p>Grounding strap</p> <p>Wipes</p> <p>Rinse tool</p> <p>HFE-based cleaning fluid and pump head assembly</p> <p>Replacement scrub tool wipes</p> <p>Replacement rinse tool absorbent pads</p> <p>Desktop hand tool</p> <p>Pen-type hand tool</p> <p>3M high-performance fiber-optic wipes</p> <p>Empty disposable container</p> <p>Canned air</p>
Prerequisite Procedures	None
Required/As Needed	Required
Onsite/Remote	Onsite
Security Level	None



Warning

Invisible laser radiation may be emitted from disconnected fibers or connectors. Do not stare into beams or view directly with optical instruments. Statement 1051



Caution

Follow established site safety practices when working with any laser equipment.

Step 1 Using an inspection microscope, inspect each fiber connector for dirt, cracks, or scratches.

Step 2 Replace any damaged fiber connectors.



Note Replace all dust caps whenever the equipment is unused for 30 minutes or more.

Step 3 Complete the [“DLP-F245 Clean Fiber Connectors”](#) task on page 17-37 as necessary.

Step 4 Complete the [“DLP-F246 Clean the Fiber Adapters”](#) task on page 17-39 as necessary.



Caution

Do not reuse the optical swabs. Keep unused swabs off of work surfaces.

Stop. You have completed this procedure.

NTP-F232 Perform a Soft-Reset Using CTC

Purpose	This procedure resets an active card and switches the node to the redundant card using a soft reset.
Tools/Equipment	None
Prerequisite Procedures	NTP-F118 Install the Common Control Cards, page 2-2
Required/As Needed	As needed
Onsite/Remote	Onsite or remote
Security Level	Superuser only



Warning

Do not reach into a vacant slot or chassis while you install or remove a module or a fan. Exposed circuitry could constitute an energy hazard. Statement 206



Note

Before you reset the card, you should wait at least 60 seconds after the last provisioning change you made to avoid losing any changes to the database.

- Step 1** Complete the [“DLP-F181 Log into CTC” task on page 16-34](#) at the node where you want to perform the card reset. If you are already logged in, continue with [Step 2](#).
- Step 2** In node view, right-click the appropriate card to reveal a drop-down list.
- Step 3** Click **Soft-Reset Card**.
- Step 4** Click **Yes** in the “Are you sure you want to soft-rest this card?” dialog box.
- Step 5** Click **OK** in the “Lost connection to node, changing to Network View” dialog box.



Note

For LED behavior during a TSC/SSXC reboot, see [Table 2-1 on page 2-3](#).

Stop. You have completed this procedure.

NTP-F233 Perform a Hard-Reset Using CTC

Purpose	This procedure resets the active card (TSC, SSXC, optical, ASAP) and switches the node to the redundant card using a hard reset.
Tools/Equipment	None
Prerequisite Procedures	NTP-F118 Install the Common Control Cards, page 2-2
Required/As Needed	As needed
Onsite/Remote	Onsite or remote
Security Level	Superuser only

**Warning**

Do not reach into a vacant slot or chassis while you install or remove a module or a fan. Exposed circuitry could constitute an energy hazard. Statement 206

**Note**

The hard-reset option is enabled only when the card is placed in the locked-enabled, maintenance service state.

**Note**

Before you reset the TSC, you should wait at least 60 seconds after the last provisioning change you made to avoid losing any changes to the database.

- Step 1** Complete the “[DLP-F181 Log into CTC](#)” task on [page 16-34](#) at the node where you want to perform the TSC card reset. If you are already logged in, continue with [Step 2](#).
- Step 2** In node view click the **Inventory** tab. Locate the appropriate card in the inventory list.
- Step 3** Click the **Admin State** drop-down list and select **locked, maintenance**. Click **Apply**.
- Step 4** Click **Yes** in the “Action may be service affecting. Is it OK to apply the changes?” dialog box.
- Step 5** The service state of the card becomes locked-enabled, maintenance. The card’s faceplate appears blue in CTC and the SRV LED turns amber.
- Step 6** Right-click the card to reveal a pop-up menu.
- Step 7** Click **Hard-reset Card**.
- Step 8** Click **Yes** in the “Are you sure you want to hard-reset this card?” dialog box.
- Step 9** If you hard-reset the active TSC, click **OK** in the “Lost connection to node, changing to Network View” dialog box.

**Note**

For LED behavior during a TSC reboot, see [Table 2-1 on page 2-3](#).

Stop. You have completed this procedure.

NTP-F234 Change the Node Timing Reference

Purpose	This procedure switches the node timing reference to enable maintenance on a timing reference or returning the node timing to normal operation.
Tools/Equipment	None
Prerequisite Procedures	NTP-F137 Set Up Timing, page 4-9
Required/As Needed	As needed
Onsite/Remote	Onsite or Remote
Security Level	Maintenance or higher

-
- Step 1** Complete the “[DLP-F181 Log into CTC](#)” task on page 16-34 at the node where you want to change the node timing reference. If you are already logged in, continue with Step 2.
- Step 2** Complete the “[DLP-F259 Manual Switch the Node Timing Reference](#)” task on page 17-52 as needed.
- Step 3** Complete the “[DLP-F260 Clear a Manual Switch on a Node Timing Reference](#)” task on page 17-53 as needed.
- Stop.** You have completed this procedure.
-

NTP-F235 View the ONS 15600 SDH Timing Report

Purpose	This procedure displays the current status of the ONS 15600 SDH timing references.
Tools/Equipment	None
Prerequisite Procedures	NTP-F137 Set Up Timing, page 4-9
Required/As Needed	As needed
Onsite/Remote	Onsite or remote
Security Level	Retrieve or higher

-
- Step 1** Complete the “[DLP-F181 Log into CTC](#)” task on page 16-34 at the node where you want to view the node timing status. If you are already logged in, continue with [Step 2](#).
- Step 2** Click the **Maintenance > Timing > Report** tabs.
- Step 3** In the Timing Report area, you can view node timing information. The date and time of the report appear at the top of the report. [Table 14-2](#) describes the report fields and entries.
- Step 4** To update the report, click **Refresh**.

Table 14-2 ONS 15600 SDH Timing Report

Item	Description	Option	Option Description
Clock	Indicates the timing clock. The report section that follows applies to the timing clock indicated.	NE	The node timing clock.
		BITS-1 Out	The BITS-1 Out timing clock.
		BITS-2 Out	The BITS-2 Out timing clock.

Table 14-2 ONS 15600 SDH Timing Report (continued)

Item	Description	Option	Option Description
Status Status (cont.)	Indicates the status of the timing clock.	INIT_STATE	The timing reference has not been provisioned. For an NE reference, this status appears just before the first provisioning messages when the TSC is booting. Timing is provisioned to the internal clock of the node.
		HOLDOVER_STATE	The clock was locked onto a valid timing reference for more than 140 seconds when a failure occurred. Holdover state timing is a computation based on timing during normal state combined with the node's internal clock. The node holds onto this frequency until the valid reference is restored. This status appears for NE references only.
		FREERUN_STATE	The node is running off its internal clock without any modification except the calibrated value to bring timing to 0 PPM. Free-run state can occur when a Force switch to the internal clock is initiated, all references fail without the 140 seconds of holdover data, or only Internal timing references are defined. This status appears for NE references only.
		NO_SYNC_STATE	A synchronization timing reference is not defined. BITS-1 Out or BITS-2 Out default to this status until an STM-N card is defined as its reference on the Provisioning > Timing tab. This status appears for external references only.
		NE_SYNCH_STATE	BITS-1 Out and BITS-2 Out use the same timing source as the NE. This is displayed when NE Reference is selected for BITS-1 Out and BITS-2 Out Reference List on the Provisioning > Timing tab.
		NORMAL_STATE	The timing reference is locked onto one of its provisioned references. The reference cannot be Internal or no sync state.
		FAST_START_STATE	The node has switched references, but the reference is too far away to reach normal state within an acceptable amount of time. Fast Start is a fast acquisition mode to allow the node to quickly acquire the reference. After it achieves this goal, the node progresses to the normal state.
		FAST_START_FAILED_STATE	A timing reference is too far away to reach in normal state. The fast start state could not acquire sufficient timing information within the allowable amount of time.
Status Changed At	Date and time of the last status change.	—	—
Switch Type	Type of switch.	AUTOMATIC	The timing switch was system-generated.
		Manual	The timing switch was a user-initiated Manual switch.
		Force	The timing switch was user-initiated Force switch.

Table 14-2 ONS 15600 SDH Timing Report (continued)

Item	Description	Option	Option Description
Reference	Indicates the timing reference.	Three timing references (Ref-1, Ref-2, and Ref-3) are available on the Provisioning > Timing tab.	These options indicate the timing references that the system uses, and the order in which they are called. (For example, if Ref-1 becomes available, Ref-2 is called.)
Selected	Indicates whether the reference is selected.	Selected references are indicated with an X.	—
Facility	Indicates the timing facility provisioned for the reference on the Provisioning > Timing tab.	BITS-1	The timing facility is a building integrated timing supply (BITS) clock attached to the node's BITS-1 pins.
		BITS-2	The timing facility is a BITS clock attached to the node's BITS-2 pins.
		STM-N card with port #	If the node is set to line timing, this is the STM-N card and port provisioned as the timing reference.
		Internal clock	The node is using its internal clock.
State	Indicates the timing reference state.	unlocked	The timing reference is operational.
		locked	The timing reference is not operational.
Condition	Indicates the timing reference state.	OKAY	The reference is valid to use as a timing reference.
		OOB	Out of bounds; the reference is not valid and cannot be used as a timing reference, for example, a BITS clock is disconnected.
Condition Changed	Indicates the date and time of the last status change in MM/DD/YY HH:MM:SS format.	—	—
SSM	Indicates whether SSM is enabled for the timing reference.	Enabled	SSM is enabled.
		Disabled	SSM is not enabled.
SSM Quality	Indicates the SSM timing quality.	8 to 10 SSM quality messages might be displayed.	For a list of SSM message sets, refer to the <i>Cisco ONS 15600 SDH Reference Manual</i> .
SSM Changed	Indicates the date and time of the last SSM status change in MM/DD/YY HH:MM:SS format.	—	—

Stop. You have completed this procedure.

NTP-F236 Replace an SSXC Card

Purpose	This procedure replaces a faulty SSXC card with a new SSXC card.
Tools/Equipment	Replacement SSXC card
Prerequisite Procedures	NTP-F221 Back Up the Database, page 14-4
Required/As Needed	As needed
Onsite/Remote	Onsite or remote
Security Level	Provisioning or higher



Warning

Do not reach into a vacant slot or chassis while you install or remove a module or a fan. Exposed circuitry could constitute an energy hazard. Statement 206



Note

The ONS 15600 SDH system dynamically changes the preferred copy status from one SSXC to the redundant copy if an error is detected on a card port. You can see this change in the CTC node view Maintenance > Preferred Copy window Currently Used field. If errors are detected on both SSXC copies, the Currently Used field says Both.



Note

You do not need to make any changes to the database if you are replacing it with a card of exactly the same type.



Note

Card removal raises an improper removal (IMPROPRMVL) alarm, but this clears after the card replacement is complete.

- Step 1** Complete the [“DLP-F181 Log into CTC” task on page 16-34](#) for the node where you will replace the SSXC card.
- Step 2** In node view click the **Inventory** tab. Locate the appropriate SSXC card in the inventory list.
- Step 3** Click the **Admin State** drop-down list and select **locked, maintenance**. Click **Apply**.
- Step 4** Click the **Maintenance > Preferred Copy** tabs. Verify that the SSXC selected as the preferred data copy is not the SSXC you want to remove.
- Step 5** Physically remove the SSXC card to be replaced from the ONS 15600 SDH shelf:
 - a. Open the card ejectors.
 - b. Slide the card out of the slot.



Note

An UNPROT-XCMTX alarm will be reported when you remove the SSXC card.

- Step 6** Install the replacement SSXC card in the shelf:
- Open the ejectors on the replacement card.
 - Slide the replacement card into the slot along the guide rails until it contacts the backplane.
 - Close the ejectors.
- Step 7** Wait for the new card to boot. (This will take approximately one minute.) Ensure that the UNPROT-XCMTX alarm clears.
- Step 8** In node view click the **Inventory** tab. Locate the newly installed SSXC card in the inventory list.
- Step 9** Click the **Admin State** drop-down list and select **unlocked**. Click **Apply**.



Note When you replace a card with an identical type of card, you do not need to make any changes to the database.

NTP-F237 Replace an STM-16 or STM-64 Card

Purpose	This procedure replaces an STM-16 or STM-64 traffic card with a new card of the same type.
Tools/Equipment	Replacement STM-16 or STM-64 card
Prerequisite Procedures	None
Required/As Needed	As needed
Onsite/Remote	Onsite
Security Level	Provisioning or higher



Warning

Do not reach into a vacant slot or chassis while you install or remove a module or a fan. Exposed circuitry could constitute an energy hazard. Statement 206



Note

Card removal raises an improper removal (IMPROPRMVL) alarm, but this clears after the card replacement is completed.

- Step 1** Complete the [“DLP-F181 Log into CTC” task on page 16-34](#) at the node where you will replace the STM-16 or STM-64 card.
- Step 2** Ensure that the card you are replacing does not carry traffic in a 1+1 protection group:
- In node view, click the **Maintenance > Protection** tabs.
 - Choose the first group listed under Protection Groups.
 - Verify that the slot number for the card you are replacing does not appear in the Selected Groups list. For example, if you are replacing the STM-16 card in Slot 3, make sure that Selected Groups does not contain any entries that start with s3, regardless of the port.
 - Repeat Steps **b** and **c** for each protection group.

- e. If any of the groups contain a port on the card you want to replace, complete the [“DLP-F239 Initiate a Force Switch on a Port in a 1+1 Protection Group” task on page 17-32.](#)

Step 3 Ensure that the card you are replacing does not carry SNCP circuit traffic:



Note A port can be part of a 1+1 protection group or part of a SNCP, but it cannot be configured for both. However, different ports on one card can be configured in different ways. If you move all of the traffic off some 1+1 ports, you still need to check whether the remaining ports are carrying SNCP traffic.

- a. From the **View** menu choose **Go to Parent View**.
- b. Click the **Circuits** tab.
- c. View the circuit source and destination ports and slots. If any circuits originate or terminate in the slot containing the card you are replacing, perform the [“DLP-F235 Switch All SNCP Circuits on a Span” task on page 17-29](#) or the [DLP-F347 Initiate an MS-SPRing Force Ring Switch, page 18-50.](#)



Note If the card you are replacing is not configured for any port or circuit protection, but does carry traffic, bridge and roll this traffic onto another card. See the [“NTP-F181 Bridge and Roll Traffic” procedure on page 7-5.](#)

Step 4 Remove any fiber optic cables from the ports.

Step 5 Physically remove the card that you want to replace from the ONS 15600 SDH shelf:

- a. Open the card ejectors.
- b. Slide the card out of the slot.

Step 6 Physically replace the STM-16 or STM-64 card in the shelf:

- a. Open the ejectors on the replacement card.
- b. Slide the replacement card into the slot along the guide rails until it contacts the backplane.
- c. Close the ejectors.



Note When you replace a card with an identical type of card, you do not need to make any changes to the database.

Step 7 Clear the Force switches:

- To clear 1+1 Force switches, complete the [“DLP-F295 Clear a Manual or Force Switch in a 1+1 Protection Group” task on page 17-86.](#)
- To clear SNCP Force switches, complete the [“DLP-F236 Clear a Switch for all SNCP Circuits on a Span” task on page 17-30.](#)
- To clear MS-SPRing Force switches, complete the [“DLP-F282 Clear an MS-SPRing Force Ring Switch” task on page 17-74.](#)

Step 8 When the card is in service and receiving traffic, reset the card’s physical receive power level threshold in CTC:

- a. Double-click the newly installed card in CTC node view.
- b. Click the **Provisioning > SDH Thresholds** tabs.
- c. Click the **Physical** radio button.

d. Click **Set OPR** for each port on the card.

Step 9 As necessary, refer to the “[NTP-F197 Modify Line and Status Thresholds for Optical Ports](#)” procedure on [page 10-2](#) to change the optical card settings.

Stop. You have completed this procedure.

NTP-F238 Replace a 4PIO or 1PIO in the ASAP Card

Purpose	This procedure replaces a 4PIO or 1PIO module (PIM) in the ASAP card with another module of the same type.
Tools/Equipment	Replacement 4PIO(s) and/or 1PIO(s)
Prerequisite Procedures	None
Required/As Needed	As needed
Onsite/Remote	Onsite
Security Level	Provisioning or higher



Warning

Do not reach into a vacant slot or chassis while you install or remove a module or a fan. Exposed circuitry could constitute an energy hazard. Statement 206



Caution

Replacing a provisioned 4PIO with a 1PIO (and vice versa) is not supported. You must replace the PIM with the same PIM type, unless you have deleted the previously installed module before you install the new module type.



Note

Card removal raises an improper removal (IMPROPRMVL) alarm, but this clears after the card replacement is completed.

Step 1 Complete the “[DLP-F181 Log into CTC](#)” task on [page 16-34](#) at the node where you will replace the 1PIO or 4PIO module.

Step 2 Ensure that the module you are replacing does not carry traffic in a 1+1 protection group:

- a. In node view, click the **Maintenance > Protection** tabs.
- b. Choose the first group listed under Protection Groups.
- c. Verify that none of the port numbers for the 4PIO or 1PIO you are replacing does not appear in the Selected Groups list.
- d. Repeat Steps **b** and **c** for each protection group.
- e. If any of the groups contain a port on the card you want to replace, complete the “[DLP-F239 Initiate a Force Switch on a Port in a 1+1 Protection Group](#)” task on [page 17-32](#).

Step 3 Ensure that the card you are replacing does not carry SNCP circuit traffic:



Note A port can be part of a 1+1 protection group or part of a SNCP, but it cannot be configured for both. However, different ports on one card can be configured in different ways. If you move all of the traffic off some 1+1 ports, you still need to check whether the remaining ports are carrying SNCP traffic.

- a. From the **View** menu choose **Go to Parent View**.
- b. Click the **Circuits** tab.
- c. View the circuit source and destination ports and slots. If any circuits originate or terminate in the slot containing the card you are replacing, perform the “[DLP-F235 Switch All SNCP Circuits on a Span](#)” task on page 17-29 or the “[DLP-F347 Initiate an MS-SPRing Force Ring Switch](#)” task on page 18-50.



Note If the card you are replacing is not configured for any port or circuit protection, but does carry traffic, bridge and roll this traffic onto another card. See the “[NTP-F181 Bridge and Roll Traffic](#)” procedure on page 7-5.

Step 4 Remove any fiber-optic cables from the ports.

Step 5 Physically remove the 4PIO or 1PIO that you want to replace from the ASAP card:

- a. Loosen the screws at the top right and bottom left on the 1PIO or 4PIO module. (You can do this using a Phillips screwdriver or by hand.)
- b. Slide the module out of the slot on the ASAP card.

Step 6 Physically replace the 4PIO or 1PIO module in the ASAP card:

- a. Carefully slide the module along the top and bottom guide rails into the correct slot.
- b. Use a Phillips screwdriver or your hand to tighten the screws at the top right and bottom left of the module.



Note When you replace a card with an identical type of card, you do not need to make any changes to the database.

Step 7 Clear the Force switches:

- To clear 1+1 Force switches, complete the “[DLP-F295 Clear a Manual or Force Switch in a 1+1 Protection Group](#)” task on page 17-86.
- To clear SNCP Force switches, complete the “[DLP-F236 Clear a Switch for all SNCP Circuits on a Span](#)” task on page 17-30.
- To clear MS-SPRing Force switches, complete the “[DLP-F282 Clear an MS-SPRing Force Ring Switch](#)” task on page 17-74.

Step 8 When the module is in service and receiving traffic, reset the module’s physical receive power level threshold in CTC:

- a. Double-click the newly installed module in CTC node view.
- b. Click the **Provisioning > Optical > Optics Thresholds** tabs.
- c. Click the **Physical** radio button.
- d. Click **Set OPR** for each port on the card.

Stop. You have completed this procedure.

NTP-F239 Replace a TSC Card

Purpose	This procedure replaces a TSC card with a new TSC card.
Tools/Equipment	Replacement TSC card
Prerequisite Procedures	None
Required/As Needed	As needed
Onsite/Remote	Onsite
Security Level	Provisioning or higher



Warning

Do not reach into a vacant slot or chassis while you install or remove a module or a fan. Exposed circuitry could constitute an energy hazard. Statement 206



Note

When an error is detected on a TSC card, the ONS 15600 SDH system switches control to the second TSC card; therefore, so it should not be necessary to change control when you replace the card.



Note

You do not need to make any changes to the database if you are replacing it with a card of exactly the same type.



Note

Card removal raises an improper removal (IMPROPRMVL) alarm, but this clears after the card replacement is completed.

Step 1 Complete the “[DLP-F181 Log into CTC](#)” task on page 16-34 at the node where you will replace the TSC card.

Step 2 To ensure that the card you are replacing is not the active TSC card, run the mouse over the card in CTC. If the card says Active, switch it to Standby:

- a. Right-click the active TSC card to reveal the shortcut menu.
- b. Click **Soft-reset Card**.
- c. Click **Yes** when the confirmation dialog box appears.
- d. Click **OK** when the “Lost connection to node, changing to Network View” dialog box appears.



Note

The TSC card takes several minutes to reboot. See [Table 2-1 on page 2-3](#) for more information about LED behavior during TSC card reboots.

**Note**

Whenever TSC cards are changed from active to standby, it takes approximately 12 minutes to completely synchronize to the new system clock source due to the more accurate Stratum 3E timing module being adopted.

Step 3 Confirm that the TSC card you reset is in standby mode after the reset.

A TSC card that is ready for service has a green SRV LED illuminated. An active TSC card has a green ACT STBY LED illuminated, but a standby card does not have this LED illuminated.

**Tip**

If you run the cursor over the TSC card in CTC, a popup displays the card's status (whether active or standby).

Step 4 Physically remove the card you want to replace from the ONS 15600 SDH:

- a. Open the card ejectors.
- b. Slide the card out of the slot.

Step 5 Insert the replacement TSC card into the empty slot:

- a. Open the ejectors on the replacement card.
- b. Slide the replacement card into the slot along the guide rails until it contacts the backplane.
- c. Close the ejectors.

Step 6 If you want to make the replaced TSC card active, complete Steps 2b through 2d again.

Stop. You have completed this procedure.

**Note**

The estimated time that a skilled technician takes to replace a fan tray is 2 minutes.

NTP-F240 Replace a Fan Tray

Purpose	This procedure replaces a fan tray with a new fan tray.
Tools/Equipment	Replacement fan tray
Prerequisite Procedures	None
Required/As Needed	As needed
Onsite/Remote	Onsite
Security Level	Provisioning or higher

**Caution**

Do not force a fan tray into place. Forcing a fan tray can damage the connectors on the fan tray or the connectors on the back panel of the shelf assembly.

**Caution**

The center fan tray (tray 2) in the ONS 15600 SDH shelf is the most critical tray because it cools the common control cards. If both fans in this tray are inoperative, CTC initiates a five-minute countdown to shut down one of the SSXC cards. You should swap a working fan tray (tray 1 or 3) with tray 2 as soon as possible to prevent equipment damage.

**Caution**

When a fan tray is removed from a shelf assembly, it momentarily creates the same situation that occurs if two fans in a single tray fail. In this situation (that is, the system is running on two fans), CTC software begins a five-minute countdown before shutting down SSXC card operation in order to protect the cards. Replace the fan tray in the shelf assembly as quickly as possible to avoid SSXC card shutdown.

**Note**

The ONS 15600 SDH system requires at least one working fan in each of the three fan trays. When a single fan in a tray fails, Cisco recommends replacing the tray with a fully working tray as soon as practically possible. To replace a fan tray, it is not necessary to move any of the cable management facilities.

**Note**

Each fan tray contains two fans. The FAN LED indicates if one or both fans fail in a fan tray.

- Step 1** Lift the latch on the fan tray that you want to replace, and pull the fan tray away from the shelf assembly.
- Step 2** Insert the new fan tray in the shelf assembly.
- Step 3** Press the latch down to secure the fan tray.

Stop. You have completed this procedure.



Note The estimated time that a skilled technician takes to replace a fan tray is 2 minutes.

NTP-F241 Replace the Customer Access Panel

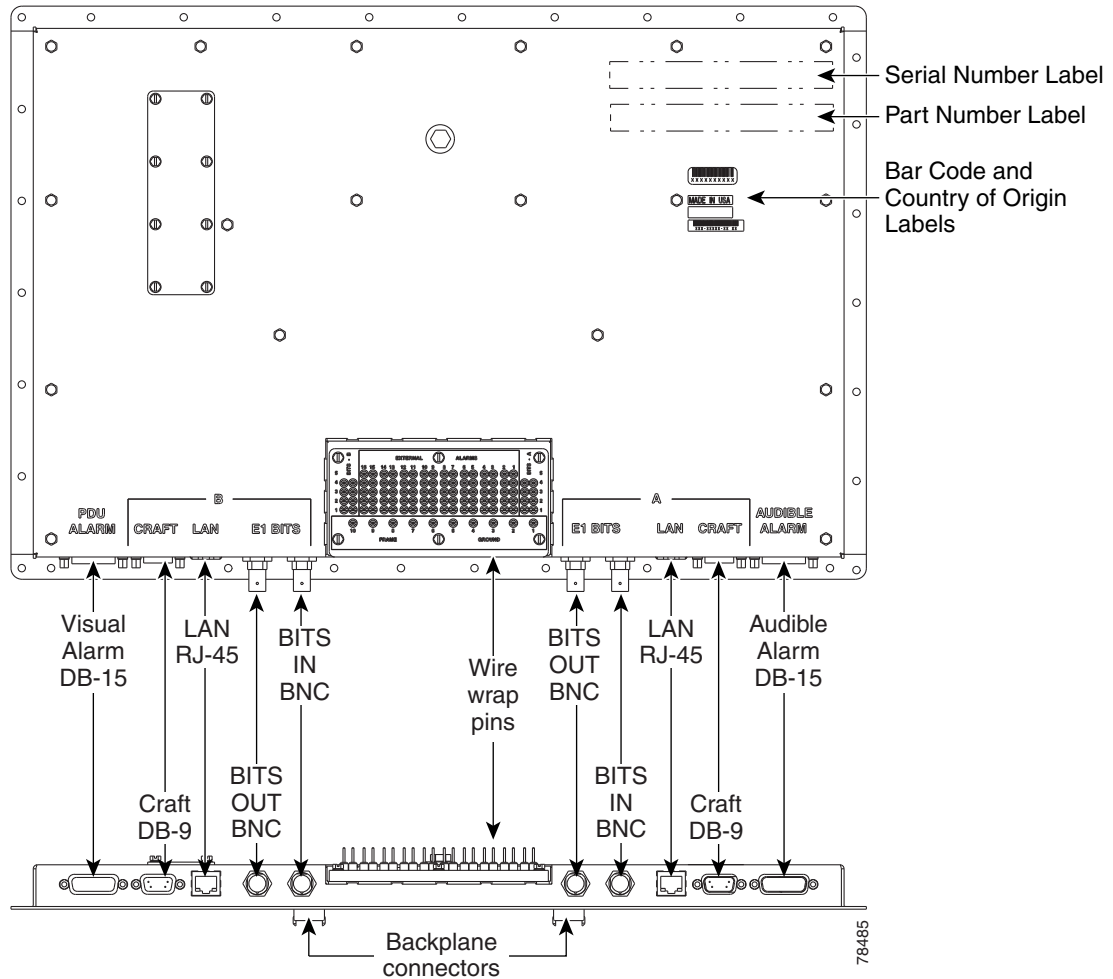
Purpose	This procedure replaces a customer access panel (CAP)/customer access panel version 2 (CAP2) with a new CAP/CAP2.
Tools/Equipment	Replacement CAP/CAP2
Prerequisite Procedures	None
Required/As Needed	As needed
Onsite/Remote	Onsite
Security Level	Provisioning or higher

**Note**

The 15600 SDH node is viewable only when CTC is connected to its front panel. You will not be able to view any other node that is connected to the ONS 15600 SDH through a DCC.

Step 1 Remove any tie wraps and cables attached to the CAP/CAP2 (Figure 14-5).

Figure 14-5 CAP/CAP2 Faceplate and Connections



Step 2 Remove the pin-field card, leaving the wires attached if possible. (If this is not possible, remove and label the wires.)

Step 3 To remove the CAP/CAP2:

- a. Remove the 14 screws on the left and right sides of the CAP/CAP2 using a 3/16-inch (4.76-mm) socket.
- b. Remove the 17 nuts on the top and bottom of the CAP/CAP2 using a 1/4-inch (6.35-mm) socket.
- c. Loosen the center bolt using a 7/16-inch (11.113-mm) socket. This creates an extraction force on the connectors to successfully unmate them.
- d. Pull the CAP/CAP2 off of the alignment pins.

Step 4 Place the replacement CAP/CAP2 over the alignment pins on the backplane and tighten the center bolt using a 7/16-inch (11.113-mm) socket. This creates an insertion force that successfully mates the connectors.

Step 5 Verify that the CAP/CAP2 cover is contacting the rear cover around the CAP/CAP2 perimeter.

- Step 6** Replace the CAP/CAP2 screws and tighten to the specified torque (6 to 7 foot pounds).
- Step 7** If you removed the wire-wrap wires from the pin field card, replace them on the pin field according to their labeled positions. If you removed the pin field card with the wires intact, reinstall the pin field card.
- Step 8** Replace the tie wraps and cables.
- Stop. You have completed this procedure.**

NTP-F242 Remove a Power Distribution Unit

Purpose	This procedure removes the ONS 15600 SDH power distribution unit (PDU).
Tools/Equipment	Replacement PDU
Prerequisite Procedures	None
Required/As Needed	As needed
Onsite/Remote	Onsite
Security Level	Provisioning or higher



Note The PDU can be ordered in entirety (including PDU-A, PDU-B, and alarm panel), or by part.

- Step 1** Remove a PDU from a donor unit:
- Secure an ESD-safe area to place dismounted equipment.
 - Working on the front of the donor unit, remove the donor PDU alarm unit from the center of the PDU:
 - Use a slot screwdriver to loosen the front two screws on the PDU alarm unit until they click.
 - Remove the alarm unit from the cabinet by pulling it straight out. Place it in an ESD-safe area.
 - Remove the donor PDU:
 - Remove 1/4-inch (6.35-mm) nut and washer from frame ground lug on back side.
 - Use a slot screwdriver to loosen the front two screws on the PDU until they click.
 - Remove the PDU from the cabinet by pulling it straight out. Place it in an ESD-safe area.
- Step 2** Disconnect the faulty PDU:



Note Wiring positions are mirrored for PDU-A and PDU-B with the exception of the frame ground wire and are marked on the top face of the PDU.

- Disconnect DC power to the PDU to be replaced. For more information about bay power connections, see the [“DLP-F167 Connect Office Power to the ONS 15600 SDH Bay” task on page 16-10](#).
- Working on the side of the PDU, use a voltage meter to verify that there is no DC power present at the terminals. See the [“DLP-F169 Verify Office Power” task on page 16-14](#).
- Secure an ESD-safe area to place dismounted equipment.

- d. Working on the side of the bay, use the 9/64-in. Allen wrench to loosen the two socket-head screws holding the plastic safety cover over the power terminals.
- e. Remove the side plastic safety cover and screw down the socket-head screws by hand far enough for the PDU to clear the chassis when removed.



Note If socket-head screws are left partially screwed outward, the PDU cannot be removed from the chassis.

- f. Working on the side of the bay, remove the electrical wiring of the faulty PDU:



Note In this procedure, all wiring screw post positions are referenced from right to left, starting with screw post one being rear-most.

- Use a 3/8-in. socket and wrench or socket driver to remove the green ground wire from the first vertical pair of screw posts.
- Remove the jumper cable from the frame to logic ground terminals.
- Remove the red 48-VDC power return wire from the third pair of screw posts.
- Remove the black 48-VDC power supply wire from the fourth pair of screw posts.



Note Looking at the back of the power unit from the rear of the bay, there are three areas of screw posts on the rear of the unit: (1) The top 12 screw posts hold the busbars; (2) the right-bottom (PDU-A) or left-bottom (PDU-B) three screw posts hold the black frame ground, and (3) the bottom-left (PDU-A) or bottom-right (PDU-B) six screw posts hold the green frame and logic grounds.

- g. Working on the rear of the bay, remove the two thumbnuts holding the plastic safety cover. Remove the plastic safety cover.
- h. Working on the rear of the power unit with the six bottom-left (PDU-A) or bottom-right (PDU-B) screw posts, remove the nuts, washers, frame and logic ground wires. Use a 7/16-inch (11.113-mm) socket on the nuts, and needle-nose pliers to remove the star washers.



Note Wiring positions are mirrored for PDU-A and PDU-B with the exception of the green frame ground wire to the rear of the bay.

- i. Working on the rear of the bay with the top 12 screw posts, use a 7/16-inch (11.113-mm) socket and socket driver to remove the last four nuts holding PDU-B to the top-bay busbar. Use needle-nose pliers to remove the star washers.
- j. Remove the 1/4-inch (6.35-mm) nut and washer from the frame ground lug.

Step 3 Working on the front of the bay, remove the faulty PDU:

- a. Use a slot screwdriver to unscrew the two PDU slot screws until they click.
- b. Pull the PDU straight out and place the PDU in the ESD-safe area.

Step 4 Continue with the [“NTP-F243 Replace the Power Distribution Unit” procedure on page 14-33.](#)

Stop. You have completed this procedure.


NTP-F243 Replace the Power Distribution Unit

Purpose	This procedure replaces the B-side PDU. To replace the PDU A-side, use the same procedure but reverse the wiring screw post positions.
Tools/Equipment	Replacement PDU
Prerequisite Procedures	None
Required/As Needed	As needed
Onsite/Remote	Onsite
Security Level	Provisioning or higher



Note

The PDU can be ordered in entirety (including PDU-A, PDU-B, and alarm panel) or by part.

- Step 1** Working on the front of the bay:
- Push the new PDU straight into the cabinet in the shelf.
 - Replace 1/4-inch (6.35-mm) nut and washer on rear frame ground lug.
 - Use a slot screwdriver to tighten the two slot screws on the front of the PDU.
- Step 2** Working on the front of the bay, reinsert the alarm unit in the middle of the PDU:
- Push the alarm unit straight into the cabinet in the bay.
 - Use a slot screwdriver to tighten the two slot screws on the front of the alarm unit.
- Step 3** Working on the rear of the bay with the six bottom-right (PDU-A) or bottom-left (PDU-B) screw posts, replace the wires and the star washers. Use a 7/16-inch (11.113-mm) socket and wrench to replace the second and third nuts on the screw posts.
-  **Note** Wiring positions are mirrored for PDU-A and PDU-B with the exception of the green frame ground wire to the rear of the bay.
- Step 4** Working on the rear of the bay with the top 12 screw posts, replace the busbars, the star washers, and the nuts holding the busbars to the PDU.
- Step 5** Working on the rear of the bay, replace the PDU receive output cover over the top 12 screw posts.
- Step 6** Working on the rear of the bay, replace the two thumbnuts that secure the PDU receive output cover.
- Step 7** Working on the side of the bay, replace the electrical wiring:
- Place the green jumper cable on the frame ground and logic ground screw posts.
 - Use a 7/16-inch (11.113-mm) socket and wrench or socket driver to replace the green ground wire on the rear-most vertical pair of screw posts. Torque all PDU side screw post nuts to 36 in.-lb.
 - Replace the red 48– VDC power return wire on the third pair of screw posts.
 - Replace the black 48– VDC power supply wire on the fourth pair of screw posts.
- Step 8** Working on the side of the bay, replace the plastic safety cover over the power leads.

- Step 9** Use the 9/64-inch (3.57-mm) Allen wrench to replace the two nuts that secure the plastic safety cover.
- Step 10** Restore power to the bay.
- Step 11** Check the voltage at the PDU input, output, and backplane busbar connections with a voltage meter. See the “[DLP-F169 Verify Office Power](#)” task on page 16-14.
- Stop. You have completed this procedure.**
-

NTP-F244 Edit Network Element Defaults

Purpose	This procedure edits the factory-configured network element (NE) defaults using the NE Defaults editor. The new defaults can either be applied only to the node on which they are edited or exported to a file and imported for use on other nodes.
Tools/Equipment	None
Prerequisite Procedures	None
Required/As Needed	As needed
Onsite/Remote	Onsite or remote
Security Level	Superuser only



Note For a list of card and node default settings, refer to the “Network Element Defaults” appendix in the *Cisco ONS 15600 SDH Reference Manual*. To change card settings individually (that is, without changing the defaults), see [Chapter 10, “Change Card Settings.”](#) To change node settings, see [Chapter 11, “Change Node Settings.”](#)

- Step 1** Complete the “[DLP-F181 Log into CTC](#)” task on page 16-34 at the node where you want to edit NE defaults.
- Step 2** Click the **Provisioning > Defaults** tabs.
- Step 3** Under Defaults Selector, choose a card type (if editing card-level defaults), **CTC** (if editing CTC defaults), or **NODE** (if editing node-level defaults). Clicking on the node name (at the top of the Defaults Selector column) lists all available NE defaults in the Default Name column. To selectively display just the defaults for a given card type, for node-level, or for CTC-level, you can drill down the Defaults Selector menu structure.
- Step 4** Locate a default you want to change under Default Name.
- Step 5** Click in the **Default Value** column for the default property you are changing and either choose a value from the drop-down menu (when available), or type in the desired new value.



Note If you click **Reset** before you click **Apply**, all values will return to their original settings.

- Step 6** Click **Apply** (click in the **Default Name** column to activate the Apply button if it is unavailable). You can modify multiple default values before applying the changes.
- A pencil icon will appear next to any default value that will be changed as a result of editing the defaults file.

- Step 7** If you are modifying node-level defaults, a dialog box appears telling you that applying defaults for node level attributes overrides current provisioning and asks if you want to continue. Click **Yes**.
- If you are modifying the IOP Listener Port setting, a dialog box appears warning you that the node will reboot and asks if you want to continue. Click **Yes**.



Note Changes to most node defaults reprovision the node when you click Apply. Changes made to card settings using the Defaults Editor do not change the settings for cards that are already installed or slots that are preprovisioned for cards, but rather, change only cards that are installed or preprovisioned thereafter. To change settings for installed cards or pre-provisioned slots, see [Chapter 10, “Change Card Settings.”](#)



Note Changing some NE defaults can cause CTC disconnection or a reboot of the node in order for the default to take effect. Before you change a default, view the Side Effects column of the Defaults editor (right-click a column header and select **Show Column > Side Effects**) and be prepared for the occurrence of any side effects listed for that default.

Stop. You have completed this procedure.

NTP-F245 Import Network Element Defaults

Purpose	This procedure imports the NE defaults using the NE Defaults editor. The defaults can either be imported from the CTC software CD (factory defaults) or from a customized file exported and saved from a node.
Tools/Equipment	None
Prerequisite Procedures	None
Required/As Needed	As needed
Onsite/Remote	Onsite or remote
Security Level	Superuser only



Note For a list of card and node default settings, refer to the “Network Element Defaults” appendix in the *Cisco ONS 15600 SDH Reference Manual*.

- Step 1** Complete the “[DLP-F181 Log into CTC](#)” task on page 16-34 at the node where you want to import NE defaults.
- Step 2** Click the **Provisioning > Defaults** tabs.
- Step 3** Click **Import**.
- Step 4** Click **Browse** and browse to the file you are importing if the correct file name and location of the desired file do not appear in the Import Defaults from File dialog box.
- Step 5** When the correct file name and location appear in the dialog box, click **OK**. (The correct file name is 15600SDH-defaults.txt if you are importing the factory defaults.)

A pencil icon will appear next to any default value that will be changed as a result of importing the new defaults file.

Step 6 Click **Apply**.

Step 7 If the imported file fails to pass all edits, the problem field shows the first encountered problem default value that must be fixed. Change the problem default value and click **Apply**. Repeat until the imported file passes all edits successfully.

Step 8 If you are modifying node-level defaults, a dialog box appears telling you that applying defaults for node level attributes overrides current provisioning and asks if you want to continue. Click **Yes**.

If you are modifying the IOP Listener Port setting, a dialog box appears warning you that the node will reboot and asks if you want to continue. Click **Yes**.



Note Changes to most node defaults reprovision the node when you click Apply. Changes made to card settings using the Defaults Editor do not change the settings for cards that are already installed or slots that are preprovisioned for cards, but rather, change only cards that are installed or preprovisioned thereafter. To change settings for installed cards or pre-provisioned slots, see [Chapter 10, “Change Card Settings.”](#)



Note Changing some NE defaults can cause CTC disconnection or a reboot of the node in order for the default to take effect. Before you change a default, view the Side Effects column of the Defaults editor (right-click a column header and select **Show Column > Side Effects**) and be prepared for the occurrence of any side effects listed for that default.

Stop. You have completed this procedure.

NTP-F246 Export Network Element Defaults

Purpose	This procedure exports the NE defaults using the NE Defaults editor. The exported defaults can be imported to other nodes.
Tools/Equipment	None
Prerequisite Procedures	None
Required/As Needed	As needed
Onsite/Remote	Onsite or remote
Security Level	Superuser only



Note The defaults currently displayed are exported whether or not they have been applied to the current node.



Note The NE defaults can also be exported from the File > Export menu. These exported defaults are for reference only and cannot be imported.

-
- Step 1** Complete the “[DLP-F181 Log into CTC](#)” task on page 16-34 at the node where you want to export NE defaults.
- Step 2** Click the **Provisioning > Defaults** tabs.
- Step 3** Click **Export**.
- Step 4** If the desired file to export to does not appear in the Export Defaults to File dialog box (or does not yet exist) click **Browse** and browse to the directory where you want to export the data; then either choose or type in (to create) the file to export to [the defaults will be exported as a text file delimited by equals (=) signs].
- Step 5** Click **OK**.

Stop. You have completed this procedure.
