



## Configure Performance Measurement

Network performance metrics is a critical measure for traffic engineering (TE) in service provider networks. Network performance metrics include the following:

- Packet loss
- Delay
- Delay variation
- Bandwidth utilization

These network performance metrics provide network operators information about the performance characteristics of their networks for performance evaluation and help to ensure compliance with service level agreements. The service-level agreements (SLAs) of service providers depend on the ability to measure and monitor these network performance metrics. Network operators can use Segment Routing Performance Measurement (SR-PM) feature to monitor the network metrics for links and end-to-end TE label switched paths (LSPs).

The following table explains the functionalities supported by performance measurement feature for measuring delay for links or SR policies.

**Table 1: Performance Measurement Functionalities**

| Functionality                    | Details  |
|----------------------------------|--|
| Profiles                         | You can configure different default profiles for different types of delay measurements. Use the "interfaces" delay profile type for link-delay measurement. The "sr-policy" delay profile type is used for SR policy delay measurements. Delay profile allows you to schedule probe and configure metric advertisement parameters for delay measurement. |
| Protocols                        | Two-Way Active Measurement Protocol (TWAMP) Light (using RFC 5357 with IP/UDP encap).  |
| Probe and burst scheduling       | Schedule probes and configure metric advertisement parameters for delay measurement.   |
| Metric advertisements            | Advertise measured metrics periodically using configured thresholds. Also supports accelerated advertisements using configured thresholds.   |
| Measurement history and counters | Maintain packet delay and loss measurement history, session counters, and packet advertisement counters.   |

The following are the means by which you can measure the performance of your network:

- [Measurement Modes](#), on page 2
- [Link Delay Measurement](#), on page 5
- [Delay Normalization](#), on page 17
- [Link Anomaly Detection with IGP Penalty](#), on page 20
- [IP Endpoint Liveness Monitoring](#), on page 21
- [Delay Measurement for IP Endpoint](#), on page 35
- [SR Policy End-to-End Delay Measurement](#), on page 44
- [SR Policy Liveness Monitoring](#), on page 52

## Measurement Modes

The following table compares the different hardware and timing requirements for the measurement modes supported in SR PM.

**Table 2: Measurement Mode Requirements**

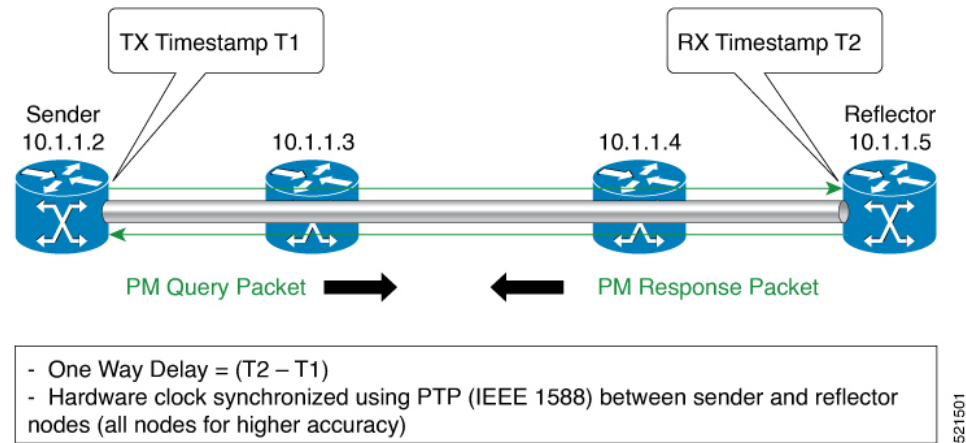
| Measurement Mode | Sender:<br>PTP-Capable HW and HW<br>Timestamping | Reflector:<br>PTP-Capable HW and HW<br>Timestamping | PTP Clock Synchronization<br>between Sender and Reflector |
|------------------|--|---|---|
| One-way          | Required   | Required  | Required  |
| Two-way          | Required   | Required  | Not Required  |
| Loopback         | Required   | Not Required  | Not Required  |

### One-Way Measurement Mode

One-way measurement mode provides the most precise form of one-way delay measurement. PTP-capable hardware and hardware timestamping are required on both Sender and Reflector, with PTP Clock Synchronization between Sender and Reflector.

Delay measurement in one-way mode is calculated as  $(T2 - T1)$ .

Figure 1: One-Way



The PM query and response for one-way delay measurement can be described in the following steps:

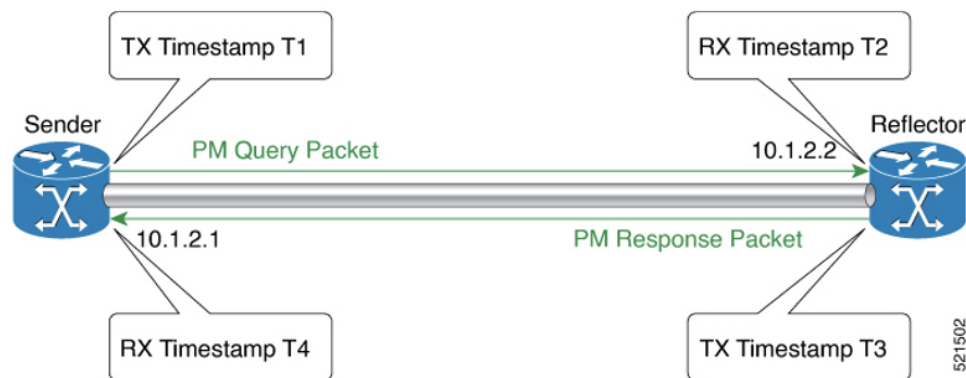
1. The local-end router sends PM query packets periodically to the remote side once the egress line card on the router applies timestamps on packets.
2. The ingress line card on the remote-end router applies time-stamps on packets as soon as they are received.
3. The remote-end router sends the PM packets containing time-stamps back to the local-end router.
4. One-way delay is measured using the time-stamp values in the PM packet.

**Two-Way Measurement Mode**

Two-way measurement mode provides two-way measurements. PTP-capable hardware and hardware timestamping are required on both Sender and Reflector, but PTP clock synchronization between Sender and Reflector is not required.

Delay measurement in two-way mode is calculated as  $((T4 - T1) - (T3 - T2))/2$

Figure 2: Two-Way



The PM query and response for two-way delay measurement can be described in the following steps:

1. The local-end router sends PM query packets periodically to the remote side once the egress line card on the router applies timestamps on packets.

2. Ingress line card on the remote-end router applies time-stamps on packets as soon as they are received.
3. The remote-end router sends the PM packets containing time-stamps back to the local-end router. The remote-end router time-stamps the packet just before sending it for two-way measurement.
4. The local-end router time-stamps the packet as soon as the packet is received for two-way measurement.
5. Delay is measured using the time-stamp values in the PM packet.

### Loopback Measurement Mode

Loopback measurement mode provides two-way and one-way measurements. PTP-capable hardware and hardware timestamping are required on the Sender, but are not required on the Reflector.

Delay measurements in Loopback mode are calculated as follows:

- Round-Trip Delay =  $(T4 - T1)$
- One-Way Delay = Round-Trip Delay/2

**Figure 3: Loopback**



The PM query and response for Loopback delay measurement can be described in the following steps:

1. The local-end router sends PM probe packets periodically on the SR Policy.
2. The probe packets are loopback on the endpoint node (not punted), with no timestamping on endpoint node.
3. Round-trip Delay =  $T4 - T1$ .

# Link Delay Measurement

Table 3: Feature History Table

| Feature Name  | Release Information | Feature Description   |
|---|---------------------|---|
| Link Delay Measurement with IPv6 Link Local Address | Release 7.3.1       | The performance measurement for link delay determines the source and destination IP addresses used in the OAM packet based on the IP address of the interface, where the delay measurement operation is enabled. This feature enables using the IPv6 link-local address as the OAM packet source IP address, when no IPv4 or IPv6 address is configured in the interface. |

The PM for link delay uses the IP/UDP packet format defined in RFC 5357 (TWAMP-Light) for probes. Two-Way Active Measurement Protocol (TWAMP) adds two-way or round-trip measurement capabilities. TWAMP employs time stamps applied at the echo destination (reflector) to enable greater accuracy. In the case of TWAMP Light, the Session-Reflector doesn't necessarily know about the session state. The Session-Reflector simply copies the Sequence Number of the received packet to the Sequence Number field of the reflected packet. The controller receives the reflected test packets and collects two-way metrics. This architecture allows for collection of two-way metrics.

## Usage Guidelines and Restrictions for PM for Link Delay

The following restrictions and guidelines apply for the PM for link delay feature for different links.

- For broadcast links, only point-to-point (P2P) links are supported. P2P configuration on IGP is required for flooding the value.
- For link bundles, the hashing function may select a member link for forwarding but the reply may come from the remote line card on a different member link of the bundle.
- For one-way delay measurement, clocks should be synchronized on two end-point nodes of the link using PTP.
- Link delay measurement is supported on IPv4 unnumbered interfaces. An IPv4 unnumbered interface is identified by a node ID (a loopback address) and the local SNMP index assigned to the interface. Note that the reply messages could be received on any interface, since the packets are routed at the responder based on the loopback address used to identify the link.

## Configuration Example: PM for Link Delay

This example shows how to configure performance-measurement functionalities for link delay as a global default profile. The default values for the different parameters in the PM for link delay is given as follows:

- **probe measurement mode:** The default measurement mode for probe is two-way delay measurement. If you are configuring one-way delay measurement, hardware clocks must be synchronized between the

local-end and remote-end routers using precision time protocol (PTP). See [Measurement Modes, on page 2](#) for more information.

- **protocol:** Interface delay measurement using RFC 5357 with IP/UDP encapsulation (TWAMP-Light).
- **burst interval:** Interval for sending probe packet. The default value is 3000 milliseconds and the range is from 30 to 15000 milliseconds.
- **computation interval:** Interval for metric computation. Default is 30 seconds; range is 1 to 3600 seconds.
- **periodic advertisement:** Periodic advertisement is enabled by default.
- **periodic-advertisement interval:** The default value is 120 seconds and the interval range is from 30 to 3600 seconds.
- **periodic-advertisement threshold:** Checks the minimum-delay metric change for threshold crossing for periodic advertisement. The default value is 10 percent and the range is from 0 to 100 percent.
- **periodic-advertisement minimum change:** The default value is 1000 microseconds (usec) and the range is from 0 to 100000 microseconds.
- **accelerated advertisement:** Accelerated advertisement is disabled by default.
- **accelerated-advertisement threshold:** Checks the minimum-delay metric change for threshold crossing for accelerated advertisement. The default value is 20 percent and the range is from 0 to 100 percent.
- **accelerated-advertisement minimum change:** The default value is 500 microseconds and the range is from 0 to 100000 microseconds.

```
RP/0/0/CPU0:router(config)# performance-measurement delay-profile interfaces
RP/0/0/CPU0:router(config-pm-dm-intf)# probe
RP/0/0/CPU0:router(config-pm-dm-intf-probe)# measurement-mode one-way
RP/0/0/CPU0:router(config-pm-dm-intf-probe)# burst-interval 60
RP/0/0/CPU0:router(config-pm-dm-intf-probe)# computation-interval 60
RP/0/0/CPU0:router(config-pm-dm-intf-probe)# exit

RP/0/0/CPU0:router(config-pm-dm-intf)# advertisement periodic
RP/0/0/CPU0:router(config-pm-dm-intf-adv-per)# interval 120
RP/0/0/CPU0:router(config-pm-dm-intf-adv-per)# threshold 20
RP/0/0/CPU0:router(config-pm-dm-intf-adv-per)# minimum-change 1000
RP/0/0/CPU0:router(config-pm-dm-intf-adv-per)# exit

RP/0/0/CPU0:router(config-pm-dm-intf)# advertisement accelerated
RP/0/0/CPU0:router(config-pm-dm-intf-adv-acc)# threshold 30
RP/0/0/CPU0:router(config-pm-dm-intf-adv-acc)# minimum-change 1000
RP/0/0/CPU0:router(config-pm-dm-intf-adv-acc)# exit
```

### Configure the UDP Destination Port

Configuring the UDP port for TWAMP-Light protocol is optional. By default, PM uses port 862 as the TWAMP-reserved UDP destination port for delay.

The UDP port is configured for each PM measurement probe type (delay, loss, protocol, authentication mode, etc.) on querier and responder nodes. If you configure a different UDP port, the UDP port for each PM measurement probe type must match on the querier and the responder nodes.



**Note** The same UDP destination port is used for delay measurement for links and SR Policy.

This example shows how to configure the UDP destination port for delay.

```
Router(config)# performance-measurement
Router(config-perf-meas)# protocol twamp-light
Router(config-pm-protocol)# measurement delay unauthenticated
Router(config-pm-PROTO-mode)# querier-dst-port 12000
```

### Enable PM for Link Delay Over an Interface

This example shows how to enable PM for link delay over an interface.

```
RP/0/0/CPU0:router(config)# performance-measurement
RP/0/0/CPU0:router(config-perf-meas)# interface TenGigE0/0/0/0
RP/0/0/CPU0:router(config-pm-intf)# next-hop ipv4 10.10.10.2 // Optional IPv4 or IPv6
next-hop address
RP/0/0/CPU0:router(config-pm-intf)# delay-measurement
RP/0/0/CPU0:router(config-pm-intf-dm)# exit
```

The source and destination IP addresses used in the OAM packet are determined by the IP address present on the interface where the delay-measurement operation is enabled and the setting of the optional **next-hop** address.

When the **next-hop** address is not specified, the following rules apply to determine the source and destination IP addresses used in the OAM packet:

- If an IPv4 address is configured under the interface, then:
  - OAM packet source IP address = Interface's IPv4 address
  - OAM packet destination IP address = 127.0.0.0
- Else, if an IPv6 global address is configured under the interface, then:
  - OAM packet source IP address = Interface's IPv6 global address
  - OAM packet destination IP address = 0::ff:127.0.0.0
- Else, if an IPv6 link-local address is assigned to the interface, then:
  - OAM packet source IP address = Interface's IPv6 link-local address
  - OAM packet destination IP address = 0::ff:127.0.0.0

When the **next-hop {ipv4 | ipv6}** address is configured, the following rules apply to determine the source and destination IP addresses used in the OAM packet:

- If a next-hop IPv4 address is configured, then:
  - OAM packet source IP address = Interface's IPv4 address
  - OAM packet destination IP address = Configured next-hop IPv4 address




---

**Note** If there is no IPv4 address configured under the interface, then the delay-measurement probe does not send OAM packets.

---

- If a next-hop IPv6 address is configured, then:
  - OAM packet source IP address = Interface's IPv6 global address
  - OAM packet destination IP address = Configured next-hop IPv6 address




---

**Note** If there is no IPv6 global address configured under the interface, then the delay-measurement probe does not send OAM packets.

---

This example shows how to enable PM for link delay over an interface with IPv4 address configured:

```
interface TenGigE0/0/0/0
  ipv4 address 10.10.10.1 255.255.255.0

performance-measurement
  interface TenGigE0/0/0/0
    delay-measurement
```

This example shows how to enable PM for link delay over an interface IPv6 address configured:

```
interface TenGigE0/0/0/0
  ipv6 address 10:10:10::1/64

performance-measurement
  interface TenGigE0/0/0/0
    delay-measurement
```

This example shows how to enable PM for link delay over an interface with a specified next-hop IPv4 address:

```
interface TenGigE0/0/0/0
  ipv4 address 10.10.10.1 255.255.255.0

performance-measurement
  interface TenGigE0/0/0/0
    next-hop ipv4 10.10.10.2
    delay-measurement
```

This example shows how to enable PM for link delay over an interface with a specified next-hop IPv6 address:

```
interface TenGigE0/0/0/0
  ipv6 address 10:10:10::1/64

performance-measurement
  interface TenGigE0/0/0/0
    next-hop ipv6 10:10:10::2
    delay-measurement
```



This example shows how to enable PM for link delay over an interface with only IPv6 link-local address:

```
interface TenGigE0/0/0/0
  ipv6 enable

performance-measurement
  interface TenGigE0/0/0/0
    delay-measurement
```

## Verification

```
RP/0/0/CPU0:router# show performance-measurement profile interface
Thu Dec 12 14:13:16.029 PST
```

```
-----
0/0/CPU0
-----
```

```
Interface Delay-Measurement:
  Profile configuration:
    Measurement Type           : Two-Way
    Probe computation interval  : 30 (effective: 30) seconds
    Type of services            : Traffic Class: 6, DSCP: 48
    Burst interval              : 3000 (effective: 3000) mSec
    Burst count                 : 10 packets
    Encap mode                  : UDP
    Payload Type                : TWAMP-light
    Destination sweeping mode   : Disabled
    Periodic advertisement      : Enabled
      Interval                  : 120 (effective: 120) sec
      Threshold                 : 10%
      Minimum-Change            : 500 uSec
    Advertisement accelerated   : Disabled
    Threshold crossing check    : Minimum-delay
```

```
RP/0/0/CPU0:router# show performance-measurement summary detail location 0/2/CPU0
```

```
Thu Dec 12 14:09:59.162 PST
```

```
-----
0/2/CPU0
-----
```

```
Total interfaces           : 1
Total SR Policies          : 0
Total RSVP-TE tunnels      : 0
Total Maximum PPS          : 2000 pkts/sec
Total Interfaces PPS       : 0 pkts/sec
Maximum Allowed Multi-hop PPS : 2000 pkts/sec
Multi Hop Requested PPS    : 0 pkts/sec (0% of max allowed)
Dampened Multi Hop Requested PPS : 0% of max allowed
Inuse Burst Interval Adjustment Factor : 100% of configuration
```

```
Interface Delay-Measurement:
  Total active sessions     : 1
  Counters:
    Packets:
      Total sent             : 26
      Total received         : 26
    Errors:
      TX:
        Reason interface down : 0
```

```

Reason no MPLS caps : 0
Reason no IP address : 0
Reason other : 0
RX:
Reason negative delay : 0
Reason delay threshold exceeded : 0
Reason missing TX timestamp : 0
Reason missing RX timestamp : 0
Reason probe full : 0
Reason probe not started : 0
Reason control code error : 0
Reason control code notif : 0
Probes:
Total started : 3
Total completed : 2
Total incomplete : 0
Total advertisements : 0

SR Policy Delay-Measurement:
Total active sessions : 0
Counters:
Packets:
Total sent : 0
Total received : 0
Errors:
TX:
Reason interface down : 0
Reason no MPLS caps : 0
Reason no IP address : 0
Reason other : 0
RX:
Reason negative delay : 0
Reason delay threshold exceeded : 0
Reason missing TX timestamp : 0
Reason missing RX timestamp : 0
Reason probe full : 0
Reason probe not started : 0
Reason control code error : 0
Reason control code notif : 0
Probes:
Total started : 0
Total completed : 0
Total incomplete : 0
Total advertisements : 0

RSVP-TE Delay-Measurement:
Total active sessions : 0
Counters:
Packets:
Total sent : 0
Total received : 0
Errors:
TX:
Reason interface down : 0
Reason no MPLS caps : 0
Reason no IP address : 0
Reason other : 0
RX:
Reason negative delay : 0
Reason delay threshold exceeded : 0
Reason missing TX timestamp : 0
Reason missing RX timestamp : 0
Reason probe full : 0
Reason probe not started : 0

```

```

Reason control code error      : 0
Reason control code notif     : 0
Probes:
Total started                  : 0
Total completed                : 0
Total incomplete               : 0
Total advertisements           : 0

```

```

Global Delay Counters:
Total packets sent             : 26
Total query packets received   : 26
Total invalid session id       : 0
Total missing session          : 0

```

```

RP/0/0/CPU0:router# show performance-measurement interfaces detail
Thu Dec 12 14:16:09.692 PST

```

```

-----
0/0/CPU0
-----

```

```

-----
0/2/CPU0
-----

```

```

Interface Name: GigabitEthernet0/2/0/0 (ifh: 0x1004060)
Delay-Measurement              : Enabled
Loss-Measurement               : Disabled
Configured IPv4 Address        : 10.10.10.2
Configured IPv6 Address        : 10:10:10::2
Link Local IPv6 Address        : fe80::3a:6fff:fec9:cd6b
Configured Next-hop Address    : Unknown
Local MAC Address              : 023a.6fc9.cd6b
Next-hop MAC Address           : 0291.e460.6707
Primary VLAN Tag                : None
Secondary VLAN Tag             : None
State                           : Up

```

```

Delay Measurement session:
Session ID      : 1

```

```

Last advertisement:
Advertised at: Dec 12 2019 14:10:43.138 (326.782 seconds ago)
Advertised reason: First advertisement
Advertised delays (uSec): avg: 839, min: 587, max: 8209, variance: 297

```

```

Next advertisement:
Threshold check scheduled in 1 more probe (roughly every 120 seconds)
Aggregated delays (uSec): avg: 751, min: 589, max: 905, variance: 112
Rolling average (uSec): 756

```

```

Current Probe:
Started at Dec 12 2019 14:15:43.154 (26.766 seconds ago)
Packets Sent: 9, received: 9
Measured delays (uSec): avg: 795, min: 631, max: 1199, variance: 164
Next probe scheduled at Dec 12 2019 14:16:13.132 (in 3.212 seconds)
Next burst packet will be sent in 0.212 seconds
Burst packet sent every 3.0 seconds
Probe samples:

```

| Packet Rx Timestamp      | Measured Delay (nsec) |
|--------------------------|-----------------------|
| Dec 12 2019 14:15:43.156 | 689223                |
| Dec 12 2019 14:15:46.156 | 876561                |
| Dec 12 2019 14:15:49.156 | 913548                |
| Dec 12 2019 14:15:52.157 | 1199620               |
| Dec 12 2019 14:15:55.156 | 794008                |

```

Dec 12 2019 14:15:58.156          631437
Dec 12 2019 14:16:01.157          656440
Dec 12 2019 14:16:04.157          658267
Dec 12 2019 14:16:07.157          736880

```

You can also use the following commands for verifying the PM for link delay on the local-end router.

| Command   | Description  |
|---|--|
| <b>show performance-measurement history probe interfaces</b> [ <i>interface</i> ]                             | Displays the PM link-delay probe history for interfaces.         |
| <b>show performance-measurement history aggregated interfaces</b> [ <i>interface</i> ]                        | Displays the PM link-delay aggregated history for interfaces.    |
| <b>show performance-measurement history advertisement interfaces</b> [ <i>interface</i> ]                     | Displays the PM link-delay advertisement history for interfaces. |
| <b>show performance-measurement counters</b> [ <i>interface interface</i> ] [ <i>location location-name</i> ] | Displays the PM link-delay session counters.                     |

You can also use the following commands for verifying the PM for link-delay configuration on the remote-end router.

| Command   | Description  |
|---|--|
| <b>show performance-measurement responder summary</b> [ <i>location location-name</i> ]                                 | Displays the PM for link-delay summary on the remote-end router (responder). |
| <b>show performance-measurement responder interfaces</b> [ <i>interface</i> ]   | Displays PM for link-delay for interfaces on the remote-end router.          |
| <b>show performance-measurement responder counters</b> [ <i>interface interface</i> ] [ <i>location location-name</i> ] | Displays the PM link-delay session counters on the remote-end router.        |

### Configure a Static Delay Value on an Interface

You can configure an interface to advertise a static delay value, instead of the measured delay value. When you configure a static delay value, the advertisement is triggered immediately. The average, minimum, and maximum advertised values will use the static delay value, with a variance of 0.

Scheduled probes will continue, and measured delay metrics will be aggregated and stored in history buffer. However, advertisement threshold checks are suppressed so that there are no advertisements of the actual measured delay values. If the configured static delay value is removed, the next scheduled advertisement threshold check will update the advertised measured delay values.

The static delay value can be configured from 1 to 16777215 microseconds (16.7 seconds).

This example shows how to configure a static delay of 1000 microseconds:

```

RP/0/0/CPU0:router(config)# performance-measurement
RP/0/0/CPU0:router(config-perf-meas)# interface TenGigE0/0/0/0
RP/0/0/CPU0:router(config-pm-intf)# delay-measurement
RP/0/0/CPU0:router(config-pm-intf-dm)# advertise-delay 1000

```

### Running Configuration

```

performance-measurement
 interface GigabitEthernet0/0/0/0
   delay-measurement
     advertise-delay 1000
   !
 !
 !

```

## Verification

```
RP/0/RSP0/CPU0:ios# show performance-measurement interfaces detail
```

```
-----
0/0/CPU0
-----
```

```

Interface Name: GigabitEthernet0/0/0/0 (ifh: 0x0)
  Delay-Measurement           : Enabled

. . .

Last advertisement:
  Advertised at: Nov 29 2021 21:53:00.656 (7.940 seconds ago)
  Advertised reason: Advertise delay config
  Advertised delays (uSec): avg: 1000, min: 1000, max: 1000, variance: 0

. . .

```

## SR Performance Measurement Named Profiles

You can create a named performance measurement profile for delay or liveness.

### Delay Profile

This example shows how to create a named SR performance measurement delay profile.

```

Router(config)# performance-measurement delay-profile sr-policy profile2
Router(config-pm-dm-srpolicy)# probe
Router(config-pm-dm-srpolicy-probe)# burst-interval 60
Router(config-pm-dm-srpolicy-probe)# computation-interval 60
Router(config-pm-dm-srpolicy-probe)# protocol twamp-light
Router(config-pm-dm-srpolicy-probe)# tos dscp 63

Router(config-pm-dm-srpolicy)# advertisement
Router(config-pm-dm-srpolicy-adv)# periodic
Router(config-pm-dm-srpolicy-adv-per)# interval 60
Router(config-pm-dm-srpolicy-adv-per)# minimum-change 1000
Router(config-pm-dm-srpolicy-adv-per)# threshold 20
Router(config-pm-dm-srpolicy-adv-per)# commit

```

Apply the delay profile for an SR Policy.

```

Router(config)# segment-routing traffic-eng
Router(config-sr-te)# policy TEST
Router(config-sr-te-policy)# color 4 end-point ipv4 10.10.10.10
Router(config-sr-te-policy)# performance-measurement
Router(config-sr-te-policy-perf-meas)# delay-measurement delay-profile name profile2

Router(config-sr-te-policy)# candidate-paths
Router(config-sr-te-policy-path)# preference 100
Router(config-sr-te-policy-path-pref)# explicit segment-list LIST1
Router(config-sr-te-policy-path-pref)# weight 2

```

```
Router(config-sr-te-policy-path-pref)# explicit segment-list LIST2
Router(config-sr-te-pp-info)# weight 3
```

### Running Configuration

```
Router# show run segment-routing traffic-eng policy TEST

segment-routing
traffic-eng
policy TEST
color 4 end-point ipv4 10.10.10.10
candidate-paths
preference 100
explicit segment-list LIST1
weight 2
!
explicit segment-list LIST2
weight 3
!
!
!
!
performance-measurement
delay-measurement
delay-profile name profile2
```

### Verification

```
Router# show performance-measurement profile named-profile delay sr-policy name profile2
```

```
-----
0/RSP0/CPU0
-----
SR Policy Delay Measurement Profile Name: profile2
Profile configuration:
  Measurement mode           : One-way
  Protocol type              : TWAMP-light
  Encap mode                  : UDP
  Type of service:
    PM-MPLS traffic class    : 6
    TWAMP-light DSCP         : 63
  Probe computation interval : 60 (effective: 60) seconds
  Burst interval              : 60 (effective: 60) mSec
  Packets per computation interval : 1000
  Periodic advertisement     : Enabled
    Interval                  : 60 (effective: 60) sec
    Threshold                  : 20%
    Minimum-change            : 1000 uSec
  Advertisement accelerated   : Disabled
  Advertisement logging:
    Delay exceeded            : Disabled (default)
    Threshold crossing check  : Maximum-delay
  Router alert                 : Disabled (default)
  Destination sweeping mode   : Disabled
  Liveness detection parameters:
    Multiplier                 : 3
    Logging state change       : Disabled
```

### On-Demand SR Policy

```
Router(config-sr-te)# on-demand color 20
Router(config-sr-te-color)# performance-measurement delay-measurement
Router(config-sr-te-color-delay-meas)# delay-profile name profile2
Router(config-sr-te-color-delay-meas)# commit
```

### Running Configuration

```
Router# show run segment-routing traffic-eng on-demand color 20

segment-routing
 traffic-eng
  on-demand color 20
  performance-measurement
  delay-measurement
  delay-profile name profile2
```

### Liveness Profile

This example shows how to create a *named* SR performance measurement liveness profile.

```
Router(config)# performance-measurement liveness-profile sr-policy name profile3
Router(config-pm-ld-srpolicy)# probe
Router(config-pm-ld-srpolicy-probe)# burst-interval 60
Router(config-pm-ld-srpolicy-probe)# measurement-mode loopback
Router(config-pm-ld-srpolicy-probe)# tos dscp 10
Router(config-pm-ld-srpolicy-probe)# liveness-detection
Router(config-pm-ld-srpolicy-probe)# multiplier 5
Router(config-pm-ld-srpolicy-probe)# commit
```

### Apply the Liveness Profile for the SR Policy

This example shows how to enable PM for SR policy liveness for a specific policy.

For the same policy, you cannot enable delay-measurement (delay-profile) and liveness-detection (liveness-profile) at the same time. For example, if delay measurement is enabled, use the **no delay-measurement** command to disable it, and then enable the following command for enabling liveness detection.

```
Router(config)# segment-routing traffic-eng
Router(config-sr-te)# policy TRST2
Router(config-sr-te-policy)# color 40 end-point ipv4 20.20.20.20
Router(config-sr-te-policy)# candidate-paths
Router(config-sr-te-policy-path)# preference 50
Router(config-sr-te-policy-path-pref)# explicit segment-list LIST3
Router(config-sr-te-pp-info)# weight 2

Router(config-sr-te-policy-path-pref)# explicit segment-list LIST4
Router(config-sr-te-pp-info)# weight 3

Router(config-sr-te-policy)# performance-measurement
Router(config-sr-te-policy-perf-meas)# liveness-detection liveness-profile name profile3
```

### Running Configuration

```
Router# show run segment-routing traffic-eng policy TRST2

segment-routing
 traffic-eng
  policy TRST2
  color 40 end-point ipv4 20.20.20.20
  candidate-paths
  preference 50
  explicit segment-list LIST3
  weight 2
  !
  explicit segment-list LIST4
  weight 3
  !
  !
  performance-measurement
```

```

liveness-detection
  liveness-profile name profile3
!
```

## Verification

```
Router# show performance-measurement profile named-profile delay
```

```

-----
0/RSP0/CPU0
-----

SR Policy Liveness Detection Profile Name: profile1
Profile configuration:
  Measurement mode           : Loopback
  Protocol type              : TWAMP-light
  Type of service:
    TWAMP-light DSCP         : 10
  Burst interval             : 60 (effective: 60) mSec
  Destination sweeping mode  : Disabled
  Liveness detection parameters:
    Multiplier                : 3
    Logging state change      : Disabled

SR Policy Liveness Detection Profile Name: profile3
Profile configuration:
  Measurement mode           : Loopback
  Protocol type              : TWAMP-light
  Type of service:
    TWAMP-light DSCP         : 10
  Burst interval             : 60 (effective: 60) mSec
  Destination sweeping mode  : Disabled
  Liveness detection parameters:
    Multiplier                : 3
    Logging state change      : Disabled
```

## On-Demand SR Policy

For the same policy, you cannot enable delay-measurement (delay-profile) and liveness-detection (liveness-profile) at the same time. For example, to disable delay measurement, use the **no delay-measurement** command, and then enable the following command for enabling liveness detection.

```

Router(config-sr-te)# on-demand color 30
Router(config-sr-te-color)# performance-measurement
Router(config-sr-te-color-pm)# liveness-detection liveness-profile name profile1
Router(config-sr-te-color-delay-meas)# commit
```

## Running Configuration

```

Router# show run segment-routing traffic-eng on-demand color 30

segment-routing
 traffic-eng
  on-demand color 30
  performance-measurement
  liveness-detection
    liveness-profile name profile1
!
```

## Verification

```

Router# show performance-measurement profile named-profile liveness sr-policy name profile1

-----
0/RSP0/CPU0
-----
```



```

SR Policy Liveness Detection Profile Name: profile1
Profile configuration:
  Measurement mode           : Loopback
  Protocol type              : TWAMP-light
  Type of service:
    TWAMP-light DSCP         : 10
  Burst interval             : 60 (effective: 60) mSec
  Destination sweeping mode  : Disabled
  Liveness detection parameters:
    Multiplier                : 3
    Logging state change     : Disabled

```

## Delay Normalization

*Table 4: Feature History Table*

| Feature Name                       | Release Information | Feature Description   |
|------------------------------------|---------------------|---|
| SR-TE Delay Normalization for OSPF | Release 7.3.1       | This feature extends the current Delay Normalization feature to support OSPF. |

Performance measurement (PM) measures various link characteristics like packet loss and delay. Such characteristics can be used by IS-IS as a metric for Flexible Algorithm computation. Low latency routing using dynamic delay measurement is one of the primary use cases for Flexible Algorithm technology.

Delay is measured in microseconds. If delay values are taken as measured and used as link metrics during the IS-IS topology computation, some valid ECMP paths might be unused because of the negligible difference in the link delay.

The Delay Normalization feature computes a normalized delay value and uses the normalized value instead. This value is advertised and used as a metric during the Flexible Algorithm computation.

The normalization is performed when the delay is received from the delay measurement component. When the next value is received, it is normalized and compared to the previous saved normalized value. If the values are different, then the LSP generation is triggered.

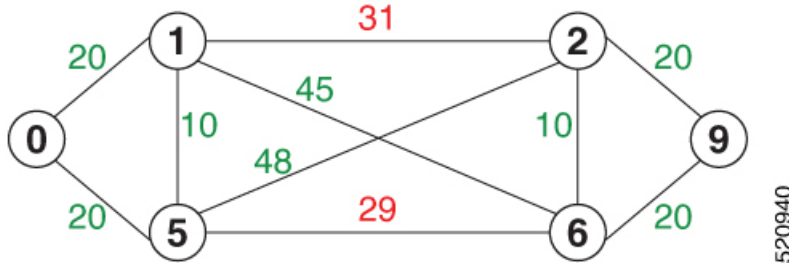
The following formula is used to calculate the normalized value:

- **Dm** – measured Delay
- **Int** – configured normalized Interval
- **Off** – configured normalized Offset (must be less than the normalized interval Int)
- **Dn** – normalized Delay
- **a** =  $Dm / Int$  (rounded down)
- **b** =  $a * Int + Off$

If the measured delay (**Dm**) is less than or equal to **b**, then the normalized delay (**Dn**) is equal to **b**. Otherwise, **Dn** is **b + Int**.

**Example**

The following example shows a low-latency service. The intent is to avoid high-latency links (1-6, 5-2). Links 1-2 and 5-6 are both low-latency links. The measured latency is not equal, but the difference is insignificant.



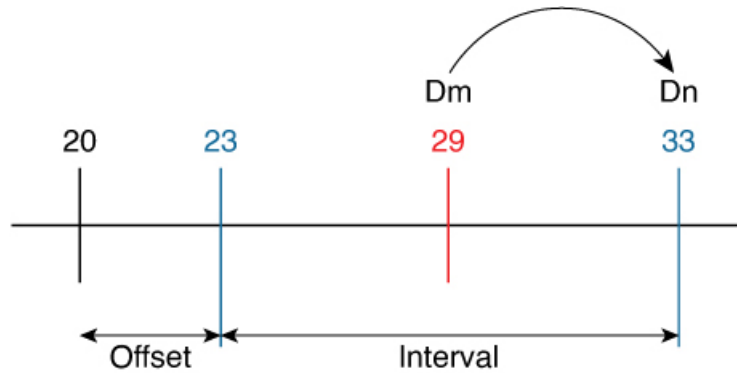
We can normalize the measured latency before it is advertised and used by IS-IS. Consider a scenario with the following:

- Interval = 10
- Offset = 3

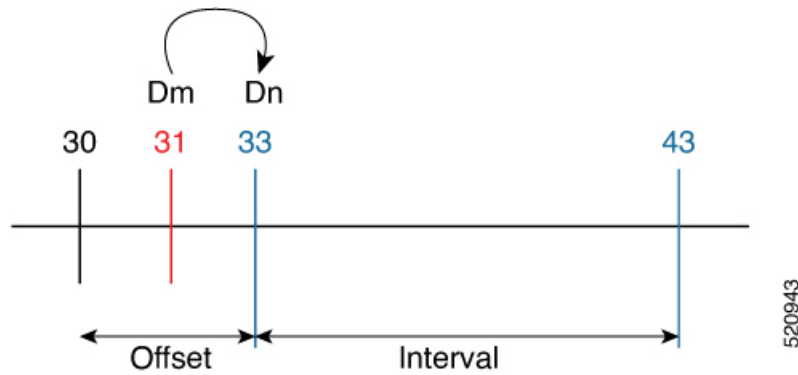
The measured delays will be normalized as follows:

- **Dm** = 29  
 $a = 29 / 10 = 2$  (2.9, rounded down to 2)  
 $b = 2 * 10 + 3 = 23$

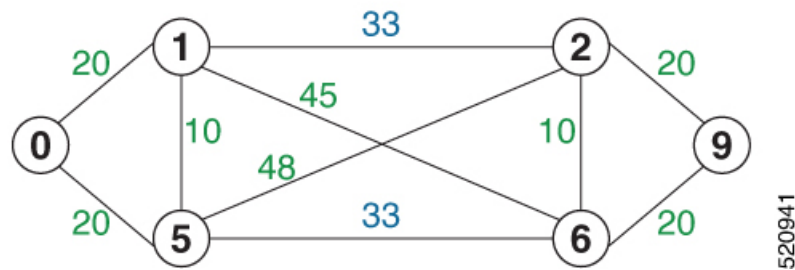
In this case, **Dm** (29) is greater than **b** (23); so **Dn** is equal to **b+I** (23 + 10) = **33**



- **Dm** = 31  
 $a = 31 / 10 = 3$  (3.1, rounded down to 3)  
 $b = 3 * 10 + 3 = 33$
- In this case, **Dm** (31) is less than **b** (33); so **Dn** is **b** = **33**



The link delay between 1-2 and 5-6 is normalized to 33.



**Configuration**

Delay normalization is disabled by default. To enable and configure delay normalization, use the **delay normalize interval interval [offset offset]** command.

- *interval* – The value of the normalize interval in microseconds.
- *offset* – The value of the normalized offset in microseconds. This value must be smaller than the value of normalized interval.

**IS-IS Configuration**

```
router isis 1
interface GigEth 0/0/0/0
  delay normalize interval 10 offset 3
address-family ipv4 unicast
metric 77
```

**OSPF Configuration**

```
router ospf 1
area 0
interface GigabitEthernet0/0/0/0
  delay normalize interval 10 offset 3
!
```

# Link Anomaly Detection with IGP Penalty

Table 5: Feature History Table

| Feature Name                            | Release Information | Feature Description   |
|---|---------------------|---|
| Link Anomaly Detection with IGP Penalty | Release 7.4.1       | This feature allows you to define thresholds above the measured delay that is considered “anomalous” or unusual. When this threshold is exceeded, an anomaly (A) bit/flag is set along with link delay attribute that is sent to clients. |

Customers might experience performance degradation issues, such as increased latency or packet loss on a link. Degraded links might be difficult to troubleshoot and can affect applications, especially in cases where traffic is sent over multiple ECMP paths where one of those paths is degraded.

The Anomaly Detection feature allows you to define a delay anomaly threshold to identify unacceptable link delays. Nodes monitor link performance using link delay monitoring probes. The measured value is compared against the delay anomaly threshold values. When the upper bound threshold is exceeded, the link is declared “abnormal”, and performance measurement sets an anomaly bit (A-bit). When IGP receives the A-bit, IGP can automatically increase the IGP metric of the link by a user-defined amount to make this link undesirable or unusable. When the link recovers (lower bound threshold), PM resets the A-bit.

For information on configuring IGP penalty, see the following:

- [IS-IS Penalty for Link Delay Anomaly](#)
- [OSPF Penalty for Link Delay Anomaly](#)

## Usage Guidelines and Limitations

This feature is not active when narrow metrics are configured because the performance measurement advertisement requires the “wide” metric type length values.

## Configuration Example

The following example shows how to configure the upper and lower anomaly thresholds. The range for *upper\_bound* and *lower\_bound* is from 1 to 200,000 microseconds. The *lower\_bound* value must be less than the *upper\_bound* value.

```
RP/0/0/CPU0:router(config)# performance-measurement delay-profile interfaces default
RP/0/0/CPU0:router(config-pm-dm-intf)# advertisement
RP/0/0/CPU0:router(config-pm-dm-intf-adv)# anomaly-check upper-bound 5000 lower-bound 1000
RP/0/0/CPU0:router(config-pm-dm-intf-adv)# commit
```

## Running Configuration

```
performance-measurement
 delay-profile interfaces default
  advertisement
  anomaly-check
  upper-bound 5000 lower-bound 1000
```

```

!
!
!
!
end

```

## IP Endpoint Liveness Monitoring

**Table 6: Feature History Table**

| Feature Name  | Release Information | Feature Description  |
|---|---------------------|--|
| IP Endpoint Delay Measurement and Liveness Monitoring | Release 7.4.1       | This feature measures the end-to-end delay and monitors liveness of a specified IP endpoint node, including VRF-aware (awareness of multiple customers belonging to different VRFs).<br><br>This feature is supported on IPv4, IPv6, and MPLS data planes. |

The Segment Routing Performance Measurement (SR-PM) for IP endpoint liveness is a type of node liveness that involves testing whether an IP endpoint or a device identified by an IP address is available to send and receive data.

IP endpoint liveness is verified by sending a request to the IP address of the endpoint and waiting for a response. The probe could be an ICMP echo request (Ping), a TCP packet, a UDP packet, or any other type of packet that the endpoint would respond to.

- If a response is received, the endpoint is considered *live*.
- If no response is received within a certain time frame, the endpoint is considered *down* or *unreachable*.

IP endpoint dynamically measures the liveness towards a specified IP endpoint. IP endpoints can be located in a default or nondefault VRFs. IP endpoint is any device in the network a device identified by an IP address.

Liveness of an IP endpoint is verified by sending a request to the IP address of the endpoint and waiting for a response, which is referred to as a probe.

The endpoint of a probe is defined by an IP address, which can be either IPv4 or IPv6. This IP address can be any address that the sender can reach, such as a local interface or a remote node or host, either within an operator's network or accessible via a VRF.

The endpoint of a probe can be any IP address reachable by the sender. For example, a local interface or a remote node or host located within an operator's network or reachable through a VRF.

The IP address of the endpoint can be reached through an IP path, MPLS, LSP, or IP tunnel (GRE).

- When the endpoint is reachable using an MPLS LSP (for example, SR, LDP, RSVP-TE, SR Policy), the forwarding stage imposes the corresponding MPLS transport labels.
- When the endpoint is reachable via a GRE tunnel, the forwarding stage imposes the corresponding GRE header.

- When the endpoint is reachable via a VRF in an MPLS network, the forwarding stage imposes the corresponding MPLS service labels. In the forward path, the sender node uses the configured VRF for the endpoint address. In the return path, the reflector node derives the VRF based on which incoming VRF label the probe packet is received with.

You can configure the following parameters in the **performance-measurement** command:

- **Endpoint:** The endpoint of a probe is defined by an IP address, which can be either IPv4 or IPv6. This IP address can be any address that the sender can reach, such as a local interface or a remote node or host, either within an operator's network or accessible via a VRF.

The endpoint of a probe can be any IP address reachable by the sender. For example, a local interface or a remote node or host located within an operator's network or reachable through a VRF.

Use the **performance-measurement endpoint** command to configure a probe endpoint source and destination addresses on a sender node.

- **VRF:** You can define the endpoint point IP address belonging to a specific VRF. Use the **performance-measurement endpoint {ipv4 | ipv6} ip\_addr [vrf WORD]** command to configure an endpoint to define the VRF. Endpoint segment list configuration is not supported under nondefault VRF.
  - VRF-awareness allows operators to deploy probes in the following scenarios:
    - Managed Customer Equipment (CE) scenarios:
      - PE to CE probes
      - CE to CE probes
    - Unmanaged Customer Equipment (CE) scenarios:
      - PE to PE probes
      - PE to PE (source from PE-CE interface) probes

- **Source address:** You can define the source of the endpoint using the endpoint specific source address and the global source address.

Global source address configuration is applied to all the endpoints when the endpoint specific source address configuration isn't specified. endpoint specific configuration overrides all the global source address configuration for those specific endpoints for which source addresses are configured.

For Micro-SID configuration for IPv4 endpoint sessions, if IPv6 global source address is configured, then it applies the configured global IPv6 source address for the IPv6 header in the SRv6 packet. If IPv6 global address is not configured, then It does not form a valid SRv6 packet.

You can use the **source-address** keyword under the **performance-measurement** command to define the global source address or use the keyword under **performance-measurement endpoint** to define endpoint specific source address.

### Usage Guidelines and Limitations

- For liveness detection, the session fails to come up when the endpoint address is a regular IPv6 address in a default VRF and that is a normal loopback IP address that uses IGP path. Packets get dropped with the following message. However, this issue does not apply if a segment list is configured.

```
GRE IPv6 decap qualification failed
```

To mitigate this issue, you must configure the GRE tunnel on querier and responder. The following example shows how to configure GRE tunnel:

```
/*Tunnel config on headend*\ninterface tunnel-ipl\n tunnel mode ipv6\n tunnel source 1::1\n tunnel destination 3::1\n !\n\n/*Tunnel config on tailend*\ninterface tunnel-ipl\n tunnel mode ipv6\n tunnel source 3::1\n tunnel destination 1::1
```

- Liveness session without segment list for an endpoint in a non-default VRF is not supported.

## Configuring IP Endpoint Performance Measurement

### Configuring Probe Endpoint Source and Destination Addresses

Observe the following usage guidelines and limitations:

- The endpoint of a probe is specified with an IP address. IPv4 and IPv6 endpoint addresses are supported.
- The endpoint of a probe can be any IP address reachable by the sender. For example, a local interface or a remote node or host located within an operator's network or reachable through a VRF.
- The endpoint's IP address can be located in the global routing table or under a user-specified VRF routing table.
- VRF-awareness allows operators to deploy probes in the following scenarios:
  - Managed Customer Equipment (CE) scenarios:
    - PE to CE probes
    - CE to CE probes
  - Unmanaged Customer Equipment (CE) scenarios:
    - PE to PE probes
    - PE to PE (source from PE-CE interface) probes
- SRv6 locator prefix and VRF SRv6 locator/function (uDT4/uDT6) as IPv6 endpoint of a probe is not supported.
- The endpoint's IP address can be reached through an IP path, MPLS LSP, or IP tunnel (GRE).
- When the endpoint is reachable using an MPLS LSP (for example, SR, LDP, RSVP-TE, SR Policy), the forwarding stage imposes the corresponding MPLS transport labels.
- When the endpoint is reachable via a GRE tunnel, the forwarding stage imposes the corresponding GRE header.

- PM probe over GREv4 is supported.
- When the endpoint is reachable via a VRF in an MPLS network, the forwarding stage imposes the corresponding MPLS service labels. In the forward path, sender node uses the configured VRF for the endpoint address. In the return path, reflector node derives the VRF based on which incoming VRF label the probe packet is received with.

Use the **performance-measurement endpoint** {**ipv4** | **ipv6**} *ip\_addr* [**vrf** *WORD*] **source-address** {**ipv4** | **ipv6**} *ip\_addr* command to configure a probe endpoint source and destination addresses on a sender node.

#### Example:

```
Router(config)# performance-measurement endpoint ipv4 10.1.1.5 source-address ipv4 10.1.1.1
```

```
Router(config)# performance-measurement endpoint ipv4 10.10.10.100 vrf green source-address
ipv4 10.1.1.1
```

### Configuring Probe Description

Use the **performance-measurement endpoint** {**ipv4** | **ipv6**} *ip\_addr* [**vrf** *WORD*] **description** *LINE* command to configure a probe description.

#### Example:

```
Router(config)# performance-measurement endpoint ipv4 10.1.1.5 description Probe to 10.1.1.5
```

```
Router(config)# performance-measurement endpoint ipv4 10.10.10.100 vrf green description
Probe to 10.10.10.100
```

### Configuring Probe Segment-lists

Observe the following usage guidelines and limitations:

- You can specify a custom labeled path via one or more user-configured segment-list. User-configured segment-list represents the forwarding path from sender to reflector when probe configured in delay-measurement mode.
- User-configured segment-list can also represent the reverse path (reflector to sender) when probe configured in liveness-detection mode.
- Up to 128 segment-lists can be configured under a probe.
- An additional PM session is created for each segment-list.
- Examples of the custom segment-list include:
  - Probe in delay-measurement mode with segment-list that includes Flex-Algo prefix SID of the end-point
  - Probe in liveness-detection mode with segment-list that includes both Flex-Algo prefix SID of the end-point and the sender
  - Probe in delay-measurement mode with segment-list that includes SID-list with labels to reach the end-point or the sender (forward direction)



- Probe in liveness-detection mode with segment-list that includes SID-list with labels to reach the end-point and then back to sender (forward and reverse directions, respectively)
  - Probe in delay-measurement mode with segment-list that includes BSID associated with SR policy to reach the end-point
- Endpoint segment list configuration not supported under non-default VRF.

Segment-lists are configured under **segment-routing traffic-eng segment-list** submode. See [SR-TE Policy with Explicit Path](#) for details about configuring segment lists.

Use the **performance-measurement endpoint {ipv4 | ipv6} ip\_addr [vrf WORD] segment-list name WORD** command to configure probe segment-lists.

#### Example:

```
Router(config)# performance-measurement endpoint ipv4 10.1.1.5 segment-list name SIDLIST1
```

```
Router(config)# performance-measurement endpoint ipv4 10.10.10.100 vrf green segment-list name SIDLIST1
```

#### Enabling Delay Measurement

Observe the following usage guidelines and limitations:

- Probe dynamically measures end-to-end performance delay values of an IP endpoint.
- Probe can be configured in either liveness-monitoring or delay-measurement modes; not both concurrently.

Use the **performance-measurement endpoint {ipv4 | ipv6} ip\_addr [vrf WORD] delay-measurement** command to enable delay measurement.

#### Example:

```
Router(config)# performance-measurement endpoint ipv4 10.1.1.5 delay-measurement
```

```
Router(config)# performance-measurement endpoint ipv4 10.10.10.100 vrf green delay-measurement
```

#### Assigning a Delay-Profile to the Probe

Use the **performance-measurement endpoint {ipv4 | ipv6} ip\_addr [vrf WORD] delay-measurement delay-profile name WORD** command to assign a delay-profile associated with the probe.

#### Example:

```
Router(config)# performance-measurement endpoint ipv4 10.1.1.5 delay-measurement delay-profile name PROFILE1
```

```
Router(config)# performance-measurement endpoint ipv4 10.10.10.100 vrf green delay-measurement delay-profile name PROFILE1
```

#### Enabling Liveness Detection

Observe the following usage guidelines and limitations:

- Probe dynamically monitors liveness of an IP endpoint.

- Liveness monitoring uses "self-addressed" PM IP packets crafted by the sender (where IP DA = sender's own IP address); this mode of operation is referred as "loopback mode".
- Liveness monitoring applies to endpoints reachable through MPLS LSP or IP tunnel.
- Liveness monitoring does not apply to endpoints reachable through IP path since sender's self-addressed PM IP packets would not be able to reach the intended endpoint destination.
- Probe can be configured in either liveness-monitoring or delay-measurement modes; not both concurrently.

Use the **performance-measurement endpoint {ipv4 | ipv6} ip\_addr [vrf WORD] liveness-detection** command to enable liveness detection.

#### Example:

```
Router(config)# performance-measurement endpoint ipv4 10.1.1.5 liveness-detection
```

```
Router(config)# performance-measurement endpoint ipv4 10.10.10.100 vrf green
liveness-detection
```

#### Assigning Liveness-Profile to the Probe

Use the **performance-measurement endpoint {ipv4 | ipv6} ip\_addr [vrf WORD] liveness-detection liveness-profile name WORD** command to configure the liveness-profile associated with the probe.

#### Example:

```
Router(config)# performance-measurement endpoint ipv4 10.1.1.5 liveness-detection
liveness-profile name PROFILE3
```

```
Router(config)# performance-measurement endpoint ipv4 10.10.10.100 vrf green
liveness-detection liveness-profile name PROFILE3
```

#### Collecting IP Endpoint Probe Statistics

- Statistics associated with the probe (computed delay metrics and liveness state) are available via Histogram and Streaming Telemetry.
- Model Driven Telemetry (MDT) is supported for the following data:
  - Summary, endpoint, session, and counter show command bags
  - History buffers data
- Model Driven Telemetry (MDT) and Event Driven Telemetry (EDT) are supported for the following data:
  - Delay metrics computed in the last probe computation-interval (event: probe-completed)
  - Delay metrics computed in the last aggregation-interval; i.e. end of the periodic advertisement-interval (event: advertisement-interval expired)
  - Delay metrics last notified (event: notification-triggered)
- The following xpaths for MDT/EDT are supported:

- Cisco-IOS-XR-perf-meas-oper:performance-measurement/nodes/node/endpoints/endpoint-delay/endpoint-last-probes
- Cisco-IOS-XR-perf-meas-oper:performance-measurement/nodes/node/endpoints/endpoint-delay/endpoint-last-aggregations
- Cisco-IOS-XR-perf-meas-oper:performance-measurement/nodes/node/endpoints/endpoint-delay/endpoint-last-advertisements

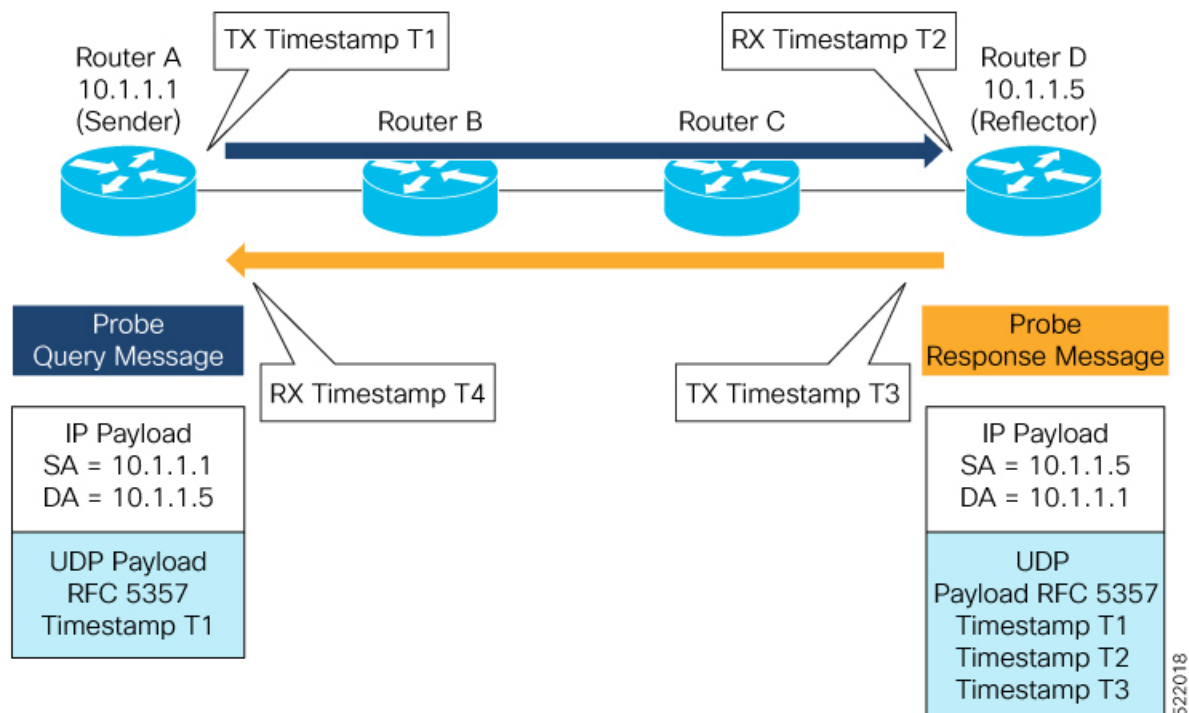
## IP Endpoint Delay Measurement over MPLS Network Usecases

The following use-cases show different ways to deploy delay measurement and liveness detection for IP endpoints.

### Use-Case 1: Delay Measurement Probe Toward an IP Endpoint Reachable in the Global Routing Table

The following figure illustrates a delay measurement probe toward an IP endpoint reachable in the global routing table. The network interconnecting the sender and the reflector provides plain IP connectivity.

Figure 4: Delay Measurement Probe Toward an IP Endpoint Reachable in the Global Routing Table



### Configuration

```

RouterA(config)# performance-measurement
RouterA(config-perf-meas)# endpoint ipv4 10.1.1.5
RouterA(config-pm-ep)# source-address ipv4 10.1.1.1
RouterA(config-pm-ep)# delay-measurement
RouterA(config-pm-ep-dm)# exit
RouterA(config-pm-ep)# exit
RouterA(config-perf-meas)# delay-profile endpoint default
    
```

```
RouterA(config-pm-dm-ep)# probe
RouterA(config-pm-dm-ep-probe)# measurement-mode one-way
```

### Running Configuration

```
performance-measurement
 endpoint ipv4 10.1.1.5
   source-address ipv4 10.1.1.1
   delay-measurement
   !
   !
 delay-profile endpoint default
  probe
  measurement-mode one-way
  !
  !
 !
```

### Verification

```
RouterA# show performance-measurement endpoint ipv4 10.1.1.5
```

---

```
0/RSP0/CPU0
```

---

```
Endpoint name: IPv4-10.1.1.5-vrf-default
Source address      : 10.1.1.1
VRF name           : default
Delay-measurement   : Enabled
Description        : Not set
Profile Keys:
  Profile name      : default
  Profile type     : Endpoint Delay Measurement

Segment-list       : None
Delay Measurement session:
  Session ID       : 33554433
  Last advertisement:
    No advertisements have occurred

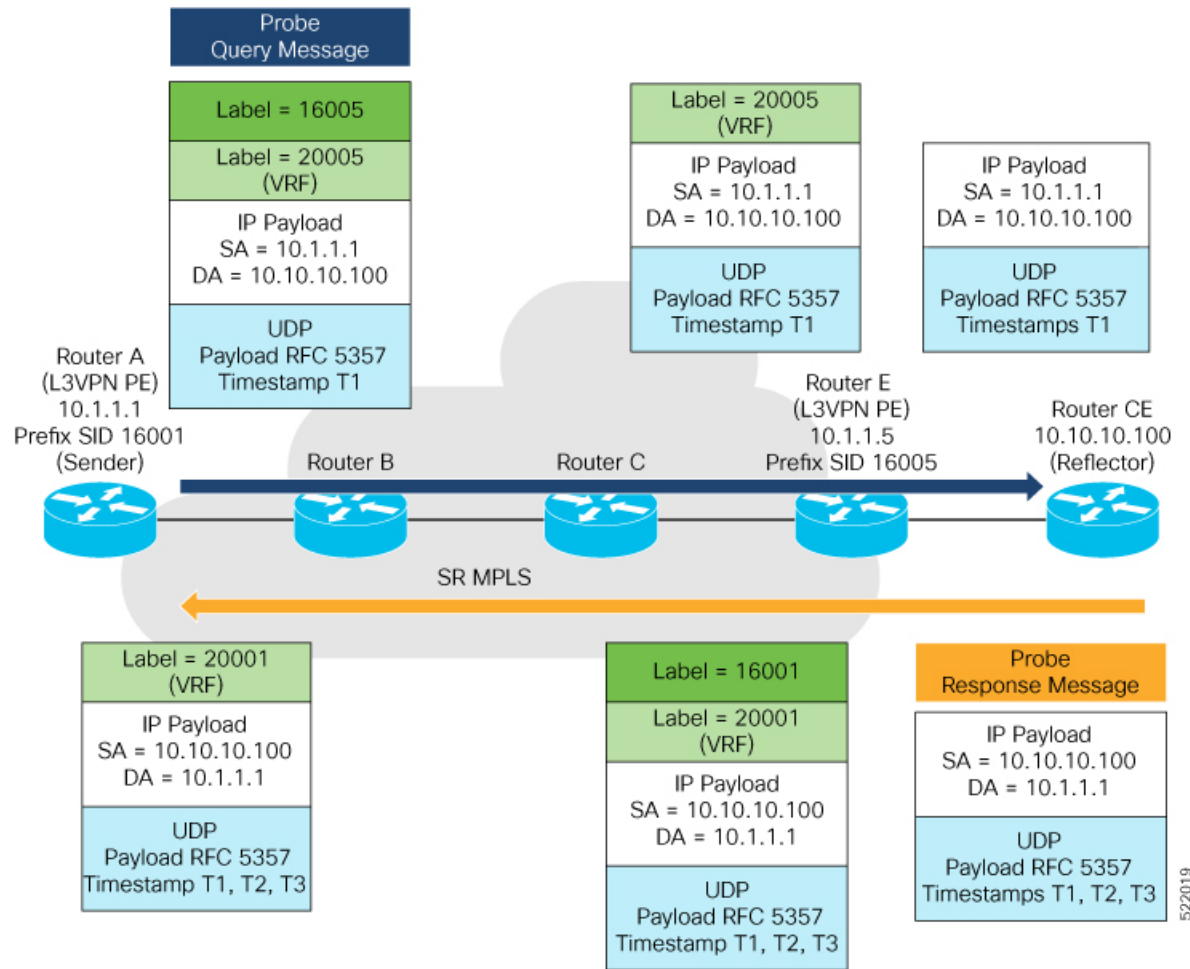
  Next advertisement:
    Threshold check scheduled in 4 more probes (roughly every 120 seconds)
    No probes completed

Current computation:
  Started at: Jul 19 2021 16:28:06.723 (17.788 seconds ago)
  Packets Sent: 6, received: 0
  Measured delays (uSec): avg: 0, min: 0, max: 0, variance: 0
  Next probe scheduled at: Jul 19 2021 16:28:36.718 (in 12.207 seconds)
  Next burst packet will be sent in 0.207 seconds
  Burst packet sent every 3.0 seconds
```

### Use-Case 2: Delay Measurement Probe Toward an IP Endpoint Reachable in a User-Specified VRF

The following figure illustrates a delay measurement probe toward an IP endpoint reachable in a user-specified L3VPN's VRF routing table. The L3VPN ingress PE (Router A) acts as the sender. The reflector is located in a CE device behind the L3VPN egress PE (Router E). The network interconnecting the L3VPN PEs provides MPLS connectivity with Segment Routing.

Figure 5: Delay Measurement Probe Toward an IP Endpoint Reachable in a User-Specified VRF



### Configuration

```
RouterA(config)# performance-measurement
RouterA(config-perf-meas)# endpoint ipv4 10.10.10.100 vrf green
RouterA(config-pm-ep)# source-address ipv4 10.1.1.1
RouterA(config-pm-ep)# delay-measurement
RouterA(config-pm-ep-dm)# exit
RouterA(config-pm-ep)# exit
RouterA(config-perf-meas)# delay-profile endpoint default
RouterA(config-pm-dm-ep)# probe
RouterA(config-pm-dm-ep-probe)# measurement-mode one-way
```

### Running Configuration

```
performance-measurement
 endpoint ipv4 10.10.10.100 vrf green
  source-address ipv4 10.1.1.1
  delay-measurement
  !
  !
 delay-profile endpoint default
 probe
  measurement-mode one-way
```

!  
!  
!

**Verification**

RouterA# `show performance-measurement endpoint vrf green`

0/RSP0/CPU0

```
Endpoint name: IPv4-10.10.10.100-vrf-green
Source address      : 10.1.1.1
VRF name           : green
Delay-measurement  : Enabled
Description        : Not set
Profile Keys:
  Profile name      : default
  Profile type      : Endpoint Delay Measurement

Segment-list       : None
Delay Measurement session:
  Session ID       : 33554434
  Last advertisement:
    No advertisements have occurred

Next advertisement:
  Advertisement not scheduled as the probe is not running

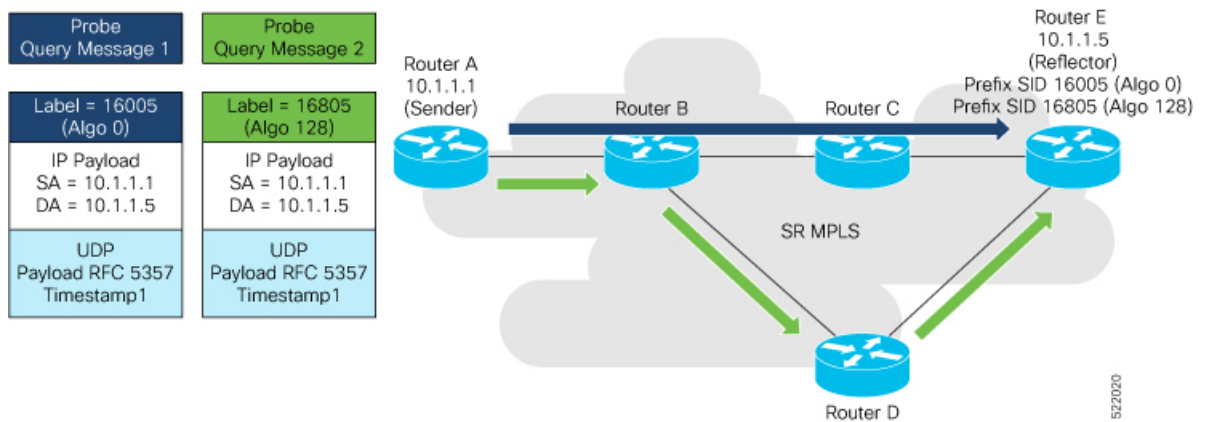
Current computation:
  Not running: Unable to resolve (non-existing) vrf
```

**Use Case 3: Delay Measurement Probe Toward an IP Endpoint Using Custom Labeled Paths**

The following figure illustrates a delay measurement probe toward an IP endpoint learned by the IGP. The network interconnecting the sender and reflector provides MPLS connectivity with Segment Routing.

The IP endpoint is advertised with multiple SR algorithms (Algo 0 and Flex Algo 128). The probe is configured with two custom-labeled paths in order to monitor the LSP for each algorithm separately.

*Figure 6: Delay Measurement Probe Toward an IP Endpoint Using Custom Labeled Paths*





**Note** The probe response messages are not shown in the above figure.

### Configuration

```
RouterA(config)# segment-routing
RouterA(config-sr)# traffic-eng
RouterA(config-sr-te)# segment-list name SIDLIST1-Algo0
RouterA(config-sr-te-sl)# index 10 mpls label 16005
RouterA(config-sr-te-sl)# exit

RouterA(config-sr-te)# segment-list name SIDLIST2-FlexAlgo128
RouterA(config-sr-te-sl)# index 10 mpls label 16085
RouterA(config-sr-te-sl)# exit
RouterA(config-sr-te)# exit
RouterA(config-sr)# exit

RouterA(config)# performance-measurement
RouterA(config-perf-meas)# endpoint ipv4 10.1.1.5
RouterA(config-pm-ep)# source-address ipv4 10.1.1.1
RouterA(config-pm-ep)# segment-list name SIDLIST1-Algo0
RouterA(config-pm-ep-sl)# exit
RouterA(config-pm-ep)# segment-list name SIDLIST2-FlexAlgo128
RouterA(config-pm-ep-sl)# exit
RouterA(config-pm-ep)# delay-measurement
RouterA(config-pm-ep-dm)# exit
RouterA(config-pm-ep)# exit
RouterA(config-perf-meas)# delay-profile endpoint default
RouterA(config-pm-dm-ep)# probe
RouterA(config-pm-dm-ep-probe)# measurement-mode one-way
```

### Running Configuration

```
segment-routing
 traffic-eng
  segment-list SIDLIST1-Algo0
  index 10 mpls label 16005
  !
  segment-list SIDLIST2-FlexAlgo128
  index 10 mpls label 16085
  !
  !
  !
!
performance-measurement
 endpoint ipv4 10.1.1.5
  segment-list name SIDLIST1-Algo0
  !
  segment-list name SIDLIST2-FlexAlgo128
  !
  source-address ipv4 10.1.1.1
  delay-measurement
  !
  !
  delay-profile endpoint default
  probe
  measurement-mode one-way
  !
  !
!
```

### Verification

```
RouterA# show performance-measurement endpoint ipv4 10.1.1.5
```

```
0/RSP0/CPU0
```

```
Endpoint name: IPv4-10.1.1.5-vrf-default
```

```
Source address      : 10.1.1.1
VRF name            : default
Delay-measurement   : Enabled
Description         : Not set
Profile Keys:
  Profile name      : default
  Profile type      : Endpoint Delay Measurement
```

```
Segment-list       : None
```

```
Delay Measurement session:
```

```
Session ID         : 33554433
Last advertisement:
  No advertisements have occurred
```

```
Next advertisement:
```

```
Threshold check scheduled in 4 more probes (roughly every 120 seconds)
No probes completed
```

```
Current computation:
```

```
Started at: Jul 19 2021 16:31:53.827 (15.844 seconds ago)
Packets Sent: 6, received: 0
Measured delays (uSec): avg: 0, min: 0, max: 0, variance: 0
Next probe scheduled at: Jul 19 2021 16:32:22.957 (in 13.286 seconds)
Next burst packet will be sent in 1.286 seconds
Burst packet sent every 3.0 seconds
```

```
Segment-list       : SIDLIST1-Algo0
```

```
Delay Measurement session:
```

```
Session ID         : 33554435
Last advertisement:
  No advertisements have occurred
```

```
Next advertisement:
```

```
Threshold check scheduled in 4 more probes (roughly every 120 seconds)
No probes completed
```

```
Current computation:
```

```
Started at: Jul 19 2021 16:31:53.827 (15.844 seconds ago)
Packets Sent: 4, received: 0
Measured delays (uSec): avg: 0, min: 0, max: 0, variance: 0
Next probe scheduled at: Jul 19 2021 16:32:22.957 (in 13.286 seconds)
Next burst packet will be sent in 2.940 seconds
Burst packet sent every 3.0 seconds
```

```
Segment-list       : SIDLIST2-FlexAlgo128
```

```
Delay Measurement session:
```

```
Session ID         : 33554436
Last advertisement:
  No advertisements have occurred
```

```
Next advertisement:
```

```
Threshold check scheduled in 4 more probes (roughly every 120 seconds)
No probes completed
```

```
Current computation:
```



```

Started at: Jul 19 2021 16:31:53.827 (15.844 seconds ago)
Packets Sent: 4, received: 0
Measured delays (uSec): avg: 0, min: 0, max: 0, variance: 0
Next probe scheduled at: Jul 19 2021 16:32:22.957 (in 13.286 seconds)
Next burst packet will be sent in 2.940 seconds
Burst packet sent every 3.0 seconds
    
```

**Use-Case 4: Liveness Detection Probe Toward an IP Endpoint**

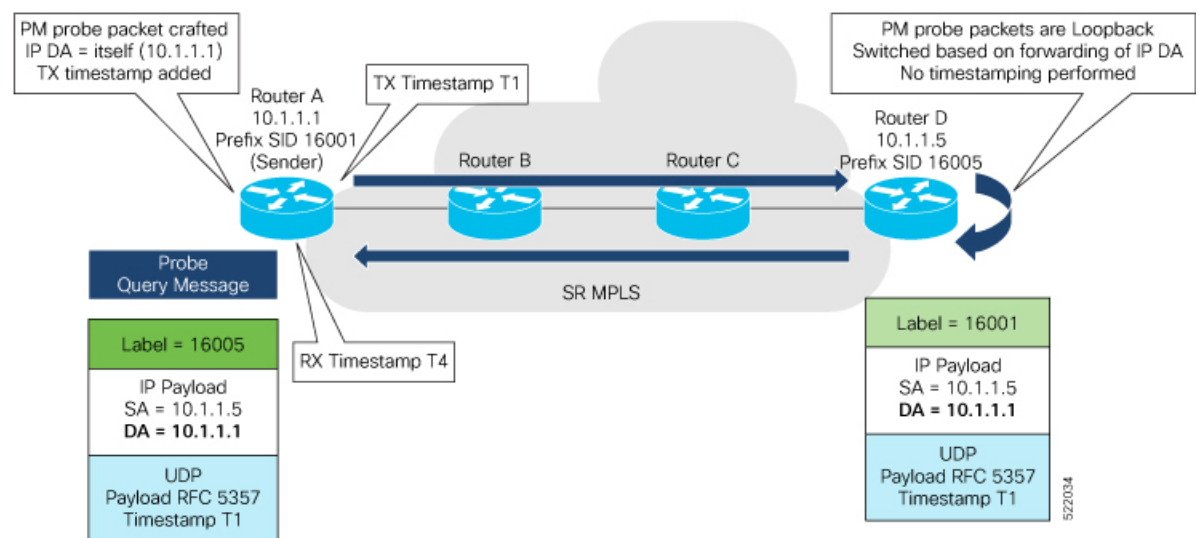
IP endpoint liveness detection leverages the loopback measurement-mode. The following workflow describes the sequence of events.

1. The sender creates and transmits the PM probe packets.  
 The IP destination address (DA) on the probe packets is set to the loopback value of the sender itself.  
 The transmit timestamp (T1) is added to the payload.  
 The probe packet is encapsulated with the label corresponding to the endpoint.
2. The network delivers the PM probe packets following the LSP toward the endpoint.
3. The end-point receives the PM probe packets.  
 Packets are forwarded back to the sender based on the forwarding entry associated with the IP DA of the PM probe packet. If an LSP exists, the probe packet is encapsulated with the label of the sender.
4. The sender node receives the PM probe packets.  
 The received timestamp (T4) stored.  
 If the sender node doesn't receive the specified number of probe packets (based on the configured multiplier), the sender node declares the PM session as down.

The following figure illustrates a liveness detection probe toward an IP endpoint learned by the IGP. The network interconnecting the sender and reflector provides MPLS connectivity with Segment Routing.

The liveness detection multiplier is set to 5 to specify the number of consecutive missed probe packets before the PM session is declared as down.

**Figure 7: IP Endpoint Liveness Detection**



## Configuration

```
RouterA(config)# performance-measurement
RouterA(config-perf-meas)# endpoint ipv4 10.1.1.5
RouterA(config-pm-ep)# source-address ipv4 10.1.1.1
RouterA(config-pm-ep)# liveness-detection
RouterA(config-pm-ep-ld)# exit
RouterA(config-pm-ep)# exit
RouterA(config-perf-meas)# liveness-profile endpoint default
RouterA(config-pm-ld-ep)# liveness-detection
RouterA(config-pm-ld-ep-ld)# multiplier 5
RouterA(config-pm-ld-ep-ld)# exit
RouterA(config-pm-ld-ep)# probe
RouterA(config-pm-ld-ep-probe)# measurement-mode loopback
```

## Running Configuration

```
performance-measurement
  endpoint ipv4 10.1.1.5
  source-address ipv4 10.1.1.1
  liveness-detection
  !
  !
  liveness-profile endpoint default
  liveness-detection
  multiplier 5
  !
  probe
  measurement-mode loopback
  !
  !
  !
end
```

## Verification

```
RouterA# show performance-measurement endpoint ipv4 10.1.1.5
```

```
-----
0/RSP0/CPU0
-----
```

```
Endpoint name: IPv4-10.1.1.5-vrf-default
Source address      : 10.1.1.1
VRF name           : default
Liveness Detection  : Enabled
Profile Keys:
  Profile name      : default
  Profile type      : Endpoint Liveness Detection

Segment-list       : None
Session State: Down
Missed count: 0
```

# Delay Measurement for IP Endpoint

**Table 7: Feature History Table**

| Feature Name                             | Release Information | Feature Description   |
|--|---------------------|---|
| IP Endpoint Delay Measurement Monitoring | Release 7.4.1       | <p>This feature measures the end-to-end delay and monitors liveness of a specified IP endpoint node, including VRF-aware (awareness of multiple customers belonging to different VRFs).</p> <p>This feature is supported on IPv4, IPv6, and MPLS data planes.</p> |

Delay for an IP endpoint is the amount of time it takes for a data packet to travel from a source device to a specific IP endpoint within a network.

To measure a delay for a packet, also called a probe, is sent from a source device to the target IP endpoint.

The time from when the packet leaves the source to when it arrives at the endpoint is measured and recorded as the delay.

You can measure one-way delay, Two-way delay, and Roundtrip delay or delay in loop-back mode. For more information on Delay measurement, see Link Delay Measurement and Measurement Modes.

## Collecting IP Endpoint Probe Statistics

- Statistics associated with the probe for delay metrics are available via Histogram and Streaming Telemetry.
- Model Driven Telemetry (MDT) is supported for the following data:
  - Summary, endpoint, session, and counter show command bags.
  - History buffers data
- Model Driven Telemetry (MDT) and Event Driven Telemetry (EDT) are supported for the following data:
  - Delay metrics computed in the last probe computation-interval (event: probe-completed)
  - Delay metrics computed in the last aggregation-interval; that is, end of the periodic advertisement-interval (event: advertisement-interval expired)
  - Delay metrics last notified (event: notification-triggered)
- The following xpaths for MDT/EDT is supported:
  - `Cisco-IOS-XR-perf-meas-oper:performance-measurement/nodes/node/endpoints/endpoint-delay/endpoint-last-probes`
  - `Cisco-IOS-XR-perf-meas-oper:performance-measurement/nodes/node/endpoints/endpoint-delay/endpoint-last-aggregations`

- `Cisco-IOS-XR-perf-meas-oper:performance-measurement/nodes/node/endpoints/endpoint-delay/endpoint-last-advertisements`

### Guidelines and Limitations

You can specify a custom labeled path through one or more user-configured segment-lists. User-configured segment-list represents the forwarding path from sender to reflector when the probe is configured in delay-measurement mode.

- Examples of the custom segment-list include:
  - Probe in delay-measurement mode with a segment-list that includes Flex-Algo prefix SID of the endpoint
  - Probe in delay-measurement mode with a segment-list that includes a SID-list with labels to reach the endpoint or the sender (forward direction)
  - Probe in delay-measurement mode with a segment-list that includes BSID associated with SR policy to reach the end point.
- Endpoint segment list configuration is not supported under nondefault VRF.

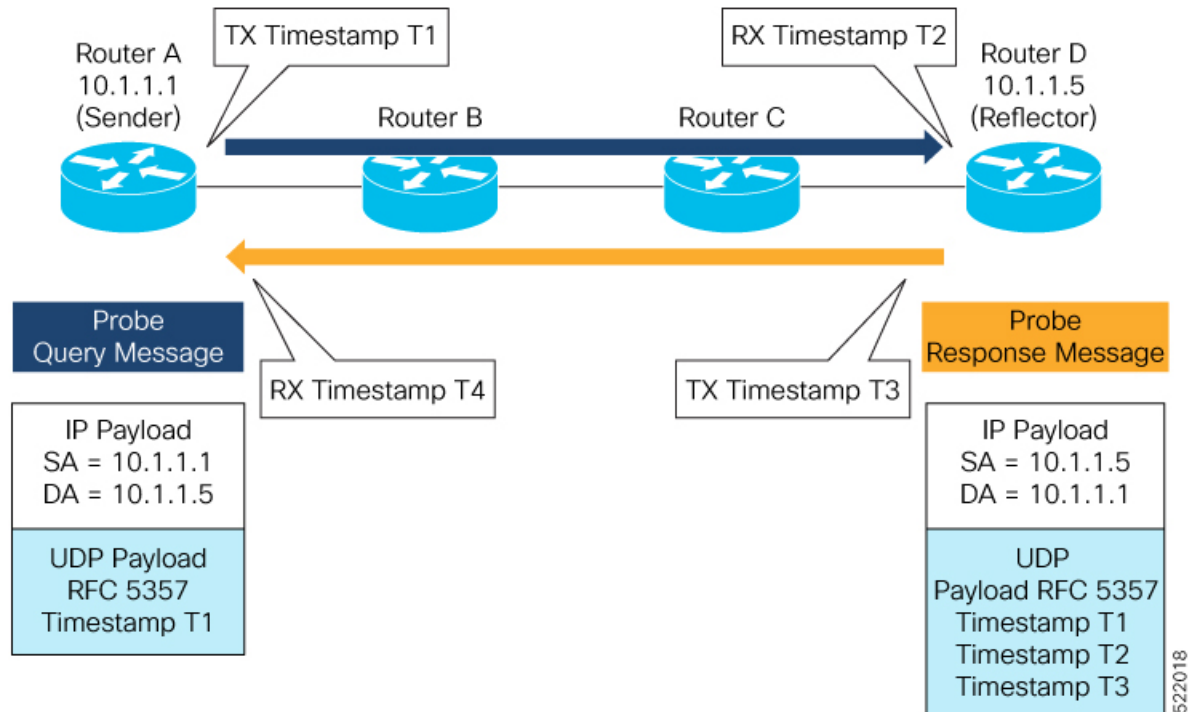
## IP Endpoint Delay Measurement over MPLS Network Usecases

The following use-cases show different ways to deploy delay measurement and liveness detection for IP endpoints.

### Use-Case 1: Delay Measurement Probe Toward an IP Endpoint Reachable in the Global Routing Table

The following figure illustrates a delay measurement probe toward an IP endpoint reachable in the global routing table. The network interconnecting the sender and the reflector provides plain IP connectivity.

Figure 8: Delay Measurement Probe Toward an IP Endpoint Reachable in the Global Routing Table



522018

### Configuration

```
RouterA(config)# performance-measurement
RouterA(config-perf-meas)# endpoint ipv4 10.1.1.5
RouterA(config-pm-ep)# source-address ipv4 10.1.1.1
RouterA(config-pm-ep)# delay-measurement
RouterA(config-pm-ep-dm)# exit
RouterA(config-pm-ep)# exit
RouterA(config-perf-meas)# delay-profile endpoint default
RouterA(config-pm-dm-ep)# probe
RouterA(config-pm-dm-ep-probe)# measurement-mode one-way
```

### Running Configuration

```
performance-measurement
 endpoint ipv4 10.1.1.5
  source-address ipv4 10.1.1.1
  delay-measurement
  !
  !
 delay-profile endpoint default
  probe
  measurement-mode one-way
  !
  !
  !
```

### Verification

```
RouterA# show performance-measurement endpoint ipv4 10.1.1.5
```

```
0/RSP0/CPU0
```

---

```
Endpoint name: IPv4-10.1.1.5-vrf-default
Source address      : 10.1.1.1
VRF name           : default
Delay-measurement   : Enabled
Description        : Not set
Profile Keys:
  Profile name      : default
  Profile type      : Endpoint Delay Measurement

Segment-list       : None
Delay Measurement session:
  Session ID       : 33554433
  Last advertisement:
    No advertisements have occurred

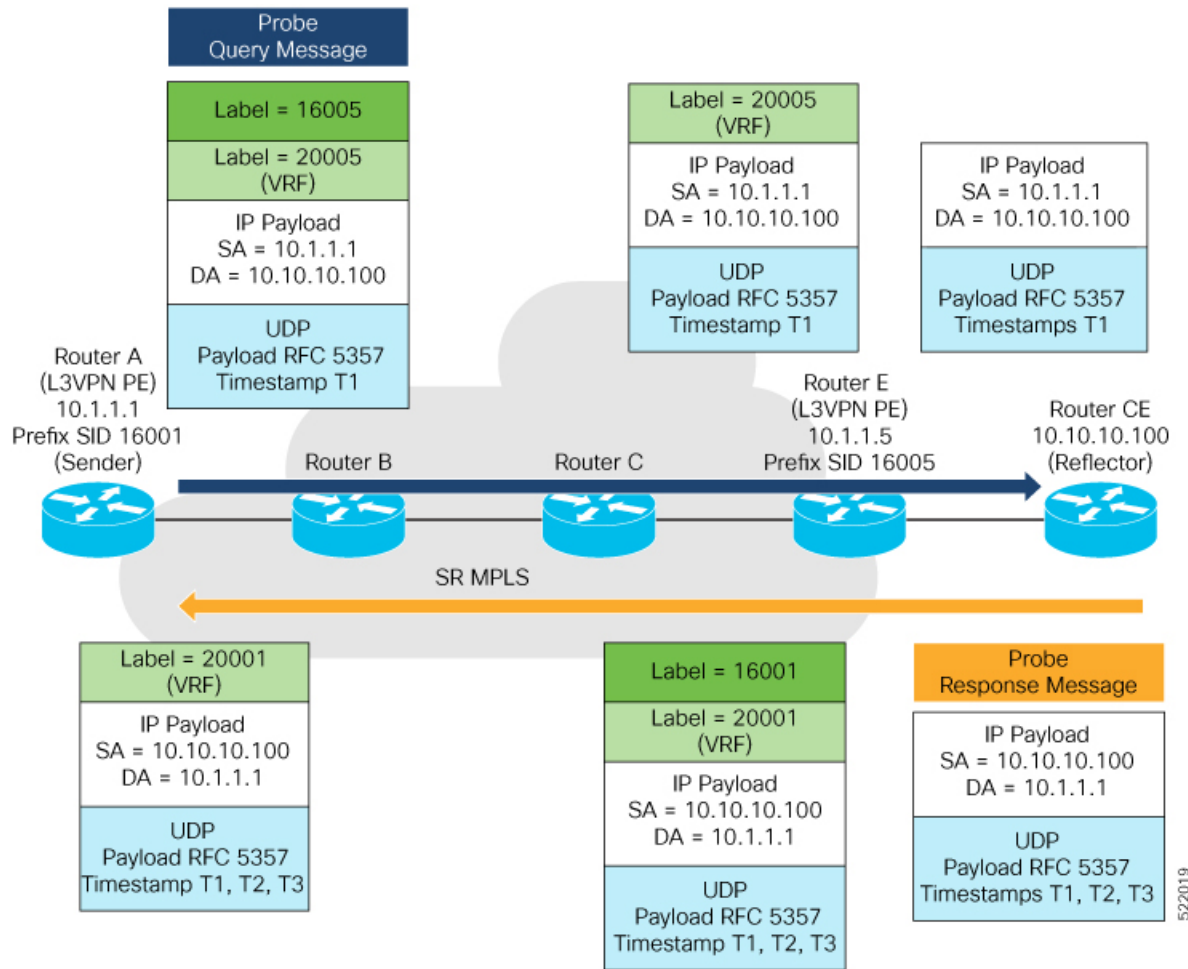
  Next advertisement:
    Threshold check scheduled in 4 more probes (roughly every 120 seconds)
    No probes completed

  Current computation:
    Started at: Jul 19 2021 16:28:06.723 (17.788 seconds ago)
    Packets Sent: 6, received: 0
    Measured delays (uSec): avg: 0, min: 0, max: 0, variance: 0
    Next probe scheduled at: Jul 19 2021 16:28:36.718 (in 12.207 seconds)
    Next burst packet will be sent in 0.207 seconds
    Burst packet sent every 3.0 seconds
```

### Use-Case 2: Delay Measurement Probe Toward an IP Endpoint Reachable in a User-Specified VRF

The following figure illustrates a delay measurement probe toward an IP endpoint reachable in a user-specified L3VPN's VRF routing table. The L3VPN ingress PE (Router A) acts as the sender. The reflector is located in a CE device behind the L3VPN egress PE (Router E). The network interconnecting the L3VPN PEs provides MPLS connectivity with Segment Routing.

Figure 9: Delay Measurement Probe Toward an IP Endpoint Reachable in a User-Specified VRF



**Configuration**

```
RouterA(config)# performance-measurement
RouterA(config-perf-meas)# endpoint ipv4 10.10.10.100 vrf green
RouterA(config-pm-ep)# source-address ipv4 10.1.1.1
RouterA(config-pm-ep)# delay-measurement
RouterA(config-pm-ep-dm)# exit
RouterA(config-pm-ep)# exit
RouterA(config-perf-meas)# delay-profile endpoint default
RouterA(config-pm-dm-ep)# probe
RouterA(config-pm-dm-ep-probe)# measurement-mode one-way
```

**Running Configuration**

```
performance-measurement
 endpoint ipv4 10.10.10.100 vrf green
  source-address ipv4 10.1.1.1
  delay-measurement
  !
  !
 delay-profile endpoint default
 probe
  measurement-mode one-way
```

522019

!  
!  
!

**Verification**

RouterA# `show performance-measurement endpoint vrf green`

0/RSP0/CPU0

```
Endpoint name: IPv4-10.10.10.100-vrf-green
Source address      : 10.1.1.1
VRF name           : green
Delay-measurement  : Enabled
Description        : Not set
Profile Keys:
  Profile name      : default
  Profile type      : Endpoint Delay Measurement

Segment-list       : None
Delay Measurement session:
  Session ID       : 33554434
  Last advertisement:
    No advertisements have occurred

Next advertisement:
  Advertisement not scheduled as the probe is not running

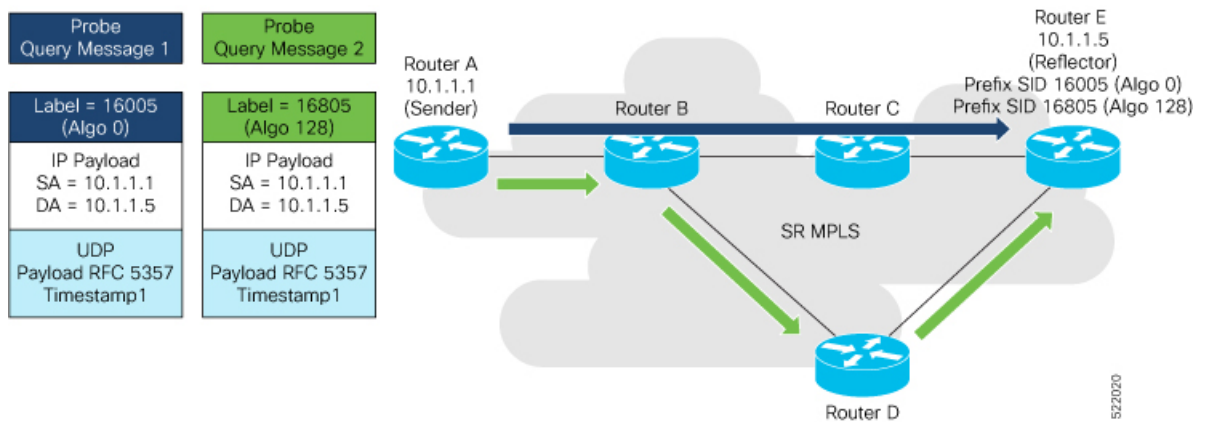
Current computation:
  Not running: Unable to resolve (non-existing) vrf
```

**Use Case 3: Delay Measurement Probe Toward an IP Endpoint Using Custom Labeled Paths**

The following figure illustrates a delay measurement probe toward an IP endpoint learned by the IGP. The network interconnecting the sender and reflector provides MPLS connectivity with Segment Routing.

The IP endpoint is advertised with multiple SR algorithms (Algo 0 and Flex Algo 128). The probe is configured with two custom-labeled paths in order to monitor the LSP for each algorithm separately.

**Figure 10: Delay Measurement Probe Toward an IP Endpoint Using Custom Labeled Paths**







**Note** The probe response messages are not shown in the above figure.

### Configuration

```
RouterA(config)# segment-routing
RouterA(config-sr)# traffic-eng
RouterA(config-sr-te)# segment-list name SIDLIST1-Algo0
RouterA(config-sr-te-sl)# index 10 mpls label 16005
RouterA(config-sr-te-sl)# exit

RouterA(config-sr-te)# segment-list name SIDLIST2-FlexAlgo128
RouterA(config-sr-te-sl)# index 10 mpls label 16085
RouterA(config-sr-te-sl)# exit
RouterA(config-sr-te)# exit
RouterA(config-sr)# exit

RouterA(config)# performance-measurement
RouterA(config-perf-meas)# endpoint ipv4 10.1.1.5
RouterA(config-pm-ep)# source-address ipv4 10.1.1.1
RouterA(config-pm-ep)# segment-list name SIDLIST1-Algo0
RouterA(config-pm-ep-sl)# exit
RouterA(config-pm-ep)# segment-list name SIDLIST2-FlexAlgo128
RouterA(config-pm-ep-sl)# exit
RouterA(config-pm-ep)# delay-measurement
RouterA(config-pm-ep-dm)# exit
RouterA(config-pm-ep)# exit
RouterA(config-perf-meas)# delay-profile endpoint default
RouterA(config-pm-dm-ep)# probe
RouterA(config-pm-dm-ep-probe)# measurement-mode one-way
```

### Running Configuration

```
segment-routing
 traffic-eng
  segment-list SIDLIST1-Algo0
  index 10 mpls label 16005
  !
  segment-list SIDLIST2-FlexAlgo128
  index 10 mpls label 16085
  !
  !
  !
  !
!
performance-measurement
 endpoint ipv4 10.1.1.5
  segment-list name SIDLIST1-Algo0
  !
  segment-list name SIDLIST2-FlexAlgo128
  !
  source-address ipv4 10.1.1.1
  delay-measurement
  !
  !
  delay-profile endpoint default
  probe
  measurement-mode one-way
  !
  !
  !
!
```

### Verification

```
RouterA# show performance-measurement endpoint ipv4 10.1.1.5
```

```
0/RSP0/CPU0
```

```
Endpoint name: IPv4-10.1.1.5-vrf-default
```

```
Source address      : 10.1.1.1
VRF name            : default
Delay-measurement   : Enabled
Description         : Not set
Profile Keys:
  Profile name      : default
  Profile type      : Endpoint Delay Measurement
```

```
Segment-list       : None
```

```
Delay Measurement session:
```

```
Session ID        : 33554433
Last advertisement:
  No advertisements have occurred
```

```
Next advertisement:
```

```
Threshold check scheduled in 4 more probes (roughly every 120 seconds)
No probes completed
```

```
Current computation:
```

```
Started at: Jul 19 2021 16:31:53.827 (15.844 seconds ago)
Packets Sent: 6, received: 0
Measured delays (uSec): avg: 0, min: 0, max: 0, variance: 0
Next probe scheduled at: Jul 19 2021 16:32:22.957 (in 13.286 seconds)
Next burst packet will be sent in 1.286 seconds
Burst packet sent every 3.0 seconds
```

```
Segment-list       : SIDLIST1-Algo0
```

```
Delay Measurement session:
```

```
Session ID        : 33554435
Last advertisement:
  No advertisements have occurred
```

```
Next advertisement:
```

```
Threshold check scheduled in 4 more probes (roughly every 120 seconds)
No probes completed
```

```
Current computation:
```

```
Started at: Jul 19 2021 16:31:53.827 (15.844 seconds ago)
Packets Sent: 4, received: 0
Measured delays (uSec): avg: 0, min: 0, max: 0, variance: 0
Next probe scheduled at: Jul 19 2021 16:32:22.957 (in 13.286 seconds)
Next burst packet will be sent in 2.940 seconds
Burst packet sent every 3.0 seconds
```

```
Segment-list       : SIDLIST2-FlexAlgo128
```

```
Delay Measurement session:
```

```
Session ID        : 33554436
Last advertisement:
  No advertisements have occurred
```

```
Next advertisement:
```

```
Threshold check scheduled in 4 more probes (roughly every 120 seconds)
No probes completed
```

```
Current computation:
```

```

Started at: Jul 19 2021 16:31:53.827 (15.844 seconds ago)
Packets Sent: 4, received: 0
Measured delays (uSec): avg: 0, min: 0, max: 0, variance: 0
Next probe scheduled at: Jul 19 2021 16:32:22.957 (in 13.286 seconds)
Next burst packet will be sent in 2.940 seconds
Burst packet sent every 3.0 seconds
    
```

### Use-Case 4: Liveness Detection Probe Toward an IP Endpoint

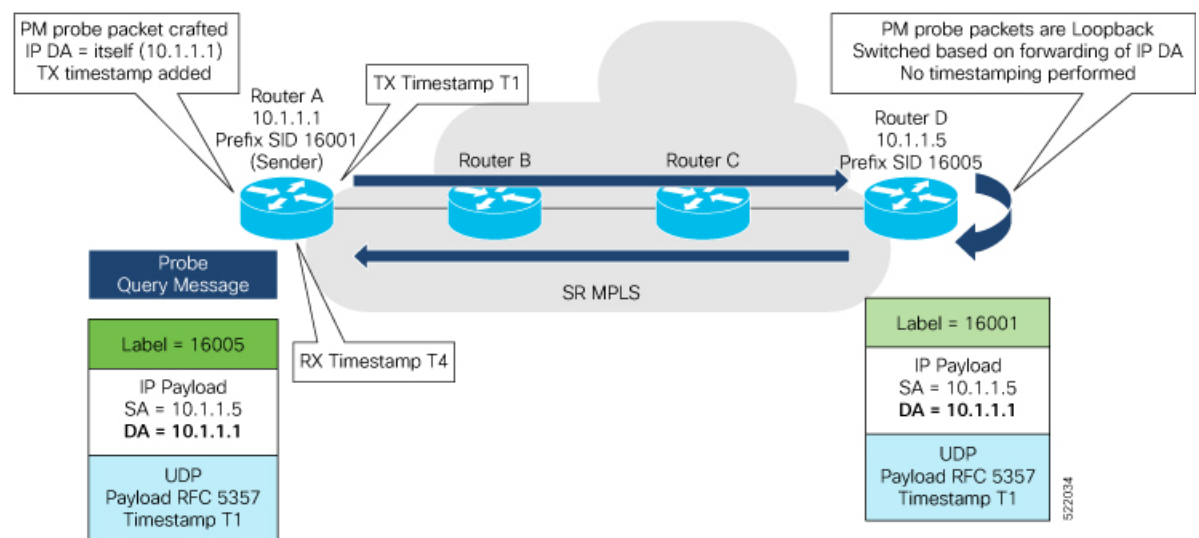
IP endpoint liveness detection leverages the loopback measurement-mode. The following workflow describes the sequence of events.

1. The sender creates and transmits the PM probe packets.  
 The IP destination address (DA) on the probe packets is set to the loopback value of the sender itself.  
 The transmit timestamp (T1) is added to the payload.  
 The probe packet is encapsulated with the label corresponding to the endpoint.
2. The network delivers the PM probe packets following the LSP toward the endpoint.
3. The end-point receives the PM probe packets.  
 Packets are forwarded back to the sender based on the forwarding entry associated with the IP DA of the PM probe packet. If an LSP exists, the probe packet is encapsulated with the label of the sender.
4. The sender node receives the PM probe packets.  
 The received timestamp (T4) stored.  
 If the sender node doesn't receive the specified number of probe packets (based on the configured multiplier), the sender node declares the PM session as down.

The following figure illustrates a liveness detection probe toward an IP endpoint learned by the IGP. The network interconnecting the sender and reflector provides MPLS connectivity with Segment Routing.

The liveness detection multiplier is set to 5 to specify the number of consecutive missed probe packets before the PM session is declared as down.

**Figure 11: IP Endpoint Liveness Detection**



## Configuration

```
RouterA(config)# performance-measurement
RouterA(config-perf-meas)# endpoint ipv4 10.1.1.5
RouterA(config-pm-ep)# source-address ipv4 10.1.1.1
RouterA(config-pm-ep)# liveness-detection
RouterA(config-pm-ep-ld)# exit
RouterA(config-pm-ep)# exit
RouterA(config-perf-meas)# liveness-profile endpoint default
RouterA(config-pm-ld-ep)# liveness-detection
RouterA(config-pm-ld-ep-ld)# multiplier 5
RouterA(config-pm-ld-ep-ld)# exit
RouterA(config-pm-ld-ep)# probe
RouterA(config-pm-ld-ep-probe)# measurement-mode loopback
```

## Running Configuration

```
performance-measurement
 endpoint ipv4 10.1.1.5
  source-address ipv4 10.1.1.1
  liveness-detection
  !
  !
 liveness-profile endpoint default
  liveness-detection
  multiplier 5
  !
 probe
  measurement-mode loopback
  !
 !
 !
end
```

## Verification

```
RouterA# show performance-measurement endpoint ipv4 10.1.1.5
```

```
-----
0/RSP0/CPU0
-----
```

```
Endpoint name: IPv4-10.1.1.5-vrf-default
Source address      : 10.1.1.1
VRF name            : default
Liveness Detection  : Enabled
Profile Keys:
  Profile name       : default
  Profile type       : Endpoint Liveness Detection

Segment-list        : None
Session State: Down
Missed count: 0
```

# SR Policy End-to-End Delay Measurement

The PM for SR Policy uses the IP/UDP packet format defined in RFC 5357 (TWAMP-Light) for probes. Two-Way Active Measurement Protocol (TWAMP) adds two-way or round-trip measurement capabilities. TWAMP employs time stamps applied at the echo destination (reflector) to enable greater accuracy. In the case of TWAMP Light, the Session-Reflector doesn't necessarily know about the session state. The Session-Reflector simply copies the Sequence Number of the received packet to the Sequence Number field

of the reflected packet. The controller receives the reflected test packets and collects two-way metrics. This architecture allows for collection of two-way metrics.

The extended TE link delay metric (minimum-delay value) can be used to compute paths for SR policies as an optimization metric or as an accumulated delay bound.

There is a need to monitor the end-to-end delay experienced by the traffic sent over an SR policy to ensure that the delay does not exceed the requested “upper-bound” and violate SLAs. You can verify the end-to-end delay values before activating the candidate-path or the segment lists of the SR policy in forwarding table, or to deactivate the active candidate-path or the segment lists of the SR policy in forwarding table.



---

**Note** The end-to-end delay value of an SR policy will be different than the path computation result (for example, the sum of TE link delay metrics) due to several factors, such as queuing delay within the routers.

---

### Usage Guidelines and Limitations for PM for SR Policy Delay

The following usage guidelines and limitations apply:

- SR-PM delay measurement over SR Policy is supported on manually configured SR Policies and On-Demand SR Policies (ODN).
- SR-PM delay measurement over SR Policy is not supported on PCE-initiated SR Policies.
- Hardware clocks must be synchronized between the querier and the responder nodes of the link using PTP for one-way delay measurement.

### Configuring Performance Measurement Parameters

This example shows how to configure performance-measurement parameters for SR policy delay as a global default profile. The default values for the different parameters in the PM for SR policy delay is given as follows:

- **probe**: The default mode for probe is one-way delay measurement. Two-way delay and loopback modes are supported. See [Measurement Modes, on page 2](#) for more information.
- **burst interval**: Interval for sending probe packet. The default value is 3000 milliseconds and the range is from 30 to 15000 milliseconds.
- **computation interval**: Interval for metric computation. Default is 30 seconds; range is 1 to 3600 seconds.
- **protocol**:
  - **twamp-light**: SR Policy delay measurement using RFC 5357 with IP/UDP encap. This is the default protocol.
- **tos**: Type of Service
  - **dscp value**: The default value is 48 and the range is from 0 to 63.
  - **traffic-class value**: The default value is 6 and the range is from 0 to 7.
- **advertisement threshold-check**: minimum-delay/maximum-delay - The default value of periodic advertisement threshold-check is maximum-delay.

- **periodic advertisement:** Periodic advertisement is enabled by default.
- **periodic-advertisement interval:** The default value is 120 seconds and the interval range is from 30 to 3600 seconds.
- **periodic-advertisement threshold:** Checks the minimum-delay metric change for threshold crossing for periodic advertisement. The default value is 10 percent and the range is from 0 to 100 percent.
- **periodic-advertisement minimum-change:** The default value is 500 microseconds (usec) and the range is from 0 to 100000 microseconds.
- **accelerated advertisement:** Accelerated advertisement is disabled by default.
- **accelerated-advertisement threshold:** Checks the minimum-delay metric change for threshold crossing for accelerated advertisement. The default value is 20 percent and the range is from 0 to 100 percent.
- **accelerated-advertisement minimum:** The default value is 500 microseconds and the range is from 1 to 100000 microseconds.

```

Router(config)# performance-measurement delay-profile sr-policy
Router(config-pm-dm-srpolicy)# probe
Router(config-pm-dm-srpolicy-probe)# burst-interval 60
Router(config-pm-dm-srpolicy-probe)# computation-interval 60
Router(config-pm-dm-srpolicy-probe)# protocol twamp-light
Router(config-pm-dm-srpolicy-probe)# tos dscp 63
Router(config-pm-dm-srpolicy-probe)# exit

Router(config-pm-dm-srpolicy)# advertisement
Router(config-pm-dm-srpolicy-adv)# periodic
Router(config-pm-dm-srpolicy-adv-per)# interval 60
Router(config-pm-dm-srpolicy-adv-per)# minimum-change 1000
Router(config-pm-dm-srpolicy-adv-per)# threshold 20
Router(config-pm-dm-srpolicy-adv-per)# exit

Router(config-pm-dm-srpolicy-adv)# accelerated
Router(config-pm-dm-srpolicy-adv-acc)# minimum-change 1000
Router(config-pm-dm-srpolicy-adv-acc)# threshold 10
Router(config-pm-dm-srpolicy-adv-acc)# exit

Router(config-pm-dm-srpolicy-adv)# threshold-check minimum-delay
Router(config-pm-dm-srpolicy-adv)# exit
Router(config-pm-dm-srpolicy)#

```

### Configure the UDP Destination Port

Configuring the UDP port for TWAMP-Light protocol is optional. By default, PM uses port 862 as the TWAMP-reserved UDP destination port for delay.

The UDP port is configured for each PM measurement probe type (delay, loss, protocol, authentication mode, etc.) on querier and responder nodes. If you configure a different UDP port, the UDP port for each PM measurement probe type must match on the querier and the responder nodes.




---

**Note** The same UDP destination port is used for delay measurement for links and SR Policy.

---

This example shows how to configure the UDP destination port for delay.

```
Router(config)# performance-measurement
```

```
Router(config-perf-meas)# protocol twamp-light
Router(config-pm-protocol)# measurement delay unauthenticated
Router(config-pm-proto-mode)# querier-dst-port 12000
```

### Enable Performance Measurement for SR Policy

This example shows how to enable PM for SR policy delay for a specific policy.

```
Router(config)# segment-routing traffic-eng
Router(config-sr-te)# policy foo
Router(config-sr-te-policy)# performance-measurement
Router(config-sr-te-policy-perf-meas)# delay-measurement
```

### SR Policy Probe IP/UDP ECMP Hashing Configuration

This example shows how to configure SR Policy ECMP IP-hashing mode.

- The destination IPv4 address 127.x.x.x – 127.y.y.y is used in the Probe messages to take advantages of 3-tuple IP hashing (source-address, destination-address, and local router ID) for ECMP paths of SR-MPLS Policy.




---

**Note** The destination IPv4 address must be 127/8 range (loopback), otherwise it will be rejected.

---

- One PM session is always created for the actual endpoint address of the SR Policy.
- You can specify the number of IP addresses to sweep. The range is from 0 (default, no sweeping) to 128.
- Platforms may have a limitation for large label stack size to not check IP address for hashing.

```
Router(config)# performance-measurement delay-profile sr-policy
Router(config-pm-dm-srpolicy)# probe
Router(config-pm-dm-srpolicy-probe)# sweep
Router(config-pm-dm-srpolicy-probe-sweep)# destination ipv4 127.0.0.1 range 28
```

### Verification

```
Router# show performance-measurement sr-policy
Mon Jan 20 18:48:41.002 PST
```

```
-----
0/0/CPU0
-----
```

| Policy Name              | LSP ID | Tx/Rx | Avg/Min/Max/Variance  |
|--------------------------|--------|-------|-----------------------|
| srte_c_10_ep_192.168.0.4 | 2      | 6/6   | 27012/26906/27203/106 |

```
Router# show performance-measurement sr-policy name srte_c_10_ep_192.168.0.4 detail verbose
Mon Jan 20 18:44:22.400 PST
```

```
-----
0/0/CPU0
-----
```

```

SR Policy name: srte_c_10_ep_192.168.0.4
Color                : 10
Endpoint             : 192.168.0.4
Number of candidate-paths : 1

Candidate-Path:
Instance            : 2
Preference          : 100
Protocol-origin     : Configured
Discriminator       : 100
Source address      : 192.168.0.2
Reverse path label  : Not configured
Number of segment-lists : 1
Last advertisement:
  No advertisements have occurred
Next advertisement:
  Check scheduled at the end of the current probe (roughly every 30 seconds)
  Aggregated delays (uSec): avg: 45218, min: 26512, max: 82600, variance: 18706
  Rolling average (uSec): 45218
Last probe:
  Packets Sent: 9, received: 9
  Measured delays (uSec): avg: 45218, min: 26512, max: 82600, variance: 18706
Current Probe:
  Started at Jan 20 2020 18:44:19.170 (3.453 seconds ago)
  Packets Sent: 3, received: 3
  Measured delays (uSec): avg: 26588, min: 26558, max: 26630, variance: 30
Next probe scheduled at Jan 20 2020 18:44:34.166 (in 11.543 seconds)
Next burst packet will be sent in 1.543 seconds
Burst packet sent every 5.0 seconds
Liveness Detection: Disabled

Segment-List                : R4
  16004
Number of atomic paths      : 3
Last advertisement:
  No advertisements have occurred
Next advertisement:
  Aggregated delays (uSec): avg: 45218, min: 26512, max: 82600, variance: 18706
  Rolling average (uSec): 45218
Last probe:
  Packets Sent: 9, received: 9
  Measured delays (uSec): avg: 45218, min: 26512, max: 82600, variance: 18706
Current probe:
  Packets Sent: 3, received: 3
  Measured delays (uSec): avg: 26588, min: 26558, max: 26630, variance: 30
Liveness Detection: Disabled

Atomic path:
Hops                : 127.0.0.0
Session ID          : 33554434
Last advertisement:
  No advertisements have occurred
Next advertisement:
  Aggregated delays (uSec): avg: 45407, min: 26629, max: 82600, variance: 18778
  Rolling average (uSec): 45407
Last Probe:
  Packets Sent: 3, received: 3
  Measured delays (uSec): avg: 45407, min: 26629, max: 82600, variance: 18778
Current Probe:
  Packets Sent: 1, received: 1
  Measured delays (uSec): avg: 26630, min: 26630, max: 26630, variance: 0
Probe samples:
  Packet Rx Timestamp      Measured Delay (nsec)
  Jan 20 2020 18:44:19.198      26630730

```



Liveness Detection: Disabled

Atomic path:

```
Hops : 127.0.0.1
Session ID : 33554435
Last advertisement:
  No advertisements have occurred
Next advertisement:
  Aggregated delays (uSec): avg: 45128, min: 26521, max: 81961, variance: 18607
  Rolling average (uSec): 45128
Last Probe:
  Packets Sent: 3, received: 3
  Measured delays (uSec): avg: 45128, min: 26521, max: 81961, variance: 18607
Current Probe:
  Packets Sent: 1, received: 1
  Measured delays (uSec): avg: 26576, min: 26576, max: 26576, variance: 0
Probe samples:
  Packet Rx Timestamp      Measured Delay (nsec)
  Jan 20 2020 18:44:19.198      26576938
Liveness Detection: Disabled
```

Atomic path:

```
Hops : 192.168.0.4
Session ID : 33554433
Last advertisement:
  No advertisements have occurred
Next advertisement:
  Aggregated delays (uSec): avg: 45119, min: 26512, max: 81956, variance: 18607
  Rolling average (uSec): 45119
Last Probe:
  Packets Sent: 3, received: 3
  Measured delays (uSec): avg: 45119, min: 26512, max: 81956, variance: 18607
Current Probe:
  Packets Sent: 1, received: 1
  Measured delays (uSec): avg: 26558, min: 26558, max: 26558, variance: 0
Probe samples:
  Packet Rx Timestamp      Measured Delay (nsec)
  Jan 20 2020 18:44:19.198      26558375
Liveness Detection: Disabled
```

Router# **show performance-measurement history probe sr-policy**  
 Mon Jan 20 18:46:55.445 PST

-----  
 0/0/CPU0  
 -----

SR Policy name: srte\_c\_10\_ep\_192.168.0.4  
 Color : 10  
 Endpoint : 192.168.0.4

Candidate-Path:

```
Preference : 100
Protocol-origin : Configured
Discriminator : 100
```

Delay-Measurement history (uSec):

| Probe Start Timestamp    | Pkt (TX/RX) | Average | Min   | Max   |
|--------------------------|-------------|---------|-------|-------|
| Jan 20 2020 18:46:34.174 | 9/9         | 26880   | 26684 | 27070 |
| Jan 20 2020 18:46:19.174 | 9/9         | 26899   | 26822 | 27004 |
| Jan 20 2020 18:46:04.173 | 9/9         | 26813   | 26571 | 27164 |
| Jan 20 2020 18:45:49.172 | 9/9         | 26985   | 26713 | 27293 |
| Jan 20 2020 18:45:34.172 | 9/9         | 26744   | 26557 | 27005 |
| Jan 20 2020 18:45:19.171 | 9/9         | 26740   | 26435 | 27093 |
| Jan 20 2020 18:45:04.171 | 9/9         | 27115   | 26938 | 27591 |

## SR Policy End-to-End Delay Measurement

|                          |     |       |       |       |
|--------------------------|-----|-------|-------|-------|
| Jan 20 2020 18:44:49.171 | 9/9 | 26878 | 26539 | 27143 |
| Jan 20 2020 18:44:34.171 | 9/9 | 26824 | 26562 | 27265 |
| Jan 20 2020 18:44:19.170 | 9/9 | 26944 | 26558 | 27422 |
| Jan 20 2020 18:44:06.543 | 9/9 | 45218 | 26512 | 82600 |

Segment-List : R4

16004

Delay-Measurement history (uSec):

| Probe Start Timestamp    | Pkt (TX/RX) | Average | Min   | Max   |
|--------------------------|-------------|---------|-------|-------|
| Jan 20 2020 18:46:34.174 | 9/9         | 26880   | 26684 | 27070 |
| Jan 20 2020 18:46:19.174 | 9/9         | 26899   | 26822 | 27004 |
| Jan 20 2020 18:46:04.173 | 9/9         | 26813   | 26571 | 27164 |
| Jan 20 2020 18:45:49.172 | 9/9         | 26985   | 26713 | 27293 |
| Jan 20 2020 18:45:34.172 | 9/9         | 26744   | 26557 | 27005 |
| Jan 20 2020 18:45:19.171 | 9/9         | 26740   | 26435 | 27093 |
| Jan 20 2020 18:45:04.171 | 9/9         | 27115   | 26938 | 27591 |
| Jan 20 2020 18:44:49.171 | 9/9         | 26878   | 26539 | 27143 |
| Jan 20 2020 18:44:34.171 | 9/9         | 26824   | 26562 | 27265 |
| Jan 20 2020 18:44:19.170 | 9/9         | 26944   | 26558 | 27422 |
| Jan 20 2020 18:44:06.543 | 9/9         | 45218   | 26512 | 82600 |

Atomic path:

Hops : 127.0.0.0

Delay-Measurement history (uSec):

| Probe Start Timestamp    | Pkt (TX/RX) | Average | Min   | Max   |
|--------------------------|-------------|---------|-------|-------|
| Jan 20 2020 18:46:34.174 | 3/3         | 26927   | 26747 | 27070 |
| Jan 20 2020 18:46:19.174 | 3/3         | 26982   | 26970 | 27004 |
| Jan 20 2020 18:46:04.173 | 3/3         | 26895   | 26647 | 27164 |
| Jan 20 2020 18:45:49.172 | 3/3         | 27054   | 26764 | 27293 |
| Jan 20 2020 18:45:34.172 | 3/3         | 26801   | 26694 | 27005 |
| Jan 20 2020 18:45:19.171 | 3/3         | 26807   | 26524 | 27093 |
| Jan 20 2020 18:45:04.171 | 3/3         | 27226   | 26938 | 27591 |
| Jan 20 2020 18:44:49.171 | 3/3         | 26976   | 26644 | 27143 |
| Jan 20 2020 18:44:34.171 | 3/3         | 26880   | 26679 | 27265 |
| Jan 20 2020 18:44:19.170 | 3/3         | 26994   | 26630 | 27422 |
| Jan 20 2020 18:44:06.543 | 3/3         | 45407   | 26629 | 82600 |

Atomic path:

Hops : 127.0.0.1

Delay-Measurement history (uSec):

| Probe Start Timestamp    | Pkt (TX/RX) | Average | Min   | Max   |
|--------------------------|-------------|---------|-------|-------|
| Jan 20 2020 18:46:34.174 | 3/3         | 26865   | 26705 | 26988 |
| Jan 20 2020 18:46:19.174 | 3/3         | 26846   | 26822 | 26881 |
| Jan 20 2020 18:46:04.173 | 3/3         | 26787   | 26581 | 26939 |
| Jan 20 2020 18:45:49.172 | 3/3         | 26954   | 26728 | 27180 |
| Jan 20 2020 18:45:34.172 | 3/3         | 26724   | 26577 | 26957 |
| Jan 20 2020 18:45:19.171 | 3/3         | 26705   | 26452 | 27032 |
| Jan 20 2020 18:45:04.171 | 3/3         | 27043   | 26972 | 27124 |
| Jan 20 2020 18:44:49.171 | 3/3         | 26848   | 26550 | 27062 |
| Jan 20 2020 18:44:34.171 | 3/3         | 26800   | 26562 | 27204 |
| Jan 20 2020 18:44:19.170 | 3/3         | 26927   | 26576 | 27327 |
| Jan 20 2020 18:44:06.543 | 3/3         | 45128   | 26521 | 81961 |

Atomic path:

Hops : 192.168.0.4

Delay-Measurement history (uSec):

| Probe Start Timestamp    | Pkt (TX/RX) | Average | Min   | Max   |
|--------------------------|-------------|---------|-------|-------|
| Jan 20 2020 18:46:34.174 | 3/3         | 26848   | 26684 | 26967 |
| Jan 20 2020 18:46:19.174 | 3/3         | 26871   | 26833 | 26913 |
| Jan 20 2020 18:46:04.173 | 3/3         | 26759   | 26571 | 26876 |
| Jan 20 2020 18:45:49.172 | 3/3         | 26947   | 26713 | 27163 |
| Jan 20 2020 18:45:34.172 | 3/3         | 26708   | 26557 | 26939 |
| Jan 20 2020 18:45:19.171 | 3/3         | 26708   | 26435 | 27075 |
| Jan 20 2020 18:45:04.171 | 3/3         | 27078   | 27016 | 27138 |

|                          |     |       |       |       |
|--------------------------|-----|-------|-------|-------|
| Jan 20 2020 18:44:49.171 | 3/3 | 26812 | 26539 | 27043 |
| Jan 20 2020 18:44:34.171 | 3/3 | 26793 | 26582 | 27181 |
| Jan 20 2020 18:44:19.170 | 3/3 | 26911 | 26558 | 27308 |
| Jan 20 2020 18:44:06.543 | 3/3 | 45119 | 26512 | 81956 |

Router# **show performance-measurement counters sr-policy name srte\_c\_10\_ep\_192.168.0.4**  
 Mon Jan 20 18:47:55.499 PST

-----  
 0/0/CPU0  
 -----

SR Policy name: srte\_c\_10\_ep\_192.168.0.4

Candidate-Path:

Instance : 2  
 Preference : 100  
 Protocol-origin : Configured  
 Discriminator : 100

Packets:

Total sent : 141  
 Total received : 141

Errors:

Total sent errors : 0  
 Total received errors : 0

Probes:

Total started : 16  
 Total completed : 15  
 Total incomplete : 0  
 Total advertisements : 2

Segment-List : R4

16004

Packets:

Total sent : 141  
 Total received : 141

Errors:

Total sent errors : 0  
 Total received errors : 0

Probes:

Total started : 16  
 Total completed : 15  
 Total incomplete : 0  
 Total advertisements : 2

# SR Policy Liveness Monitoring

Table 8: Feature History Table

| Feature Name                              | Release Information | Feature Description   |
|---|---------------------|---|
| SR Performance Measurement Named Profiles | Release 7.3.1       | <p>You can use this feature to create specific performance measurement delay and liveness profiles, and associate it with an SR policy.</p> <p>This way, a delay or liveness profile can be associated with a policy for which the performance measurement probes are enabled, and performance measurement is precise, and enhanced.</p> <p>The <b>performance-measurement delay-profile sr-policy</b> command was updated with the <b>name profile</b> keyword-argument combination.</p> <p>The <b>performance-measurement liveness-profile sr-policy</b> command was updated with the <b>name profile</b> keyword-argument combination.</p> <p>The <b>performance-measurement delay-measurement</b> command was updated with <b>delay-profile name profile</b>.</p> <p>The <b>performance-measurement liveness-detection</b> command was updated with <b>liveness-profile name profile</b>.</p> |
| SR Policy Liveness Monitoring             | Release 7.3.1       | <p>This feature allows you to verify end-to-end traffic forwarding over an SR Policy candidate path by periodically sending performance monitoring packets.</p>   |

SR Policy liveness monitoring allows you to verify end-to-end traffic forwarding over an SR Policy candidate path by periodically sending performance monitoring (PM) packets. The head-end router sends PM packets to the SR policy's endpoint router, which sends them back to the head-end without any control-plane dependency on the endpoint router.

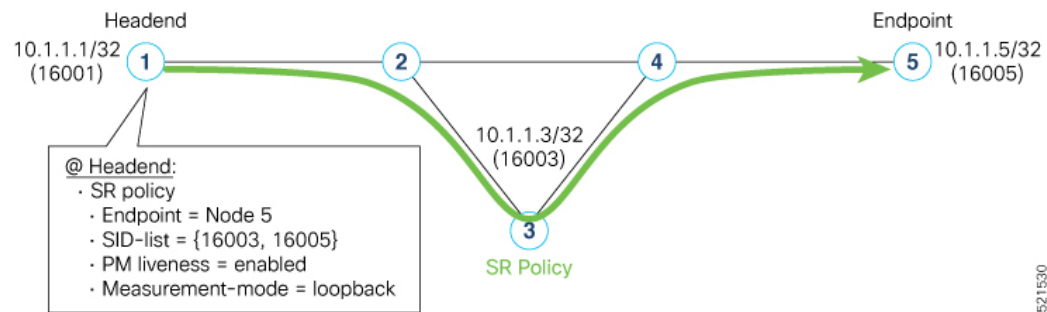
The following are benefits to using SR-PM liveness monitoring:

- Allows both liveness monitoring and delay measurement using a single-set of PM packets as opposed to running separate monitoring sessions for each purpose. This improves the overall scale by reducing the number of PM sessions required.
- Eliminates network and device complexity by reducing the number of monitoring protocols on the network (for example, no need for Bidirectional Failure Detection [BFD]). It also simplifies the network and device operations by not requiring any signaling to bootstrap the performance monitoring session.
- Improves interoperability with third-party nodes because signaling protocols aren't required. In addition, it leverages the commonly supported TWAMP protocol for packet encoding.
- Improves liveness detection time because PM packets aren't punted on remote nodes
- Provides a common solution that applies to data-planes besides MPLS, including IPv4, IPv6, and SRv6.

### How it works?

The workflow associated with liveness detection over SR policy is described in the following sequence.

Consider an SR policy programmed at head-end node router 1 towards end-point node router 5. This SR policy is enabled for liveness detection using the loopback measurement-mode.



- **A:** The head-end node creates and transmits the PM probe packets.

The IP destination address (DA) on the probe packets is set to the loopback value of the head-end node itself.

A transmit (Tx) timestamp is added to the payload.

Optionally, the head-end node may also insert extra encapsulation (labels) to enforce the reverse path at the endpoint node.

Finally, the packet is injected into the data-plane using the same encapsulation (label stack) of that of the SR policy being monitored.

- **B:** The network delivers the PM probe packets as it would user traffic over the SR policy.
- **C:** The end-point node receives the PM probe packets.

Packets are switched back based on the forwarding entry associated with the IP DA of the packet. This would typically translate to the end-point node pushing the prefix SID label associated with the head-end node.

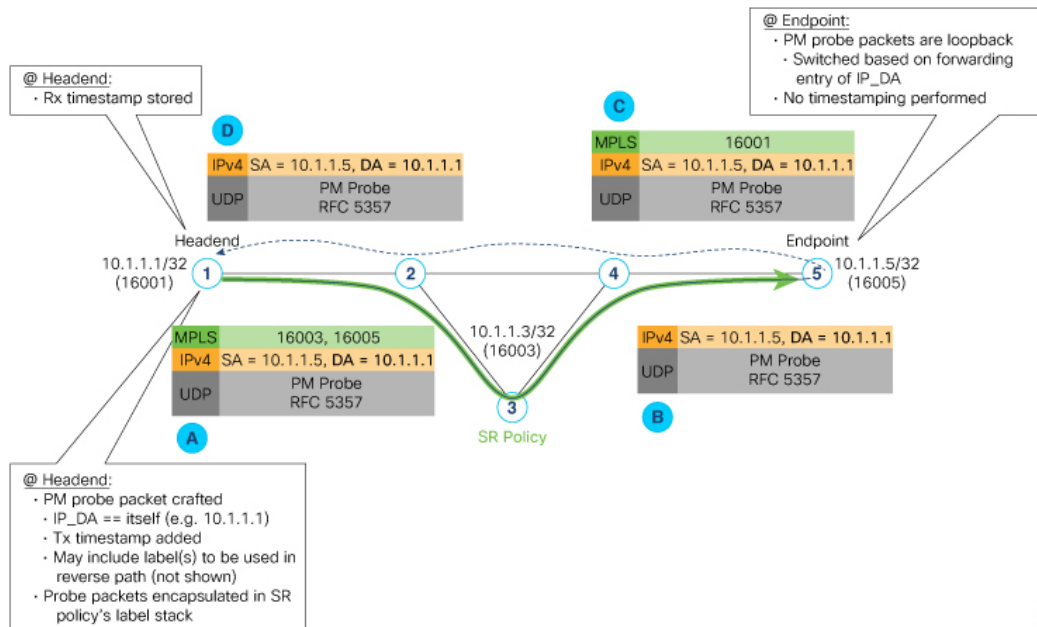
If the head-end node inserted label(s) for the reverse path, then the packets are switched back at the end-point node based on the forwarding entry associated with the top-most reverse path label.

- **D:** Headend node receives the PM probe packets.

A received (Rx) timestamp stored.

If the head-end node receives the PM probe packets, the head-end node assume that the SR policy active candidate path is up and working.

If the head-end node doesn't receive the specified number of consecutive probe packets (based on configured multiplier), the head-end node assumes the candidate path is down and a configured action is triggered.



521531

## Usage Guidelines and Limitations

The following usage guidelines and limitations apply:

- SR-PM liveness-detection over SR Policy is supported on manually configured SR Policies and On-Demand SR Policies (ODN).
- SR-PM liveness-detection over SR Policy is not supported on PCE-initiated SR Policies.
- SR-PM liveness-detection and delay-measurement aren't supported together
- When liveness-profile isn't configured, SR Policies use the default values for the liveness-detection profile parameters.