



# Configure Topology-Independent Loop-Free Alternate (TI-LFA)

**Table 1: Feature History Table**

Feature Name	Release Information	Feature Description
mLDP LSP protection with optimal TI-LFA backup paths	Release 24.4.1	<p>Introduced in this release on: NCS 5500 fixed port routers; NCS 5700 fixed port routers; NCS 5500 modular routers (NCS 5500 line cards; NCS 5700 line cards [Mode: Compatibility; Native])</p> <p>You can now enhance the protection and convergence for Multicast Label Distribution Protocol Label Switched Paths (mLDP LSP) using Topology Independent Loop-Free Alternate (TI-LFA) backup paths. TI-LFA calculates an optimal, loop-free post-convergence path, and you can encode it as a list of segments.</p> <p>With this change, the TI-LFA supports zero-segment and single-segment backup paths, enabling native Point-to-Multipoint (P2MP) over SR code with a Tree Segment Identifier (Tree-SID) profile.</p>

Topology-Independent Loop-Free Alternate (TI-LFA) uses segment routing to provide link, node, and Shared Risk Link Groups (SRLG) protection in topologies where other fast reroute techniques cannot provide protection.

- Classic Loop-Free Alternate (LFA) is topology dependent, and therefore cannot protect all destinations in all networks. A limitation of LFA is that, even if one or more LFAs exist, the optimal LFA may not always be provided.

- Remote LFA (RLFA) extends the coverage to 90-95% of the destinations, but it also does not always provide the most desired repair path. RLFA also adds more operational complexity by requiring a targeted LDP session to the RLFA to protect LDP traffic.

TI-LFA provides a solution to these limitations while maintaining the simplicity of the IPFRR solution.

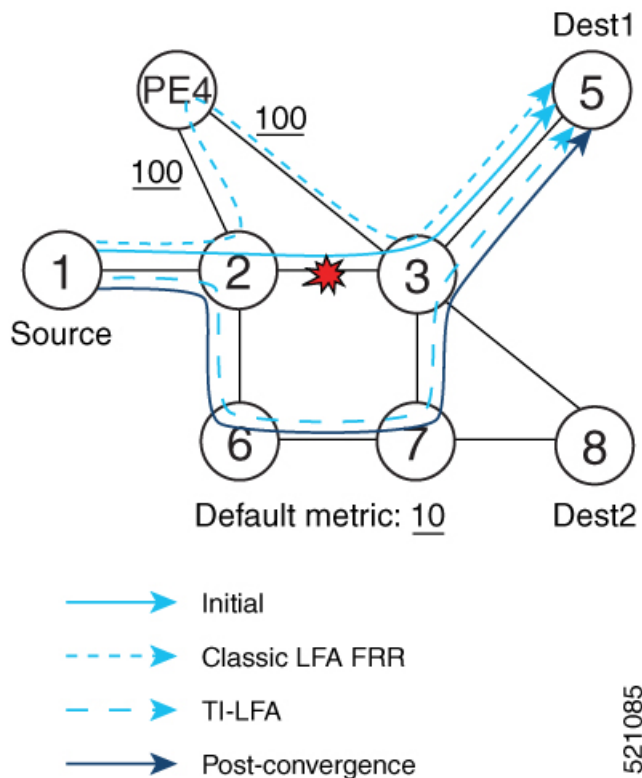
The goal of TI-LFA is to reduce the packet loss that results while routers converge after a topology change due to a link or node failure. Rapid failure repair (< 50 msec) is achieved through the use of pre-calculated backup paths that are loop-free and safe to use until the distributed network convergence process is completed.

The optimal repair path is the path that the traffic will eventually follow after the IGP has converged. This is called the post-convergence path. This path is preferred for the following reasons:

- Optimal for capacity planning — During the capacity-planning phase of the network, the capacity of a link is provisioned while taking into consideration that such link will be used when other links fail.
- Simple to operate — There is no need to perform a case-by-case adjustments to select the best LFA among multiple candidate LFAs.
- Fewer traffic transitions — Since the repair path is equal to the post-convergence path, the traffic switches paths only once.

The following topology illustrates the optimal and automatic selection of the TI-LFA repair path.

Figure 1: TI-LFA Repair Path



Node 2 protects traffic to destination Node 5.

With classic LFA, traffic would be steered to Node 4 after a failure of the protected link. This path is not optimal, since traffic is routed over edge node Node 4 that is connected to lower capacity links.

521085

TI-LFA calculates a post-convergence path and derives the segment list required to steer packets along the post-convergence path without looping back.

In this example, if the protected link fails, the shortest path from Node2 to Node5 would be:

Node2 → Node6 → Node7 → Node3 → Node5

Node7 is the PQ-node for destination Node5. TI-LFA encodes a single segment (prefix SID of Node7) in the header of the packets on the repair path.

### TI-LFA Protection Types

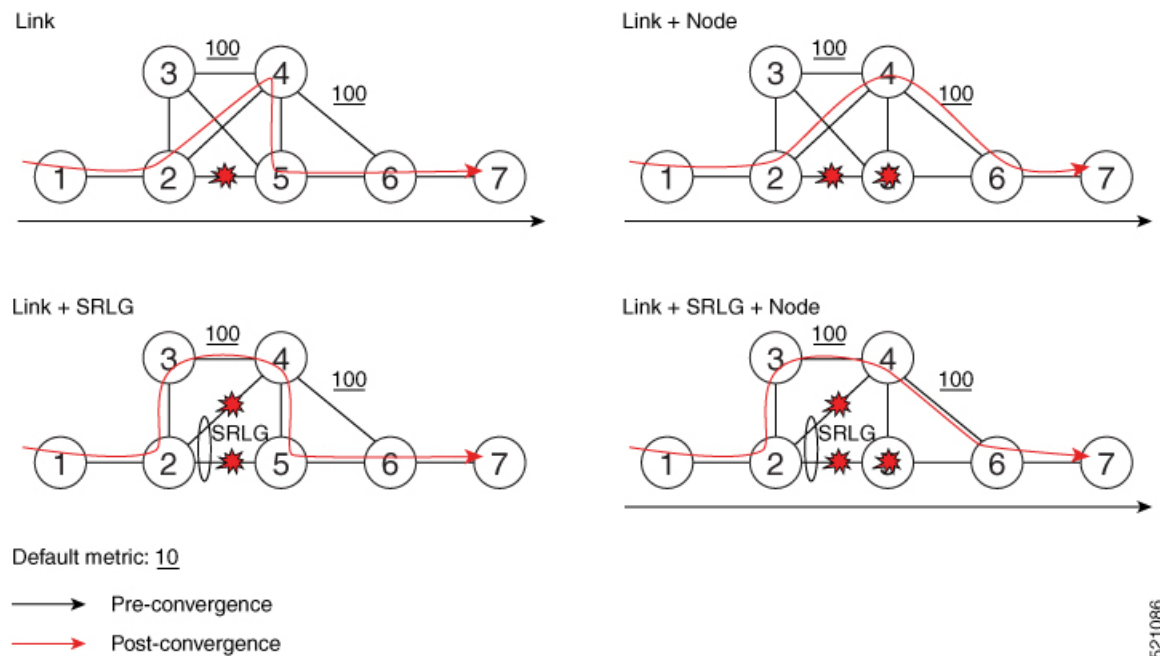
TI-LFA supports the following protection:

- Link protection — The link is excluded during the post-convergence backup path calculation.
- Node protection — The neighbor node is excluded during the post convergence backup path calculation.
- Shared Risk Link Groups (SRLG) protection — SRLG refer to situations in which links in a network share a common fiber (or a common physical attribute). These links have a shared risk: when one link fails, other links in the group might also fail. TI-LFA SRLG protection attempts to find the post-convergence backup path that excludes the SRLG of the protected link. All local links that share any SRLG with the protecting link are excluded.

When you enable link protection, you can also enable node protection, SRLG protection, or both, and specify a tiebreaker priority in case there are multiple LFAs.

The following example illustrates the link, node, and SRLG protection types. In this topology, Node2 applies different protection models to protect traffic to Node7.

Figure 2: TI-LFA Protection Types



- [Limitations, on page 4](#)
- [Usage guidelines and limitations for TI-LFA, on page 4](#)

- [Configuring TI-LFA for IS-IS, on page 5](#)
- [Configuring TI-LFA for OSPF, on page 7](#)
- [TI-LFA Node and SRLG Protection: Examples, on page 8](#)
- [Configuring Global Weighted SRLG Protection, on page 9](#)
- [SR-MPLS over GRE as TI-LFA Backup Path, on page 12](#)
- [Unlabeled IPv6 Traffic Protection, on page 23](#)

## Limitations

Only two backup labels are supported.

## Usage guidelines and limitations for TI-LFA

### Guidelines

- IGP directly programs a TI-LFA backup path requiring 3 or fewer labels, including the label of the protected destination prefix.

### Limitations

- The platform does not support programming of TI-LFA backup paths requiring more than 3 labels.

TI-LFA Functionality	IS-IS <sup>1</sup>	OSPFv2
<i>Protected Traffic Types</i>		
Protection for SR labeled traffic	Supported	Supported
Protection of IPv4 unlabeled traffic	Supported (IS-ISv4)	Supported
Protection of IPv6 unlabeled traffic	Supported (IS-ISv6)	N/A
<i>Protection Types</i>		
Link Protection	Supported	Supported
Node Protection	Supported	Supported
Local SRLG Protection	Supported	Supported
Weighted Remote SRLG Protection	Supported	Supported
Line Card Disjoint Protection	Supported	Unsupported
<i>Interface Types</i>		
Ethernet Interfaces	Supported	Supported
Ethernet Bundle Interfaces	Supported	Supported
TI-LFA over GRE Tunnel as Protecting Interface	Supported	Supported

TI-LFA Functionality	IS-IS <sup>1</sup>	OSPFv2
<i>Additional Functionality</i>		
Maximum number of labels that can be pushed on the backup path (including the label of the protected prefix)	3	3
BFD-triggered	Supported	Supported
BFDv6-triggered	Supported	N/A
Prefer backup path with lowest total metric	Supported	Supported
Prefer backup path from ECMP set	Supported	Supported
Prefer backup path from non-ECMP set	Supported	Supported
Load share prefixes across multiple backups paths	Supported	Supported
Limit backup computation up to the prefix priority	Supported	Supported

<sup>1</sup> Unless specified, IS-IS support is IS-ISv4 and IS-ISv6

## Configuring TI-LFA for IS-IS

This task describes how to enable per-prefix Topology Independent Loop-Free Alternate (TI-LFA) computation to converge traffic flows around link, node, and SRLG failures.

### Before you begin

Ensure that the following topology requirements are met:

- Routers are configured with IS-IS.
- Segment routing for IS-IS is configured. See [Enabling Segment Routing for IS-IS Protocol](#).

### Procedure

	Command or Action	Purpose
<b>Step 1</b>	<b>configure</b> <b>Example:</b> RP/0/RP0/CPU0:router# configure	Enters mode.
<b>Step 2</b>	<b>router isis</b> <i>instance-id</i> <b>Example:</b> RP/0/RP0/CPU0:router(config)# <b>router isis</b> 1	Enables IS-IS routing for the specified routing instance, and places the router in router configuration mode. <b>Note</b> You can change the level of routing to be performed by a particular routing instance by using the <b>is-type</b> router configuration command.

	Command or Action	Purpose
<b>Step 3</b>	<b>interface</b> <i>type interface-path-id</i> <b>Example:</b> <pre>RP/0/RP0/CPU0:router(config-isis)# interface GigabitEthernet0/0/0/1</pre>	Enters interface configuration mode.
<b>Step 4</b>	<b>address-family ipv4 [unicast]</b> <b>Example:</b> <pre>RP/0/RP0/CPU0:router(config-isis-if)# address-family ipv4 unicast</pre>	Specifies the IPv4 address family, and enters router address family configuration mode.
<b>Step 5</b>	<b>fast-reroute per-prefix</b> <b>Example:</b> <pre>RP/0/RP0/CPU0:router(config-isis-if-af)# fast-reroute per-prefix</pre>	Enables per-prefix fast reroute.
<b>Step 6</b>	<b>fast-reroute per-prefix ti-lfa</b> <b>Example:</b> <pre>RP/0/RP0/CPU0:router(config-isis-if-af)# fast-reroute per-prefix ti-lfa</pre>	Enables per-prefix TI-LFA fast reroute link protection.
<b>Step 7</b>	<b>fast-reroute per-prefix tiebreaker</b> <b>{node-protecting   srlg-disjoint} index</b> <i>priority</i> <b>Example:</b> <pre>RP/0/RP0/CPU0:router(config-isis-if-af)# fast-reroute per-prefix tie-breaker srlg-disjoint index 100</pre>	<p>Enables TI-LFA node or SRLG protection and specifies the tiebreaker priority. Valid <i>priority</i> values are from 1 to 255. The lower the <i>priority</i> value, the higher the priority of the rule. Link protection always has a lower priority than node or SRLG protection.</p> <p><b>Note</b> The same attribute cannot be configured more than once on an interface.</p> <p><b>Note</b> For IS-IS, TI-LFA node protection and SRLG protection can be configured on the interface or the instance.</p>

TI-LFA has been successfully configured for segment routing.

# Configuring TI-LFA for OSPF

This task describes how to enable per-prefix Topology Independent Loop-Free Alternate (TI-LFA) computation to converge traffic flows around link, node, and SRLG failures.



**Note** TI-LFA can be configured on the instance, area, or interface. When configured on the instance or area, all interfaces in the instance or area inherit the configuration.

## Before you begin

Ensure that the following topology requirements are met:

- Routers are configured with OSPF.
- Segment routing for OSPF is configured. See [Enabling Segment Routing for OSPF Protocol](#).

## Procedure

	Command or Action	Purpose
<b>Step 1</b>	<b>configure</b> <b>Example:</b>  RP/0/RP0/CPU0:router# <code>configure</code>	Enters mode.
<b>Step 2</b>	<b>router ospf <i>process-name</i></b> <b>Example:</b>  RP/0/RP0/CPU0:router(config)# <code>router ospf 1</code>	Enables OSPF routing for the specified routing process, and places the router in router configuration mode.
<b>Step 3</b>	<b>area <i>area-id</i></b> <b>Example:</b>  RP/0/RP0/CPU0:router(config-ospf)# <code>area 1</code>	Enters area configuration mode.
<b>Step 4</b>	<b>interface <i>type interface-path-id</i></b> <b>Example:</b>  RP/0/RP0/CPU0:router(config-ospf-ar)# <code>interface GigabitEthernet0/0/0/1</code>	Enters interface configuration mode.
<b>Step 5</b>	<b>fast-reroute per-prefix</b> <b>Example:</b>	Enables per-prefix fast reroute.

	Command or Action	Purpose
	RP/0/RP0/CPU0:router(config-ospf-ar-if)# <b>fast-reroute per-prefix</b>	
<b>Step 6</b>	<b>fast-reroute per-prefix ti-lfa</b>  <b>Example:</b>  RP/0/RP0/CPU0:router(config-ospf-ar-if)# <b>fast-reroute per-prefix ti-lfa</b>	Enables per-prefix TI-LFA fast reroute link protection.
<b>Step 7</b>	<b>fast-reroute per-prefix tiebreaker</b> <b>{node-protecting   srlg-disjoint} index</b> <i>priority</i>  <b>Example:</b>  RP/0/RP0/CPU0:router(config-ospf-ar-if)# <b>fast-reroute per-prefix tie-breaker</b> <b>srlg-disjoint index 100</b>	Enables TI-LFA node or SRLG protection and specifies the tiebreaker priority. Valid <i>priority</i> values are from 1 to 255. The higher the <i>priority</i> value, the higher the priority of the rule. Link protection always has a lower priority than node or SRLG protection.  <b>Note</b> The same attribute cannot be configured more than once on an interface.

TI-LFA has been successfully configured for segment routing.

## TI-LFA Node and SRLG Protection: Examples

The following examples show the configuration of the tiebreaker priority for TI-LFA node and SRLG protection, and the behavior of post-convergence backup-path. These examples use OSPF, but the same configuration and behavior applies to IS-IS.

### Example: Enable link-protecting and node-protecting TI-LFA

```
router ospf 1
 area 1
  interface GigabitEthernet0/0/2/1
   fast-reroute per-prefix
   fast-reroute per-prefix ti-lfa
   fast-reroute per-prefix tiebreaker node-protecting index 100
```

Both link-protecting and node-protecting TI-LFA backup paths will be computed. If the priority associated with the node-protecting tiebreaker is higher than any other tiebreakers, then node-protecting post-convergence backup paths will be selected, if it is available.

### Example: Enable link-protecting and SRLG-protecting TI-LFA

```
router ospf 1
 area 1
  interface GigabitEthernet0/0/2/1
   fast-reroute per-prefix
   fast-reroute per-prefix ti-lfa
```



```
fast-reroute per-prefix tiebreaker srlg-disjoint index 100
```

Both link-protecting and SRLG-protecting TI-LFA backup paths will be computed. If the priority associated with the SRLG-protecting tiebreaker is higher than any other tiebreakers, then SRLG-protecting post-convergence backup paths will be selected, if it is available.

#### Example: Enable link-protecting, node-protecting and SRLG-protecting TI-LFA

```
router ospf 1
  area 1
    interface GigabitEthernet0/0/2/1
      fast-reroute per-prefix
      fast-reroute per-prefix ti-lfa
      fast-reroute per-prefix tiebreaker node-protecting index 200
      fast-reroute per-prefix tiebreaker srlg-disjoint index 100
```

Link-protecting, node-protecting, and SRLG-protecting TI-LFA backup paths will be computed. If the priority associated with the node-protecting tiebreaker is highest from all tiebreakers, then node-protecting post-convergence backup paths will be selected, if it is available. If the node-protecting backup path is not available, SRLG-protecting post-convergence backup path will be used, if it is available.

## Configuring Global Weighted SRLG Protection

A shared risk link group (SRLG) is a set of links sharing a common resource and thus shares the same risk of failure. The existing loop-free alternate (LFA) implementations in interior gateway protocols (IGPs) support SRLG protection. However, the existing implementation considers only the directly connected links while computing the backup path. Hence, SRLG protection may fail if a link that is not directly connected but shares the same SRLG is included while computing the backup path. Global weighted SRLG protection feature provides better path selection for the SRLG by associating a weight with the SRLG value and using the weights of the SRLG values while computing the backup path.

To support global weighted SRLG protection, you need information about SRLGs on all links in the area topology. For IS-IS, you can flood SRLGs for remote links or manually configuring SRLGs on remote links. For OSPF, the SRLG values are advertised in the Extended Link LSA when SRLG is configured for that interface and Segment Routing is enabled.

The administrative weight (cost) of the SRLG can be configured using the **admin-weight** command. This command can be applied for all SRLG (global), or for a specific (named) SRLG. The default (global) admin-weight value is 1 for IS-IS, and 1000 for OSPF.

#### Configuration Examples: Global Weighted SRLG Protection for IS-IS

There are three types of configurations that are supported for the global weighted SRLG protection feature for IS-IS:

- Local SRLG with global weighted SRLG protection
- Remote SRLG flooding
- Remote SRLG static provisioning

This example shows how to configure the local SRLG with global weighted SRLG protection feature.

```

RP/0/RP0/CPU0:router(config)# srlg
RP/0/RP0/CPU0:router(config-srlg)# interface TenGigE0/0/0/0
RP/0/RP0/CPU0:router(config-srlg-if)# name group1
RP/0/RP0/CPU0:router(config-srlg-if)# exit
RP/0/RP0/CPU0:router(config-srlg)# interface TenGigE0/0/0/1
RP/0/RP0/CPU0:router(config-srlg-if)# name group1
RP/0/RP0/CPU0:router(config-srlg)# exit
RP/0/RP0/CPU0:router(config-srlg)# name group1 value 100
RP/0/RP0/CPU0:router(config-srlg)# exit
RP/0/RP0/CPU0:router(config)# router isis 1
RP/0/RP0/CPU0:router(config-isis)# address-family ipv4 unicast
RP/0/RP0/CPU0:router(config-isis-af)# fast-reroute per-prefix srlg-protection weighted-global
RP/0/RP0/CPU0:router(config-isis-af)# fast-reroute per-prefix tiebreaker srlg-disjoint index
1
RP/0/RP0/CPU0:router(config-isis-af)# exit
RP/0/RP0/CPU0:router(config-isis)# interface TenGigE0/0/0/0
RP/0/RP0/CPU0:router(config-isis-if)# point-to-point
RP/0/RP0/CPU0:router(config-isis-if)# address-family ipv4 unicast
RP/0/RP0/CPU0:router(config-isis-if-af)# fast-reroute per-prefix
RP/0/RP0/CPU0:router(config-isis-if-af)# fast-reroute per-prefix ti-lfa
RP/0/RP0/CPU0:router(config-isis-if-af)# exit
RP/0/RP0/CPU0:router(config-isis-if)# exit
RP/0/RP0/CPU0:router(config-isis)# srlg
RP/0/RP0/CPU0:router(config-isis-srlg)# name group1
RP/0/RP0/CPU0:router(config-isis-srlg-name)# admin-weight 5000

```

This example shows how to configure the global weighted SRLG protection feature with remote SRLG flooding. The configuration includes local and remote router configuration. On the local router, the global weighted SRLG protection is enabled by using the **fast-reroute per-prefix srlg-protection weighted-global** command. In the remote router configuration, you can control the SRLG value flooding by using the **advertise application lfa link-attributes srlg** command. You should also globally configure SRLG on the remote router.

The local router configuration for global weighted SRLG protection with remote SRLG flooding is as follows:

```

RP/0/RP0/CPU0:router(config)# router isis 1
RP/0/RP0/CPU0:router(config-isis)# address-family ipv4 unicast
RP/0/RP0/CPU0:router(config-isis-af)# fast-reroute per-prefix srlg-protection weighted-global
RP/0/RP0/CPU0:router(config-isis-af)# fast-reroute per-prefix tiebreaker srlg-disjoint index
1
RP/0/RP0/CPU0:router(config-isis-af)# exit
RP/0/RP0/CPU0:router(config-isis)# interface TenGigE0/0/0/0
RP/0/RP0/CPU0:router(config-isis-if)# point-to-point
RP/0/RP0/CPU0:router(config-isis-if)# address-family ipv4 unicast
RP/0/RP0/CPU0:router(config-isis-if-af)# fast-reroute per-prefix
RP/0/RP0/CPU0:router(config-isis-if-af)# fast-reroute per-prefix ti-lfa
RP/0/RP0/CPU0:router(config-isis-if-af)# exit
RP/0/RP0/CPU0:router(config-isis-if)# exit
RP/0/RP0/CPU0:router(config-isis)# srlg
RP/0/RP0/CPU0:router(config-isis-srlg)# name group1
RP/0/RP0/CPU0:router(config-isis-srlg-name)# admin-weight 5000

```

The remote router configuration for global weighted SRLG protection with remote SRLG flooding is as follows:

```

RP/0/RP0/CPU0:router(config)# srlg
RP/0/RP0/CPU0:router(config-srlg)# interface TenGigE0/0/0/0
RP/0/RP0/CPU0:router(config-srlg-if)# name group1
RP/0/RP0/CPU0:router(config-srlg-if)# exit
RP/0/RP0/CPU0:router(config-srlg)# interface TenGigE0/0/0/1

```

```

RP/0/RP0/CPU0:router(config-srlg-if)# name group1
RP/0/RP0/CPU0:router(config-srlg-if)# exit
RP/0/RP0/CPU0:router(config-srlg)# name group1 value 100
RP/0/RP0/CPU0:router(config-srlg)# exit
RP/0/RP0/CPU0:router(config)# router isis 1
RP/0/RP0/CPU0:router(config-isis)# address-family ipv4 unicast
RP/0/RP0/CPU0:router(config-isis-af)# advertise application lfa link-attributes srlg

```

This example shows configuring the global weighted SRLG protection feature with static provisioning of SRLG values for remote links. You should perform these configurations on the local router.

```

RP/0/RP0/CPU0:router(config)# srlg
RP/0/RP0/CPU0:router(config-srlg)# interface TenGigE0/0/0/0
RP/0/RP0/CPU0:router(config-srlg-if)# name group1
RP/0/RP0/CPU0:router(config-srlg-if)# exit
RP/0/RP0/CPU0:router(config-srlg)# interface TenGigE0/0/0/1
RP/0/RP0/CPU0:router(config-srlg-if)# name group1
RP/0/RP0/CPU0:router(config-srlg-if)# exit
RP/0/RP0/CPU0:router(config-srlg)# name group1 value 100
RP/0/RP0/CPU0:router(config-srlg)# exit
RP/0/RP0/CPU0:router(config)# router isis 1
RP/0/RP0/CPU0:router(config-isis)# address-family ipv4 unicast
RP/0/RP0/CPU0:router(config-isis-af)# fast-reroute per-prefix srlg-protection weighted-global
RP/0/RP0/CPU0:router(config-isis-af)# fast-reroute per-prefix tiebreaker srlg-disjoint index
1
RP/0/RP0/CPU0:router(config-isis-af)# exit
RP/0/RP0/CPU0:router(config-isis)# interface TenGigE0/0/0/0
RP/0/RP0/CPU0:router(config-isis-if)# point-to-point
RP/0/RP0/CPU0:router(config-isis-if)# address-family ipv4 unicast
RP/0/RP0/CPU0:router(config-isis-if-af)# fast-reroute per-prefix
RP/0/RP0/CPU0:router(config-isis-if-af)# fast-reroute per-prefix ti-lfa
RP/0/RP0/CPU0:router(config-isis-if-af)# exit
RP/0/RP0/CPU0:router(config-isis-if)# exit
RP/0/RP0/CPU0:router(config-isis)# srlg
RP/0/RP0/CPU0:router(config-isis-srlg)# name group1
RP/0/RP0/CPU0:router(config-isis-srlg-name)# admin-weight 5000
RP/0/RP0/CPU0:router(config-isis-srlg-name)# static ipv4 address 10.0.4.1 next-hop ipv4
address 10.0.4.2
RP/0/RP0/CPU0:router(config-isis-srlg-name)# static ipv4 address 10.0.4.2 next-hop ipv4
address 10.0.4.1

```

### Configuration Examples: Global Weighted SRLG Protection for OSPF

There are two types of configurations that are supported for the global weighted SRLG protection feature for OSPF:

- Local SRLG with global weighted SRLG protection
- Remote SRLG static provisioning



**Note** There is no specific configuration to enable SRLG flooding in OSPF. The SRLG values are advertised in the Extended Link LSA if SRLG is configured for that interface and Segment Routing is enabled.

This example shows how to configure the local SRLG with global weighted SRLG protection feature.

```

Router(config)# srlg
Router(config-srlg)# interface hundredGigE 0/0/0/0
Router(config-srlg-if)# name group1
Router(config-srlg-if)# exit
Router(config-srlg)# interface hundredGigE 0/0/0/1
Router(config-srlg-if)# name group1
Router(config-srlg-if)# exit
Router(config-srlg)# name group1 value 100
Router(config-srlg)# exit
Router(config)# router ospf 1
Router(config-ospf)# fast-reroute per-prefix srlg-protection weighted-global
Router(config-ospf)# fast-reroute per-prefix tiebreaker srlg-disjoint index 1
Router(config-ospf-ar)# interface hundredGigE 0/0/0/0
Router(config-ospf-ar-if)# fast-reroute per-prefix
Router(config-ospf-ar-if)# fast-reroute per-prefix ti-lfa
Router(config-ospf-ar-if)# exit
Router(config-ospf-ar)# exit
Router(config-ospf)# srlg
Router(config-ospf-srlg)# admin-weight 3000
Router(config-ospf-srlg)# name group1
Router(config-ospf-srlg-name)# admin-weight 5000

```

This example shows configuring the global weighted SRLG protection feature with static provisioning of SRLG values for remote links. You should perform these configurations on the remote router.

```

Router(config)# srlg
Router(config-srlg)# interface hundredGigE 0/0/0/0
Router(config-srlg-if)# name group1
Router(config-srlg-if)# exit
Router(config-srlg)# interface hundredGigE 0/0/0/1
Router(config-srlg-if)# name group1
Router(config-srlg-if)# exit
Router(config-srlg)# name group1 value 100
Router(config-srlg)# exit
Router(config)# router ospf 1
Router(config-ospf)# area 1
Router(config-ospf-ar)# interface hundredGigE 0/0/0/0
Router(config-ospf-ar-if)# exit
Router(config-ospf-ar)# exit

```

## SR-MPLS over GRE as TI-LFA Backup Path

This feature allows the router (as ABR) to program a Generic Routing Encapsulation (GRE) tunnel as an outgoing interface for TI-LFA backup paths computed by the IGP in a Segment Routing network. Single-segment TI-LFA scenario is supported. In this scenario, the router pushes one extra label when programming the backup path.




---

**Note** GRE is a tunneling protocol that provides a simple generic approach to transport packets of one protocol over another protocol by means of encapsulation. See the [Configuring GRE Tunnels](#) chapter in the *Interface and Hardware Component Configuration Guide*.

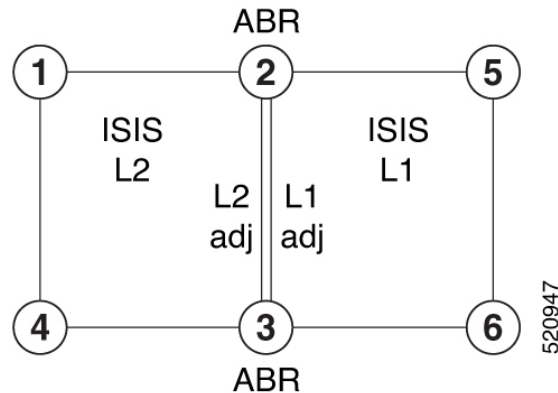
---

### Multi-Level Network Topology

The following example shows a multi-level network topology with interconnecting links between ABRs.



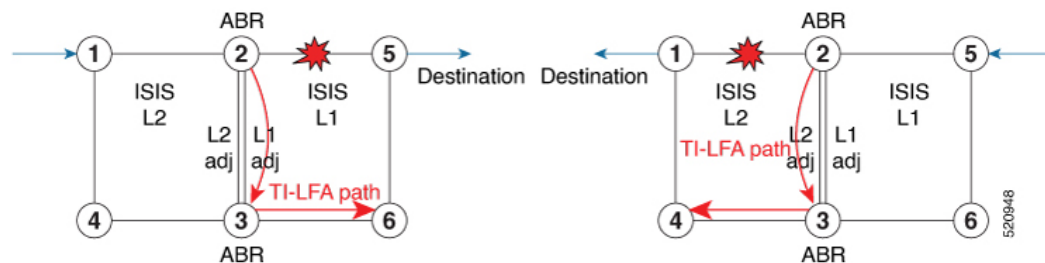
**Note** This could also be a multi-instance network topology.



Two links between ABR 2 and ABR 3 are required, one in each IS-IS level. These links provide protection in each direction and ensure that there is always an alternate path inside the IGP domain.



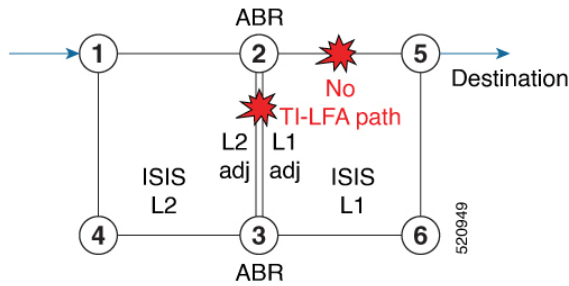
**Note** Alternatively, a single link with two logical sub-interfaces could be used between the ABRs.



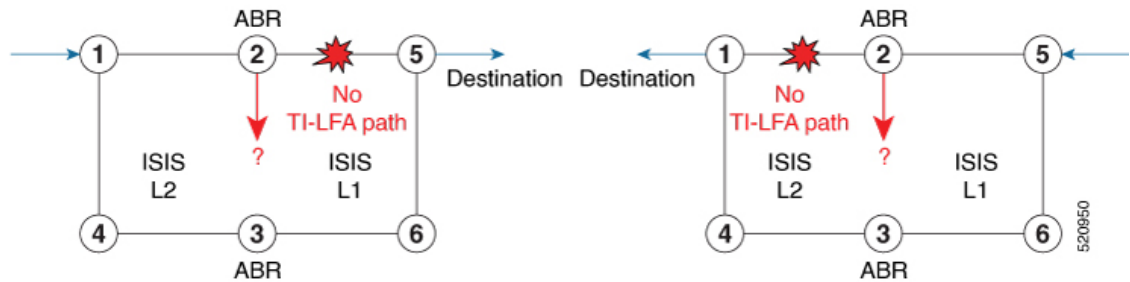
TI-LFA performs the backup path calculation inside the domain (process, level, or area) of the failed link.

For example, if the link between nodes 2 and 5 failed, the link between ABR 2 and 3 would create a TI-LFA path in L1 IS-IS level. If the link between nodes 1 and 2 failed, the link between ABR 2 and 3 would create a TI-LFA path in L2 IS-IS level.

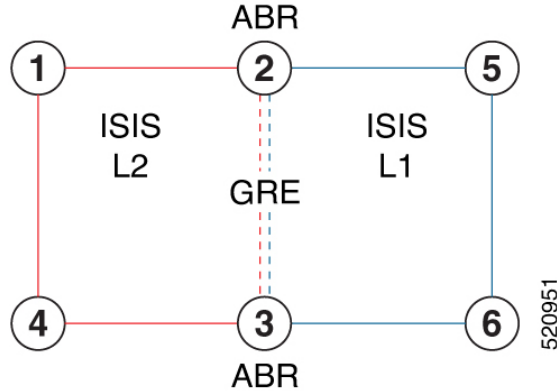
However, if the interconnecting link between ABRs are in the same Shared Risk Link Groups (SRLG) as other links inside the domain (for example, the link between Nodes 2 and 3 are in the same SRLG as link between Nodes 2 and 5), TI-LFA with local SRLG protection would not find an alternate path.



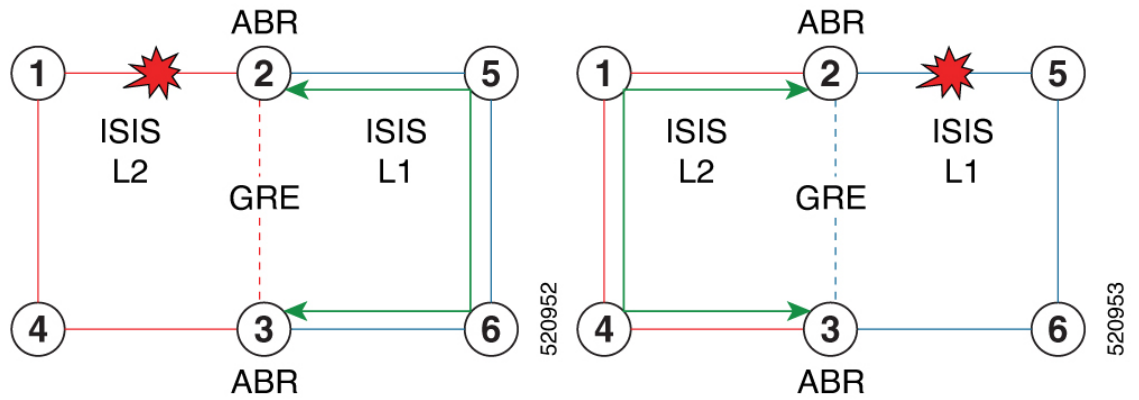
In cases where it is not feasible to provide interconnecting links between ABRs (for example, the ABR nodes might be in different locations with no connectivity options), TI-LFA will not be able to compute backup paths for all of the prefixes.



To address these issues, you can create a GRE tunnel in each domain, between the ABRs, which can be used as TI-LFA backup paths.

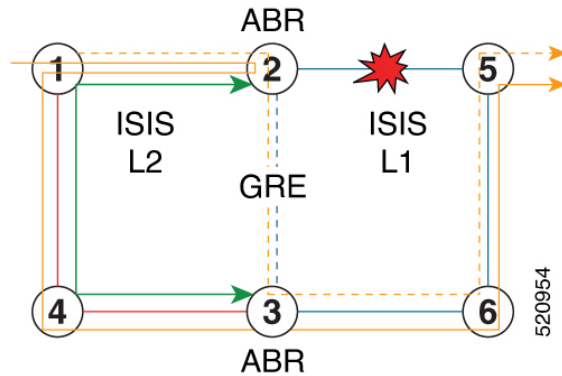


Now, if a link failure occurs in either IS-IS level (for example, between nodes 1 and 2 or between nodes 2 and 5), the path is protected by the GRE tunnel.

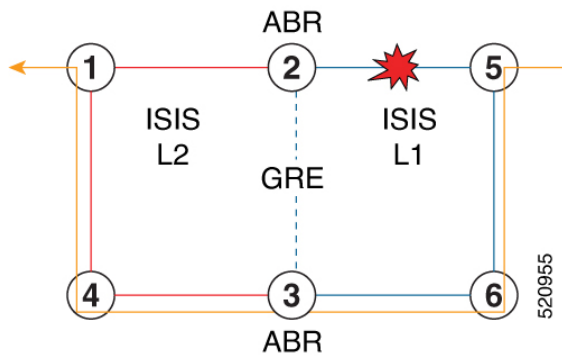


**Backup Path for Link Failure Between Nodes 2 and 5**

Traffic from node 1 is rerouted over the GRE tunnel TI-LFA backup path between ABR nodes 2 and 3.



Traffic flowing in the opposite direction, from node 5 to node 1, is simply routed over nodes 6-3-4 to node 1.



**Limitations**

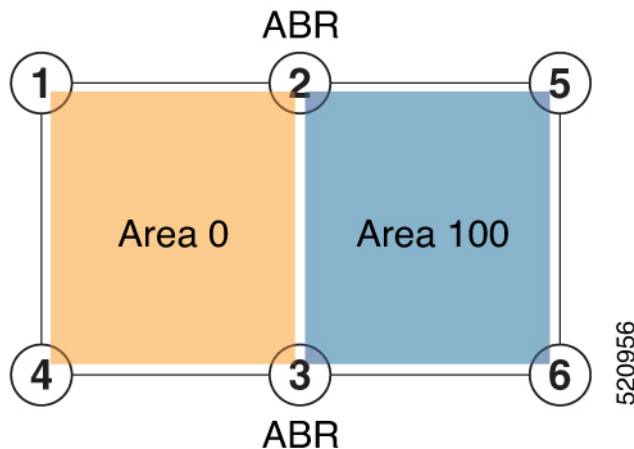
The following behaviors and limitations apply to the router when a GRE tunnel is programmed as backup interface for TI-LFA:

- The MPLS label of a protected prefix must be the same in the primary and backup paths (SWAP scenario)

- Single-segment TI-LFA is supported. In this scenario, the router pushes one extra label when programming the backup path. The total label stack is 2, including the primary label and backup label.
- Double-segment (or more) TI-LFA is not supported. In this scenario, the router pushes two or more extra labels when programming the backup path.
- GRE tunnel as a primary or backup path for an SR policy with TI-LFA protection is not supported.

## Example: SR-MPLS over GRE as TI-LFA Backup Path

The examples in this section use the following network topology:



### Configurations Without Interconnecting ABR Links

The following sample configurations show OSPF configurations for nodes 2, 3 and 5. Nodes 2 and 3 are ABRs between Area 0 and Area 100. There is no connection between the ABRs.

#### Configuration on ABR 2 for Area 0 and Area 100

```
router ospf 100
  router-id 2.2.2.2
  segment-routing mpls
  segment-routing forwarding mpls
  fast-reroute per-prefix
  fast-reroute per-prefix ti-lfa enable
  segment-routing sr-prefer
  area 0
    interface Loopback0
      prefix-sid index 2
    !
    !
    interface TenGigE0/0/1/10
      network point-to-point
    !
    !
  area 100
    interface TenGigE0/0/1/11
      network point-to-point
```



```
RP/0/RSP0/CPU0:ABR2# show ospf neighbor area-sorted
Fri Jul 19 09:43:59.328 UTC
```

```
Neighbors for OSPF 100
Area 0
```

Neighbor ID	Pri	State	Dead Time	Address	Up Time	Interface
10.1.1.1	1	FULL/	- 00:00:35	10.1.2.1	1d20h	Te0/0/1/10

```
Total neighbor count: 1
```

```
Area 100
```

Neighbor ID	Pri	State	Dead Time	Address	Up Time	Interface
5.5.5.5	1	FULL/	- 00:00:33	10.2.5.5	1d20h	Te0/0/1/11

```
Total neighbor count: 1
```

### Configuration on ABR 3 for Area 0 and Area 100

```
router ospf 100
router-id 3.3.3.3
segment-routing mpls
segment-routing forwarding mpls
fast-reroute per-prefix
fast-reroute per-prefix ti-lfa enable
segment-routing sr-prefer
area 0
  interface Loopback0
  prefix-sid index 3
  !
  interface TenGigE0/0/0/9
  network point-to-point
  !
  !
area 100
  interface TenGigE0/0/0/3
  network point-to-point
  !
```

```
RP/0/RSP0/CPU0:ABR3# show ospf neighbor area-sorted
Fri Jul 19 09:33:35.816 UTC
```

```
Neighbors for OSPF 100
Area 0
```

Neighbor ID	Pri	State	Dead Time	Address	Up Time	Interface
4.4.4.4	1	FULL/	- 00:00:36	10.3.4.4	2d17h	Te0/0/0/9

```
Total neighbor count: 1
```

```
Area 100
```

Neighbor ID	Pri	State	Dead Time	Address	Up Time	Interface
6.6.6.6	1	FULL/	- 00:00:36	10.3.6.6	2d19h	Te0/0/0/3

```
Total neighbor count: 1
```

### Configuration on Node 5

```
segment-routing mpls
!
set-attributes
address-family ipv4
sr-label-preferred
```

```

!
connected-prefix-sid-map
  address-family ipv4
    5.5.5.5/32 index 5 range 1
!
interface TenGigabitEthernet0/0/26
  description ***Connected to ABR 2
  ip address 10.2.5.5 255.255.255.0
  ip ospf network point-to-point
  cdp enable
!
interface TenGigabitEthernet0/0/27
  description ***Connected to Node 6
  ip address 10.5.6.5 255.255.255.0
  ip ospf network point-to-point
  cdp enable

router ospf 100
  router-id 5.5.5.5
  segment-routing area 100 mpls
  segment-routing mpls
  fast-reroute per-prefix enable prefix-priority low
  fast-reroute per-prefix ti-lfa
  fast-reroute per-prefix ti-lfa area 100
  passive-interface default
  no passive-interface TenGigabitEthernet0/0/26
  no passive-interface TenGigabitEthernet0/0/27
  network 10.2.5.0 0.0.0.255 area 100
  network 10.5.5.0 0.0.0.255 area 100
  network 10.5.6.0 0.0.0.255 area 100
  network 5.5.5.5 0.0.0.0 area 100

```

```

RP/0/RSP0/CPU0:Node5# show ip ospf neighbor
Load for five secs: 4%/1%; one minute: 4%; five minutes: 4%
Time source is NTP, 09:50:51.417 UTC Fri Jul 19 2019

```

Neighbor ID	Pri	State	Dead Time	Address	Interface
6.6.6.6	0	FULL/	- 00:00:32	10.5.6.6	TenGigabitEthernet0/0/27
2.2.2.2	0	FULL/	- 00:00:36	10.5.2.5	TenGigabitEthernet0/0/26

### TI-LFA Fast Reroute Coverage on Node 5

The following output shows that this configuration provides only 52% TI-LFA fast reroute coverage on Node 5:

```

RP/0/RSP0/CPU0:Node5# show ip ospf fast-reroute prefix-summary
Load for five secs: 4%/1%; one minute: 4%; five minutes: 4%
Time source is NTP, 10:32:20.236 UTC Fri Jul 19 2019
      OSPF Router with ID (5.5.5.5) (Process ID 100)
      Base Topology (MTID 0)

Area 100:
Interface          Protected   Primary paths   Protected paths  Percent protected
                   Yes        All  High  Low  All  High  Low  All  High  Low
Lo0                 Yes        0    0    0    0    0    0    0    0%  0%  0%
Te0/0/27            Yes        7    4    3    1    1    0    14% 25%  0%
Te0/0/26            Yes       10    5    5    8    4    4    80% 80% 80%

Area total:
                   17    9    8    9    5    4    52% 55% 50%

Process total:
                   17    9    8    9    5    4    52% 55% 50%

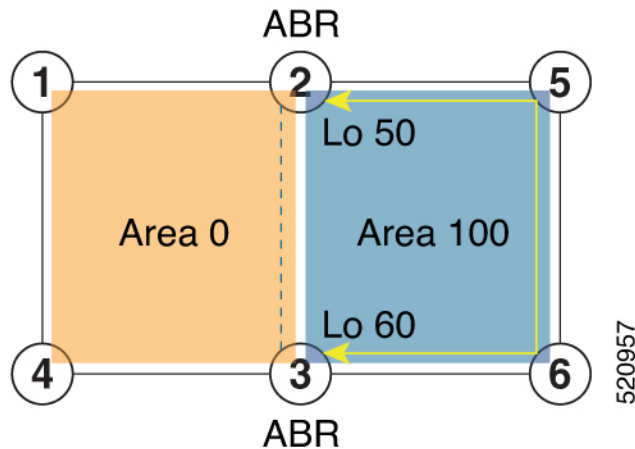
```

### GRE Tunnel Configuration

The following examples show how to configure GRE tunnels between the ABRs in each area to provide TI-LFA backup paths for the Segment Routing network.

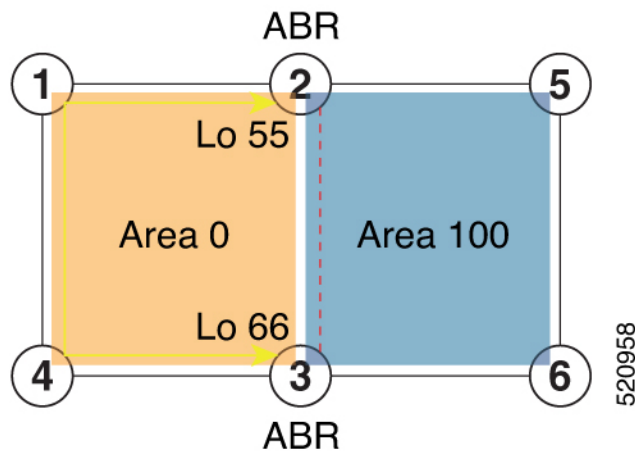
**GRE BLU** is configured in Area 0 using Loopback50 (on ABR2) and Loopback 60 (on ABR 3). These loopbacks are advertised in Area 100:

Figure 3: GRE BLU



**GRE RED** is configured in Area 100 using Loopback55 (on ABR2) and Loopback 66 (on ABR3). These loopbacks are advertised in Area 0:

Figure 4: GRE RED



### Configuration on ABR 2

```
interface Loopback0
  ipv4 address 2.2.2.2 255.255.255.255
!
interface Loopback50
  description Lo for GRE BLU
  ipv4 address 50.0.0.50 255.255.255.0
!
interface Loopback55
```

```

description Lo for GRE RED
ipv4 address 55.55.55.55 255.255.255.255
!
interface tunnel-ip5060
description GRE virtual link for Area 0 BLU
ipv4 address 66.3.2.2 255.255.255.0
tunnel source Loopback50
tunnel destination 60.0.0.60
!
interface tunnel-ip5566
description GRE virtual link for Area 100 RED
ipv4 address 100.3.2.2 255.255.255.0
tunnel source Loopback55
tunnel destination 66.66.66.66

router ospf 100
router-id 2.2.2.2
segment-routing mpls
segment-routing forwarding mpls
fast-reroute per-prefix
fast-reroute per-prefix ti-lfa enable
segment-routing sr-prefer
area 0
interface Loopback0
prefix-sid index 2
!
interface Loopback55
passive enable
!
interface tunnel-ip5060
cost 1000
!
interface TenGigE0/0/1/10
network point-to-point
!
!
area 100
interface Loopback50
passive enable
!
interface tunnel-ip5566
cost 1000
!
interface TenGigE0/0/1/11
network point-to-point

```



**Note** In the above configuration, GRE tunnel-ip5060 belongs to area 0, but its source and destination addresses are advertised in area 100. This ensures disjointness between the GRE tunnel and the links in area 0 that it protects. The same applies to GRE tunnel-ip5566 which belongs to area 100 and its source and destination addresses are advertised in area 0.

A high cost is applied to the GRE tunnel interfaces so that they are used only as a backup path.

### Configuration on ABR 3

```

interface Loopback0
ipv4 address 3.3.3.3 255.255.255.255
!
interface Loopback60
description Lo for GRE BLU

```

```

    ipv4 address 60.0.0.60 255.255.255.0
    !
interface Loopback66
  description Lo for GRE RED
  ipv4 address 66.66.66.66 255.255.255.255
  !
interface tunnel-ip5060
  description GRE virtual link for Area 0 BLU
  ipv4 address 66.3.2.3 255.255.255.0
  tunnel source Loopback60
  tunnel destination 50.0.0.50
  !
interface tunnel-ip5566
  description GRE virtual link for Area 100 RED
  ipv4 address 100.3.2.3 255.255.255.0
  tunnel source Loopback66
  tunnel destination 55.55.55.55

router ospf 100
  router-id 3.3.3.3
  segment-routing mpls
  segment-routing forwarding mpls
  fast-reroute per-prefix
  fast-reroute per-prefix ti-lfa enable
  segment-routing sr-prefer
  area 0
    interface Loopback0
      prefix-sid index 3
    !
    interface TenGigE0/0/0/9
      network point-to-point
    !
    interface Loopback66
      passive enable
    !
    interface tunnel-ip5060
      cost 1000
    !
  area 100
    interface TenGigE0/0/0/3
      network point-to-point
    !
    interface Loopback60
      passive enable
    !
    interface tunnel-ip5566
      cost 1000

```



**Note** In the above configuration, GRE tunnel-ip5060 belongs to area 0, but its source and destination addresses are advertised in area 100. This ensures disjointness between the GRE tunnel and the links in area 0 that it protects. The same applies to GRE tunnel-ip5566 which belongs to area 100 and its source and destination addresses are advertised in area 0.

A high cost is applied to the GRE tunnel interfaces so that they are used only as a backup path.

### TI-LFA Fast Reroute Coverage on Node 5 After GRE Tunnel Configuration

The following output shows that this configuration provides 100% TI-LFA fast reroute coverage on Node 5:

Example: SR-MPLS over GRE as TI-LFA Backup Path

```

RP/0/RSP0/CPU0:Node5# show ip ospf fast-reroute prefix-summary
Load for five secs: 5%/1%; one minute: 4%; five minutes: 4%
Time source is NTP, 11:20:31.743 UTC Fri Jul 19 2019
      OSPF Router with ID (5.5.5.5) (Process ID 100)
      Base Topology (MTID 0)

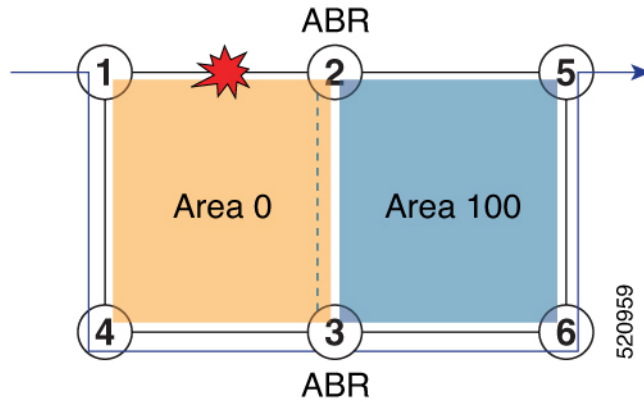
Area 100:
Interface          Protected   Primary paths   Protected paths   Percent protected
                   Yes        All  High  Low  All  High  Low  All  High  Low
Lo0                 Yes        0    0    0    0    0    0    0%  0%  0%
Te0/0/27            Yes        9    6    3    9    6    3  100% 100% 100%
Te0/0/26            Yes       11    6    5   11    6    5  100% 100% 100%

Area total:
                   20    12    8    20    12    8  100% 100% 100%

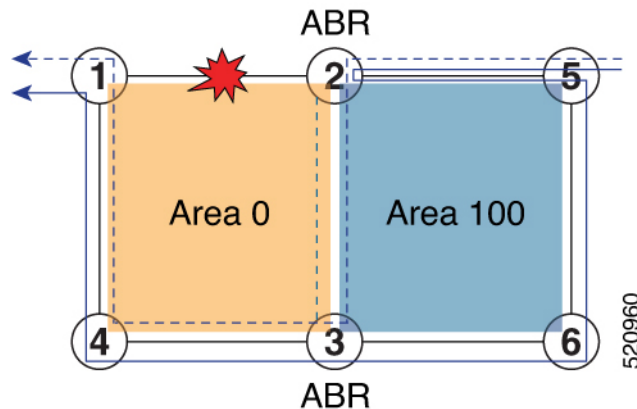
Process total:
                   20    12    8    20    12    8  100% 100% 100%
    
```

Traffic Flow with GRE Tunnel as TI-LFA Backup

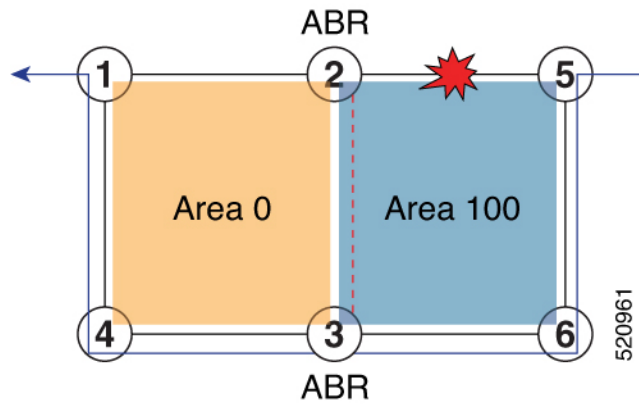
With a link failure between Node 1 and ABR 2, traffic flowing from Node 1 to Node 5 is simply routed through Nodes 4-3-6 to Node 5.



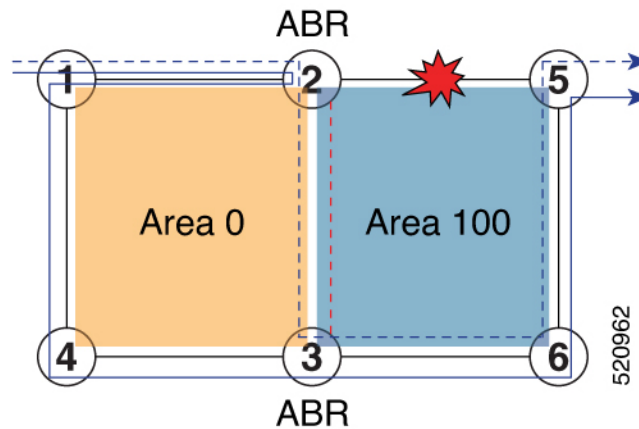
With GRE tunnel as TI-LFA backup, traffic flowing from Node 5 to Node 1 will be encapsulated at ABR2 and routing over the GRE tunnel.



With a link failure between Node 5 and ABR 2, traffic flowing from Node 5 to Node 1 is simply routed through Nodes 6-3-4 to Node 1.



With GRE tunnel as TI-LFA backup, traffic flowing from Node 1 to Node 5 will be encapsulated at ABR2 and routing over the GRE tunnel.



## Unlabeled IPv6 Traffic Protection

Table 2: Feature History Table

Feature Name	Release Information	Feature Description
IPv6 Unlabeled Traffic protection with TI-LFA	Release 7.3.1	<p>TI-LFA provides protection for SR-labeled traffic (IPv4 and IPv6 prefixes associated with a prefix SID) and for other unlabeled IPv4 prefixes.</p> <p>This feature introduces support for protecting unlabeled IPv6 prefixes.</p>

This feature introduces support for protecting unlabeled IPv6 prefixes. IS-IS can calculate and install TI-LFA backup paths for unlabeled IPv6 prefixes.

By default, all IPv6 prefixes without a prefix SID are eligible to have a dynamic local label assigned to them. This behavior provides the greatest degree of protection, but in some deployments, it may consume too many MPLS labels. This feature provides the ability to disable local label allocation or to restrict local label allocation to a subset of prefixes based on a prefix list or route policy.

Use the following commands in IS-IS IPv6 address family configuration mode to specify the local label allocation behavior:

- **segment-routing mpls unlabeled protection disable**—Disable local label allocation.
- **segment-routing mpls unlabeled protection prefix-list *sample\_prefix\_list***—Restricts local label allocation to the prefixes based on a prefix list.
- **segment-routing mpls unlabeled protection route-policy *sample\_rpl***—Restricts local label allocation to the prefixes based a route policy.

## Configuration

The following example shows how to disable local label allocation:

```
Router(config)# router isis 1
Router(config-isis)# address-family ipv6 unicast
Router(config-isis-af)# segment-routing mpls unlabeled protection disable
Router(config-isis-af)#
```

The following example shows how to enable local label allocation for prefixes in a prefix list:

```
Router(config)# ipv6 prefix-list sample_prefix_list
Router(config-ipv6-pfx)# 10 permit 333::333:0:0/96 ge 112
Router(config-ipv6-pfx)# 20 permit 666::666:0:0/96 ge 112
Router(config-ipv6-pfx)# exit
Router(config)#
```

```
Router(config)# router isis 1
Router(config-isis)# address-family ipv6 unicast
Router(config-isis-af)# segment-routing mpls unlabeled protection prefix-list
sample_prefix_list
Router(config-isis-af)# commit
```

The following example shows how to enable local label allocation for prefixes in a route policy:

```
Router(config)# prefix-set sample_prefix_set
Router(config-pfx)# 333::333:1:0/112
Router(config-pfx)# end-set
Router(config)# route-policy sample_rpl
Router(config-rpl)# if destination in sample_prefix_set then
Router(config-rpl-if)# pass
Router(config-rpl-if)# else drop endif
Router(config-rpl)# end-policy
Router(config)#
```

```
Router(config)# router isis 1
Router(config-isis)# address-family ipv6 unicast
Router(config-isis-af)# segment-routing mpls unlabeled protection route-policy sample_rpl
Router(config-isis-af)# commit
```

## Verification

In the following **show** command output, 24103 is the local label used to program the prefix with a TI-LFA backup.



```

Router# show isis ipv6 unicast route 333::333:1:0/112 detail
L2 333::333:1:0/112 [120/115] Label: 24103, low priority
  via fe80::28a:96ff:fef4:5403, TenGigE0/1/0/3/5, r6, SRGB Base: 16000, Weight: 0
  src R1.00-01, 1:1:1::1

Router# show isis ipv6 fast-reroute 333::333:1:0/112 detail
L2 333::333:1:0/112 [120/115] Label: 24103, low priority
  via fe80::28a:96ff:fef4:5403, TenGigE0/1/0/3/5, R6, SRGB Base: 16000, Weight: 0
  Backup path: TI-LFA (link), via fe80::2c1:64ff:fe60:39b9, TenGigE0/1/0/3/0 R4, SRGB
  Base: 16000, Weight: 0, Metric: 140
  P node: R3.00 [3:3:3::3], Label: 16333
  Prefix label: None
  Backup-src: R1.00
  P: No, TM: 140, LC: No, NP: No, D: No, SRLG: Yes
  src R1.00-a9, 1:1:1::1

Router# show route ipv6 333::333:1:0/112 detail
Routing entry for 333::333:1:0/112
  Known via "isis 1", distance 115, metric 120, type level-2
  Installed Jul 26 19:11:58.840 for 00:00:47
  Routing Descriptor Blocks
    fe80::2c1:64ff:fe60:39b9, from 1:1:1::1, via TenGigE0/1/0/3/0, Backup (TI-LFA)
      Repair Node(s): 3:3:3::3
      Route metric is 140
      Label: 0x3fcd (16333)
      Tunnel ID: None
      Binding Label: None
      Extended communities count: 0
      Path id:65          Path ref count:1
      NHID:0x20008(Ref:20026)
    fe80::28a:96ff:fef4:5403, from 1:1:1::1, via TenGigE0/1/0/3/5, Protected
      Route metric is 120
      Label: None
      Tunnel ID: None
      Binding Label: None
      Extended communities count: 0
      Path id:1          Path ref count:0
      NHID:0x20009(Ref:20021)
      Backup path id:65
  Route version is 0x1e (30)
  Local Label: 0x5e27 (24103)
  IP Precedence: Not Set
  QoS Group ID: Not Set
  Flow-tag: Not Set
  Fwd-class: Not Set
  Route Priority: RIB_PRIORITY_NON_RECURSIVE_LOW (8) SVD Type RIB_SVD_TYPE_LOCAL
  Download Priority 2, Download Version 4200135
  No advertising protos.

Router# show mpls forwarding labels 24103
Local  Outgoing  Prefix      Outgoing    Next Hop      Bytes
Label  Label       or ID       Interface    Next Hop      Switched
-----
24103  Unlabelled  333::333:1:0/112  Te0/1/0/3/5  fe80::28a:96ff:fef4:5403  \
                                           0
                                           fe80::2c1:64ff:fe60:39b9  \
                                           0
                                           (!)

```

