



Configuring Modular QoS Service Packet Classification

This chapter covers these topics:

- [Packet Classification Overview](#), on page 2
- [Traffic Class Elements](#), on page 4
- [Traffic Policy Elements](#), on page 12
- [Ingress Short-Pipe](#), on page 44
- [Selective Egress Policy-Based Queue Mapping](#), on page 47
- [Configuring QoS Groups with an ACL](#), on page 51
- [Configuring an ACL with Fragment Match](#), on page 55
- [Restrictions](#), on page 60
- [In-Place Policy Modification](#), on page 62
- [References for Modular QoS Service Packet Classification](#), on page 63
- [QPPB](#), on page 86

Packet Classification Overview

Table 1: Feature History Table

Feature Name	Release Information	Feature Description
Cisco NC57 Compatibility Mode: QoS Enablement on Layer 2 MPLS/BGP	Release 7.3.1	<p>This feature is now supported on routers that have the Cisco NC57 line cards installed and operate in the compatibility mode.</p> <p>The following Layer 2 services are supported:</p> <ul style="list-style-type: none"> • Local switching [xconnect or bridging] • Layer 2 VPN – Virtual Private Wire Service (VPWS) <p>Apart from packet classification, this feature is available for the following QoS operations:</p> <ul style="list-style-type: none"> • Modular QoS Congestion Avoidance • Configuring Modular QoS Congestion Management • QoS on Link Bundles • Configuring Hierarchical Modular QoS

Feature Name	Release Information	Feature Description
Cisco NC57 Native Mode: QoS Enablement on Layer 2 Services	Release 7.4.1	<p>This feature is now supported on routers that have the Cisco NC57 line cards installed and operate in the native mode.</p> <p>The following Layer 2 services are supported:</p> <ul style="list-style-type: none"> • Local switching [xconnect or bridging] • Layer 2 VPN – Virtual Private Wire Service (VPWS) <p>Apart from packet classification, this feature is available for the following QoS operations:</p> <ul style="list-style-type: none"> • Modular QoS Congestion Avoidance • Configuring Modular QoS Congestion Management • QoS on Link Bundles • Configuring Hierarchical Modular QoS

Packet classification involves categorizing a packet within a specific group (or class) and assigning it a traffic descriptor to make it accessible for QoS handling on the network. The traffic descriptor contains information about the forwarding treatment (quality of service) that the packet should receive. Using packet classification, you can partition network traffic into multiple priority levels or classes of service. The source agrees to adhere to the contracted terms and the network promises a quality of service. Traffic policers and traffic shapers use the traffic descriptor of a packet to ensure adherence to the contract.

Traffic policers and traffic shapers rely on packet classification features, such as IP precedence, to select packets (or traffic flows) traversing a router or interface for different types of QoS service. After you classify packets, you can use other QoS features to assign the appropriate traffic handling policies including congestion management, bandwidth allocation, and delay bounds for each traffic class.

The Modular Quality of Service (QoS) CLI (MQC) defines the traffic flows that must be classified, where each traffic flow is called a class of service, or class. Later, a traffic policy is created and applied to a class. All traffic not identified by defined classes fall into the category of a default class.

You can classify packets at the ingress on L3 subinterfaces for (CoS, DEI) for IPv4, IPv6, and MPLS flows. IPv6 packets are forwarded by paths that are different from those for IPv4. To enable classification of IPv6 packets based on (CoS, DEI) on L3 subinterfaces, run the `hw-module profile qos ipv6 short-l2qos-enable` command and reboot the line card for the command to take effect.

Starting with Cisco IOS XR Release 7.4.1 systems with Cisco NC57 line cards running in native mode support QoS over Layer 2 services for:

- Local switching [xconnect or bridging]

- L2 VPN – VPWS

Traffic Class Elements

The purpose of a traffic class is to classify traffic on your router. Use the **class-map** command to define a traffic class.

A traffic class contains three major elements:

- A name
- A series of **match** commands - to specify various criteria for classifying packets.
- An instruction on how to evaluate these **match** commands (if more than one **match** command exists in the traffic class)

Packets are checked to determine whether they match the criteria that are specified in the **match** commands. If a packet matches the specified criteria, that packet is considered a member of the class and is forwarded according to the QoS specifications set in the traffic policy. Packets that fail to meet any of the matching criteria are classified as members of the default traffic class.

This table shows the details of match types that are supported on the router.

Match Type Supported	Min, Max	Max Entries	Support for Match NOT	Support for Ranges	Direction Supported on Interfaces
IPv4 DSCP IPv6 DSCP DSCP	(0,63)	64	Yes	Yes	Ingress
IPv4 Precedence IPv6 Precedence Precedence	(0,7)	8	Yes	No	Ingress
MPLS Experimental Topmost	(0,7)	8	Yes	No	Ingress
Access-group	Not applicable	8	No	Not applicable	Ingress
QoS-group	(1,7) (1,511) for peering profile	7	No	No	<ul style="list-style-type: none"> • Egress • Ingress for QoS Policy Propagation Using Border Gateway Protocol (QPPB) • Ingress for peering profile
Traffic-class	(1,7)	7	No	No	<ul style="list-style-type: none"> • Egress

Match Type Supported	Min, Max	Max Entries	Support for Match NOT	Support for Ranges	Direction Supported on Interfaces
Protocol	(0,255)	1	Yes	Not applicable	Ingress



Note Egress queue statistics are displayed only for those classes which have a corresponding match criteria in the egress. Therefore, if you have a **set traffic-class x** configured in the ingress, you must have a corresponding **match traffic-class x** in the egress, in order to see the statistics in the egress side.



Note A maximum value of up to 64 unique queues is supported. Each unique queue-limit consumes one rate profile in the Traffic manager. Out of 64 unique queues, 4 are reserved and 60 are usable. So, you can program 60 unique queue-limit in the hardware.

Consider the following points while planning for the policy maps:

You need to be cautious of the unique queue-limit while configuring the egress policy-map. Following are some scenarios that can exhaust the 60 configurable rate-profiles.

- Having different shape rate, without configuring queue limits, could exhaust the rate-profiles as 10ms of GSR converts to different value in bytes based on the shape rate.
- Configuring queue limit in time could exhaust the rate-profiles. For example, 20 ms of 50 Mbps and 20 ms of 100 Mbps are two different values in bytes.



Tip You can avoid exhausting the rate-profile using multiple egress policy-maps. By configuring queue limits in absolute unit (bytes/kbytes/mbytes) and sharing between different policy-maps.

Default Traffic Class

Unclassified traffic (traffic that does not meet the match criteria specified in the traffic classes) is treated as belonging to the default traffic class.

If the user does not configure a default class, packets are still treated as members of the default class. However, by default, the default class has no enabled features. Therefore, packets belonging to a default class with no configured features have no QoS functionality. These packets are then placed into a first in, first out (FIFO) queue and forwarded at a rate determined by the available underlying link bandwidth. This FIFO queue is managed by a congestion avoidance technique called tail drop.

For egress classification, match on **traffic-class (1-7)** is supported. Match **traffic-class 0** cannot be configured. The class-default in the egress policy maps to **traffic-class 0**.

This example shows how to configure a traffic policy for the default class:

```
configure
policy-map ingress_policy1
```

```
class class-default
  police rate percent 30
!
```

Create a Traffic Class

To create a traffic class containing match criteria, use the **class-map** command to specify the traffic class name, and then use the **match** commands in class-map configuration mode, as needed.

Guidelines

- Users can provide multiple values for a match type in a single line of configuration; that is, if the first value does not meet the match criteria, then the next value indicated in the match statement is considered for classification.
- Use the **not** keyword with the **match** command to perform a match based on the values of a field that are not specified.
- All **match** commands specified in this configuration task are considered optional, but you must configure at least one match criterion for a class.
- If you specify **match-any**, one of the match criteria must be met for traffic entering the traffic class to be classified as part of the traffic class. This is the default. If you specify **match-all**, the traffic must match all the match criteria.
- From Release 7.7.1 onwards, for the **match access-group** command, QoS classification based on the packet length field in the IPv4 and IPv6 headers is supported. Prior to this, support was not available for packet length and TTL (time to live) fields.
- Deny action in the ACL or an empty ACL (contains no rules, only remarks) is not supported for the **match access-group command** when an ACL list is used within a **class-map**.
The configuration is rejected when you attach such a **policy-map** to an interface.
- The **traffic-class** and **discard-class** are supported only in egress direction, and these are the only match criteria supported in egress direction.
- The egress default class implicitly matches **qos-group 0** for marking policy and **traffic-class 0** for queuing policy.
- Multicast takes a system path that is different than unicast on router, and they meet later on the egress in a multicast-to-unicast ratio of 20:80 on a per interface basis. This ratio is maintained on the same priority level as that of the traffic.
- Egress QoS for multicast traffic treats traffic classes 0-5 as low-priority and traffic classes 6-7 as high priority. Currently, this is not user-configurable.
- Egress shaping does not take effect for multicast traffic in the high priority (HP) traffic classes. It only applies to unicast traffic.
- If you set a traffic class at the ingress policy and do not have a matching class at egress for the corresponding traffic class value, then the traffic at ingress with this class will not be accounted for in the default class at the egress policy map.
- Only traffic class 0 falls in the default class. A non-zero traffic class assigned on ingress but with no assigned egress queue, falls neither in the default class nor any other class.

Configuration Example

You have to accomplish the following to complete the traffic class configuration:

1. Creating a class map
2. Specifying the match criteria for classifying the packet as a member of that particular class
(For a list of supported match types, see [Traffic Class Elements, on page 4](#).)

```
Router# configure
Router(config)# class-map match-any qos-1
Router(config-cmap)# match qos-group 1
Router(config-cmap)# end-class-map
Router(config-cmap)# commit
```

Use this command to verify the class-map configuration:

```
Router#show class-map qos-1
1) ClassMap: qos-1    Type: qos
   Referenced by 2 Policymaps
```

Also see, [Running Configuration, on page 16](#).

Also see, [Verification, on page 17](#).

Related Topics

- [Traffic Class Elements, on page 4](#)
- [Traffic Policy Elements, on page 12](#)

Associated Commands

- [class-map](#)
- [match access-group](#)
- [match dscp](#)
- [match mpls experimental topmost](#)
- [match precedence](#)
- [match qos-group](#)

QoS Classification Based on Packet Length

Table 2: Feature History Table

Feature Name	Release Information	Feature Description

QoS Classification Based on Packet Length	Release 7.7.1	<p>You can add an ingress QoS policy on an ACL that filters IPv6 and IPv4 packets based on the packet length. The ACL specifies packet length criteria such as equal to, lesser than, greater than, and so on, to filter packets and prevent distributed-denial-of-service (DDoS) attacks. The QoS policy specifies the forwarding decision.</p> <p>The ACL provides an additional QoS match criteria for IP traffic, thereby providing the combined benefit of network security and traffic classification.</p> <p>This feature is supported on the NCS 5500 Series routers and NCS 5700 Series routers on NC57-18DD-SE and NC57-24DD PIDs.</p>
---	---------------	--

An ACL consists of one or more access control entries that collectively define the network traffic profile and describe the access rights related to a particular security identifier or user. This profile can then be referenced by Cisco IOS XR software features such as traffic filtering, route filtering, QoS classification, and access control. For more information on packet classification, see [Packet Classification Overview](#). For more information on creating IP ACLs, see the [Understanding Access Lists](#) section in the [IP Addresses and Services Configuration Guide](#).

Guidelines and Limitations for QoS Classification Based on Packet Length

- Packet-length configurations for IPv6 packets with optional extension headers will be classified under **class-default**.
- Now, the **match access-group** command can define the QoS classification based on the packet length field in the IPv6 and IPv4 headers. The **show policy-map interface** command displays the corresponding configuration information.
- To enable IPv6 traffic classification based on the packet length, configure the **hw-module profile qos ipv6 short-l2qos-enable** command in configuration mode.
- When the packet-length of the IPv6 and IPv4 traffic is considered, the L2 header length is included.

Configure QoS Classification Based on Packet Length

Follow these steps to classify ingress traffic based on the packet length:

- Create an ACL that allows IPv4 traffic with the specified packet length.
- Create QoS class-map and policy-map for ingress IPv4 traffic classification based on its packet length.
- Apply the policy-map on the designated interface.

Configuration Example for QoS Classification Based on Packet Length



Note This example enables traffic filtering for a specific packet length value by using the **packet-length eq** command. Instead of **eq**, you can also use one of these options:

- **gt** to filter packets with a greater value.
- **lt** to filter packets with a lesser value.
- **neq** to filter packets that do not contain the specified value.
- **range** to filter packets in the specified range of values.

```
/* Create an ACL that allows IPv4 traffic with the specified packet length */
```

```
Router# configure
Router(config)# ipv4 access-list aclv4_pktlen
Router(config-ipv4-acl)# 10 permit ipv4 any any packet-length eq 100
Router(config-ipv4-acl)# commit
```

Based on ACL **aclv4_pktlen**, create a QoS policy and apply it on the ingress IPv4 traffic.

```
/* Create QoS class-map and policy-map for ingress IPv4 traffic classification based on its
packet length */
```

```
Router# configure
Router(config)# class-map match-any c_pktlen
Router(config-cmap)# match access-group ipv4 aclv4_pktlen
Router(config-cmap)# end-class-map
Router(config)# policy-map p_pktlen
Router(config-pmap)# class c_pktlen
Router(config-pmap-c)# set traffic-class 2
Router(config-pmap-c)# exit
Router(config-pmap)# class class-default
Router(config-pmap-c)# end-policy-map
Router(config-pmap-c)# commit
Router(config-pmap-c)# root
```

The policy-map **p_pktlen** is associated with interface HundredGigabitEthernet 0/0/0/0.

```
/* Apply the policy-map on the designated Ethernet interface */
```

```
Router(config)# interface hundredGigE 0/0/0/0
Router(config-if)# service-policy input p_pktlen
Router(config-if)# commit
```

Running Configuration

```
/* Running configuration for QoS Match Packet Length */
```

```
Router# show running-configuration
..
..
ipv4 access-list aclv4_pktlen
 10 permit ipv4 any packet-length eq 100

class-map match-any c_pktlen
 match access-group ipv4 aclv4_pktlen
```

```

end-class-map
!
policy-map p_pktlen
class c_pktlen
  set traffic-class 2
!
class class-default
!
end-policy-map
!
interface HundredGigE0/0/0/0
  service-policy input p_pktlen
!

```

Verification

/* This displays the policy information applied in the input direction: */

```
Router# show policy-map interface hundredGigE 0/0/0/0 input
```

```
HundredGigE0/0/0/0 input: p_pktlen
```

```

Class c_pktlen
  Classification statistics          (packets/bytes)      (rate - kbps)
  Matched                          :          53186/54090162      3769
  Transmitted                       :          53186/54090162      3769
  Total Dropped                     :                   0/0                0

Class class-default
  Classification statistics          (packets/bytes)      (rate - kbps)
  Matched                           :                   0/0                0
  Transmitted                       :                   0/0                0
  Total Dropped                     :                   0/0                0

```

```
Policy Bag Stats time: 1657119549887 [Local Time: 07/06/22 14:59:09.887]
```

Increase in QoS Policer Allocation on Cisco NCS 5700 Series Line Cards and Routers

Table 3: Feature History Table

Feature Name	Release Information	Feature Description

Increase in QoS Policer Scale on Cisco NCS 5700 Series Line Cards and Routers	Release 7.10.1	<p>Introduced in this release on NCS 5700 fixed port routers (select variants only*); NCS 5500 modular routers (NCS 5700 line cards [Mode: Native]) (select variants only*)</p> <p>You can now regulate the incoming traffic bursts and manage traffic spikes with the enhanced scale limit of QoS policers for the following fixed port routers and line cards:</p> <ul style="list-style-type: none"> • The Cisco NCS 5700 series fixed port router, NCS-57C3-MOD-SYS, now has an increased scale of 32000 QoS policers, by default • The Cisco NCS 5700 series fixed port router, NCS-57B1-6D24-SYS and the Cisco NC57 line card, NC57-24DD installed and operating in native mode, now have an increased scale of 16000 QoS policers, by default
Increase in QoS Policer Allocation on Cisco NCS 5700 Series Line Cards	Release 7.8.1	<p>NCS 5700 Series routers can now handle a maximum of 64000 QoS policers by reallocating unused BGP Flowspec policer resources to QoS.</p> <p>Before this release, the QoS policer count was limited to 32000. With more QoS policers, you can apply policies on more sub-interfaces.</p> <p>This feature is supported on NC57-18DD-SE and NC57-36H-SE line cards.</p> <p>This feature introduces the following command:</p> <ul style="list-style-type: none"> • <code>hw-module profile qos policer-scale</code>

Traffic policing involves checking the packet rate for a specific classification of flows to determine if it conforms to specified rate settings. The policer is like a gate that allows a certain number of packets (or bytes) through a network, through physical and logical interfaces. Policers are allocated from the SE line card's Forwarding ASIC for different technologies. 32000 policers are allocated for QoS and BGP Flowspec, each.

To accommodate QoS policing on more sub-interfaces, you can increase the QoS policer count to 64000. However, when you allocate more QoS policers, the BGP Flowspec policer count is reduced. For example, when you allocate 48000 policers for QoS, the default BGP Flowspec pool of 32000 is reduced to 16000. If you do not need or have limited use of Flowspec policers, you can enable this feature to increase QoS policers.

Some examples of increase in QoS policer allocation:

- If you allocate 48000 policers with 16 class-maps, then 2999 policers are allocated per core and 5998 policers per NPU.
- If you allocate 64000 policers with 16 class-maps, then 3999 policers are allocated per core and 7998 policers per NPU.

Guidelines and Limitations

- This feature is supported only on Cisco NCS 5700 series SE line cards.

- Enhanced QoS mode does not support more than 32000 policers. So, you cannot use this feature with Enhanced QoS mode configuration, which is enabled using the **hw-module profile stats qos-enhanced** command.
- The QoS policer scale numbers are only applicable when the **hw-module profile mdb l3max-se** or **hw-module profile mdb l2max-se** command is enabled. For more information on hardware MDB profiles, see [NCS5700 MDB Profile](#) in the *NCS 5500 System Setup and Software Installation Guide*.

Configure QoS Policers Pool Size

The following example shows how to allocate 48000 QoS policers:

```
RP/0/RP0/CPU0:router# config
RP/0/RP0/CPU0:router(config)# hw-module profile qos policer-scale 48000
RP/0/RP0/CPU0:router(config)# commit
```



Note After you configure, reload the router to apply the profile. Use the **admin hw-module reload location all** command to reload the router.

Traffic Policy Elements

A traffic policy contains three elements:

- Name
- Traffic class
- QoS policies

After choosing the traffic class that is used to classify traffic to the traffic policy, the user can enter the QoS features to be applied to the classified traffic.

The MQC does not necessarily require that the users associate only one traffic class to one traffic policy.

The order in which classes are configured in a policy map is important. The match rules of the classes are programmed into the TCAM in the order in which the classes are specified in a policy map. Therefore, if a packet can possibly match multiple classes, only the first matching class is returned and the corresponding policy is applied.

The router supports 32 classes per policy-map in the ingress direction and 8 classes per policy-map in the egress direction.

This table shows the supported class-actions on the router.

Supported Action Types	Direction supported on Interfaces
minimum-bandwidth	egress
bandwidth-remaining	egress
mark	(See Packet Marking, on page 19)
police	ingress

Supported Action Types	Direction supported on Interfaces
priority	egress (level 1 to level 7)
queue-limit	egress
shape	egress
wred	egress

WRED supports **default** and **discard-class** options; the only values to be passed to the discard-class being 0 and 1.

Create a Traffic Policy

The purpose of a traffic policy is to configure the QoS features that should be associated with the traffic that has been classified in a user-specified traffic class or classes.



Note Starting from Cisco IOS XR Release 7.6.1, the ingress QoS policy you configure, also applies to all the transit Ethernet Connectivity Fault Management (CFM) packets. With QoS features such as marking and policing now applied on the transit CFM packets, you ensure that these packets don't consume excess bandwidth and other QoS resources in the network.

To configure a traffic class, see [Create a Traffic Class, on page 6](#).

After you define a traffic policy with the **policy-map** command, you can attach it to one, or more interfaces to specify the traffic policy for those interfaces by using the **service-policy** command in interface configuration mode. With dual policy support, you can have two traffic policies, one marking and one queuing attached at the output. See, [Attach a Traffic Policy to an Interface, on page 16](#).

Configuration Example

You have to accomplish the following to complete the traffic policy configuration:

1. Creating a policy map that can be attached to one or more interfaces to specify a service policy
2. Associating the traffic class with the traffic policy
3. Specifying the class-action(s) (see [Traffic Policy Elements, on page 12](#))

```
Router# configure
Router(config)# policy-map test-shape-1
Router(config-pmap)# class qos-1

/* Configure class-action ('shape' in this example).
Repeat as required, to specify other class-actions */
Router(config-pmap-c)# shape average percent 40
Router(config-pmap-c)# exit

/* Repeat class configuration as required, to specify other classes */

Router(config-pmap)# end-policy-map
```

```
Router(config)# commit
```

See, [Running Configuration](#), on page 16.

See, [Verification](#), on page 17.

Related Topics

- [Traffic Policy Elements](#), on page 12
- [Traffic Class Elements](#), on page 4

Associated Commands

- [bandwidth](#)
- [bandwidth remaining](#)
- [class](#)
- [police](#)
- [policy-map](#)
- [priority](#)
- [queue-limit](#)
- [service-policy](#)
- [set discard-class](#)
- [set dscp](#)
- [set mpls experimental](#)
- [set precedence](#)
- [set qos-group](#)
- [shape](#)

Scaling of Unique Ingress Policy Maps

Table 4: Feature History Table

Feature Name	Release Information	Feature Description
Scaling of Unique Ingress Policy Maps	Release 7.4.1	This feature is now supported on routers that have Cisco NC57 line cards installed and operate in native mode.

Feature Name	Release Information	Feature Description
Scaling of Unique Ingress Policy Maps	Release 7.3.1	With this feature, unique policy maps associated to the same template are shared in TCAM, thus enabling scaling of — or creating more number of — policy maps.

Traditionally, when unique policy maps were associated to the same template — that is, having the same match criteria and actions in the *same* order — each map was assigned a different TCAM entry. This resulted in inefficient TCAM entry management and also restricted the number of policy maps that could be created.

With this functionality, unique policy maps associated to the same template are shared in TCAM, thus enabling scaling of—in other words, creating more number of—policy maps. The other way to understand this functionality is that two policy maps with the same combination of criteria and actions use one template. This way, up to 250 templates are supported for association to policy map combinations.

As an example, consider the following policy maps (**policy-map ncs_input1** and **policy-map ncs_input2**) having the same class maps (**class COS7_DEI0** and **class COS7_DEI1**):

```
class-map match-all COS7_DEI0
  match cos 0
  end-class-map
class-map match-all COS7_DEI1
  match cos 1
  end-class-map

policy-map ncs_input1
  class COS7_DEI0
    set traffic class 1
    police rate 10 mbps
  !
  class COS7_DEI1
    set traffic class 2
    policer rate 20 mbps
  !

policy-map ncs_input2
  class COS7_DEI0
    set traffic class 1
    police rate 30 mbps
  !
  class COS7_DEI1
    set traffic class 2
    policer rate 40 mbps
  !
```

Earlier, when the policy maps were attached to interface, they used different TCAM entries, although the match criteria and actions were the same, except for the policer action.

With this functionality, both policy maps share the TCAM entry instead of selecting different entries, thus freeing up TCAM entries for more policy maps.

Limitations and Restrictions

- Policy Maps share TCAM entries only for the same match criteria and actions or template. However, the policer action can be different for the same template.

- For all unique policy maps the maximum number of templates supported is 250.

Attach a Traffic Policy to an Interface

After the traffic class and the traffic policy are created, you must attach the traffic policy to interface, and specify the direction in which the policy should be applied.



Note When a policy-map is applied to an interface, the transmission rate counter of each class is not accurate. This is because the transmission rate counter is calculated based on the exponential decay filter.

Configuration Example

You have to accomplish the following to attach a traffic policy to an interface:

1. Creating a traffic class and the associated rules that match packets to the class (see [#unique_28](#))
2. Creating a traffic policy that can be attached to one or more interfaces to specify a service policy (see [Create a Traffic Policy, on page 13](#))
3. Associating the traffic class with the traffic policy
4. Attaching the traffic policy to an interface, in the ingress or egress direction

```
Router# configure
Router(config)# interface HundredGigE 0/6/0/18
Router(config-int)# service-policy output test-shape-1
Router(config-int)# commit
```

Running Configuration

```
/* Class-map configuration */
class-map match-any traffic-class-1
  match traffic-class 1
end-class-map
!
- - -
- - -

/* Traffic policy configuration */
policy-map test-shape-1
  class traffic-class-1
    shape average percent 40
  !
  class class-default
  !
end-policy-map
!
- - -
- - -

/* Attaching traffic policy to an interface in egress direction */
interface HundredGigE0/6/0/18
  service-policy output test-shape-1
```


!

Verification

Router# **show qos interface hundredGigE 0/6/0/18 output**

```
NOTE:- Configured values are displayed within parentheses Interface HundredGigE0/6/0/18 ifh
0x30001f8 -- output policy
NPU Id: 3
Total number of classes: 2
Interface Bandwidth: 100000000 kbps
VOQ Base: 11112
VOQ Stats Handle: 0x88430698
Accounting Type: Layer1 (Include Layer 1 encapsulation and above)
-----
Level1 Class = qos-1
Egressq Queue ID = 11113 (LP queue)
Queue Max. BW. = 40329846 kbps (40 %)
Queue Min. BW. = 0 kbps (default)
Inverse Weight / Weight = 1 / (BWR not configured)
Guaranteed service rate = 40000000 kbps
TailDrop Threshold = 50069504 bytes / 10 ms (default)
WRED not configured for this class

Level1 Class = class-default
Egressq Queue ID = 11112 (Default LP queue)
Queue Max. BW. = 101803495 kbps (default)
Queue Min. BW. = 0 kbps (default)
Inverse Weight / Weight = 1 / (BWR not configured)
Guaranteed service rate = 50000000 kbps
TailDrop Threshold = 62652416 bytes / 10 ms (default)
WRED not configured for this class
```

Related Topics

- [Traffic Policy Elements, on page 12](#)
- [Traffic Class Elements, on page 4](#)

Associated Commands

- [service-policy](#)

Configure Maximum Number of Class-Maps per Ingress QoS Traffic Policy

Table 5: Feature History Table

Feature Name	Release Information	Feature Description
--------------	---------------------	---------------------

Flexibility to Set a Maximum of One Class Map per Ingress QoS Traffic Policy	Release 7.10.1	<p>Introduced in this release on NCS 5700 fixed port routers; NCS 5500 modular routers (NCS 5700 line cards [Mode: Native])</p> <p>You can now set a maximum of one class map per ingress QoS traffic policy. In earlier releases, the allowed values for maximum number of class maps per ingress traffic policy were 2, 4, 8, 16, and 32.</p> <p>With fewer class maps per traffic policy, the NPU resources required for packet matching are lower. And so this allows you to configure ingress traffic policies on more interfaces of the router.</p> <p>This feature modifies the hw-module profile qos max-classmap-size command to accept the value of 1 for max-classmap-size.</p>
Flexibility to Set a Maximum of Two Class Maps per Ingress QoS Traffic Policy	Release 7.9.1	<p>Introduced in this release on NCS 5700 fixed port routers; NCS 5500 modular routers(NCS 5700 line cards [Mode: Native])</p> <p>You can now set a maximum of two class maps per ingress QoS traffic policy. In earlier releases, the allowed values for maximum number of class maps per ingress traffic policy were 4, 8, 16, and 32.</p> <p>With fewer class maps per traffic policy, the NPU resources required for packet matching are lower. And so this allows you to configure ingress traffic policies on more interfaces of the router.</p> <p>This feature modifies the hw-module profile qos max-classmap-size command to accept the value of 2 for max-classmap-size.</p>

When you apply a traffic policy to an interface, NPU resources get allocated. This resource allocation is dependent on the maximum number of class-maps per traffic policy. By default, the maximum number of class-maps per ingress traffic policy is 32. Configure the maximum number of class-maps per ingress traffic policy to a lower value to apply ingress traffic policies on more interfaces of the router.

To set the maximum number of class maps per ingress QoS traffic policy, use the **hw-module profile qos max-classmap-size** *maximum-class-maps-per-policy* command.

Configure Maximum Number of Class Maps per Ingress QoS Traffic Policy

The following example shows how to change the maximum permitted number of class-maps per ingress traffic policy to 16.

```
Router#config
Router(config)#hw-module profile qos max-classmap-size 16
Router(config)#commit
Router(config)#exit
Router# reload
```



Note After the configuration, reload the router for the command to take effect.

Running Configuration

```
Router#show running-configuration | include hw-module
hw-module profile qos max-classmap-size 16
```

Packet Marking



Note L2 packet marking is not supported on NC57-24DD and NC57-18DD-SE line cards for Cisco IOS XR Release 7.0.2.

The packet marking feature provides users with a means to differentiate packets based on the designated markings. The router supports egress packet marking. match on **discard-class** on egress, if configured, can be used for a marking policy only.

The router also supports L2 ingress marking.

For ingress marking:

Ingress traffic— For the ingress pop operation, re-marking the customer VLAN tag (CoS, DEI) is not supported.

Egress traffic— The ingress ‘pop VLAN’ is translated to a ‘push VLAN’ for the egress traffic, and (CoS, DEI) marking is supported for newly pushed VLAN tags. If two VLAN tags are pushed to the packet header at the egress side, both inner and outer VLAN tags are marked. For example:

1. rewrite ingress tag pop 1 symmetric
2. rewrite ingress tag pop 2 symmetric
3. rewrite ingress tag translate 2-to-1 dot1q/dot1ad <> symmetric

In case of pop action, the outer VLAN tag (CoS, DEI) is retained on NC57 line cards.

Single tag— When symmetrical pop 1 action is performed, the outer tag (CoS, DEI) is retained as the original frame.

Double tag— When symmetrical pop 2 action is performed, the outer tag (CoS, DEI) is retained as the original frame and inner tag (CoS, DEI) is set to 0/0.

Packet Marking Guidelines and Limitations

- While marking a packet, ensure you don’t set the IP DSCP (using the **set dscp** command) and the MPLS experimental imposition values (using the **set mpls experimental imposition** command) for the same class map. Else, neither the DSCP remarking nor the MPLS EXP values may take effect at the ingress. This will cause, per default QoS behavior, the IP precedence values to be copied to the EXP bits on the imposed packets. Such an action could lead to unintended packets marked as high-priority by your customer being forwarded as high-priority MPLS packets in the network.
- The statistics and counters for the egress marking policy cannot be viewed on the router.
- QoS EXP matching for egress doesn’t work for Layer 2 VPN and Layer 3 VPN traffic flowing from:
 - Cisco NCS 5700 series line cards at ingress to Cisco NCS 5500 series line cards at the egressand
 - from Cisco NCS 5500 series line cards at ingress to Cisco NCS 5700 series line cards at egress.
- For QOS EXP-Egress marking applied on a Layer 3 interface on Cisco NCS550x and NCS55Ax routers, there is a limit of two unique policy maps per NPU. This limit is three unique policy maps per NPU for routers that have the Cisco NC57 line cards installed.

You can apply these policies to as many interfaces as your system resources allow. However, if you apply more than the permitted limit of unique policies, you may encounter unexpected failure.

- For QoS egress marking (CoS, DEI) applied on a Layer 2 interface, there is a limit of 13 unique policy-maps per NPU. If you exceed this number, you may encounter unexpected failure.

Supported Packet Marking Operations

This table shows the supported packet marking operations.

Supported Mark Types	Range	Support for Unconditional Marking	Support for Conditional Marking
set dscp	0-63	ingress	No
set QoS-group	0-7	ingress	No
set traffic-class	0-7	ingress	No

Class-based Unconditional Packet Marking

Table 6: Feature History Table

Feature Name	Release Information	Feature Description
Class-based Unconditional Packet Marking	Release 7.4.1	This feature is now supported on routers that have Cisco NC57 line cards installed and operate in native and compatibility modes.

The packet marking feature allows you to partition your network into multiple priority levels or classes of service, as follows:

- Use QoS unconditional packet marking to set the IP precedence or IP DSCP values for packets entering the network. Routers within your network can then use the newly marked IP precedence values to determine how the traffic should be treated.

On ingress direction, after matching the traffic based on either the IP Precedence or DSCP value, you can set it to a particular discard-class. Weighted random early detection (WRED), a congestion avoidance technique, thereby uses discard-class values to determine the probability that a packet is dropped.

If however, you set a discard-class of 3, the packet is dropped at ingress itself.

- Use QoS unconditional packet marking to assign MPLS packets to a QoS group. The router uses the QoS group to determine how to prioritize packets for transmission. To set the traffic class identifier on MPLS packets, use the **set traffic-class** command in policy map class configuration mode.



Note Setting the traffic class identifier does not automatically prioritize the packets for transmission. You must first configure an egress policy that uses the traffic class.



-
- Note**
- Unless otherwise indicated, the class-based unconditional packet marking for Layer 3 physical interfaces applies to bundle interfaces.
-
- From IOS XR Release 7.2.1 onwards with NC57 line cards, propagation of PREC->COS marking happens by default on egress Layer 3 subinterfaces. This applies to single and double-tag L3 subinterfaces, and to NC57 line cards in Native mode.

Handling QoS for Locally Originated Packets

Packets that are generated and transmitted by a router are called Locally Originated Packets (LOPs). These are different from packets that pass through the router. Each device uses a default precedence value as determined by the device. The default value, used by Locally Originated Control Protocols (LOCPs) such as BGP, OSPF, CCM(CSM), and RSVP, is a precedence of 6 or Differentiated Services Codepoint (DSCP) of 48. Locally Originated Management Protocols (LOMPs) such as Telnet and SSH use a precedence value of 2 or DSCP of 16. SNMP uses a precedence value of 0. Some protocols such as BGP, RSVP, CFM, and LDP and the management protocols are capable of setting a specific precedence or DSCP value.



-
- Note** Bidirectional Forwarding Detection (BFD) uses a DSCP value of 48 (CS6) for single- and multi-hops sessions on NCS55xx.
-

The following applies to Traffic Class (TC) alignment:

- Before Release 7.6.1:
 - Locally generated control plane packets, such as IS-IS and BGP, are generated using traffic-class 6.
 - Locally generated BFD over Bundle (IETF) packets, which are generated on the Network Processing Unit (NPU), are generated using traffic-class 6.
- From Release 7.6.1 onwards:
 - Locally generated control plane packets, such as IS-IS and BGP, are generated using traffic-class 7.
 - Locally generated BFD over Bundle (IETF) packets, which are generated on the Network Processing Unit (NPU), are generated using traffic-class 7.
- When the BFD packets are offloaded to the hardware and generated on the NPU, the egress QoS policies are applied. These packets are classified along with the regular data plane traffic.

On the router, datapath packets and injected packets aren't differentiated if both their traffic classes share the same Virtual Output Queues (VOQs). Therefore, in the case of a congested VOQ, the LOCP packets are dropped. To avoid the LOCP packets drop, Cisco recommends that you have a different traffic class for data path traffic. Alternatively, you can also specify a higher bandwidth for traffic-class 7 (if ingress traffic rate is predictable).

Classifying traffic helps the router to recognize traffic as a certain type and mark that traffic. By marking traffic early on its travel, you can prevent excessive reclassification later. You can mark traffic at the protocol level as shown in the following examples:

Ethernet

The following configuration shows that the outbound Control Hub packets are marked with a precedence value of 2 and EXP of 2, instead of a precedence and EXP value of 6. The SSH packets have a precedence value of 3 instead of 2.

```

ethernet cfm
  mep domain FOO service FOOBAR mep-id 1
  cos 2
ssh server dscp 24

```

BGP

```
neighbor x.x.x.x dscp
```

MPLS LDP

```
mpls ldp signalling dscp
```

Telnet

```
telnet ipv4 dscp
```

SNMP

```
snmp-server ipv4 precedence/dscp
```

Syslog

```

logging ipv4 precedence/dscp
netflow
flow exporter-map TEST dscp

```

NTP

```

ntp ipv4 precedence/dscp
ssh client dscp 56
ssh server dscp 56

```



Note By default, the router marks the Precision Time Protocol (PTP) traffic as high priority. Therefore, the need to prioritize PTP traffic in the QoS configuration is not required.

All LOCPs originating on the RP or LC CPU have the discard priority set in the appended Buffer Header (BHDR). The discard priority ensures that the LOCPs are not dropped internally (under normal circumstances). Such LOCPs include non-IP (IS-IS and ARP) based control packets. The discard priority is not set for LOMPs. Therefore, such packets are treated as normal traffic, both in terms of classification and re-marking, and may be dropped under congestion conditions. Therefore, you must ensure that you do not inadvertently re-mark and drop such traffic.



Note By default, all LOCPs are assigned to traffic-class 7. Considering that LOCPs and LOMPs are generated by the RP, an Ingress QoS policy cannot be applied. Therefore, you must ensure that the egress QoS policy includes a class-map which matches traffic-class 7. By definition, the egress QoS policy matches all implicitly marked packets.

LOCPs are not subject to traffic policing, Weighted Random Early Detection (WRED), or Tail-drop queue-limit operation. The LOCP packets are not subject to WRED, even if the **max_th** value is being met. The tail-drop queue-limit must be hit before the LOCP packets are dropped.

All LOCPs with the discard priority set are by default put into an implicitly allocated high priority queue of each physical egress interface.

By default, all LOCPs that have the discard priority set are put into an implicitly allocated high priority queue of each physical egress interface.

When configuring QoS policies, you may attach a policy to the physical interface, which then references the sub-interfaces. Or, alternatively, you may attach QoS policies to the sub-interfaces directly. If you attach QoS policies to the sub-interfaces directly, the operator is prevented from attaching a QoS policy to the physical interface. LOCPs, including those being transmitted on a sub-interface, are always sent out on the default high-priority queue of the physical interface. The operator is therefore prevented from assigning any bandwidth to the physical interface, which could be reserved for use by LOCPs. During over-subscription, it may lead to a LOCPs drop and as a result, sessions may be terminated.

To prevent session termination, a minimum bandwidth of MIN (1% of interface BW, 10 mbps) is reserved for the default high-priority queue associated with the physical interface that has no QoS policy applied. If a QoS policy is applied to the physical interface, the minimum bandwidth for the default HP queue is controlled by the configured policy.

- Any QoS classification does not affect the queue-selection for LOCP.
- Irrespective of the QoS policy configured, non-IP LOP control packets are always sent to the high-priority queue. For example, ISIS and ARP

LOCPs can be mapped to a corresponding QoS group. The following example illustrates how this can be achieved:

```
control-plane
! local control-packets
copy precedence qos-group
```

The precedence value of the control packet is mapped to the respective QoS group number.

Protecting Locally Originated BFD Packets

For releases before Release 7.6.1, BFD packets are injected into traffic-class 6, with drop priority 0 (equivalent of discard-class 0). If transit traffic is also classified into traffic-class 7 and the associated egress queue is congested, BFD packets may be dropped.

From Release 7.6.1, BFD packets are injected into traffic-class 7, with drop priority 0 (equivalent of discard-class 0). If transit traffic is also classified into traffic-class 7 and the associated egress queue is congested, BFD packets may be dropped.

The recommendation is to configure transit traffic-class 7 in the ingress QoS policy with discard-class 1 or 2. You must then configure WRED in the egress QoS policy that drops these packets before dropping discard-class 0.



Note The default queue length is 16 ms.

Example

```

class-map match-any NC
  match traffic-class 6 (for releases before Release 7.6.1)
  match traffic-class 7 (from Release 7.6.1)
!
policy-map CORE-OUT
  class NC
    random-detect discard-class 1 7 ms 8 ms

```

Hardware Programming

```

RP/0/RP0/CPU0:R26-Spine2-5508#sh qos interface hu0/0/0/35 output
NOTE:- Configured values are displayed within parentheses
Interface HundredGigE0/0/0/35 ifh 0x1408 -- output policy
NPU Id:                               5
Total number of classes:                2
Interface Bandwidth:                    100000000 kbps
Policy Name:                            7 wred-out
SPI Id:                                 0x0
VOQ Base:                               1592
Accounting Type:                        Layer1 (Include Layer 1 encapsulation and above)
-----
Level1 Class                            = NC
Egressq Queue ID                        = 1598 (LP queue)
Queue Max. BW.                          = 20480000 kbps (20 %)
Queue Min. BW.                          = 0 kbps (default)
Inverse Weight / Weight                  = 1 / (BWR not configured)
Guaranteed service rate                  = 20000000 kbps
Peak burst                               = 33600 bytes (default)
TailDrop Threshold                       = 40108032 bytes / 16 ms (default)

WRED profile for Discard_Class 1
WRED Min. Threshold                      = 17563648 bytes (7 ms)
WRED Max. Threshold                      = 20054016 bytes (8 ms)

Default RED profile
WRED Min. Threshold                      = 0 bytes (0 ms)
WRED Max. Threshold                      = 0 bytes (0 ms)

WRED ECN                                 = Disabled

```

Prioritization of IS-IS and ARP Packets to Manage Transit Traffic

Table 7: Feature History Table

Feature Name	Release Information	Feature Description
Prioritization of IS-IS and ARP Packets to Manage Transit Traffic	Release 7.5.1	<p>This feature gives you the option to assign the highest priority to IS-IS and Address Resolution Protocol (ARP) packets in transit. This feature is disabled by default.</p> <p>The feature provides more flexibility in transit traffic management on a per-hop basis and also fine-tunes the traffic profile management for transit traffic.</p> <p>This feature introduces the hw-module profile qos arp-isis-priority-enable command.</p>

Overview of IS-IS and ARP Traffic Prioritization

Transit traffic refers to all traffic that enters an ingress interface, is compared against the forwarding table entries, and forwarded out an egress interface toward its destination. While the exact path of the transit path may not be of interest to the sender or receiver, you may still want some of the Integrated Intermediate System-to-Intermediate System (IS-IS) and Address Resolution Protocol (ARP) transit traffic to be managed and routed efficiently between specific source and destination addresses. You can now achieve higher levels of flexibility and fine-tune the traffic profile management for transit traffic by enabling the ability to assign the highest priority level to IS-IS and ARP traffic on Layer 2 networks.

This feature is useful if you manage environments such as data centers where you have complete end-to-end control over your network, and you want to avoid any drops in IS-IS and ARP traffic during congestion.

Cisco IOS XR Release 7.5.1 introduces the **hw-module profile qos arp-isis-priority-enable** command to enable prioritization of IS-IS and ARP traffic in transit on Layer 2 networks. Configuring this command assigns a priority level of TC 7 to transit traffic.



Note Assigning highest priority levels to IS-IS and ARP traffic lead to higher volumes of ARP traffic and flood high-priority queues, which may cause other traffic to drop. It's best to assign priority levels based on your network configuration and traffic volume.

Guidelines

- This feature is disabled by default. Configure the **hw-module profile qos arp-isis-priority-enable** command to enable prioritization of IS-IS and ARP traffic in transit on Layer 2 networks.
- This feature is supported on routers that have the Cisco NC57 line cards installed and operate in the native and compatibility mode.
- Configuring **hw-module profile qos arp-isis-priority-enable** assigns a priority level of TC 7 for ISIS and ARP traffic. When this feature is in its default state of disabled, the default priority level is TC 0.
- This feature doesn't allow you to assign TC values.
- Reload the line card for the **hw-module** command to be functional.

Enabling IS-IS and ARP Traffic Prioritization

To enable IS-IS and ARP traffic prioritization, configure the **hw-module profile qos arp-isis-priority-enable** command.

```
Router#config
Router(config)#hw-module profile qos arp-isis-priority-enable
Router(config)#commit
Router(config)#exit
Router# reload location <lc location>
```

Prioritization is based on IS-IS destination MAC address (01:80:c2:00:00:14 and 01:80:c2:00:00:15) and ARP ether type 0x080. When you configure the **hw-module profile qos arp-isis-priority-enable** command, priority level for IS-IS and ARP and traffic is set as TC 7.

Verification

The following example shows the verification command for NC 57 line cards. The assigned priority level is **TC 07**.

```
RP/0/RP0/CPU0:ios#show controllers fia diag 0 "pp vis pkttm" location 0/0/CPU0
```

```
Node ID: 0/0/CPU0
```

```
R/S/I: 0/0/0
```

```
=====
```

Packet TM Information Core=0 Results			
Name	Value	Size	
		(bits)	
Fwd_Action_Destination	0c353e	21	
type	PORT_ID	6	
value	353e	15	
Tc	07	3	
Dp	00	2	
Int_Stat_Meter_Dp_Cmd	00	4	
Lag_Lb_Key	1772	16	
St_Vsq_Ptr	00	8	
Visibility	01	1	
System-Headers_Size	28	7	
NWK_Header_Truncate_Size	00	8	
NWK_Header_Append_Size_Ptr	02	8	
Counter_ID_0	N/A	0	
Counter_ID_1	N/A	0	
Counter_ID_2	N/A	0	
Counter_ID_3	N/A	0	
Counter_ID_4	N/A	0	
Counter_ID_5	N/A	0	
Counter_ID_6	N/A	0	
Counter_ID_7	00a000	20	
Counter_ID_8	N/A	0	
Counter_ID_9	N/A	0	
Meter_ID_0	N/A	0	
Meter_ID_1	N/A	0	
Meter_ID_2	N/A	0	
Ethernet_Meter_ID	02	3	
snif0_cmd	00	5	
snif0_code	0009	9	
snif0_qualifier	00	8	
snif1_cmd	00	5	
snif1_code	01e0	9	
snif1_qualifier	00	8	
snif2_cmd	00	5	
snif2_code	0000	9	
snif2_qualifier	00	8	

```
=====
```

QoS Re-marking of IP Packets in Egress Direction

The router support the marking of IP DSCP bits of all IP packets to zero, in the egress direction. This feature helps to re-mark the priority of IP packets, which is mostly used in scenarios like IP over Ethernet over MPLS over GRE. This functionality is achieved using the ingress policy-map with **set dscp 0** option configured in class-default.

Configuration Example

```
Router# configure
Router(config)# policy-map ingress-set-dscp-zero-policy
Router(config-pmap)# class class-default
```

```
Router(config-pmap-c)# set dscp 0
Router(config-pmap-c)# end-policy-map
Router(config-pmap)# commit
```

Running Configuration

```
policy-map ingress-set-dscp-zero-policy
class class-default
  set dscp 0
!
end-policy-map
!
```

QoS Re-marking of Ethernet Packets in Egress Direction

The router supports Layer 2 marking of Ethernet packets in the egress direction.

QoS L2 Re-marking of Ethernet Packets in Egress Direction

The router supports Layer 2 marking of Ethernet packets in the egress direction.

To enable this feature, you must:

- Configure the policy maps for queuing and marking at the egress interface.
- Set traffic-class in the ingress and use **match traffic-class** in the egress for queuing.
- Ensure that the **set qos-group** command is configured in ingress policy and the corresponding **match qos-group** command is configured in the egress marking policy. If there is no corresponding QoS group, you will experience traffic failure.

The ingress ‘push VLAN’ is translated to ‘pop VLAN’ for the egress traffic. In this case, (CoS, DEI) re-marking is not supported for the VLAN tag. For example:

1. rewrite ingress tag push dot1q/dot1ad <> symmetric
2. rewrite ingress tag push dot1q/dot1ad <> second-dot1q <> symmetric
3. rewrite ingress tag translate 1-to-2 dot1q/dot1ad <> second-dot1q <> symmetric

Running Configuration

```
policy-map egress-marking
class qos1
  set cos 1
!
class qos2
  set cos 2
  set dei 1
!
class qos3
  set cos 3
!
class class-default
  set cos 7
!
```

```
end-policy-map
!
```

QoS L2 Re-Marking of Ethernet Packets on L3 Flows in Egress Direction

The router supports Layer 2 marking of Ethernet packets on Layer 3 flows in the egress direction.

To enable this feature, you must:

- Configure the policy maps for marking at the egress interface.
- Ensure that the **set qos-group** command is configured in ingress policy and the corresponding **match qos-group** command is configured in the egress marking policy. If there is no corresponding QoS group, you will experience traffic failure.

Restrictions

The following restrictions apply while configuring the Layer 2 marking of Ethernet packets on Layer 3 flows in the egress direction.

- **set discard-class** is not supported in ingress policy with peering mode.
- Egress marking statistics are not available.
- Layer 2 (802.1p) Egress marking is supported on Layer 3 flows for these types of traffic: IP-to-IP, IP-to-MPLS, and MPLS-to-IP traffic.
- Layer 2 marking of Ethernet packets on Layer 3 flows in the egress direction is supported only in the peering mode.

Running Configuration

Ingress Policy:

You must first set up the qos-group at ingress.

```
class-map match-any Class0
  match mpls experimental topmost 0
  match precedence routine
  match dscp 0-7
end-class-map
class-map match-any Class1
  match mpls experimental topmost 1
  match precedence priority
  match dscp 8-15
end-class-map
class-map match-any Class2
  match mpls experimental topmost 2
  match precedence immediate
  match dscp 16-23
end-class-map
class-map match-any Class3
  match mpls experimental topmost 3
  match precedence flash
  match dscp 24-31
end-class-map
class-map match-any Class4
  match mpls experimental topmost 4
  match precedence flash-override
  match dscp 32-39
```

```

end-class-map
class-map match-any Class5
  match mpls experimental topmost 5
  match precedence critical
  match dscp 40-47
end-class-map
class-map match-any Class6
  match mpls experimental topmost 6
  match precedence internet
  match dscp 48-55
end-class-map
class-map match-any Class7
  match mpls experimental topmost 7
  match precedence network
  match dscp 56-63
end-class-map
!

policy-map ncs_input
  class Class7
    set traffic-class 7
    set mpls experimental imposition 7
    set qos-group 7
  !
  class Class6
    set traffic-class 6
    set mpls experimental imposition 6
    set qos-group 6
  !
  class Class5
    set traffic-class 5
    set mpls experimental imposition 5
    set qos-group 5
  !
  class Class4
    set traffic-class 4
    set mpls experimental imposition 4
    set qos-group 4
  !
  class Class3
    set traffic-class 4
    set mpls experimental imposition 3
    set qos-group 3
  !
  class Class2
    set traffic-class 2
    set mpls experimental imposition 2
    set qos-group 2
  !
  class Class1
    set traffic-class 2
    set mpls experimental imposition 1
    set qos-group 1
  !
  class Class0
    set traffic-class 0
    set mpls experimental imposition 0
    set qos-group 0
  !
end-policy-map
!
```

Egress Policy:

At the egress, run these commands to mark the packets.

```
class-map match-any qos7
match qos-group 7
end-class-map
!
class-map match-any qos6
match qos-group 6
end-class-map
!
class-map match-any qos5
match qos-group 5
end-class-map
!
class-map match-any qos4
match qos-group 4
end-class-map
!
class-map match-any qos3
match qos-group 3
end-class-map
!
class-map match-any qos2
match qos-group 2
end-class-map
!
class-map match-any qos1
match qos-group 1
end-class-map
!

policy-map ncs_output
class qos7
set cos 7
set dei 1
!
class qos6
set cos 6
set dei 1
!
class qos5
set cos 5
set dei 1
!
class qos4
set cos 4
set dei 1
!
class qos3
set cos 3
set dei 1
!
class qos2
set cos 2
set dei 1
!
class qos1
set cos 1
set dei 1
!
end-policy-map
!
```

QoS L2 Re-Marking of Ethernet Packets on L3 Flows in Egress Direction on L3 sub-interfaces

Table 8: Feature History Table

Feature Name	Release Information	Feature Description
Cisco NC57 Native Mode: 802.1p marking	Release 7.4.1	This feature is now supported on routers that have the Cisco NC57 line cards installed and operate in the native mode.

The router supports Layer 2 marking of Ethernet packets on Layer 3 flows in the egress direction on L3 subinterfaces.

To enable this feature, you must:

- Configure the policy maps for marking at the egress interface.
- Ensure that the **set qos-group** command is configured in ingress policy and the corresponding **match qos-group** command is configured in the egress marking policy. If there is no corresponding QoS group, you experience traffic failure.

Restrictions

The following restrictions apply while configuring the Layer 2 marking of Ethernet packets on Layer 3 flows in the egress direction.

- **set discard-class** is not supported in ingress policy with peering mode.
- Egress marking statistics are not available.
- Layer 2 (CoS, DEI) Egress marking is supported on Layer 3 flows on L3 subinterfaces for these types of traffic: IP-to-IP, IP-to-MPLS, and MPLS-to-IP traffic.

Running Configuration

Ingress Policy:

You must first set up the qos-group at ingress. This is applicable only when you want to mark packets at the egress.

```
class-map match-all COS0_DEI0
  match cos 0
  match dei 0
end-class-map
class-map match-all COS0_DEI1
  match cos 0
  match dei 1
end-class-map
class-map match-all COS1_DEI0
  match cos 1
  match dei 0
end-class-map
class-map match-all COS1_DEI1
  match cos 1
  match dei 1
end-class-map
class-map match-all COS2_DEI0
```

```

    match cos 2
    match dei 0
  end-class-map
class-map match-all COS2_DEI1
  match cos 2
  match dei 1
  end-class-map
class-map match-all COS3_DEI0
  match cos 3
  match dei 0
  end-class-map
class-map match-all COS3_DEI1
  match cos 3
  match dei 1
  end-class-map
class-map match-all COS4_DEI0
  match cos 4
  match dei 0
  end-class-map
class-map match-all COS4_DEI1
  match cos 4
  match dei 1
  end-class-map
class-map match-all COS5_DEI0
  match cos 5
  match dei 0
  end-class-map
class-map match-all COS5_DEI1
  match cos 5
  match dei 1
  end-class-map
class-map match-all COS6_DEI0
  match cos 6
  match dei 0
  end-class-map
class-map match-all COS6_DEI1
  match cos 6
  match dei 1
  end-class-map
class-map match-all COS7_DEI0
  match cos 7
  match dei 0
  end-class-map
class-map match-all COS7_DEI1
  match cos 7
  match dei 1
  end-class-map

policy-map ncs_input
  class COS7_DEI0
    set qos-group 7
    set discard-class 0
  !
  class COS7_DEI1
    set qos-group 7
    set discard-class 1
  !
  class COS6_DEI0
    set qos-group 6
    set discard-class 0
  !
  class COS6_DEI1
    set qos-group 6
    set discard-class 1

```



```

!
class COS5_DEI0
  set qos-group 5
  set discard-class 0
!
class COS5_DEI1
  set qos-group 5
  set discard-class 1
!
class COS4_DEI0
  set qos-group 4
  set discard-class 0
!
class COS4_DEI1
  set qos-group 4
  set discard-class 1
!
class COS3_DEI0
  set qos-group 3
  set discard-class 0
!
class COS3_DEI1
  set qos-group 3
  set discard-class 1
!
class COS2_DEI0
  set qos-group 2
  set discard-class 0
!
class COS2_DEI1
  set qos-group 2
  set discard-class 1
!
class COS1_DEI0
  set qos-group 1
  set discard-class 0
!
class COS1_DEI1
  set qos-group 1
  set discard-class 1
!
class COS0_DEI0
  set qos-group 0
  set discard-class 0
!
class COS0_DEI1
  set qos-group 0
  set discard-class 1
!

```

Egress Policy:

At the egress, run these commands to mark the packets.

```

class-map match-all qos7_dc0
match qos-group 7
match discard-class 0
end-class-map
!
class-map match-all qos7_dc1
match qos-group 7
match discard-class 1
end-class-map
!

```

```
class-map match-all qos6_dc0
match qos-group 6
match discard-class 0
end-class-map
!
class-map match-all qos6_dc1
match qos-group 6
match discard-class 1
end-class-map
!
class-map match-all qos5_dc0
match qos-group 5
match discard-class 0
end-class-map
!
class-map match-all qos5_dc1
match qos-group 5
match discard-class 1
end-class-map
!
class-map match-all qos4_dc0
match qos-group 4
match discard-class 0
end-class-map
!
class-map match-all qos4_dc1
match qos-group 4
match discard-class 1
end-class-map
!
class-map match-all qos3_dc0
match qos-group 3
match discard-class 0
end-class-map
!
class-map match-all qos3_dc1
match qos-group 3
match discard-class 1
end-class-map
!
class-map match-all qos2_dc0
match qos-group 2
match discard-class 0
end-class-map
!
class-map match-all qos2_dc1
match qos-group 2
match discard-class 1
end-class-map
!
class-map match-all qos1_dc0
match qos-group 1
match discard-class 0
end-class-map
!
class-map match-all qos1_dc1
match qos-group 1
match discard-class 1
end-class-map
!
class-map match-all qos0_dc0
match qos-group 0
match discard-class 0
end-class-map
```

```
!  
class-map match-all qos0_dc1  
match qos-group 0  
match discard-class 1  
end-class-map  
!  
  
policy-map ncs_output  
class qos7_dc0  
set cos 7  
set dei 0  
set mpls experimental imposition 7  
!  
class qos7_dc1  
set cos 7  
set dei 1  
set mpls experimental imposition 7  
!  
class qos6_dc0  
set cos 6  
set dei 0  
set mpls experimental imposition 6  
!  
class qos6_dc1  
set cos 6  
set dei 1  
set mpls experimental imposition 6  
!  
class qos5_dc0  
set cos 5  
set dei 0  
set mpls experimental imposition 5  
!  
class qos5_dc1  
set cos 5  
set dei 1  
set mpls experimental imposition 5  
!  
class qos4_dc0  
set cos 4  
set dei 0  
set mpls experimental imposition 4  
!  
class qos4_dc1  
set cos 4  
set dei 1  
set mpls experimental imposition 4  
!  
class qos3_dc0  
set cos 3  
set dei 0  
set mpls experimental imposition 3  
!  
class qos3_dc1  
set cos 3  
set dei 1  
set mpls experimental imposition 3  
!  
class qos2_dc0  
set cos 2  
set dei 0  
set mpls experimental imposition 2  
!
```

```

class qos2_dc1
  set cos 2
  set dei 1
  set mpls experimental imposition 2
!
class qos1_dc0
  set cos 1
  set dei 0
  set mpls experimental imposition 1
!
class qos1_dc1
  set cos 1
  set dei 1
  set mpls experimental imposition 1
!
class qos0_dc0
  set cos 0
  set dei 0
  set mpls experimental imposition 0
!
class qos0_dc1
  set cos 0
  set dei 1
  set mpls experimental imposition 0
!
end-policy-map
!

```

Layer 2 Ingress QoS Matching for IPv4 and IPv6 Destination Addresses

Table 9: Feature History Table

Feature Name	Release Information	Feature Description
Layer 2 Ingress QoS Matching for IPv4 and IPv6 Destination Addresses	Release 7.5.1	<p>Using this feature, you can match class maps to IPv4 and IPv6 destination addresses on Layer 2 networks. The Layer 2 interface service policy has the relevant class maps, actioning them for ingress QoS operations.</p> <p>This feature provides you with an additional level of classification for aggregated customer traffic at your ingress, thus giving you granular control on traffic flows.</p> <p>This feature introduces the following commands:</p> <ul style="list-style-type: none"> • match destination-address • hw-module profile qos l2-match-dest-addr-v4v6

Overview

As a service provider, you provide Layer 2 connectivity for different classes of customer traffic across your network. With aggregated customer traffic arriving at your ingress, you need to provide differential treatment depending on specific destination addresses for the traffic. Such ability gives you granular control over traffic, allowing you to classify specific traffic flows depending on the type of services for which your customers have signed up.

You can match class maps to IPv4 and IPv6 destination addresses on Layer 2 networks to ensure such granular control. The interface service policy has the relevant class maps, actioning them for ingress QoS marking.

Guidelines and Limitations

- You can match up to 4 IPv4 and IPv6 addresses each in a class.
- For match on IPv6, only up to 64-bit prefix match is supported.
- The L2VPN traffic can be Virtual Private Wire Service (VPWS) or Virtual Private LAN Service (VPLS).
- Redundant and non-redundant pseudowires are supported.
- This feature isn't supported with egress ACL enabled.
- This feature isn't supported on NC57 line cards.
- Traffic classification for VLAN tags is supported as shown in the following table.

VLAN Tag Condition	IPv4 Addresses	IPv6 Addresses	Combination of IPv4 and IPv6 Addresses
With no VLAN tags	☑	☑	☑
With a single VLAN tag	☑	☑	☑
With a double VLAN tag	☑	☑	☑

Configure Layer 2 Ingress QoS Matching for IPv4 and IPv6 Destination Addresses

Perform the following steps to configure Layer 2 ingress QoS matching for IPv4 and IPv6 destination addresses. This example covers:

- **match-all** criteria for an IPv4 address and a Layer 2 classification (**match dscp**) in the same class map.



Note You can use the **match-all** criteria only when you want to match one specific destination address with other Layer 2 classification options such (CoS, DEI) or DSCP.

- **match-any** criteria for IPv4 and IPv6 addresses in the same class map.
1. Enable the ability to match class maps to IPv4 and IPv6 destination addresses on Layer 2 networks. Reload the router for the **hw-module** command to be functional.
 2. Create a class map and specify **match-all** criteria for an IPv4 address and DSCP.

3. Create a class map and specify **match-any** criteria for IPv4 and IPv6 addresses.
4. Create a policy map and associate the class maps you created with the traffic policy and specify **class-action**.
5. Attach the policy map to the interface.

Configuration

```

/*Enable the ability to match class maps to IPv4 and IPv6 destination addresses on Layer 2
 networks*/
Router(config)#hw-module profile qos l2-match-dest-addr-v4v6
Router(config)#commit
Router#reload

/*Create a class map and specify match-all criteria for an IPv4 address and DSCP*/
Router(config)#class-map match-all ipv4_dst_cs1
Router(config-cmap)#match destination-address ipv4 192.168.1.4 255.255.255.255
Router(config-cmap)#match dscp cs1

/*Create a class map and specify match-any criteria for IPv4 and IPv6 addresses*/
Router(config-cmap)#class-map match-any V4_V6_MATCH
Router(config-cmap)#match destination-address ipv4 10.0.0.0 255.0.0.0
Router(config-cmap)#match destination-address ipv4 20.1.0.0 255.255.0.0
Router(config-cmap)#match destination-address ipv4 20.1.1.1 255.255.255.255
Router(config-cmap)#match destination-address ipv4 30.1.0.1 255.255.255.0
Router(config-cmap)#match destination-address ipv6 101:1:12::1/64
Router(config-cmap)#match destination-address ipv6 201:1:1::1/32
Router(config-cmap)#match destination-address ipv6 201:1:3::2/64
Router(config-cmap)#match destination-address ipv6 301:1:3::2/64
Router(config-cmap)#commit

/*Create a policy map, associate the class maps with the traffic policy; specify class-action:
 police rate, in this example*/
Router(config-cmap)#policy-map PMAP_L2_V4_V6_MATCH
Router(config-pmap)#class ipv4_dst_cs1
Router(config-pmap-c)#police rate 10 mbps
Router(config-pmap-c-police)#class V4_V6_MATCH
Router(config-pmap-c)#police rate 10 mbps
Router(config-pmap-c-police)#commit

/*Attach the policy map with class-actions that you set in the class maps*/
Router(config-pmap-c-police)#int Bundle-Ether100.2
Router(config-if)#service-policy input PMAP_L2_V4_V6_MATCH
Router(config-if)#commit

```

You have successfully configured Layer 2 ingress QoS matching for IPv4 and IPv6 destination addresses.

Running Configuration

```

qos l2-match-dest-addr-v4v6
!

class-map match-all ipv4_dst_cs1
 match destination-address ipv4 192.168.1.4 255.255.255.255
 match dscp cs1
!

class-map match-any V4_V6_MATCH
 match destination-address ipv4 10.0.0.0 255.0.0.0
 match destination-address ipv4 20.1.0.0 255.255.0.0
 match destination-address ipv4 20.1.1.1 255.255.255.255

```

```

match destination-address ipv4 30.1.0.1 255.255.255.0
match destination-address ipv6 101:1:12::1/64
match destination-address ipv6 201:1:1::1/32
match destination-address ipv6 201:1:3::2/64
match destination-address ipv6 301:1:3::2/64

!
!

policy-map PMAP_L2_V4_V6_MATCH
class ipv4_dst_cs1
  police rate 10 mbps
  class V4_V6_MATCH
  police rate 10 mbps
!
!
```

Verification

To verify that the configuration was successful, run the **sh policy-map pmap-name** command for the policy map you created with all class maps associated. The output displays all the **match-any** and **match-all** configurations for IPv4 and IPv6 addresses.

```

Router#sh policy-map pmap-name PMAP_L2_V4_V6_MATCH detail
class-map match-all ipv4_dst_cs1
  match destination-address ipv4 192.168.1.4 255.255.255.255
  match dscp cs1
end-class-map

!
class-map match-any V4_V6_MATCH
  match destination-address ipv4 10.0.0.0 255.0.0.0
  match destination-address ipv4 20.1.0.0 255.255.0.0
  match destination-address ipv4 20.1.1.1 255.255.255.255
  match destination-address ipv4 30.1.0.1 255.255.255.0
  match destination-address ipv6 101:1:12::1/64
  match destination-address ipv6 201:1:1::1/32
  match destination-address ipv6 201:1:3::2/64
  match destination-address ipv6 301:1:3::2/64
end-class-map
!
policy-map PMAP_L2_V4_V6_MATCH
class ipv4_dst_cs1
  police rate 10 mbps
!

!
class V4_V6_MATCH
  police rate 10 mbps
!
!
class class-default
!
end-policy-map
!
!
```

```

Router#sh run interface bundle-ether 100
interface Bundle-Ether100
service-policy input ipv4_dst_cs1
  ipv4 address 192.168.1.4 255.255.255.255
```

```
dscp cs1
service-policy input PMAP_L2_V4_V6_MATCH
ipv4 address 10.1.0.1 255.255.255.0
ipv6 address 10:1::1/96
!
```

Bundle Traffic Policies

A policy can be bound to bundles. When a policy is bound to a bundle, the same policy is programmed on every bundle member (port). For example, if there is a policer or shaper rate, the same rate is configured on every port. Traffic is scheduled to bundle members based on the load balancing algorithm.

Both ingress and egress traffic is supported. Percentage-based policies, absolute rate-based policies, and time-based policies are supported.



Note Egress marking is not supported on BVI interfaces.



Note In BVI 2 pass mode COS/DEI based classification using ingress policy-map is not supported on BVI interface.

For details, see [Configure QoS on Link Bundles](#).

Shared Policy Instance

Table 10: Feature History Table

Feature Name	Release Information	Feature Description
Shared Policy Instance	Release 7.3.1	This feature allows you to share a single instance of QoS policy across multiple subinterfaces, allowing for aggregate shaping of the subinterfaces to one rate. The ability to facilitate queue consumption in this manner offers the advantage of saving on QoS and hardware resources, while ensuring that the specified rate is not exceeded.
Shared Policy Instance	Release 7.4.1	This feature is now supported on routers that have Cisco NC57 line cards installed and operate in native and compatibility modes.

Traditionally, when services required by your end-customers mapped one-on-one to an interface, attaching the QoS policy-map directly to the interface was the way to meet customer SLAs. However, with increasing demand for triple play configurations—requiring the management of voice and video queues in addition to

data queues—you may have several forwarding constructs. This scenario calls for the need to apply an aggregate QoS policy across interfaces to provide the necessary traffic.

After you create the traffic class and traffic policy, you can optionally use a shared policy instance to allocate a single set of QoS resources and share them across a group of subinterfaces.

With shared policy instance, you can share a single instance of a QoS policy across multiple subinterfaces, allowing for aggregate shaping, policing, and marking of the subinterfaces to one rate. All the subinterfaces that share the instance of a QoS policy must belong to the same main interface. The number of subinterfaces that share the QoS policy instance can range from 2 to the maximum number of subinterfaces on the main interface.

When a shared policy instance of a policy map is shared by several subinterfaces, QoS operations such as aggregate shaping, policing, and marking are applied for traffic on all the interfaces that use the same shared policy instance.

Traditionally, policies were bound to interfaces. However, different types of interfaces, such as Layer 2 and Layer 3, can use a single shared-policy-instance, which allows flexibility in the "attachment point" that binds the policy map.

As an example, consider the following policy configuration:

```

policy-map hqos_gold
  class class-default
    service-policy child_hqos_gold
    shape average 20 mbps
  !
end-policy-map
!
policy-map child_hqos_gold
  class voice
    priority level 1
    shape average 64 kbps
  !
  class video
    priority level 1
    shape average 4 mbps
  !
  class data
    bandwidth 5 mbps
  !
  class class-default
  !
end-policy-map
!

interface TenGigE 0/1/0/10.300 l2transport
  service-policy output hqos_gold shared-policy-instance hqos_gold_customer1
  !
interface TenGigE 0/1/0/10.400 l2transport
  service-policy output hqos_gold shared-policy-instance hqos_gold_customer1
  !

```

The keyword **shared-policy-instance** and the instance name **hqos_gold_customer1** identify the subinterfaces that share an aggregate SLA. These are shared on a physical main interface or a bundle member. In other words, in a mix of Layer 2 and Layer 3 subinterfaces in the same shared policy instance, both layers support classification criteria and action.

In the case of bundles, sharing is applicable within a bundle member and not the entire bundle. Depending on the traffic hashing, shared policy instance may or may not take effect across the subinterface under the bundle main interface.

All subinterfaces that share the same shared policy instance share resources as well. Hence, the **show policy-map** statistics values and **show qos** values for all the subinterfaces are the same.

Restrictions and Guidelines

The following restrictions and guidelines apply while configuring shared policy instance for a policy map.

- Subinterfaces that are part of the same shared policy must belong to the same main interface. In other words, subinterfaces of different main interfaces cannot be part of the same shared policy.
- There is no restriction on the number of unique shared policies across a system. However, the limit of maximum number of subinterfaces with QoS policies applies.
- There is no restriction on the number of unique shared policies per main interface, port, core, NPU, or line card.
- You cannot use the same shared policy name on the ingress and egress of the same subinterface.
- Shared policy instance is not supported with multi-policies. For example, on the egress, you cannot apply a marking policy and a queueing policy under a shared policy.
- A shared policy can include a combination of Layer 2 and Layer 3 subinterfaces.

Attaching a Shared Policy Instance to Multiple Subinterfaces

To attach a shared policy instance to multiple subinterfaces:

1. Enter interface configuration mode and configure a subinterface.
2. Attach a policy map to an input or output subinterface for it to be the service policy for that subinterface.

```
RP/0/RP0/CPU0:router(config)#interface HundredGigE0/3/0/0.1
RP/0/RP0/CPU0:router(config-subif)#service-policy output pm-out shared-policy-instance spil
```

Running Configuration

```
interface HundredGigE0/3/0/0.1
service-policy output pm-out shared-policy-instance spil
ipv4 address 20.0.0.1 255.255.255.0
encapsulation dot1q 1
!
```

Verification

The `show policy-map shared-policy-instance` command includes an option to display counters for the shared policy instance.



Note

- For bundle subinterfaces, use RP as the location keyword.
- For physical subinterfaces, use LC as the location keyword.

For example, for a physical interface:

```
RP/0/RP0/CPU0:ios#show policy-map shared-policy-instance spil output location 0/3/CPU0

Shared Policy Instance spil output: pm-out

Class cm-tc-1
  Classification statistics          (packets/bytes)          (rate - kbps)
  Matched                          :          772637560/1143503679080      9622860
  Transmitted                       :          731260312/1082265352040      5052880
  Total Dropped                     :          41377248/61238327040       4569980
  Queueing statistics
  Queue ID                          :          1433
  Taildropped(packets/bytes)        :          41377248/61238327040
Class class-default
  Classification statistics          (packets/bytes)          (rate - kbps)
  Matched                          :              0/0              0
  Transmitted                       :              0/0              0
  Total Dropped                     :              0/0              0
  Queueing statistics
  Queue ID                          :          1432
  Taildropped(packets/bytes)        :              0/0
Policy Bag Stats time: 1604675533816 [Local Time: 11/06/20 15:12:13.816]
```

Use the **clear qos counters shared-policy-instance** command to clear counters for the shared policy instance.



-
- Note**
- For bundle subinterfaces, use RP as the location keyword.
 - For physical subinterfaces, use LC as the location keyword.
-

For example, for a physical interface:

```
RP/0/RP0/CPU0:ios#clear qos counters shared-policy-instance spil output location 0/3/CPU0
```

The **show qos shared-policy-instance** command allows you to display the QoS hardware programming values.



-
- Note**
- For bundle subinterfaces, use RP as the location keyword.
 - For physical subinterfaces, use LC as the location keyword.
-

For example, for a physical interface:

```
RP/0/RP0/CPU0:ios#show qos shared-policy-instance spil output location 0/3/CPU0
Fri Nov 6 15:21:44.200 UTC
NOTE:- Configured values are displayed within parentheses
Interface HundredGigE0/3/0/0.1 ifh 0x60040c8 -- output policy
NPU Id:                                0
Total number of classes:                2
Interface Bandwidth:                    100000000 kbps
Policy Name:                            pm-out
SPI Id:                                 0x3000001
VOQ Base:                                1432
Accounting Type:                         Layer1 (Include Layer 1 encapsulation and above)
-----
Level1 Class                            = cm-tc-1
Egressq Queue ID                        = 1433 (LP queue)
Queue Max. BW.                          = 5118857 kbps (5 %)
Queue Min. BW.                          = 0 kbps (default)
```

```

Inverse Weight / Weight           = 1 / (BWR not configured)
Guaranteed service rate           = 5000000 kbps
Peak burst                         = 33600 bytes (default)
TailDrop Threshold                 = 6258688 bytes / 10 ms (default)
WRED not configured for this class

Level1 Class                       = class-default
Egressq Queue ID                   = 1432 (Default LP queue)
Queue Max. BW.                     = no max (default)
Queue Min. BW.                     = 0 kbps (default)
Inverse Weight / Weight           = 1 / (BWR not configured)
Guaranteed service rate           = 50000000 kbps
Peak burst                         = 33600 bytes (default)
TailDrop Threshold                 = 62652416 bytes / 10 ms (default)
WRED not configured for this class

```

Ingress Short-Pipe

When QoS traffic leaves an MPLS network, the MPLS label stack is removed on the penultimate ingress Label Switch Router (LSR), leaving an IPv4 or IPv6 packet to be forwarded. MPLS experimental bits (or EXP or pipe mode) carries out this disposition process and the packet is marked with a Differentiated Services Code Point (DSCP) or precedence value (also called DSCP or Precedence-based classification).

Usually, QoS traffic supports DSCP and precedence-based classifications only when there is no MPLS label in the packet. Using the ingress short-pipe feature, however, you can classify a packet that contains one MPLS label using the type-of-service (ToS) field of the IPv4 or IPv6 header. This classification method is called ingress short-pipe. To classify an IP packet this way, you must:

1. Create a child class map.
2. Specify a ToS value in the child class map.
3. Attach the child class map to a parent class map.
4. Create a policy map containing the parent class map.
5. Set any ingress action such as traffic class or QoS group. From Release 7.1.1 onwards, you can also set ingress action DSCP (or precedence value).

With the ingress short-pipe feature, you get an increased visibility into traffic packets. Plus, the feature also removes the limitation of classifying MPLS packets that come into IPv4 or IPv6 networks.

Restrictions and Other Important Points

Ensure that you read these points before you configure the ingress short-pipe feature.

- This feature isn't supported on:
 - NC57-24DD
 - NC57-18DD-SE
 - NC57-36H-SE
 - NC57-36H6D-S
 - NC57-MOD-S

- NCS-57B1-6D24-SYS
 - NCS-57B1-5DSE-SYS
 - NCS-57C3-MOD-SYS
 - NCS-57D2-18DD-SYS
- This feature works only when there is one MPLS header in the traffic packet. If there are two or more MPLS headers, the ingress-short pipe feature fails. For example, in case of Explicit Null where there are two labels at the disposition, this feature will not work.
 - You can carry out ingress classification using either the MPLS experimental bits (or EXP or pipe mode) classification OR the DSCP/precedence (or short-pipe) classification. Ensure that you do not mix the classification methods, else it may result in an unknown behavior, and the classification may not work at all.
 - This feature is supported only on L3VPN, and not supported on L2VPN.
 - This feature works for regular IPv4/IPv6 traffic, but will not work for IPv6 VPN Provider Edge over MPLS (6VPE).
 - You can add only one child class map to a parent class map.
 - This feature supports the invocation of short-pipe and legacy DSCP classification for the same parent class map.
 - The child class map can contain only match precedence and match dscp commands.
 - This feature is not supported in peering mode.

Configure Ingress Short-Pipe

This section details a sample configuration for the ingress short-pipe feature and another sample to configure classification for labeled and non-labeled packets under the same parent class.

Sample configuration to classify a packet that contains one MPLS label using the type-of-service (ToS) field of the IPv4 or IPv6 header (or the ingress short-pipe method):

```
class-map match-any in_pipe
  match mpls disposition class-map child_pipe
end-class-map
!
class-map match-any child_pipe
  match precedence 1
  match dscp ipv4 af11
  end-class-map
!
class-map match-any ingress-business-high
  match dscp af21 af22
  end-class-map

class-map match-any ingress-business-low
  match dscp af11 af12
  end-class-map

policy-map ingress-classifier
  class in_pipe
    set traffic-class 5
```

```

set dscp af31
class ingress-business-high
set traffic-class 4
class ingress-business-low
set traffic-class 2
class class-default
set traffic-class 0
!

```



Note The **set dscp** option is available from Release 7.1.1 onwards.

You can configure classification for both labeled and non-labeled packets under the same parent class as in the following sample configuration. In this example, for MPLS labeled packets, DSCP configured under the child class is classified, while for non-labeled packets, DSCP/ToS configured in the **match dscp <value>** statement is classified.

DSCP value range is from 0 through 63. The range option is not supported. Up to 8 items per class are supported. Up to 64 **match dscp** values in total.

```

class-map match-any in_pipe
match mpls disposition class-map child_pipe  (labeled case)
match dscp af11 (non-labeled case)
end-class-map
!
class-map match-any child_pipe
match precedence 1
match dscp ipv4 af11
end-class-map
!
class-map match-any ingress-business-high
match dscp af21 af22
end-class-map

class-map match-any ingress-business-low
match dscp af11 af12
end-class-map

policy-map ingress-classifier
class in_pipe
set traffic-class 5

class ingress-business-high
set traffic-class 4
class ingress-business-low
set traffic-class 2
class class-default
set traffic-class 0
!

```

Associated Commands

- **match mpls disposition class-map**

Selective Egress Policy-Based Queue Mapping

With selective egress policy-based queue mapping, you can combine traffic class (TC) maps in various permutations at the egress.



Note Modular chassis do not support this feature.

The primary aim of introducing the egress TC (traffic class) mapping is to classify the traffic in the ingress using a single policy and place the classified traffic into queues, by assigning the traffic classes. At the egress, you can support different groupings of TCs.

Based on different Service Level Agreements (SLAs) that each customer has signed up for, you can group some TCs into priority queues for real time (RT) traffic, other TCs into guaranteed bandwidth (BW) traffic, and the rest into best effort (BE) traffic delivery.

Let us consider an example where three customers have purchased these services, based on their requirements:

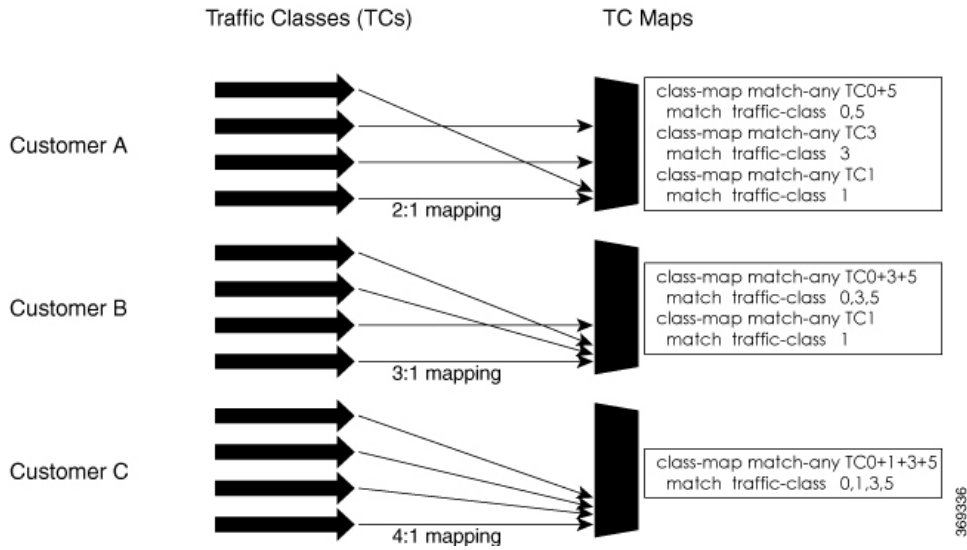
- Customer A - Requires RT traffic, reserved BW traffic and BE traffic delivery.
- Customer B – Requires reserved BW traffic and BE traffic delivery.
- Customer C – Needs only BE traffic delivery.

Using the selective egress policy-based queue mapping, you can create three profiles this way:

- Customer A – Priority queue RT traffic (TC1), Guaranteed BW traffic (TC3), Best effort traffic (TC0, TC5)
- Customer B – Guaranteed BW traffic (TC1), Best effort traffic (TC0, TC3, TC5)
- Customer C - Best effort traffic (TC0, TC1, TC3, TC5)

Using the egress TC-mapping, you can create three different profiles that you can use for each customer based on their SLAs with the provider.

Figure 1: Selective Egress Policy-Based Queue Mapping Helps Create Customer Profiles Based on Their SLAs



Restrictions and Other Important Points

- Ensure that you read these points before you configure the selective egress policy-based queue-mapping feature.
 - There can be only one TC (Traffic Class) mapped class to a PM (Policy Map).
 - You cannot use a TC that you used in a mapped class, in a non-mapped class under the same PM.
 - You can have a maximum of three unique TC mapped PMs or profiles per platform.
 - Every TC mapped class must include **traffic-class 0** in the range values.
 - The TC-mapping range is from 0 through 5.
 - When a TC-mapped class is present in a PM, the class default becomes a dummy class. This means that the class default statistics and QoS values are not applicable.
 - All the class default limitations apply to the TC-mapped class; for example, you cannot configure **priority** command under the TC mapped class.



Note A TC-mapped PM or profile is a PM that contains a TC-mapped class.

Example of a TC-mapped class:

```
match traffic-class 0 1 2 3
```

Example of a TC non-mapped class:

```
match traffic-class 1
```


Configure Selective Egress Policy-Based Queue Mapping

This section details a sample configuration for the selective egress policy-based queue-mapping feature and a use case to show how this feature works.

Sample configuration

```
class-map match-any <name>
  match traffic-class <value>
commit

policy-map tc_pmap
  class tc035
    shape average percent 1
  !
  class class-default
  !
end-policy-map
!
class-map match-any tc035
match traffic-class 0 3 5
end-class-map
!
```

Verification

Run the **show qos interface** and **show policy-map interface** commands.

When TC mapping class is present in a policy map, the class default does not have any values calculated.

show qos interface bundle-Ether 44 output sample

```
NOTE:- Configured values are displayed within parentheses
NPU Id: 0
Total number of classes: 3
Interface Bandwidth: 100000000 kbps
Policy Name: tc_pmap
Accounting Type: Layer1 (Include Layer 1 encapsulation and above)
-----
Level1 Class = tc1
Level1 Class = tc035
Level1 Class = class-default

Interface HundredGigE0/0/0/30 Ifh 0xf000208 (Member) -- output policy
NPU Id: 0
Total number of classes: 3
Interface Bandwidth: 100000000 kbps
Policy Name: tc_pmap
VOQ Base: 1264
Accounting Type: Layer1 (Include Layer 1 encapsulation and above)
-----
Level1 Class = tc1
Egressq Queue ID = 1265 (LP queue)
Queue Max. BW. = 10063882 kbps (10 %)
Queue Min. BW. = 0 kbps (default)
Inverse Weight / Weight = 1 / (BWR not configured)
Guaranteed service rate = 10000000 kbps
TailDrop Threshold = 12517376 bytes / 10 ms (default)
WRED not configured for this class
```

```

Level1 Class                = tc035
Egressq Queue ID           = 1264 (LP queue)
Queue Max. BW.             = 1011732 kbps (1 %)
Queue Min. BW.            = 0 kbps (default)
Inverse Weight / Weight    = 1 / (BWR not configured)
Guaranteed service rate    = 1000000 kbps
TailDrop Threshold         = 1253376 bytes / 10 ms (default)
WRED not configured for this class

Level1 Class                = class-default
Queue Max. BW.            = no max (default)
Queue Min. BW.            = 0 kbps (default)
Inverse Weight / Weight    = 0 / (BWR not configured)

```

show policy-map interface bundle-Ether 44 output sample

Bundle-Ether44 output: tc_pmap

```

Class tc1
  Classification statistics      (packets/bytes)      (rate - kbps)
  Matched                      :      429444/53823648      0
  Transmitted                   :      429444/53823648      0
  Total Dropped                 :              0/0          0
  Queueing statistics
  Queue ID                      : None (Bundle)
  Taildropped(packets/bytes)    : 0/0
Class tc035
  Classification statistics      (packets/bytes)      (rate - kbps)
  Matched                      :      1288331/161470820      0
  Transmitted                   :      1288331/161470820      0
  Total Dropped                 :              0/0          0
  Queueing statistics
  Queue ID                      : None (Bundle)
  Taildropped(packets/bytes)    : 0/0
Class class-default
  Classification statistics      (packets/bytes)      (rate - kbps)
  Matched                      :              0/0          0
  Transmitted                   :              0/0          0
  Total Dropped                 :              0/0          0
  Queueing statistics
  Queue ID                      : None (Bundle)
  Taildropped(packets/bytes)    : 0/0
Policy Bag Stats time: 1557216940000 [Local Time: 05/07/19 08:15:40.000]
RP/0/RP0/CPU0:BB1#

```

Use Case

With the ingress traffic matching the same match criteria, you can group the egress traffic up to three unique TC mapped profiles. Using this feature, you can provide differentiated services to customers based on the SLAs they have signed up for.

In the example that follows, the ingress policy-map sets the ingress match criteria for the traffic class from 0 through 5. Based on the SLAs, you can group the TC values at the egress PM to deliver differentiated services.

After you group the TC values, you can apply specific egress actions under that class.

Ingress match:

```

class EXP1
  set traffic-class 1
!
class EXP2
  set traffic-class 2

```

```

!
class EXP3
  set traffic-class 3
!
class EXP4
  set traffic-class 4
!
class EXP5
  set traffic-class 5
!
class class-default
!
end-policy-map
!

```

Egress match:**Sample TC mapped class for policy-map PM1**

```

class-map match-any TC2:1
match traffic-class 0 1
end-class-map

```

Sample TC mapped class for policy-map PM2

```

class-map match-any TC3:1
match traffic-class 0 1 2
end-class-map

```

Sample TC mapped class for policy-map PM3

```

class-map match-any TC6:1
match traffic-class 0 1 2 3 4 5
end-class-map

```

Configuring QoS Groups with an ACL

You can create QoS groups and configure ACLs to classify traffic into the groups based on a specified match condition. In this example, we match by the QoS group value (0-511).

Supported ACL Types

Your router supports the following ACL types.



Note If you configure QoS group with an unsupported ACL type, the system doesn't display any error message.

ACL Type	Example
IPv4 DSCP	permit ipv4 any any dscp af43
UDP DSCP	permit udp any any dscp af43
UDP Fragments IPv4	udp any any fragments - IPv4
UDP Fragments IPv6	udp any any fragments - IPv6
TCP Fragments IPv4	tcp any any fragments - IPv4

ACL Type	Example
TCP Fragments IPv6	tcp any any fragments - IPv6
IPV4 DSCP Fragments	permit ipv4 any any dscp af43 fragments
UDP DSCP Fragments	permit udp any any dscp af43 fragments
UDP Host Fragments	permit udp host <sip> host <dip> fragments
TCP Host Fragments	permit tcp host <sip> host <dip> dscp af43 fragments
TCP DSCP	permit tcp <source network > <destination network> dscp af43
TCP Port based	permit tcp any any eq <port>
UDP Port based	permit udp any any eq <port>
TCP Flags	permit tcp host <sip> host <dip> established fin psh syn urg

Restrictions

- ACLs with fragment match are supported on systems with only NC57 line cards, also referred to as native mode.
- IPv6 ACLs with fragment match are supported only in **short** and **short-l2-qos** mode.

Prerequisites

Before you can configure QoS groups with an ACL, the QoS peering profile must be enabled on the router or the line card. After enabling QoS peering, the router or line card must be reloaded, as shown in the following configuration.

Enabling QoS Peering Profile on the Router

Enter the global configuration mode and enable the QoS peering profile for the router as shown:

```
RP/0/RP0/CPU0:router(config)# hw-module profile qos ingress-model peering
RP/0/RP0/CPU0:router(config)# exit
RP/0/RP0/CPU0:router# reload
```

Enabling QoS Peering Profile on the Line Card

Enter the global configuration mode and enable the QoS peering profile for the line card as shown:

```
RP/0/RP0/CPU0:router(config)# hw-module profile qos ingress-model peering location 0/0/CPU0
RP/0/RP0/CPU0:router(config)# exit
RP/0/RP0/CPU0:router# reload location 0/0/CPU0
```

Configuration

Use the following set of configuration statements to configure an ACL with QoS groups.

```
/*
Enter the global configuration mode, and configure an ACL with the required QoS groups.
```

```

*/
RP/0/RP0/CPU0:router# configure
RP/0/RP0/CPU0:router(config)# ipv4 access-list qos-acl
RP/0/RP0/CPU0:router(config-ipv4-acl)# 10 permit ipv4 host 5.0.0.1 any set qos-group 1
RP/0/RP0/CPU0:router(config-ipv4-acl)# 11 permit ipv4 host 6.0.0.1 any set qos-group 2
RP/0/RP0/CPU0:router(config-ipv4-acl)# 12 permit ipv4 host 7.0.0.1 any set qos-group 3
RP/0/RP0/CPU0:router(config-ipv4-acl)# 13 deny ipv4 any any

/* Create a policy map with the required classes.
In this example, we also create a default class for traffic that does not belong to any of
the specified
classes. */
RP/0/RP0/CPU0:router(config)# policy-map qos-acl-map
RP/0/RP0/CPU0:router(config-pmap)# class qos1
RP/0/RP0/CPU0:router(config-pmap-c)# set dscp af43
RP/0/RP0/CPU0:router(config-pmap-c)# set traffic-class 2
RP/0/RP0/CPU0:router(config-pmap-c)# exit

RP/0/RP0/CPU0:router(config-pmap)# class qos2
RP/0/RP0/CPU0:router(config-pmap-c)# set precedence critical
RP/0/RP0/CPU0:router(config-pmap-c)# set traffic-class 7
RP/0/RP0/CPU0:router(config-pmap-c)# exit

RP/0/RP0/CPU0:router(config-pmap)# class qos3
RP/0/RP0/CPU0:router(config-pmap-c)# set precedence 2
RP/0/RP0/CPU0:router(config-pmap-c)# set traffic-class 2
RP/0/RP0/CPU0:router(config-pmap-c)# exit

RP/0/RP0/CPU0:router(config-pmap)# class qos4
RP/0/RP0/CPU0:router(config-pmap-c)# set traffic-class 4
RP/0/RP0/CPU0:router(config-pmap-c)# set dscp cs4
RP/0/RP0/CPU0:router(config-pmap-c)# exit

RP/0/RP0/CPU0:router(config-pmap)# class class-default
RP/0/RP0/CPU0:router(config-pmap-c)# police rate percent 20
RP/0/RP0/CPU0:router(config-pmap-c-police)# exit

/* Create the class maps for specifying the match conditions. */
RP/0/RP0/CPU0:router(config)# class-map match-any qos1
RP/0/RP0/CPU0:router(config-cmap)# match qos-group 1
RP/0/RP0/CPU0:router(config-cmap)# end-class-map

RP/0/RP0/CPU0:router(config)# class-map match-any qos2
RP/0/RP0/CPU0:router(config-cmap)# match qos-group 2
RP/0/RP0/CPU0:router(config-cmap)# end-class-map

RP/0/RP0/CPU0:router(config)# class-map match-any qos3
RP/0/RP0/CPU0:router(config-cmap)# match qos-group 3
RP/0/RP0/CPU0:router(config-cmap)# end-class-map

RP/0/RP0/CPU0:router(config)# class-map match-any qos4
RP/0/RP0/CPU0:router(config-cmap)# match qos-group 4
RP/0/RP0/CPU0:router(config-cmap)# end-class-map

/* Apply the access list and the QoS map to the Gigabit interface, and commit your
configuration. */
RP/0/RP0/CPU0:router(config)# interface TenGigE0/0/0/1
RP/0/RP0/CPU0:router(config-if)# ipv4 address 12.0.0.1/24
RP/0/RP0/CPU0:router(config-if)# no shut
RP/0/RP0/CPU0:router(config-if)# service-policy input qos-acl-map

```

```
RP/0/RP0/CPU0:router(config-if)# ipv4 access-group qos-acl ingress compress level 3

RP/0/RP0/CPU0:router(config-if)# commit
Tue Mar 28 10:23:34.106 IST

RP/0/0/CPU0:Mar 28 10:37:48.570 : ifmgr[397]: %PKT_INFRA-LINK-3-UPDOWN : Interface
TenGigE0/0/0/1, changed state to Down
RP/0/0/CPU0:Mar 28 10:37:48.608 : ifmgr[397]: %PKT_INFRA-LINK-3-UPDOWN : Interface
TenGigE0/0/0/1, changed state to Up

RP/0/RP0/CPU0:router(config-if)# exit
```

Running Configuration

Confirm your configuration.

```
RP/0/RP0/CPU0:router(config)# show run
Tue Mar 28 10:37:55.737 IST
```

```
Building configuration...
!! IOS XR Configuration 0.0.0
```

ipv4 access-list qos-acl

```
10 permit ipv4 host 5.0.1.1 any set qos-group 1
11 permit ipv4 host 6.0.1.1 any set qos-group 2
12 permit ipv4 host 7.0.1.1 any set qos-group 3
13 deny ipv4 any any
```

```
class-map match-any qos1
match qos-group 1
end-class-map
!
```

```
class-map match-any qos2
match qos-group 2
end-class-map
!
```

```
class-map match-any qos3
match qos-group 3
end-class-map
!
```

```
class-map match-any qos4
match qos-group 4
end-class-map
!
```

policy-map qos-acl-map

```
class qos1
  set dscp af43
  set traffic-class 2
!
class qos2
  set precedence critical
  set traffic-class 7
!
class qos3
  set precedence 2
  set traffic-class 2
!
class qos4
  set traffic-class 4
  set dscp cs4
!
class class-default
```

```

    police rate percent 20
    !
  !
end-policy-map
!

interface TenGigE0/0/0/1
service-policy input qos-acl-map
ipv4 address 12.0.0.1 255.255.255.0
ipv4 access-group qos-acl ingress compress level 3

!

```

You have successfully configured an ACL with QoS groups.

Configuring an ACL with Fragment Match

Table 11: Feature History Table

Feature Name	Release Information	Feature Description
Additional Routers Supported for ACL with Fragment Match	Release 7.9.1	<p>Introduced in this release on NCS 5500 fixed port routers, NCS 5700 fixed port routers, and NCS 5500 modular routers.</p> <p>You can prevent malicious users from staging denial of service (DoS) attacks for non-initial IP by configuring an ACL with fragment match and specifying QoS match actions to rate-limit non-initial fragments for IPv4 traffic.</p>

Usually, IP ACLs process non-fragmented packets and the first fragments of a packet using permit and deny actions. These packets may have Layer 3 and 4 information that the ACLs match for a permit or deny action. By default, however, ACLs permit noninitial fragments. This could lead to potential security issues with users with malicious intent using the noninitial fragments to launch denial of service (DoS) attacks.

With this feature, you can now to set QoS policies for noninitial fragment packets, thus having more granular control over noninitial IP fragments of a packet. Noninitial IP fragments have the fragment offset value non-zero. To know more about fragments, see the *IP Addresses and Services Configuration Guide for Cisco NCS 5500 Series Routers*.

Restrictions and Guidelines

The following restrictions and guidelines apply while configuring an ACL with fragment match.

- Until Cisco IOS XR Release 7.8.1, this feature is supported on systems with NC57 line cards running in native mode. You can configure IPv4 and IPv6 ACLs with fragment match on these systems. (See [Configuring an ACL with Fragment Match, on page 56](#).)

- From Cisco IOS XR Release 7.9.1 onwards, this feature is supported on all Cisco NCS 5700 Series Routers and on NCS 5500 Series Routers. You can configure only IPv4 ACLs with fragment match on these systems. (See [Configuring an ACL with Fragment Match, on page 56.](#))
- To enable IPv6 fragment classification support, configure **hw-module profile qos ipv6 short-l2qos-enable** or **hw-module profile qos ipv6 short**.
- IPv6 fragmentation is supported with only one Extension Header (EH).

Configuring an ACL with Fragment Match

For IPv4 and IPv6 ACLs

To configure an ACL with fragment match, you must:

1. Create IPv4 and IPv6 ACLs with fragment match.



Note To enable IPv6 fragment classification support, configure **hw-module profile qos ipv6 short-l2qos-enable** or **hw-module profile qos ipv6 short**.

2. Create two class maps, one for IPv4 and IPv6, and attach the respective ACLs to the class maps.
3. Create a policy map with these two class maps and set action.



Note You can configure IPv4 and IPv6 ACLs with fragment match only on systems with NC57 line cards running in native mode.

```

Router(config)#ipv4 access-list v4_ace
Router(config-ipv4-acl)#permit ipv4 any any fragments
Router(config-ipv4-acl)#exit
Router(config)#
Router(config)#ipv6 access-list v6_ace
Router(config-ipv6-acl)#permit ipv6 any any fragments
Router(config-ipv6-acl)#exit
Router(config)#
Router(config)#class-map match-any v4_class
Router(config-cmap)#match access-group ipv4 v4_ace
Router(config-cmap)#exit
Router(config)#
Router(config)#class-map match-any v6_class
Router(config-cmap)#match access-group ipv6 v6_ace
Router(config-cmap)#exit
Router(config)#policy-map frag_policy
Router(config-pmap)#class v4_class
Router(config-pmap-c)#set traffic-class 3
Router(config-pmap-c)#police rate 100 mbps
Router(config-pmap-c-police)#exit
Router(config-pmap-c)#
Router(config-pmap-c)#class v6_class
Router(config-pmap-c)#police rate 150 mbps peak-rate 200 mbps
Router(config-pmap-c-police)#exit

```



```
Router(config-pmap-c) #exit
Router(config-pmap) #exit
```

Running Configuration

```
ipv4 access-list v4_ace
 permit ipv4 any any fragments
 exit
!
ipv6 access-list v6_ace
 permit ipv6 any any fragments
 exit
!
class-map match-any v4_class
 match access-group ipv4 v4_ace
 exit
!
class-map match-any v6_class
 match access-group ipv6 v6_ace
 exit

policy-map frag_policy
 class v4_class
  set traffic-class 3
  police rate 100 mbps
  exit
!
 class v6_class
  police rate 150 mbps peak-rate 200 mbps
```

Verification

Run the **show policy-map pmap-name frag_policy detail** command to confirm the ACL fragment matches and the **show qos int hundredGigE 0/5/0/2 input** command to confirm the policer details.

```
Router#show policy-map pmap-name frag_policy detail
ipv4 access-list v4_ace
10 permit ipv4 any any fragments

ipv6 access-list v6_ace
10 permit ipv6 any any fragments

class-map match-any v4_class
match access-group ipv4 v4_ace
end-class-map
!
class-map match-any v6_class
match access-group ipv6 v6_ace
end-class-map
!
policy-map frag_policy
class v4_class
 set traffic-class 3
 police rate 100 mbps
!
!
class v6_class
 police rate 150 mbps peak-rate 200 mbps
!
!
class class-default
!
end-policy-map
```

```

!

Router#show qos int hundredGigE 0/5/0/2 input
NOTE:- Configured values are displayed within parentheses
Interface HundredGigE0/5/0/2 ifh 0xa000088 -- input policy
NPU Id:                                0
Total number of classes:                3
Interface Bandwidth:                    100000000 kbps
Policy Name:                            frag_policy
SPI Id:                                 0x0
Accounting Type:                        Layer2 (Include Layer 2 encapsulation and above)
-----
Level1 Class                            = v4_class
New traffic class                        = 3

Policer Bucket ID                       = 0x12
Policer Stats Handle                    = 0x0
Policer committed rate                = 99609 kbps (100 mbits/sec)
Policer conform burst                   = 124672 bytes (default)

Level1 Class                            = v6_class

Policer Bucket ID                       = 0x11
Policer Stats Handle                    = 0x0
Policer committed rate                = 150390 kbps (150 mbits/sec)
Policer peak rate                    = 200195 kbps (200 mbits/sec)
Policer conform burst                   = 186624 bytes (default)
Policer exceed burst                     = 436096 bytes (default)

Level1 Class                            = class-default

Default Policer Bucket ID                = 0x10
Default Policer Stats Handle             = 0x0
Policer not configured for this class

```

For IPv4 ACLs

To configure an ACL with fragment match, you must:

1. Create an IPv4 ACL with fragment match.
2. Create a class map for IPv4 and attach the ACL to the class map.
3. Create a policy map with the class map and set action.



Note You can configure IPv4 ACLs with fragment match on Cisco NCS 5700 Series Routers and on NCS 5500 Series Routers with line cards other than NC57 line cards.

```

Router(config)#ipv4 access-list v4_ace
Router(config-ipv4-acl)#permit ipv4 any any fragments
Router(config-ipv4-acl)#exit
Router(config)#
Router(config)#class-map match-any v4_class
Router(config-cmap)#match access-group ipv4 v4_ace
Router(config-cmap)#exit
Router(config)#
Router(config)#policy-map frag_policy
Router(config-pmap)#class v4_class
Router(config-pmap-c)#set traffic-class 3

```

```
Router(config-pmap-c)#police rate 100 mbps
Router(config-pmap-c-police)#exit
Router(config-pmap-c)#exit
Router(config-pmap)#exit
```

Running Configuration

```
ipv4 access-list v4_ace
 permit ipv4 any any fragments
 exit

!
class-map match-any v4_class
 match access-group ipv4 v4_ace
 exit
!

policy-map frag_policy
 class v4_class
  set traffic-class 3
  police rate 100 mbps
 exit
!
```

Verification

Run the **show policy-map pmap-name frag_policy detail** command to confirm the ACL fragment matches and the **show qos int hundredGigE 0/5/0/2 input** command to confirm the policer details.

```
Router#show policy-map pmap-name frag_policy detail
ipv4 access-list v4_ace
10 permit ipv4 any any fragments

class-map match-any v4_class
match access-group ipv4 v4_ace
end-class-map
!
!
policy-map frag_policy
class v4_class
  set traffic-class 3
  police rate 100 mbps
  !
!
class class-default
!
end-policy-map
!
```

```
Router#show qos int hundredGigE 0/5/0/2 input
NOTE:- Configured values are displayed within parentheses
Interface HundredGigE0/5/0/2 ifh 0xa000088 -- input policy
NPU Id: 0
Total number of classes: 3
Interface Bandwidth: 100000000 kbps
Policy Name: frag_policy
SPI Id: 0x0
Accounting Type: Layer2 (Include Layer 2 encapsulation and above)
-----
Level1 Class = v4_class
New traffic class = 3
```

```

Policer Bucket ID           = 0x12
Policer Stats Handle        = 0x0
Policer committed rate      = 99609 kbps (100 mbits/sec)
Policer conform burst       = 124672 bytes (default)

Level1 Class                 = class-default

Default Policer Bucket ID    = 0x10
Default Policer Stats Handle = 0x0
Policer not configured for this class

```

Restrictions

Refer to the following table for Ingress QoS Scale limitation.

Table 12: Ingress QoS Scale Limitation

QoS Mode	Class-Map Size	Maximum number of Interfaces with Ingress QoS Applied	
		Per Core	Per NPU
Normal	4	1023	2046
Normal	8	511	1022
Normal	16	255	510
Normal	32	127	254
Enhanced	4	871	1742
Enhanced	8	435	870
Enhanced	16	217	434
Enhanced	32	108	216



Note If you apply an ingress policy map to a bundle that has bundle members only from a single core of an NPU, the QoS resources are consumed on both cores of that NPU.

Example: For Default Configuration, which is Normal (2 counter mode) QoS Mode & 32 Class Map-Size, you can configure 127 interfaces with Ingress Policy per core.

Other restrictions to follow:

- If you have a **set traffic class** statement explicitly configured in ingress service policy, it is mandatory to have a corresponding **match traffic class** on egress for the traffic to be correctly matched and the stats to be accounted in **show policy-map interface <> output** command. To match the ingress traffic to egress class-default, traffic class should be set to 0 on ingress.

- If you have a **set traffic class that is configured** in ingress service policy, and no corresponding **match traffic class** on egress, the traffic will not go to class default and the stats for this traffic flow will not be seen in **show policy-map interface <> output** command.
- If you do not have any **set traffic class** statement in ingress, then traffic will hit the default-class on egress.
- If you have a **set discard-class** statement configured in ingress service policy, it is mandatory to have a corresponding **match discard-class** on egress for the traffic to be correctly matched and the stats to be accounted in **show policy-map interface <> output** command.
- If you have a **set discard-class** statement configured in ingress service policy and do not have a corresponding **match discard-class** on egress, the traffic will not hit the class-default and the stats for this flow will not be accounted in **show policy-map interface <> output** command.
- The system does not support class-map size on peering mode.
- Even if you have an egress policy that has the drop action configured, the transmitted counter stats still shows an increment.
- Depending on the packet size, the traffic shaped value for low shaper rates, such as 10mbps, have greater deviation than 5% of tolerance from the shaper value. For higher shaper rates, the deviation is within the limit of 5% of tolerance from the shaper value for all packet sizes.
- If the shaper rate is less than 7 Mbps, the calculation of queue-limit is based on 10 ms of guaranteed service rate, and which leads to different queue-limit for each shaper value. This consumes the rate-profile for each queue-limit, and can also lead to a queue-limit of less than 1 MTU causing larger packets to drop.

Restrictions for Peering QoS Profile

- After enabling the QoS peering feature using the **hw-module profile qos ingress-model peering** command, you can set the Layer 2 class of service (CoS) or drop eligible indicator (DEI) values at the egress using the **set cos** or **set dei** commands, respectively. However, at the egress, ensure you don't set the MPLS experimental imposition (EXP) values (using the **set mpls experimental imposition** command). Otherwise, when committing the policy map with these configurations at the egress, you will encounter an error. This error occurs because the internal fields required for egress EXP marking are not available with peering enabled.
- **explicit set discard-class** statement is not supported.
- This feature is supported only on L3 interfaces and is limited to 1000 L3 interfaces per system.
- **set mpls exp topmost** statement is not supported within QoS in peering mode.
- **access group** statement is not supported.
- (Only in Release 6.2.x and Release 6.3.x) **set mpls exp imposition** statement is not supported on ingress interface.
- 2-Level ingress policer is not supported.
- (From Release 6.5.x) Egress H-QOS with peering profile support is enabled, but ingress H-QOS with peering profile is not supported.

- Depending on the packet size, the traffic shaped value for low shaper rates, such as 10mbps, have greater deviation than 5% of tolerance from the shaper value. For higher shaper rates, the deviation is within the limit of 5% of tolerance from the shaper value for all packet sizes.
- (From Release 7.2.1) On NC57 line cards, QoS ingress peering profile is not supported. This restriction is applicable for systems operating in compatibility mode and native mode.

Restrictions for QoS on BVI

- The system does not support the egress policy on Bridge-Group Virtual Interface (BVI), but BVI (CoS, DEI) marking is supported by applying the policy to its corresponding Layer 2 interface, which is part of the same bridge domain.
- If you apply L3 ingress QoS policy on L2 interface, which is a part of the same bridge-domain as BVI, the classification might not work if packets are destined to the BVI MAC address.
- If a QoS policy is attached to BVI, the policy is inherited by the L2 interfaces, which are part of the same bridge-domain. Hence, any other policy cannot be applied on the L2 interfaces. Similarly, if a QoS policy is attached to any of the L2 interfaces, any QoS policy cannot be applied on the BVI, which is part of the same bridge-domain.

Restrictions for Egress Drop Action

- A maximum of 8 interfaces can have the drop action configured and a maximum of 8 classes in any single policy can have the drop action.
- A drop action in any particular class cannot be combined with other actions.
- Drop action in a policy applied on the main interface is not inherited onto sub-interfaces.
- Match condition for drop action PM can only be based on qos-group, discard class based match is not supported.

In-Place Policy Modification

The In-Place policy modification feature allows you to modify a QoS policy even when the QoS policy is attached to one or more interfaces. A modified policy is subjected to the same checks that a new policy is subject to when it is bound to an interface. If the policy-modification is successful, the modified policy takes effect on all the interfaces to which the policy is attached. However, if the policy modification fails on any one of the interfaces, an automatic rollback is initiated to ensure that the pre-modification policy is in effect on all the interfaces.

You can also modify any class map used in the policy map. The changes made to the class map take effect on all the interfaces to which the policy is attached.

**Note**

- The QoS statistics for the policy that is attached to an interface are lost (reset to 0) when the policy is modified.
- When a QoS policy attached to an interface is modified, there might not be any policy in effect on the interfaces in which the modified policy is used for a short period of time.
- The system does not support the show policy-map statistics for marking policies.
- An in-place modification of an ACL does not reset the policy-map statistics counter.

**Note**

- For QOS EXP-Egress marking applied on a Layer 3 interface on Cisco NCS550x and NCS55Ax routers, there is a limit of two unique policy-maps per NPU. This limit is three unique policy maps per NPU for routers that have the Cisco NC57 line cards installed. When the maximum limit for policy-maps is reached and you try to modify a policy-map which is shared between different interfaces, you may get an error.
- For QOS egress marking (CoS, DEI) applied on a Layer 2 interface, there is a limit of 13 unique policy-maps per NPU. When the maximum limit for policy-maps is reached and you try to modify a policy-map which is shared between different interfaces, you may get an error.

Verification

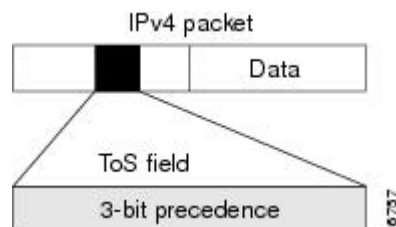
If unrecoverable errors occur during in-place policy modification, the policy is put into an inconsistent state on target interfaces. No new configuration is possible until the configuration session is unblocked. It is recommended to remove the policy from the interface, check the modified policy and then re-apply accordingly.

References for Modular QoS Service Packet Classification

Specification of the CoS for a Packet with IP Precedence

Use of IP precedence allows you to specify the CoS for a packet. You can create differentiated service by setting precedence levels on incoming traffic and using them in combination with the QoS queuing features. So that, each subsequent network element can provide service based on the determined policy. IP precedence is usually deployed as close to the edge of the network or administrative domain as possible. This allows the rest of the core or backbone to implement QoS based on precedence.

Figure 2: IPv4 Packet Type of Service Field



You can use the three precedence bits in the type-of-service (ToS) field of the IPv4 header for this purpose. Using the ToS bits, you can define up to eight classes of service. Other features configured throughout the network can then use these bits to determine how to treat the packet in regard to the ToS to grant it. These other QoS features can assign appropriate traffic-handling policies, including congestion management strategy and bandwidth allocation. For example, queuing features such as LLQ can use the IP precedence setting of the packet to prioritize traffic.

IP Precedence Bits Used to Classify Packets

Use the three IP precedence bits in the ToS field of the IP header to specify the CoS assignment for each packet. You can partition traffic into a maximum of eight classes and then use policy maps to define network policies in terms of congestion handling and bandwidth allocation for each class.

Each precedence corresponds to a name. IP precedence bit settings 6 and 7 are reserved for network control information, such as routing updates. These names are defined in RFC 791.

IP Precedence Value Settings

By default, the routers leave the IP precedence value untouched. This preserves the precedence value set in the header and allows all internal network devices to provide service based on the IP precedence setting. This policy follows the standard approach stipulating that network traffic should be sorted into various types of service at the edge of the network and that those types of service should be implemented in the core of the network. Routers in the core of the network can then use the precedence bits to determine the order of transmission, the likelihood of packet drop, and so on.

Because traffic coming into your network can have the precedence set by outside devices, we recommend that you reset the precedence for all traffic entering your network. By controlling IP precedence settings, you prohibit users that have already set the IP precedence from acquiring better service for their traffic simply by setting a high precedence for all of their packets.

The class-based unconditional packet marking and LLQ features can use the IP precedence bits.

IP Precedence Compared to IP DSCP Marking

If you need to mark packets in your network and all your devices support IP DSCP marking, use the IP DSCP marking to mark your packets because the IP DSCP markings provide more unconditional packet marking options. If marking by IP DSCP is undesirable, however, or if you are unsure if the devices in your network support IP DSCP values, use the IP precedence value to mark your packets. The IP precedence value is likely to be supported by all devices in the network.

You can set up to 8 different IP precedence markings and 64 different IP DSCP markings.

Conditional Marking of MPLS Experimental bits for L3VPN Traffic

The conditional marking of MPLS experimental bits is achieved for Layer 3 Virtual Private Network (L3VPN) traffic by applying a combination of ingress and egress policy-maps on the Provider Edge (PE) router. In the ingress policy-map, the qos-group or discard-class is set either based on the result of the policing action or implicitly. The egress policy-map matches on qos-group or discard-class and sets the mpls experiment bits to the corresponding value.

This feature is supported on both IPv4 and IPv6 traffic in the L3VPN network. Conditional marking can be used to mark the MPLS experimental bits differently for in-contract and out-of-contract packets. In-contract packets are the confirmed packets with the color green and discard-class set to 0. Out-of-contract packets are the packets which have exceeded the limit and have the color yellow and discard-class set to 1.

Conditional marking of MPLS experimental bits for L3VPN traffic is supported on both physical and bundle main interfaces as well as sub-interfaces.

Restrictions for Conditional Marking of MPLS Experimental bits on L3VPN

1. In the case of two PE routers connected back-to-back and the only label that the traffic between the routers have is the BGP label, then the explicit null label should be configured.
2. A maximum of three policy-maps which perform conditional marking of MPLS experimental bits can be configured per Network Processor Unit (NPU) of the Cisco NCS 5500 Series Routers.
3. In the ingress policy-map if qos-group is being set for the incoming traffic packets, then setting of dscp and mpls experimental bits will not work.
4. Both the ingress and egress policy-maps must be applied in order to attain the expected behaviour. If either one of them is not applied then it may lead to undefined behaviour.
5. If the egress policy-map does not match on qos-group or discard-class and set the mpls experiment bits to the required value, then the mpls experimental bits will be set to a value of zero, by default.

QoS DSCP Preservation

Table 13: Feature History Table

Feature Name	Release Information	Feature Description
QoS DSCP Preservation	Release 7.2.1	This feature is now also supported on routers that have the Cisco NC57 line cards installed and operate in the native mode.
QoS DSCP Preservation	Release 7.2.2	This feature is now also supported on routers that have the Cisco NC57 line cards installed and operate in the compatibility mode.

The DSCP value of the packet is preserved only for L3VPN networks when the packets are destined to the directly connected routes on the PE routers. To preserve the DSCP value for packets to destinations beyond the egress PE routers for L3VPN, you should use the **label mode per-vrf** command under the VRF at the PE routers. Similarly for MPLS networks, the default behaviour is uniform mode where the penultimate hop copies the MPLS EXP bit to IP DSCP and IP DSCP value is not preserved beyond the egress PE router. To preserve the IP DSCP value, you should use the **mpls ip-ttl-propagate disable** command at the penultimate hop.

DSCP value preservation is not supported on NC57-24DD and NC57-18DD-SE line cards for Cisco IOS XR Release 7.0.2.

QoS IP DSCP Preservation for SR-TE

Table 14: Feature History Table

Feature Name	Release Information	Feature Description
QoS IP DSCP Preservation for IPv6 SR-TE	Release 7.10.1	

Feature Name	Release Information	Feature Description
		<p>Introduced in this release on: NCS 5500 fixed port routers; NCS 5700 fixed port routers; NCS 5500 modular routers (NCS 5500 line cards; NCS 5700 line cards [Mode: Compatibility; Native])</p> <p>This release introduces the functionality to preserve IP DSCP markings for IPv6 SR-TE traffic and covers the following scenarios:</p> <ul style="list-style-type: none"> • For two or less than two topmost or imposition labels: when you set the MPLS experimental bits (EXP) values (also called Traffic Class values), the IP DSCP markings are now preserved by default in the ingress policies when the MPLS labels are pushed into the packet. • For more than three imposition labels: you must enable this functionality to preserve IP DSCP markings. <p>With preservation, traffic with IPv6 packets with DSCP marking for priority, flows as intended and there's no drop in traffic because of incorrect or missing labels.</p> <p>In previous releases, irrespective of the number of MPLS labels, when the EXP values were copied into the packet header during imposition, even the IP DSCP markings for IPv6 traffic were modified. This modification resulted in traffic drops at the next-hop routers in SR-TE tunnels.</p> <p>This feature introduces a new keyword, v6uc-enable, in the hw-module profile mpls-ext-dscp-preserve command.</p>

Feature Name	Release Information	Feature Description
QoS IP DSCP Preservation for SR-TE	Release 7.7.1	<p>In terms of preserving IP DSCP markings, this release covers two scenarios for SR-TE traffic:</p> <ul style="list-style-type: none"> • For two or less than two topmost or imposition labels: when you set the MPLS experimental bits (EXP) values (also called Traffic Class values), the IP DSCP markings are now preserved by default in the ingress policies when the MPLS labels are pushed into the packet. • For more than three imposition labels: you must enable this functionality to preserve IP DSCP markings. <p>With preservation, traffic with IP packets with DSCP marking for priority, flows as intended and there's no drop in traffic because of incorrect or missing labels.</p> <p>In previous releases, irrespective of the number of MPLS labels, when the EXP values were copied into the packet header during imposition, even the IP DSCP markings were modified. This modification resulted in traffic drops at the next-hop routers in SR-TE tunnels.</p> <p>This feature introduces the hw-module profile mpls-ext-dscp-preserve command.</p>

A typical ingress scenario for SR-TE traffic involves:

1. Specifying DSCP values as match criteria for a class map.
2. Identifying specific three-bit experimental bits (EXP) field values (also called Traffic Class or TC values, as per [RFC 5462](#)) in the topmost MPLS label as match criteria for the same class map.

When the MPLS labels are pushed (also called imposition) into the packet, the EXP values are copied into the EXP field in the packet header. At this stage, for SR-TE traffic, even the DSCP values that you set initially are modified, which could cause traffic drops at the next-hop router.

It is this behavior that the QoS DSCP preservation for SR-TE functionality mitigates. To enable this functionality, configure the **hw-module profile mpls-ext-dscp-preserve** command. This configuration ensures that the IP DSCP values are preserved for SR-TE traffic.



Note Ensure that you restart the router for the configuration to take effect.

Here's a quick look at what the QoS DSCP preservation for SR-TE functionality achieves.

Table 15: QoS DSCP Preservation for SR-TE and TI-LFA Scenarios

Scenario	What was happening in previous releases?	What's happening now?
SR-TE cases	Irrespective of the number of MPLS labels (1, 2, ... 12) for imposition, the push action modified IP DSCP values.	<ul style="list-style-type: none"> IP DSCP values are preserved by default for two or less than two MPLS labels. IP DSCP values are preserved for three or more labels only when you configure the hw-module profile mpls-ext-dscp-preserve command.
SR Topology-Independent Loop-Free Alternate (TI-LFA) cases	For three MPLS labels for imposition, the push action modified IP DSCP values.	Irrespective of the number of MPLS labels, IP DSCP values are preserved when you configure the hw-module profile mpls-ext-dscp-preserve command.

Guidelines and Limitations for QoS IP DSCP Preservation for SR-TE

- Disabling the propagation of IP Time-To-Live (TTL) to and from the MPLS header (using the **mpls ip-ttl-propagate** command) doesn't help preserve IP DSCP values for SR-TE traffic. This is because the IP TTL acts on the egress, while the DSCP preservation for SR-TE is for the ingress traffic.
- When you use the **on-demand steering** command to disable labeled services for SR-TE policies, your router supports 12 MPLS transport labels by default. With the QoS DSCP preservation for SR-TE functionality enabled, this default value changes to ten MPLS transport labels.
- By default, SR-TE (with steering services enabled) supports 2 service labels and 9 transport labels. This support changes to 2 service labels and 8 transport labels when you configure **hw-module profile mpls-ext-dscp-preserve**.
- This functionality doesn't work for SR-TE traffic associated with Binding Single-ID (BSID) policy paths. This is because packets with BSID labels get terminated, and new SR-TE labels get pushed, modifying the IP DSCP values. Thus, for BSID traffic (labeled traffic), disabling the propagation of IP TTL (using **mpls ip-ttl-propagate**) or configuring the **hw-module profile mpls-ext-dscp-preserve** command to enable QoS DSCP preservation for SR-TE doesn't help in IP DSCP preservation.

- This functionality isn't applicable for routers that have Cisco NC57 line cards installed and operating in native and compatibility modes. For these routers, DSCP preservation is by default, irrespective of the number of labels for both SR TI-LFA and SR-TE cases.
- The `hw-module profile sr-policy v6-null-label-autopush` and `hw-module profile mpls-ext-dscp-preserve` commands are mutually exclusive.

Configuration for QoS IP DSCP Preservation for SR-TE

Configuration Example

To configure QoS IP DSCP preservation for SR-TE:

1. Match the DSCP value for a class map. (See [match dscp](#) for command details.)

```
Router(config)#class-map
Router(config)#class-map match-any exp_policy
Router(config-cmap)#match dscp cs2
Router(config-cmap)#end-class-map
Router(config)#
```

2. Set the MPLS EXP value for the same map. (See [set mpls experimental](#) for command details.)

```
Router(config)#policy-map exp_policy
Router(config-pmap)#class exp_policy
Router(config-pmap-c)#set mpls experimental imposition 7
Router(config-pmap-c)#set traffic-class 7
Router(config-pmap-c)#commit
```

3. Apply the policy on the ingress interface.

```
Router(config)#interface TenGigE0/0/0/0
Router(config-if)#service-policy input exp_policy
Router(config-if)#ipv4 address 192.0.2.1 255.255.255.0
Router(config-if)#commit
```

4. Nexthop reachability for ingress traffic is through SR-TE Tunnels. To configure SR-TE policies, see *Configure SR-TE Policies* in the *Segment Routing Configuration Guide for Cisco NCS 5500 Series Routers*.

5. Configure the DSCP preservation for IPv4 or IPv6 SR-TE traffic and reload the chassis for the configuration to take effect.

```
Router#config
Router(config)#hw profile mpls-ext-dscp-preserve v4uc-enable
or
Router(config)#hw profile mpls-ext-dscp-preserve v6uc-enable
Router(config)#commit
Router(config)#exit
Router#reload location all
```

Running Configuration for IPv4 SR-TE Traffic

The following is the running configuration for DSCP preservation for IPv4 SR-TE traffic.

```
class-map
class-map match-any exp_policy
  match dscp cs2
end-class-map
!
```

```

policy-map
policy-map exp_policy
  class exp_policy
    set mpls experimental imposition 7
    set traffic-class 7
!

interface TenGigE0/0/0/0
service-policy input exp_policy
ipv4 address 192.0.2.1 255.255.255.0
!

  hw profile mpls-ext-dscp-preserve v4uc-enable
!

```

Running Configuration for IPv6 SR-TE Traffic

The following is the running configuration for DSCP preservation for IPv6 SR-TE traffic.

```

Class-map
Router#show run class-map
Tue Apr 18 20:30:51.077 UTC
class-map match-any dscp-preserve-cm
match dscp ipv6 0
  end-class-map
!

Policy-map
Router#show run policy-map
Tue Apr 18 20:31:08.077 UTC
policy-map dscp-preserve-pm
class dscp-preserve-cm
  set dscp 3
  set mpls experimental imposition 4
!
  class class-default
!
  end-policy-map
!

Policy-map attached to ingress interface:

interface HundredGigE0/0/0/10
service-policy input dscp-preserve-pm
ipv4 address 103.1.1.1 255.255.255.248
ipv6 address 2002::6701:101/125
!

```

Verification for IPv4 SR-TE Traffic

Verify that you have successfully configured DSCP preservation for IPv4 SR-TE traffic

Run the command **show controller fia diagshell 0 "config" location 0/0/cpu0 | i dscp** and in the output, verify that **custom_feature_dscp_preserve_with_extend_label** equals 1. The value is 1 only when the **hw profile mpls-ext-dscp-preserve v4uc-enable** command takes effect after router reload.

```

Router#show controller fia diagshell 0 "config" location 0/0/cpu0 | inc dscp_preserve
  custom_feature_dscp_preserve_with_extend_label_v6=1

```

Verification for IPv6 SR-TE Traffic

Verify that you have successfully configured DSCP preservation for IPv6 SR-TE traffic

Run the command **show controller fia diagshell 0 "config" location 0/0/cpu0 | inc dscp_preserve** and in the output, verify that **custom_feature_dscp_preserve_with_extend_label_v6** equals 1. The value is 1 only when the **hw profile mpls-ext-dscp-preserve v6uc-enable** command takes effect after router reload.

```
show controllers fia diagshell 0 "config show" location 0/1/CPU0 | include "dscp_preserve"
Sat Jun 24 01:25:13.883 UTC
  custom_feature_dscp_preserve_with_extend_label_v6=1
  custom_feature_dscp_preserve_outlif_bits_mask=3
  custom_feature_dscp_preserve_with_extend_label=1
```

QoS DSCP Preservation for mLDP

Table 16: Feature History Table

Feature Name	Release Information	Feature Description
QoS DSCP Preservation for mLDP	Release 7.7.1	<p>In terms of preserving IP DSCP markings, when you set the MPLS experimental bits (EXP) values (also called Traffic Class values), the IP DSCP markings are now preserved by default in the ingress policies when the MPLS labels are pushed into the packet.</p> <p>Traffic with IP packets with DSCP marking for priority, flows as intended and there's no drop in traffic because of incorrect or missing labels.</p> <p>In previous releases, irrespective of the MPLS label, when the EXP values were copied into the packet header during disposition, even the IP DSCP markings were modified. This modification resulted in traffic drops at the last-hop routers.</p>

A typical ingress scenario for mLDP traffic involves:

1. Specifying DSCP values as match criteria for a class map.
2. Identifying specific three-bit experimental bits (EXP) field values (also called Traffic Class or TC values, as per [RFC 5462](#)) in the MPLS label as match criteria for the same class map.

For MPLS networks, the default behaviour is uniform mode, where the MPLS labels are popped (disposition) at the end of the mLDP tunnel, the EXP values in the popped label is copied to the IP DSCP field, which causes the DSCP values that you set initially get modified. This modification causes traffic drops at the last-hop router.

It is this behavior that the QoS DSCP preservation for mLDP functionality mitigates.

From Cisco IOS XR Release 7.7.1 onwards, the QoS DSCP preservation for mLDP functionality is enabled by default when you bring up an edge router with mLDP profile configuration. Earlier, to help preserve IP DSCP values for mLDP traffic, you could disable the propagation of IP Time-To-Live (TTL) to and from the MPLS header by using the [mpls ip-ttl-propagate disable](#) command.

For more information on mLDP configuration, see the *Multicast MLDP Profile 14 support on an Edge Router* section in *Multicast Configuration Guide for Cisco NCS 5500 Series Routers*.

Configuration for QoS IP DSCP Preservation for mLDP

Configuration Example

To configure QoS IP DSCP preservation for mLDP:

1. Match the DSCP value for a class map. (See [match dscp](#) for command details.)

```
Router(config)#class-map
Router(config)#class-map match-any exp_policy
Router(config-cmap)#match dscp cs2
Router(config-cmap)#end-class-map
Router(config)#
```

2. Set the MPLS EXP value for the same map. (See [set mpls experimental](#) for command details.)

```
Router(config)#policy-map exp_policy
Router(config-pmap)#class exp_policy
Router(config-pmap-c)#set mpls experimental imposition 7
Router(config-pmap-c)#class class-default
Router(config-pmap-c)#commit
```

3. Apply the policy on the ingress interface.

```
Router(config)#interface TenGigE0/0/0/0
Router(config-if)#service-policy input exp_policy
Router(config-if)#ipv4 address 192.0.2.1 255.255.255.0
Router(config-if)#commit
```

4. Next-hop reachability for ingress traffic is through mLDP Tunnels. To configure mLDP, see the *Multicast MLDP Profile 14 support on an Edge Router* section in *Multicast Configuration Guide for Cisco NCS 5500 Series Routers*.

Running Configuration

```
class-map
class-map match-any exp_policy
  match dscp cs2
end-class-map
!

policy-map
policy-map exp_policy
  class exp_policy
    set mpls experimental imposition 7
  class class-default
!

interface TenGigE0/0/0/0
service-policy input exp_policy
ipv4 address 192.0.2.1 255.255.255.0
```

```
!
!
```

Verification

Run the command **show policy-map interface** and in the output, verify that in the ingress interface the traffic arrive with EXP value as **exp 4** and DSCP value as **cs6**. At egress, the DSCP value remains same as **cs6**.

```
RP/0/RP0/CPU0:ios#sh policy-map interface te0/0/0/0 input
Thu Jan  6 23:42:36.039 UTC

TenGigE0/0/0/0 input: exp_policy

Class exp_policy
  Classification statistics          (packets/bytes)      (rate - kbps)
  Matched                          :          86601328/1108496984      821764
  Transmitted                       :          86601328/1108496984      821764
  Total Dropped                     :                   0/0              0
Class class-default
  Classification statistics          (packets/bytes)      (rate - kbps)
  Matched                          :           2347/300416              0
  Transmitted                       :           2347/300416              0
  Total Dropped                     :                   0/0              0
Policy Bag Stats time: 1641512538846 [Local Time: 01/06/22 23:42:18.846]
RP/0/RP0/CPU0:ios#
```

Verify the DSCP value of cs6 (represented as 6C) in the IPv6 traffic:

```
IPv6 traffic
68 2C 7B 84 58 4B 00 8A 96 0D 40 44 88 47 05 DC C9 3E 6C 00 00 00 00 46 3B 3F
00 77 00 00 00 00 00 00 00 00 00 00 00 00 09 FF 33 00 00 00 00 00 00 00 00 00 00
00 08 06 10 71 CF 38 A2 D3 70 49 78 69 61 60 00 00 00 10 11 12 13 E0 EC 18 77 00 2A 1A 1B
1C 1D 1E 1F 20 21 22 23 24 25 26 27 28 29 2A 2B 2C 2D 2E 2F 30 31 32 33 34 35 36 37 38 39
3A 3B 3C 3D 3E 3F 40 41 42 43 FB 2A
```

Policy-map for conditional marking of incoming IPv4 and IPv6 traffic

The incoming packets are classified based on the ingress policy-map and the following actions are done.

- Set qos-group
- Discard class or drop precedence is set implicitly or as a result of a policing action.
- Packets that violate the configured policer are dropped in the ingress processing itself.

Running Configuration:

```
policy-map ingress
class af11
  police rate percent 10 peak-rate percent 20
  !
  set qos-group 1
  !
class af22
  police rate percent 30 peak-rate percent 50
  !
  set qos-group 2
  !
class af32
  set qos-group 3
  police rate percent 30 peak-rate percent 60
  !
```

```

!
class class-default
!
end-policy-map
!

```

Policy-map for conditional marking of outgoing MPLS traffic

The IPv4 or IPv6 ingress packet undergoes MPLS encapsulation during the egress processing in the PE router which performs the label imposition. The MPLS experimental bits are marked on the basis of egress policy-map which performs the following actions:

- Match on qos-group or discard class or both
- Set the MPLS experimental bits based on the match criteria

Running Configuration:

```

policy-map egress
class qos1_disc0 # This class matches on qos-group 1 and discard-class 0
  set mpls experimental imposition 1
!
class qos1_disc1 # This class matches on qos-group 1 and discard-class 1
  set mpls experimental imposition 5
!
class qos2_disc0 # This class matches on qos-group 2 and discard-class 0
  set mpls experimental imposition 2
!
class qos2_disc1 # This class matches on qos-group 2 and discard-class 1
  set mpls experimental imposition 6
!
class qos3_disc0 # This class matches on qos-group 3 and discard-class 0
  set mpls experimental imposition 3
!
class qos3_disc1 # This class matches on qos-group 3 and discard-class 1
  set mpls experimental imposition 7
!
class class-default
!
end-policy-map
!

```

Conditional Marking of MPLS Experimental bits for L2VPN Traffic



Note This feature is not available on NC57-24DD and NC57-18DD-SE line cards for Cisco IOS XR Release 7.0.2.

Conditional marking of MPLS EXP bits is supported on Virtual Private Wire Service (VPWS), Virtual Private LAN Service (VPLS) and Ethernet Virtual Private Network (EVPN) traffic in the L2VPN network.

The conditional marking of MPLS experimental bits is achieved for Layer 2 Virtual Private Network (L2VPN) traffic by applying a combination of ingress and egress policy-maps on the Provider Edge (PE) router. In the ingress policy-map, the qos-group or discard-class is set either based on the result of the policing action or implicitly. The egress policy-map matches on qos-group or on a combination of qos-group and discard-class and sets the mpls experiment bits to the corresponding value.

Conditional marking can be used to mark the MPLS experimental bits differently for in-contract and out-of-contract packets. In-contract packets are the confirmed packets with the color green and discard-class set to 0. Out-of-contract packets are the packets which have exceeded the limit and have the color yellow and discard-class set to 1.

Conditional marking of MPLS experimental bits for L2VPN traffic is supported on both physical and bundle main interfaces as well as sub-interfaces.

Restrictions for Conditional Marking of MPLS Experimental bits on L2VPN

1. Conditional marking of MPLS EXP bits is not supported for broadcast, unknown unicast and multicast (BUM) traffic.
2. In the case of two PE routers connected back-to-back and the only label that the traffic between the routers have is the BGP label, then the explicit null label should be configured.
3. A maximum of two policy-maps which perform conditional marking of MPLS experimental bits can be configured per Network Processor Unit (NPU) of the Cisco NCS 5500 Series Routers. However, the same policy can be applied on multiple interfaces on the same NPU.
4. In the ingress policy-map if qos-group is being set for the incoming traffic packets, then setting of dscp and mpls experimental bits will not work.
5. Both the ingress and egress policy-maps must be applied in order to attain the expected behaviour. If either one of them is not applied then it may lead to undefined behaviour.
6. If the egress policy-map does not match on qos-group or discard-class and set the mpls experiment bits to the required value, then the mpls experimental bits will be set to a value of zero, by default.

Policy-map for conditional marking of incoming traffic

The incoming packets on the Power Edge router are classified based on the ingress policy-map and these actions are taken.

- Set qos-group
- Discard class or drop precedence is set implicitly or as a result of a policing action.
- Set traffic class
- Packets that violate the configured policer are dropped in the ingress processing itself.

Running Configuration:

```
class-map af11
  match cos 1
!

policy-map ingress
  class af11
    police rate percent 10 peak-rate percent 20
    !
    set qos-group 1
    set Traffic-class 3
  !
  class class-default
  !
```

```
end-policy-map
!
```

Policy-map for conditional marking of outgoing MPLS traffic

The ingress packet undergoes MPLS encapsulation during the egress processing in the PE router which performs the label imposition. The MPLS experimental bits are marked on the basis of egress policy-map which performs the following actions:

- Match on qos-group or discard class or both
- Set the MPLS experimental bits based on the match criteria

Running Configuration:

```
class-map match-all qos-group2_0
  match qos-group 2
  match discard-class 0

policy-map egress-marking
  class qos-group2_0 # This class matches on qos-group 2 and discard-class 0
    set mpls experimental imposition 1
  !
  class class-default
  !
end-policy-map
!
policy-map Egress-Queuing
  class Traffic-class3
    shape average 500 mbps
  !
  class class-default
  !
end-policy-map
!
```

Conditional Marking of MPLS Experimental Bits for EVPN-VPWS Single-Homing Services

Table 17: Feature History Table

Feature Name	Release Information	Feature Description
Conditional Marking of MPLS Experimental Bits for EVPN-VPWS Single-Homing Services	Release 7.3.1	<p>This feature enables you to differentiate traffic in the MPLS forwarding domain and manage traffic from ingress PE to egress PE based on the MPLS EXP bit of the MPLS header.</p> <p>This feature is supported only for EVPN-VPWS single-homing services, and not supported for EVPN-VPWS multi-homing services.</p>

The conditional marking of MPLS experimental bits is achieved for EVPN-VPWS single-homing services by applying a combination of ingress and egress policy-maps on the provider edge (PE) router. In the ingress

policy-map, the qos-group or discard-class is set either based on the result of the policing action or implicitly. The egress policy-map matches on qos-group or on a combination of qos-group and discard-class and sets the MPLS experiment bits to the corresponding value.

Conditional marking can be used to mark the MPLS experimental bits differently for in-contract and out-of-contract packets. In-contract packets are the confirmed packets with the color green and discard-class set to 0. Out-of-contract packets are the packets that have exceeded the limit and have the color yellow and discard-class set to 1.

Conditional marking of MPLS experimental bits for EVPN-VPWS single-homing services are supported on both physical and bundle main interfaces as well as sub-interfaces.

MPLS EXP Marking for EVPN Multi-Homed Services

Table 18: Feature History Table

Feature Name	Release Information	Feature Description
MPLS EXP Marking for EVPN Multi-Homed Services	Release 7.6.1	You can now differentiate traffic in the MPLS forwarding domain and manage traffic from ingress PE to egress PE based on the MPLS EXP bit of the MPLS header for EVPN multi-home scenarios.



Note This feature is not supported on routers that have the Cisco NC57 line cards installed and operate in the native mode or compatibility mode.

Configuration

- The ingress policing is applied on the UNI interface. It is with set qos-group and set traffic class.
- The marking policy is applied at the core facing NNI interface.
- MPLS EXP imposition is marked while packets egress from NNI Interface.

Running Configuration

```
interface TenGigE0/0/0/2.203 l2transport => This is UNI
encapsulation dot1q 203
service-policy input pol150-100

interface TenGigE0/0/0/10 =====> This is the core NNI
description *** CORE IF ***
cdp
service-policy input in_mpls
service-policy output eg_mark
ipv4 address 192.18.44.18 255.255.255.0
ipv6 address 2005:18:44::18/48
lldp
  enable
!
monitor-session test ethernet direction tx-only port-level
!
```

```

load-interval 30
!
l2vpn
xconnect group 203
  p2p 203
    interface TenGigE0/0/0/2.203
      neighbor evpn evi 1 service 203

policy-map pol150-100
class class-default
  set traffic-class 2
  set qos-group 4
  police rate 50 mbps peak-rate 100 mbps
!
!
end-policy-map
!

policy-map eg_mark
class qg4dc0
  set mpls experimental imposition 2
!
class qg4dc1
  set mpls experimental imposition 3
!
class class-default
!
end-policy-map
!
class-map match-all qg4dc0
match qos-group 4
match discard-class 0
end-class-map
!

class-map match-all qg4dc1
match qos-group 4
match discard-class 1
end-class-map

```

Verification

Verify that you have configured conditional marking of MPLS experimental bits for EVPN-VPWS single-homing services successfully.

```

Router#show qos int tenGigE 0/0/0/2.101 input
NOTE:- Configured values are displayed within parentheses
Interface TenGigE0/0/0/2.101 ifh 0x41da -- input policy
NPU Id: 0
Total number of classes: 1
Interface Bandwidth: 10000000 kbps
Policy Name: pol150-100
Accounting Type: Layer1 (Include Layer 1 encapsulation and above)
-----
Levell1 Class = class-default
New traffic class = 2
New qos group = 4

Policer Bucket ID = 0x18
Policer Stats Handle = 0x0
Policer committed rate = 49219 kbps (50 mbits/sec)
Policer peak rate = 98438 kbps (100 mbits/sec)
Policer conform burst = 62336 bytes (default)

```

```

Policer exceed burst                               = 187008 bytes (default)
-----

Router#show qos int tenGigE 0/0/0/10 output
Tue Sep 1 04:18:27.508 UTC
NOTE:- Configured values are displayed within parentheses
Interface TenGigE0/0/0/10 ifh 0xe0 -- output policy
NPU Id:                                           0
Total number of classes:                         3
Interface Bandwidth:                             10000000 kbps
Policy Name:                                     eg_mark
VOQ Base:                                        0
Accounting Type:                                 Layer1 (Include Layer 1 encapsulation and above)
-----

Level1 Class                                     = qg4dc0
New imposition exp                               = 2
Queue Max. BW.                                  = no max (default)
Queue Min. BW.                                  = 0 kbps (default)
Inverse Weight / Weight                         = 0 / (BWR not configured)

Level1 Class                                     = qg4dc1
New imposition exp                               = 3
Queue Max. BW.                                  = no max (default)
Queue Min. BW.                                  = 0 kbps (default)
Inverse Weight / Weight                         = 0 / (BWR not configured)

Level1 Class                                     = class-default
Queue Max. BW.                                  = no max (default)
Queue Min. BW.                                  = 0 kbps (default)
Inverse Weight / Weight                         = 0 / (BWR not configured)
-----

```

Classifying Packets Based On MPLS Experimental Bits in MPLS Over GRE

Table 19: Feature History Table

Feature Name	Release Information	Feature Description
Classifying Packets Based On MPLS Experimental Bits in MPLS Over GRE	Release 7.5.2 Release 7.3.4	<p>For MPLS over GRE scenarios that tunnel MPLS traffic over non-MPLS networks, you can now perform QoS classification for specific traffic or applications based on MPLS EXP bit field values in the MPLS header.</p> <p>In earlier releases, you could perform QoS classification only in the outer GRE IP header using DiffServ Code Point (DSCP) or IP precedence bits that helped you achieve the required line rate minus the granularity.</p> <p>This feature introduces the hw-module profile qos gre-exp-classification-enable command.</p>

You can now perform QoS classification based on the MPLS header that the GRE IP header encapsulates in a single-pass GRE scenario. This classification takes place on the MPLS labels (specifically the experimental bits or EXP) in the MPLS header after the GRE is decapsulated using Policy-Based Routing (PBR). Because the MPLS labels identify specific customer traffic and applications, the classification is more granular. As the traffic moves along the single-pass GRE, the POP tag removes the MPLS header, and the outgoing traffic with QoS classification has the inner IP header. (Also, see [Terms Used for Classifying Packets Based On MPLS Experimental Bits in MPLS Over GRE](#).)

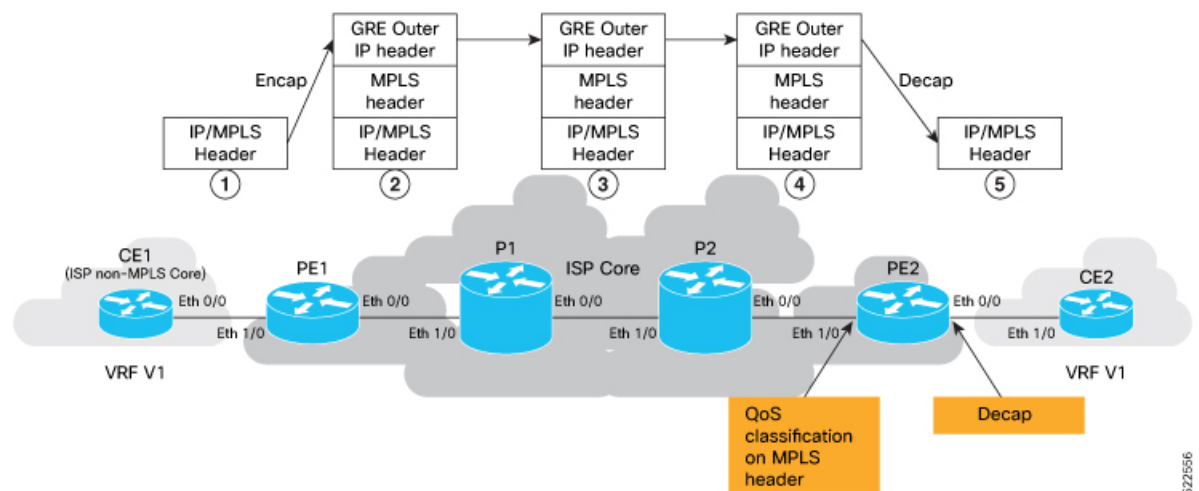
To enable QoS classification on the inner MPLS header, run the command `hw-module profile qos gre-exp-classification-enable`.



Note Ensure that you reload the line card for this command to take effect. If you don't reload the line card, QoS classification will continue on the outer GRE IP header with DSCP or IP precedence marking.

To understand how this functionality works, see the figure **QoS Classification on Inner MPLS Header for MPLS over GRE**.

Figure 3: QoS Classification on Inner MPLS Header for MPLS over GRE



1. The MPLS packet approaches the beginning of the GRE tunnel. The GRE tunnel is configured across a non-MPLS network on the provider edge (PE) devices, PE1 and PE2, which are at either end of the tunnel.
2. GRE encapsulation is added at tunnel entry point.
3. The MPLS packet traverses the non-MPLS network, where only the outer IP header is parsed by routers.
4. When the packet reaches the ingress interface (Eth 1/0) on router PE2, QoS classification is performed based on MPLS EXP bits. Before the packet reaches the egress interface (Eth 0/0) of PE2, the outer GRE header is removed.
5. The packet with the MPLS header now travels toward its ultimate destination to CE2.

Behavioral Specifications

- This feature is supported only in scenarios where you enable GRE single-pass. (You configure the **tunnel mode gre ipv4 encap** command in GRE single-pass. See [Set Up and Configuration for QoS Classification on MPLS Header](#), on page 82.)
- To preserve the inner DSCP markings and IP Time-to-Live (TTL) values, you must disable the propagation of IP Time-to-Live (TTL) to and from the MPLS header for forwarded and local packets. See [mpls ip-ttl-propagate](#).

Restrictions

This feature isn't supported on routers that have Cisco NC57 line cards installed and operate in the native and compatibility mode.

Set Up and Configuration for QoS Classification on MPLS Header

This section describes the configuration details for QoS classification on the MPLS header in a single pass GRE tunnel per the [Figure QoS Classification on Inner MPLS Header for MPLS over GRE](#).

Configuration for PE1 (encap node) where you:

- enable GRE single-pass.
- assign the GRE tunnel source and destination addresses.
- assign IPv4 addresses for PE1 and PE2.

```
Router(config)#interface tunnel-ip_intf1
Router(config-if)#ipv4 address 203.0.113.1 255.255.255.252
Router(config-if)#tunnel mode gre ipv4 encap
Router(config-if)#tunnel source 13.1.1.1
Router(config-if)#tunnel destination 11.1.1.1
Router(config-if)#root
Router(config)#interface Eth 1/0
Router(config-if)#ipv4 address 209.165.201.1 255.255.255.224
Router(config-if)#exit
Router(config-if)#interface Eth 0/0
Router(config-if)#ipv4 address 198.51.100.1 255.255.255.0
Router(config-if)#commit
```

Configuration for intermediate hop router (P1) where you configure the forwarding addresses for packets.

```
Router(config)#interface Eth1/0
Router(config-if)#ipv4 address 198.51.100.2 255.255.255.0
Router(config-if)#root
Router(config)#
Router(config)#interface Eth0/0
Router(config-if)#ipv4 address 203.0.113.1 255.255.255.0
Router(config-if)#root
Router(config)#commit
```

Configuration for intermediate hop router (P2) where you configure the forwarding addresses for packets.

```
Router(config)#interface Eth1/0
Router(config-if)#ipv4 address 203.0.113.2 255.255.255.0
Router(config-if)#root
Router(config)#
Router(config)#interface Eth0/0
Router(config-if)#ipv4 address 192.0.2.1 255.255.255.0
```

```
Router(config-if)#root
Router(config)#commit
```

Configuration for PE2 (decap node) where you:

- disable TTL to preserve the IP header DSCP and TTL.
- configure **hw-module profile qos gre-exp-classification-enable**.



Note Ensure that you reload the line card for this command to take effect. If you don't reload the line card, QoS classification will continue on the outer GRE IP header with DSCP or IP precedence marking. We recommend that you use the **hw-module location all reload** command in Sysadmin VM.

- configure MPLS EXP bits, class-map, and the policy-map before decapsulation.

```
Router(config)#mpls ip-ttl-propagate disable
Router(config)# hw-module profile qos gre-exp-classification-enable
NOTE:To activate this profile, you must manually reload the chassis/all line cards
Router(config)#
#reload the device to get effect of qos gre-exp-classification
/*We recommend that you use the hw-module location all reload command in Sysadmin
VM*/
Router#admin
root connected from 192.0.108.4 using ssh on sysadmin-vm:0_RP0
sysadmin-vm:Router#hw-module location all reload
!

/*After reloading, configure MPLS exp bits, class-map, and the policy-map*/
Router(config)#class-map match-any exp1
Router(config-cmap)#match mpls experimental topmost 1
Router(config-cmap)#end-class-map
Router(config)#class-map match-any exp2
Router(config-cmap)#match mpls experimental topmost 2
Router(config-cmap)#end-class-map
Router(config)#class-map match-any cs1
Router(config-cmap)#match dscp cs1
Router(config-cmap)#end-class-map
Router(config)#policy-map gre-ip_in
Router(config-pmap)#class exp1
Router(config-pmap-c)#set traffic-class 1
Router(config-pmap-c)#exit
Router(config-pmap)#class exp2
Router(config-pmap-c)#set traffic-class 2
Router(config-pmap-c)#exit
Router(config-pmap)#class class-default
Router(config-pmap-c)#exit
Router(config-pmap)#end-policy-map
Router(config)#
Router(config)#interface Eth0/0
Router(config-if)#service-policy input gre-ip_in
Router(config-if)#ipv4 address 192.0.2.2 255.255.255.0
Router(config-if)#load-interval 30
Router(config)#
Router(config)#interface Eth1/0
Router(config-if)#ipv4 address 209.165.202.129 255.255.255.224
Router(config-if)#load-interval 30
Router(config-if)#root
Router(config-if)#commit
```

Running Configuration

```

interface tunnel-ip_intf1
  ipv4 address 203.0.113.1 255.255.255.252
  tunnel mode gre ipv4 encap
  tunnel source 13.1.1.1
  tunnel destination 11.1.1.1
!
interface Eth 1/0
  ipv4 address 209.165.201.1 255.255.255.224
!

interface Eth 0/0
  ipv4 address 198.51.100.1 255.255.255.0
!
!

/*Configuration for intermediate hop router (P1)*/
interface Eth1/0
  ipv4 address 198.51.100.2 255.255.255.0
!

interface Eth0/0
  ipv4 address 203.0.113.1 255.255.255.0
!
!

/*Configuration for intermediate hop router (P2)*/
interface Eth1/0
  ipv4 address 203.0.113.2 255.255.255.0
!
interface Eth0/0
  ipv4 address 192.0.2.1 255.255.255.0
!
!
mpls ip-ttl-propagate disable
hw-module profile qos gre-exp-classification-enable
reload loc all
class-map match-any exp1
  match mpls experimental topmost 1
  end-class-map
!
class-map match-any exp2
  match mpls experimental topmost 2
  end-class-map
!
class-map match-any cs1
  match dscp cs1
  end-class-map
!
policy-map gre-ip_in
  class exp1
    set traffic-class 1
!
class exp2
  set traffic-class 2
!

```

```

class class-default
!
end-policy-map
!
interface Eth0/0
 service-policy input gre-ip_in
 ipv4 address 192.0.2.2 255.255.255.0
 load-interval 30
!
interface Eth1/0
 ipv4 address 209.165.202.129 255.255.255.224
 load-interval 30
!

```

Verification

Run the **show policy-map** command on PE2 (decapsulation node) to view the classification statistics that confirm QoS classification is on the MPLS header.

```

Router#show policy-map int Eth1/0
Eth1/0 input: gre-ip_in

Class exp1
  Classification statistics      (packets/bytes)  (rate - kbps)
  Matched                      : 55436316/8426320032  504105
  Transmitted                   : 55436316/8426320032  504105
  Total Dropped                 : 0/0                0
Class exp2
  Classification statistics      (packets/bytes)  (rate - kbps)
  Matched                      : 55436286/8426315472  504105
  Transmitted                   : 55436286/8426315472  504105
  Total Dropped                 : 0/0                0
Class class-default
  Classification statistics      (packets/bytes)  (rate - kbps)
  Matched                      : 0/0                0
  Transmitted                   : 0/0                0
  Total Dropped                 : 0/0                0
Policy Bag Stats time: 1648011883484

```

When you don't enable QoS classification on the MPLS header, the **show policy-map** command on PE2 (decapsulation node) confirms that the classification is IP precedence (under **class-default**).

```

Router#show policy-map int Eth1/0
Eth1/0 input: gre-ip_in

Class exp1
  Classification statistics      (packets/bytes)  (rate - kbps)
  Matched                      : 0/0                0
  Transmitted                   : 0/0                0
  Total Dropped                 : 0/0                0
Class exp2
  Classification statistics      (packets/bytes)  (rate - kbps)
  Matched                      : 0/0                0
  Transmitted                   : 0/0                0
  Total Dropped                 : 0/0                0
Class class-default
  Classification statistics      (packets/bytes)  (rate - kbps)
  Matched                      : 108028694/16420361488  1008187
  Transmitted                   : 108028694/16420361488  1008187
  Total Dropped                 : 0/0                0
Policy Bag Stats time: 1648013053478

```

Terms Used for Classifying Packets Based On MPLS Experimental Bits in MPLS Over GRE

Generic Routing Encapsulation (GRE)

A protocol used to encapsulate packets, GRE is useful when you need to transport packets across an unsupported network protocol, say IPv6 packets across an IPv4 network. In this case, IPv6 packets are encapsulated or wrapped around by packets that support the protocol (IPv4) and transported across the network. This is akin to cars being transported across oceans (unsupported protocol for cars) on cargo ships (the ocean being the supported protocol for the ships).

GRE Tunneling

The encapsulation of packets within other packets is called GRE tunneling. Here, if packets are to be transported from one router to another without any additional processing by intermediate routers and devices, you can configure a GRE tunnel between the two routers. As the packets flow across the network, the intermediate routers read the forwarding information on the packet headers and send them to their next hop. This is similar to the cars now being transported on a cargo truck on land, passing through a tunnel to reach the other end of the road faster, with no other action taking place on the cars as they are carried on the truck inside the tunnel. Without the tunnel, transport across this route would be impossible, akin to an unsupported network between the two ends of the GRE tunnel.

GRE Headers

Each packet consists of the payload—the actual packet content—and an IP header that contains information critical for the packet transportation: the source address, the destination address, packet number, packet length, and so on.

As with other network protocols, GRE adds its own headers to the packets: the GRE header that shows the protocol used by the encapsulated packet (the cars, in our preceding example) and an outer IP header that wraps the encapsulated packet's payload and IP header. A GRE header thus has two IP headers.

MPLS over GRE

A mechanism for tunneling MPLS packets over non-MPLS networks by creating a GRE tunnel across a non-MPLS network. The MPLS packets are encapsulated within the GRE tunnel packets, and the encapsulated packets traverse the non-MPLS network through the GRE tunnel. When GRE tunnel packets reach the other side of the non-MPLS network, the GRE tunnel packet header is removed and the inner MPLS packet is forwarded to its final destination.

QPPB

QoS Policy Propagation via BGP (QPPB) is a mechanism that allows propagation of quality of service (QoS) policy and classification by the sending party that is based on the following:

- Access lists
- Community lists
- Autonomous system paths in the Border Gateway Protocol (BGP)

Thus, helps in classification that is based on the destination address instead of the source address.

QoS policies that differentiate between different types of traffic are defined for a single enterprise network. For instance, one enterprise may want to treat important web traffic, not-important web traffic, and all other data traffic as three different classes. And thereafter, use the different classes for the voice and video traffic.

Hence, QPPB is introduced to overcome the following problems:

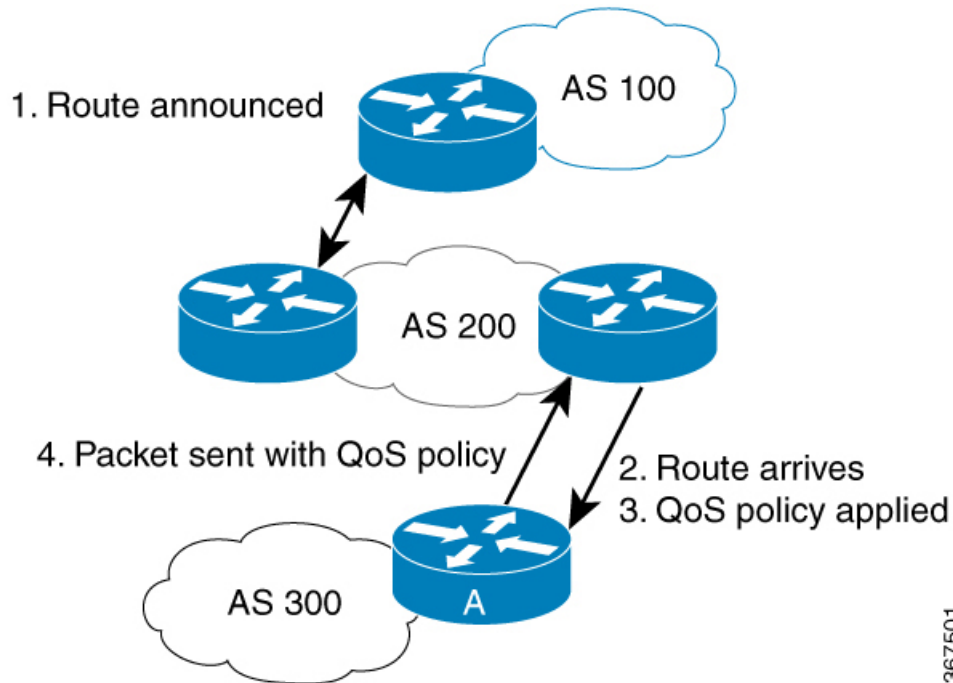
- The administrative challenges of classifying that is based on ACLs.
- The administrative problems of just listing the networks that need premium services.

QPPB allows marking of packets that are based on QoS group value associated with a Border Gateway Protocol (BGP) route.

Benefits of QPPB

- QPPB provides an IP prefix-based QoS capability.
- Traffic to IP addresses that have specific IP prefixes can be prioritized above other IP addresses.
- IP prefixes of interest are tagged through the control plane that uses common BGP route-map techniques, including the community attribute.
- Traffic to the tagged BGP prefixes is then classified and prioritized via the data forwarding plane by using the IOS-XR MQC (Modular QoS CLI) mechanisms, such as re-marking.
- QPPB provides the glue between the BGP control plane and the IP data forwarding plane in support of IP prefix-based QoS.
- BGP configuration within QPPB uses a table map to match specific prefixes learned through BGP neighbors, and then sets the router's local QoS Group variable maintained within the Forwarding Information Base (FIB) for those specific prefixes.
- The router supports a subset of full QPPB options - only IP destination prefix mode on input policy is supported.

Figure 4: Sample Scenario



367501

Router A learns routes from AS 200 and AS 100. QoS policy is applied to any ingress interface of Router A to match the defined route maps with destination prefixes of incoming packets. Matching packets on Router A to AS 200 or AS 100 are sent with the appropriate QoS policy from Router A.

BGP maintains a scalable database of destination prefixes, QPPB, by using BGP table maps. BGP adds the ability to map a qos-group value to desired IP destinations. These qos-group values are used in QOS policies applied locally on ingress interfaces. Whenever a packet bound for such destinations is encountered, the qos-group value matching that destination route looks up with work inside the policy classmap, and marks that packet for any configured policy actions.

QPPB: Guidelines and Limitations

- QPPB is supported only on the -SE variants of NCS 5700-line card-based routers and the following -SE variants of NCS 5500-line card-based routers:
 - NCS-55A1-36H-SE-S
 - NCS-55A2-MOD-SE-H-S
 - NCS-55A2-MOD-SE-S
 - NC55-36x100G-A-SE
 - NC55-MOD-A-SE-S
- QPPB doesn't work for /32 IPv4 prefixes on NCS 5500 line card-based routers when you enable the **hw-module fib mpls label lsr-optimized** profile.
- You must configure the **hw-module profile qos ipv6 short** command for QPPB to work with IPv6 address families and packets.

- When you enable the peering mode (using the `hw-module profile qos ingress-model peering` command), the QPPB feature doesn't work.

Configuration Workflow

Use the following configuration workflow for QPPB:

- Define route policy.
- Put Route policy at table-policy attach point under BGP.
- Define classmaps and ingress policy to use the qos-groups that are used in table-policy.
- Enable ipv4/ipv6 QPPB configuration under the desired interfaces.
- Configure the QPPB hardware profile, *hw-module profile qos ipv6 short*.
- If you use ipv6 QPPB, you must reload that linecard. If you use only ipv4 QPPB, linecard reload is not mandatory.

Define route policy

A routing policy instructs the router to inspect routes, filter them, and potentially modify their attributes as they are accepted from a peer, advertised to a peer, or redistributed from one routing protocol to another.

The routing policy language (RPL) provides a language to express routing policy. You must set up destination prefixes either to match inline values or one of a set of values in a prefix set.

Example:

```
prefix-set prefix-list-v4
  70.1.1.1,
  70.2.1.0/24,
  70.2.2.0/24 ge 28,
  70.2.3.0/24 le 28
end-set
prefix-set prefix-list-v6
  2001:300::2,
  2003:200::3
end-set

route-policy qppb1
  if destination in (60.60.0.2) then
    set qos-group 5
  elseif destination in prefix-list-v4 then
    set qos-group 4
  else
    set qos-group 1
  pass
endif
end-policy
```

For NC57 line cards, the set qos-group value under the route policy for QPPB support is 0-15. Even though the set qos-group value option displays supported values <0-31> as show below, the configuration fails for any value above 15 for NC57 line cards.

```
RP/0/RP0/CPU0:Fretta(config-rpl-if)#set qos-group ?
<0-31>      decimal number
```

Put Route policy at table-policy attach point under BGP

The table-policy attach point permits the route policy to perform actions on each route as they are installed into the RIB routing table. QPPB uses this attachment point to intercept all routes as they are received from peers. Ultimately the RIB will update the FIB in the hardware forwarding plane to store destination prefix routing entries, and in cases where table policy matches a destination prefix, the qos-group value is also stored with the destination prefix entry for use in the forwarding plane.

Example:

```
router bgp 900
  [vrf <name>]
  bgp router-id 22.22.22.22
  address-family ipv4 unicast
    table-policy qppb1
  address-family ipv6 unicast
    table-policy qppb2
  neighbor 30.2.2.1
    remote-as 500
    address-family ipv4 unicast
      route-policy pass in
      route-policy pass out
    address-family ipv6 unicast
      route-policy pass in
      route-policy pass out
```

Ingress interface QOS and ipv4/ipv6 bgp configuration

QPPB would be enabled per interface and individually for V4 and V6. An ingress policy would match on the qos groups marked by QPPB and take desired action.

If a packet is destined for a destination prefix on which BGP route policy has stored a qos-group, but it ingresses on an interface on which qppb is not enabled, it would not be remarked with qos-group.

Earlier, router supported matching on qos-group only in peering profile 'hw-module profile qos ingress-model peering location <>'. QPPB now permits classmaps to match qos-group in the default "non peering mode qos" as well. Also QPPB and hierarchical QOS policy profiles can work together if Hqos is used.

Example:

```
class-map match-any qos-group5
  match qos-group 5
end-class-map

class-map match-any qos-group4
  match qos-group 4
end-class-map

policy-map ingress-marker-pol
  class qos-group5
    set precedence 0
    set discard-class 0
    set traffic-class 1

  class qos-group4
    set precedence 1
    set discard-class 1
    set traffic-class 2
  class class-default

end-policy-map
```

Configuring QPPB on an Interface

1. RP/0/RP0/CPU0:router # configure
Enters interface configuration mode and associates one or more interfaces to the VRF.
2.
RP/0/RP0/CPU0:router(config)# interface
type interface-path-id
Enters interface configuration mode and associates one or more interfaces to the VRF.
3. **ipv4 | ipv6 bgp policy propagation inputqos-groupdestination**
Example:

RP/0/RP0/CPU0:router(config-if)# ipv4 bgp policy propagation input qos-group destination

Enables QPPB on an interface
4. commit

Egress Interface Configuration

The traffic-class set on ingress has no existence outside the device. Also, traffic-class is not a part of any packet header but is associated internal context data on relevant packets. It can be used as a match criteria in an egress policy to set up various fields on the outgoing packet or shape flows.

Restrictions:

- No IP precedence marking.
- No policing on egress policy.

```
class-map match-any level1
  match traffic-class 1
end-class-map

class-map match-any level2
  match traffic-class 2
end-class-map

policy-map output-pol
  class level1
    bandwidth percent 50
  class level2
    bandwidth percent 20
    queue-limit 50 ms
end-policy-map

interface hun 0/5/0/0
  ipv4 address 30.1.1.1/24
  ipv6 address 2001:da8:b0a:12f0::1/64
  service-policy output output-pol
```

