



Implementing MPLS Layer 3 VPNs

A Multiprotocol Label Switching (MPLS) Layer 3 Virtual Private Network (VPN) consists of a set of sites that are interconnected by means of an MPLS provider core network. At each customer site, one or more customer edge (CE) routers attach to one or more provider edge (PE) routers.

This module provides the conceptual and configuration information for MPLS Layer 3 VPNs on router.

This chapter includes topics on:

- [MPLS L3VPN Overview, on page 1](#)
- [Configure the Core Network, on page 6](#)
- [Verify MPLS L3VPN Configuration, on page 12](#)
- [L3VPN over RSVP-TE, on page 15](#)
- [VRF-lite, on page 16](#)
- [MPLS L3VPN Services using Segment Routing, on page 20](#)
- [Inter-AS Support for L3VPN, on page 24](#)
- [Inter-AS Option B for L3VPN, on page 32](#)
- [Carrier Supporting Carrier for L3VPN, on page 54](#)
- [CSC Benefits, on page 56](#)
- [Configure Carrier Supporting Carrier for L3VPN, on page 57](#)

MPLS L3VPN Overview

Before defining an MPLS VPN, VPN in general must be defined. A VPN is:

- An IP-based network delivering private network services over a public infrastructure
- A set of sites that are allowed to communicate with each other privately over the Internet or other public or private networks

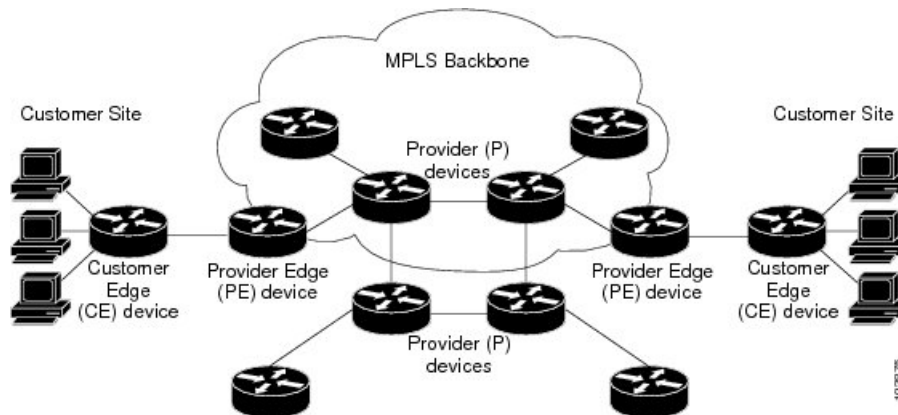
Conventional VPNs are created by configuring a full mesh of tunnels or permanent virtual circuits (PVCs) to all sites in a VPN. This type of VPN is not easy to maintain or expand, as adding a new site requires changing each edge device in the VPN.

MPLS-based VPNs are created in Layer 3 and are based on the peer model. The peer model enables the service provider and the customer to exchange Layer 3 routing information. The service provider relays the data between the customer sites without customer involvement.

MPLS VPNs are easier to manage and expand than conventional VPNs. When a new site is added to an MPLS VPN, only the edge router of the service provider that provides services to the customer site needs to be updated.

The following figure depicts a basic MPLS VPN topology.

Figure 1: Basic MPLS VPN Topology



These are the basic components of MPLS VPN:

- Provider (P) router—Router in the core of the provider network. P routers run MPLS switching and do not attach VPN labels to routed packets. VPN labels are used to direct data packets to the correct private network or customer edge router.
- PE router—Router that attaches the VPN label to incoming packets based on the interface or sub-interface on which they are received, and also attaches the MPLS core labels. A PE router attaches directly to a CE router.
- Customer (C) router—Router in the Internet service provider (ISP) or enterprise network.
- Customer edge (CE) router—Edge router on the network of the ISP that connects to the PE router on the network. A CE router must interface with a PE router.

MPLS L3VPN Benefits

MPLS L3VPN provides the following benefits:

- Service providers can deploy scalable VPNs and deliver value-added services.
- Connectionless service guarantees that no prior action is necessary to establish communication between hosts.
- Centralized Service: Building VPNs in Layer 3 permits delivery of targeted services to a group of users represented by a VPN.
- Scalability: Create scalable VPNs using connection-oriented and point-to-point overlays.
- Security: Security is provided at the edge of a provider network (ensuring that packets received from a customer are placed on the correct VPN) and in the backbone.
- Integrated Quality of Service (QoS) support: QoS provides the ability to address predictable performance and policy implementation and support for multiple levels of service in an MPLS VPN.

- Straightforward Migration: Service providers can deploy VPN services using a straightforward migration path.
- Migration for the end customer is simplified. There is no requirement to support MPLS on the CE router and no modifications are required for a customer intranet.

Major Components of MPLS L3VPN—Details

An MPLS-based VPN network has three major components:

- VPN route target communities—A VPN route target community is a list of all members of a VPN community. VPN route targets need to be configured for each VPN community member.
- Multiprotocol BGP (MP-BGP) peering of the VPN community PE routers—MP-BGP propagates VRF reachability information to all members of a VPN community. MP-BGP peering needs to be configured in all PE routers within a VPN community.
- MPLS forwarding—MPLS transports all traffic between all VPN community members across a VPN service-provider network.

A one-to-one relationship does not necessarily exist between customer sites and VPNs. A given site can be a member of multiple VPNs. However, a site can associate with only one VRF. A customer-site VRF contains all the routes available to the site from the VPNs of which it is a member.

Virtual Routing and Forwarding Tables

Each VPN is associated with one or more VPN routing and forwarding (VRF) instances. A VRF defines the VPN membership of a customer site attached to a PE router. A VRF consists of the following components:

- An IP version 4 (IPv4) unicast routing table
- A derived FIB table
- A set of interfaces that use the forwarding table
- A set of rules and routing protocol parameters that control the information that is included in the routing table

These components are collectively called a VRF instance.

A one-to-one relationship does not necessarily exist between customer sites and VPNs. A site can be a member of multiple VPNs. However, a site can associate with only one VRF. A VRF contains all the routes available to the site from the VPNs of which it is a member.

Packet forwarding information is stored in the IP routing table and the FIB table for each VRF. A separate set of routing and FIB tables is maintained for each VRF. These tables prevent information from being forwarded outside a VPN and also prevent packets that are outside a VPN from being forwarded to a router within the VPN.

VPN Routing Information: Distribution

The distribution of VPN routing information is controlled through the use of VPN route target communities, implemented by BGP extended communities. VPN routing information is distributed as follows:

- When a VPN route that is learned from a CE router is injected into a BGP, a list of VPN route target extended community attributes is associated with it. Typically, the list of route target community extended values is set from an export list of route targets associated with the VRF from which the route was learned.
- An import list of route target extended communities is associated with each VRF. The import list defines route target extended community attributes that a route must have for the route to be imported into the VRF. For example, if the import list for a particular VRF includes route target extended communities A, B, and C, then any VPN route that carries any of those route target extended communities—A, B, or C—is imported into the VRF.

BGP Distribution of VPN Routing Information

A PE router can learn an IP prefix from the following sources:

- A CE router by static configuration
- An eBGP session with the CE router
- Open Shortest Path First (OSPF) as Interior Gateway Protocol (IGP)

The IP prefix is a member of the IPv4 address family. After the PE router learns the IP prefix, the PE converts it into the VPN-IPv4 prefix by combining it with a 64-bit route distinguisher. The generated prefix is a member of the VPN-IPv4 address family. It uniquely identifies the customer address, even if the customer site is using globally nonunique (unregistered private) IP addresses. The route distinguisher used to generate the VPN-IPv4 prefix is specified by the **rd** command associated with the VRF on the PE router.

BGP distributes reachability information for VPN-IPv4 prefixes for each VPN. BGP communication takes place at two levels:

- Internal BGP (iBGP)—within the IP domain, known as an autonomous system.
- External BGP (eBGP)—between autonomous systems.

BGP propagates reachability information for VPN-IPv4 prefixes among PE routers by the BGP protocol extensions (see RFC 2283, Multiprotocol Extensions for BGP-4), which define support for address families other than IPv4. Using the extensions ensures that the routes for a given VPN are learned only by other members of that VPN, enabling members of the VPN to communicate with each other.

MPLS Forwarding

Based on routing information stored in the VRF IP routing table and the VRF FIB table, packets are forwarded to their destination using MPLS.

A PE router binds a label to each customer prefix learned from a CE router and includes the label in the network reachability information for the prefix that it advertises to other PE routers. When a PE router forwards a packet received from a CE router across the provider network, it labels the packet with the label learned from the destination PE router. When the destination PE router receives the labeled packet, it pops the label and uses it to direct the packet to the correct CE router. Label forwarding across the provider backbone is based on dynamic label switching. A customer data packet carries two levels of labels when traversing the backbone:

- The top label directs the packet to the correct PE router.
- The second label indicates how that PE router should forward the packet to the CE router.

Automatic Route Distinguisher Assignment

To take advantage of iBGP load balancing, every network VRF must be assigned a unique route distinguisher. VRF is require a route distinguisher for BGP to distinguish between potentially identical prefixes received from different VPNs.

With thousands of routers in a network each supporting multiple VRFs, configuration and management of route distinguishers across the network can present a problem. Cisco IOS XR software simplifies this process by assigning unique route distinguisher to VRFs using the **rd auto** command.

To assign a unique route distinguisher for each router, you must ensure that each router has a unique BGP router-id. If so, the **rd auto** command assigns a Type 1 route distinguisher to the VRF using the following format: *ip-address:number*. The IP address is specified by the BGP router-id statement and the number (which is derived as an unused index in the 0 to 65535 range) is unique across the VRFs.

Finally, route distinguisher values are checkpointed so that route distinguisher assignment to VRF is persistent across failover or process restart. If an route distinguisher is explicitly configured for a VRF, this value is not overridden by the autoroute distinguisher.

Prerequisites for Implementing MPLS L3VPN

These are the prerequisites to configure MPLS L3VPN:

- You must be in a user group associated with a task group that includes the proper task IDs for these commands:
 - BGP
 - IGP
 - MPLS
 - MPLS Layer 3 VPN
- If you suspect user group assignment is preventing you from using a command, contact your AAA administrator for assistance.
- To configure MPLS Layer 3 VPNs, routers must support MPLS forwarding and Forwarding Information Base (FIB).

Restrictions for MPLS L3VPN

Implementing MPLS L3VPN is subjected to these restrictions:

- Fragmentation of MPLS packets that exceed egress MTU is not supported. Fragmentation is not supported for IP->MPLS imposition as well. Hence, it is recommended to use Maximum MTU (9216) value on all interfaces in the MPLS core.
- L3VPN prefix lookup always yields a single path. In case of multiple paths at IGP or BGP level, path selection at each level is done using flow hash computed in data plane.
- Per VRF aggregate statistics are not supported.

The following restrictions apply when configuring MPLS VPN Inter-AS with ASBRs exchanging IPv4 routes and MPLS labels:

- For networks configured with eBGP multihop, a label switched path (LSP) must be configured between non adjacent routers.
- Layer 3 VPN over SR-TE is not supported.

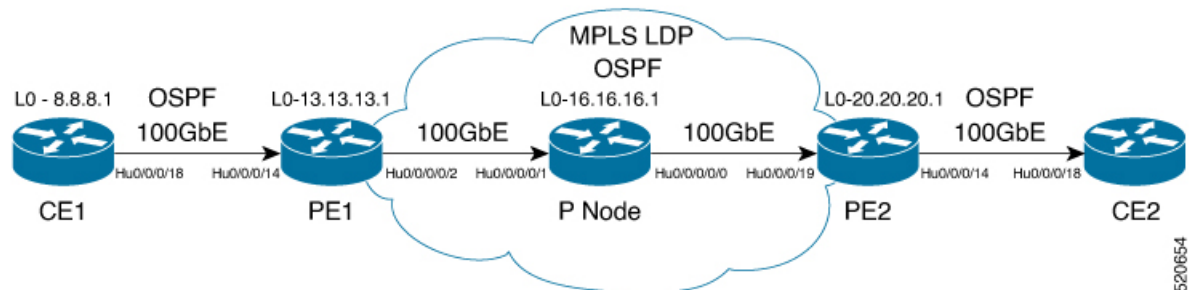
Cisco 8000 Series Routers support the following label assignments:

- Local label allocation for every VRF on MPLS VPN.
- One VPN label for every VRF.
- Must have per VRF label mode across the VRF deployment.

Configure the Core Network

Consider a network topology where MPLS L3VPN services are transported over MPLS LDP core.

Figure 2: L3VPN over MPLS LDP



Configuring the core network involves these main tasks:

- Assess the Needs of MPLS VPN Customers
- Configure Routing Protocols in the Core
- Configure MPLS in the Core
- Determine if FIB is Enabled in the Core
- Configure Multiprotocol BGP on the PE Routers and Route Reflectors

Assess the Needs of MPLS VPN Customers

Before configuring an MPLS VPN, the core network topology must be identified so that it can best serve MPLS VPN customers. The tasks listed below helps to identify the core network topology.

- Identify the size of the network:

Identify the following to determine the number of routers and ports required:

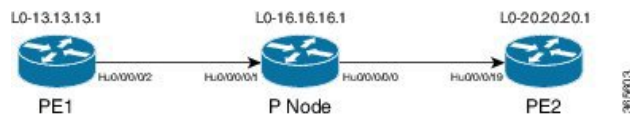
- How many customers to be supported?
- How many VPNs are required for each customer?

- How many virtual routing and forwarding (VRF) instances are there for each VPN?
- Determine the routing protocols required in the core.
- Determine if BGP load sharing and redundant paths in the MPLS VPN core are required.

Configure Routing Protocols in the Core

You can use OSPF or IS-IS as the routing protocol in the core.

Figure 3: OSPF as Routing Protocol in the Core



Configuration Example

This example lists the steps to configure OSPF as the routing protocol in the core.

```
Router-PE1#configure
Router-PE1(config)#router ospf dc-core
Router-PE1(config-ospf)#address-family ipv4 unicast
Router-PE1(config-ospf)#area 1
Router-PE1(config-ospf-ar)#interface HundredGigE0/0/0/2
Router-PE1(config-ospf-vrf-ar-if)#commit
```

Running Configuration

```
router ospf dc-core
router-id 13.13.13.1
address-family ipv4 unicast
area 1
interface HundredGigE0/0/0/2

!
!
!
```

Verification

Verify the OSPF neighbor and ensure that the *State* is displayed as 'FULL'.

```
Router-PE1# show ospf neighbor
Neighbors for OSPF dc-core

Neighbor ID    Pri   State           Dead Time   Address        Interface
16.16.16.1     1     FULL/DR         00:00:34   191.22.1.2    HundredGigE0/0/0/2
Neighbor is up for 1d18h

Total neighbor count: 1
```

Configure MPLS in the Core

You can also transport MPLS L3VPN services using segment routing in the core. For details, see .

Configuration Example

This example lists the steps to configure LDP in MPLS core.

```
Router-PE1#configure
Router-PE1 (config) #mpls ldp
Router-PE1 (config-ldp) #router-id 13.13.13.1
Router-PE1 (config-ldp) #address-family ipv4
Router-PE1 (config-ldp-af) #exit
Router-PE1 (config-ldp) #interface HundredGigE0/0/0/2
Router-PE1 (config-ldp) #commit
```

Repeat this configuration in PE2 and P routers as well.

Running Configuration

```
mpls ldp
router-id 13.13.13.1
address-family ipv4
!
interface HundredGigE0/0/0/2

!
!
```

Verification

Verify that the neighbor (16.16.16.1) is UP through the core interface:

```
Router-PE1#show mpls ldp neighbor
Peer LDP Identifier: 16.16.16.1:0
TCP connection: 16.16.16.1:47619 - 13.13.13.1:646
Graceful Restart: No
Session Holdtime: 180 sec
State: Oper; Msgs sent/rcvd: 40395/35976; Downstream-Unsolicited
Up time: 2w2d
LDP Discovery Sources:
  IPv4: (1)
    HundredGigE0/0/0/2
  IPv6: (0)
Addresses bound to this peer:
  IPv4: (6)
    10.64.98.32      87.0.0.2          88.88.88.14      50.50.50.50
    178.0.0.1       192.168.0.1
  IPv6: (0)
```

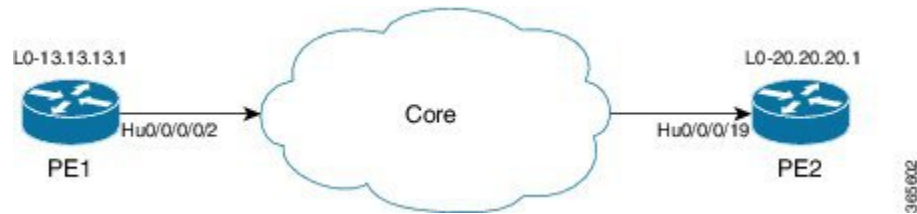
Determine if FIB is Enabled in the Core

Forwarding Information Base (FIB) must be enabled on all routers in the core, including the provider edge (PE) routers. For information on how to determine if FIB is enabled, see the *Implementing Cisco Express Forwarding module in the IP Addresses and Services Configuration Guide for Cisco 8000 Series Routers*.

Configure Multiprotocol BGP on the PE Routers and Route Reflectors

Multiprotocol BGP (MP-BGP) propagates VRF reachability information to all members of a VPN community. You must configure MP-BGP peering in all the PE routers within a VPN community.

Figure 4: Multiprotocol BGP on PE Routers



Configuration Example

This example shows how to configure MP-BGP on PE1. The loopback address (20.20.20.1) of PE2 is specified as the neighbor of PE1. Similarly, you must perform this configuration on PE2 node as well, with the loopback address (13.13.13.1) of PE1 specified as the neighbor of PE2.

```

Router-PE1#configure
Router-PE1 (config) #router bgp 2001
Router-PE1 (config-bgp) #bgp router-id 10.0.0.1
Router-PE1 (config-bgp) #address-family ipv4 unicast
Router-PE1 (config-bgp-af) #exit
Router-PE1 (config-bgp) #address-family vpnv4 unicast
Router-PE1 (config-bgp-af) #exit
Router-PE1 (config-bgp) #neighbor 172.16.0.1
Router-PE1 (config-bgp-nbr) #remote-as 2001
Router-PE1 (config-bgp-nbr) #update-source loopback 0
Router-PE1 (config-bgp-nbr) #address-family ipv4 unicast
Router-PE1 (config-bgp-nbr-af) #exit
Router-PE1 (config-bgp-nbr) #address-family vpnv4 unicast
Router-PE1 (config-bgp-nbr-af) #exit
Router-PE1 (config-bgp-nbr) #exit
/* VRF configuration */
Router (config-bgp) # vrf vrf1601
Router-PE1 (config-bgp-vrf) #rd 2001:1601
Router-PE1 (config-bgp-vrf) #address-family ipv4 unicast
Router-PE1 (config-bgp-vrf-af) #label mode per-vrf
Router-PE1 (config-bgp-vrf-af) #redistribute connected
Router-PE1 (config-bgp-vrf-af) #commit

```

Running Configuration

```

router bgp 2001
  bgp router-id 10.0.0.1
  address-family ipv4 unicast
  !
  address-family vpnv4 unicast
  !
  neighbor 172.16.0.1
    remote-as 2001
    update-source Loopback0
    address-family vpnv4 unicast
    !
    address-family ipv4 unicast
    !
  !
vrf vrf1601
  rd 2001:1601
  address-family ipv4 unicast
    label mode per-vrf
    redistribute connected

```

!
!

Verification

- Verify if the BGP state is established, and if the Remote AS and local AS displays the same value (2001 in this example):

```
Router-PE1#show bgp neighbor

BGP neighbor is 172.16.0.1
  Remote AS 2001, local AS 2001, internal link
  Remote router ID 172.16.0.1
    BGP state = Established, up for 1d19h
  NSR State: None
  Last read 00:00:04, Last read before reset 00:00:00
  Hold time is 60, keepalive interval is 20 seconds
  Configured hold time: 60, keepalive: 30, min acceptable hold time: 3
  Last write 00:00:16, attempted 19, written 19
  Second last write 00:00:36, attempted 19, written 19
  Last write before reset 00:00:00, attempted 0, written 0
  Second last write before reset 00:00:00, attempted 0, written 0
  Last write pulse rcvd Apr 12 10:31:20.739 last full not set pulse count 27939
  Last write pulse rcvd before reset 00:00:00
  Socket not armed for io, armed for read, armed for write
  Last write thread event before reset 00:00:00, second last 00:00:00
  Last KA expiry before reset 00:00:00, second last 00:00:00
  Last KA error before reset 00:00:00, KA not sent 00:00:00
  Last KA start before reset 00:00:00, second last 00:00:00
  Precedence: internet
  Non-stop routing is enabled
  Multi-protocol capability received
  Neighbor capabilities:
    Route refresh: advertised (old + new) and received (old + new)
    Graceful Restart (GR Awareness): received
    4-byte AS: advertised and received
    Address family IPv4 Unicast: advertised and received
    Address family VPNv4 Unicast: advertised and received
  Received 25595 messages, 0 notifications, 0 in queue
  Sent 8247 messages, 0 notifications, 0 in queue
  Minimum time between advertisement runs is 0 secs
  Inbound message logging enabled, 3 messages buffered
  Outbound message logging enabled, 3 messages buffered

For Address Family: IPv4 Unicast
  BGP neighbor version 484413
  Update group: 0.4 Filter-group: 0.3 No Refresh request being processed
  Inbound soft reconfiguration allowed
  NEXT_HOP is always this router
  AF-dependent capabilities:
    Outbound Route Filter (ORF) type (128) Prefix:
      Send-mode: advertised, received
      Receive-mode: advertised, received
    Graceful Restart capability received
      Remote Restart time is 120 seconds
      Neighbor did not preserve the forwarding state during latest restart
    Additional-paths Send: advertised and received
    Additional-paths Receive: advertised and received
  Route refresh request: received 1, sent 1
  Policy for incoming advertisements is pass-all
  Policy for outgoing advertisements is pass-all
  24260 accepted prefixes, 24260 are bestpaths
  Cumulative no. of prefixes denied: 0.
```

```

Prefix advertised 2000, suppressed 0, withdrawn 0
Maximum prefixes allowed 1048576
Threshold for warning message 75%, restart interval 0 min
AIGP is enabled
An EoR was received during read-only mode
Last ack version 484413, Last synced ack version 0
Outstanding version objects: current 0, max 1
Additional-paths operation: Send and Receive
Send Multicast Attributes
Advertise VPNv4 routes enabled with defaultReoriginate,disable Local with stitching-RT
option

For Address Family: VPNv4 Unicast
BGP neighbor version 798487
Update group: 0.2 Filter-group: 0.1 No Refresh request being processed
AF-dependent capabilities:
  Graceful Restart capability received
  Remote Restart time is 120 seconds
  Neighbor did not preserve the forwarding state during latest restart
  Additional-paths Send: advertised and received
  Additional-paths Receive: advertised and received
Route refresh request: received 0, sent 0
29150 accepted prefixes, 29150 are bestpaths
Cumulative no. of prefixes denied: 0.
Prefix advertised 7200, suppressed 0, withdrawn 0
Maximum prefixes allowed 2097152
Threshold for warning message 75%, restart interval 0 min
AIGP is enabled
An EoR was received during read-only mode
Last ack version 798487, Last synced ack version 0
Outstanding version objects: current 0, max 1
Additional-paths operation: Send and Receive
Send Multicast Attributes
Advertise VPNv4 routes enabled with defaultReoriginate,disable Local with stitching-RT
option

Connections established 1; dropped 0
Local host: 10.0.0.1, Local port: 35018, IF Handle: 0x00000000
Foreign host: 172.16.0.1, Foreign port: 179
Last reset 00:00:00

```

- Verify if all the IP addresses are learnt on PE1 from PE2:

```

Router-PE1#show bgp vpnv4 unicast

BGP router identifier 10.0.0.1, local AS number 2001
BGP generic scan interval 60 secs
Non-stop routing is enabled
BGP table state: Active
Table ID: 0x0 RD version: 0
BGP main routing table version 798487
BGP NSR Initial initsync version 15151 (Reached)
BGP NSR/ISSU Sync-Group versions 0/0
BGP scan interval 60 secs

Status codes: s suppressed, d damped, h history, * valid, > best
               i - internal, r RIB-failure, S stale, N Nexthop-discard
Origin codes: i - IGP, e - EGP, ? - incomplete
   Network          Next Hop          Metric LocPrf Weight Path
Route Distinguisher: 2001:1601 (default for vrf vrf1601)
*> 172.16.0.1/12    192.168.0.1              0 7501 i
*> 172.16.0.1/12    192.168.0.2              0 7501 i
*> 172.16.0.3/12    192.168.0.3              0 7501 i

```

```

*> 172.16.0.4/12      192.168.0.4      0 7501 i
*> 172.16.0.5/12      192.168.0.5      0 7501 i
*>i172.16.0.1/1210.0.0.1      100      0 8501 i
*>i172.16.0.2/1210.0.0.1      100      0 8501 i
*>i172.16.0.3/1210.0.0.1      100      0 8501 i
*>i172.16.0.4/1210.0.0.1      100      0 8501 i
*>i172.16.0.5/1210.0.0.1      100      0 8501 i

```

Verify MPLS L3VPN Configuration

You must verify these to ensure the successful configuration of MPLS L3VPN:

Verify the L3VPN Traffic Flow

P node:

```

Router-P#show mpls forwarding
Local  Outgoing  Prefix          Outgoing  Next Hop  Bytes
Label  Label     or ID           Interface  Hop       Switched
-----
24119  Pop       20.20.20.1/32  Hu0/0/0/0  191.31.1.90  2170204180148

```

PE2:

```

Router#show mpls forwarding
Local  Outgoing  Prefix          Outgoing  Next Hop  Bytes
Label  Label     or ID           Interface  Hop       Switched
-----
24031  Aggregate vrf1601: Per-VRF Aggr[V] \
                                vrf1601
                                0

```

Verify the Underlay (transport)

Verify if the LDP neighbor connection is established with the respective neighbor:

```

Router-PE1#show mpls ldp neighbor
Peer LDP Identifier: 16.16.16.1:0
TCP connection: 16.16.16.1:47619 - 13.13.13.1:646
Graceful Restart: No
Session Holdtime: 180 sec
State: Oper; Msgs sent/rcvd: 40395/35976; Downstream-Unsolicited
Up time: 2w2d
LDP Discovery Sources:
IPv4: (1)
    TenGigE0/0/0/2
IPv6: (0)
Addresses bound to this peer:
IPv4: (6)
    10.64.98.32      87.0.0.2      88.88.88.14   50.50.50.50
    178.0.0.1       192.1.1.1
IPv6: (0)

```

Verify if the label update is received by the FIB:

```

Router-PE1#show mpls forwarding
Local  Outgoing  Prefix          Outgoing  Next Hop  Bytes
Label  Label     or ID           Interface  Hop       Switched
-----
24036  Pop       16.16.16.1/32  Hu0/0/0/2  191.22.1.2  293294
24037  24165    18.18.18.1/32  Hu0/0/0/2  191.22.1.2  500

```

```

24039 24167      20.20.20.1/32    Hu0/0/0/2    191.22.1.2    17872433
      24167      20.20.20.1/32    Hu0/0/0/2.1  191.22.3.2    6345
24041 Aggregate  vrf1601: Per-VRF Aggr[V] \
      vrf1601
                                           0

```

Verify if label is updated in the hardware:

Router-PE1#show mpls forwarding labels 24001 hardware egress

Local Label	Outgoing Label	Prefix or ID	Outgoing Interface	Next Hop	Bytes Switched
24039	24167	20.20.20.1/32	Hu0/0/0/2	191.22.1.2	N/A
	24167	20.20.20.1/32	Hu0/0/0/2.1	191.22.3.2	N/A

Show-data Print at RPLC

```

LEAF - HAL pd context :
sub-type : MPLS, ecd_marked:0, has_collapsed_ldi:0
collapse_bwalk_required:0, ecdv2_marked:0

```

Leaf H/W Result:

Leaf H/W Result on NP:0

Label	SwitchAction	EgressIf	Programmed
24039	0	0x 200185	Programmed

nrLDI eng ctx:

```

flags: 0x101, proto: 2, npaths: 0, nbuckets: 1
ldi_tbl_idx: 0xc37e40, ecd_ref_cft: 0
pbts_ldi_tbl_idx: 0x0, fastnrldi:0x0

```

NR-LDI H/W Result for path 0 [index: 0xc37e40 (BE), common to all NPs]:

```
ECMP Sw Idx: 12811840 HW Idx: 200185 Path Idx: 0
```

NR-LDI H/W Result for path 1 [index: 0xc37e41 (BE), common to all NPs]:

```
ECMP Sw Idx: 12811841 HW Idx: 200185 Path Idx: 1
```

SHLDI eng ctx:

```
flags: 0x0, shldi_tbl_idx: 0, num_entries:0
```

SHLDI HW data for path 0 [index: 0 (BE)] (common to all NPs):

```
Unable to get HW NRLDI Element rc: 1165765120NRLDI Idx: 0
```

SHLDI HW data for path 1 [index: 0x1 (BE)] (common to all NPs):

```
Unable to get HW NRLDI Element rc: 1165765120NRLDI Idx: 1
```

TX H/W Result for NP:0 (index: 0x187a0 (BE)):

```

Next Hop Data
Next Hop Valid:      YES
Next Hop Index:      100256
Egress Next Hop IF:  100047
Hw Next Hop Intf:    606
HW Port:             0
Next Hop Flags:      COMPLETE
Next Hop MAC:        e4aa.5d9a.5f2e

```

NHINDEX H/W Result for NP:0 (index: 0 (BE)):

NhIndex is NOT required on this platform

NHINDEX STATS: pkts 0, bytes 0 (no stats)

RX H/W Result on NP:0 [Adj ptr:0x40 (BE)]:

```

Rx-Adj is NOT required on this platform

TX H/W Result for NP:0 (index: 0x189a8 (BE)):

Next Hop Data
Next Hop Valid:          YES
Next Hop Index:         100776
Egress Next Hop IF:     100208
Hw Next Hop Intf:       607
HW Port:                0
Next Hop Flags:         COMPLETE
Next Hop MAC:           e4aa.5d9a.5f2d

NHINDEX H/W Result for NP:0 (index: 0 (BE)):
NhIndex is NOT required on this platform

NHINDEX STATS: pkts 0, bytes 0 (no stats)

RX H/W Result on NP:0 [Adj ptr:0x40 (BE)]:
Rx-Adj is NOT required on this platform

```

Verify the Overlay (L3VPN)

Imposition Path: Verify if the BGP neighbor connection is established with the respective neighbor node:

```

Router-PE1#show bgp summary
BGP router identifier 13.13.13.1, local AS number 2001
BGP generic scan interval 60 secs
Non-stop routing is enabled
BGP table state: Active
Table ID: 0xe0000000 RD version: 18003
BGP main routing table version 18003
BGP NSR Initial initsync version 3 (Reached)
BGP NSR/ISSU Sync-Group versions 0/0
BGP scan interval 60 secs

BGP is operating in STANDALONE mode.

Process          RcvTblVer   bRIB/RIB   LabelVer   ImportVer   SendTblVer   StandbyVer
Speaker          18003       18003      18003      18003       18003        0

Neighbor        Spk   AS  MsgRcvd  MsgSent   TblVer  InQ  OutQ  Up/Down  St/PfxRcd
21.21.21.1      0  2001  19173   7671     18003   0    0    1d07h   4000
192.13.2.149   0  7001  4615   7773     18003   0    0    09:26:21  125

```

Verify if BGP routes are advertised and learnt:

```

Router-PE1#show bgp vpnv4 unicast
BGP router identifier 13.13.13.1, local AS number 2001
BGP generic scan interval 60 secs
Non-stop routing is enabled
BGP table state: Active
Table ID: 0x0 RD version: 0
BGP main routing table version 305345
BGP NSR Initial initsync version 12201 (Reached)
BGP NSR/ISSU Sync-Group versions 0/0
BGP scan interval 60 secs

Status codes: s suppressed, d damped, h history, * valid, > best
               i - internal, r RIB-failure, S stale, N Nexthop-discard
Origin codes: i - IGP, e - EGP, ? - incomplete
   Network          Next Hop          Metric LocPrf Weight Path
Route Distinguisher: 2001:1601 (default for vrf vrf1601)
*> 20.13.1.1/32     192.13.26.5              0 7501 i

```

```
*> 20.13.1.2/32      192.13.26.5          0 7501 i
*>i20.23.1.1/32     20.20.20.1           100 0 6553700 11501 i
*>i20.23.1.2/32     20.20.20.1           100 0 6553700 11501 i
```

Verify BGP labels:

```
Router-PE1#show bgp label table
Label   Type                VRF/RD      Context
24041   IPv4 VRF Table      vrf1601     -
24042   IPv4 VRF Table      vrf1602     -
```

Verify if the route is downloaded in the respective VRF:

```
Router-PE1#show cef vrf vrf1601 20.23.1.1
20.23.1.1/32, version 743, internal 0x5000001 0x0 (ptr 0x8f932174) [1], 0x0 (0x8fa99990),
0xa08 (0x8f9fba58)
  Updated Apr 20 12:33:47.840
  Prefix Len 32, traffic index 0, precedence n/a, priority 3
  via 20.20.20.1/32, 3 dependencies, recursive [flags 0x6000]
  path-idx 0 NHID 0x0 [0x8c0e3148 0x0]
  recursion-via-/32
  next hop VRF - 'default', table - 0xe0000000
  next hop 20.20.20.1/32 via 24039/0/21
  next hop 191.23.1.2/32 Hu0/0/1/1 labels imposed {24059 24031}
```

Disposition Path

Verify if the imposition and disposition labels are assigned and label bindings are exchanged for L3VPN prefixes:

```
Router-PE2#show mpls lsd forwarding
In_Label, (ID), Path_Info: <Type>
24030, (IPv4, 'default':4U, 13.13.13.1/32), 5 Paths
  1/1: IPv4, 'default':4U, Hu0/0/0/19.2, nh=191.31.1.89, lbl=24155,
      flags=0x0, ext_flags=0x0
24031, (VPN-VRF, 'vrf1601':4U), 1 Paths
  1/1: PopLkup-v4, 'vrf1601':4U, ipv4
24032, (VPN-VRF, 'vrf1602':4U), 1 Paths
  1/1: PopLkup-v4, 'vrf1602':4U, ipv4
```

Verify if the label update is received by the FIB:

```
Router-PE2#show mpls forwarding
Local  Outgoing  Prefix          Outgoing      Next Hop      Bytes
Label  Label     or ID           Interface     Next Hop      Switched
-----
24019  Pop       18.18.18.3/32  Hu0/0/0/19   191.31.1.89   11151725032
24030  24155     13.13.13.1/32  Hu0/0/0/19   191.31.1.89   3639895
24031  Aggregate vrf1601: Per-VRF Aggr[V] \
                                         vrf1601      0
```

L3VPN over RSVP-TE

Table 1: Feature History Table

Feature Name	Release Information	Feature Description
--------------	---------------------	---------------------

L3VPN over RSVP-TE	Release 7.3.2	Using labeled switch paths (LSPs), this feature enables resource reservations in each node across data paths on MPLS-configured Layer 3 VPNs. Such reservations allow service providers to offer high throughput to their subscribers with optimal network operations.
--------------------	---------------	--

MPLS Traffic Engineering (MPLS-TE) learns the topology and resources available in a network and then maps traffic flows to particular paths based on network resources. MPLS TE builds a unidirectional tunnel from a source to a destination in the form of a label switched path (LSP), which is then used to forward traffic. MPLS-TE uses RSVP to signal LSPs.

RSVP processes protocol messages from other systems, processes resource requests from local clients, and generates protocol messages. As a result, resources are reserved for data flows on behalf of local and remote clients. RSVP creates, maintains, and deletes these resource reservations. RSVP is automatically enabled on interfaces on which MPLS-TE is configured.

For more information on RSVP-TE and MPLS-TE, see the *MPLS Configuration Guide for Cisco 8000 Series Routers*.

Configure L3VPN over RSVP-TE

Perform these steps to configure L3VPN over RSVP-TE:

- Configure routing protocols in the core—To configure routing protocols in the core, see the *Routing Configuration Guide for Cisco 8000 Series Routers*.
- Enable MPLS on all routers in the core—To enable MPLS on all routers in the core, you must configure a Label Distribution Protocol (LDP). You can use either of the following as an LDP:
 - MPLS LDP—See the *Implementing MPLS Label Distribution Protocol* chapter in the *MPLS Configuration Guide for Cisco 8000 Series Routers* for configuration information.
 - MPLS Traffic Engineering Resource Reservation Protocol (RSVP)—See the *Implementing RSVP for MPLS-TE* chapter in the *MPLS Configuration Guide for Cisco 8000 Series Routers* for configuration information.

VRF-lite

VRF-lite is the deployment of VRFs without MPLS. VRF-lite allows a service provider to support two or more VPNs with overlapping IP addresses. With this feature, multiple VRF instances can be supported in customer edge devices.

VRF-lite interfaces must be Layer 3 interface and this interface cannot belong to more than one VRF at any time. Multiple interfaces can be part of the same VRF, provided all of them participate in the same VPN.

Configure VRF-lite

Consider two customers having two VPN sites each, that are connected to the same PE router. VRFs are used to create a separate routing table for each customer. We create one VRF for each customer (say, vrf1 and vrf2) and then add the corresponding interfaces of the router to the respective VRFs. Each VRF has its own routing table with the interfaces configured under it. The global routing table of the router does not show these

interfaces, whereas the VRF routing table shows the interfaces that were added to the VRF. PE routers exchange routing information with CE devices by using static routing or a routing protocol such as BGP or OSPF.

To summarize, VRF-lite configuration involves these main tasks:

- Create VRF
- Configure VRF under the interface
- Configure VRF under routing protocol

Configuration Example

- **Create VRF:**

```
Router#configure
Router(config)#vrf vrf1
Router(config-vrf)#address-family ipv4 unicast
/* You must create route-policy pass-all before this configuration */
Router(config-vrf-af)#import from default-vrf route-policy pass-all
Router(config-vrf-af)#import route-target
Router(config-vrf-import-rt)#100:100
Router(config-vrf-import-rt)#exit
Router(config-vrf-af)#export route-target
Router(config-vrf-import-rt)#100:100
Router(config-vrf-import-rt)#exit
Router(config-vrf-import-rt)#commit
```

Similarly create vrf2, with route-target as 100:100.

- **Configure VRF under the interface:**

```
Router#configure
Router(config-subif)#interface TenGigE0/0/0/0.2001
Router(config-subif)#ipv4 address 192.0.2.2 255.255.255.252
Router(config-subif)#encapsulation dot1q 2001
Router(config-subif)#exit

Router(config)#interface TenGigE0/0/0/0.2000
Router(config-subif)#vrf vrf2
Router(config-subif)#ipv4 address 192.0.2.5/30 255.255.255.252
Router(config-subif)#encapsulation dot1q 2000
Router(config-vrf-import-rt)#commit
```

Similarly configure vrf1 under interface TenGigE0/0/0/1.2001 and vrf2 under interface TenGigE0/0/0/1.2000

- **Configure VRF under routing protocol:**

```
Router#configure
Router(config)#router ospf 100 area 0
Router(config-ospf-ar)#interface loopback 0
Router(config-ospf-ar-if)#exit
Router(config-ospf-ar)#interface TenGigE0/0/0/1
Router(config-ospf-ar-if)#exit
Router(config-ospf-ar)#interface TenGigE0/0/0/1.2001
Router(config-ospf-ar-if)#vrf vrf1
Router(config-ospf-vrf)#default-information originate
```

```

Router(config-ospf-vrf)#exit
Router(config-ospf)#exit
Router(config)#router ospf 100 area 0
Router(config-ospf-ar)#interface TenGigE0/0/0/1.2000
Router(config-ospf-ar-if)#vrf vrf2
Router(config-ospf-vrf)#default-information originate
Router(config-ospf-vrf)#commit

```

Running Configuration

```

/* VRF Configuration */

vrf vrf1
address-family ipv4 unicast
  import route-target
    100:100
  !
  export route-target
    100:100
  !
!
!
vrf vrf2
address-family ipv4 unicast
  import route-target
    100:100
  !
  export route-target
    100:100
  !
!
!

/* Interface Configuration */

interface TenGigE0/0/0/0.2001
vrf vrf1
ipv4 address 192.0.2.2 255.255.255.252
encapsulation dot1q 2001
!

interface TenGigE0/0/0/0.2000
vrf vrf2
ipv4 address 192.0.2.5/30 255.255.255.252
encapsulation dot1q 2000
!

interface TenGigE0/0/0/1.2001
vrf vrf1
ipv4 address 203.0.113.2 255.255.255.252
encapsulation dot1q 2001
!

interface TenGigE0/0/0/1.2000
vrf vrf2
ipv4 address 203.0.113.5 255.255.255.252
encapsulation dot1q 2000
!

/* Routing Protocol Configuration */
router ospf 100 area 0

```

```

interface Loopback0
!

interface TenGigE0/0/0/1
!
interface TenGigE0/0/0/1.20001
vrf vrf1
default-information originate
!

interface TenGigE0/0/0/1.2000
vrf vrf2
default-information originate
!

```

Verification

```

Router#show route vrf vrf1
Mon Jul  4 19:12:54.739 UTC

```

```

Codes: C - connected, S - static, B - BGP, (>) - Diversion path
O - OSPF, IA - OSPF inter area
N1 - OSPF NSSA external type 1, N2 - OSPF NSSA external type 2
E1 - OSPF external type 1, E2 - OSPF external type 2, E - EGP
i - ISIS, L1 - IS-IS level-1, L2 - IS-IS level-2
ia - IS-IS inter area, su - IS-IS summary null, * - candidate default
U - per-user static route, o - ODR, L - local, G - DAGR, l - LIISP
A - access/subscriber, a - Application route
M - mobile route, r - RPL, (!) - FRR Backup path

```

Gateway of last resort is not set

```

C   203.0.113.0/24 is directly connected, 00:07:01, TenGigE0/0/0/1.2001
L   203.0.113.2/30 is directly connected, 00:07:01, TenGigE0/0/0/1.2001
C   192.0.2.0/24 is directly connected, 00:05:51, TenGigE0/0/0/1.2001
L   192.0.2.2/30 is directly connected, 00:05:51, TenGigE0/0/0/1.2001

```

```

Router#show route vrf vrf2
Mon Jul  4 19:12:59.121 UTC

```

```

Codes: C - connected, S - static, B - BGP, (>) - Diversion path
O - OSPF, IA - OSPF inter area
N1 - OSPF NSSA external type 1, N2 - OSPF NSSA external type 2
E1 - OSPF external type 1, E2 - OSPF external type 2, E - EGP
i - ISIS, L1 - IS-IS level-1, L2 - IS-IS level-2
ia - IS-IS inter area, su - IS-IS summary null, * - candidate default
U - per-user static route, o - ODR, L - local, G - DAGR, l - LIISP
A - access/subscriber, a - Application route
M - mobile route, r - RPL, (!) - FRR Backup path

```

Gateway of last resort is not set

```

R   198.51.100.53/30 [120/1] via 192.0.2.1, 00:01:42, TenGigE0/0/0/0.2000
C   203.0.113.0/24 is directly connected, 00:08:43, TenGigE0/0/0/1.2000
L   203.0.113.5/30 is directly connected, 00:08:43, TenGigE0/0/0/1.2000
C   192.0.2.0/24 is directly connected, 00:06:17, TenGigE0/0/0/0.2000
L   192.0.2.5/30 is directly connected, 00:06:17, TenGigE0/0/0/0.2000

```

MPLS L3VPN Services using Segment Routing

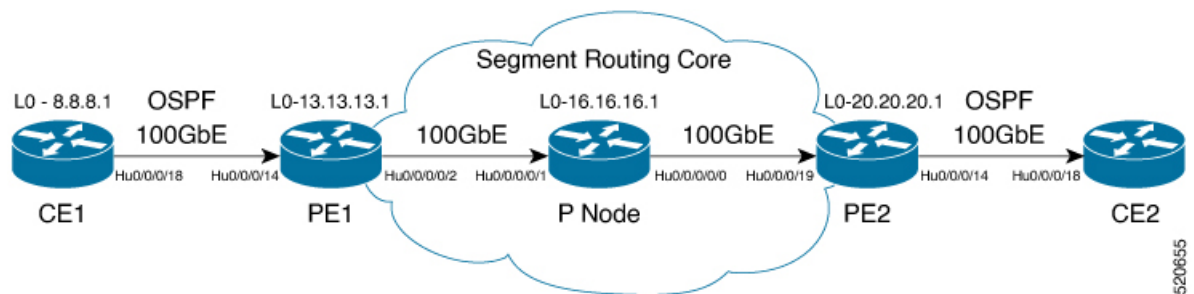
Currently, MPLS Label Distribution Protocol (LDP) is the widely used transport for MPLS L3VPN services. The user can achieve better resilience and convergence for the network traffic, by transporting MPLS L3VPN services using Segment Routing (SR), instead of MPLS LDP. Segment routing can be directly applied to the MPLS architecture without changing the forwarding plane. In a segment-routing network using the MPLS data plane, LDP or other signaling protocol is not required; instead label distribution is performed by IGP (IS-IS or OSPF) or BGP protocol. Removing protocols from the network simplifies its operation and makes it more robust and stable by eliminating the need for protocol interaction. Segment routing utilizes the network bandwidth more effectively than traditional MPLS networks and offers lower latency.

Configure MPLS L3VPN over Segment Routing

Topology

Given below is a network scenario, where MPLS L3VPN service is transported using Segment Routing.

Figure 5: MPLS L3VPN over Segment Routing



In this topology, CE1 and CE2 are the two customer routers. ISP has two PE routers, PE1 and PE2 and a P router. OSPF is used for the edge protocol support between the CE and PE routers. Label distribution can be performed by IGP (IS-IS or OSPF) or BGP. OSPF is used in this scenario.

Customer's autonomous system is 65534, which peers with ISP's autonomous system 65000. This must be a vrf peering to prevent route advertisement into the global IPv4 table. The ISP routers PE1 and PE2 contain the VRF (for example, vrf1601) for the customer. PE1 and PE2 export and import the same route targets, although this is not necessary.

Loopback interfaces are used in this topology to simulate the attached networks.

Configuration

You must complete these tasks to ensure the successful configuration of MPLS L3VPN over segment routing:

- Configure Segment Routing in MPLS Core
- Configure protocol support on PE-CE (see Connect MPLS VPN Customers)
- Configure protocol support on PE-PE (see Configure Multiprotocol BGP on the PE Routers and Route Reflectors)

Configure Segment Routing in MPLS Core

This section takes you through the configuration procedure to enable segment routing in MPLS core. You must perform this configuration in PE1, P and PE2 routers in the topology, using the corresponding values.

Configuration Example

```

/* Configure Segment Routing using OSPF */

Router-PE1#configure
Router-PE1(config)# router ospf dc-sr
Router-PE1(config-ospf)#router-id 13.13.13.1
Router-PE1(config-ospf)#segment routing mpls
Router-PE1(config-ospf)#segment routing forwarding mpls
Router-PE1(config-ospf)#mpls ldp sync
Router-PE1(config-ospf)#mpls ldp auto-config
Router-PE1(config-ospf)#segment-routing sr-prefer
Router-PE1(config-ospf)#segment-routing prefix-sid-map advertise-local
Router-PE1(config-ospf)#exit
Router-PE1(config-ospf)#area 1
Router-PE1(config-ospf-ar)#interface HundredGigE0/0/0/2
Router-PE1(config-ospf-ar-if)#exit
Router-PE1(config-ospf-ar)#interface Loopback0
Router-PE1(config-ospf-ar-if)#prefix-sid index 1
Router-PE1(config-ospf-ar-if)#commit

/ * Configure segment routing global block */

Router# configure
Router(config)# segment-routing
Router(config-sr)# global-block 180000 200000
Router(config-sr)# commit
Router(config-sr)# exit

/* Configure Segment Routing using ISIS */

Router# configure
Router(config)# router isis ring
Router(config-isis)# is-type level-2-only
Router(config-isis)# net 49.0001.1921.6800.1001.00
Router(config-isis)# nsr
Router(config-isis)# distribute link-state
Router(config-isis)# nsf cisco
Router(config-isis)# address-family ipv4 unicast
Router(config-isis-af)# metric-style wide
Router(config-isis-af)# mpls traffic-eng level-1
Router(config-isis-af)# mpls traffic-eng router-id loopback0
Router(config-isis-af)# segment-routing mpls sr-prefer
Router(config-isis-af)# exit
!
Router(config-isis)# interface loopback0
Router(config-isis-if)# address-family ipv4 unicast
Router(config-isis-af)# prefix-sid index 30101
Router(config-isis-af)# exit

```

Running Configuration

PE1:

```

router ospf dc-sr
router-id 13.13.13.1
segment-routing mpls
segment-routing forwarding mpls
mpls ldp sync
mpls ldp auto-config
segment-routing sr-prefer
segment-routing prefix-sid-map receive
segment-routing prefix-sid-map advertise-local
!
area 1
interface HundredGigE0/0/0/2
!
interface Loopback0
prefix-sid index 1
!
!
!

configure
segment-routing
global-block 180000 200000
!
!

configure
router isis ring
net 49.0001.1921.6800.1001.00
nsr
distribute link-state
nsf cisco
address-family ipv4 unicast
metric-style wide
mpls traffic-eng level-1
mpls traffic-eng router-id Loopback0
segment-routing mpls sr-prefer
!
interface Loopback0
address-family ipv4 unicast
prefix-sid index 30101
!
!

```

P node:

```

router ospf dc-sr
router-id 16.16.16.1
segment-routing mpls
segment-routing forwarding mpls
mpls ldp sync
mpls ldp auto-config
segment-routing sr-prefer
segment-routing prefix-sid-map receive
segment-routing prefix-sid-map advertise-local
!
area 1
interface HundredGigE0/0/1/0
!
interface HundredGigE0/0/1/1
!
interface Loopback0
prefix-sid index 1

```

```

!
!
!
configure
  segment-routing
    global-block 180000 200000
  !
!

configure
router isis ring
  net 49.0001.1921.6800.1002.00
  nsr
  distribute link-state
  nsf cisco
  address-family ipv4 unicast
  metric-style wide
  mpls traffic-eng level-1
  mpls traffic-eng router-id Loopback0
  segment-routing mpls sr-prefer
!
interface Loopback0
  address-family ipv4 unicast
  prefix-sid index 30102
!
!

```

PE2:

```

router ospf dc-sr
  router-id 20.20.20.1
  segment-routing mpls
  segment-routing forwarding mpls
  mpls ldp sync
  mpls ldp auto-config
  segment-routing sr-prefer
  segment-routing prefix-sid-map receive
  segment-routing prefix-sid-map advertise-local
!
area 0
  interface HundredGigE0/0/0/19
  !
  interface Loopback0
  prefix-sid index 1
!
!
!

configure
  segment-routing
    global-block 180000 200000
  !
!

configure
router isis ring
  net 49.0001.1921.6800.1003.00
  nsr
  distribute link-state
  nsf cisco
  address-family ipv4 unicast
  metric-style wide
  mpls traffic-eng level-1

```

```

mpls traffic-eng router-id Loopback0
segment-routing mpls sr-prefer
!
interface Loopback0
address-family ipv4 unicast
prefix-sid index 30103
!

```

Verify MPLS L3VPN Configuration over Segment Routing

- Verify the statistics in core router and ensure that the counter for IGP transport label (64003 in this example) is increasing:

P node:

```

Router-P#show mpls forwarding
Local  Outgoing  Prefix          Outgoing  Next Hop      Bytes
Label  Label      or ID           Interface  Interface     Switched
-----
64003  Pop        SR Pfx (idx 0)  Hu0/0/0/0  193.16.1.2    572842

```

- Verify the statistics in PE1 router:

PE1:

```

Router-P#show mpls forwarding
Local  Outgoing  Prefix          Outgoing  Next Hop      Bytes
Label  Label      or ID           Interface  Interface     Switched
-----
64001  60003     SR Pfx (idx 0)  Hu0/0/0/2  191.22.1.2    532978

```

- Verify the statistics in PE2 router and ensure that the counter for the VPN label (24031 in this example) is increasing:

PE2:

```

Router-PE2#show mpls forwarding
Local  Outgoing  Prefix          Outgoing  Next Hop      Bytes
Label  Label      or ID           Interface  Interface     Switched
-----
24031  Aggregate  vrf1601: Per-VRF Aggr[V] \
                                         vrf1601      0

```

Inter-AS Support for L3VPN

An autonomous system (AS) is a single network or group of networks that is controlled by a common system administration group and uses a single, clearly defined routing protocol.

As VPNs grow, their requirements expand. In some cases, VPNs need to reside on different autonomous systems in different geographic areas. In addition, some VPNs need to extend across multiple service providers (overlapping VPNs). Regardless of the complexity and location of the VPNs, the connection between autonomous systems must be seamless.

Benefits

An MPLS VPN Inter-AS provides the following benefits:

- Allows a VPN to cross more than one service provider backbone.

Service providers, running separate autonomous systems, can jointly offer MPLS VPN services to the same end customer. A VPN can begin at one customer site and traverse different VPN service provider backbones before arriving at another site of the same customer. Previously, MPLS VPN could traverse only a single BGP autonomous system service provider backbone. This feature lets multiple autonomous systems form a continuous, seamless network between customer sites of a service provider.

- Allows a VPN to exist in different areas.

A service provider can create a VPN in different geographic areas. Having all VPN traffic flow through one point (between the areas) allows for better rate control of network traffic between the areas.

Inter-AS and ASBRs

Separate autonomous systems from different service providers can communicate by exchanging IPv4 NLRI and IPv6 in the form of VPN-IPv4/IPv6 addresses. The ASBRs use eBGP to exchange that information. Then an Interior Gateway Protocol (IGP) distributes the network layer information for VPN-IPv4/IPv6 prefixes throughout each VPN and each autonomous system. The following protocols are used for sharing routing information:

- Within an autonomous system, routing information is shared using an IGP.
- Between autonomous systems, routing information is shared using an eBGP. An eBGP lets service providers set up an interdomain routing system that guarantees the loop-free exchange of routing information between separate autonomous systems.

The primary function of an eBGP is to exchange network reachability information between autonomous systems, including information about the list of autonomous system routes. The autonomous systems use EBGP border edge routers to distribute the routes, which include label switching information. Each border edge router rewrites the next-hop and MPLS labels.

Inter-AS configurations supported in an MPLS VPN can include:

- Interprovider VPN—MPLS VPNs that include two or more autonomous systems, connected by separate border edge routers. The autonomous systems exchange routes using eBGP. No IGP or routing information is exchanged between the autonomous systems.



Note Inter-AS options A and C are supported and Inter AS option B is not supported.

MPLS VPN Inter-AS BGP Label Distribution



Note This section is not applicable to Inter-AS over IP tunnels.

You can set up the MPLS VPN Inter-AS network so that the ASBRs exchange IPv4 routes with MPLS labels of the provider edge (PE) routers. Route reflectors (RRs) exchange VPN-IPv4 routes by using multihop, multiprotocol external Border Gateway Protocol (eBGP). This method of configuring the Inter-AS system is often called MPLS VPN Inter-AS BGP Label Distribution.

Configuring the Inter-AS system so that the ASBRs exchange the IPv4 routes and MPLS labels has the following benefits:

- Saves the ASBRs from having to store all the VPN-IPv4 routes. Using the route reflectors to store the VPN-IPv4 routes and forward them to the PE routers results in improved scalability compared with configurations in which the ASBR holds all the VPN-IPv4 routes and forwards the routes based on VPN-IPv4 labels.
- Having the route reflectors hold the VPN-IPv4 routes also simplifies the configuration at the border of the network.
- Enables a non-VPN core network to act as a transit network for VPN traffic. You can transport IPv4 routes with MPLS labels over a non-MPLS VPN service provider.
- Eliminates the need for any other label distribution protocol between adjacent label switch routers (LSRs). If two adjacent LSRs are also BGP peers, BGP can handle the distribution of the MPLS labels. No other label distribution protocol is needed between the two LSRs.

Exchanging IPv4 Routes with MPLS labels

You can set up a VPN service provider network to exchange IPv4 routes with MPLS labels. You can configure the VPN service provider network as follows:

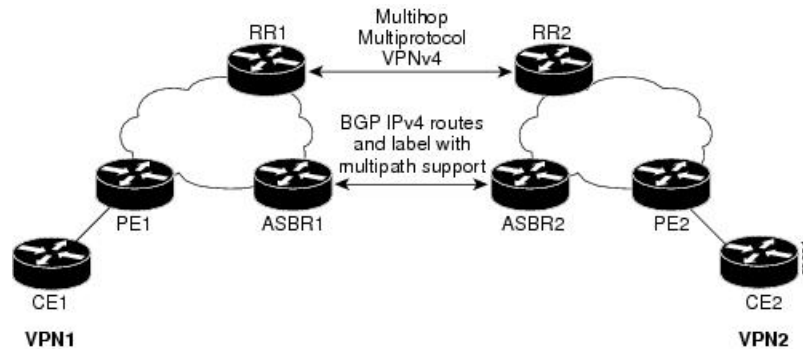
- Route reflectors exchange VPN-IPv4 routes by using multihop, multiprotocol eBGP. This configuration also preserves the next-hop information and the VPN labels across the autonomous systems.
- A local PE router (for example, PE1 in the figure below) needs to know the routes and label information for the remote PE router (PE2).

This information can be exchanged between the PE routers and ASBRs in one of two ways:

- Internal Gateway Protocol (IGP) and Label Distribution Protocol (LDP): The ASBR can redistribute the IPv4 routes and MPLS labels it learned from eBGP into IGP and LDP and from IGP and LDP into eBGP.
- Internal Border Gateway Protocol (iBGP) IPv4 label distribution: The ASBR and PE router can use direct iBGP sessions to exchange VPN-IPv4 and IPv4 routes and MPLS labels.

Alternatively, the route reflector can reflect the IPv4 routes and MPLS labels learned from the ASBR to the PE routers in the VPN. This reflecting of learned IPv4 routes and MPLS labels is accomplished by enabling the ASBR to exchange IPv4 routes and MPLS labels with the route reflector. The route reflector also reflects the VPN-IPv4 routes to the PE routers in the VPN. For example, in VPN1, RR1 reflects to PE1 the VPN-IPv4 routes it learned and IPv4 routes and MPLS labels learned from ASBR1. Using the route reflectors to store the VPN-IPv4 routes and forward them through the PE routers and ASBRs allows for a scalable configuration.

Figure 6: VPNs Using eBGP and iBGP to Distribute Routes and MPLS Labels



BGP Routing Information

BGP routing information includes the following items:

- Network number (prefix), which is the IP address of the destination.
- Autonomous system (AS) path, which is a list of the other ASs through which a route passes on the way to the local router. The first AS in the list is closest to the local router; the last AS in the list is farthest from the local router and usually the AS where the route began.
- Path attributes, which provide other information about the AS path, for example, the next hop.

BGP Messages and MPLS Labels

MPLS labels are included in the update messages that a router sends. Routers exchange the following types of BGP messages:

- Open messages—After a router establishes a TCP connection with a neighboring router, the routers exchange open messages. This message contains the number of the autonomous system to which the router belongs and the IP address of the router that sent the message.
- Update messages—When a router has a new, changed, or broken route, it sends an update message to the neighboring router. This message contains the NLRI, which lists the IP addresses of the usable routes. The update message includes any routes that are no longer usable. The update message also includes path attributes and the lengths of both the usable and unusable paths. Labels for VPN-IPv4 routes are encoded in the update message, as specified in RFC 2858. The labels for the IPv4 routes are encoded in the update message, as specified in RFC 3107.
- Keepalive messages—Routers exchange keepalive messages to determine if a neighboring router is still available to exchange routing information. The router sends these messages at regular intervals. (Sixty seconds is the default for Cisco routers.) The keepalive message does not contain routing data; it contains only a message header.
- Notification messages—When a router detects an error, it sends a notification message.

Sending MPLS Labels with Routes

When BGP (eBGP and iBGP) distributes a route, it can also distribute an MPLS label that is mapped to that route. The MPLS label mapping information for the route is carried in the BGP update message that contains the information about the route. If the next hop is not changed, the label is preserved.

When you issue the **show bgp neighbors ip-address** command on both BGP routers, the routers advertise to each other that they can then send MPLS labels with the routes. If the routers successfully negotiate their ability to send MPLS labels, the routers add MPLS labels to all outgoing BGP updates.

Provide VPN Connectivity Across Multiple Autonomous Systems with MPLS VPN Inter-AS with ASBRs Exchanging IPv4 Routes and MPLS Labels

This section is not applicable to Inter-AS over IP tunnels.



Note This section contains instructions for the following tasks:

- Configuring the Route Reflectors to Exchange VPN-IPv4 Routes
- Configure the Route Reflectors to Reflect Remote Routes in its AS

Configure the Route Reflectors to Exchange VPN-IPv4 Routes

This example shows how to configure the route reflectors to exchange VPN-IPv4 routes by using multihop. This task specifies that the next-hop information and the VPN label are to be preserved across the autonomous system (AS).

Configuration Example

```
Router# configure
Router(config)# router bgp 500
Router(config-bgp)#
Router(config-bgp-nbr)# remote-as 100
Router(config-bgp-nbr)# ebgp-multihop
Router(config-bgp-nbr)# update-source loopback0
Router(config-bgp-nbr)# address-family vpnv4 unicast
Router(config-bgp-nbr-af)# route-policy pass-all in
Router(config-bgp-nbr-af)# route-policy pass-all out
Router(config-bgp-nbr-af)# next-hop-unchanged
Router(config-bgp-nbr)# address-family vpnv6 unicast
Router(config-bgp-nbr-af)# route-policy pass-all in
Router(config-bgp-nbr-af)# route-policy pass-all out
Router(config-bgp-nbr-af)# next-hop-unchanged
```

Running Configuration

```
Router#show run router bgp 500
router bgp 500
  bgp router-id 60.200.13.1
  address-family ipv4 labeled-unicast
    allocate-label all
  !
  address-family vpnv4 unicast
  !
  address-family ipv6 unicast
  !
  address-family vpnv6 unicast
  !
  neighbor 10.200.1.1
    remote-as 100
```

```

ebgp-multihop 255
update-source Loopback0
address-family vpnv4 unicast
  route-policy PASS-ALL in
  route-policy PASS-ALL out
  next-hop-unchanged
!
address-family vpnv6 unicast
  route-policy PASS-ALL in
  route-policy PASS-ALL out
  next-hop-unchanged
!

```

Verification

```

Router#show cef vrf vrf2001 ipv4 172.16.0.1/32 hardware egress location0/0/CPU0
111.1.1.2/32, version 39765, internal 0x5000001 0x0 (ptr 0x9f4d326c) [1], 0x0 (0xa0263058),
0x808 (0x899285b8)
Updated Oct 27 10:58:39.350
Prefix Len 32, traffic index 0, precedence n/a, priority 3
  via 10.200.1.1/32, 307 dependencies, recursive, bgp-ext [flags 0x6020]
    path-idx 0 NHID 0x0 [0x89a59100 0x0]
    recursion-via-/32
    next hop VRF - 'default', table - 0xe0000000
    next hop 10.200.1.1/32 via 69263/0/21
      next hop 63.13.1.1/32 Te0/3/0/17/0 labels imposed {24007 64007 64023}

LEAF - HAL pd context :
sub-type : IPV4, ecd_marked:0, has_collapsed_ldi:0
collapse_bwalk_required:0, ecdv2_marked:0
HW Walk:
LEAF:
  PI:0x9f4d326c PD:0x9f4d3304 Rev:3865741 type: 0
  FEC handle: 0x890c0198

  LWLDI:
    PI:0xa0263058 PD:0xa0263098 rev:3865740 p-rev: ldi type:0
    FEC hdl: 0x890c0198 fec index: 0x0(0) num paths:1, bkup: 0

REC-SHLDI HAL PD context :
ecd_marked:0, collapse_bwalk_required:0, load_shared_lb:0

  RSHLDI:
    PI:0x9f17bfd8 PD:0x9f17c054 rev:0 p-rev:0 flag:0x1
    FEC hdl: 0x890c0198 fec index: 0x20004fa6(20390) num paths: 1
    Path:0 fec index: 0x20004fa6(20390) DSP fec index: 0x2000120e(4622)
      MPLS Encap Id: 0x4001381e

LEAF - HAL pd context :
sub-type : MPLS, ecd_marked:0, has_collapsed_ldi:0
collapse_bwalk_required:0, ecdv2_marked:0
HW Walk:
LEAF:
  PI:0x89a59100 PD:0x89a59198 Rev:3864195 type: 2
  FEC handle: (nil)

  LWLDI:
    EOS0/1 LDI:
    PI:0xb9a51838 PD:0xb9a51878 rev:3864192 p-rev: ldi type:0
    FEC hdl: 0x890c0818 fec index: 0x20004fa2(20386) num paths:1, bkup: 0
    DSP fec index:0x2000120e(4622)
    Path:0 fec index: 0x20004fa2(20386) DSP fec index:0x2000120e(4622)
      MPLS encap hdl: 0x400145ed MPLS encap id: 0x400145ed Remote: 0

```

```

IMP LDI:
PI:0xb9a51838 PD:0xb9a51878 rev:3864192 p-rev:
FEC hdl: 0x890c0b58 fec index: 0x20004fa0(20384) num paths:1
Path:0 fec index: 0x20004fa0(20384) DSP fec index: 0x2000120e(4622)
      MPLS encap hdl: 0x400145ec MPLS encap id: 0x400145ec Remote: 0

REC-SHLDI HAL PD context :
ecd_marked:0, collapse_bwalk_required:0, load_shared_lb:0

RSHLDI:
PI:0xb7e387f8 PD:0xb7e38874 rev:0 p-rev:0 flag:0x1
FEC hdl: 0x890c0e98 fec index: 0x20004f9e(20382) num paths: 1
Path:0 fec index: 0x20004f9e(20382) DSP fec index: 0x2000120e(4622)

LEAF - HAL pd context :
sub-type : MPLS, ecd_marked:0, has_collapsed_ldi:0
collapse_bwalk_required:0, ecdv2_marked:0
HW Walk:
LEAF:
PI:0x89a59028 PD:0x89a590c0 Rev:31654 type: 2
FEC handle: (nil)

LWLDI:
PI:0x8c69c1c8 PD:0x8c69c208 rev:31653 p-rev:31652 ldi type:5
FEC hdl: 0x8903a718 fec index: 0x0(0) num paths:1, bkup: 0
Path:0 fec index: 0x0(0) DSP:0x0
IMP LDI:
PI:0x8c69c1c8 PD:0x8c69c208 rev:31653 p-rev:31652
FEC hdl: 0x8903aa58 fec index: 0x2000120e(4622) num paths:1
Path:0 fec index: 0x2000120e(4622) DSP:0x518
      MPLS encap hdl: 0x40013808 MPLS encap id: 0x40013808 Remote: 0

SHLDI:
PI:0x8af02580 PD:0x8af02600 rev:31652 dpa-rev:66291 flag:0x0
FEC hdl: 0x8903a718 fec index: 0x2000120d(4621) num paths: 1 bkup paths: 0
p-rev:2373
Path:0 fec index: 0x2000120d(4621) DSP:0x518 Dest fec index: 0x0(0)

TX-NHINFO:
PD: 0x89bf94f0 rev: 2373 dpa-rev: 9794 Encap hdl: 0x8a897628
Encap id: 0x40010002 Remote: 0 L3 int: 1043 npu_mask: 4

```

Configure the Route Reflectors to Reflect Remote Routes in its AS

This example shows how to enable the route reflector (RR) to reflect the IPv4 routes and labels learned by the autonomous system boundary router (ASBR) to the provider edge (PE) routers in the autonomous system. This task is accomplished by making the ASBR and PE as the route reflector clients of the RR.

Configuration Example

```

Router#configure
Router(config)#router bgp 500
Router(config-bgp)#address-family ipv4 unicast
Router(config-bgp-af)#allocate-label all
Router(config-bgp-af)#neighbor 60.200.11.1
Router(config-bgp-nbr)#remote-as 500
Router(config-bgp-nbr)#update-source loopback0
Router(config-bgp-nbr)#address-family ipv4 labeled-unicast
Router(config-bgp-nbr-af)#route-reflector-client
Router(config-bgp-nbr-af)#neighbor 60.200.12.1
Router(config-bgp-nbr)#remote-as 500
Router(config-bgp-nbr)#update-source loopback0

```

```

Router(config-bgp-nbr)#address-family ipv4 labeled-unicast
Router(config-bgp-nbr-af)#route-reflector-client
Router(config-bgp-nbr)#address-family vpnv4 unicast
Router(config-bgp-nbr-af)#route-reflector-client

```

Running Configuration

```

Router#show run router bgp 500
router bgp 500
  bgp router-id 60.200.13.1
  address-family ipv4 unicast
    allocate-label all
  !
  address-family vpnv4 unicast
  !
  neighbor 60.200.11.1
    remote-as 500
    update-source Loopback0
  !
  address-family ipv6 labeled-unicast
    route-reflector-client
  !
  address-family vpnv6 unicast
  !
  !
  neighbor 60.200.12.1
    remote-as 500
    update-source Loopback0
    address-family ipv4 labeled-unicast
      route-reflector-client
    !
    address-family vpnv4 unicast
      route-reflector-client
    !

```

Provide VPN Connectivity Across Multiple Autonomous Systems with MPLS VPN Inter-AS with ASBRs Exchanging VPN-IPv4 Addresses

This section contains instructions for the following task.

- Configure a Static Route to an ASBR Peer

Configure a Static Route to an ASBR Peer

To configure a static route to an ASBR peer:

Configuration Example

```

Router# configure
Router(config)# router static
Router(config-static)# address-family ipv4 unicast
Router(config-static-afi)# 10.10.10.10/32 10.9.9.9
Router(config-static-afi)# commit

```

Inter-AS Option B for L3VPN

Table 2: Feature History Table

Feature Name	Release Information	Feature Description
Inter-AS Option B for L3VPN	Release 7.9.1	You can now provide inter-autonomous system (AS) support for L3VPN networks with two or more autonomous systems (ASes) that are using Border Gateway Protocol Multicast Virtual Private Network (BGP-MVPN). This provision allows administrators to control their ASes independently and facilitate efficient scalability by allowing ASes equipped with Autonomous System Boundary Routers (ASBRs) administered by different entities to communicate through a single BGP session, exchanging VPN-IP addresses, IP routes, and MPLS labels.

A Multiprotocol Label Switching (MPLS) Layer 3 VPN consists of a set of sites that are interconnected using an MPLS provider core network. At each customer site, one or more customer edge (CE) routers attach to one or more provider edge (PE) routers. L3VPN Inter-AS Option B is one of the ways the VPN sites share the routes.

When you configure Inter-AS Option B, subinterfaces of the router enable the ASBR ports to receive the MPLS traffic. ASBR uses MP-BGP sessions to distribute labeled VPN prefixes between the ASBRs. A VPN label is assigned whenever the BGP next hop is changed.

Functions of Inter-AS Option B

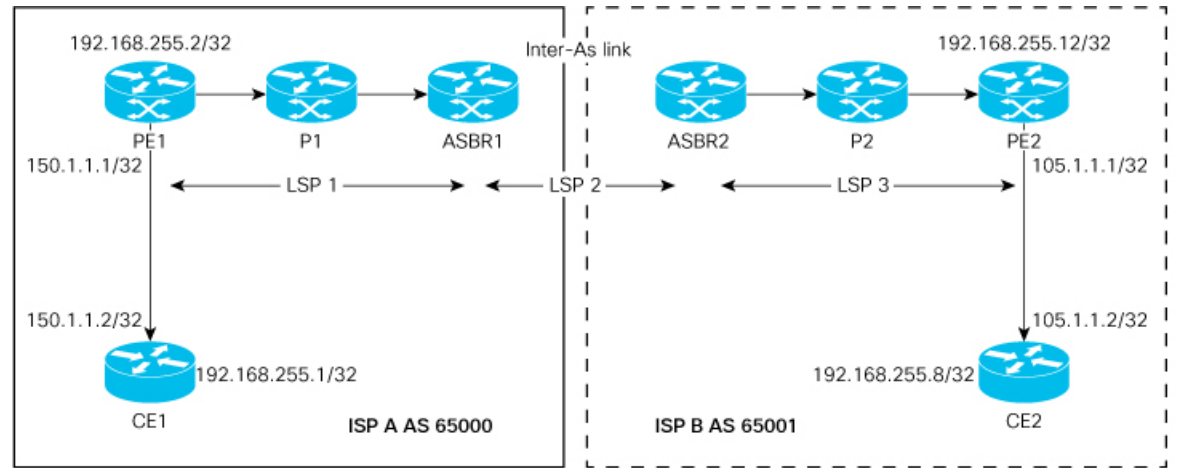
- This feature allows to have an iBGP VPNv4 session between the routers within an AS and also an eBGP VPNv4 session between edge routers and WAN routers.
- BGP distributes the label between ASBRs.

The label mapping information for a particular route is added to the same BGP update message that is used to distribute the route itself.

- When BGP is used to distribute a particular route, it also distributes an MPLS label which is mapped to that route. Many ISPs prefer this method of configuration since it ensures complete IGP isolation between different sites.

Topology

Figure 7: L3VPN Inter-AS Option B



In this topology:

- eBGP is configured as the routing protocol between CE and PE devices.
- ISIS is used as the IGP for the ISP core. On all the physical links of both ISPs, LDP and IGP are configured.
- LDP and IGP are not configured on the Inter-As link between ASBR1 and ASBR2.
- MP iBGP is used to exchange routes between PE and ASBR within a customer network.
- On the ASBRs, the eBGP VPNv4 peering is configured. MPLS is not enabled with LDP on the link connecting the ASBRs.
- When the eBGP VPNv4 peering comes up on the ASBR1, **mpls bgp forwarding** is automatically configured on the Inter-As link. Exchange of the labels with ASBR2 is accomplished through BGP, and not through LDP .
- No VRF is required on ASBRs.
- Use the **retain route-target all** command on the ASBR to refrain from dropping the updates from those VRFs which do not have RT configured in them. The default behavior is that the ASBR drops the update for those VRFs with RT which are not locally configured.
- Configure a static /32 route to remote ASBR next-hop interface address, so that the MPLS label is bound for a /32 prefix. If you do not configure a static /32 route, the control plane comes up, without the traffic not being forwarded.
- Cisco IOS XR does not send or receive routing updates with eBGP peers unless a route policy is configured. A route policy is configured with pass-all which enables sending and receiving all updates.



Note L3VPN Inter-AS Option B does not support BGP-LU as an underlay.

Configure Inter-AS Option B for L3VPN

Perform the following task on PE1, P1, ASBR1, ASBR2, P2, and PE2 to configure Inter-AS Option B for L3VPN.



Note Though L3VPN Inter-AS Option B support per prefix mode, we recommend you use per-nexthop-label mode due to resource limitations.

Configuration Example

PE1 Configuration

```
Router# configure
Router(config)# interface Loopback0
Router(config-if)# ipv4 address 192.168.255.2/32
Router(config-if)# ipv6 address 50:50:50::50/128
Router(config-if)# exit
Router(config)# interface Bundle-Ether25
Router(config-if)# description interface to R4
Router(config-if)# ipv4 address 172.16.0.1 255.240.0.0
Router(config-if)# exit
Router(config)# router isis access
Router(config-isis)# is-type level-1
Router(config-isis)# net 49.0001.0000.0000.0050.00
Router(config-isis)# nsr
Router(config-isis)# nsf ietf
Router(config-isis)# log adjacency changes
Router(config-isis)# address-family ipv4 unicast
Router(config-isis-af)# metric-style wide
Router(config-isis-af)# exit
Router(config-isis)# interface Bundle-Ether25
Router(config-isis-if)# point-to-point
Router(config-isis-if)# address-family ipv4 unicast
Router(config-isis-if-af)# exit
Router(config-isis-if-af)# exit
Router(config-isis-if)# exit
Router(config-isis)# interface Loopback0
Router(config-isis-if)# point-to-point
Router(config-isis-if)# address-family ipv4 unicast
Router(config-isis-if-af)# exit
Router(config-isis-if-af)# exit
Router(config-isis-if)# exit
Router(config-isis)# exit
Router(config)# mpls ldp
Router(config-ldp)# interface Bundle-Ether25
Router(config-ldp-if)# exit
Router(config-ldp)# exit
Router(config)# vrf vrf1
Router(config-vrf)# address-family ipv4 unicast
Router(config-vrf-af)# import route-target 100:1
Router(config-vrf-af)# export route-target 100:1
Router(config-vrf-af)# exit
Router(config-vrf)# address-family ipv6 unicast
Router(config-vrf-af)# import route-target 100:1
Router(config-vrf-af)# export route-target 100:1
Router(config-vrf-af)# exit
Router(config-vrf)# exit
Router(config)# router bgp 65000
```

```

Router(config-bgp) # nsr
Router(config-bgp) # bgp router-id 192.168.255.2
Router(config-bgp) # bgp graceful-restart
Router(config-bgp) # address-family vpnv4 unicast
Router(config-bgp-af) # exit
Router(config-bgp) # address-family vpnv6 unicast
Router(config-bgp-af) # exit
Router(config-bgp) # neighbor 10.10.10.10
Router(config-bgp-nbr) # remote-as 65000
Router(config-bgp-nbr) # update-source Loopback0
Router(config-bgp-nbr) # address-family vpnv4 unicast
Router(config-bgp-nbr-af) # maximum-prefix 4500000 90
Router(config-bgp-nbr-af) # exit
Router(config-bgp-nbr) # address-family vpnv6 unicast
Router(config-bgp-nbr-af) # maximum-prefix 4500000 90
Router(config-bgp-nbr-af) # exit
Router(config-bgp-nbr) # exit
Router(config-bgp) # vrf vrf1
Router(config-bgp-vrf) # rd 100:1
Router(config-bgp-vrf) # bgp router-id 192.168.255.2
Router(config-bgp-vrf) # address-family ipv4 unicast
Router(config-bgp-vrf-af) # label mode per-vrf
Router(config-bgp-vrf-af) # redistribute connected
Router(config-bgp-vrf-af) # exit
Router(config-bgp-vrf) # address-family ipv6 unicast
Router(config-bgp-vrf-af) # label mode per-vrf
Router(config-bgp-vrf-af) # redistribute connected
Router(config-bgp-vrf-af) # exit
Router(config-bgp-vrf) # neighbor 150.1.1.2
Router(config-bgp-vrf-nbr) # remote-as 501
Router(config-bgp-vrf-nbr) # address-family ipv4 unicast
Router(config-bgp-vrf-nbr-af) # route-policy pass-all in
Router(config-bgp-vrf-nbr-af) # route-policy pass-all out
Router(config-bgp-vrf-nbr-af) # exit
Router(config-bgp-vrf-nbr) # exit
Router(config-bgp-vrf) # neighbor 150:1:1::2
Router(config-bgp-vrf-nbr) # remote-as 501
Router(config-bgp-vrf-nbr) # address-family ipv6 unicast
Router(config-bgp-vrf-nbr-af) # route-policy pass-all in
Router(config-bgp-vrf-nbr-af) # route-policy pass-all out
Router(config-bgp-vrf-nbr-af) # commit

```

P1 Configuration

```

Router# configure
Router(config) # interface Loopback0
Router(config-if) # ipv4 address 172.16.0.1 255.255.255.255
Router(config-if) # exit
Router(config) # interface Bundle-Ether12
Router(config-if) # description interface to ASBR1
Router(config-if) # ipv4 address 10.20.1.2 255.240.0.0
Router(config-if) # exit
Router(config) # interface Bundle-Ether25
Router(config-if) # description interface to R50
Router(config-if) # ipv4 address 20.50.1.1 255.240.0.0
Router(config-if) # exit
Router(config) # router isis core
Router(config-isis) # is-type level-1
Router(config-isis) # net 49.0001.0000.0000.0020.00
Router(config-isis) # nsr
Router(config-isis) # nsf ietf
Router(config-isis) # log adjacency changes

```

```

Router(config-isis)# address-family ipv4 unicast
Router(config-isis-af)# metric-style wide
Router(config-isis-af)# exit
Router(config-isis)# interface Bundle-Ether12
Router(config-isis-if)# point-to-point
Router(config-isis-if)# address-family ipv4 unicast
Router(config-isis-if-af)# exit
Router(config-isis-if)# exit
Router(config-isis)# interface Bundle-Ether25
Router(config-isis-if)# point-to-point
Router(config-isis-if)# address-family ipv4 unicast
Router(config-isis-if-af)# exit
Router(config-isis-if)# exit
Router(config-isis)# interface Loopback0
Router(config-isis-if)# point-to-point
Router(config-isis-if)# address-family ipv4 unicast
Router(config-isis-if-af)# exit
Router(config-isis-if)# exit
Router(config-isis-if)# exit
Router(config-isis)# exit
Router(config)# mpls ldp
Router(config-ldp)# nsr
Router(config-ldp)# interface Bundle-Ether12
Router(config-ldp-if)# exit
Router(config-ldp)# interface Bundle-Ether25
Router(config-ldp-if)# commit

```

ASBR1 Configuration

```

Router# configure
Router(config)# interface Loopback0
Router(config-if)# ipv4 address 10.10.10.10 255.255.255.255
Router(config-if)# ipv6 address 10:10:10::10/128
Router(config-if)# exit
Router(config)# interface Bundle-Ether12
Router(config-if)# description interface to 172.16.0.1
Router(config-if)# ipv4 address 10.20.1.1 255.240.0.0
Router(config-if)# monitor-session Test ethernet port-level
Router(config-if-mon)# exit
Router(config-if)# exit
Router(config)# interface Bundle-Ether11
Router(config-if)# description interface to ASBR2
Router(config-if)# ipv4 address 10.1.0.1 255.255.255.0
Router(config-if)# exit
Router(config)# router isis core
Router(config-isis)# is-type level-1
Router(config-isis)# net 49.0001.0000.0000.0010.00
Router(config-isis)# nsr
Router(config-isis)# nsf ietf
Router(config-isis)# log adjacency changes
Router(config-isis)# address-family ipv4 unicast
Router(config-isis-af)# metric-style wide
Router(config-isis-af)# exit
Router(config-isis)# interface Bundle-Ether12
Router(config-isis-if)# point-to-point
Router(config-isis-if)# address-family ipv4 unicast
Router(config-isis-if-af)# exit
Router(config-isis-if)# exit
Router(config-isis)# interface Loopback0
Router(config-isis-if)# point-to-point
Router(config-isis-if)# address-family ipv4 unicast
Router(config-isis-if-af)# exit

```

```

Router(config-isis-if)# exit
Router(config-isis)# exit
Router(config)# mpls ldp
Router(config-ldp)# nsr
Router(config-ldp)# interface Bundle-Ether12
Router(config-ldp-if)# exit
Router(config-ldp)# exit
Router(config)# router bgp 65000
Router(config-bgp)# nsr
Router(config-bgp)# bgp router-id 10.10.10.10
Router(config-bgp)# bgp graceful-restart
Router(config-bgp)# address-family vpnv4 unicast
Router(config-bgp-af)# retain route-target all
Router(config-bgp-af)# label mode per-nexthop-received-label
Router(config-bgp-af)# exit
Router(config-bgp)# address-family vpnv6 unicast
Router(config-bgp-af)# label mode per-nexthop-received-label
Router(config-bgp-af)# retain route-target all
Router(config-bgp-af)# exit
Router(config-bgp)# neighbor 10.0.0.1
Router(config-bgp-nbr)# remote-as 65001
Router(config-bgp-nbr)# ebgp-multihop 2
Router(config-bgp-nbr)# update-source Loopback0
Router(config-bgp-nbr)# address-family vpnv4 unicast
Router(config-bgp-nbr-af)# route-policy pass-all in
Router(config-bgp-nbr-af)# maximum-prefix 4500000 90
Router(config-bgp-nbr-af)# route-policy pass-all out
Router(config-bgp-nbr-af)# exit
Router(config-bgp-nbr)# address-family vpnv6 unicast
Router(config-bgp-nbr-af)# route-policy pass-all in
Router(config-bgp-nbr-af)# maximum-prefix 4500000 90
Router(config-bgp-nbr-af)# route-policy pass-all out
Router(config-bgp-nbr-af)# exit
Router(config-bgp-nbr)# exit
Router(config-bgp)# neighbor 192.168.255.2
Router(config-bgp-nbr)# remote-as 65000
Router(config-bgp-nbr)# update-source Loopback0
Router(config-bgp-nbr)# address-family vpnv4 unicast
Router(config-bgp-nbr-af)# maximum-prefix 4500000 90
Router(config-bgp-nbr-af)# next-hop-self
Router(config-bgp-nbr-af)# exit
Router(config-bgp-nbr)# address-family vpnv6 unicast
Router(config-bgp-nbr-af)# maximum-prefix 4500000 90
Router(config-bgp-nbr-af)# next-hop-self
Router(config-bgp-nbr-af)# exit
Router(config-bgp-nbr)# exit
Router(config-bgp)# exit
Router(config)# router static
Router(config-static)# address-family ipv4 unicast
Router(config-static-afi)# 10.0.0.1/32 Bundle-Ether11 10.1.0.2
Router(config-static-afi)# commit

```

ASBR2 Configuration

```

Router# configure
Router(config)# interface Loopback0
Router(config-if)# ipv4 address 10.0.0.1 255.255.255.255
Router(config-if)# ipv6 address 1::1::1/128
Router(config-if)# exit
Router(config)# interface Bundle-Ether12
Router(config-if)# description interface to P2
Router(config-if)# ipv4 address 1.2.1.1 255.240.0.0

```

```

Router(config-if)# monitor-session Test ethernet port-level
Router(config-if-mon)# exit
Router(config-if)# exit
Router(config)# interface Bundle-Ether11
Router(config-if)# description interface to ASBR1
Router(config-if)# ipv4 address 10.1.0.2 255.255.255.0
Router(config-if)# exit
Router(config)# router isis core
Router(config-isis)# is-type level-1
Router(config-isis)# net 49.0001.0000.0000.0010.00
Router(config-isis)# nsr
Router(config-isis)# nsf ietf
Router(config-isis)# log adjacency changes
Router(config-isis)# address-family ipv4 unicast
Router(config-isis-af)# metric-style wide
Router(config-isis-af)# exit
Router(config-isis)# interface Bundle-Ether12
Router(config-isis-if)# point-to-point
Router(config-isis-if)# address-family ipv4 unicast
Router(config-isis-if-af)# exit
Router(config-isis-if)# exit
Router(config-isis)# interface Loopback0
Router(config-isis-if)# point-to-point
Router(config-isis-if)# address-family ipv4 unicast
Router(config-isis-if-af)# exit
Router(config-isis-if)# exit
Router(config-isis)# exit
Router(config)# mpls ldp
Router(config-ldp)# nsr
Router(config-ldp)# interface Bundle-Ether12
Router(config-ldp-if)# exit
Router(config-ldp)# exit
Router(config)# router bgp 65001
Router(config-bgp)# nsr
Router(config-bgp)# bgp router-id 10.0.0.1
Router(config-bgp)# bgp graceful-restart
Router(config-bgp)# address-family vpnv4 unicast
Router(config-bgp-af)# label mode per-nexthop-received-label
Router(config-bgp-af)# retain route-target all
Router(config-bgp-af)# exit
Router(config-bgp)# address-family vpnv6 unicast
Router(config-bgp-af)# label mode per-nexthop-received-label
Router(config-bgp-af)# retain route-target all
Router(config-bgp-af)# exit
Router(config-bgp)# neighbor 5.5.5.5
Router(config-bgp-nbr)# remote-as 65001
Router(config-bgp-nbr)# update-source Loopback0
Router(config-bgp-nbr)# address-family vpnv4 unicast
Router(config-bgp-nbr-af)# next-hop-self
Router(config-bgp-nbr-af)# exit
Router(config-bgp-nbr)# address-family vpnv6 unicast
Router(config-bgp-nbr-af)# next-hop-self
Router(config-bgp-nbr-af)# exit
Router(config-bgp-nbr)# exit
Router(config-bgp)# neighbor 10.10.10.10
Router(config-bgp-nbr)# remote-as 65000
Router(config-bgp-nbr)# ebgp-multihop 2
Router(config-bgp-nbr)# update-source Loopback0
Router(config-bgp-nbr)# address-family vpnv4 unicast
Router(config-bgp-nbr-af)# route-policy pass-all in
Router(config-bgp-nbr-af)# maximum-prefix 4500000 90
Router(config-bgp-nbr-af)# route-policy pass-all out

```

```

Router(config-bgp-nbr-af) # exit
Router(config-bgp-nbr) # address-family vpnv6 unicast
Router(config-bgp-nbr-af) # route-policy pass-all in
Router(config-bgp-nbr-af) # maximum-prefix 4500000 90
Router(config-bgp-nbr-af) # route-policy pass-all out
Router(config-bgp-nbr-af) # exit
Router(config-bgp-nbr) # exit
Router(config-bgp) # exit
Router(config) # router static
Router(config-static) # address-family ipv4 unicast
Router(config-static-afi) # 10.10.10.10/32 Bundle-Ether11 10.1.0.1
Router(config-static-afi) # commit

```

P2 Configuration

```

Router# configure
Router(config) # interface Loopback0
Router(config-if) # ipv4 address 2.2.2.2 255.255.255.255
Router(config-if) # exit
Router(config) # interface Bundle-Ether12
Router(config-if) # description interface towards ASBR2
Router(config-if) # ipv4 address 1.2.1.2 255.240.0.0
Router(config-if) # exit
Router(config) # interface Bundle-Ether25
Router(config-if) # description interface towards PE2
Router(config-if) # ipv4 address 2.5.1.1 255.240.0.0
Router(config-if) # exit
Router(config) # router isis core
Router(config-isis) # is-type level-1
Router(config-isis) # net 49.0001.0000.0000.0020.00
Router(config-isis) # nsr
Router(config-isis) # nsf ietf
Router(config-isis) # log adjacency changes
Router(config-isis) # address-family ipv4 unicast
Router(config-isis-af) # metric-style wide
Router(config-isis-af) # exit
Router(config-isis) # interface Bundle-Ether12
Router(config-isis-if) # point-to-point
Router(config-isis-if) # address-family ipv4 unicast
Router(config-isis-if-af) # exit
Router(config-isis-if) # exit
Router(config-isis) # interface Bundle-Ether25
Router(config-isis-if) # point-to-point
Router(config-isis-if) # address-family ipv4 unicast
Router(config-isis-if-af) # exit
Router(config-isis-if) # exit
Router(config-isis) # interface Loopback0
Router(config-isis-if) # point-to-point
Router(config-isis-if) # address-family ipv4 unicast
Router(config-isis-if-af) # exit
Router(config-isis-if) # exit
Router(config-isis) # exit
Router(config) # mpls ldp
Router(config-ldp) # interface Bundle-Ether12
Router(config-ldp-if) # exit
Router(config-ldp) # interface Bundle-Ether25
Router(config-ldp-if) # commit

```

PE2 Configuration

```

Router(config)# router bgp 65001
Router(config-bgp)# nsr
Router(config-bgp)# bgp router-id 192.168.255.12
Router(config-bgp)# bgp graceful-restart
Router(config-bgp)# address-family vpnv4 unicast
Router(config-bgp-af)# exit
Router(config-bgp)# address-family vpnv6 unicast
Router(config-bgp-af)# exit
Router(config-bgp)# neighbor 10.0.0.1
Router(config-bgp-nbr)# remote-as 65001
Router(config-bgp-nbr)# update-source Loopback0
Router(config-bgp-nbr)# address-family vpnv4 unicast
Router(config-bgp-nbr-af)# maximum-prefix 4500000 90
Router(config-bgp-nbr-af)# exit
Router(config-bgp-nbr)# address-family vpnv6 unicast
Router(config-bgp-nbr-af)# maximum-prefix 4500000 90
Router(config-bgp-nbr-af)# exit
Router(config-bgp-nbr)# exit
Router(config-bgp)# vrf vrf1
Router(config-bgp-vrf)# rd 100:1
Router(config-bgp-vrf)# bgp router-id 192.168.255.12
Router(config-bgp-vrf)# address-family ipv4 unicast
Router(config-bgp-vrf-af)# label mode per-vrf
Router(config-bgp-vrf-af)# redistribute connected
Router(config-bgp-vrf-af)# exit
Router(config-bgp-vrf)# address-family ipv6 unicast
Router(config-bgp-vrf-af)# label mode per-vrf
Router(config-bgp-vrf-af)# redistribute connected
Router(config-bgp-vrf-af)# exit
Router(config-bgp-vrf)# neighbor 150.1.1.2
Router(config-bgp-vrf-nbr)# remote-as 501
Router(config-bgp-vrf-nbr)# address-family ipv4 unicast
Router(config-bgp-vrf-nbr-af)# route-policy pass-all in
Router(config-bgp-vrf-nbr-af)# route-policy pass-all out
Router(config-bgp-vrf-nbr-af)# exit
Router(config-bgp-vrf-nbr)# exit
Router(config-bgp-vrf)# neighbor 150:1:1::2
Router(config-bgp-vrf-nbr)# remote-as 501
Router(config-bgp-vrf-nbr)# address-family ipv6 unicast
Router(config-bgp-vrf-nbr-af)# route-policy pass-all in
Router(config-bgp-vrf-nbr-af)# route-policy pass-all out
Router(config-bgp-vrf-nbr-af)# exit
Router(config-bgp-vrf-nbr)# exit
Router(config-bgp-vrf)# exit
Router(config-bgp)# exit
Router(config-bgp)# exit
Router(config)# interface TenGigE0/0/0/30.1
Router(config-subif)# vrf vrf1
Router(config-subif)# ipv4 address 172.16.0.1 255.240.0.0
Router(config-subif)# ipv6 address 105:1:1::1/96
Router(config-subif)# encapsulation dot1q 1
Router(config-subif)# exit
Router(config)# interface Loopback0
Router(config-if)# ipv4 address 192.168.255.12 255.255.255.224
Router(config-if)# ipv6 address 50:50:50::50/128
Router(config-if)# exit
Router(config)# router isis access
Router(config-isis)# is-type level-1
Router(config-isis)# net 49.0001.0000.0000.0050.00
Router(config-isis)# nsr
Router(config-isis)# nsf ietf

```



```

Router(config-isis)# log adjacency changes
Router(config-isis)# address-family ipv4 unicast
Router(config-isis-af)# metric-style wide
Router(config-isis-af)# exit
Router(config-isis)# interface Bundle-Ether25
Router(config-isis-if)# point-to-point
Router(config-isis-if)# address-family ipv4 unicast
Router(config-isis-if-af)# exit
Router(config-isis-if)# exit
Router(config-isis)# interface Loopback0
Router(config-isis-if)# point-to-point
Router(config-isis-if)# address-family ipv4 unicast
Router(config-isis-if-af)# exit
Router(config-isis-if)# exit
Router(config-isis)# exit
Router(config)# mpls ldp
Router(config-ldp)# interface Bundle-Ether25
Router(config-ldp-if)# exit
Router(config-ldp)# exit
Router(config)# vrf vrf1
Router(config-vrf)# address-family ipv4 unicast
Router(config-vrf-af)# import route-target 100:1
Router(config-vrf-af)# export route-target 100:1
Router(config-vrf-af)# exit
Router(config-vrf)# address-family ipv6 unicast
Router(config-vrf-af)# import route-target 100:1
Router(config-vrf-af)# export route-target 100:1
Router(config-vrf-af)# commit

```

Running Configuration

This section shows the running configuration of Inter-AS Option B for L3VPN.

The following is the running configuration of PE1:

```

interface Loopback0
  ipv4 address 192.168.255.2/32
  ipv6 address 50:50:50::50/128
!
interface Bundle-Ether25
  description interface to R4
  ipv4 address 172.16.0.1 255.240.0.0
!
!
router isis access
  is-type level-1
  net 49.0001.0000.0000.0050.00
  nsr
  nsf ietf
  log adjacency changes
  address-family ipv4 unicast
  metric-style wide
!
interface Bundle-Ether25
  point-to-point
  address-family ipv4 unicast
!
!
interface Loopback0
  point-to-point
  address-family ipv4 unicast
!

```

```

!
!
mpls ldp
 interface Bundle-Ether25
!
!

vrf vrf1
 address-family ipv4 unicast
  import route-target 100:1
  !
  export route-target 100:1
  !
!
 address-family ipv6 unicast
  import route-target 100:1
  !
  export route-target 100:1
  !
!
!
router bgp 65000
 nsr
  bgp router-id 192.168.255.2
  bgp graceful-restart
  address-family vpnv4 unicast
  !
  address-family vpnv6 unicast
  !
  neighbor 10.10.10.10
  remote-as 65000
  update-source Loopback0
  address-family vpnv4 unicast
  maximum-prefix 4500000 90
  !
  address-family vpnv6 unicast
  maximum-prefix 4500000 90
  !
!
vrf vrf1
 rd 100:1
  bgp router-id 192.168.255.2
  address-family ipv4 unicast
  label mode per-vrf
  redistribute connected
  !
  address-family ipv6 unicast
  label mode per-vrf
  redistribute connected
  !
  neighbor 150.1.1.2
  remote-as 501
  address-family ipv4 unicast
  route-policy pass-all in
  route-policy pass-all out
  !
!
  neighbor 150:1:1::2
  remote-as 501
  address-family ipv6 unicast
  route-policy pass-all in
  route-policy pass-all out
  !

```

```
!
!
```

The following is the running configuration of P1:

```
interface Loopback0
  ipv4 address 172.16.0.1 255.255.255.255
!
interface Bundle-Ether12
  description interface to ASBR1
  ipv4 address 10.20.1.2 255.240.0.0
!
interface Bundle-Ether25
  description interface to R50
  ipv4 address 20.50.1.1 255.240.0.0
!
router isis core
  is-type level-1
  net 49.0001.0000.0000.0020.00
  nsr
  nsf ietf
  log adjacency changes
  address-family ipv4 unicast
  metric-style wide
!
interface Bundle-Ether12
  point-to-point
  address-family ipv4 unicast
!
!
interface Bundle-Ether25
  point-to-point
  address-family ipv4 unicast
!
!
interface Loopback0
  point-to-point
  address-family ipv4 unicast
!
!
!
mpls ldp
  nsr
  interface Bundle-Ether12
  !
  interface Bundle-Ether25
  !
!
```

The following is the running configuration of ASBR1:

```
interface Loopback0
  ipv4 address 10.10.10.10 255.255.255.255
  ipv6 address 10:10:10::10/128
!
interface Bundle-Ether12
  description interface to 172.16.0.1
  ipv4 address 10.20.1.1 255.240.0.0
  monitor-session Test ethernet port-level
!
!
interface Bundle-Ether11
```

```

description interface to ASBR2
ipv4 address 10.1.0.1 255.255.255.0
!
router isis core
is-type level-1
net 49.0001.0000.0000.0010.00
nsr
nsf ietf
log adjacency changes
address-family ipv4 unicast
metric-style wide
!
interface Bundle-Ether12
point-to-point
address-family ipv4 unicast
!
!
interface Loopback0
point-to-point
address-family ipv4 unicast
!
!
!
mpls ldp
nsr
interface Bundle-Ether12
!
!

router bgp 65000
nsr
bgp router-id 10.10.10.10
bgp graceful-restart
address-family vpnv4 unicast
label mode per-nexthop-received-label
retain route-target all
!
address-family vpnv6 unicast
label mode per-nexthop-received-label
retain route-target all
!
neighbor 10.0.0.1
remote-as 65001
ebgp-multihop 2
update-source Loopback0
address-family vpnv4 unicast
route-policy pass-all in
maximum-prefix 4500000 90
route-policy pass-all out
!
address-family vpnv6 unicast
route-policy pass-all in
maximum-prefix 4500000 90
route-policy pass-all out
!
!
neighbor 192.168.255.2
remote-as 65000
update-source Loopback0
address-family vpnv4 unicast
maximum-prefix 4500000 90
next-hop-self
!

```

```

address-family vpnv6 unicast
  maximum-prefix 4500000 90
  next-hop-self
!
!
!
router static
address-family ipv4 unicast
  10.0.0.1/32 Bundle-Ether11 10.1.0.2
!
!

```

The following is the running configuration of ASBR2:

```

interface Loopback0
  ipv4 address 10.0.0.1 255.255.255.255
  ipv6 address 1::1::1/128
!
interface Bundle-Ether12
  description interface to P2
  ipv4 address 1.2.1.1 255.240.0.0
!
interface Bundle-Ether11
  description interface to ASBR1
  ipv4 address 10.1.0.2 255.255.255.0
!
router isis core
  is-type level-1
  net 49.0001.0000.0000.0001.00
  nsr
  distribute link-state
  nsf ietf
  log adjacency changes
  address-family ipv4 unicast
    metric-style wide
  !
  interface Bundle-Ether12
    point-to-point
    address-family ipv4 unicast
  !
  !
  interface Loopback0
    point-to-point
    address-family ipv4 unicast
  !
  !
!
mpls ldp
  interface Bundle-Ether12
  !
!

router bgp 65001
  nsr
  bgp router-id 10.0.0.1
  bgp graceful-restart
  address-family ipv4 unicast
  !
  address-family vpnv4 unicast
    label mode per-nexthop-received-label
    retain route-target all
  !
  address-family vpnv6 unicast
    label mode per-nexthop-received-label

```

```

    retain route-target all
  !
  neighbor 5.5.5.5
  remote-as 65001
  update-source Loopback0
  address-family vpnv4 unicast
  next-hop-self
  !
  address-family vpnv6 unicast
  next-hop-self
  !
  !
  neighbor 10.10.10.10
  remote-as 65000
  ebgp-multihop 2
  update-source Loopback0
  address-family vpnv4 unicast
  route-policy pass-all in
  maximum-prefix 4500000 90
  route-policy pass-all out
  !
  address-family vpnv6 unicast
  route-policy pass-all in
  maximum-prefix 4500000 90
  route-policy pass-all out
  !
  !
router static
  address-family ipv4 unicast
  10.10.10.10/32 Bundle-Ether11 10.1.0.1
  !

```

The following is the running configuration of P2:

```

interface Loopback0
  ipv4 address 2.2.2.2 255.255.255.255
  !
interface Bundle-Ether12
  description interface towards ASBR2
  ipv4 address 1.2.1.2 255.240.0.0
  !
interface Bundle-Ether25
  description interface towards PE2
  ipv4 address 2.5.1.1 255.240.0.0
  !

router isis core
  is-type level-1
  net 49.0001.0000.0000.0002.00
  nsr
  nsf ietf
  log adjacency changes
  address-family ipv4 unicast
  metric-style wide
  !
interface Bundle-Ether12
  point-to-point
  address-family ipv4 unicast
  !
  !
interface Bundle-Ether25

```

```

point-to-point
address-family ipv4 unicast
!
!
interface Loopback0
point-to-point
address-family ipv4 unicast
!
!
!
mpls ldp
interface Bundle-Ether12
!
interface Bundle-Ether25
!
!

```

The following is the running configuration of PE2:

```

router bgp 65001
nsr
bgp router-id 192.168.255.12
bgp graceful-restart
address-family vpnv4 unicast
!
address-family vpnv6 unicast
!
neighbor 10.0.0.1
remote-as 65001
update-source Loopback0
address-family vpnv4 unicast
maximum-prefix 4500000 90
!
address-family vpnv6 unicast
maximum-prefix 4500000 90
!
!
vrf vrf1
rd 100:1
bgp router-id 192.168.255.12
address-family ipv4 unicast
label mode per-vrf
redistribute connected
!
address-family ipv6 unicast
label mode per-vrf
redistribute connected
!
neighbor 105.1.1.2
remote-as 501
address-family ipv4 unicast
route-policy pass-all in
route-policy pass-all out
!
!
neighbor 105:1:1::2
remote-as 501
address-family ipv6 unicast
route-policy pass-all in
route-policy pass-all out
!

```

```

!
!

interface TenGigE0/0/0/30.1
 vrf vrf1
 ipv4 address 105.1.1.1 255.240.0.0
 ipv6 address 105:1:1::1/96
 encapsulation dot1q 1
!

interface Loopback0
 ipv4 address 5.5.5.5 255.255.255.255
 ipv6 address 5:5:5::5/128
!

router isis access
 is-type level-1
 net 49.0001.0000.0000.0005.00
 nsr
 nsf ietf
 log adjacency changes
 address-family ipv4 unicast
 metric-style wide
!
interface Bundle-Ether25
 point-to-point
 address-family ipv4 unicast
!
!
interface Loopback0
 point-to-point
 address-family ipv4 unicast
!
!
!

mpls ldp
 interface Bundle-Ether25
!
!

vrf vrf1
 address-family ipv4 unicast
 import route-target
 100:1
!
 export route-target
 100:1
!
!
 address-family ipv6 unicast
 import route-target
 100:1
!
 export route-target
 100:1

```

Verification

Verification on PE1.

L3VPN route 202.1.0.0/24 is learned through iBGP from ASBR1 on PE1 over address family VPNv4 unicast.


```

Router:PE1# show route vrf vrf1
Sun Jun  6 23:08:38.433 UTC

Codes: C - connected, S - static, R - RIP, B - BGP, (>) - Diversion path
       D - EIGRP, EX - EIGRP external, O - OSPF, IA - OSPF inter area
       N1 - OSPF NSSA external type 1, N2 - OSPF NSSA external type 2
       E1 - OSPF external type 1, E2 - OSPF external type 2, E - EGP
       i - ISIS, L1 - IS-IS level-1, L2 - IS-IS level-2
       ia - IS-IS inter area, su - IS-IS summary null, * - candidate default
       U - per-user static route, o - ODR, L - local, G - DAGR, l - LISP
       A - access/subscriber, a - Application route
       M - mobile route, r - RPL, t - Traffic Engineering, (!) - FRR Backup path

```

Gateway of last resort is not set

```

B   105.1.1.0/24 [200/0] via 10.10.10.10 (nexthop in vrf default), 00:04:43
C   150.1.1.0/24 is directly connected, 01:14:27, TenGigE0/0/0/22/0.1
L   150.1.1.1/32 is directly connected, 01:14:27, TenGigE0/0/0/22/0.1
B   202.1.0.0/24 [200/0] via 10.10.10.10 (nexthop in vrf default), 00:00:08
B   202.1.1.0/24 [200/0] via 10.10.10.10 (nexthop in vrf default), 00:00:08

```

The following output shows that you can reach 202.1.0.0/24 using a VPN label of 24521. The next hop for the VPNv4 prefix decides the transport label as well as the label switched path.

```

Router:PE1# show bgp vpnv4 unicast rd 100:1 202.1.0.0/24
Sun Jun  6 23:12:12.140 UTC
BGP routing table entry for 202.1.0.0/24, Route Distinguisher: 100:1
Versions:
  Process          bRIB/RIB   SendTblVer
  Speaker          2844      2844
Last Modified: Jun  6 23:08:30.194 for 00:03:42
Paths: (1 available, best #1)
  Not advertised to any peer
  Path #1: Received by speaker 0
  Not advertised to any peer
  200 501
    10.10.10.10 (metric 30) from 10.10.10.10 (10.10.10.10)
      Received Label 24521
      Origin IGP, localpref 100, valid, internal, best, group-best, import-candidate,
imported
      Received Path ID 0, Local Path ID 1, version 2844
      Extended community: RT:100:1
      Source AFI: VPNv4 Unicast, Source VRF: vrf1, Source Route Distinguisher: 100:1

```

```

Router:PE1# show cef vrf vrf1 202.1.0.0
Mon Jun  7 02:07:39.841 UTC
202.1.0.0/24, version 513583, internal 0x5000001 0x30 (ptr 0xa3f8bac8) [1], 0x0 (0x0), 0x208
(0x8f505928)
Updated Jun  7 01:50:33.710
Prefix Len 24, traffic index 0, precedence n/a, priority 3
gateway array (0x8f2d20e8) reference count 252, flags 0x2038, source rib (7), 0 backups
[1 type 1 flags 0x48441 (0x8ad86708) ext 0x0 (0x0)]
LW-LDI[type=0, refc=0, ptr=0x0, sh-ldi=0x0]
gateway array update type-time 1 Jun  6 23:20:45.951
LDI Update time Jun  6 23:20:45.951
via 10.10.10.10/32, 5 dependencies, recursive [flags 0x6000]
path-idx 0 NHID 0x0 [0xa25ff9d8 0x0]
recursion-via-/32
next hop VRF - 'default', table - 0xe0000000
next hop 10.10.10.10/32 via 24003/0/21
next hop 20.50.1.1/32 BE25          labels imposed {24004 24521}

```

```
Load distribution: 0 (refcount 1)
```

```
Hash OK Interface Address
0 Y recursive 24003/0
```

The following output shows the transport label information to reach 202.1.0.0/24.

```
Router:PE1# show mpls forwarding prefix 10.10.10.10/32
```

```
Mon Jun 7 02:06:40.845 UTC
Local Outgoing Prefix Outgoing Next Hop Bytes
Label Label or ID Interface Interface Switched
-----
24003 24004 10.10.10.10/32 BE25 20.50.1.1 141107
-----
```

```
Router:PE1# show cef vrf vrf1 202.1.0.0
```

```
Mon Jun 7 02:07:39.841 UTC
202.1.0.0/24, version 513583, internal 0x5000001 0x30 (ptr 0xa3f8bac8) [1], 0x0 (0x0), 0x208
(0x8f505928)
Updated Jun 7 01:50:33.710
Prefix Len 24, traffic index 0, precedence n/a, priority 3
gateway array (0x8f2d20e8) reference count 252, flags 0x2038, source rib (7), 0 backups
[1 type 1 flags 0x48441 (0x8ad86708) ext 0x0 (0x0)]
LW-LDI[type=0, refc=0, ptr=0x0, sh-ldi=0x0]
gateway array update type-time 1 Jun 6 23:20:45.951
LDI Update time Jun 6 23:20:45.951
via 10.10.10.10/32, 5 dependencies, recursive [flags 0x6000]
path-idx 0 NHID 0x0 [0xa25ff9d8 0x0]
recursion-via-/32
next hop VRF - 'default', table - 0xe0000000
next hop 10.10.10.10/32 via 24003/0/21
next hop 20.50.1.1/32 BE25 labels imposed {24004 24521}

Load distribution: 0 (refcount 1)

Hash OK Interface Address
0 Y recursive 24003/0
```

Verification on P1.

P1 performs a PHP operation for transport label and exposes the VPN label before forwarding the traffic to next-hop 10.10.10.10.

```
Router:P1#d show mpls forwarding prefix 10.10.10.10/32
```

```
Mon Jun 7 02:34:55.293 UTC
Local Outgoing Prefix Outgoing Next Hop Bytes
Label Label or ID Interface Interface Switched
-----
24004 Pop 10.10.10.10/32 BE12 10.20.1.1 28804
-----
```

Verification on ASBR1.

ASBR1 learns the remote route 202.1.0.0/24 from ASBR2 through address-family VPNv4 unicast. The next hop is the ASBR2 loopback0.

After receiving this update, it is advertised to the local PE1 through iBGP address-family VPNv4 unicast. The next-hop-self configuration is used on ASBR1 since it is reachable through IGP from PE1, so the next hop is changed to itself. The traffic arrives from PE1 with a label 24521 and is swapped with label 25516 before forwarding it to ASBR2.

```

Router:ASBR1# show bgp vpnv4 unicast rd 100:1 202.1.0.0
Sun Jun  6 19:28:09.018 EDT
BGP routing table entry for 202.1.0.0/24, Route Distinguisher: 100:1
Versions:
  Process          bRIB/RIB   SendTblVer
  Speaker          1002022   1002022
    Local Label: 24521

Paths: (1 available, best #1)
  Advertised to update-groups (with more than one peer):
    0.3
  Path #1: Received by speaker 0
  Advertised to update-groups (with more than one peer):
    0.3
  200 501
    10.0.0.1 from 10.0.0.1 (10.0.0.1)
      Received Label 25516
      Origin IGP, localpref 100, valid, external, best, group-best, import-candidate,
not-in-vrf
      Received Path ID 0, Local Path ID 1, version 1002022
      Extended community: RT:100:1

Router:ASBR1# show bgp vpnv4 unicast rd 100:1 advertised neighbor 192.168.255.2 summary

```

Network	Next Hop	From	AS Path
Route Distinguisher: 100:1			
105.1.1.0/24	10.10.10.10	10.0.0.1	200?
202.1.0.0/24	10.10.10.10	10.0.0.1	200 501i
202.1.1.0/24	10.10.10.10	10.0.0.1	200 501i

Processed 3 prefixes, 3 paths

```

Router:ASBR1# show mpls forwarding labels 24521
Sun Jun  6 23:05:49.323 EDT
Local  Outgoing  Prefix          Outgoing      Next Hop      Bytes
Label  Label       or ID          Interface     Interface     Switched
-----
24521  25516   100:1:202.1.0.0/24          10.1.0.1      0
-----

```

Verification on ASBR2.

The prefix 202.1.0.0/24 is received through iBGP address-family VPNv4 unicast from PE2 with a label of 24002. ASBR2 assigns it a local label of 25516 and advertises it to ASBR1 through eBGP vpnv4 address-family changing the next hop to itself. This local label of 25516 is used by the ASBR1 to forward traffic to ASBR2, which in turn swaps it with a VPN label of 24002 before forwarding it to the next hop.

```

Router:ASBR2# show bgp vpnv4 unicast rd 100:1 202.1.0.0
Sun Jun  6 23:06:32.812 EDT
BGP routing table entry for 202.1.0.0/24, Route Distinguisher: 100:1
Versions:
  Process          bRIB/RIB   SendTblVer
  Speaker          16194881  16194881
    Local Label: 25516
    Gateway Array ID: 21940, Resilient per-PE nexthop set ID: 19598

Paths: (1 available, best #1)
  Advertised to update-groups (with more than one peer):
    0.3
  Path #1: Received by speaker 0

```

```

Advertised to update-groups (with more than one peer):
  0.3
501
  5.5.5.5 (metric 30) from 5.5.5.5 (5.5.5.5)
Received Label 24002
  Origin IGP, localpref 100, valid, internal, best, group-best, import-candidate,
not-in-vrf
  Received Path ID 0, Local Path ID 1, version 16194881
  Extended community: RT:100:1

```

```

Router:ASBR2# show bgp vpnv4 unicast rd 100:1 advertised neighbor 10.10.10.10 summary
Sun Jun  6 23:07:05.617 EDT
Network          Next Hop          From              AS Path
Route Distinguisher: 100:1
105.1.1.0/24     10.0.0.1          5.5.5.5           200?
150.1.1.0/24     10.0.0.1          10.10.10.10       200 100?
202.1.0.0/24     10.0.0.1          5.5.5.5           200 501i
202.1.1.0/24     10.0.0.1          5.5.5.5           200 501i

```

Processed 4 prefixes, 4 paths

```

Router:ASBR2# show mpls forwarding labels 25516
Sun Jun  6 23:07:32.394 EDT
Local  Outgoing  Prefix          Outgoing      Next Hop      Bytes
Label  Label       or ID          Interface     Interface     Switched
-----
25516  24002      No ID          5.5.5.5       5.5.5.5       654
-----

```

Verification on P2.

P2 is along the transit path of the traffic. It label switches or pop the transport label. In this example, PHP operation is performed and exposes the VPN label before forwarding the traffic.

```

Router:P2# show mpls forwarding prefix 5.5.5.5/32
Mon Jun  7 03:09:11.532 UTC
Local  Outgoing  Prefix          Outgoing      Next Hop      Bytes
Label  Label       or ID          Interface     Interface     Switched
-----
24005  Pop       5.5.5.5/32     BE25          2.5.1.2       11921958
-----

```

Verification on PE2.

L3VPN route 202.1.0.0/24 is learned from eBGP neighbor 105.1.1.2 (CE2 interface towards PE2) in vrf1.

```

Router:PE2# show route vrf vrf1

```

```

Codes: C - connected, S - static, R - RIP, B - BGP, (>) - Diversion path
D - EIGRP, EX - EIGRP external, O - OSPF, IA - OSPF inter area
N1 - OSPF NSSA external type 1, N2 - OSPF NSSA external type 2
E1 - OSPF external type 1, E2 - OSPF external type 2, E - EGP
i - ISIS, L1 - IS-IS level-1, L2 - IS-IS level-2
ia - IS-IS inter area, su - IS-IS summary null, * - candidate default
U - per-user static route, o - ODR, L - local, G - DAGR, l - LISP
A - access/subscriber, a - Application route
M - mobile route, r - RPL, t - Traffic Engineering, (!) - FRR Backup path

```

Gateway of last resort is not set

```

C    105.1.1.0/24 is directly connected, 6w4d, TenGigE0/0/0/30.1
L    105.1.1.1/32 is directly connected, 6w4d, TenGigE0/0/0/30.1
B    150.1.1.0/24 [200/0] via 10.0.0.1 (nexthop in vrf default), 03:58:16

```

```
B 160.1.0.0/24 [200/0] via 10.0.0.1 (nexthop in vrf default), 04:30:07
B 202.1.0.0/24 [20/0] via 105.1.1.2, 01:30:05
B 202.1.1.0/24 [20/0] via 105.1.1.2, 01:30:05
```

The route 202.1.0.0/24 gets installed in VRF1 with a local label of 24002 and then advertised through iBGP address-family VPNv4 unicast to ASBR2 changing the next hop to itself. ASBR2 adds this VPN label before forwarding it to PE2.

```
Router:PE2# show bgp vpnv4 unicast rd 100:1 202.1.0.0
```

```
BGP routing table entry for 202.1.0.0/24, Route Distinguisher: 100:1
Versions:
  Process          bRIB/RIB  SendTblVer
  Speaker          1070062   1070062
  Local Label: 24002
Last Modified: Jun  7 01:30:56.657 for 01:31:29
Paths: (1 available, best #1)
  Advertised to peers (in unique update groups):
    10.0.0.1
  Path #1: Received by speaker 0
  Advertised to peers (in unique update groups):
    10.0.0.1
501
105.1.1.2 from 105.1.1.2 (194.0.0.1)
  Origin IGP, localpref 100, valid, external, best, group-best, import-candidate
  Received Path ID 0, Local Path ID 1, version 1070062
  Extended community: RT:100:1
```

The traffic that arrives from PE2 with a VPN label of 24002 is assigned an outgoing label 'aggregate', which means that the lookup is to be performed in vrf1 RIB to forward it to the next hop on 150.1.1.2.

```
Router:PE2# show mpls forwarding labels 24002
```

```
Mon Jun  7 03:02:53.255 UTC
Local  Outgoing  Prefix          Outgoing      Next Hop      Bytes
Label  Label       or ID          Interface     Next Hop      Switched
-----
24002  Aggregate   vrf1: Per-VRF Aggr[V]  \
                                         vrf1          138
-----
```

```
Router:PE2# show cef vrf vrf1 202.1.0.0
```

```
Mon Jun  7 03:04:08.268 UTC
202.1.0.0/24, version 3477, internal 0x1000001 0x30 (ptr 0x97f75328) [1], 0x0 (0x0), 0x0 (0x0)
Updated Jun  7 01:30:57.120
Prefix Len 24, traffic index 0, precedence n/a, priority 3
gateway array (0x8c820f38) reference count 2, flags 0x2010, source rib (7), 0 backups
  [1 type 3 flags 0x48441 (0x8a79cd88) ext 0x0 (0x0)]
LW-LDI[type=0, refc=0, ptr=0x0, sh-ldi=0x0]
gateway array update type-time 1 Jun  7 01:30:57.120
LDI Update time Jun  7 01:30:57.120

Level 1 - Load distribution: 0
[0] via 105.1.1.2/32, recursive

via 105.1.1.2/32, 3 dependencies, recursive, bgp-ext [flags 0x6020]
path-idx 0 NHID 0x0 [0x8d575b80 0x0]
next hop 105.1.1.2/32 via 105.1.1.2/32
```

```

Load distribution: 0 (refcount 1)

Hash  OK  Interface                Address
0     Y   TenGigE0/0/0/30.1         105.1.1.2

```

Carrier Supporting Carrier for L3VPN

Table 3: Feature History Table

Feature Name	Release Information	Feature Description
Carrier Supporting Carrier for L3VPN	Release 7.3.15	This feature enables MPLS VPN-based backbone carriers to allow customer carriers to use a segment of the backbone network. The backbone carrier can accommodate many customer carriers and provide access to the backbone. Customer carriers no longer have to bear the burden of configuring, operating, and maintaining their own backbone.

CSC Concepts

The following terminology is used in the context of Carrier Supporting Carrier (CSC):

backbone carrier—Service provider that provides the segment of the backbone network to the other provider. A backbone carrier offers BGP and MPLS VPN services.

customer carrier—Service provider that uses the segment of the backbone network. The customer carrier may be an Internet service provider (ISP) or a BGP/MPLS VPN service provider.

CSC-CE router—A customer edge router is part of a customer network and interfaces to a CSC provider edge (PE) router. In this document, the CSC-CE router sits on the edge of the customer carrier network.

CSC-PE router—A provider edge router is part of a service provider's network connected to a CSC customer edge (CE) router. In this document, the CSC-PE router sits on the edge of the backbone carrier network.

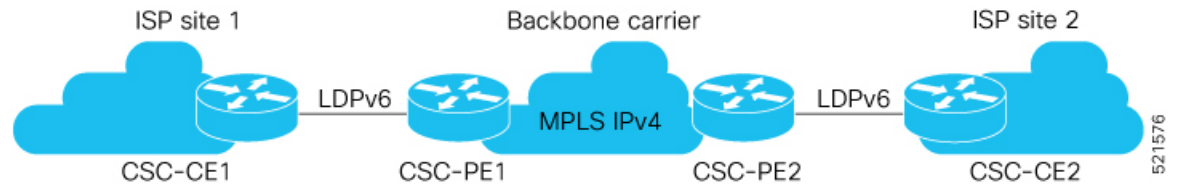
There can be two types of customer carriers:

- An Internet service provider (ISP)
- A BGP/MPLS VPN service provider

Customer Carrier: ISP with MPLS Core

The following topology shows a network configuration where the customer carrier is an ISP. The customer carrier has two sites, each of which is a point of presence (POP). The customer carrier connects these sites using a VPN service provided by the backbone carrier. The backbone carrier uses MPLS to provide VPN services. The ISP sites use MPLS.

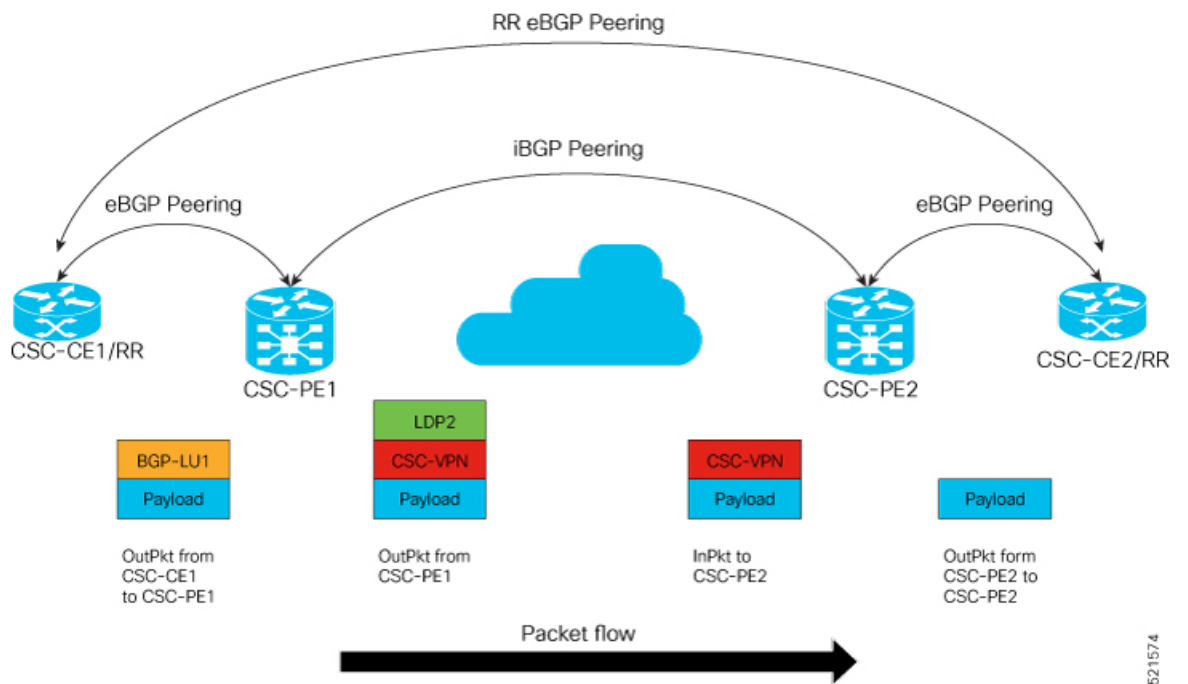
Figure 8: Customer Carrier Is an ISP



The links between the CE and PE routers use eBGP to distribute IPv4 routes and MPLS labels. Between the links, the PE routers use multiprotocol iBGP to distribute VPNv4 routes.

MPLS Single-Label Packet Flow into CSC-CE (CSC-CE/RR eBGP Peering)

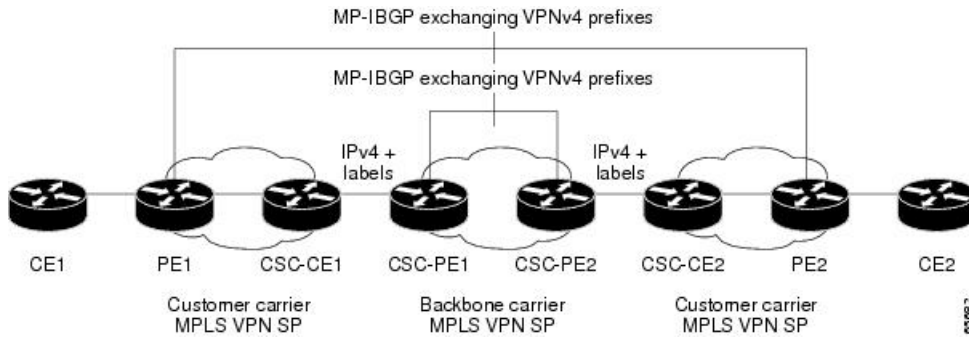
The following illustration shows how the packet flows into CSC-CE.



Customer Carrier: MPLS Service Provider

The following topology shows a network configuration where the backbone carrier and the customer carrier are BGP/MPLS VPN service providers. The customer carrier has two sites. The customer carrier uses MPLS in its network while the backbone carrier may use MPLS or IP tunnels in its network.

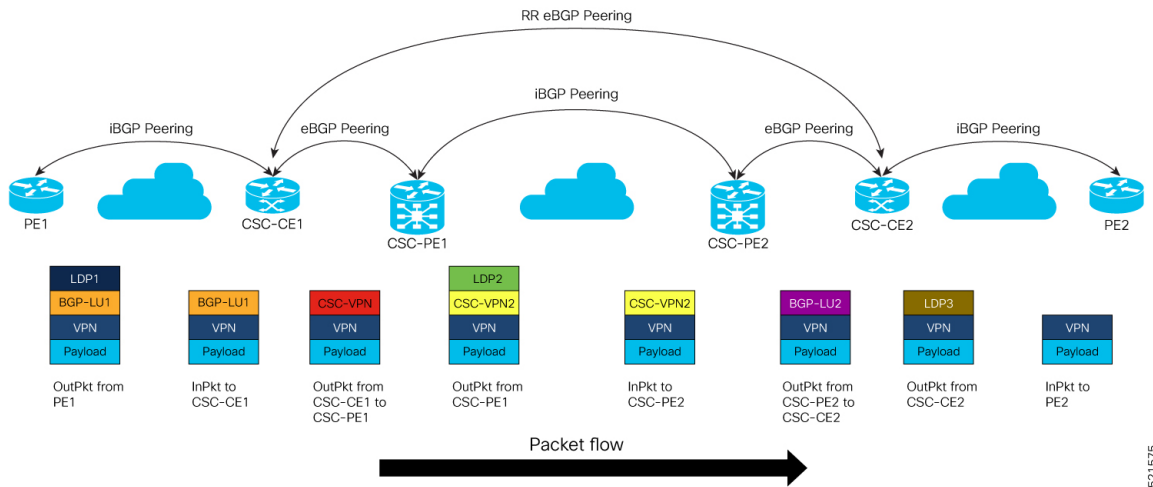
Figure 9: Customer Carrier is an MPLS VPN Service Provider



Customer Carrier is an MPLS VPN service provider, the customer carrier can run BGP-LU and LDP in its core network. In this case, the CSC-CE1 router in the customer carrier redistributes the eBGP routes it learns from the CSC-PE1 router of the backbone carrier to an IGP.

MPLS Two-Labels Packet Flow into CSC-CE (CSC-CE/RR BGP Peering)

The following illustration shows how the packet flows into CSC-CE.



CSC Benefits

This section describes the benefits of CSC to the backbone carrier and customer carriers.

Benefits to the Backbone Carrier

- The MPLS VPN carrier supporting carrier feature is scalable.
- The MPLS VPN carrier supporting carrier feature is a flexible solution.

Benefits to the Customer Carriers

- Customer carriers who use the VPN services provided by the backbone carrier receive the same level of security that Frame Relay or ATM-based VPNs provide.

- Customer carriers can use any link layer technology to connect the CE routers to the PE routers.
- The customer carrier can use any addressing scheme and still be supported by a backbone carrier.

Benefits of Implementing MPLS VPN CSC Using BGP

The benefits of using BGP to distribute IPv4 routes and MPLS label routes are:

- BGP takes the place of an IGP and LDP in a VPN forwarding and routing instance (VRF) table.
- BGP is the preferred routing protocol for connecting two ISPs.

Configure Carrier Supporting Carrier for L3VPN

Perform this task on CSC-PE to configure Carrier Supporting Carrier for L3VPN.

Configuration Example

```

Router# configure
Router(config)# route-policy LABEL_ALLOC
Router(config-rpl)# if destination in CSC-Prefix then
Router(config-rpl-if)# set label-mode per-prefix
Router(config-rpl-if)# else
Router(config-rpl-else)# set label-mode per-vrf
Router(config-rpl-else)# endif
Router(config-rpl)# end-policy
Route(config)# router bgp 100
Router(config-bgp)# neighbor-group ebgplu
Router(config-bgp-nbrgrp)# remote-as 200
Router(config-bgp-nbrgrp)# address-family ipv4 labeled-unicast
Router(config-bgp-nbrgrp-af)# multipath
Router(config-bgp-nbrgrp-af)# route-policy pass in
Router(config-bgp-nbrgrp-af)# route-policy deny-l3vpn out
Router(config-bgp-nbrgrp-af)# as-override
Router(config-bgp-nbrgrp-af)# next-hop-self
Router(config-bgp-nbrgrp-af)# site-of-origin 100:1
Router(config-bgp-nbrgrp-af)#exit
Router(config-bgp-nbrgrp)#exit
Router(config-bgp)#exit
Router(config)# router bgp 100
Router(config-bgp)# vrf vpn1
Router(config-bgp-vrf)# rd 1:1
Router(config-bgp-vrf)# address-family ipv4 unicast
Router(config-bgp-vrf-af)# label mode route-policy LABEL_ALLOC
Router(config-bgp-vrf-af)# maximum-paths ebgp 16
Router(config-bgp-vrf-af)# maximum-paths ibgp 16 unequal-cost
Router(config-bgp-vrf-af)# allocate-label route-policy deny-l3vpn
Router(config-bgp-vrf-af)#!
Router(config-bgp-vrf-af)#172.16.0.1
Router(config-bgp-vrf-nbr)# use neighbor-group ebgplu
Router(config-bgp-vrf-nbr)# commit

```

Running Configuration

This section shows the Carrier Supporting Carrier running configuration.

```

route-policy LABEL_ALLOC
  if destination in CSC-Prefix then
    set label-mode per-prefix
  else
    set label-mode per-vrf
  endif
end-policy
!
router bgp 100
neighbor-group ebgplu
  remote-as 200
address-family ipv4 labeled-unicast
  multipath
  route-policy pass in
  route-policy deny-l3vpn out
  as-override
  next-hop-self
  site-of-origin 100:1
!
router bgp 100
vrf vpn1
  rd 1:1
  address-family ipv4 unicast
  label mode route-policy LABEL_ALLOC
  maximum-paths ebgp 16
  maximum-paths ibgp 16 unequal-cost
  allocate-label route-policy deny-l3vpn
!
neighbor 172.16.0.1
  use neighbor-group ebgplu

```

Verification

Verify the Carrier Supporting Carrier configuration.

```

Router:CSC-PE1# show cef vrf vpn1 10.0.0.1 detail
10.0.0.1, version 24, internal 0x1000001 0x30 (ptr 0xaf408058) [1], 0x0 (0x0), 0x208
(0xaebf14e8)
Updated Nov  6 14:56:14.554
Prefix Len 32, traffic index 0, precedence n/a, priority 3
gateway array (0xae8934e0) reference count 3, flags 0x2078, source rib (7), 0 backups
[1 type 5 flags 0x48441 (0xd2a2b1b8) ext 0x0 (0x0)]
LW-LDI[type=0, refc=0, ptr=0x0, sh-ldi=0x0]
gateway array update type-time 1 Nov  6 14:56:14.554
LDI Update time Nov  6 14:56:14.554
via 100.12.1.2/32, 3 dependencies, recursive, bgp-ext, bgp-multipath [flags 0x60a0]
path-idx 0 NHID 0x0 [0xa09e9fa8 0x0]
recursion-via-/32
next hop 100.12.1.2/32 via 100516/0/21
  local label 100927
  next hop 100.12.1.2/32 Hu0/0/0/5.1 labels imposed {ImplNull 200013}
via 100.12.101.2/32, 3 dependencies, recursive, bgp-ext, bgp-multipath [flags 0x60a0]
path-idx 1 NHID 0x0 [0xa09ealb8 0x0]
recursion-via-/32
next hop 100.12.101.2/32 via 100520/0/21
  local label 100927
  next hop 100.12.101.2/32 BE12.1 labels imposed {ImplNull 200013}
Load distribution: 0 1 (refcount 1)
Hash OK Interface Address
0 Y recursive 100516/0
1 Y recursive 100520/0
-----

```

```
Router:CSC-CE2# show cef 10.0.0.1 detail
10.0.0.1 , version 47069, internal 0x1000001 0x30 (ptr 0x89638750) [1], 0x0 (0x8a815198),
0xa28 (0xa9434690)
  Updated Nov  6 10:35:47.662
  local adjacency to HundredGigE0/0/0/1.1

Prefix Len 32, traffic index 0, precedence n/a, priority 3
  gateway array (0x8a643108) reference count 3, flags 0x68, source lsd (5), 1 backups
    [2 type 5 flags 0x8401 (0xa9479a48) ext 0x0 (0x0)]
  LW-LDI[type=5, refc=3, ptr=0x8a815198, sh-ldi=0xa9479a48]
  gateway array update type-time 1 Nov  6 10:35:47.662
  LDI Update time Nov  6 10:35:47.662
  LW-LDI-TS Nov  6 10:35:47.662
  via 100.25.1.5/32, HundredGigE0/0/0/1.1, 3 dependencies, weight 0, class 0 [flags 0x0]
  path-idx 0 NHID 0x0 [0x8ac12a48 0x0]
  next hop 100.25.1.5/32
  local adjacency
    local label 200013          labels imposed {ExpNullv4}

Load distribution: 0 (refcount 2)

Hash  OK  Interface          Address
0     Y   HundredGigE0/0/0/1.1  100.25.1.5
```

